

# Pakistan Engineering Industry

Manufacturer of Radiator Core & Assembly

Copper Brass Radiator Catalogue 2025-2026

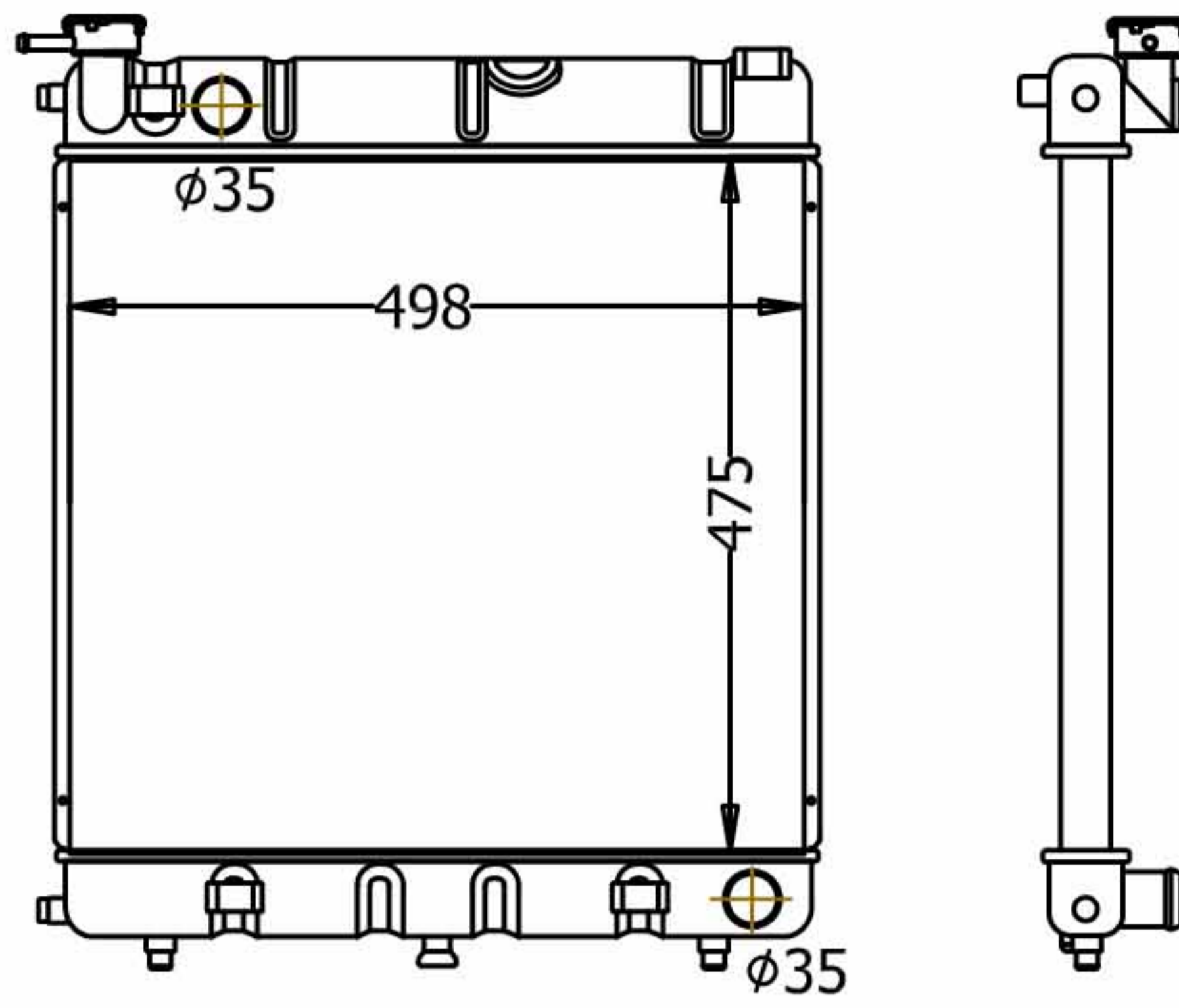
# Index

---

BENZ(17xxx)	BE.1-2
MITSUBISHI(14xxx)	MI.1-10
TOYOTA(12xxx)	TO.1-34
NISSAN(15xxx)	NI.1-6
ISUZU(13xxx)	IS.1-14
GM(32xxx)	GM.1-4
GUOCHAN(10xxx)	GU.1-6
CUMMINS(19xxx)	EQ.1-4
HYUNDAI(21xxx)	HY.1-4
FARM(23xxx)	TR.1-6
BUS(51xxx)	BUS.1-4
FORK(63xxx)	FORK.1-4
GENERATOR(80xxx)	GE.1-4
HARVESTER(90xxx)	HA.1-2
MAZDA(27xxx)	MA.1-4
HOND(11xxx)	HO.1-2
SCANIA(16xxx)	SC.1-2

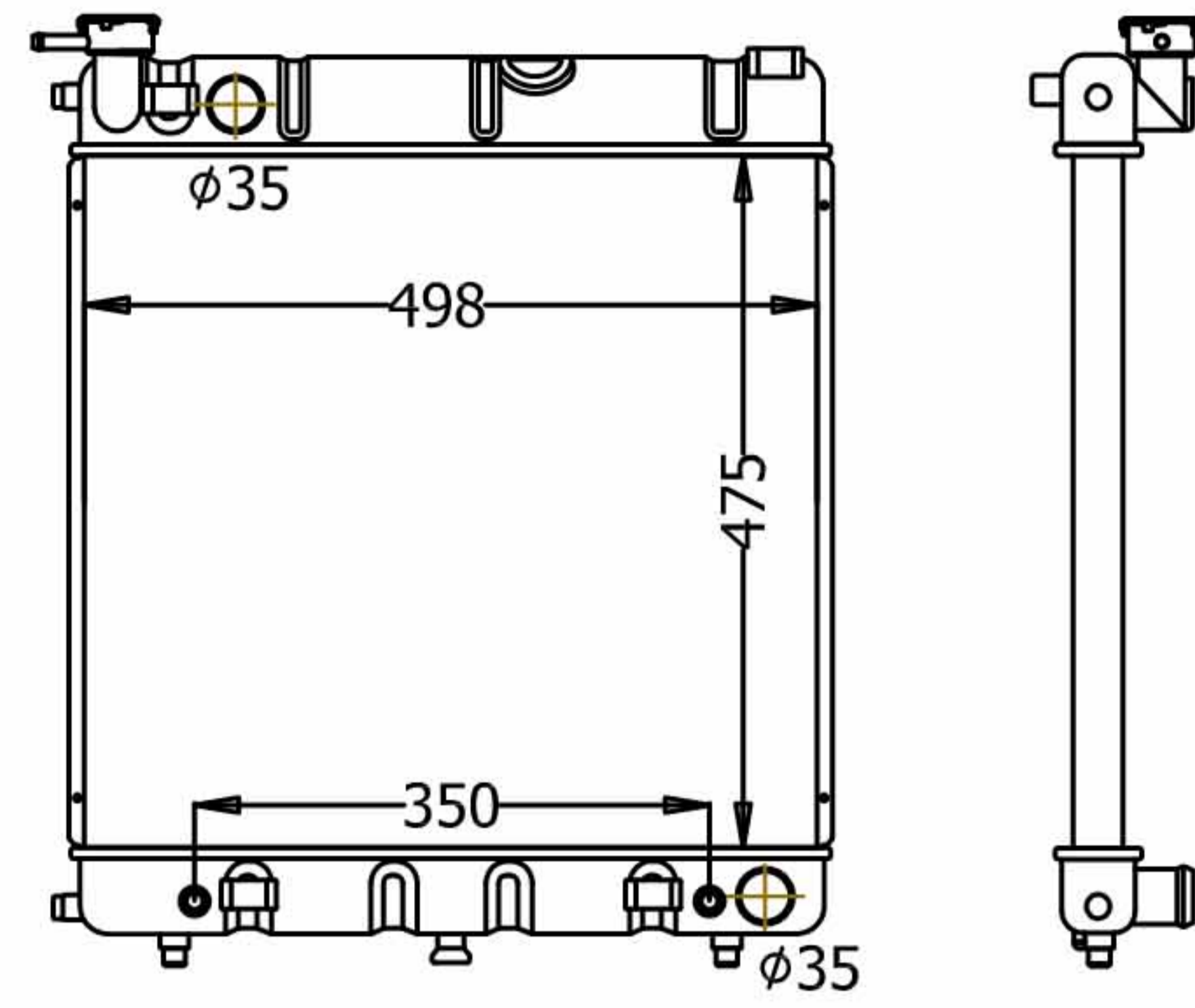
# BENZ

BE-17001



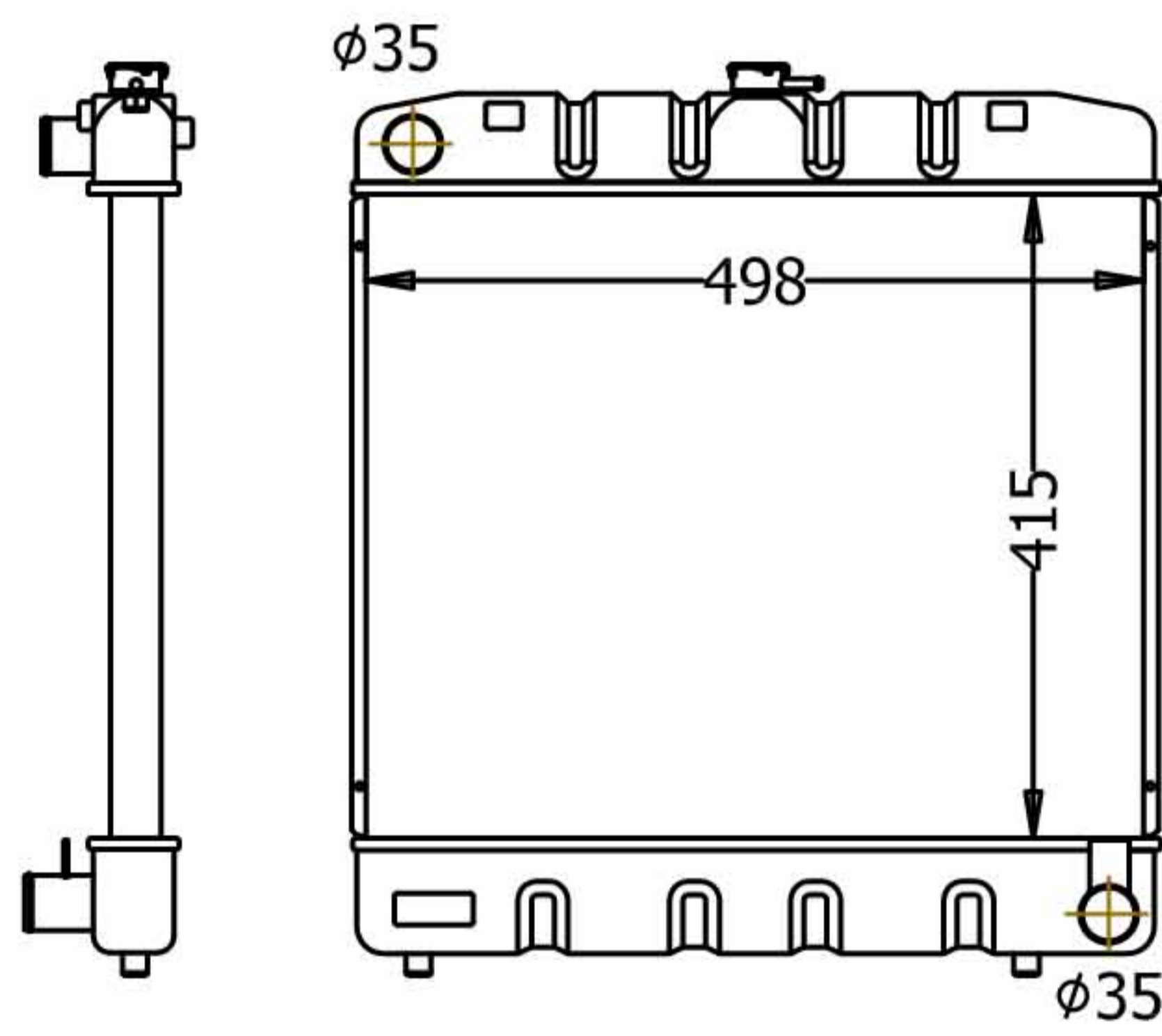
CARTYPE :BENZ 410D 86-96 MT  
CORE SIZE : BC : 475\*498\*48 TANK SIZE :61.8\*525  
CARTON :  
OEM :6015005103/6503/7003/78003  
DPI : NISSENS:62635

BE-17002



CARTYPE :BENZ 410D 86-96 AT  
CORE SIZE : BC : 475\*498\*48 TANK SIZE :61.8\*525  
CARTON :  
OEM :  
DPI : NISSENS:

BE-17003



CARTYPE :BENZ 123-250 77-85 MT  
CORE SIZE :BC :415\*498\*48 TANK SIZE :61.8\*525  
CARTON:  
OEM :1235010201  
DPI : NISSENS:

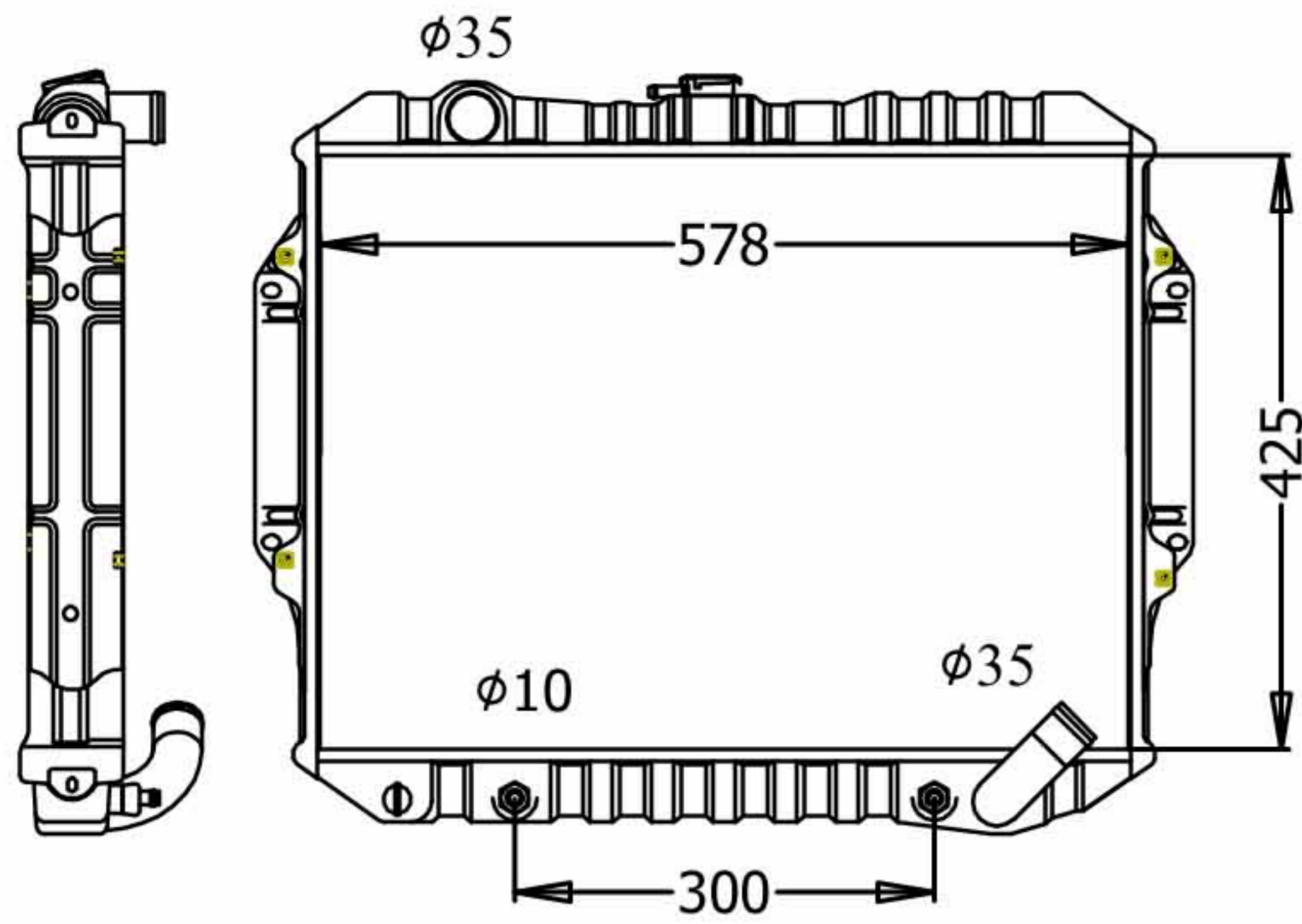
BE-17004

BE-17005

BE-17006

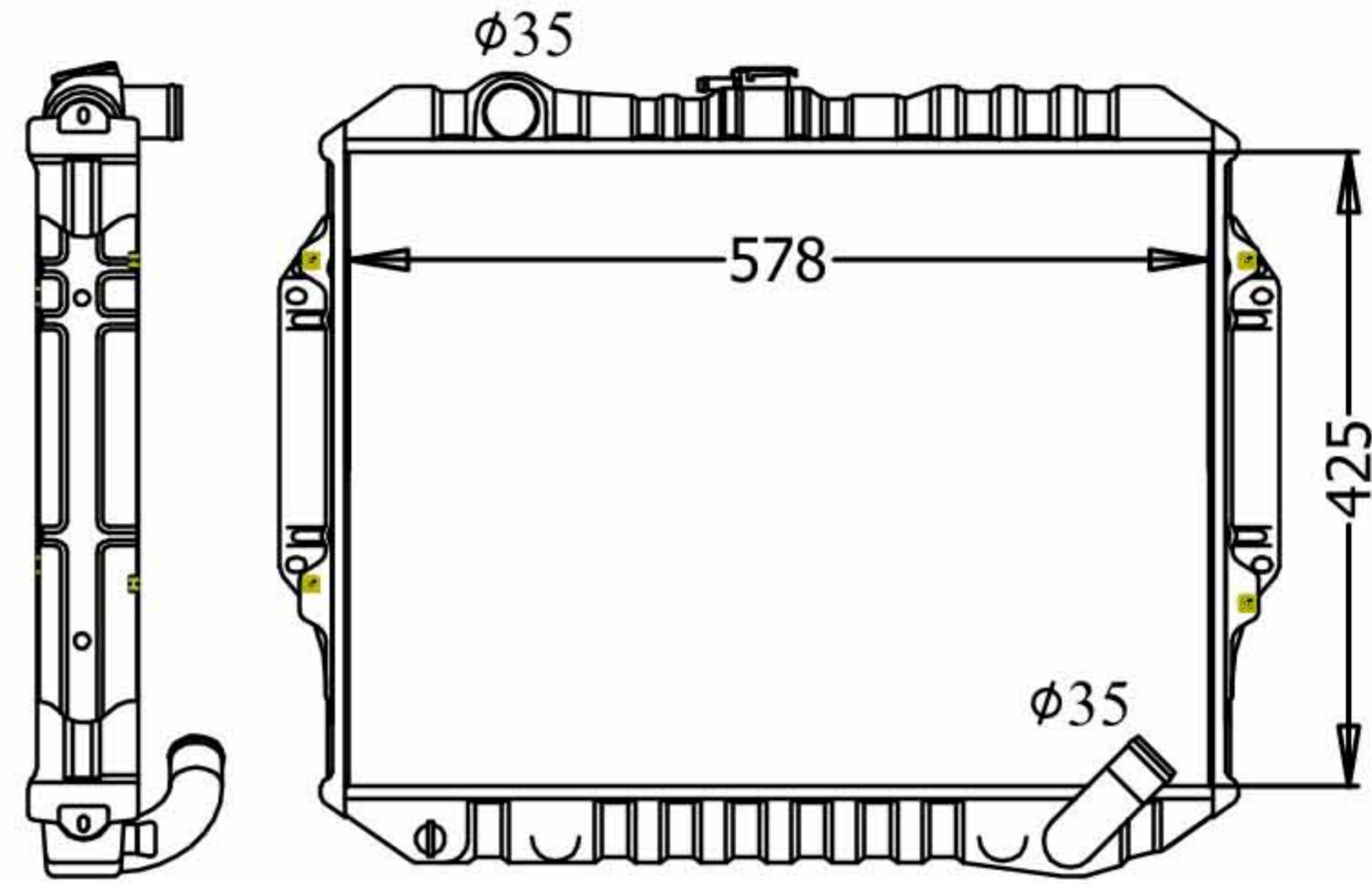
# MITSUBISHI

## MI-14001



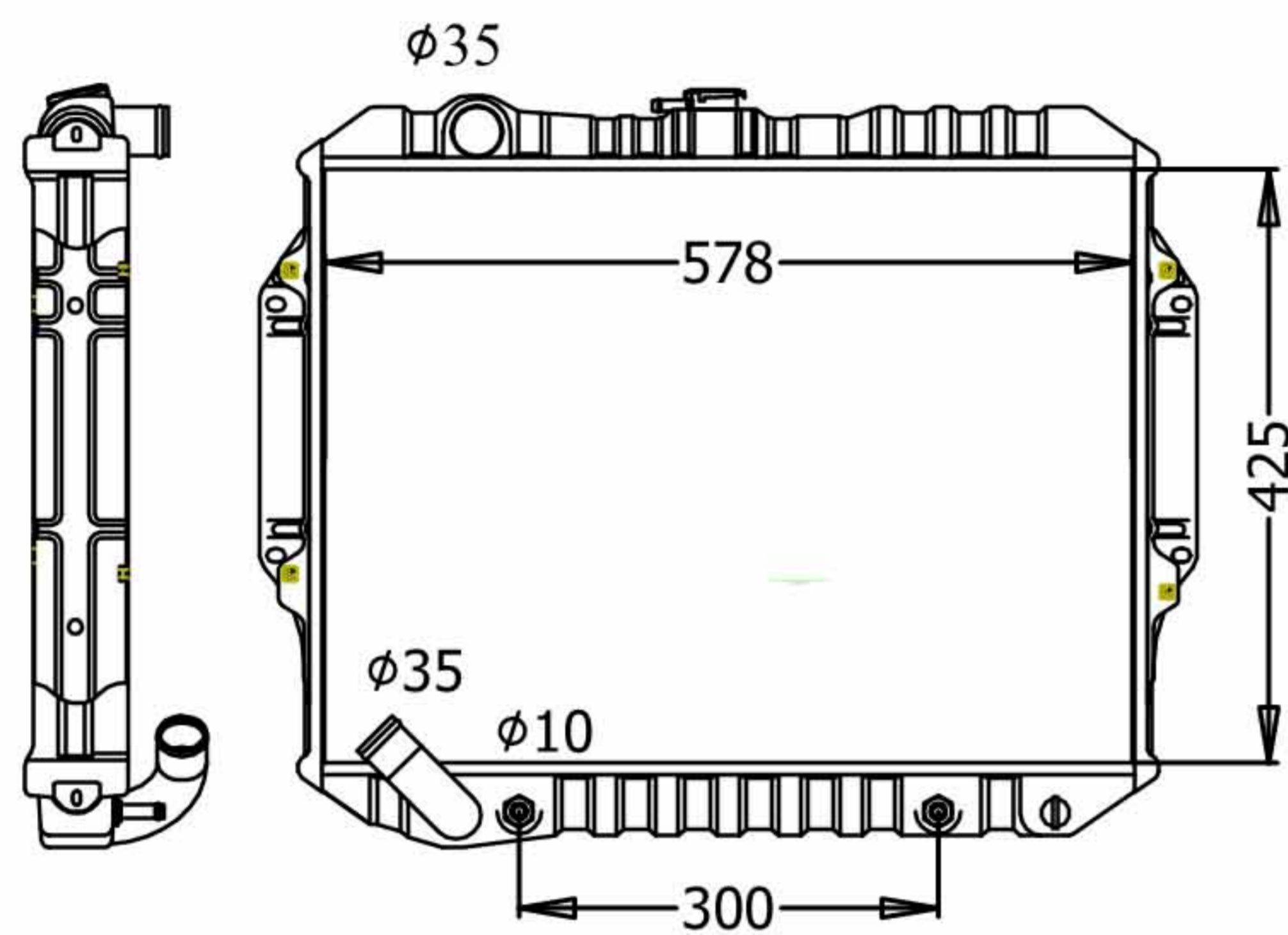
CARTYPE: PAJERO'92-96 V31 (帕杰罗) AT  
 CORE SIZE: BC 425x578x32/49 TANK SIZE:604x62  
 CARTON: 690x610x165  
 OEM:  
 DPI:

## MI-14002



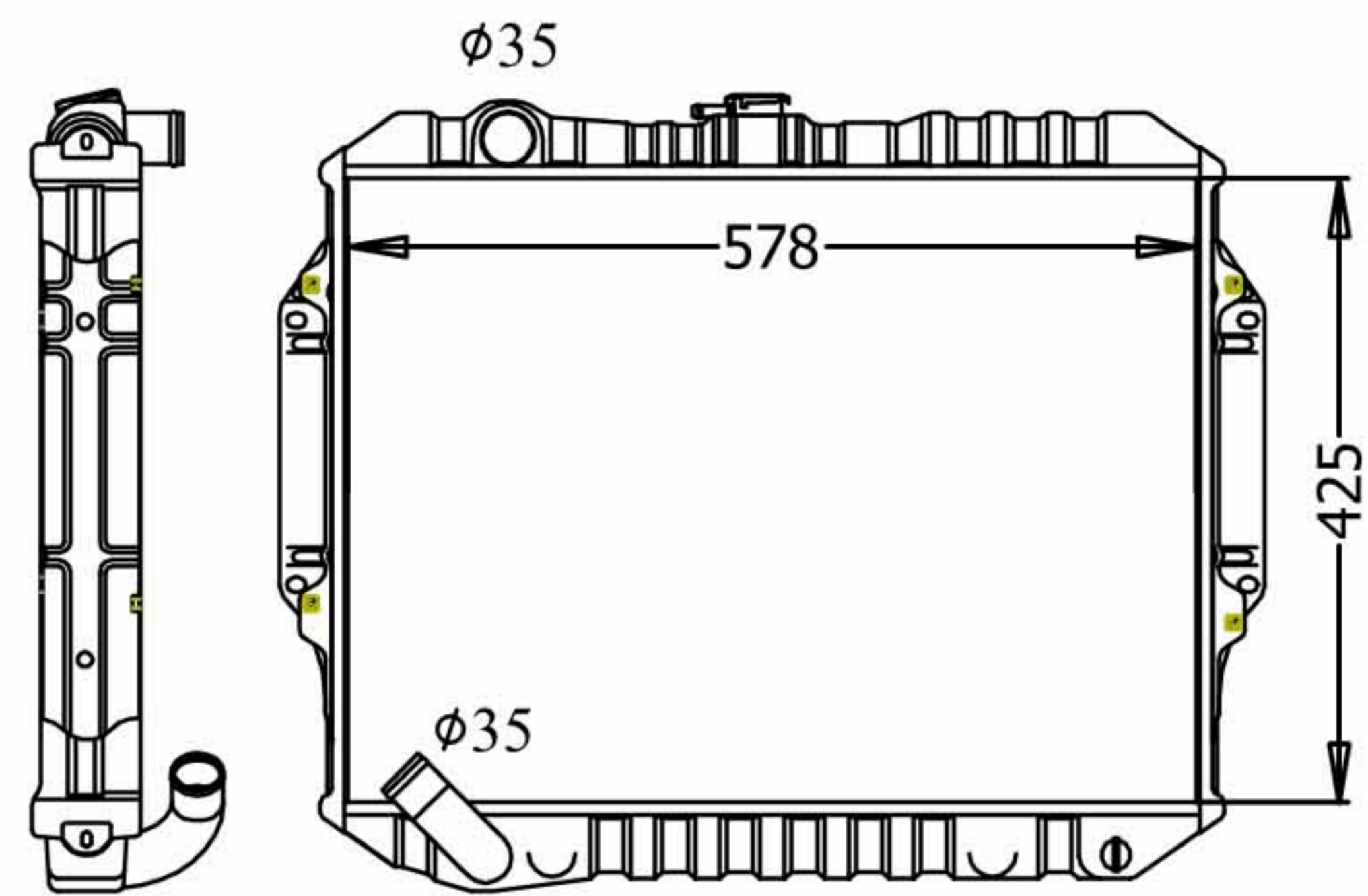
CARTYPE: PAJERO'92-96 V31 (帕杰罗) MT  
 CORE SIZE: BC 425x578x32/49 TANK SIZE:604x62  
 CARTON:690x610x165  
 OEM:  
 DPI:

## MI-14003



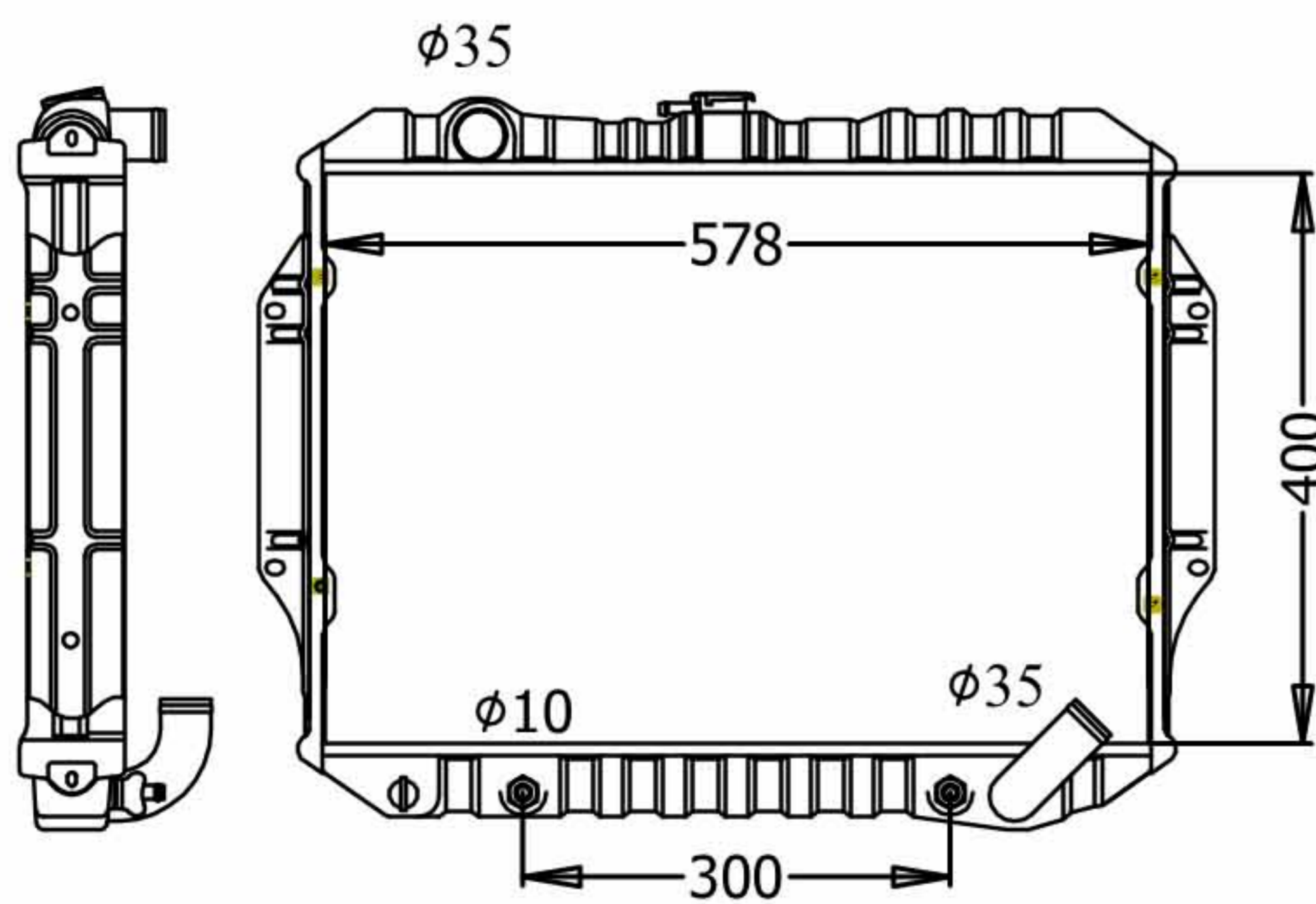
CARTYPE: PAJERO'92-98 V33 (帕杰罗) AT  
 CORE SIZE: BC 425x578x32/49 TANK SIZE:604x62  
 CARTON:690x610x165  
 OEM:  
 DPI:

## MI-14004



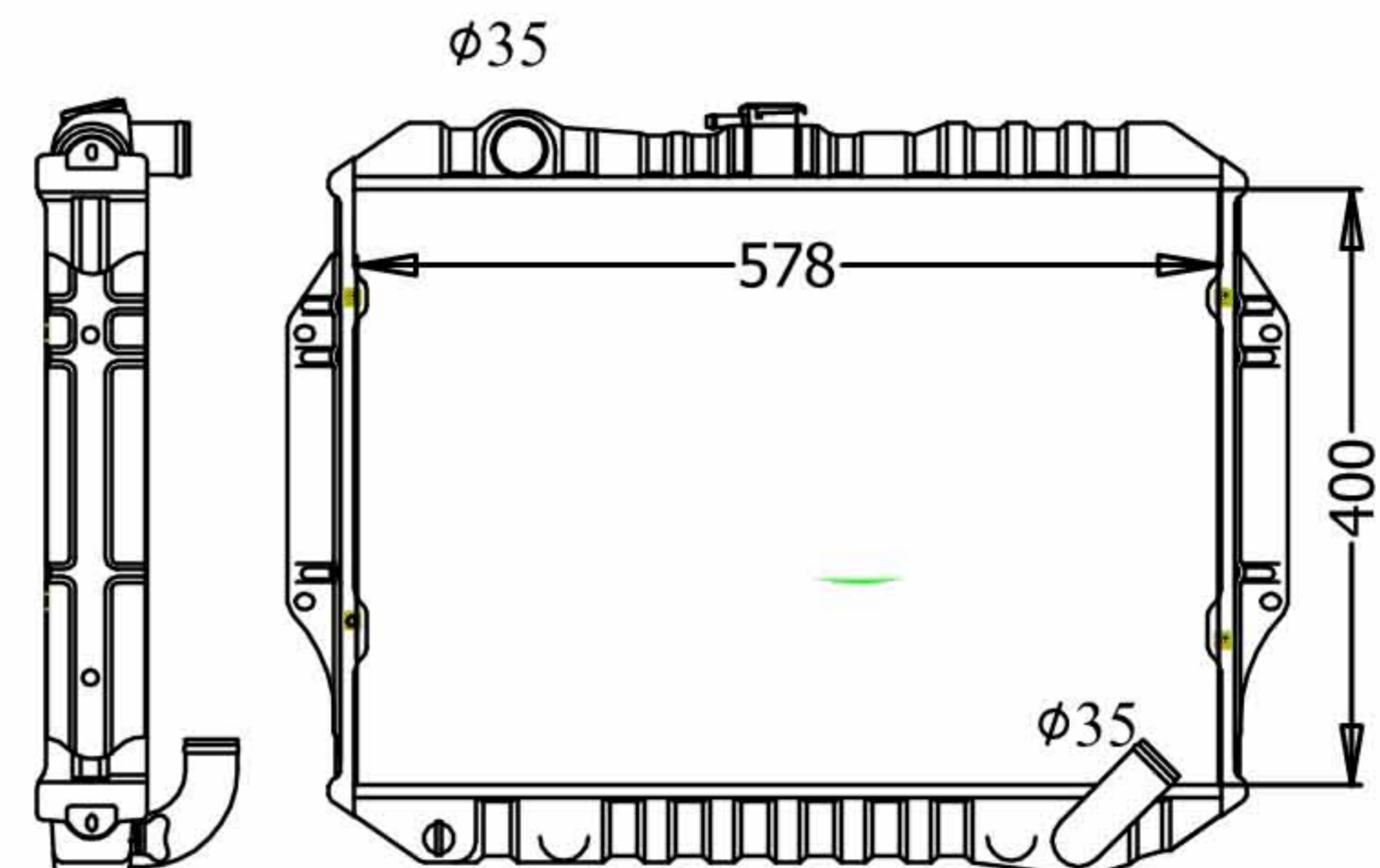
CARTYPE: : PAJERO'92-98 V33 (帕杰罗) MT  
 CORE SIZE: BC 425x578x32/49 TANK SIZE:604\*62  
 CARTON:690x610x165  
 OEM: MB924486  
 DPI:

## MI-14005



CARTYPE: PICKUP L200 '87-89 2.6L6 AT  
 CORE SIZE: BC 400x578x32/49 TANK SIZE:604x62  
 CARTON:690x610x165  
 OEM: MB356862  
 DPI:

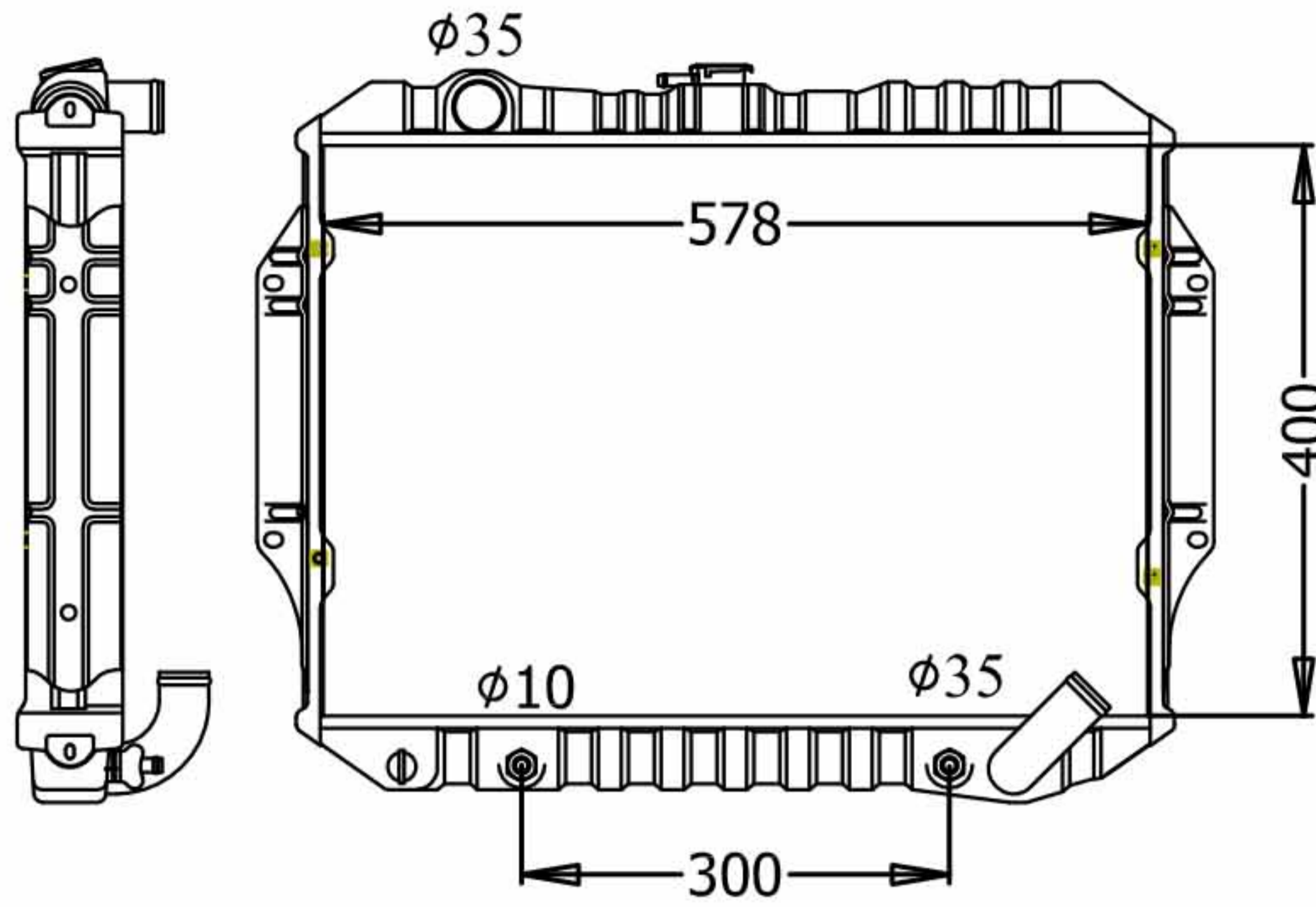
## MI-14006



CARTYPE: PICKUP L200 '87 MT  
 CORE SIZE: BC 400x578x32/49 TANK SIZE:604x62  
 CARTON:690x610x165  
 OEM:MB356681  
 DPI:

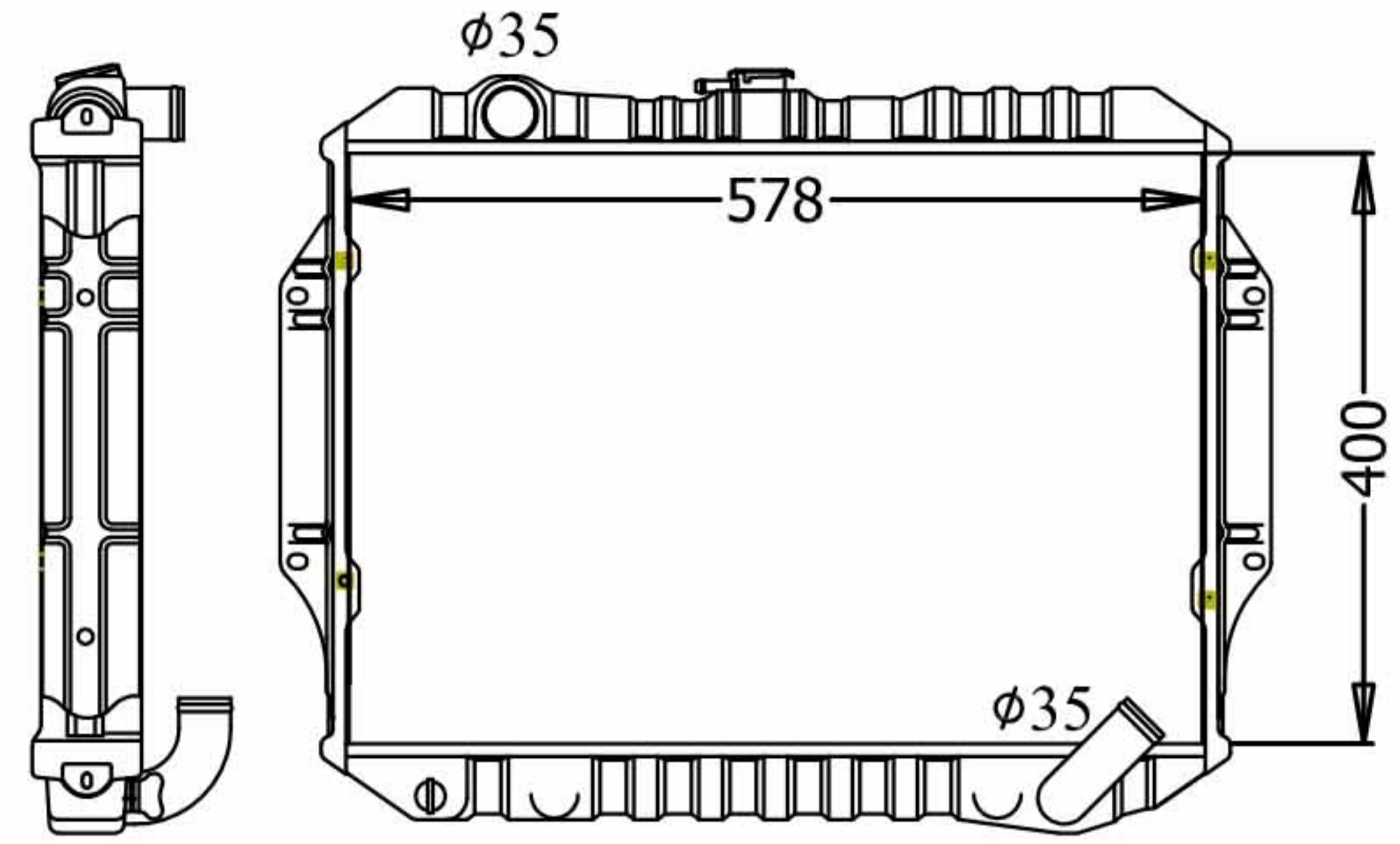
# MITSUBISHI

**MI-14007**



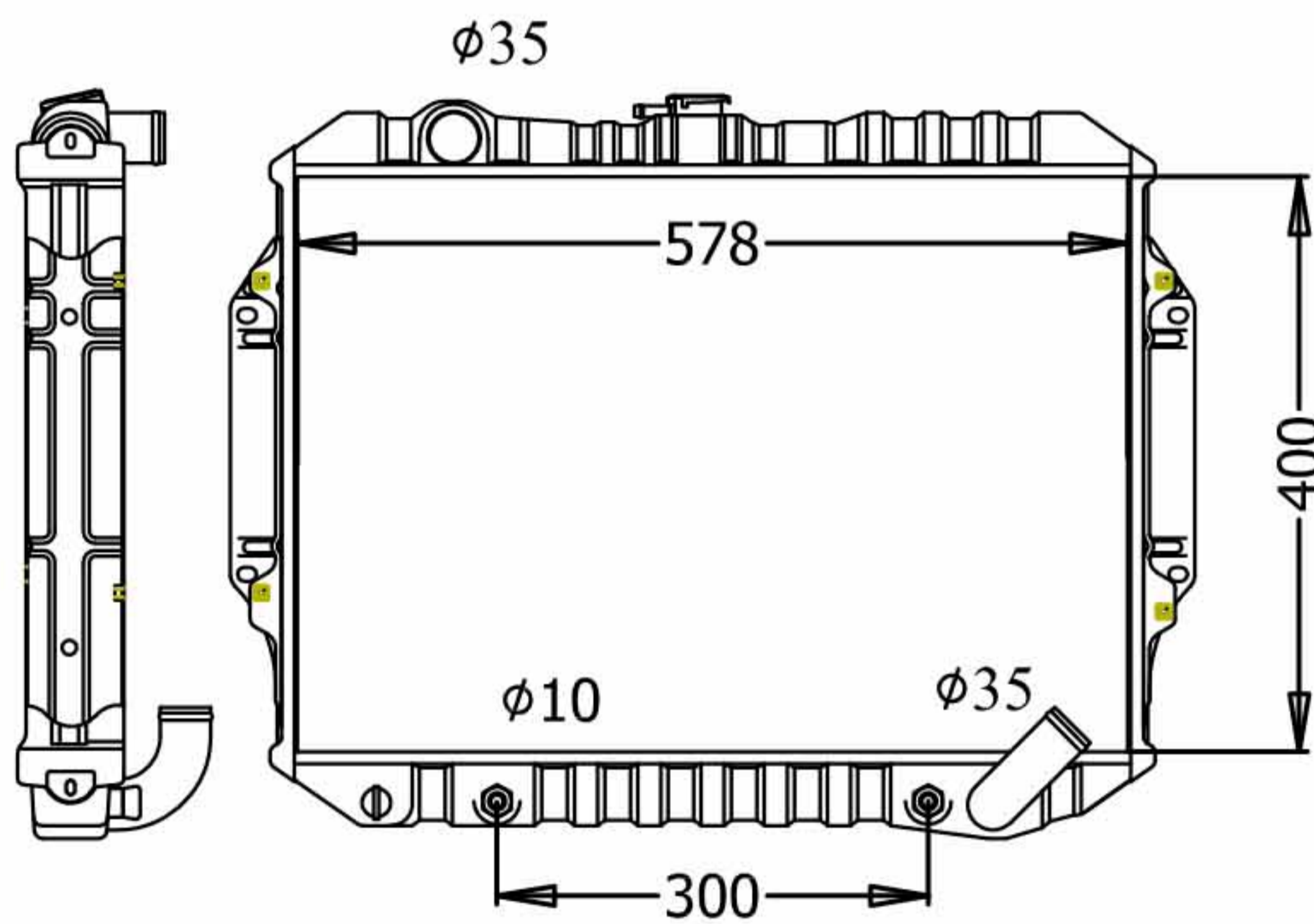
CARTYPE: L200 87 PICKUP/2.6/4G56 AT  
 CORE SIZE: BC 400x578x49 TANK SIZE:604x62  
 CARTON:690x610x165  
 OEM:  
 DPI:

**MI-14008**



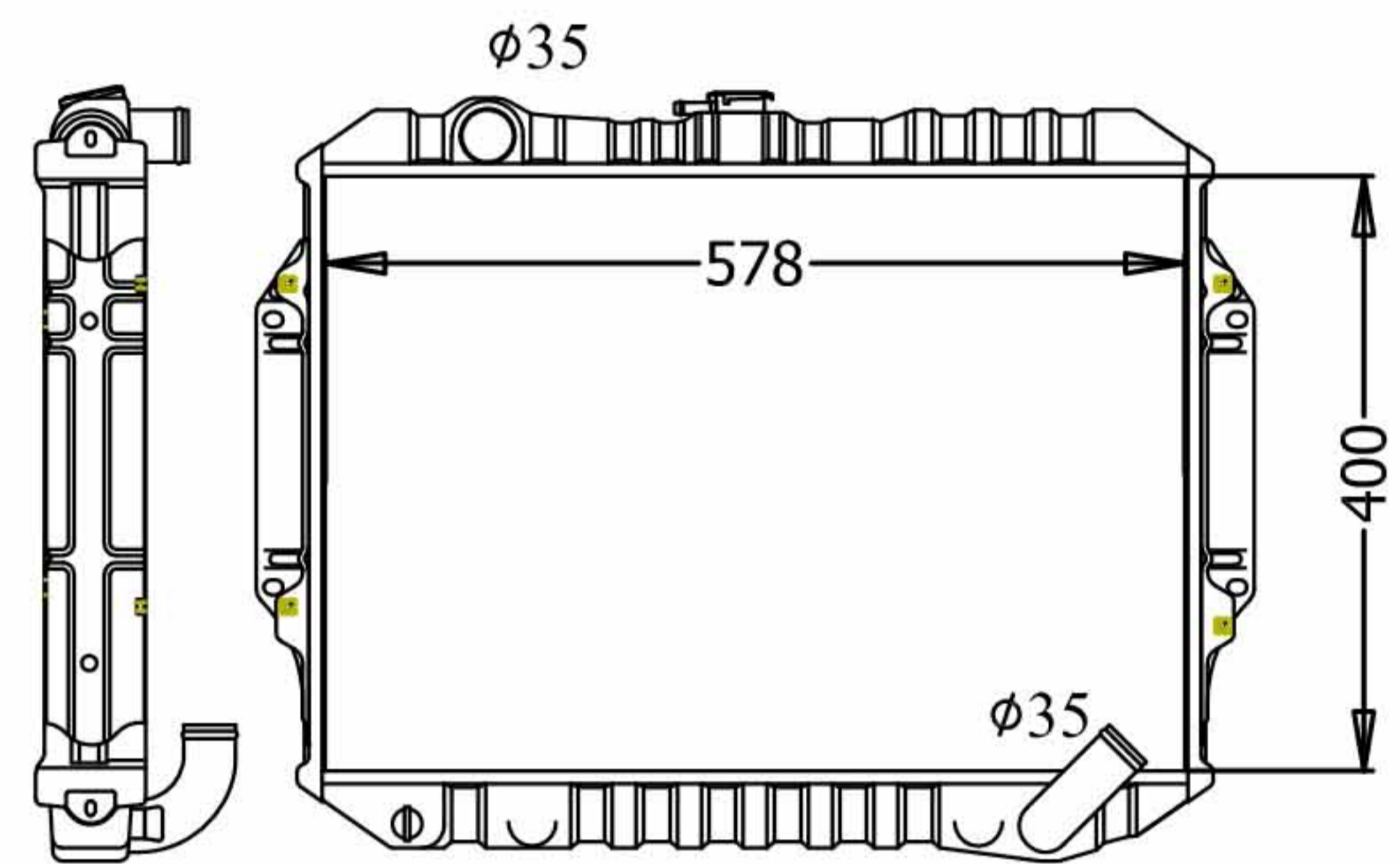
CARTYPE: L200 87 PICKUP/2.6/4G56 MT  
 CORE SIZE: BC 400x578x49 TANK SIZE:604x62  
 CARTON:690x610x165  
 OEM:  
 DPI:

**MI-14009**



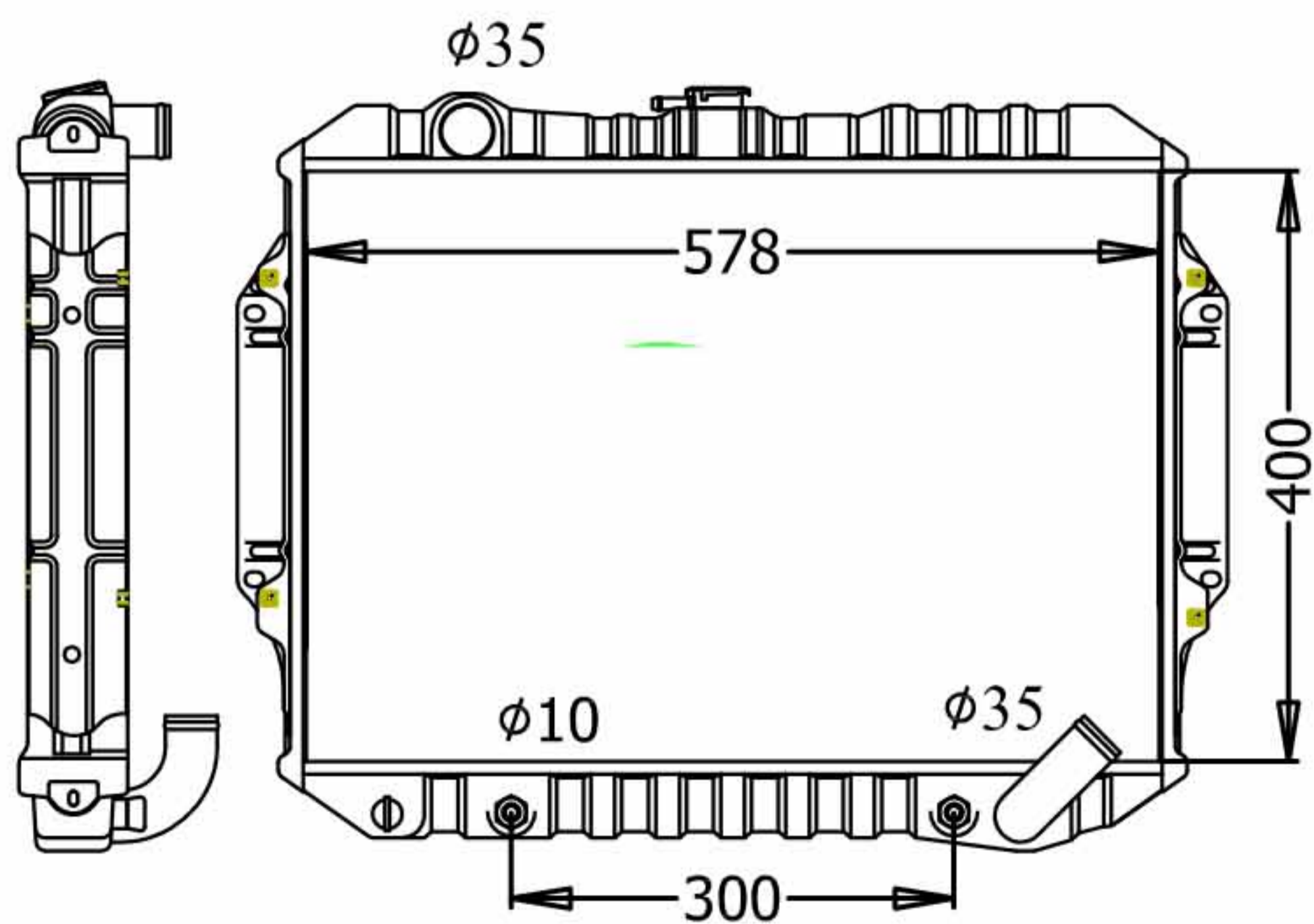
CARTYPE: PAJERO'86-91 L047 AT  
 CORE SIZE: BC 400x578x32/49 TANK SIZE:604x62  
 CARTON:690x610x165  
 OEM:  
 DPI:

**MI-14010**



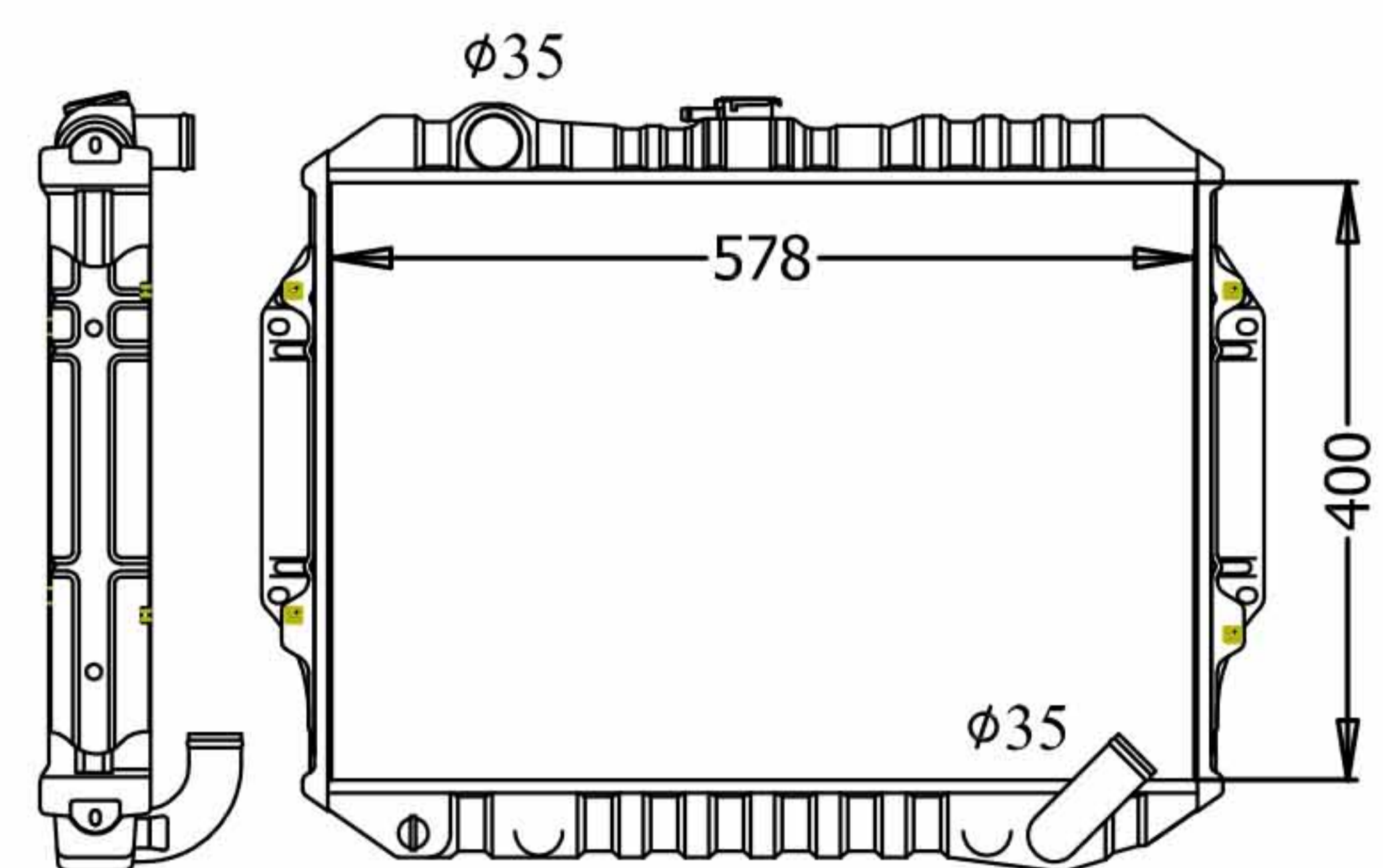
CARTYPE: PAJERO'86-91 L047 MT  
 CORE SIZE: BC 400x578x32/49 TANK SIZE:604x62  
 CARTON:690x610x165  
 OEM:  
 DPI:

**MI-14011**



CARTYPE: PAJERO/L047'86-91 AT  
 CORE SIZE: BC 400x578x49 TANK SIZE:604x62  
 CARTON:690x610x165  
 OEM:  
 DPI:

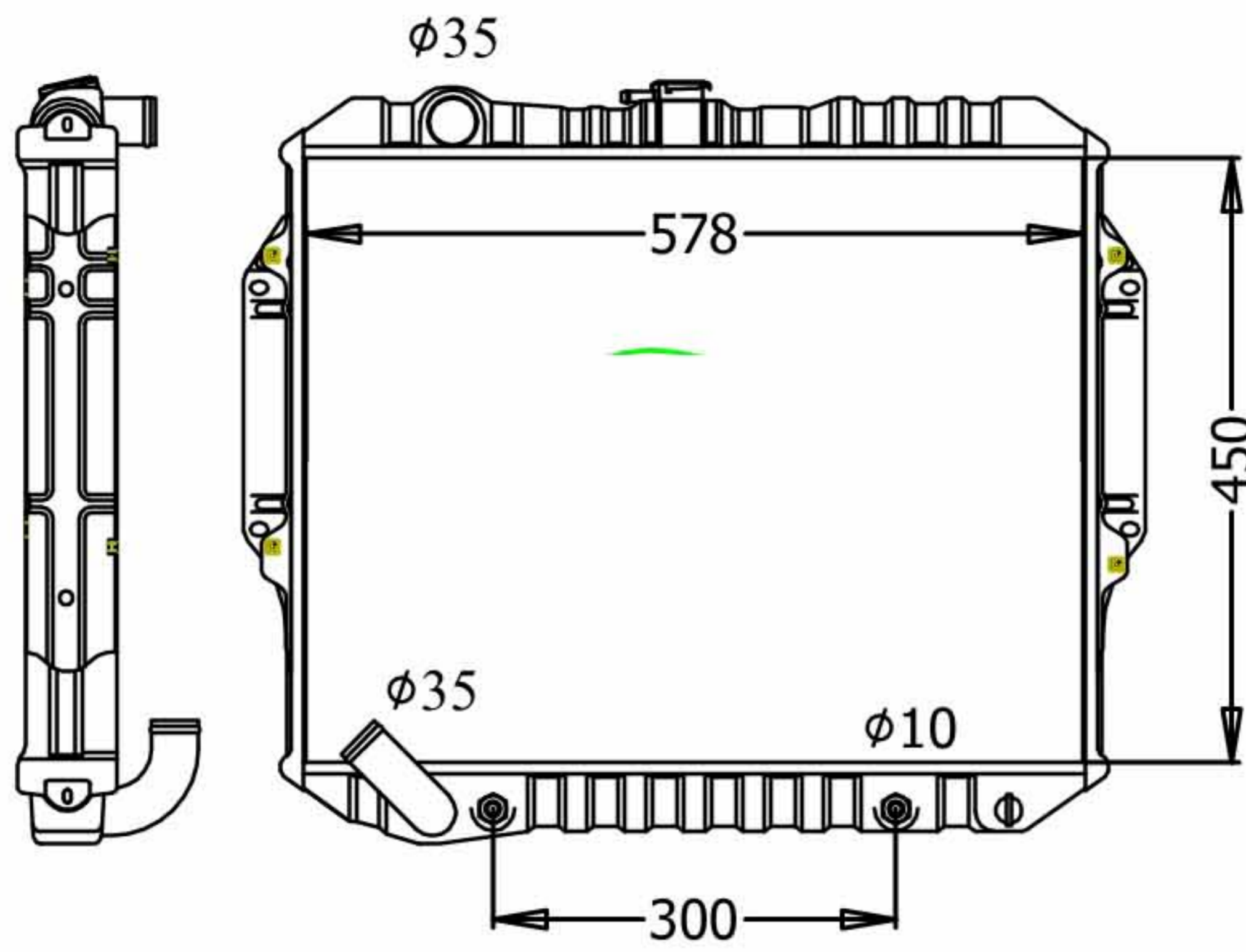
**MI-14012**



CARTYPE: PAJERO/L047'86-91 MT  
 CORE SIZE: BC 400x578x49 TANK SIZE:604x62  
 CARTON:690x610x165  
 OEM:  
 DPI:

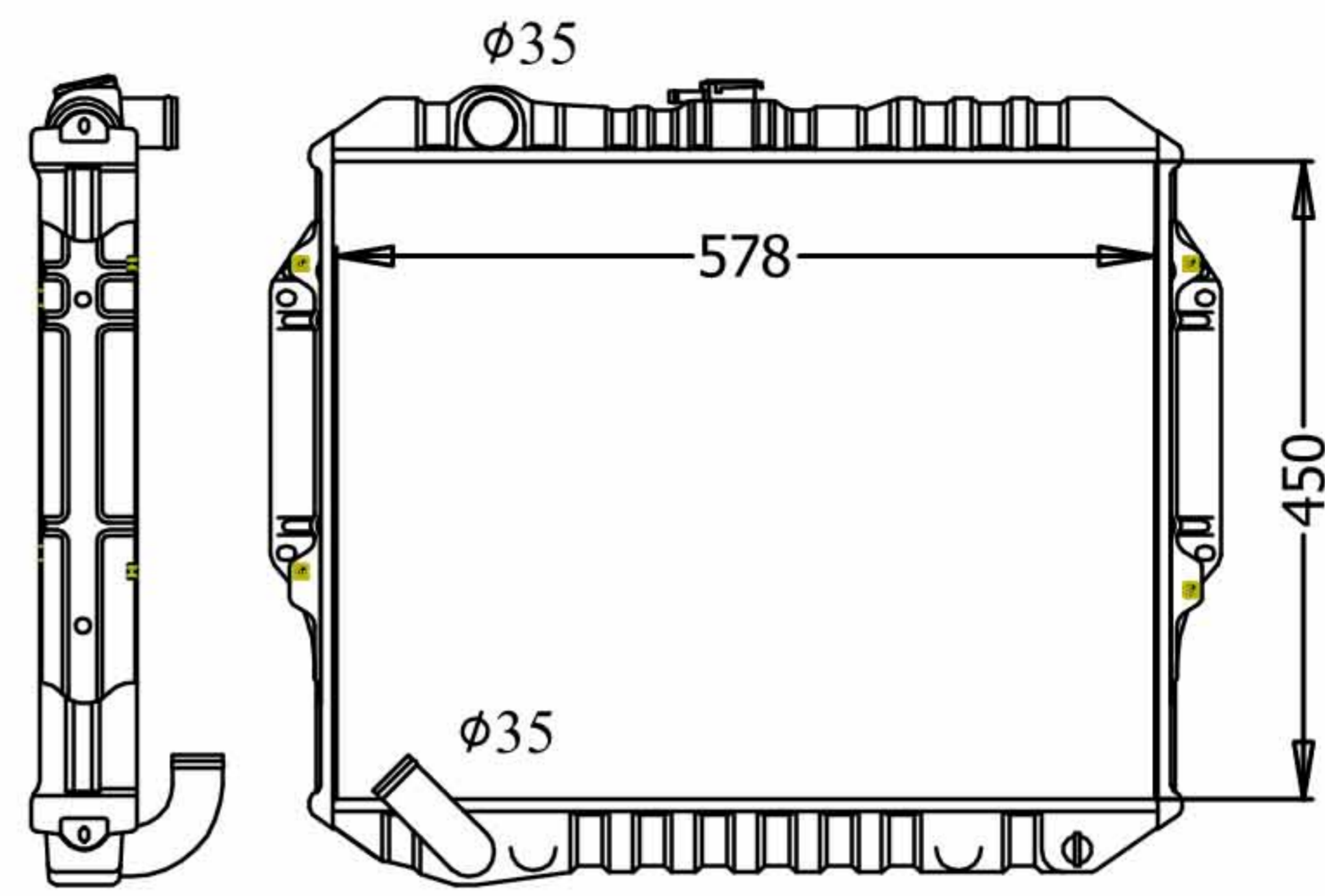
# MITSUBISHI

## MI-14013



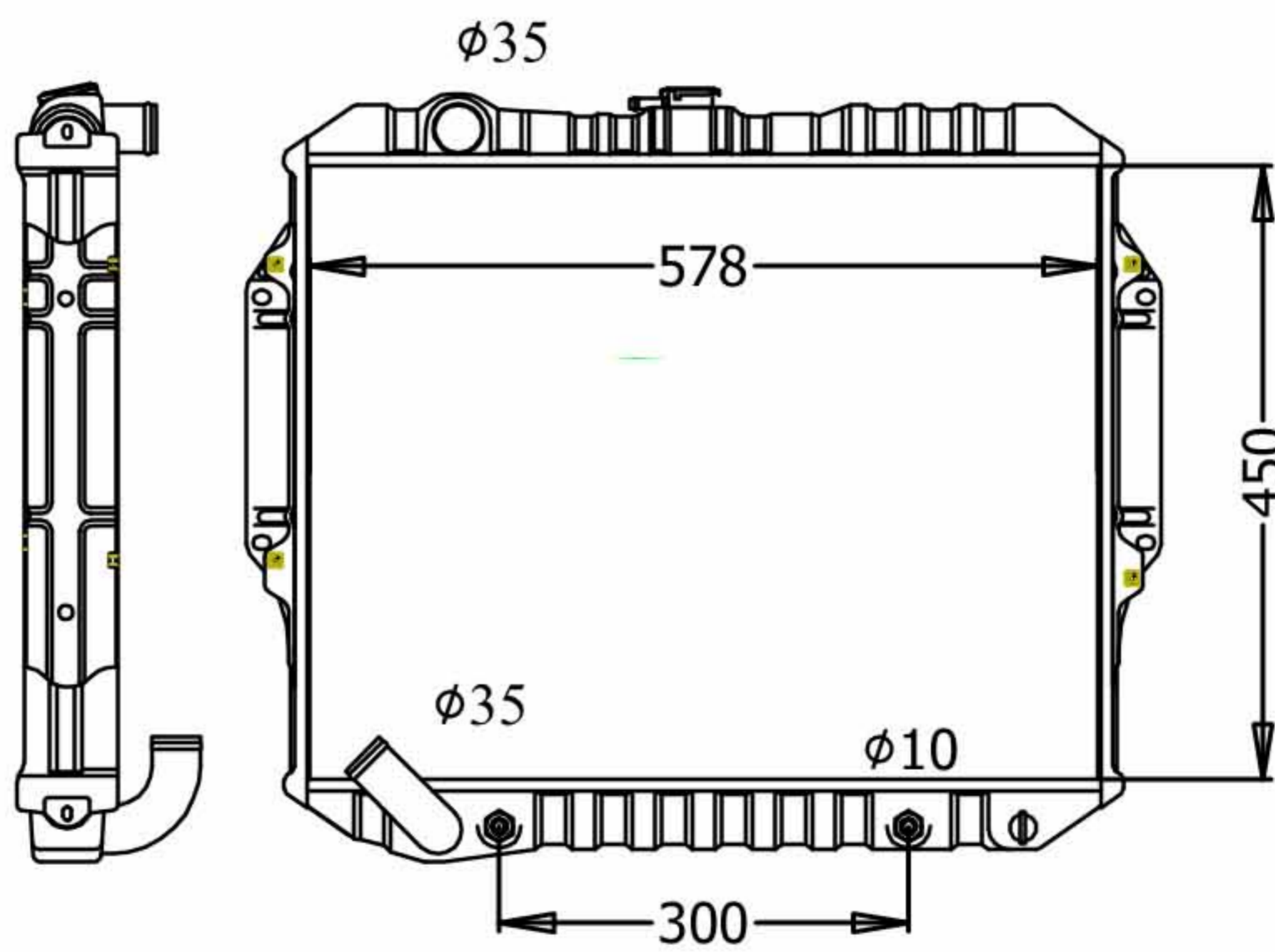
CARTYPE: PAIERO V6 3.5 AT  
 CORE SIZE: BC 450x578x32/49 TANK SIZE:604x62  
 CARTON:690x585x165  
 OEM:  
 DPI:

## MI-14014



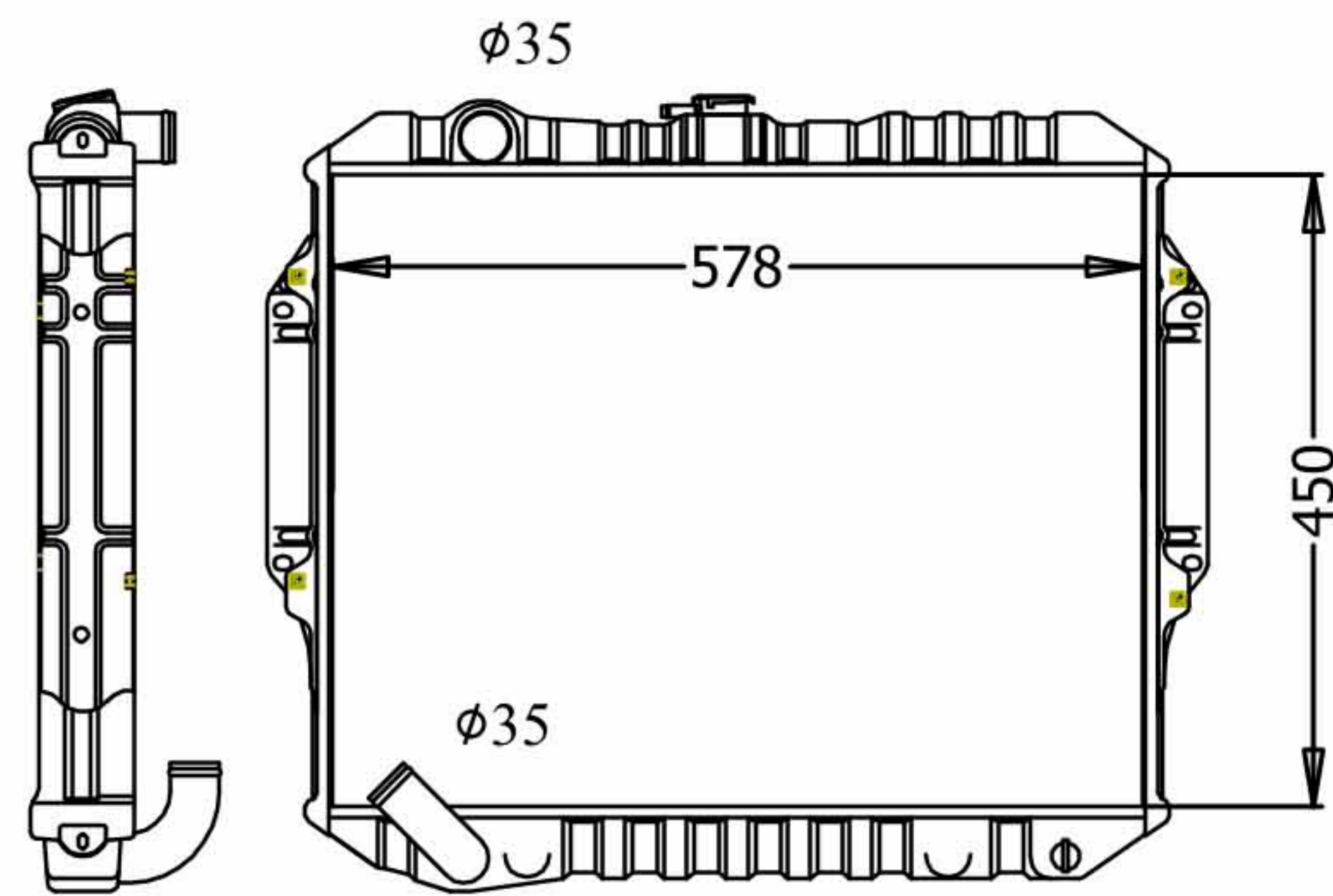
CARTYPE: PAIERO V6 3.5 MT  
 CORE SIZE: BC 450x578x32/49 TANK SIZE:604x62  
 CARTON:690x585x165  
 OEM:  
 DPI:

## MI-14015



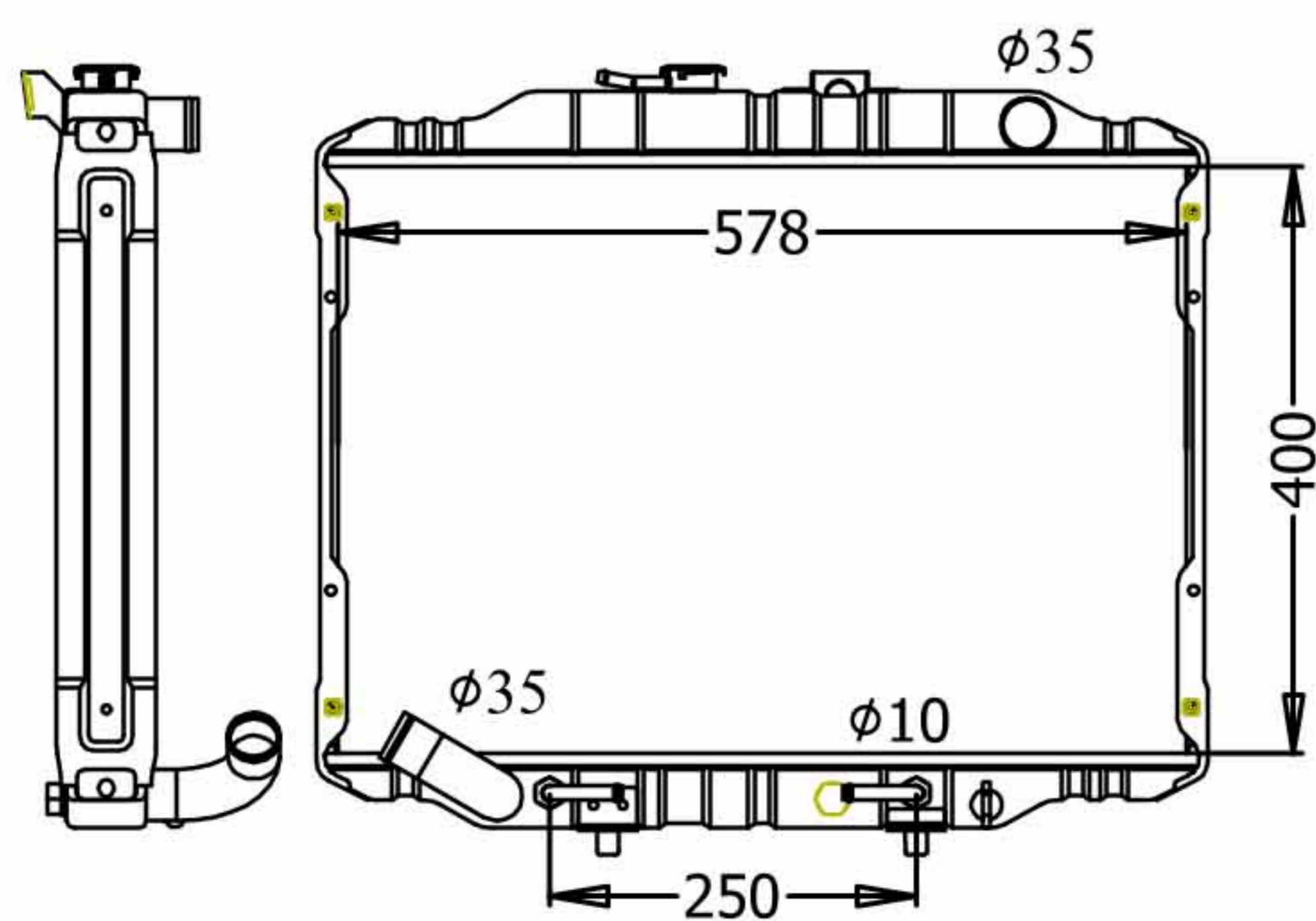
CARTYPE: PAIERO V6 3.5 AT  
 CORE SIZE: BC 450x578x49 TANK SIZE:604x62  
 CARTON:690x585x165  
 OEM:  
 DPI:

## MI-14016



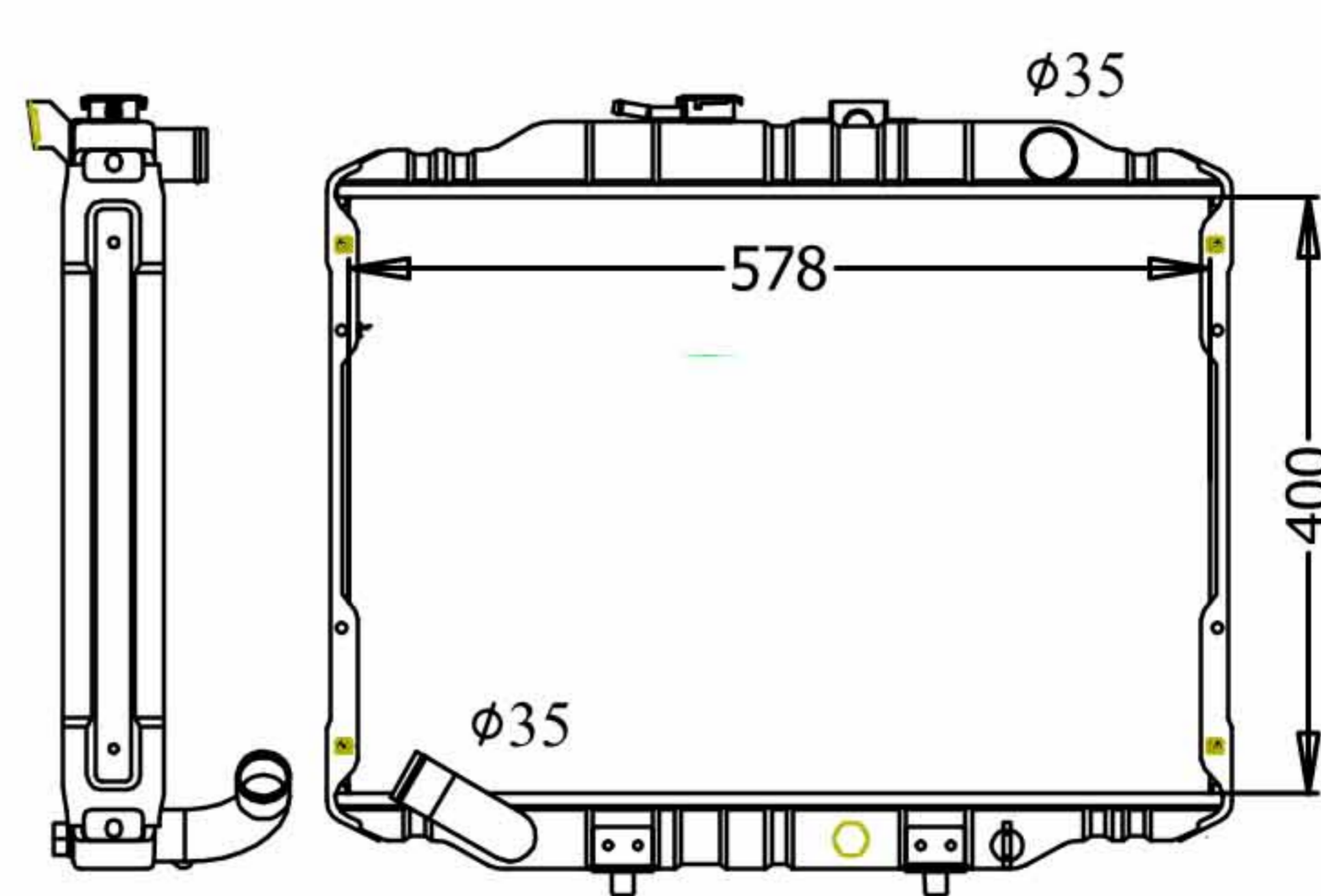
CARTYPE: PAIERO V6 3.5 MT  
 CORE SIZE: BC 450x578x49 TANK SIZE:604x62  
 CARTON:690x585x165  
 OEM:  
 DPI:

## MI-14017



CARTYPE: 87-93 L300 AT  
 CORE SIZE: BC 400x578x49/32 TANK SIZE:595x62  
 CARTON:675x557x110  
 OEM:  
 DPI:

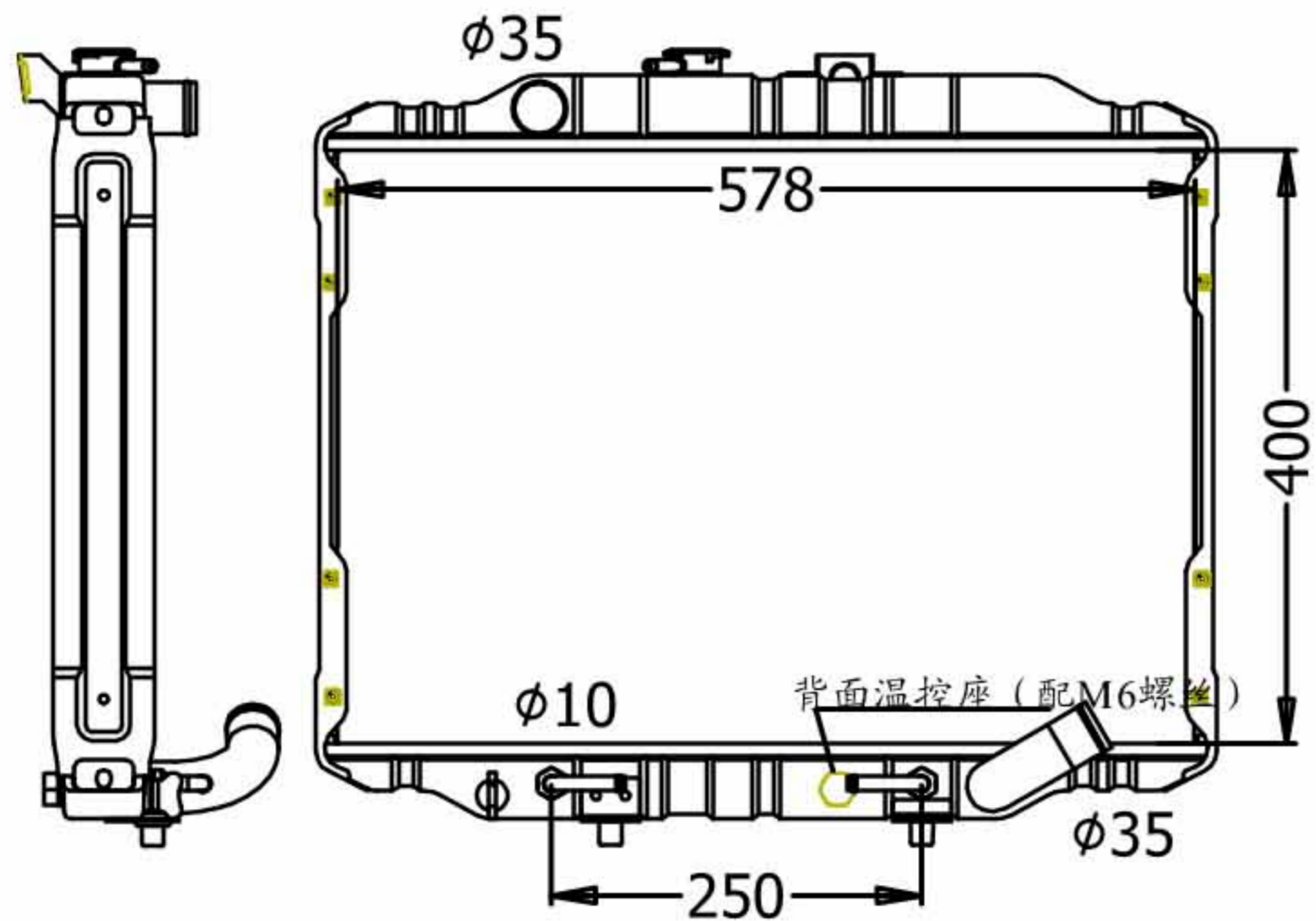
## MI-14018



CARTYPE: 87-93 L300 MT  
 CORE SIZE: BC 400x578x49/32 TANK SIZE:595x62  
 CARTON:675x557x110  
 OEM:  
 DPI:

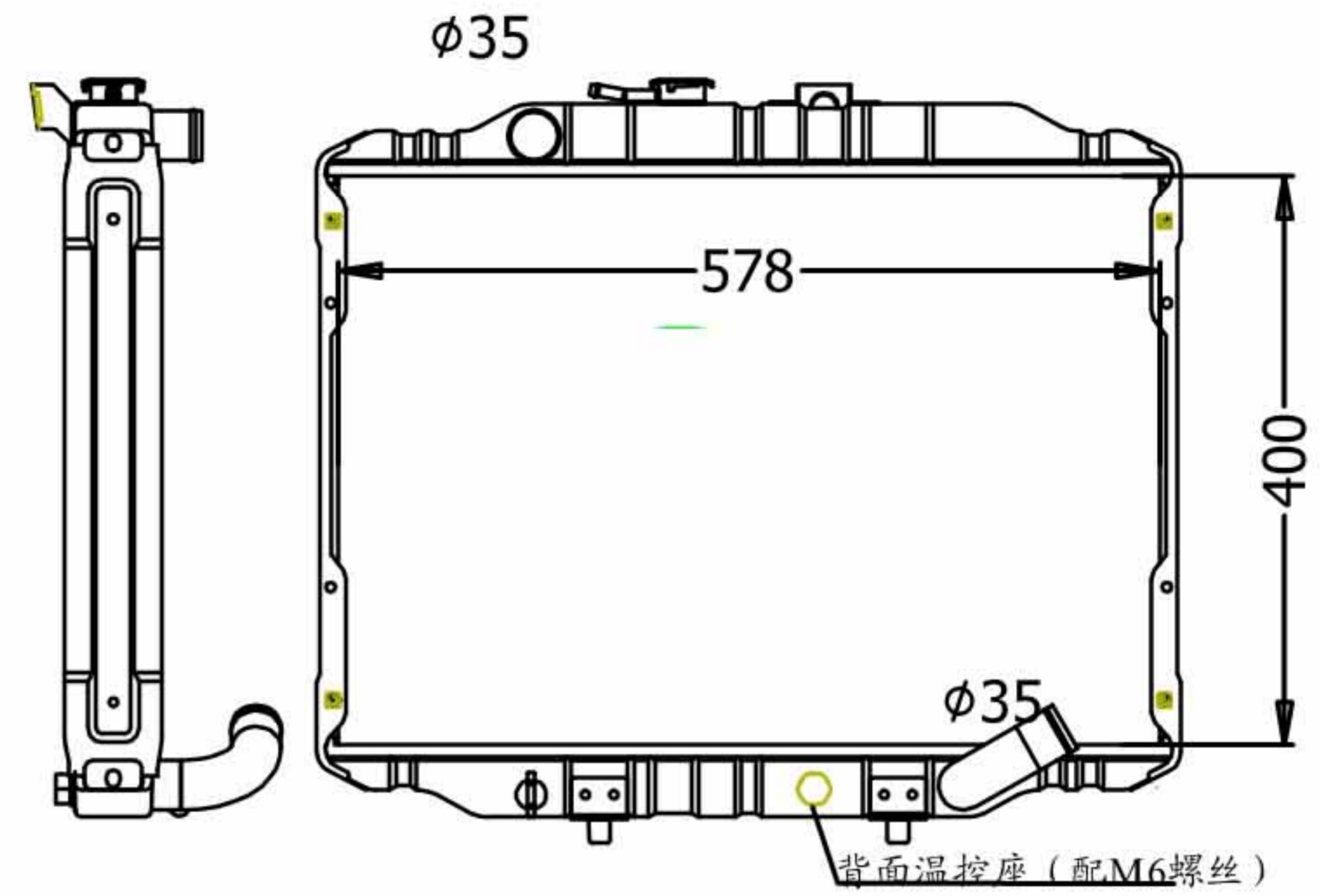
# MITSUBISHI

MI-14019



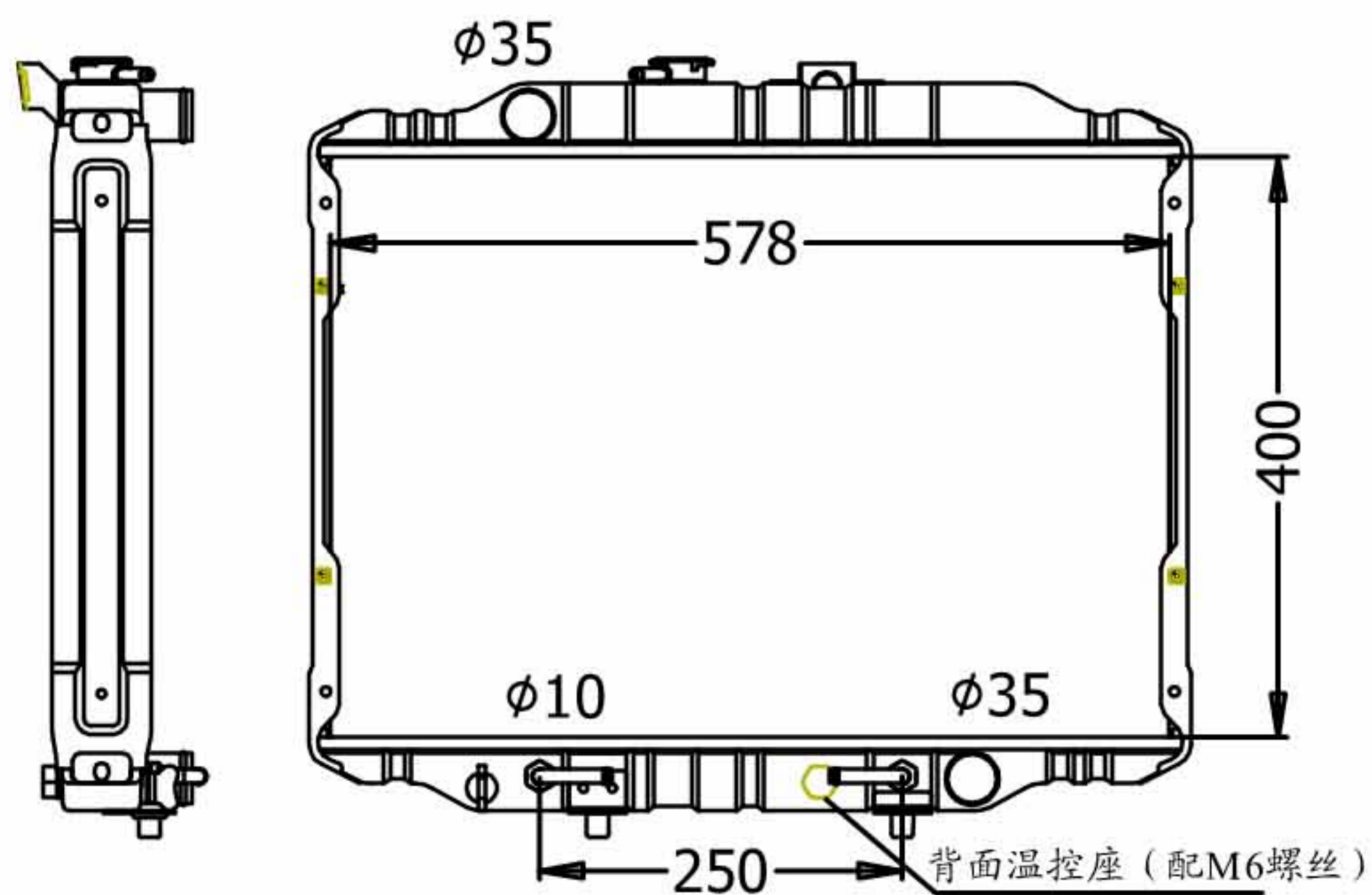
CARTYPE: DELICA'87-93 ATM (得利卡8气门/现代H100/东南三菱) AT  
 CORE SIZE: BC 400x578x49 TANK SIZE:595x62  
 CARTON:675x557x110  
 OEM: MB356378  
 DPI:

MI-14020



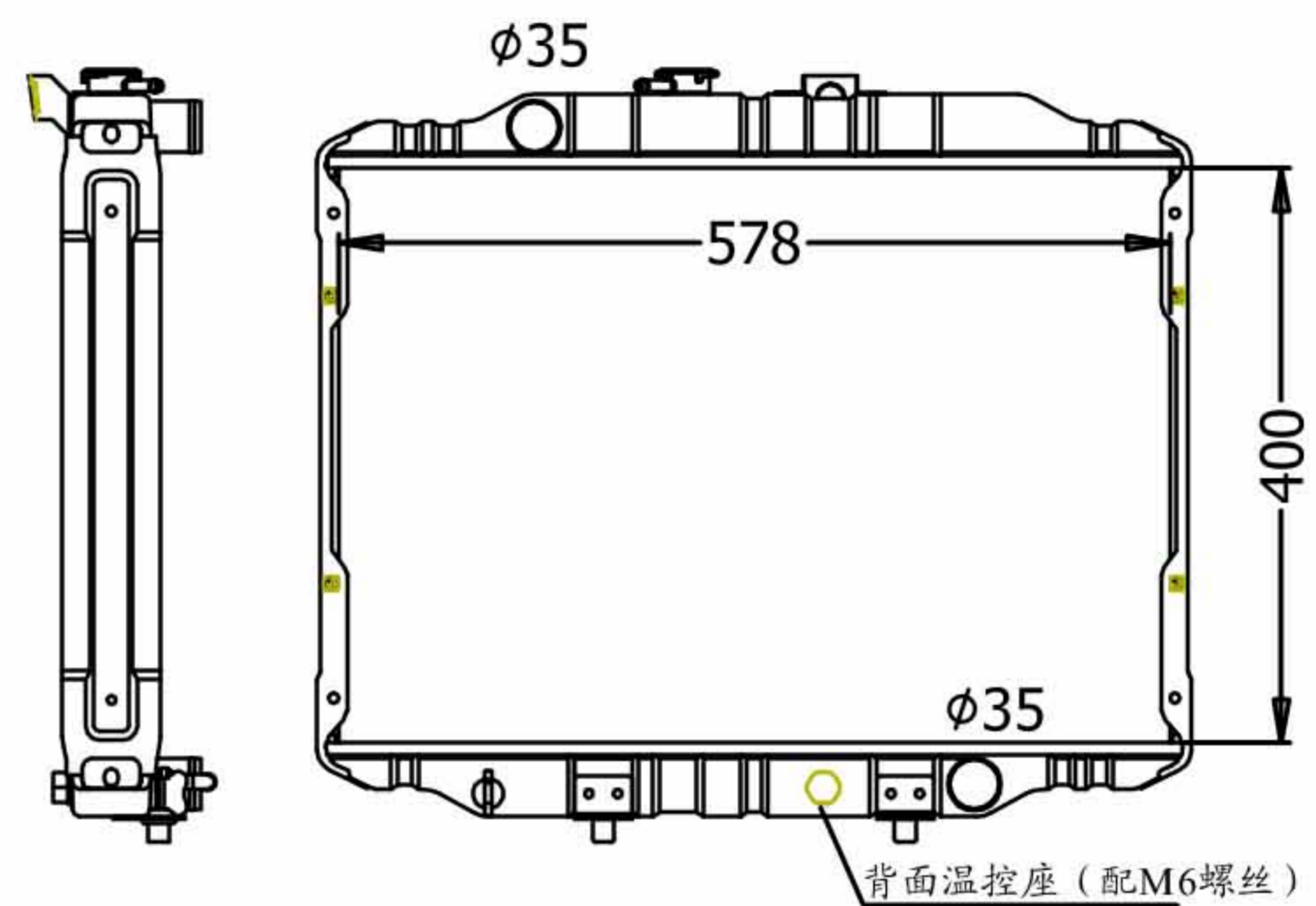
CARTYPE: DELICA'87-93(得利卡8气门/现代H100/东南三菱) MT  
 CORE SIZE: BC 400x578x49 TANK SIZE:595x62  
 CARTON:675x557x110  
 OEM: MB356342/605252  
 DPI:

MI-14021



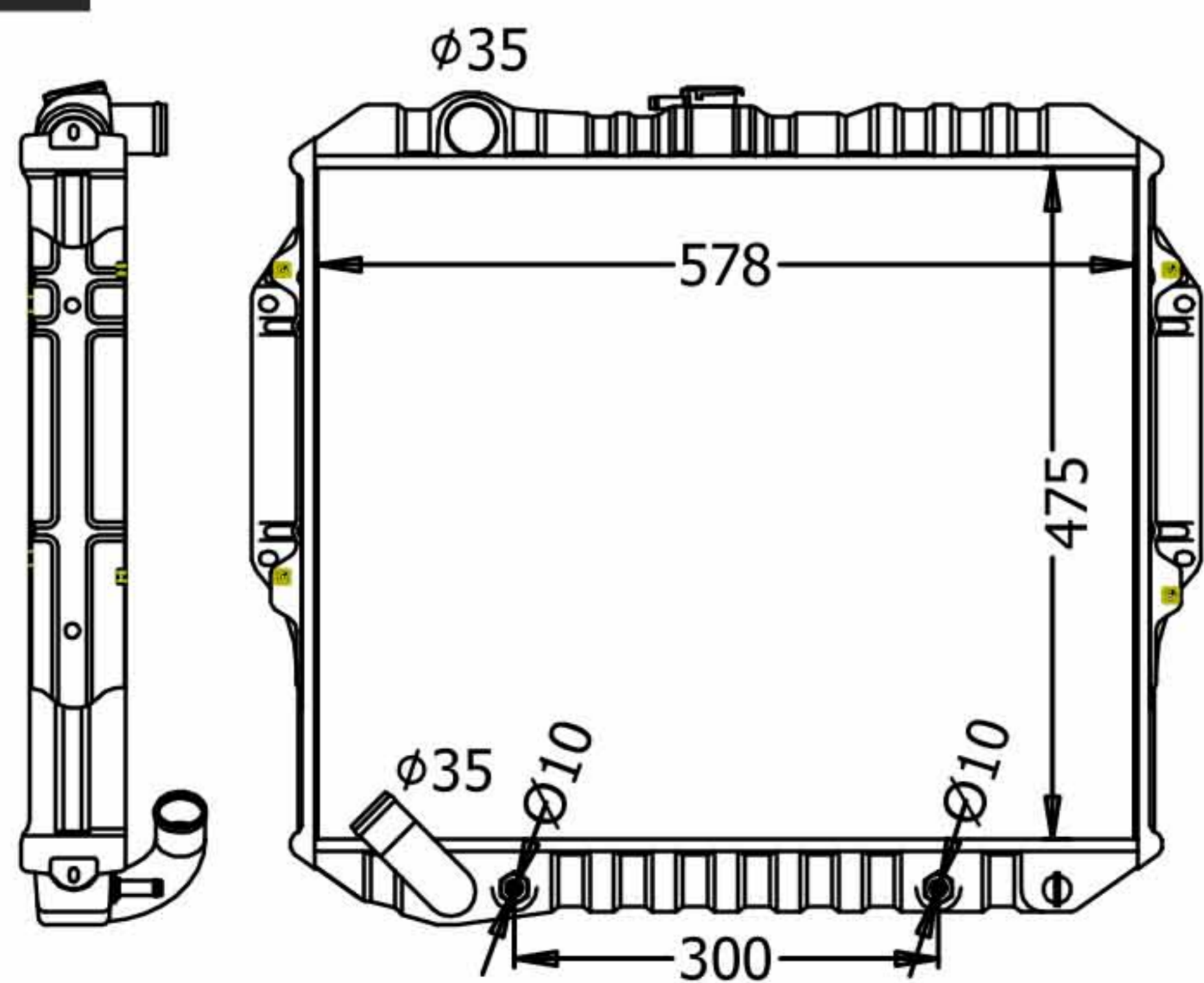
CARTYPE: DELICA'87-93 ATM (得利卡16气门) AT  
 CORE SIZE: BC 400x578x32 TANK SIZE:595x62  
 CARTON:675x557x110  
 OEM: CW749167  
 DPI:

MI-14022



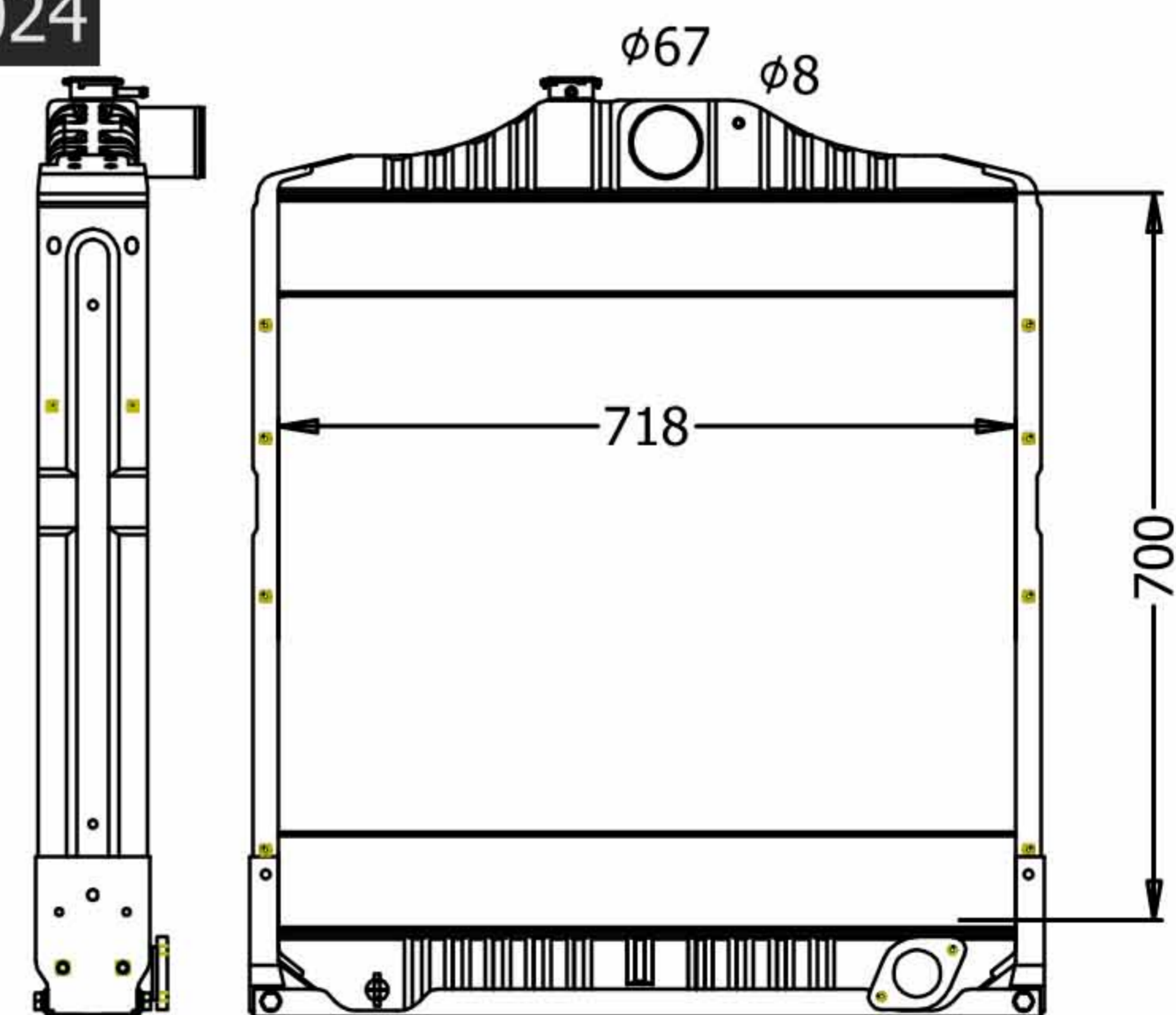
CARTYPE: DELICA'87-93 MTM (得利卡16气门) MT  
 CORE SIZE: BC 400x578x32 TANK SIZE:595x62  
 CARTON:675x557x110  
 OEM: SW600045  
 DPI:

MI-14023



CARTYPE: PAJERO(帕杰罗) V45 AT  
 CORE SIZE: BC 475x578x49 TANK SIZE:604x62  
 CARTON:690x635x165  
 OEM:  
 DPI:

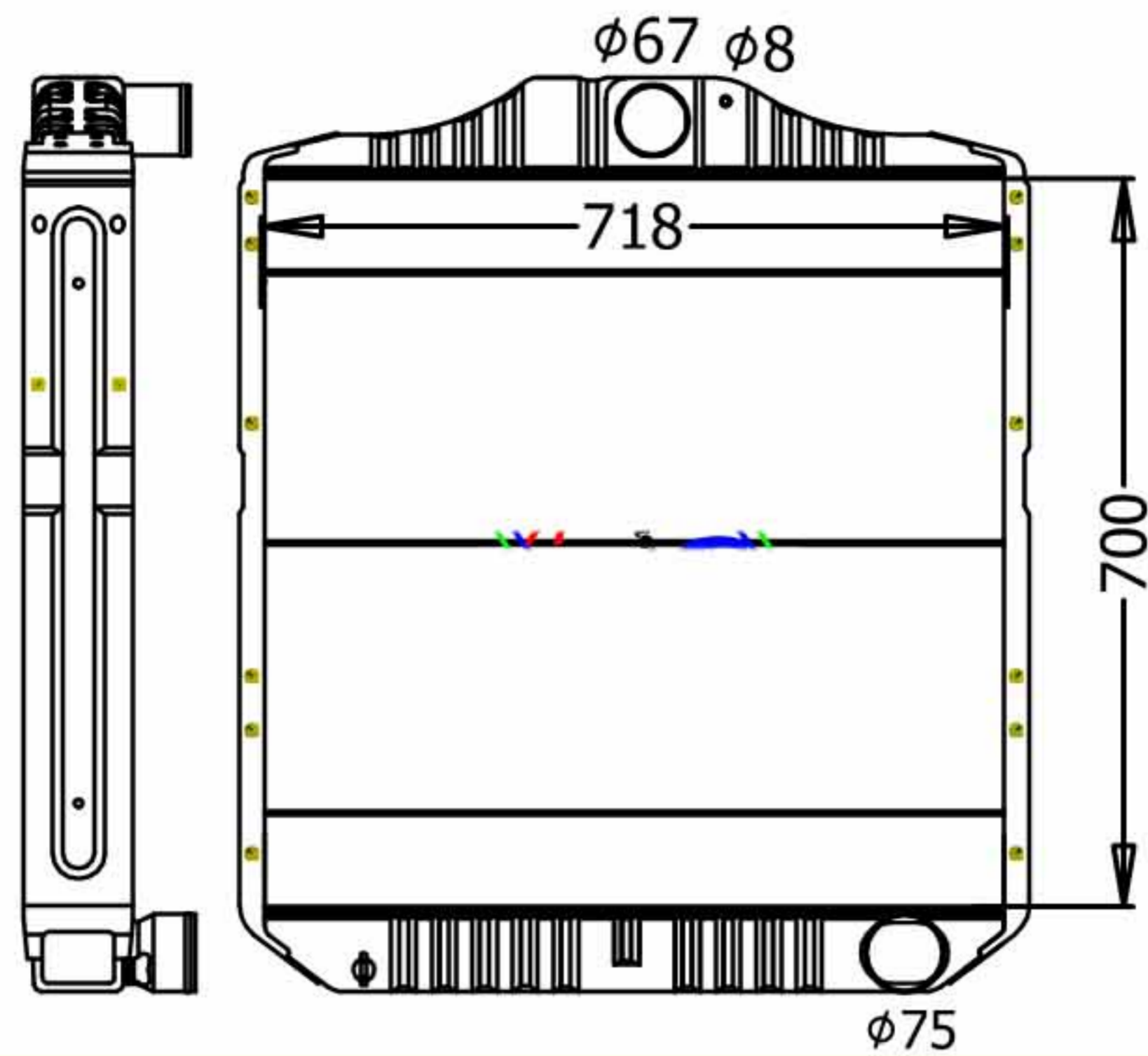
MI-14024



CARTYPE: SMALL MITSUBISHI(小三菱) MT  
 CORE SIZE: BC 700x718x64 TANK SIZE:735x95  
 CARTON:  
 OEM:  
 DPI:

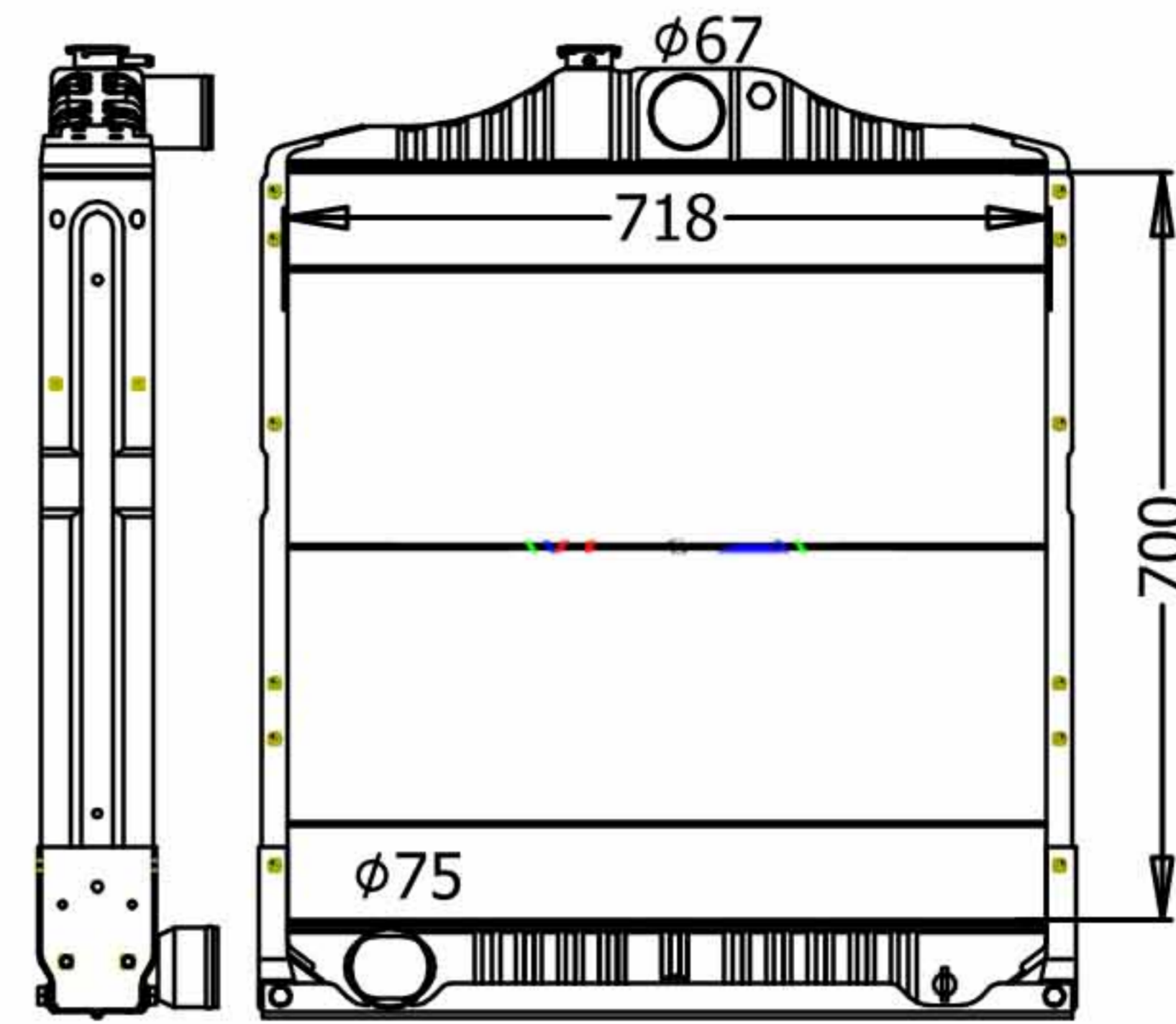
# MITSUBISHI

MI-14025



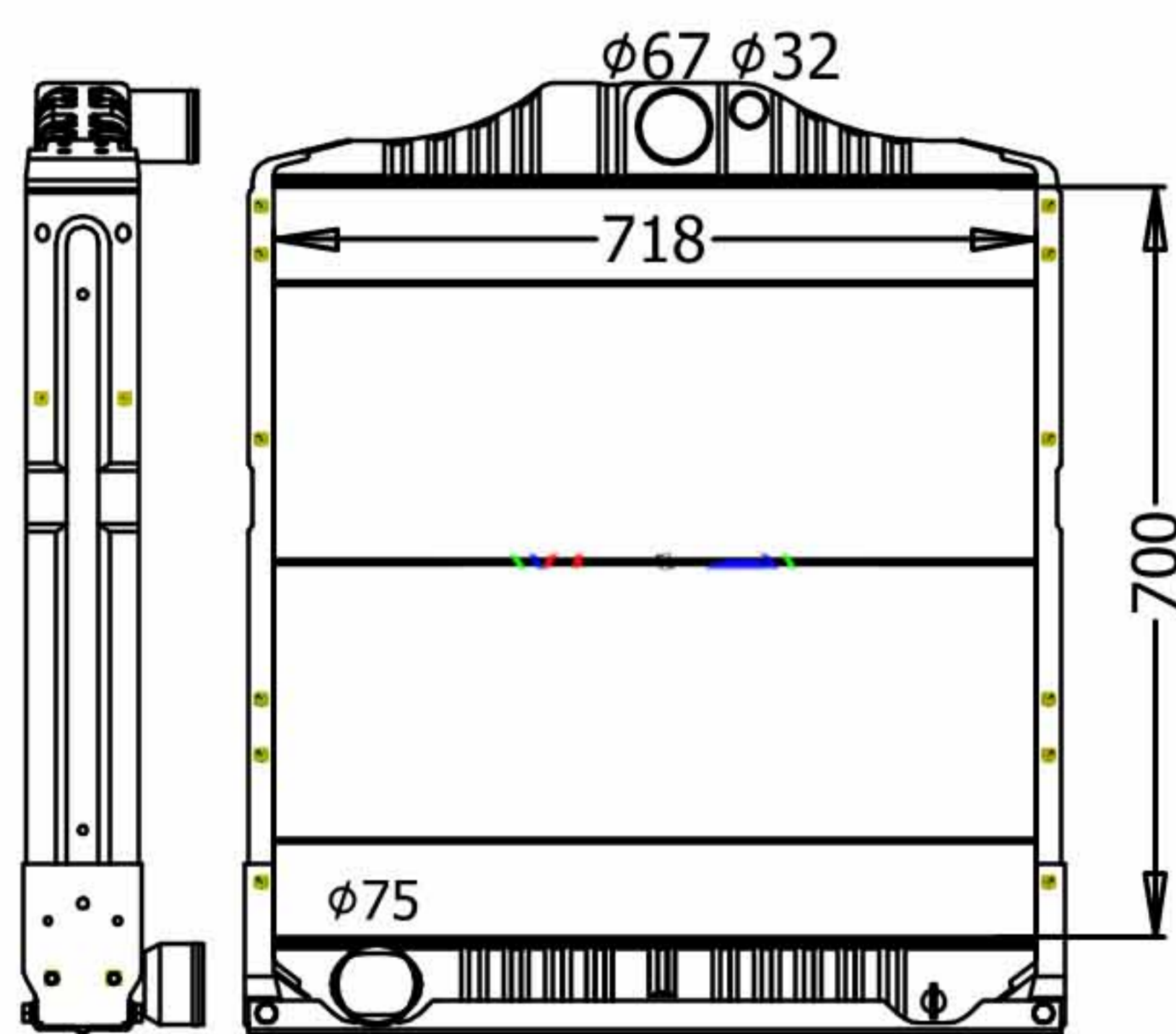
CARTYPE: SMALL MITSUBISHI DRAG HEAD  
(小三菱拖头) MT  
CORE SIZE: BC 700x718x64 TANK SIZE:735x95  
CARTON:  
OEM:  
DPI:

MI-14026



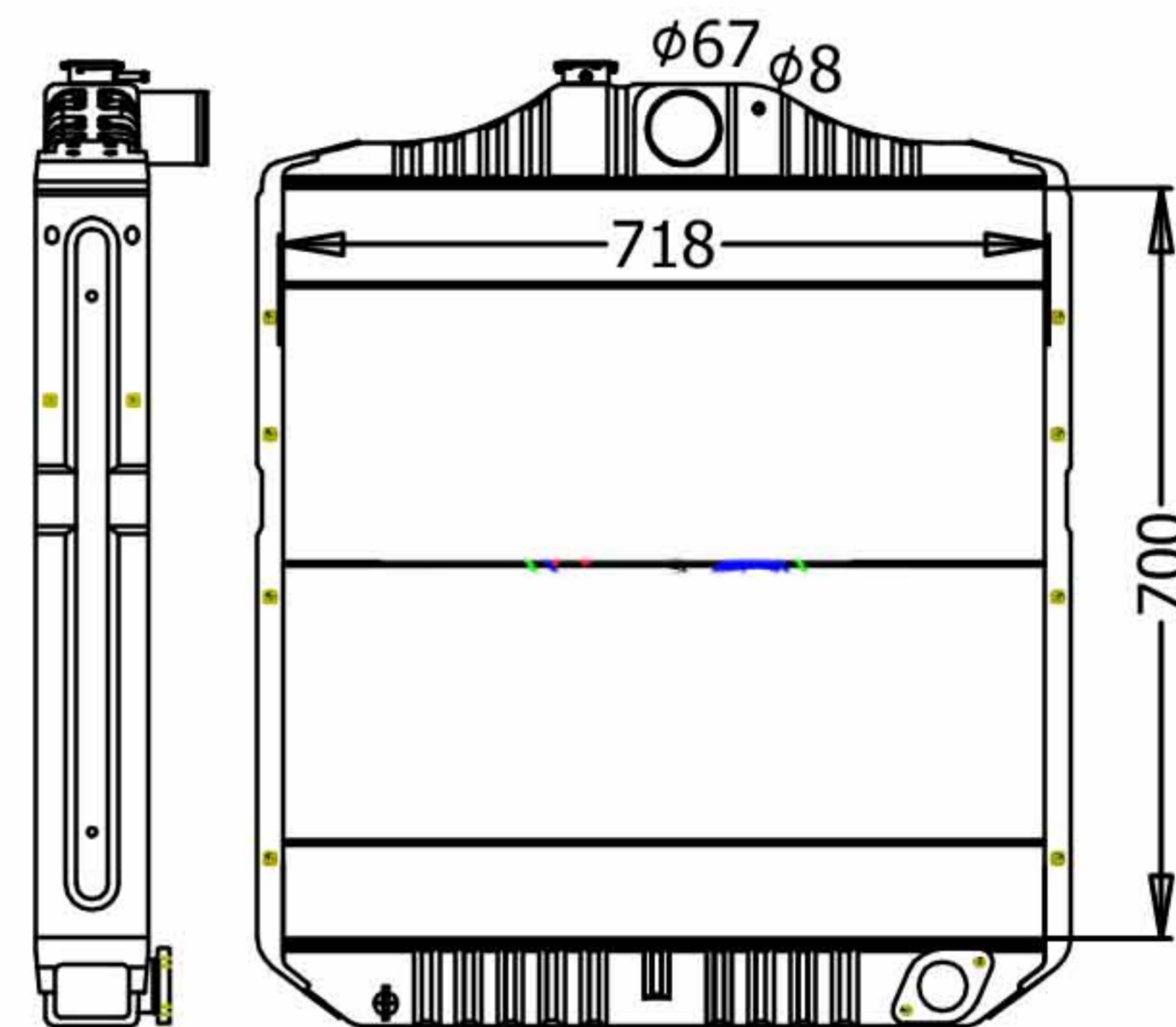
CARTYPE: NEW SMALL MITSUBISHI DRAG HEAD  
(新款小三菱拖头) MT  
CORE SIZE: BC 700x718x64 TANK SIZE:735x95  
CARTON:  
OEM:  
DPI:

MI-14027



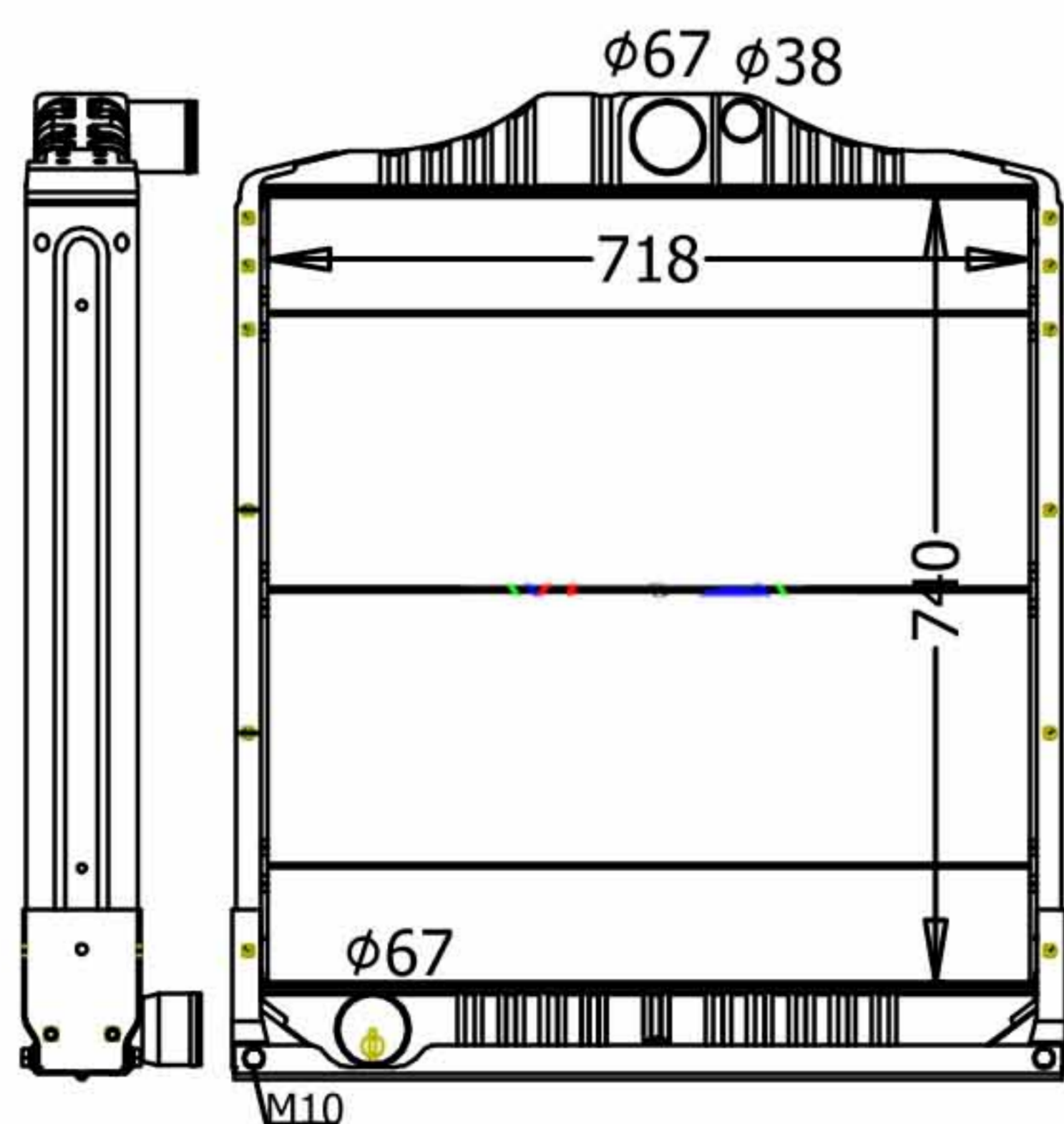
CARTYPE: OLD SMALL MITSUBISHI DRAG HEAD  
(旧款小三菱拖头) MT  
CORE SIZE: BC 700x718x64 TANK SIZE:735x95  
CARTON:  
OEM:  
DPI:

MI-14028



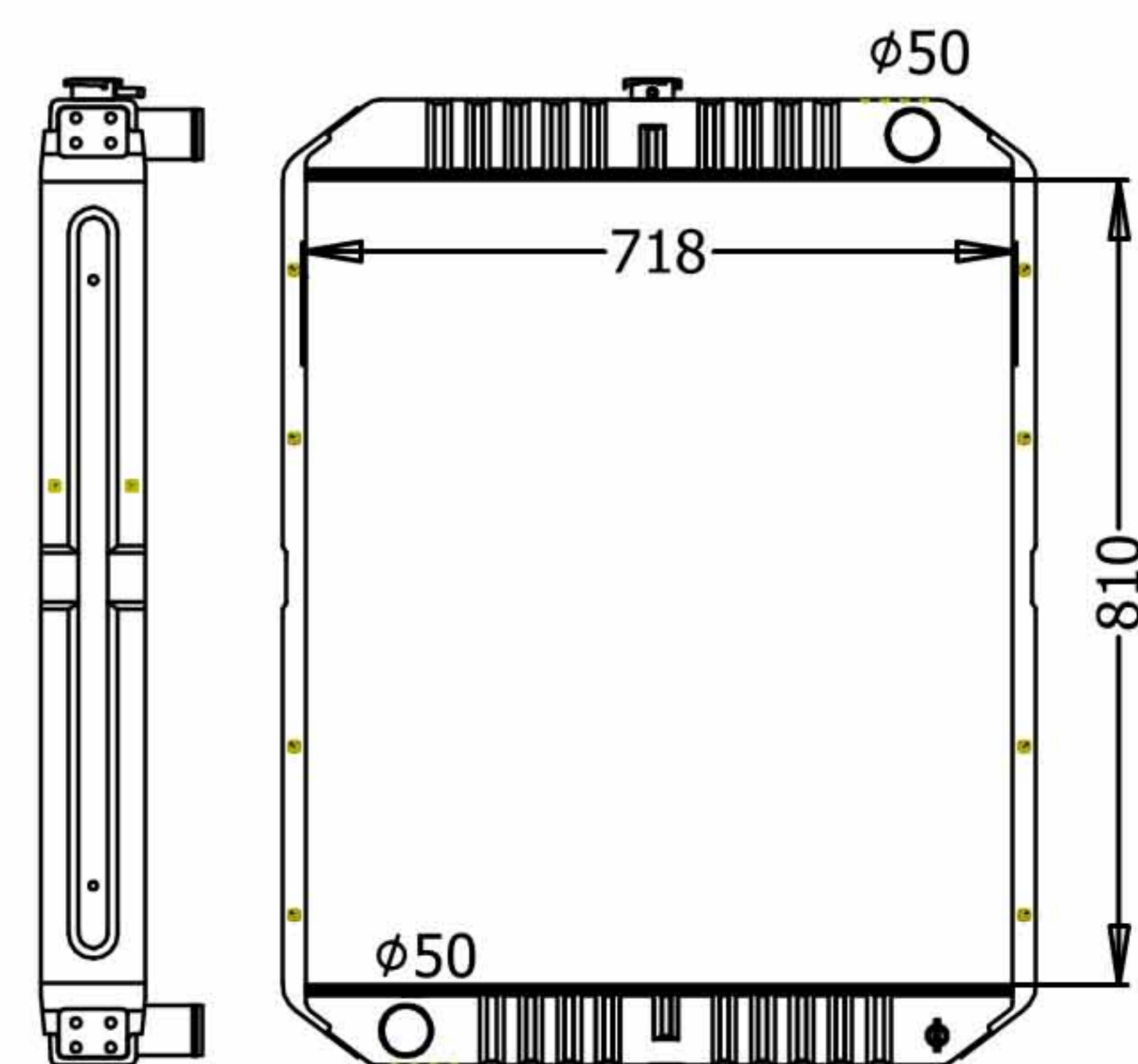
CARTYPE: SMALL MITSUBISHI HOOK MACHINE (小三菱  
钩机) MT  
CORE SIZE: BC 700x718x64 TANK SIZE:735x95  
CARTON:  
OEM:  
DPI:

MI-14029



CARTYPE: JIANG HUAI MIXER(江淮搅拌机) MT  
CORE SIZE: BC 740x718x64 TANK SIZE:735x95  
CARTON:675x557x110  
OEM:  
DPI:

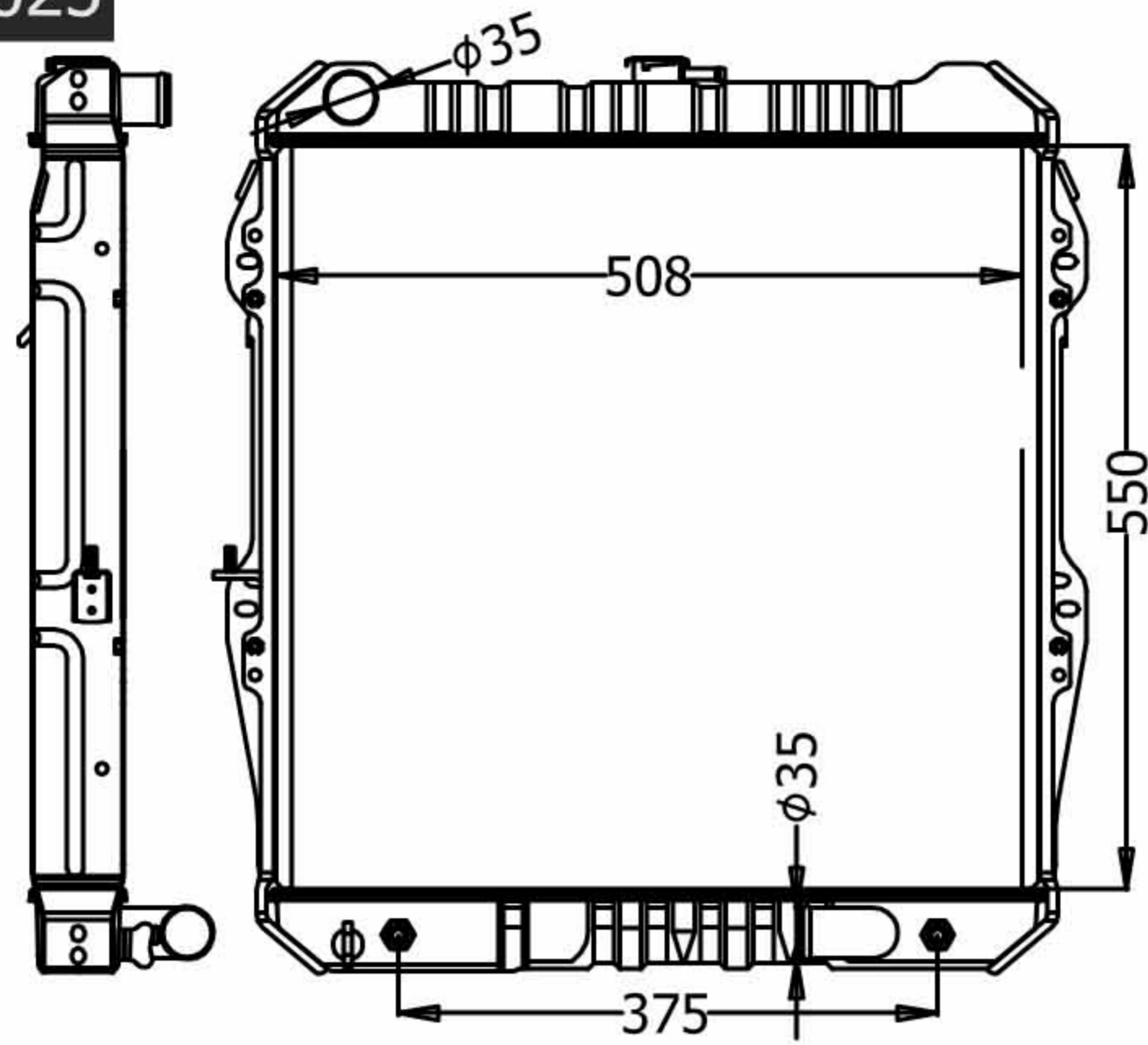
MI-14030



CARTYPE: BIG MITSUBISHI DRAG HEAD  
(大三菱拖头) MT  
CORE SIZE: BC 810x718x64 TANK SIZE:735x95  
CARTON:  
OEM:  
DPI:

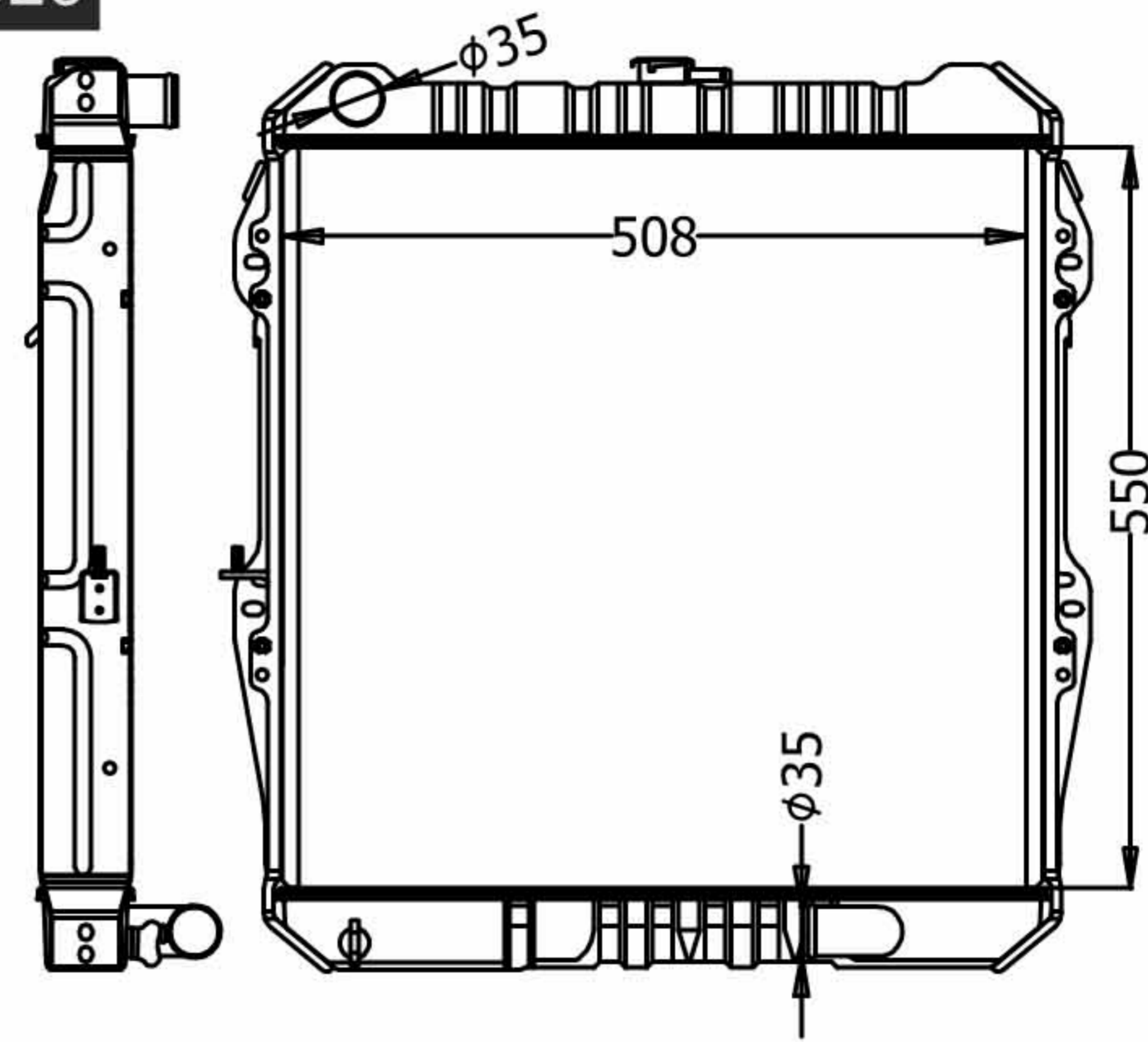
# TOYOTA

TO-12025



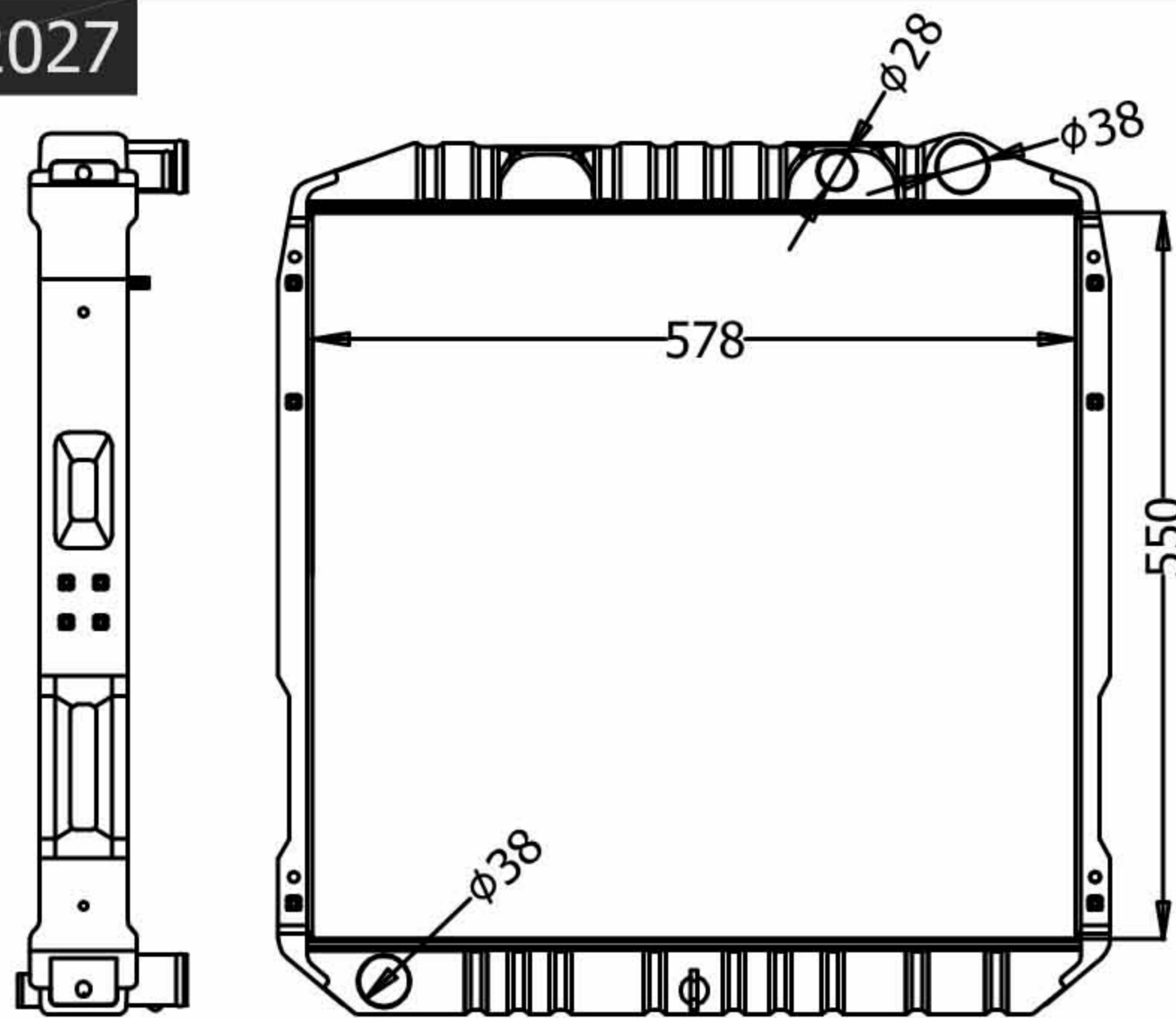
CARTYPE: HILUX2.4 88-97 海拉克斯 AT  
 CORE SIZE: BC 550x508x49 TANK SIZE: 535\*65  
 CARTON:  
 OEM:  
 DPI:

TO-12026



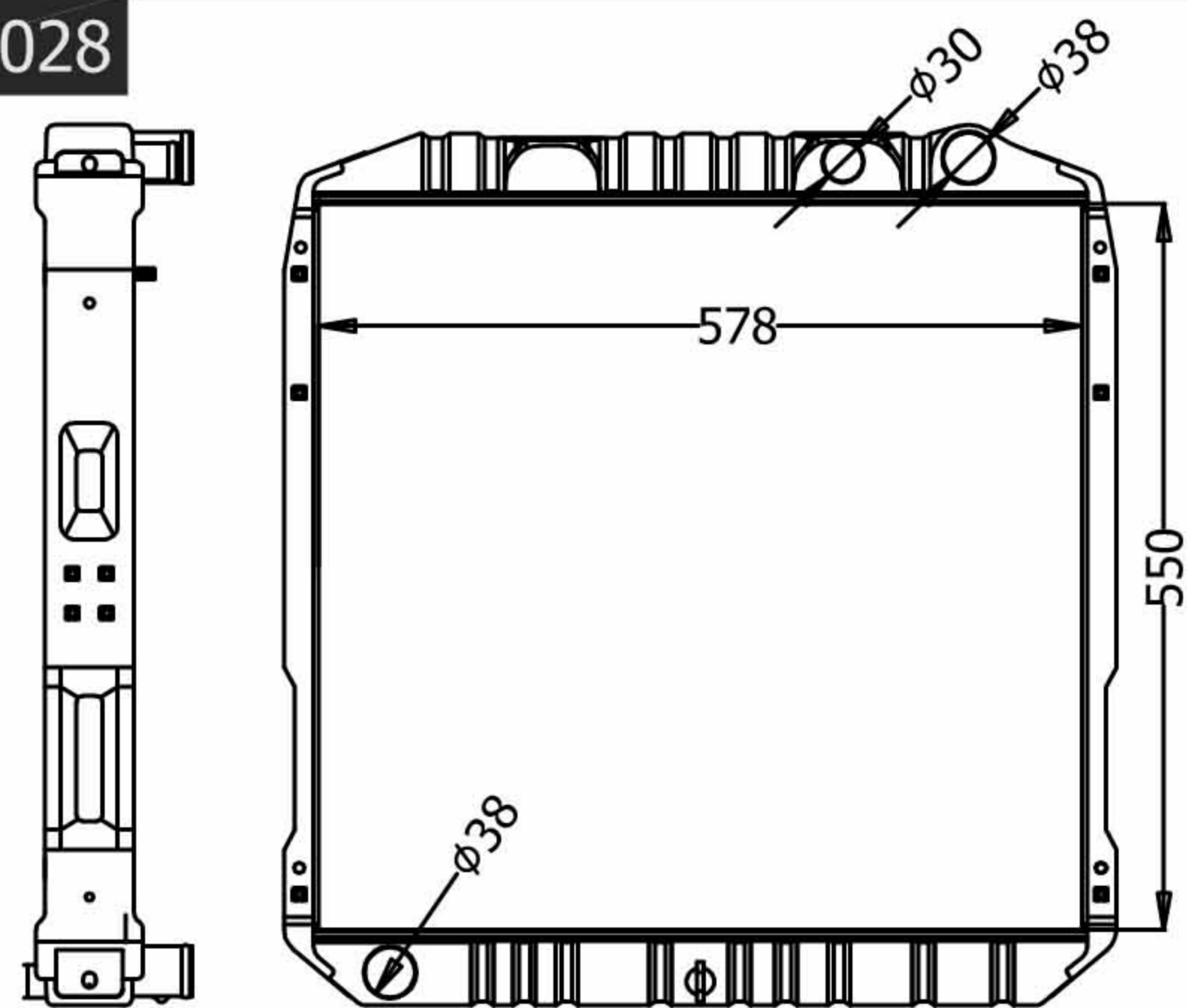
CARTYPE: HILUX2.4 88-97 海拉克斯 MT  
 CORE SIZE: BC 550x508x49 TANK SIZE: 535\*65  
 CARTON:  
 OEM:  
 DPI:

TO-12027



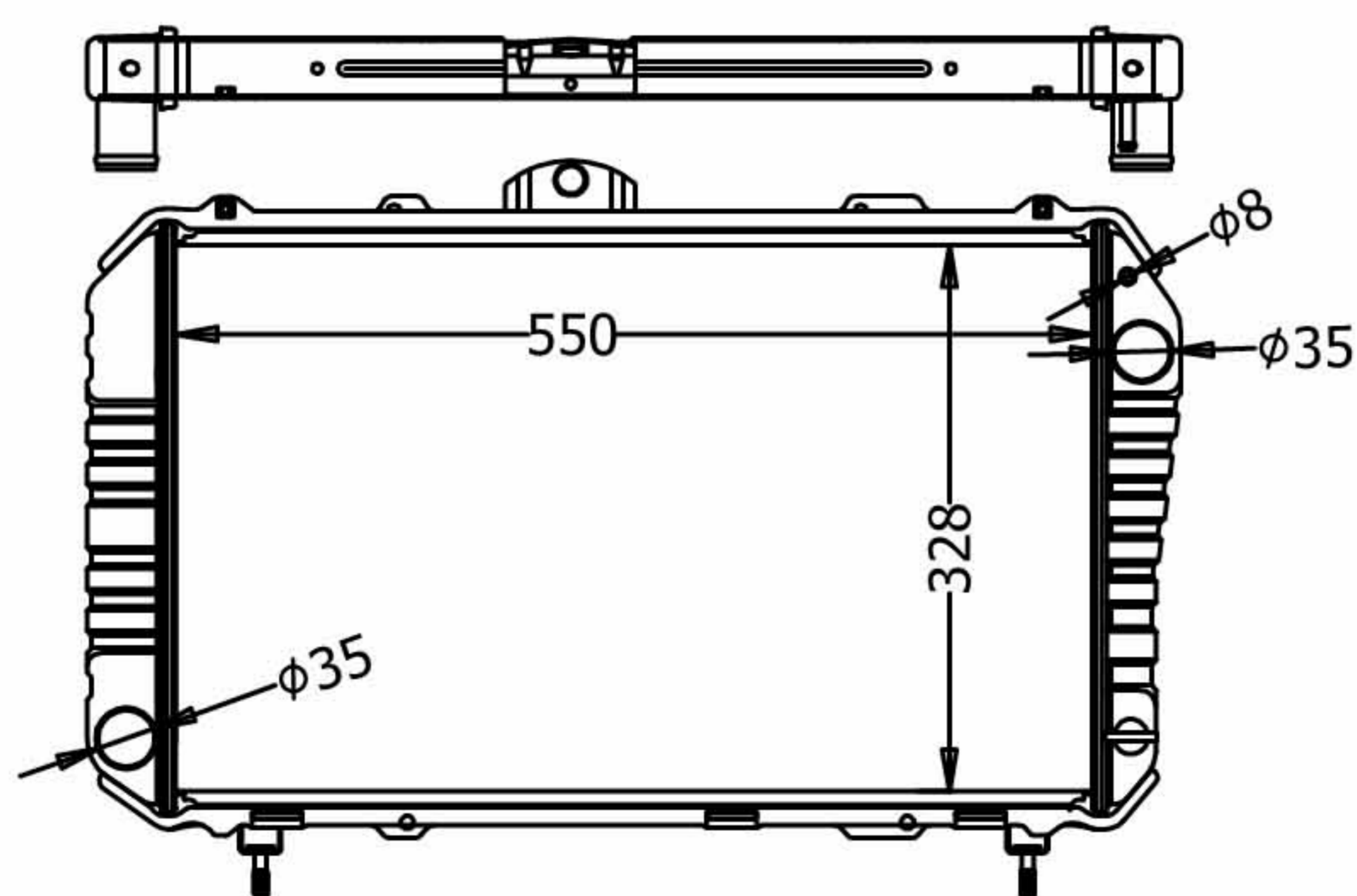
CARTYPE: COASTER'00-KC-BB40/BB46V(汽油) (丰田中吧) MT  
 CORE SIZE: BC 550x578x32 TANK SIZE: 600\*74  
 CARTON: 705\*650\*145  
 OEM: 16400-58570/1  
 DPI:

TO-12028



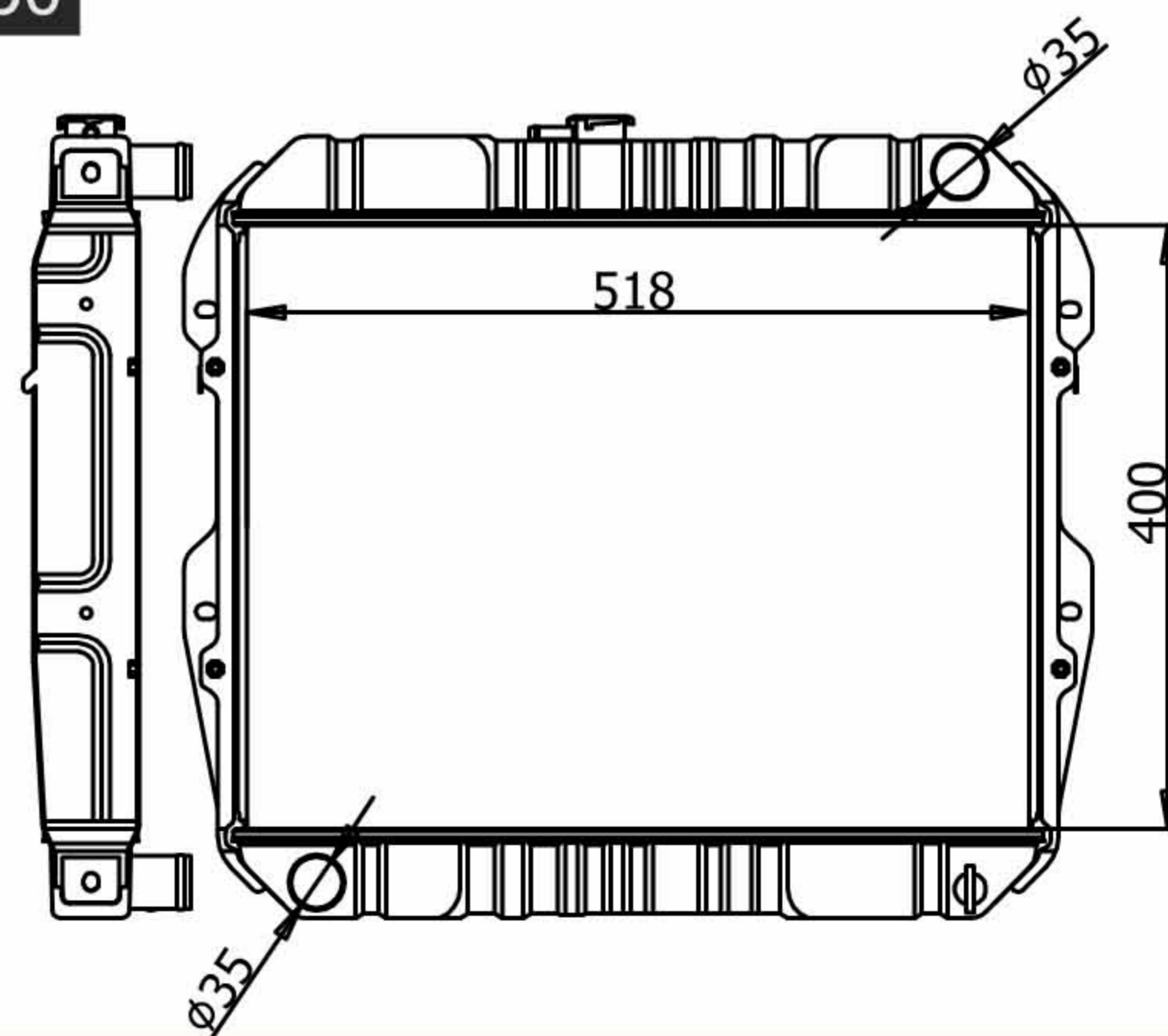
CARTYPE: COASTER'00-KC-BB40/BB46V(汽油) (丰田中吧) MT  
 CORE SIZE: BC 550x578x49 TANK SIZE: 600\*74  
 CARTON: 705\*650\*145  
 OEM:  
 DPI:

TO-12029



CARTYPE: 92'TOWN-ACE(小霸王) MT  
 CORE SIZE: BC 550x328x32 TANK SIZE: 350\*46  
 CARTON: 640\*565\*135  
 OEM:  
 DPI:

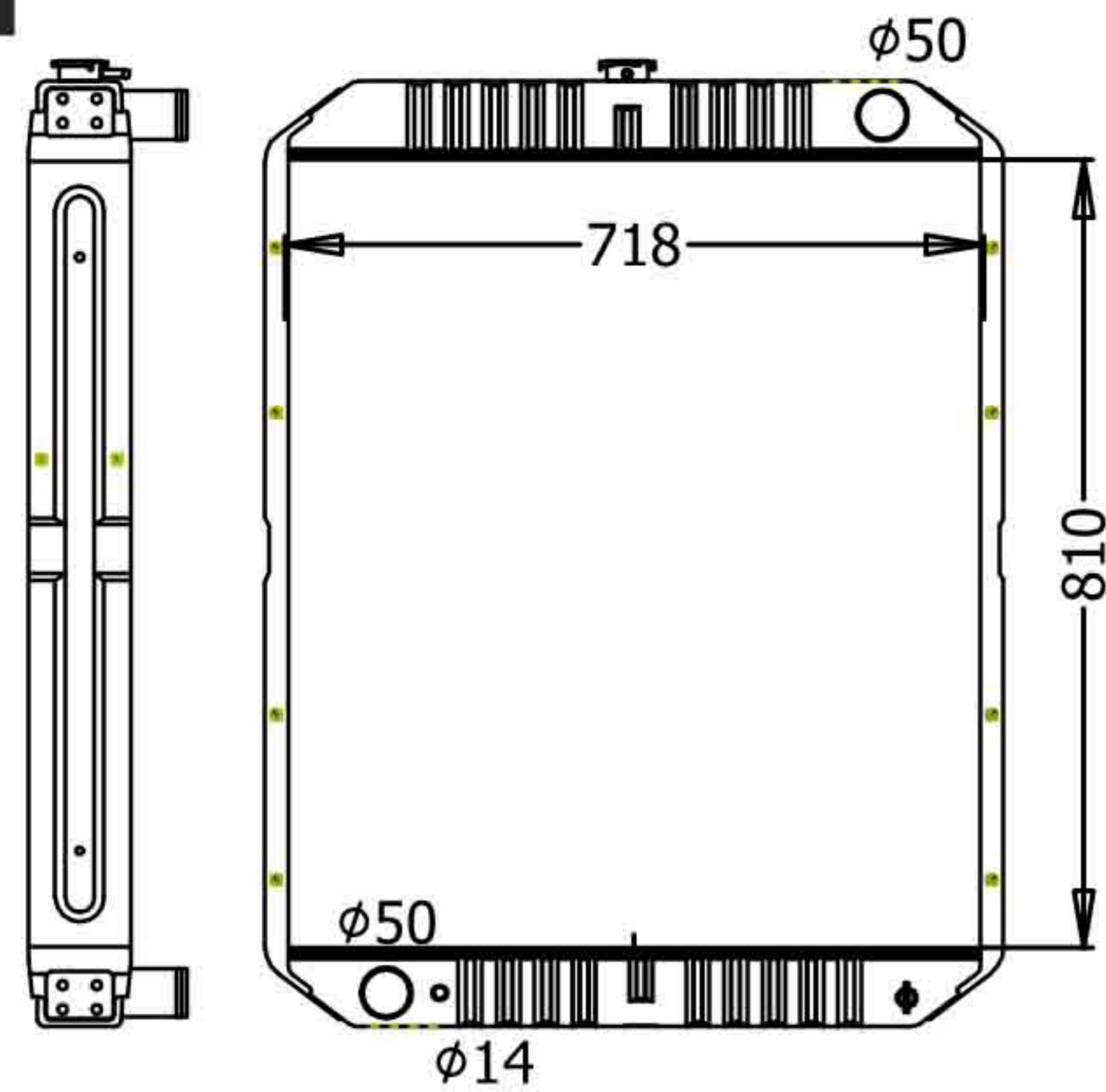
TO-12030



CARTYPE: HIACUX YN86/106/110 RN60/65/106 MT  
 CORE SIZE: BC 400x518x49 TANK SIZE: 535\*60  
 CARTON: 620\*570\*130  
 OEM:  
 DPI:

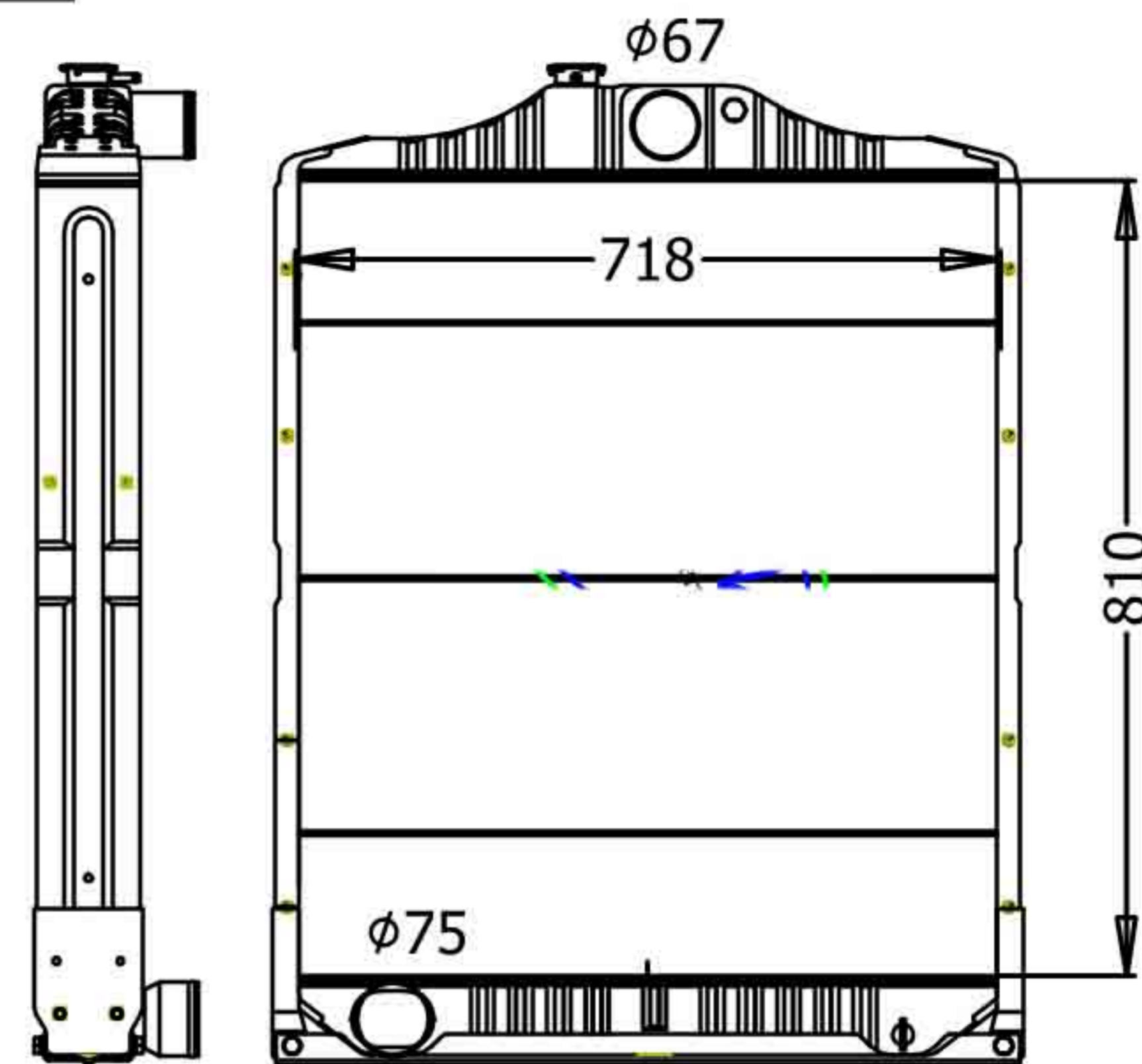
# MITSUBISHI

**MI-14031**



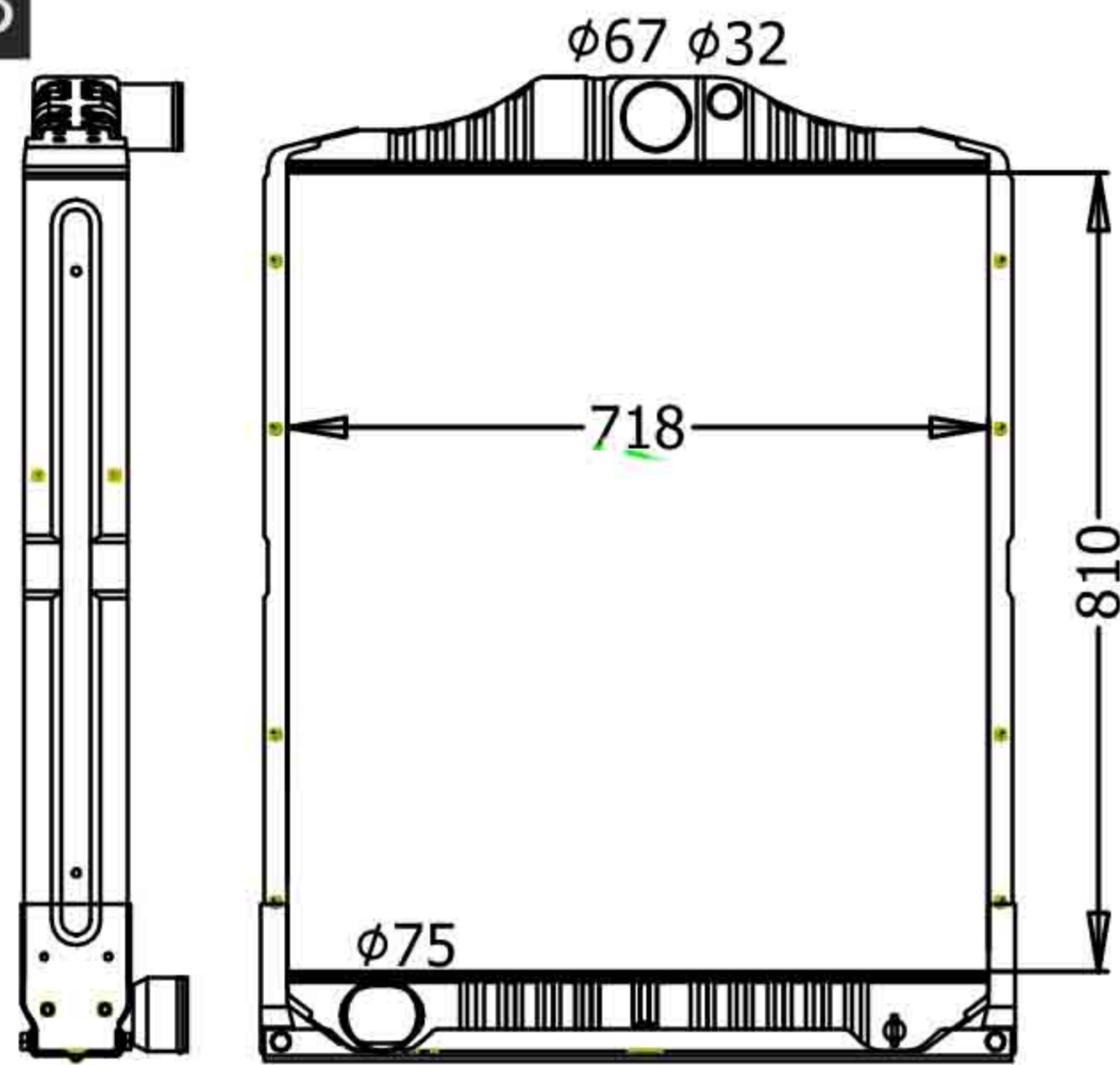
CARTYPE: BIG MITSUBISHI HOOK MACHINE (大三菱勾机) MT  
 CORE SIZE: BC 810x718x64 TANK SIZE:735x95  
 CARTON:  
 OEM:  
 DPI:

**MI-14032**



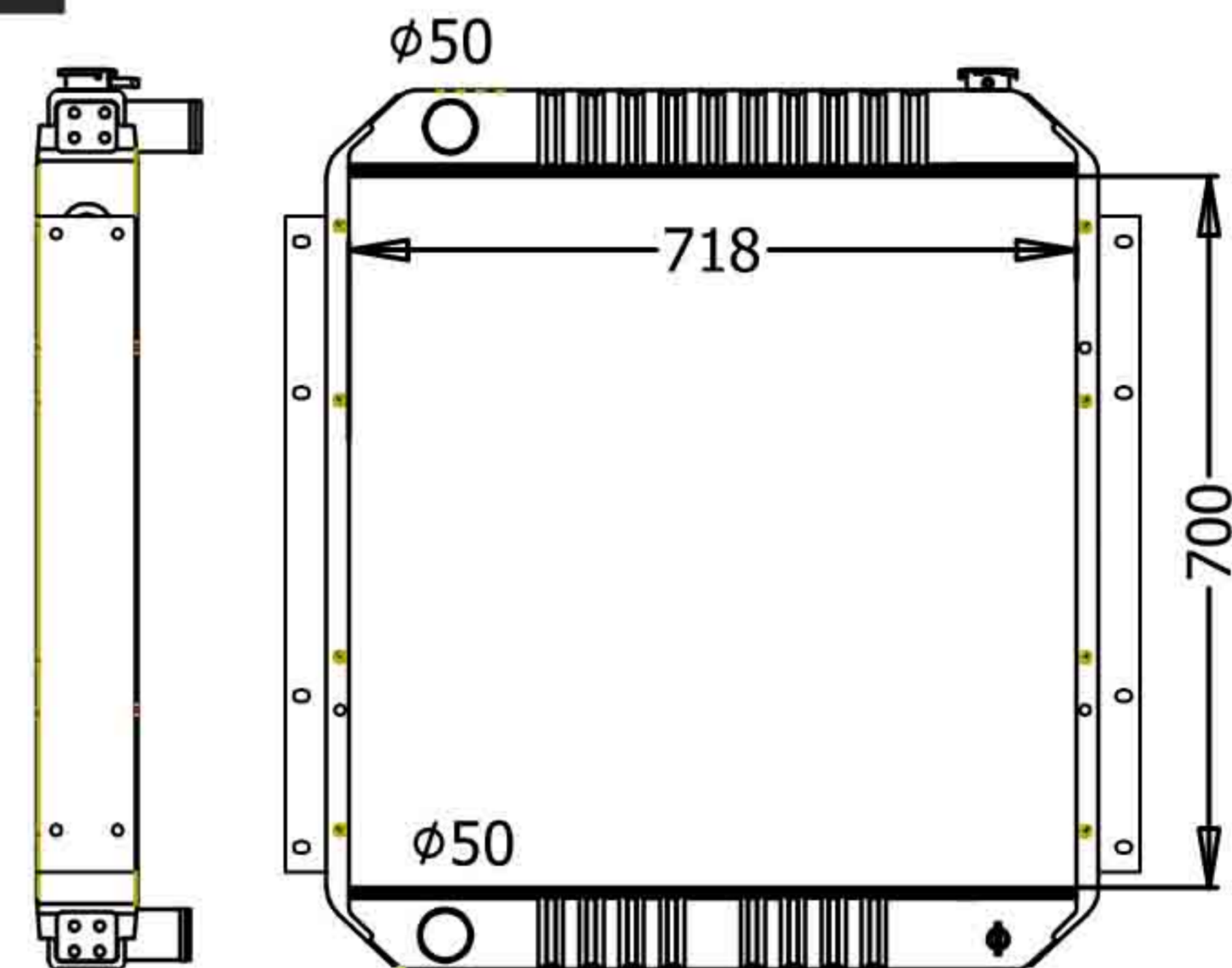
CARTYPE: NEW BIG MITSUBISHI DRAG HEAD (新款大三菱拖头) MT  
 CORE SIZE: BC 810x718x64 TANK SIZE:735x95  
 CARTON:  
 OEM:  
 DPI:

**MI-14033**



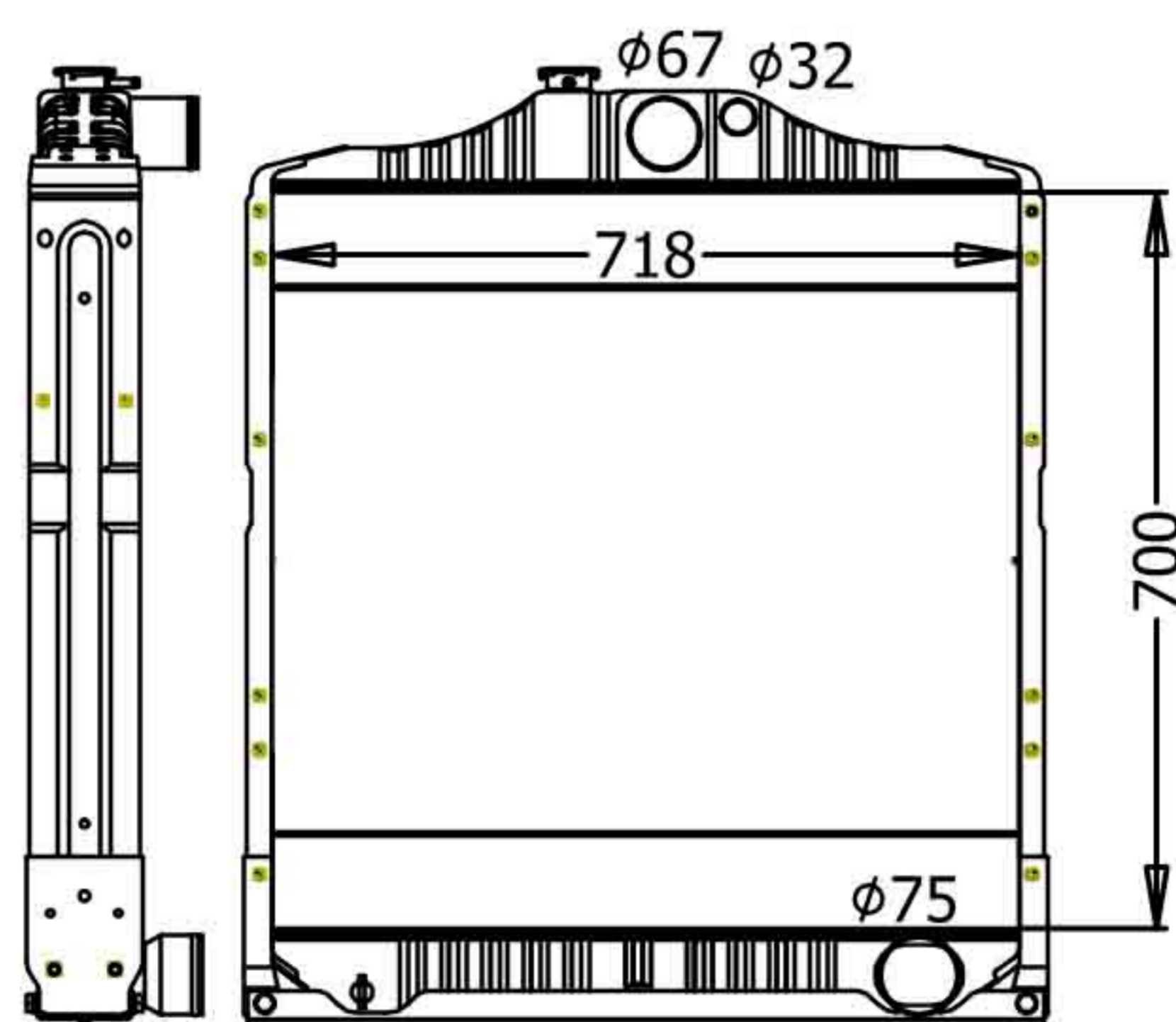
CARTYPE: OLD BIG MITSUBISHI DRAG HEAD (旧款大三菱拖头) MT  
 CORE SIZE: BC 810x718x64 TANK SIZE:735x95  
 CARTON:  
 OEM:  
 DPI:

**MI-14034**



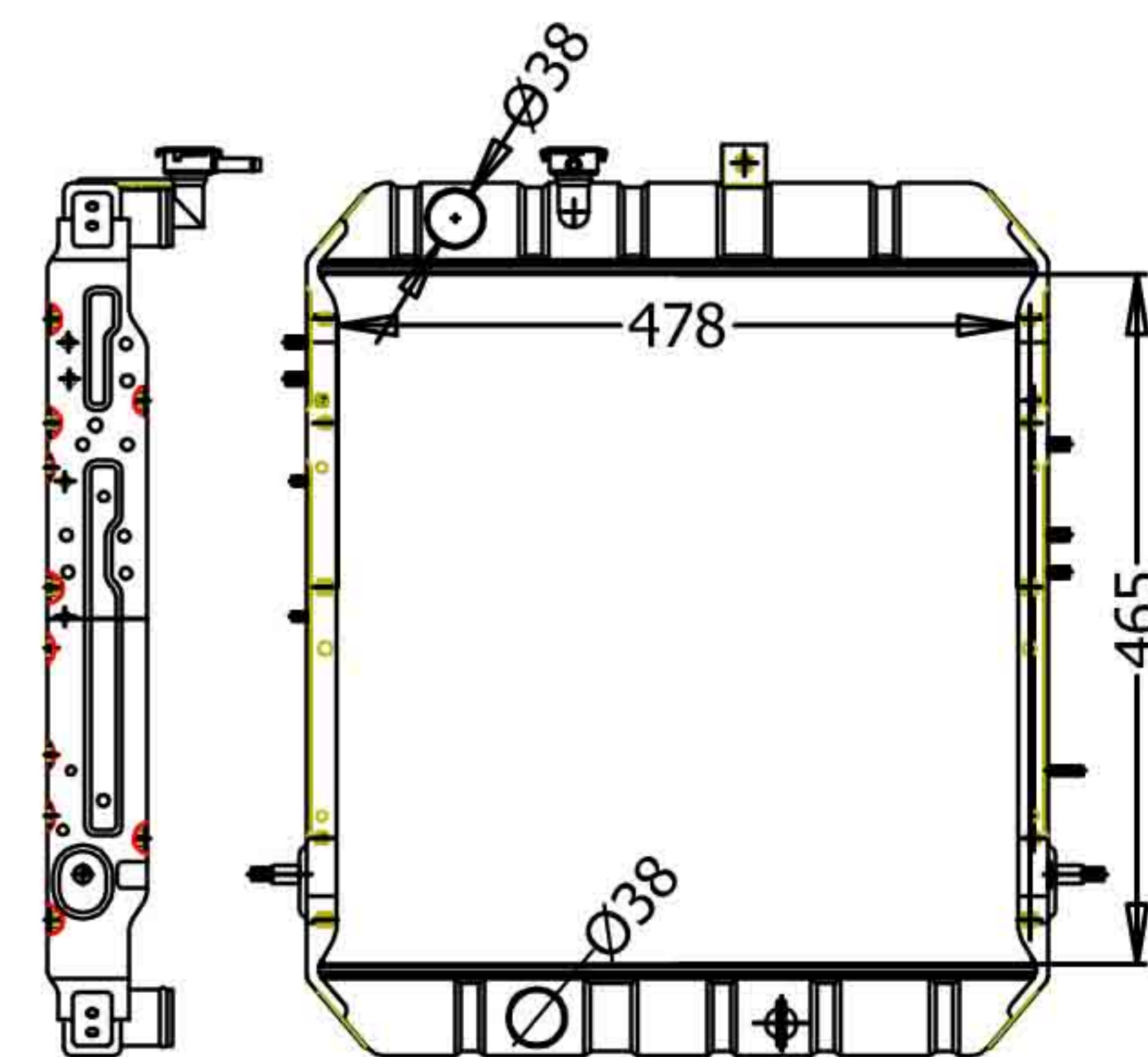
CARTYPE: MITSUBISHI EXCAVATOR (三菱挖掘) MT  
 CORE SIZE: BC 700x718x64 TANK SIZE:735x95  
 CARTON:  
 OEM:  
 DPI:

**MI-14035**



CARTYPE: MITSUBISHI (三菱) MT  
 CORE SIZE: BC 700x718x64 TANK SIZE:735x95  
 CARTON:  
 OEM:  
 DPI:

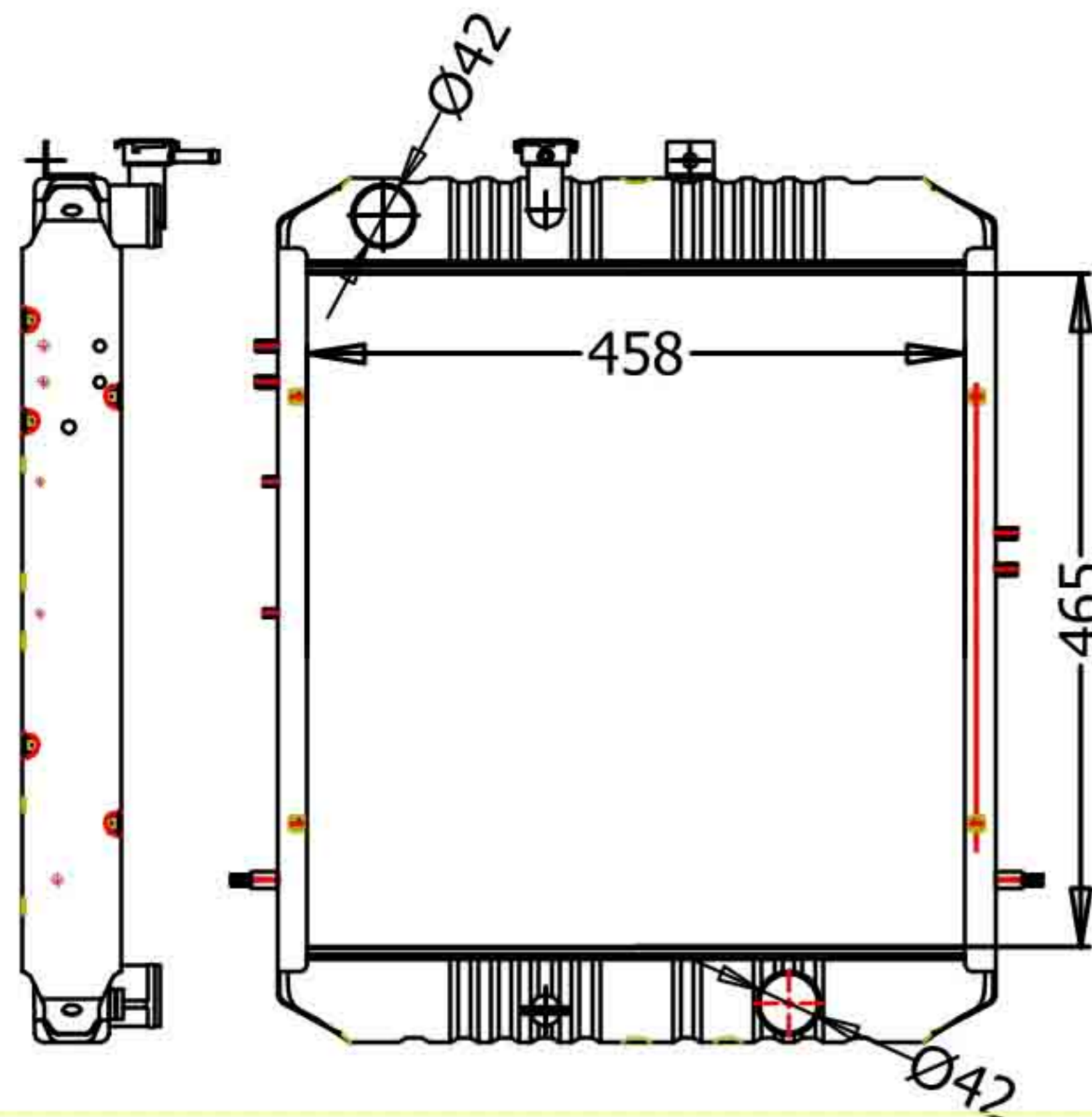
**MI-14036**



CARTYPE: CANTER 4DR5 FB308A (三菱1050) MT  
 CORE SIZE: BC 465\*478\*32 TANK SIZE:490\*46  
 CARTON:  
 OEM: MB390020/MB390167  
 DPI:

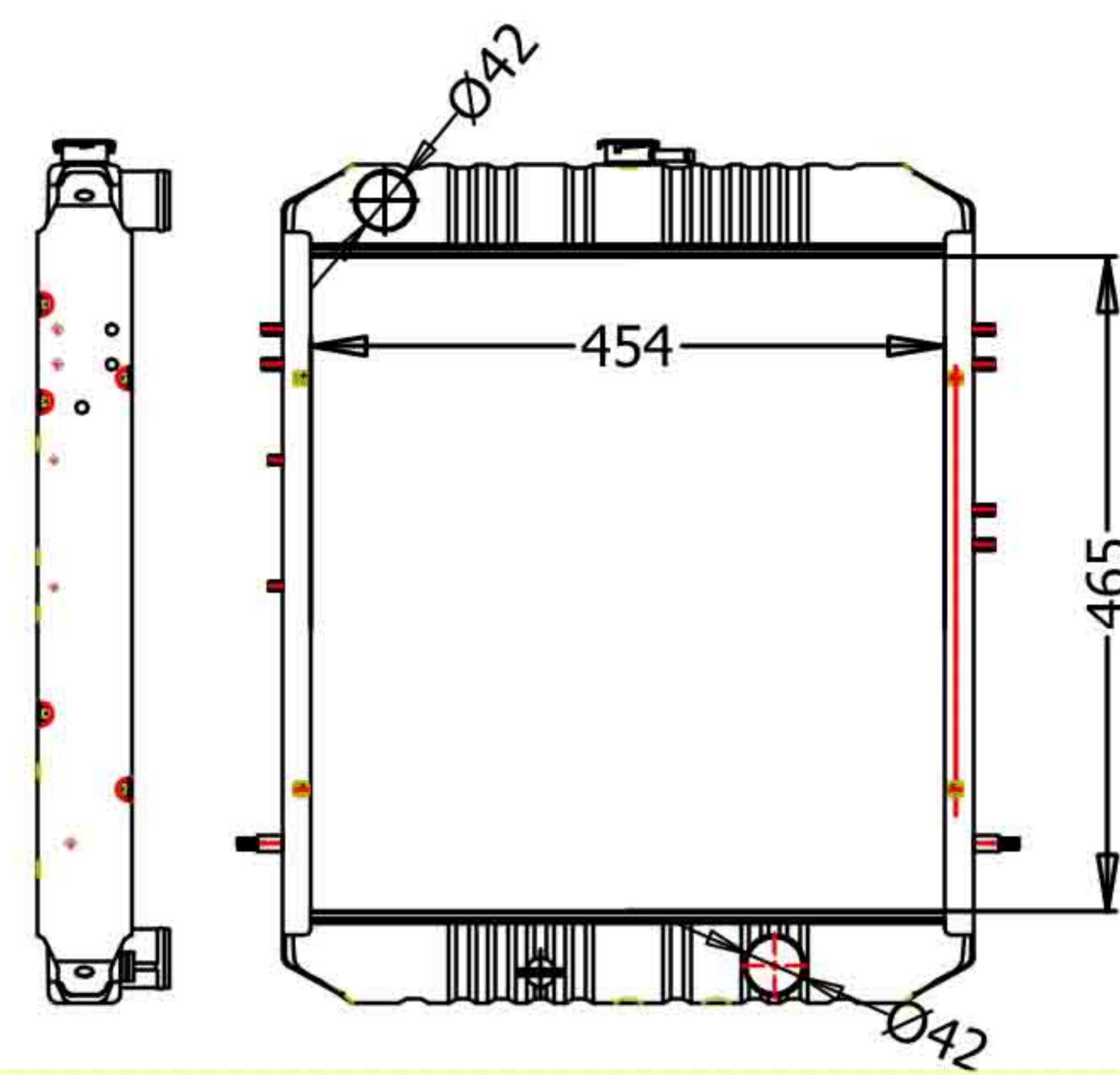
# MITSUBISHI

MI-14037



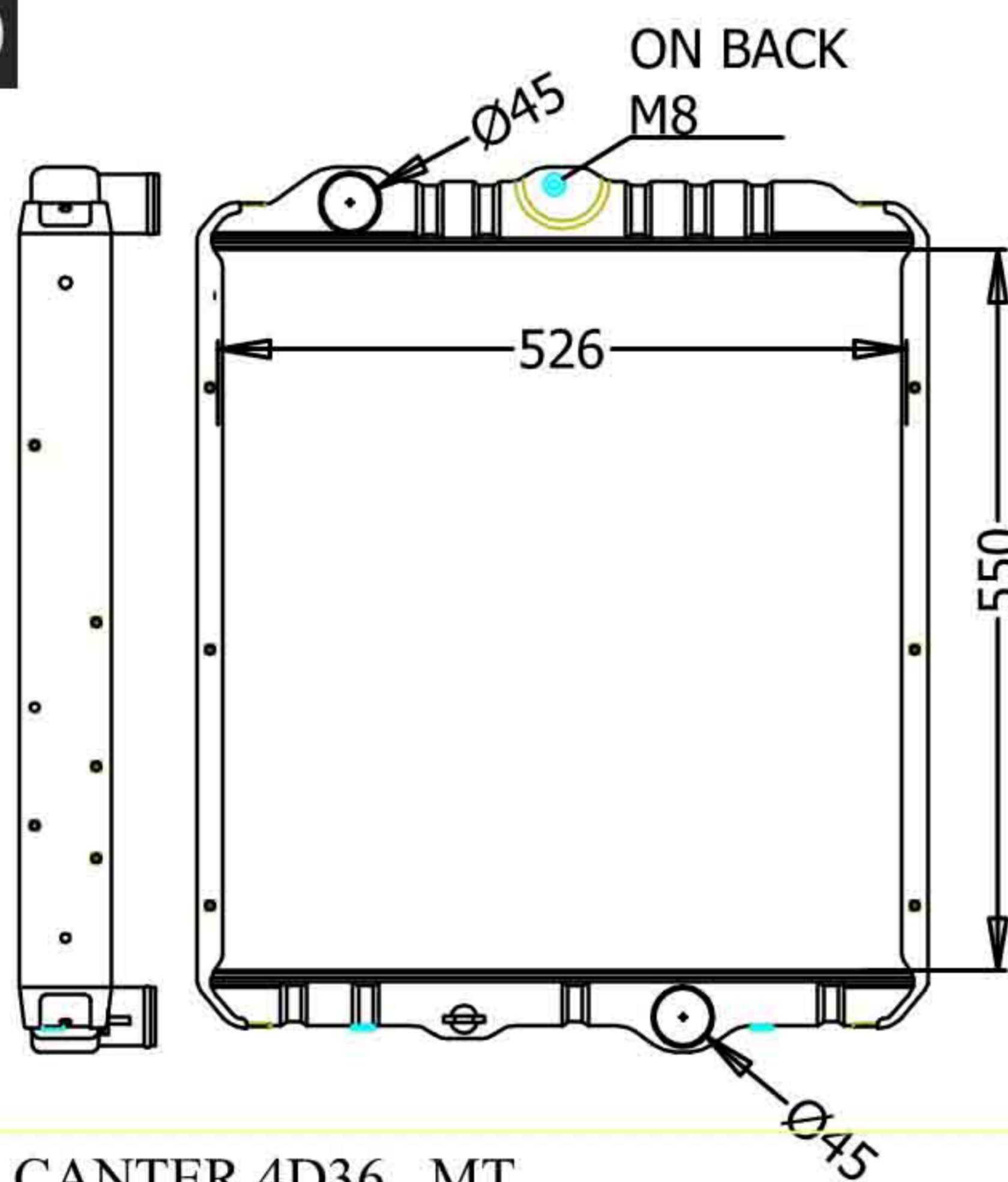
CARTYPE: 4L CANTER 4032 YEAR '94 (三菱0150) MT  
 CORE SIZE: BC 465\*458\*49 TANK SIZE: 490\*60  
 CARTON:  
 OEM: MR000858  
 DPI:

MI-14038



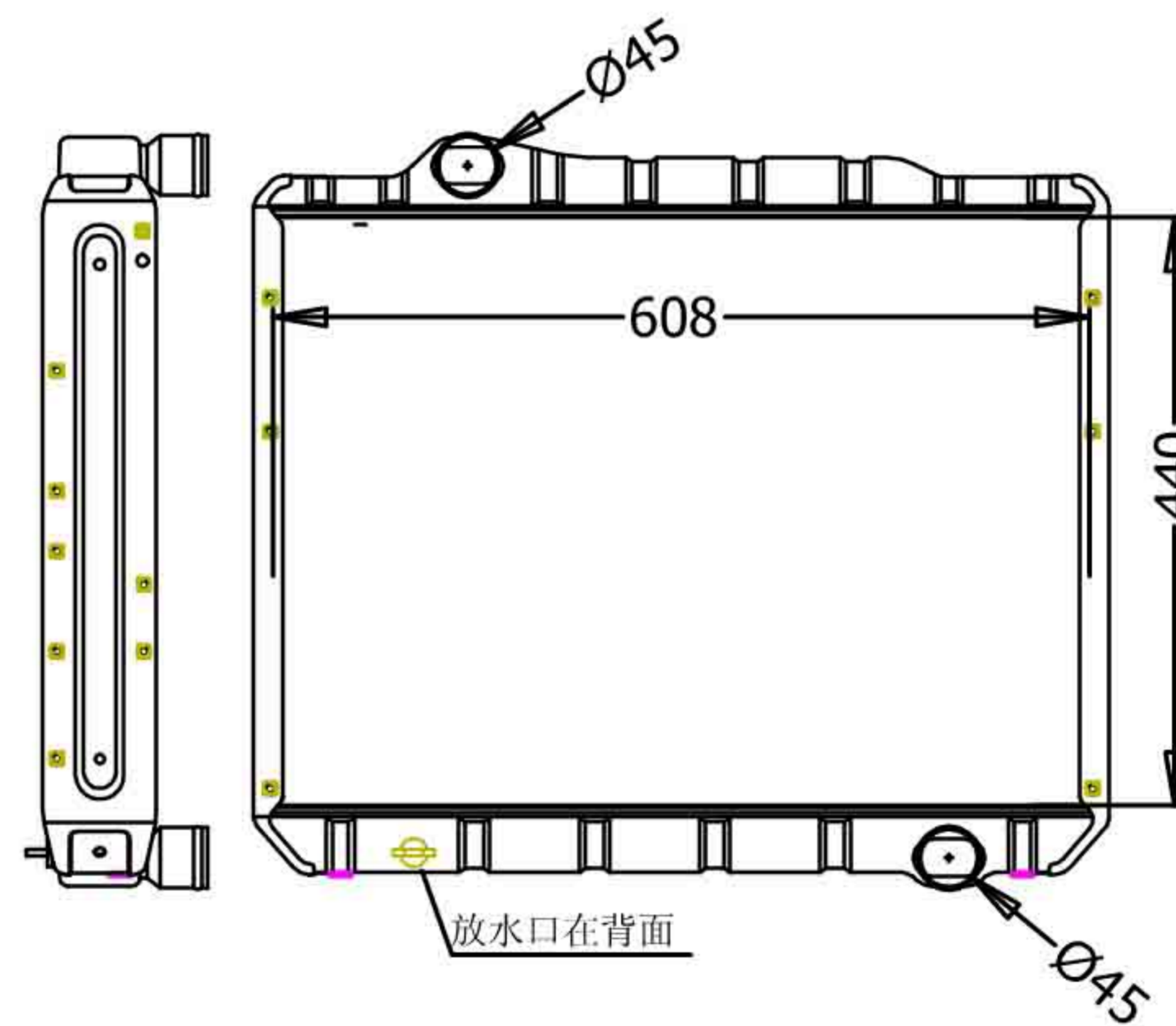
CARTYPE: CANTER CANTER 4.8T/6.8T 92-95 (三菱0166) MT  
 CORE SIZE: BC 470\*454\*49 TANK SIZE:490\*60  
 CARTON:  
 OEM:  
 DPI:

MI-14039



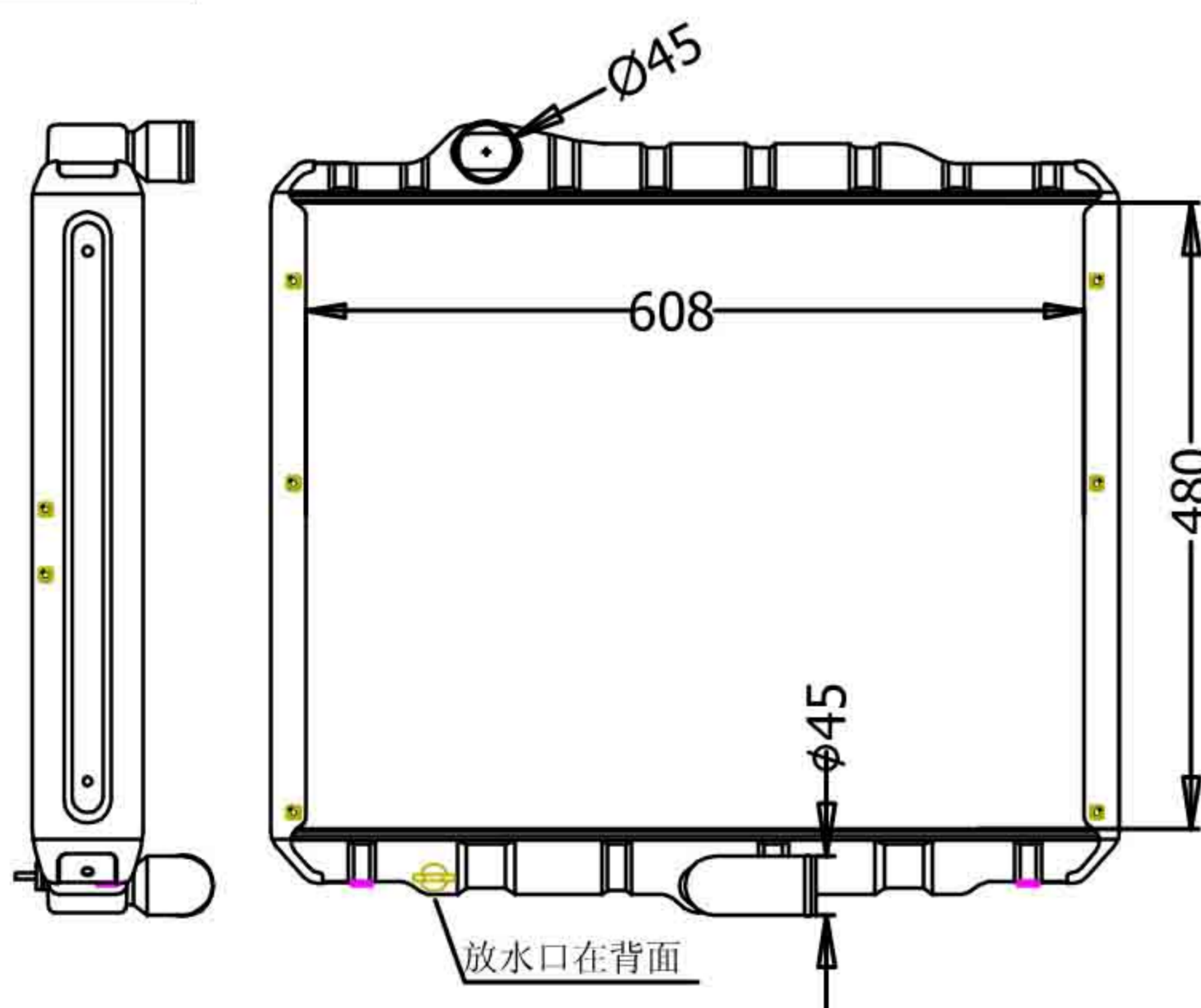
CARTYPE: CANTER 4D36 MT  
 CORE SIZE: BC 550x526x49 TANK SIZE:  
 CARTON:  
 OEM: MC127008  
 DPI:

MI-14040



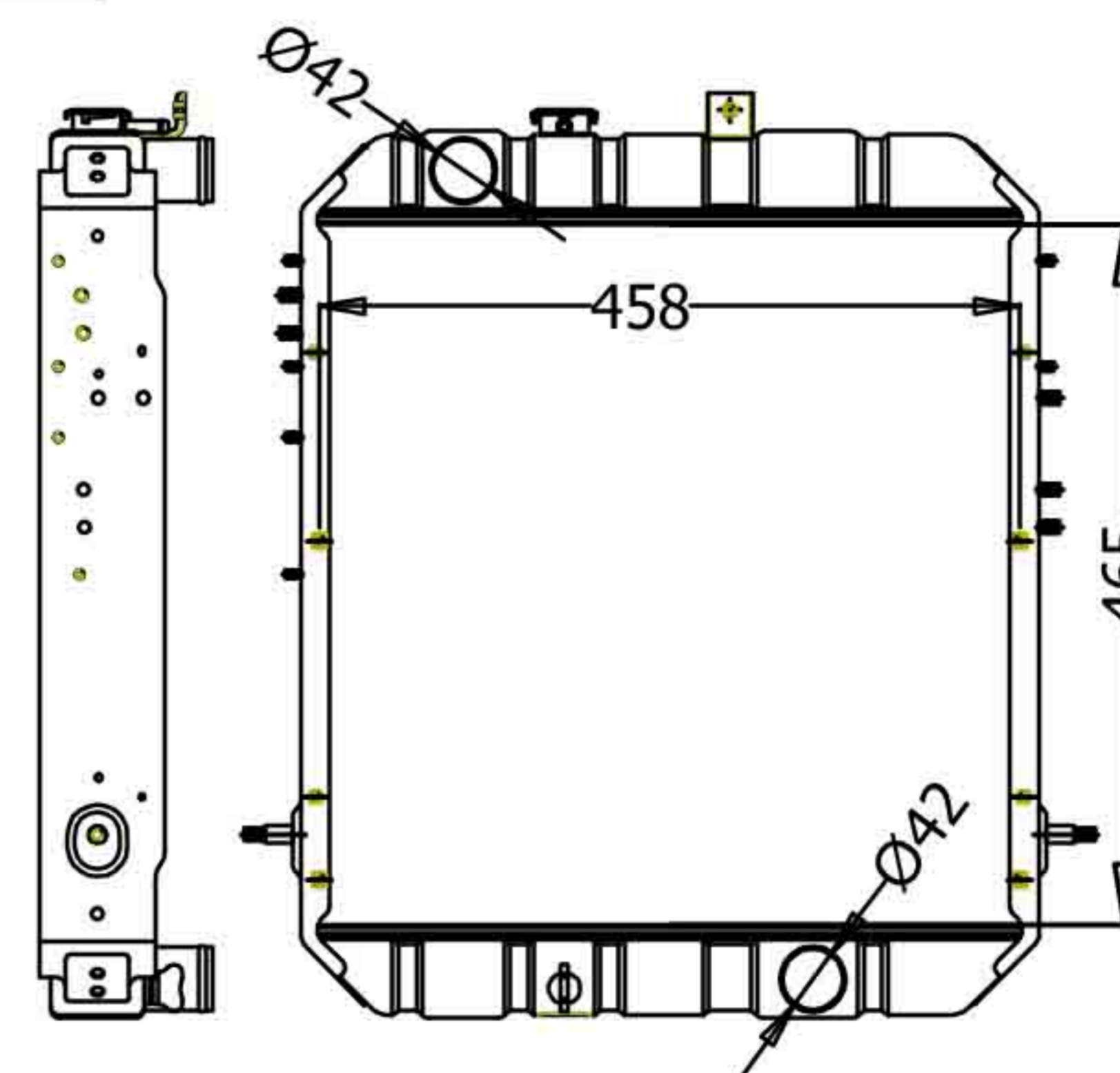
CARTYPE: FUSO BUS KK-BG64EG 4M51 4D36 4D33 MT  
 CORE SIZE: BC 440x608x49 TANK SIZE:  
 CARTON:  
 OEM: MC189009  
 DPI:

MI-14041



CARTYPE: FUSO BUS KK-BG64EG 4M51 4D36 4D33 MT  
 CORE SIZE: BC 480x608x49 TANK SIZE:630\*69  
 CARTON:  
 OEM: MK522889  
 DPI:

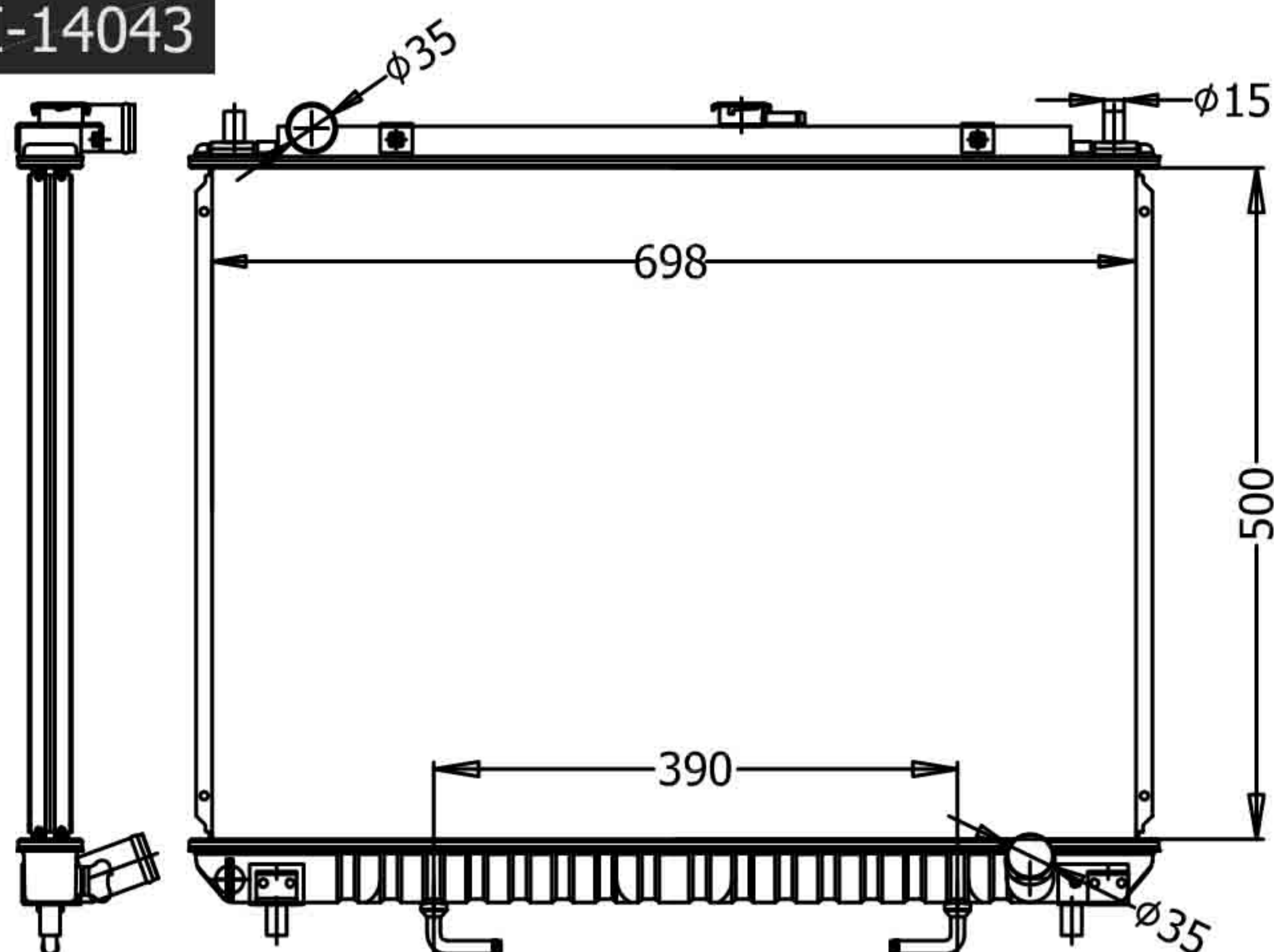
MI-14042



CARTYPE:CANTER CANTER 4.8T/6.8T 92-95 MT  
 CORE SIZE:BC 465\*458\*49 TANK SIZE:476\*70  
 CARTON:  
 OEM:  
 DPI:

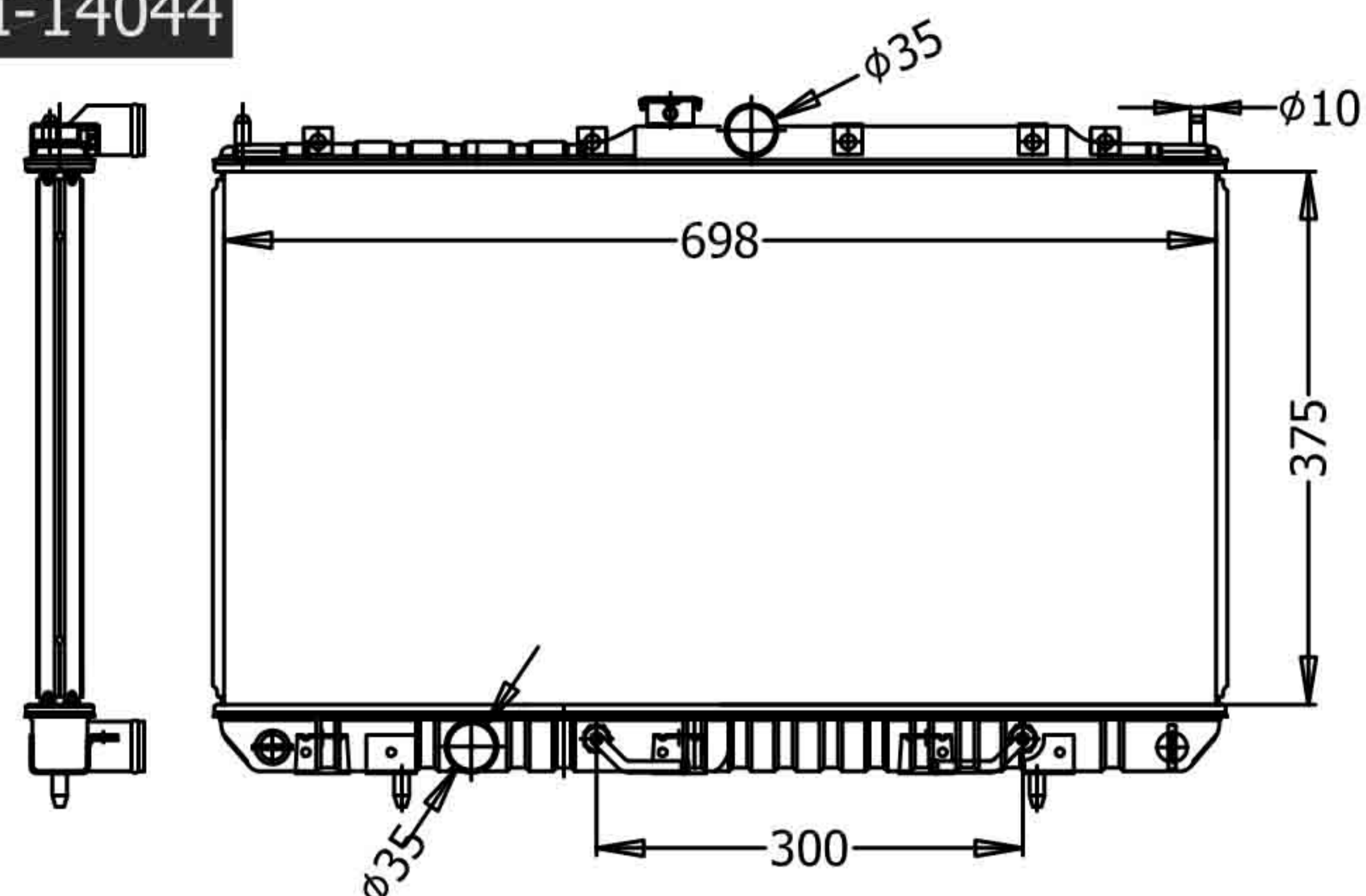
# mitsubishi

MI-14043



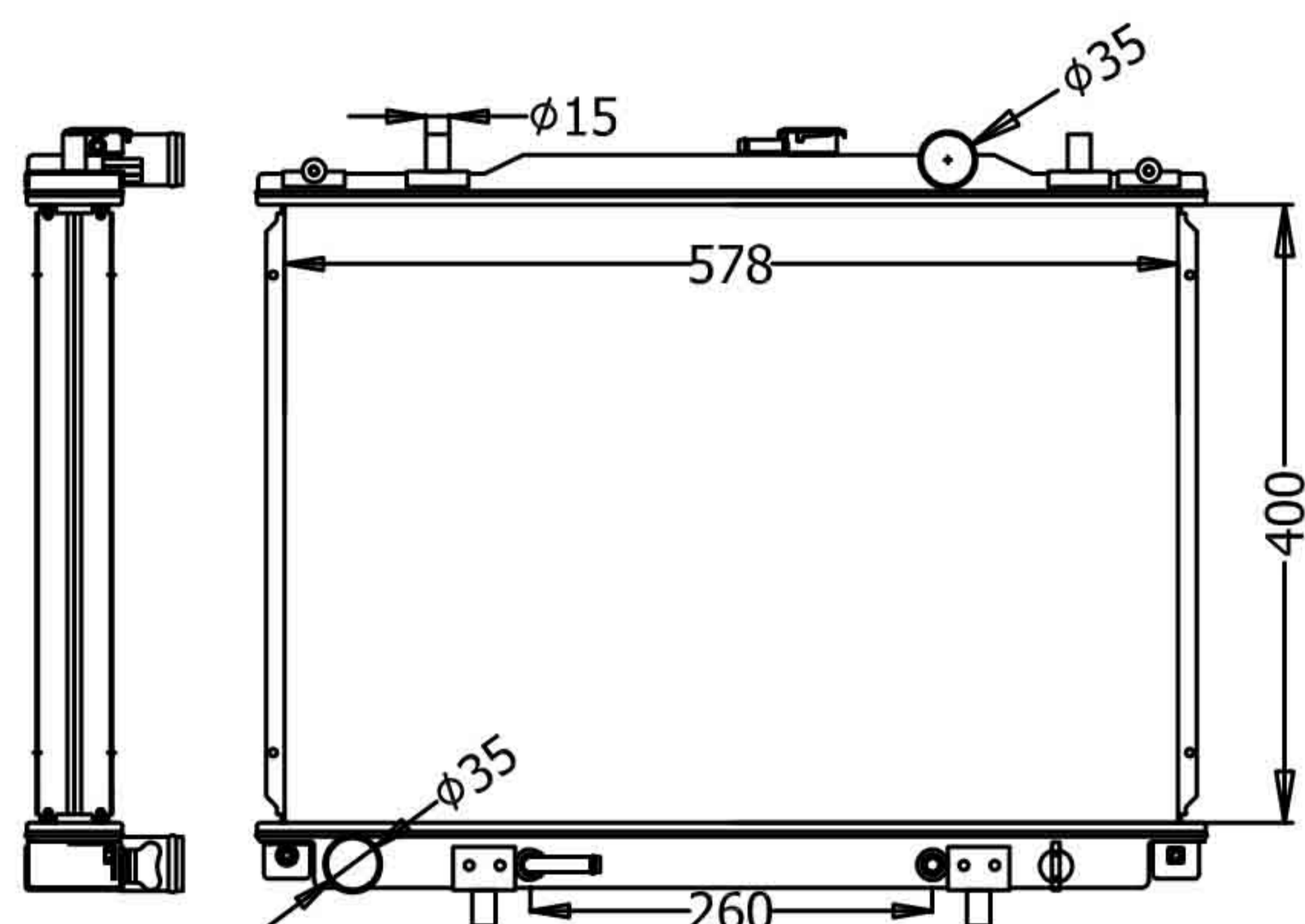
CARTYPE: PAJERO'2002 V73 AT  
 CORE SIZE: BC 500\*698\*49 TANK SIZE: 715\*60  
 CARTON:  
 OEM: MN135951/MN135949  
 DPI:

MI-14044



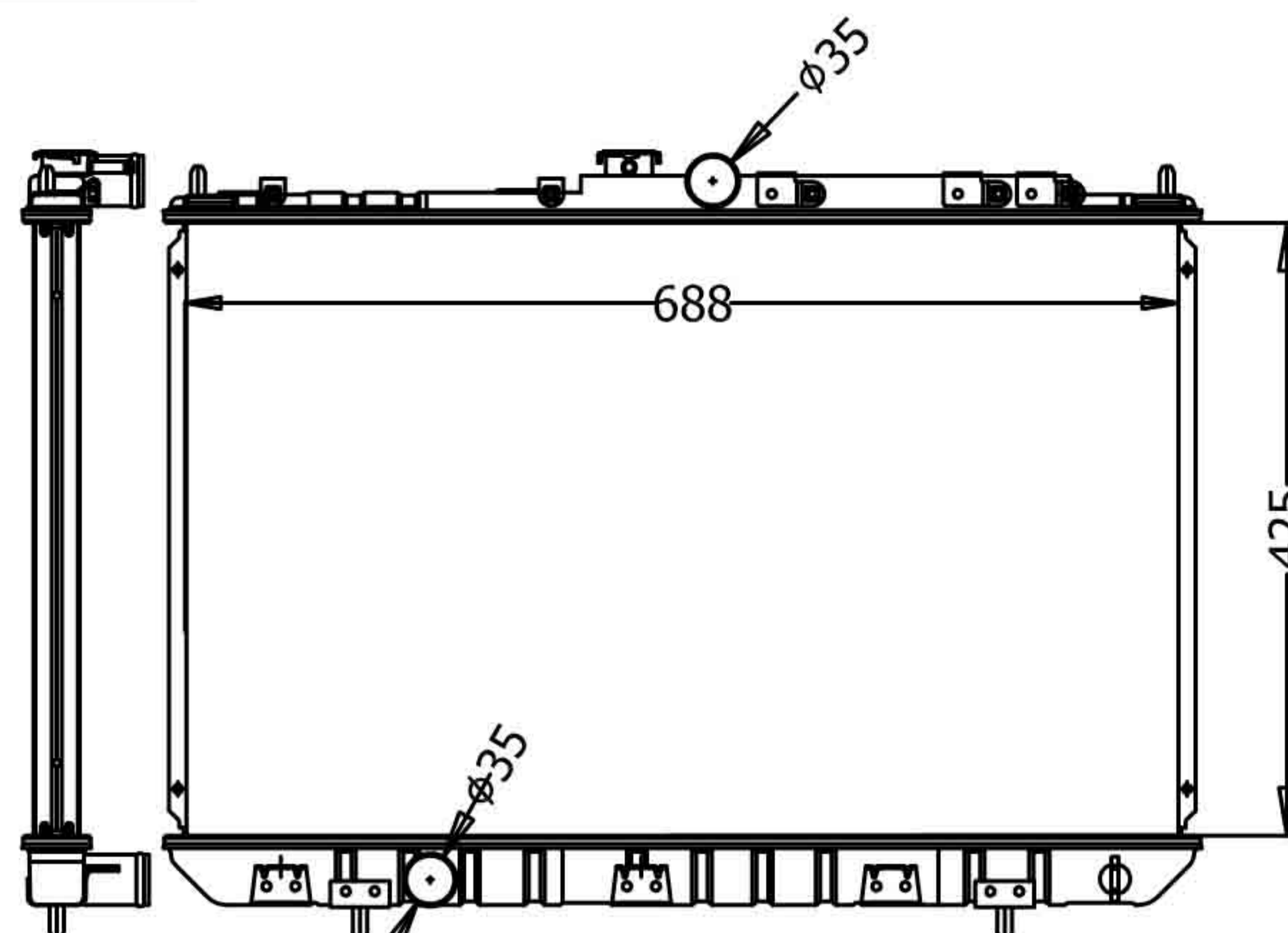
CARTYPE: LANCER'00-03 CS2W/CS5W AT  
 CORE SIZE: BC 375\*698\*32 TANK SIZE: 710\*46  
 CARTON:  
 OEM: MR571798/MR993259  
 DPI:

MI-14045



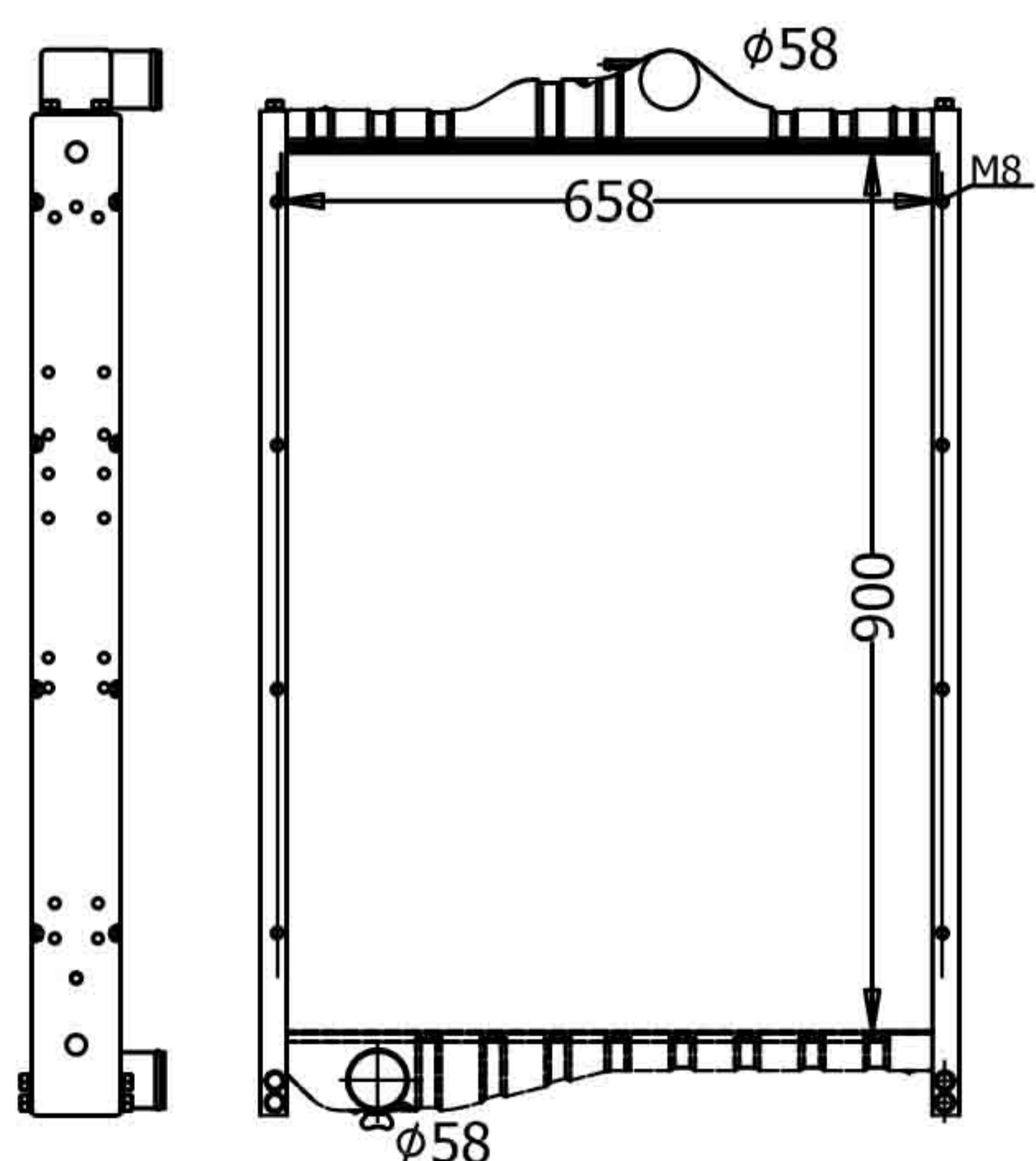
CARTYPE: FREECA WAVE 8-3R AT  
 CORE SIZE: BC 400\*578\*49 TANK SIZE: 612\*60  
 CARTON:  
 OEM:  
 DPI:

MI-14046



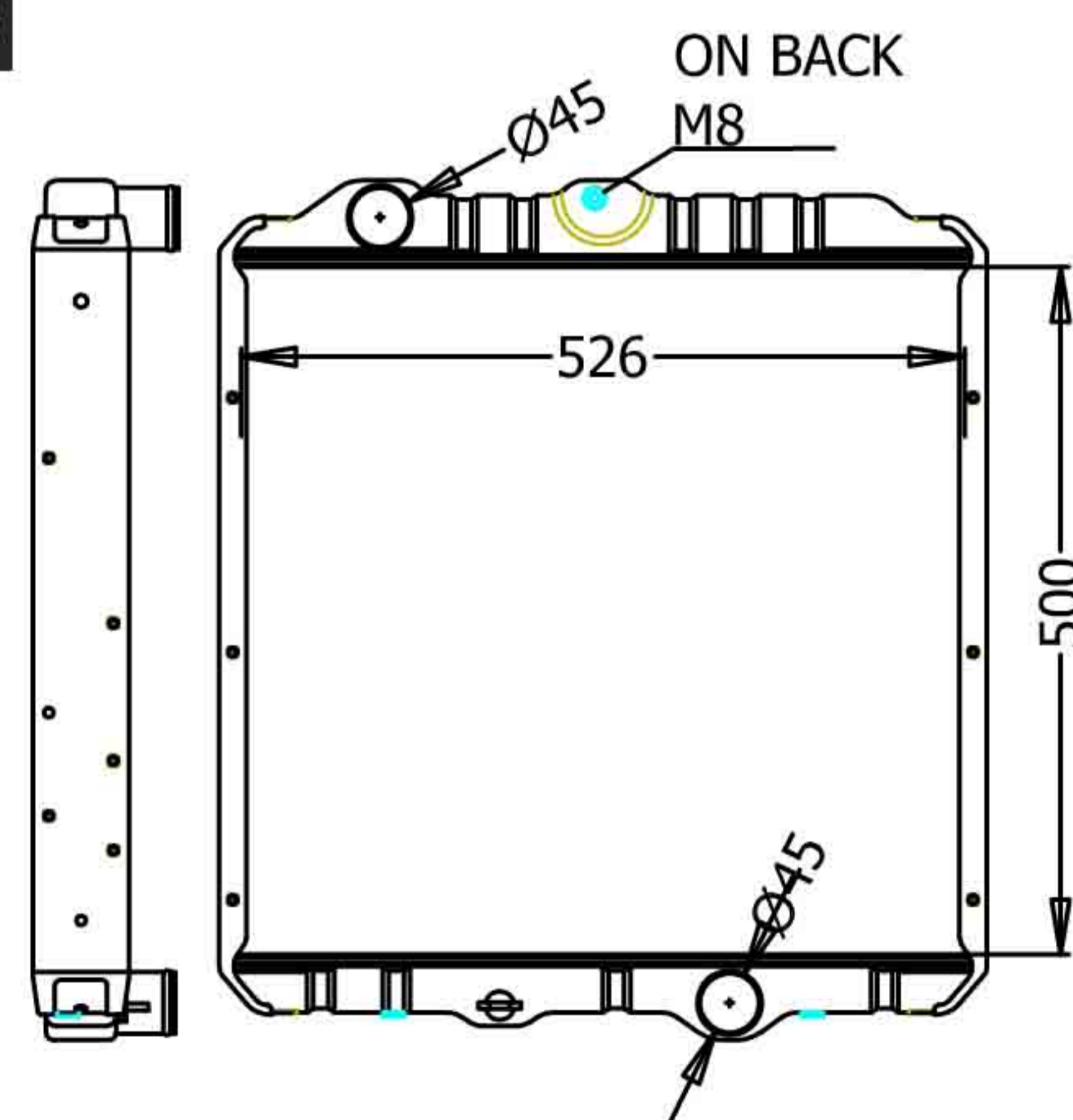
CARTYPE: OULANDE MT  
 CORE SIZE: BC 425\*688\*32 TANK SIZE: 717\*45  
 CARTON:  
 OEM:  
 DPI:

MI-14047



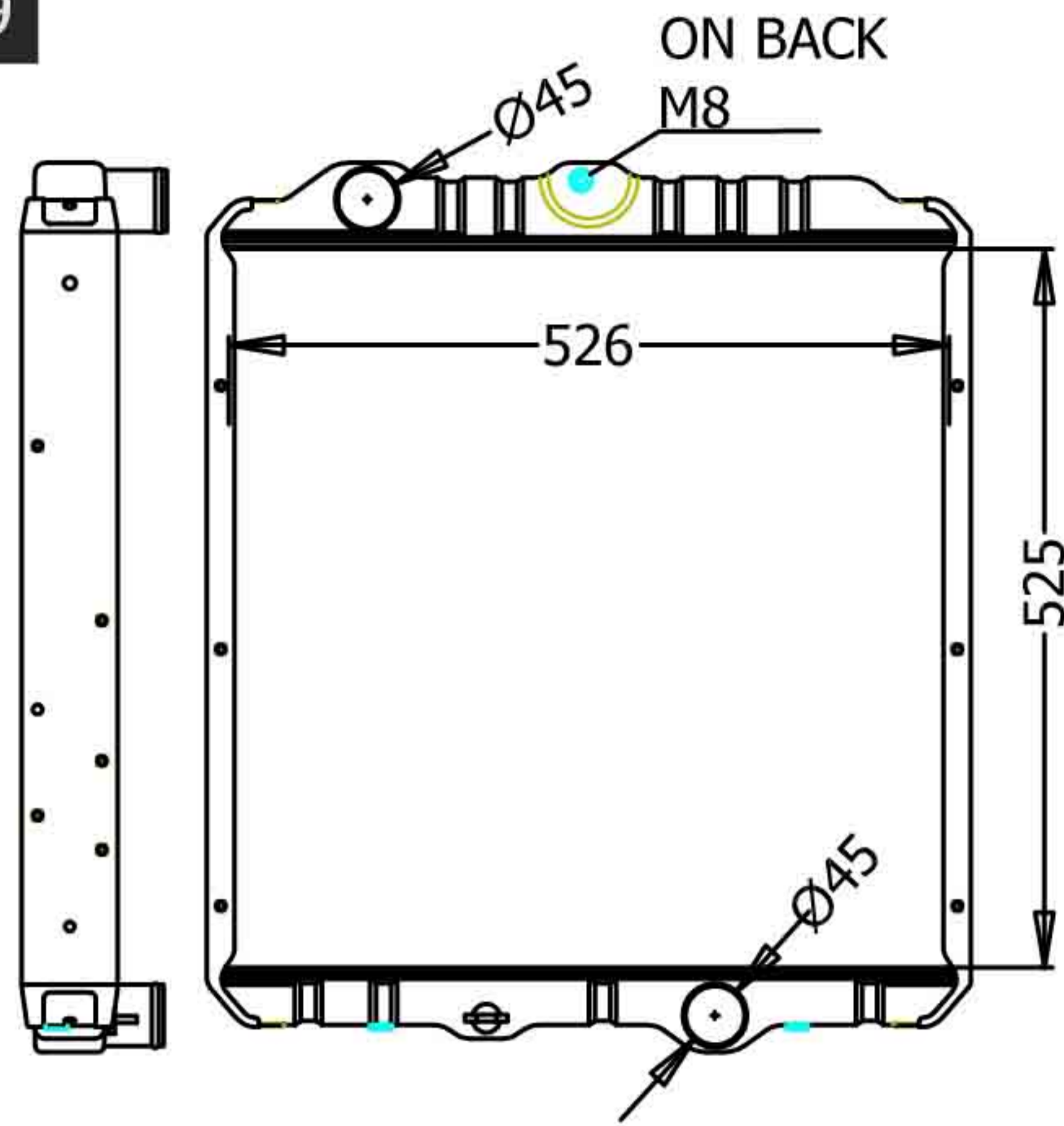
CARTYPE: CAMC HEAVY TRUCK(华凌重卡) 2# MT  
 CORE SIZE: BC 900\*658\*56 TANK SIZE: 680\*68  
 CARTON:  
 OEM:  
 DPI:

MI-14048



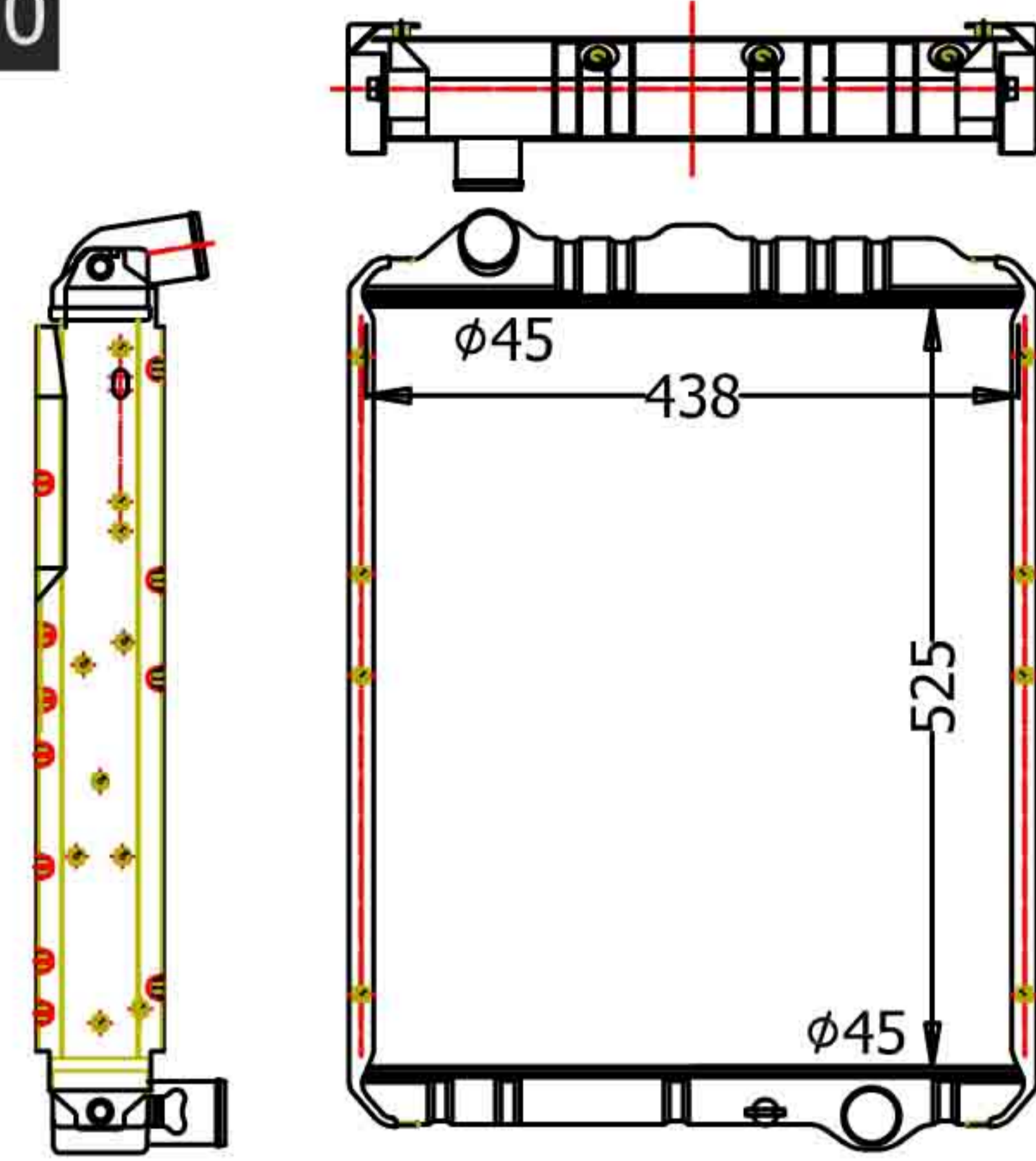
CARTYPE: CANTER 4D36 MT  
 CORE SIZE: BC 500x526x49 TANK SIZE:  
 CARTON:  
 OEM:MC127001/ME291794  
 DPI:

## MI-14049



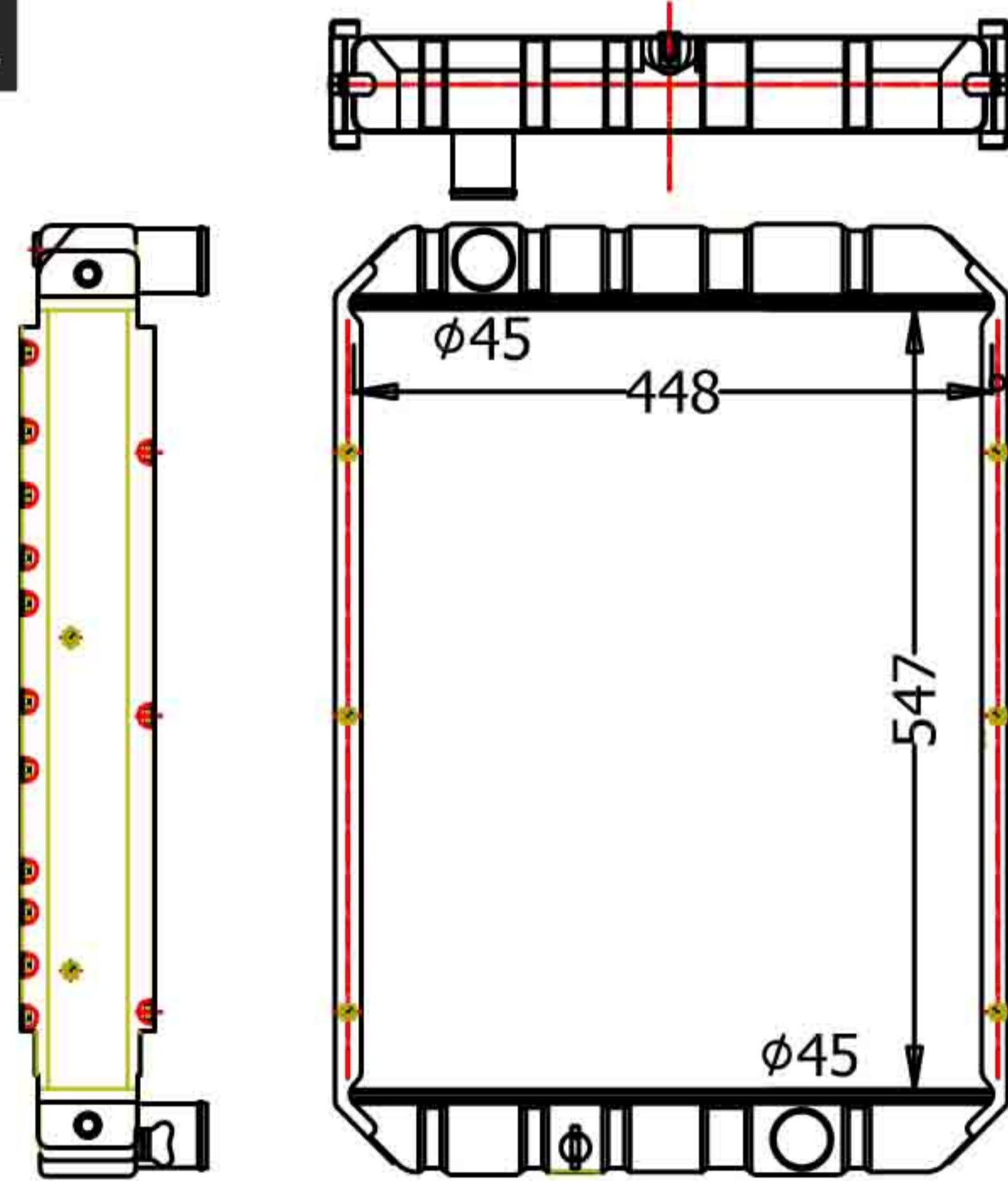
CARTYPE: CANTER 4D36 MT  
 CORE SIZE: BC 525x526x49 TANK SIZE:  
 CARTON:  
 OEM:ME299308  
 DPI:

## MI-14050



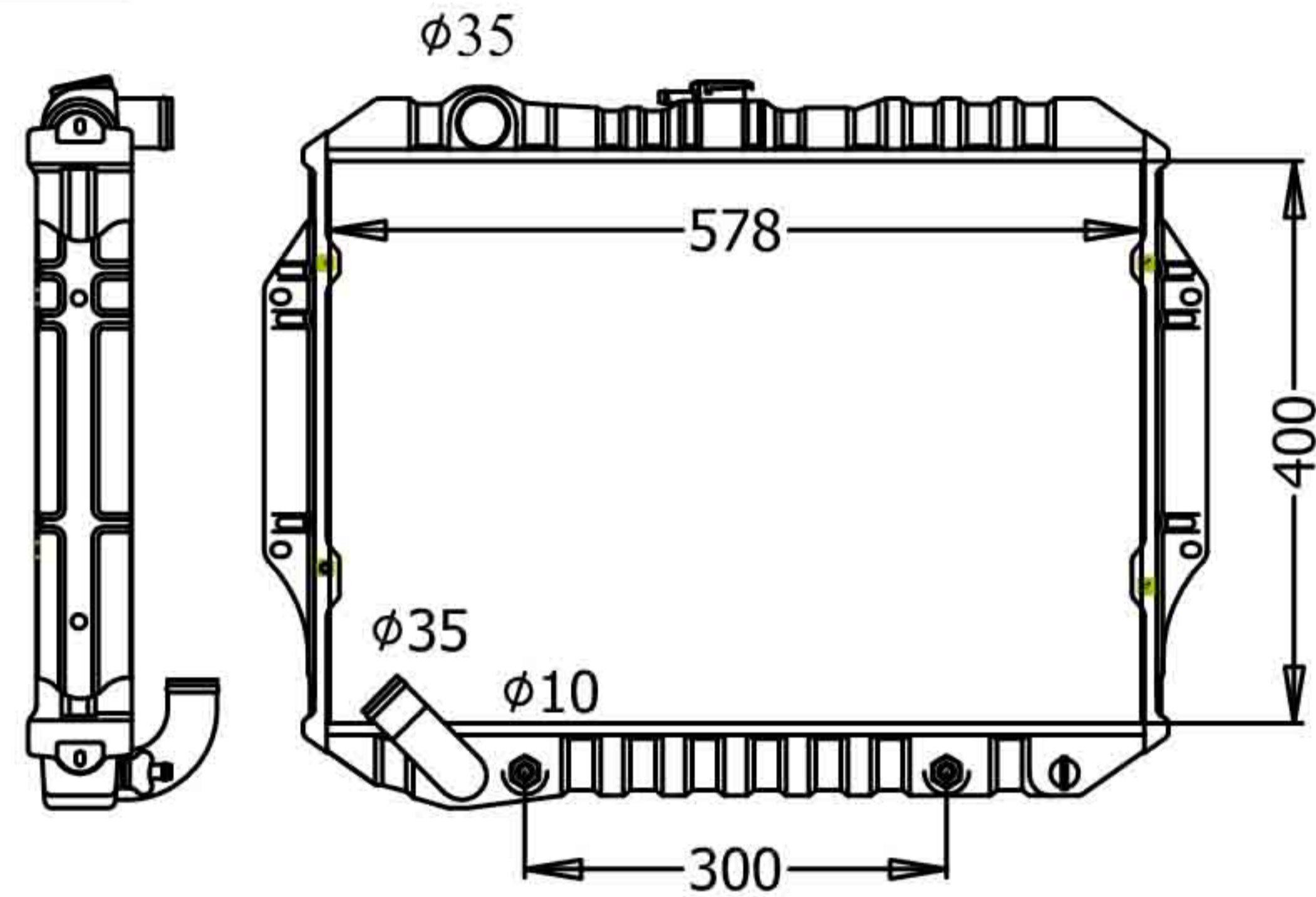
CARTYPE: CANTER MT  
 CORE SIZE: BC 525\*438\*48 TANK SIZE:465\*68  
 CARTON:  
 OEM:  
 DPI:

## MI-14051



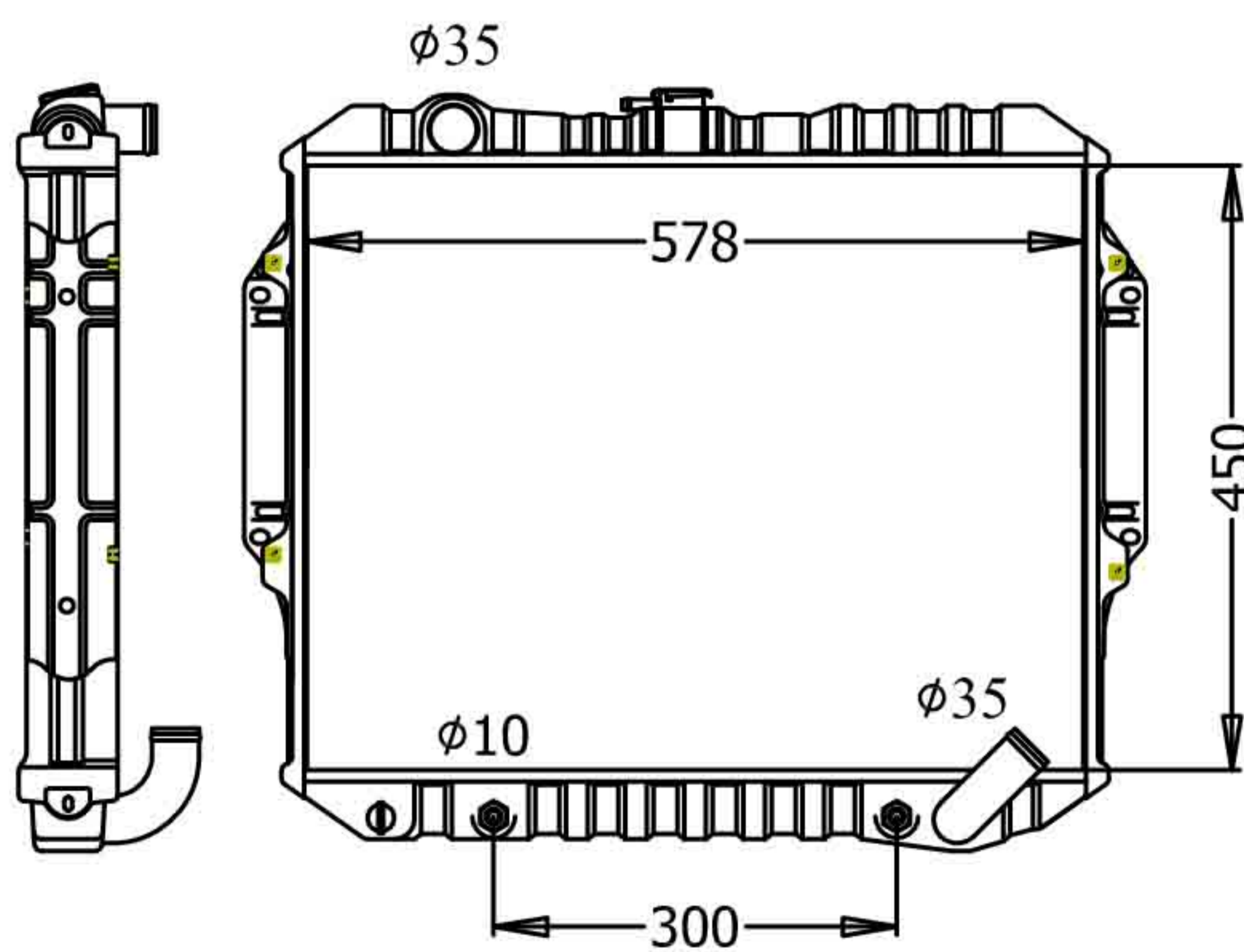
CARTYPE: CANTER MT  
 CORE SIZE:BC 547\*448\*48 TANK SIZE:465\*68  
 CARTON:  
 OEM:ME299316/ML 126001  
 DPI:

## MI-14052



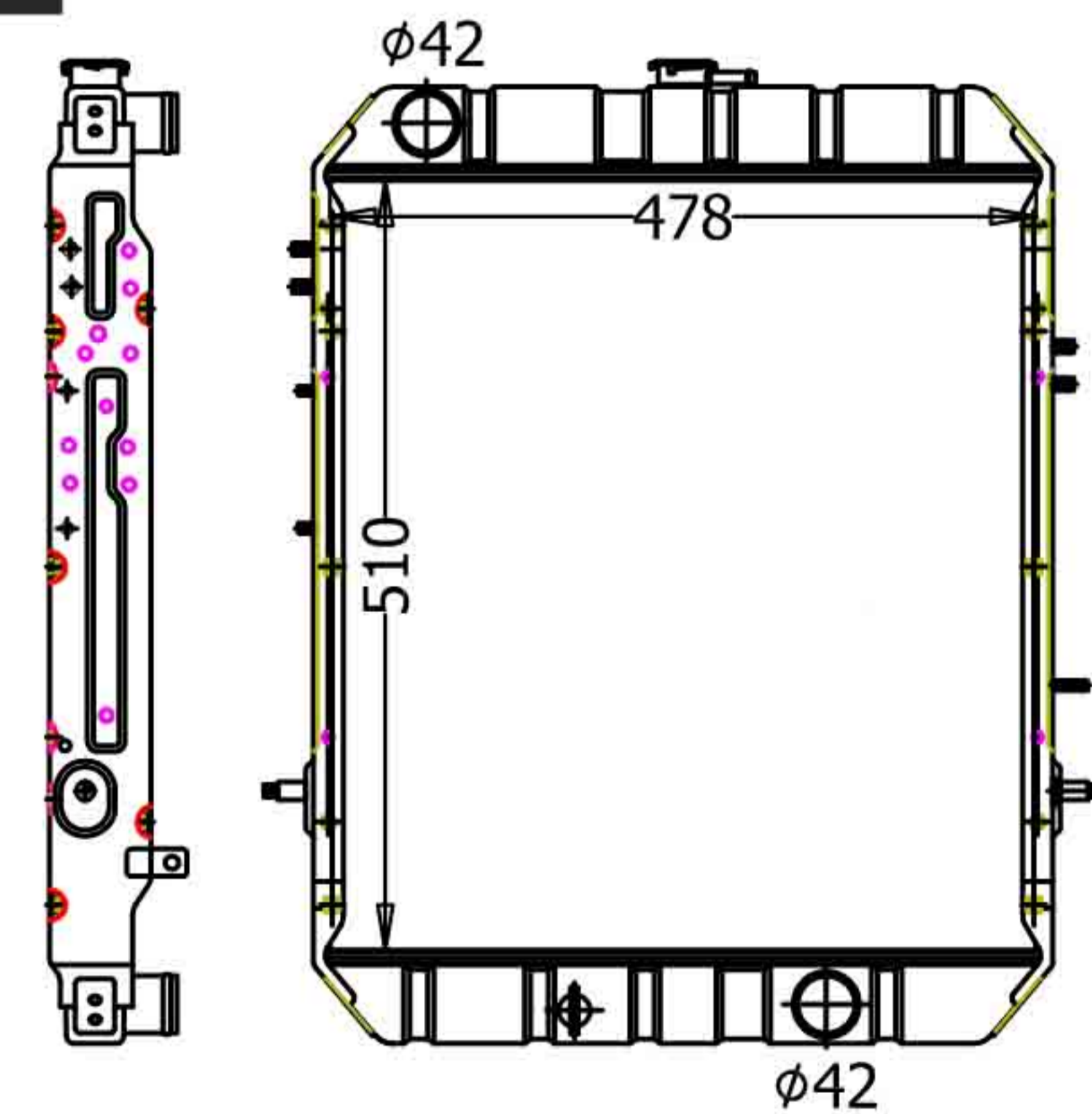
CARTYPE: PICKUP L200 '87-89 2.6L6 AT  
 CORE SIZE: BC 400x578x32/49 TANK SIZE:604x62  
 CARTON:690x610x165  
 OEM:  
 DPI:

## MI-14053



CARTYPE: PAIERO V6 3.5 AT  
 CORE SIZE: BC 450x578x32/49 TANK SIZE:604x62  
 CARTON:690x585x165  
 OEM:  
 DPI:

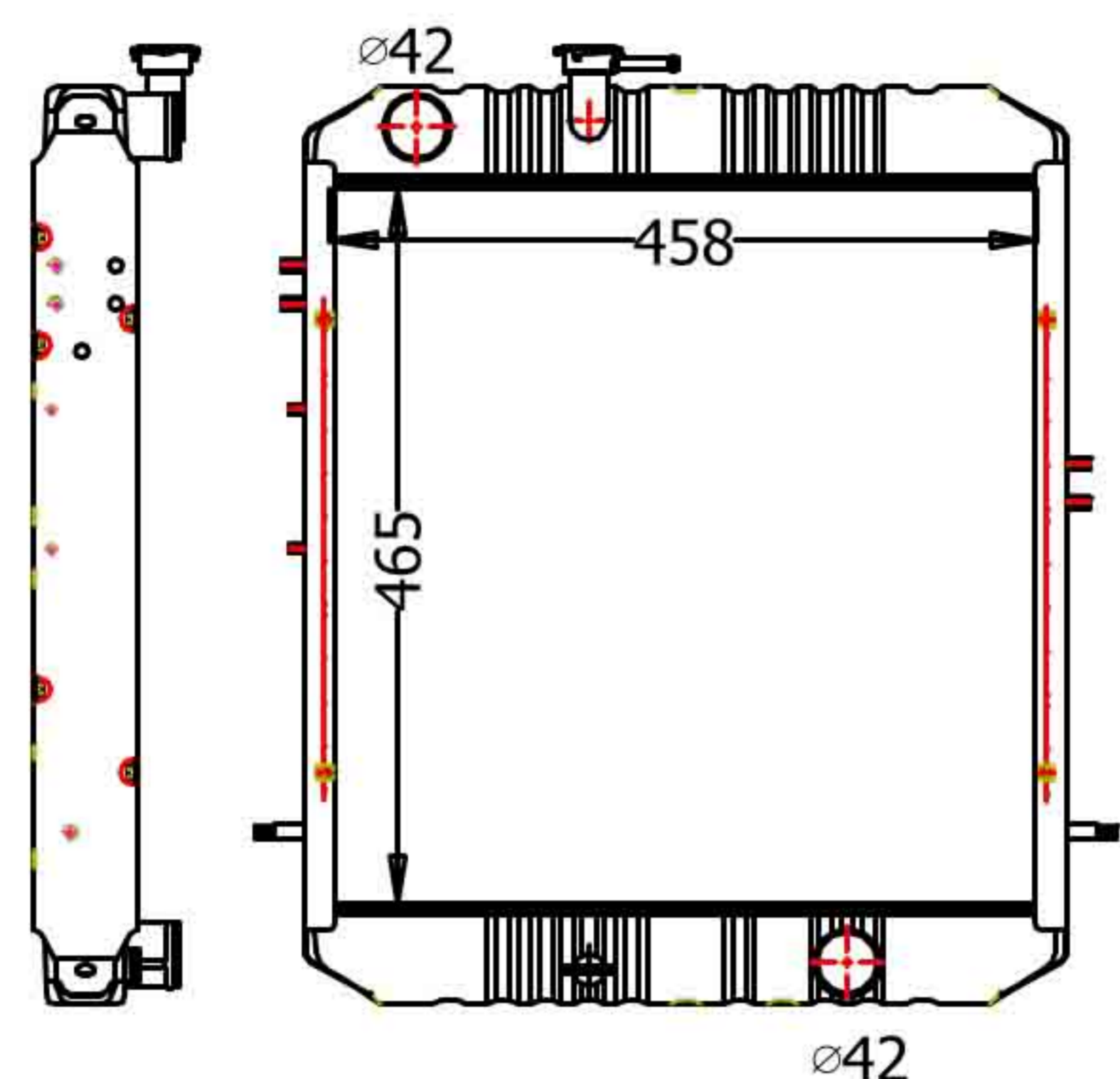
## MI-14054



CARTYPE : MITSUBISHI 0510 MT  
 CORE SIZE : BC : 510\*478\*32 TANK SIZE :490\*46  
 OEM : MC111555/JK422130-1782  
 CARTON:  
 DPI :

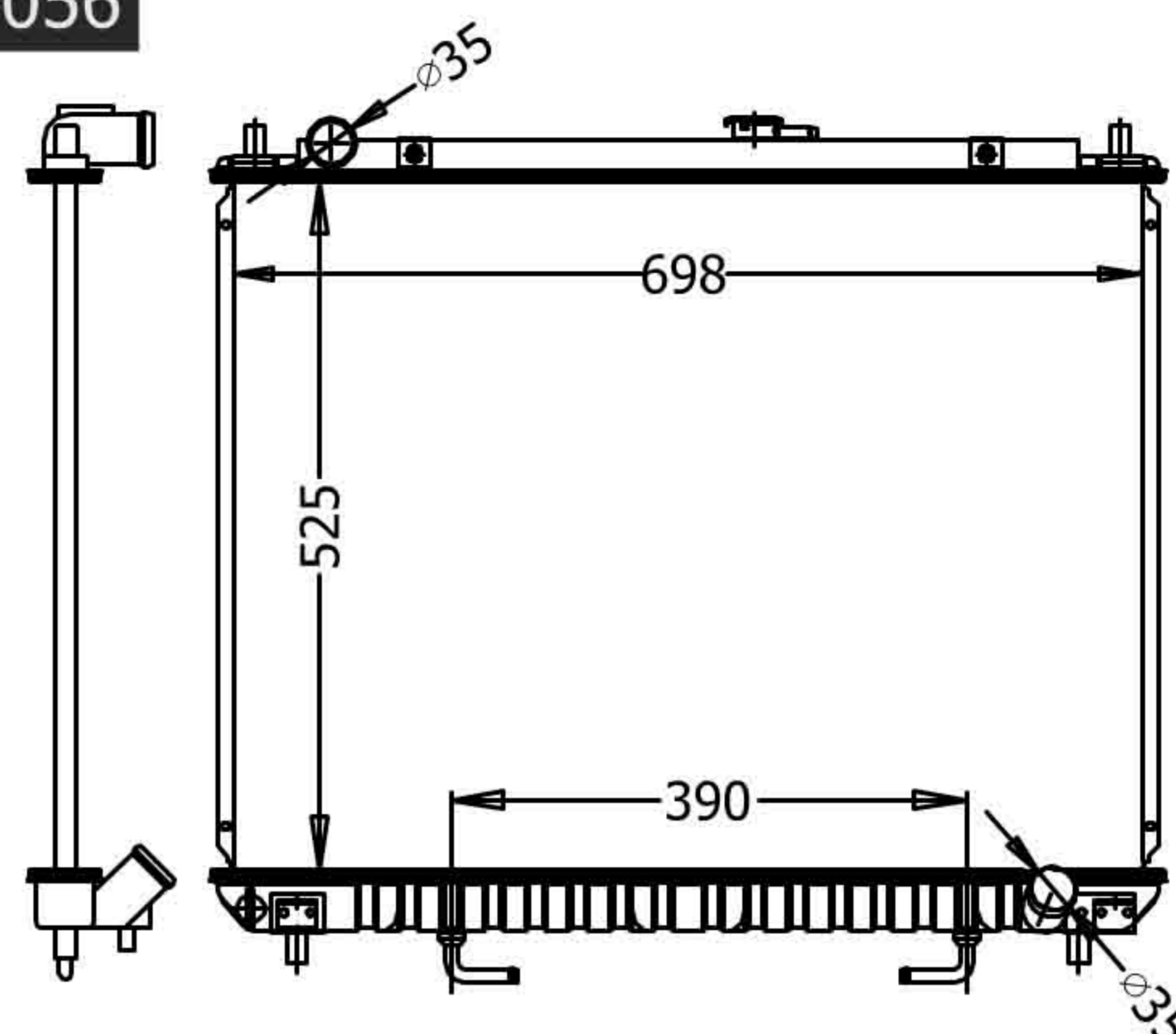
# MITSUBISHI

MI-14055



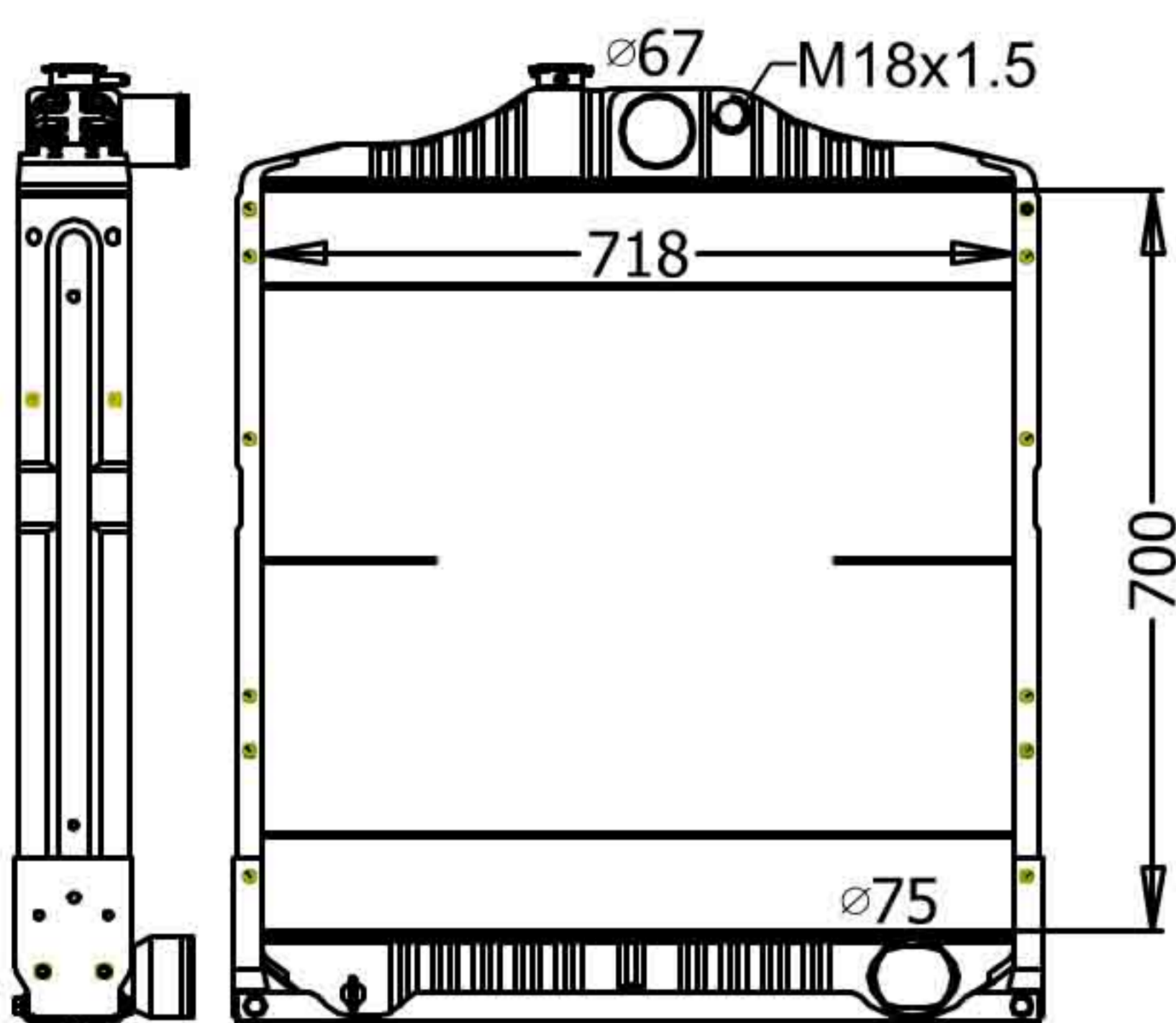
CARTYPE : MT  
 CORE SIZE : BC : 465x458x32 TANK SIZE : 490x60  
 CARTON:  
 OEM :  
 DPI :

MI-14056



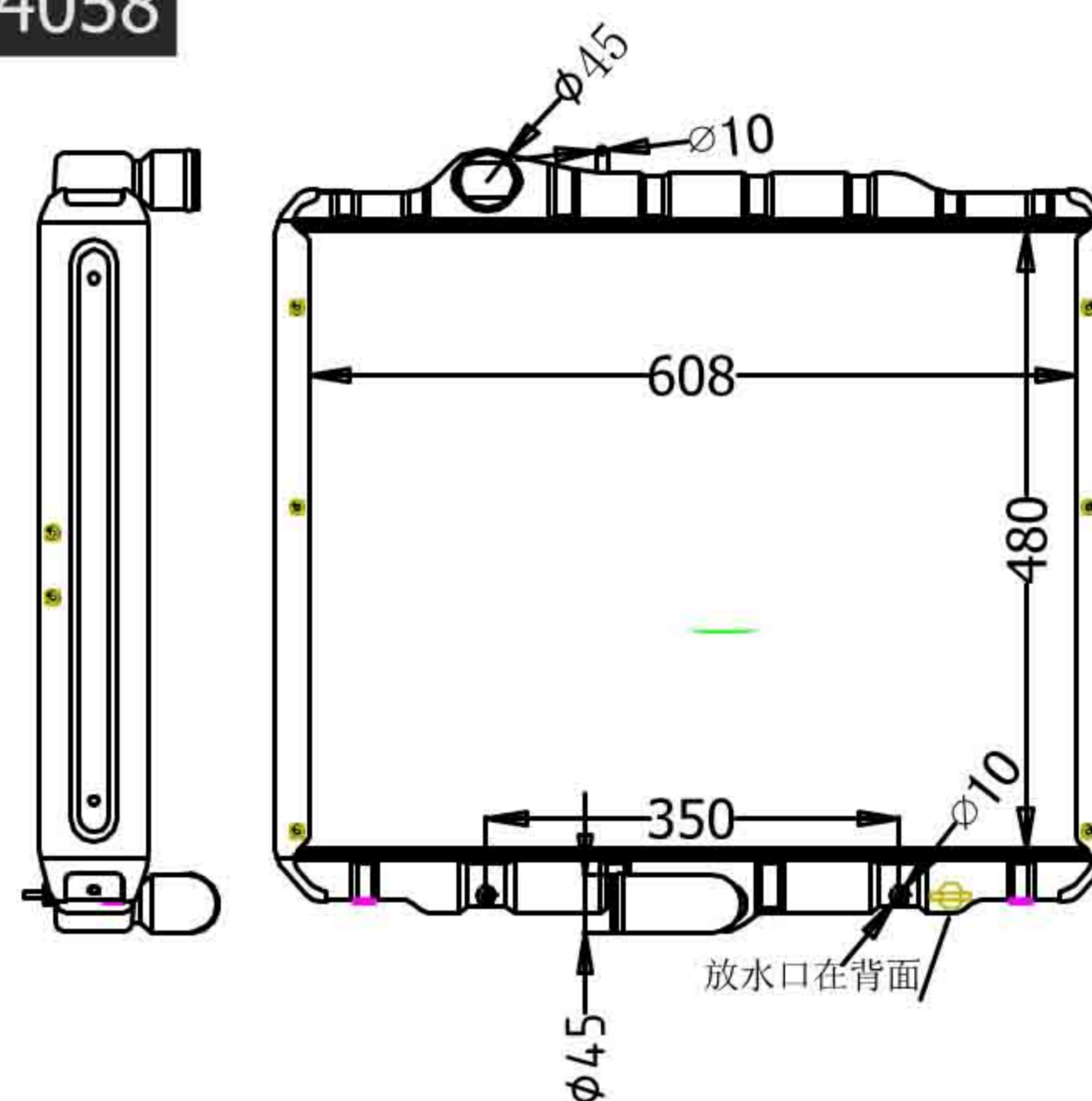
CARTYPE: PAJERO 3 2DI-D 00- AT  
 CORE SIZE: BC 525\*698\*16 TANK SIZE: 40/48\*717  
 CARTON:  
 OEM: MR404689  
 DPI:

MI-14057



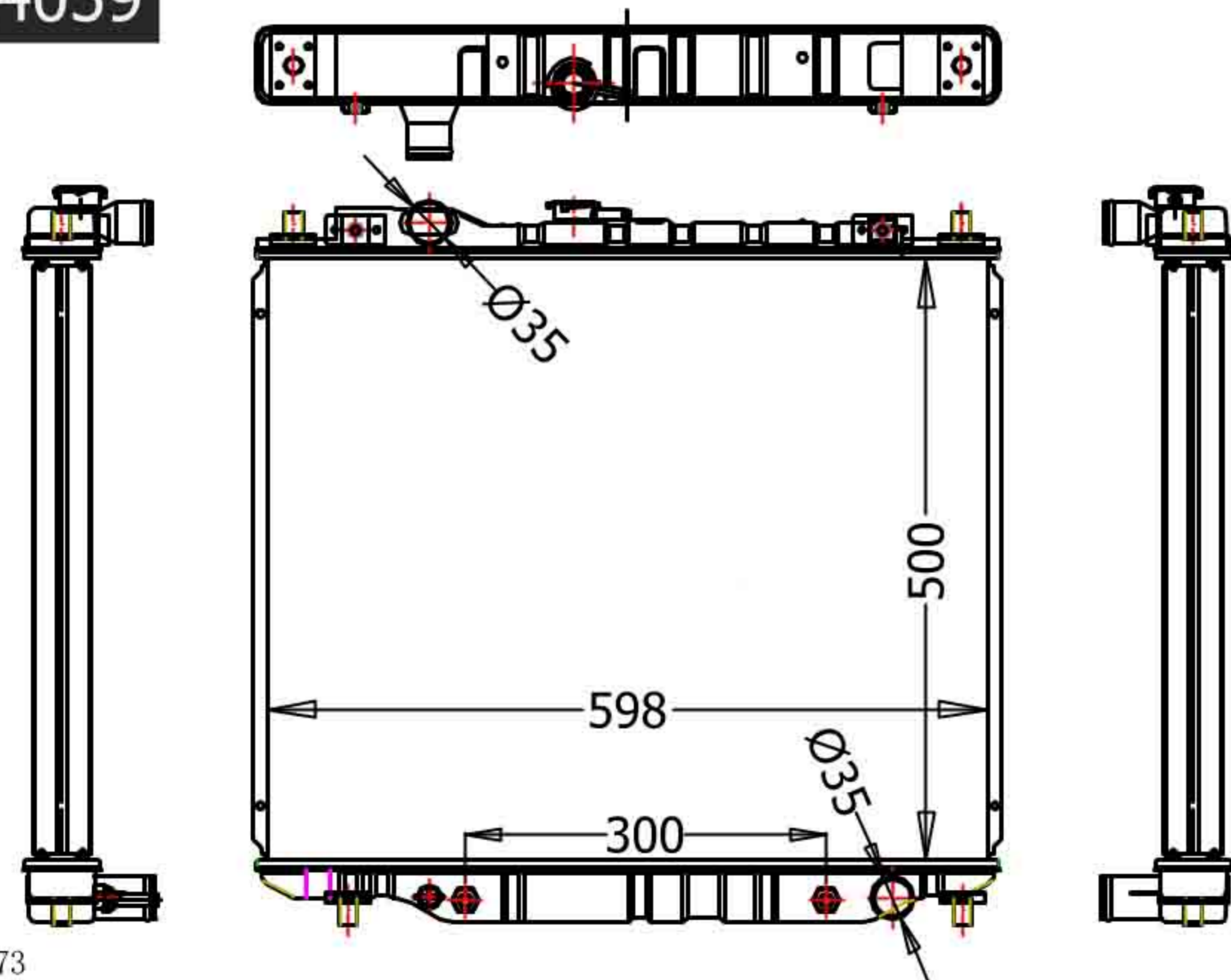
CARTYPE: MITSUBISHI (三菱) MT  
 CORE SIZE: BC 700x718x64 TANK SIZE:735x95  
 CARTON:  
 OEM:  
 DPI:

MI-14058



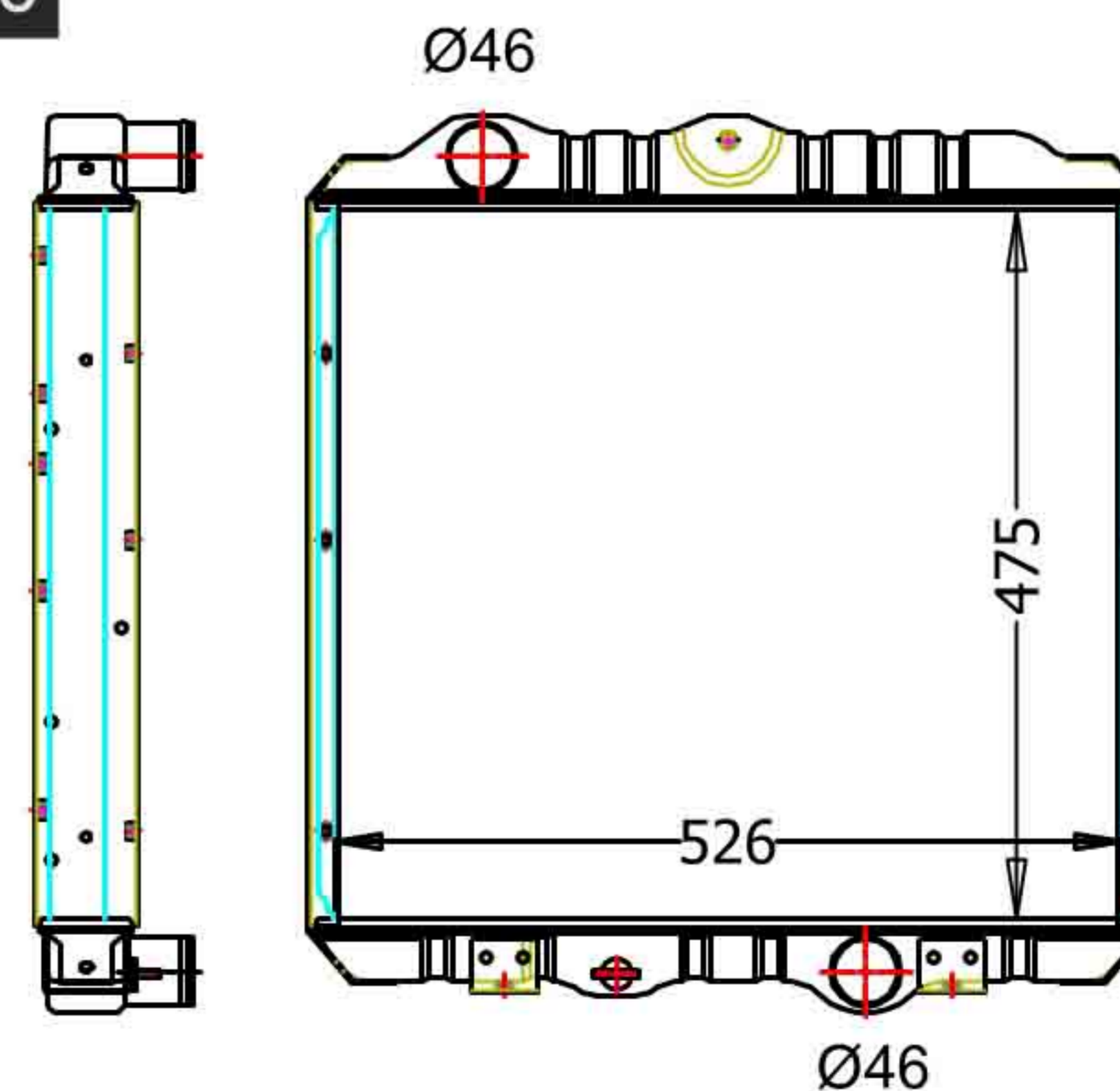
CARTYPE: FUSO AT  
 CORE SIZE: BC 480x608x49 TANK SIZE:630\*69  
 CARTON:  
 OEM:  
 DPI:

MI-14059



CARTYPE: 帕杰罗V46W AT  
 CORE SIZE: BC 500\*598\*49 TANK SIZE:615\*62  
 CARTON:  
 OEM:  
 DPI:

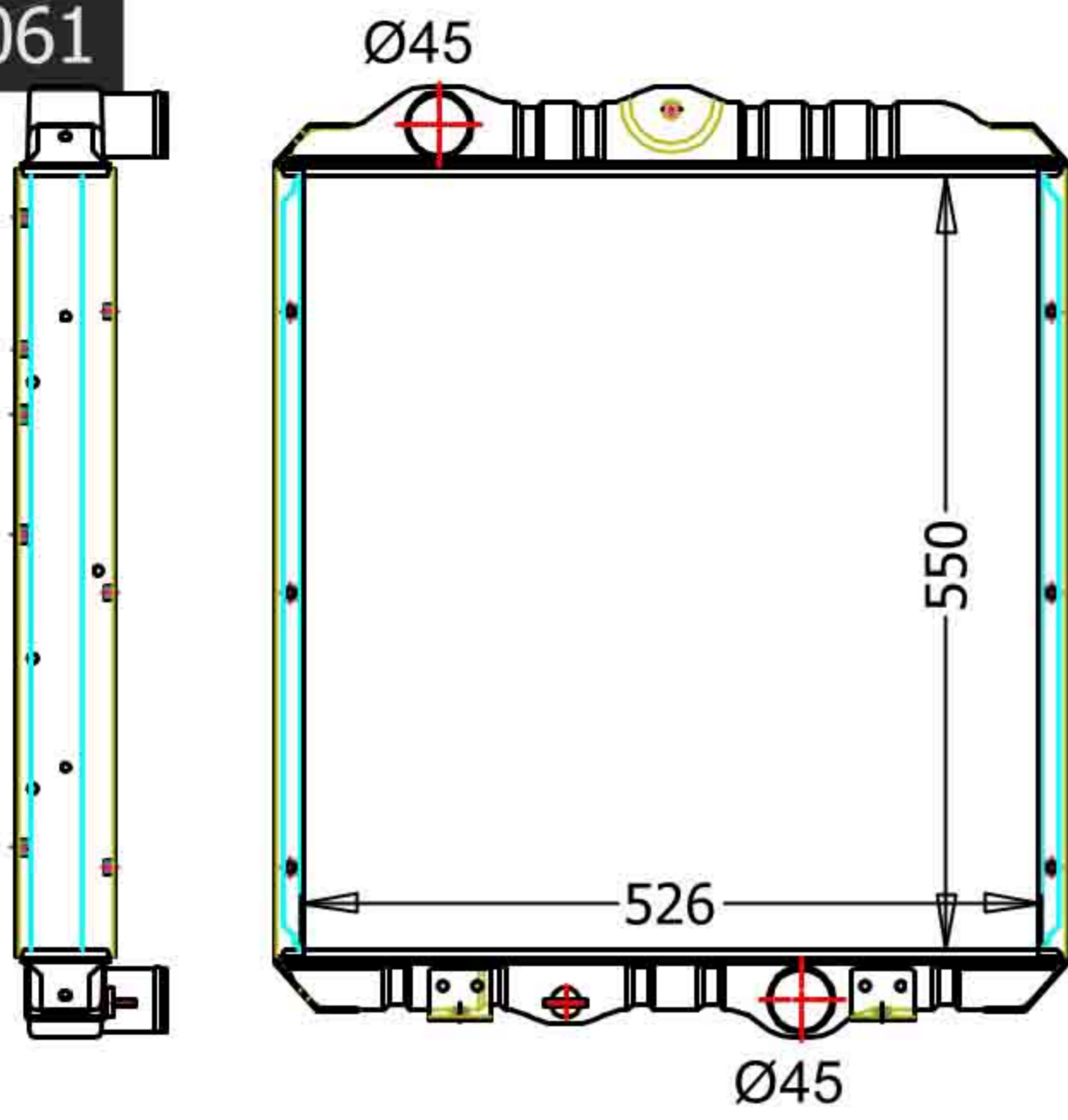
MI-14060



CARTYPE : CANTER FE528E/4035 95-MTM  
 CORE SIZE: BC :475\*526\*37 TANK SIZE: 550\*60  
 CARTON:  
 OEM : MC127003/ME291061  
 DPI:

# mitsubishi

MI-14061



MI-0098

CARTYPE : CANTER FE500 MTM  
CORE SIZE : BC : 550\*526\*37      TANK SIZE : 550x60  
CARTON:  
OEM : ME299316/ML126001  
DPI :

MI-14062

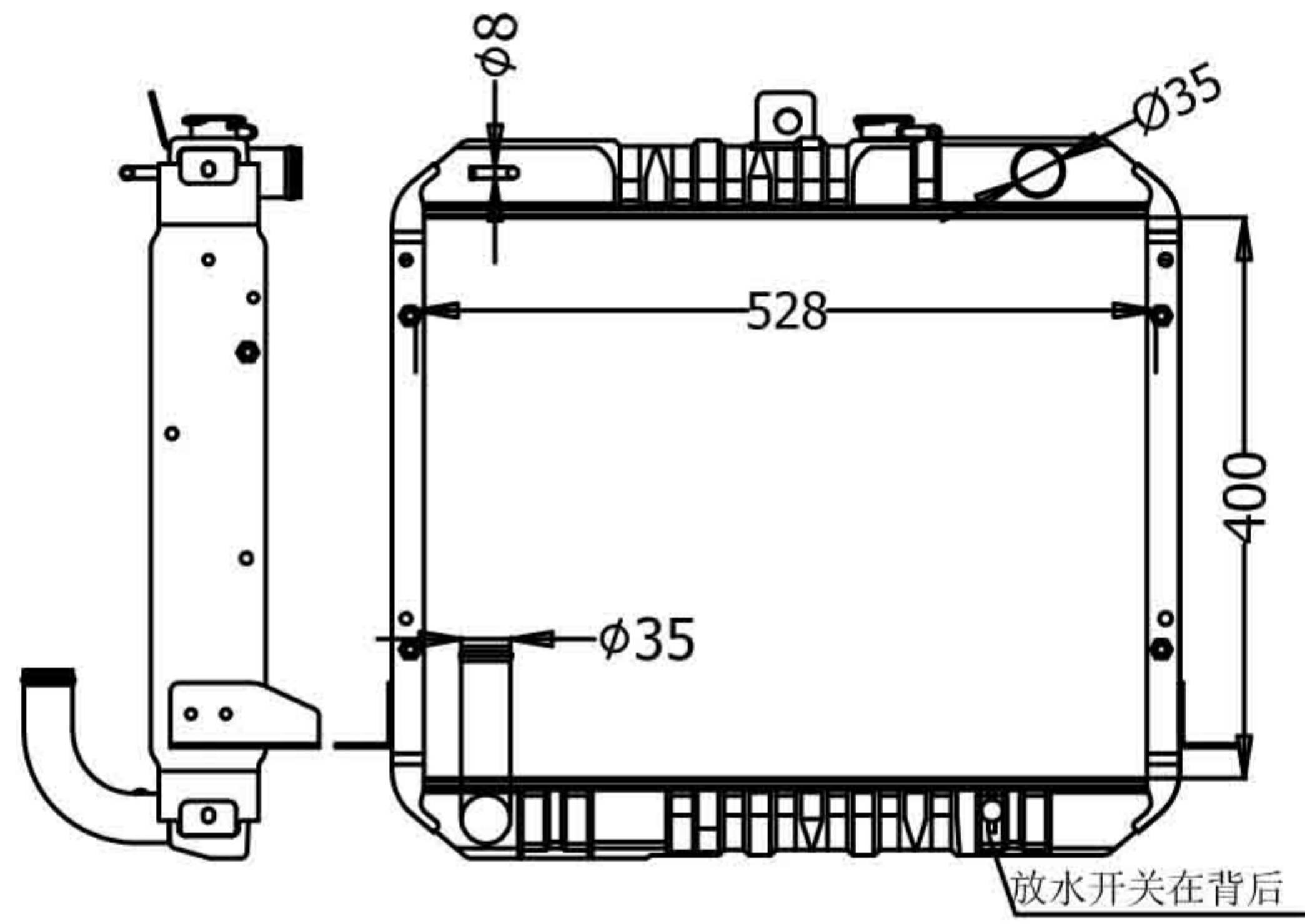
MI-14063

MI-14064

MI-14065

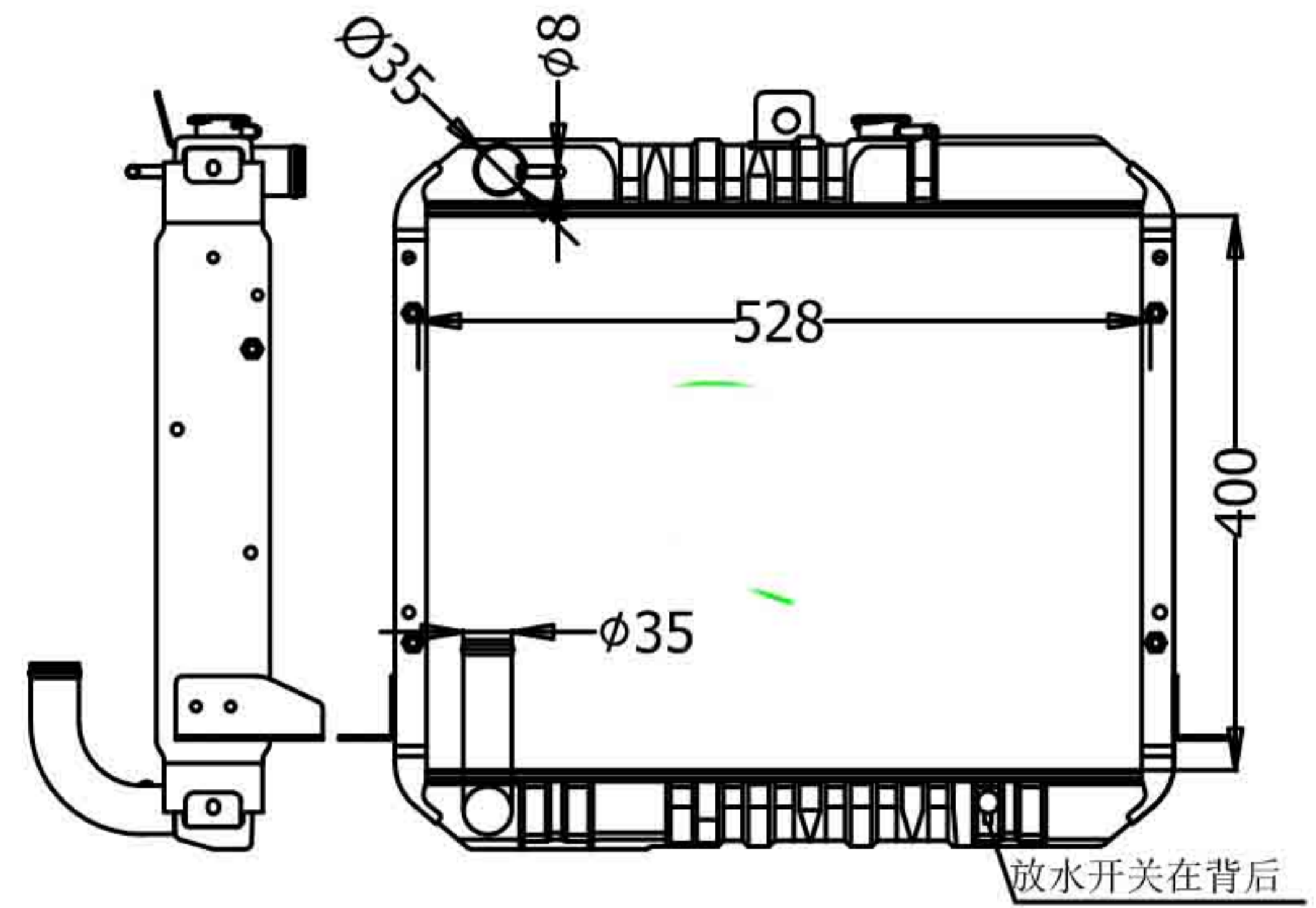
MI-14066

## TO-12001



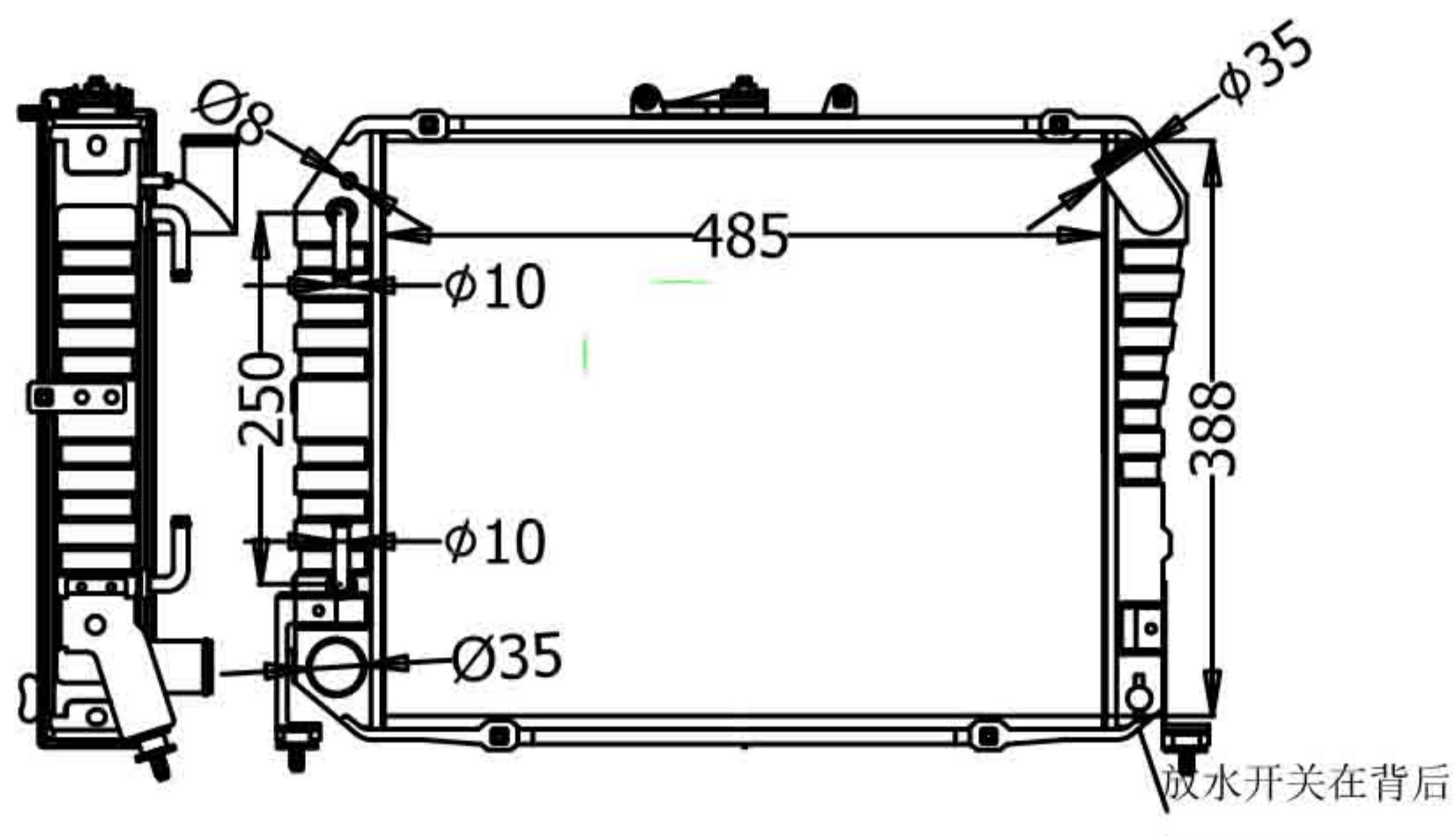
CARTYPE: HIACE'86-89 2Y MT  
 CORE SIZE: BC 400x528x32 TANK SIZE:535\*65  
 CARTON: 660\*57\*225  
 OEM:  
 DPI:

## TO-12002



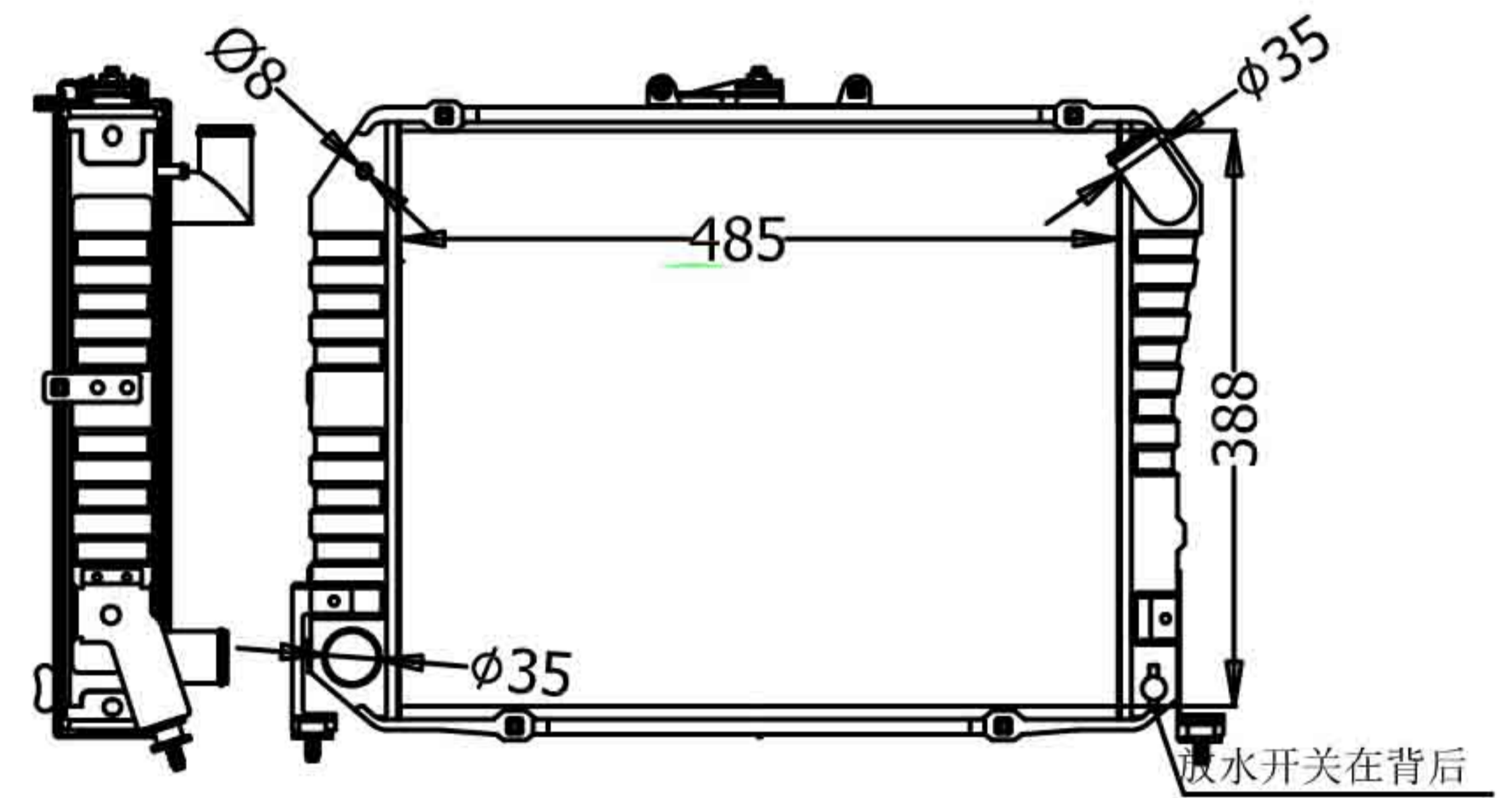
CARTYPE: HIACE'86-89 LH50 MT  
 CORE SIZE: BC 400x528x32 TANK SIZE:535\*65  
 CARTON: 660\*57\*225  
 OEM: 16400-54280  
 DPI:

## TO-12003



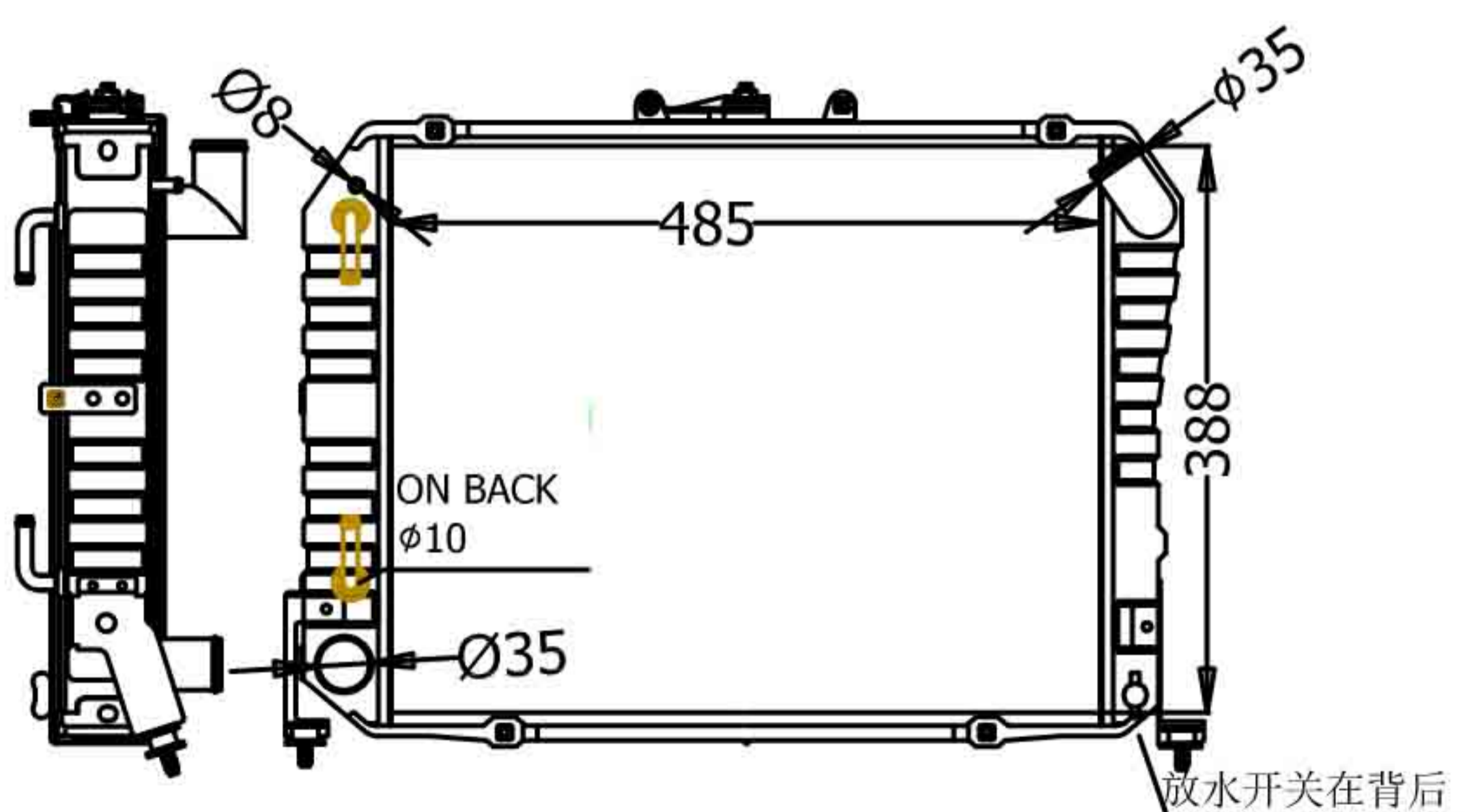
CARTYPE: HIACE'90-98(DIESEL) (柴油海狮) AT  
 CORE SIZE: BC 485x388x32/49 TANK SIZE:410\*65  
 CARTON: 650\*500\*190  
 OEM: 16400-5B750/54752/54753/54762/54763  
 DPI:

## TO-12004



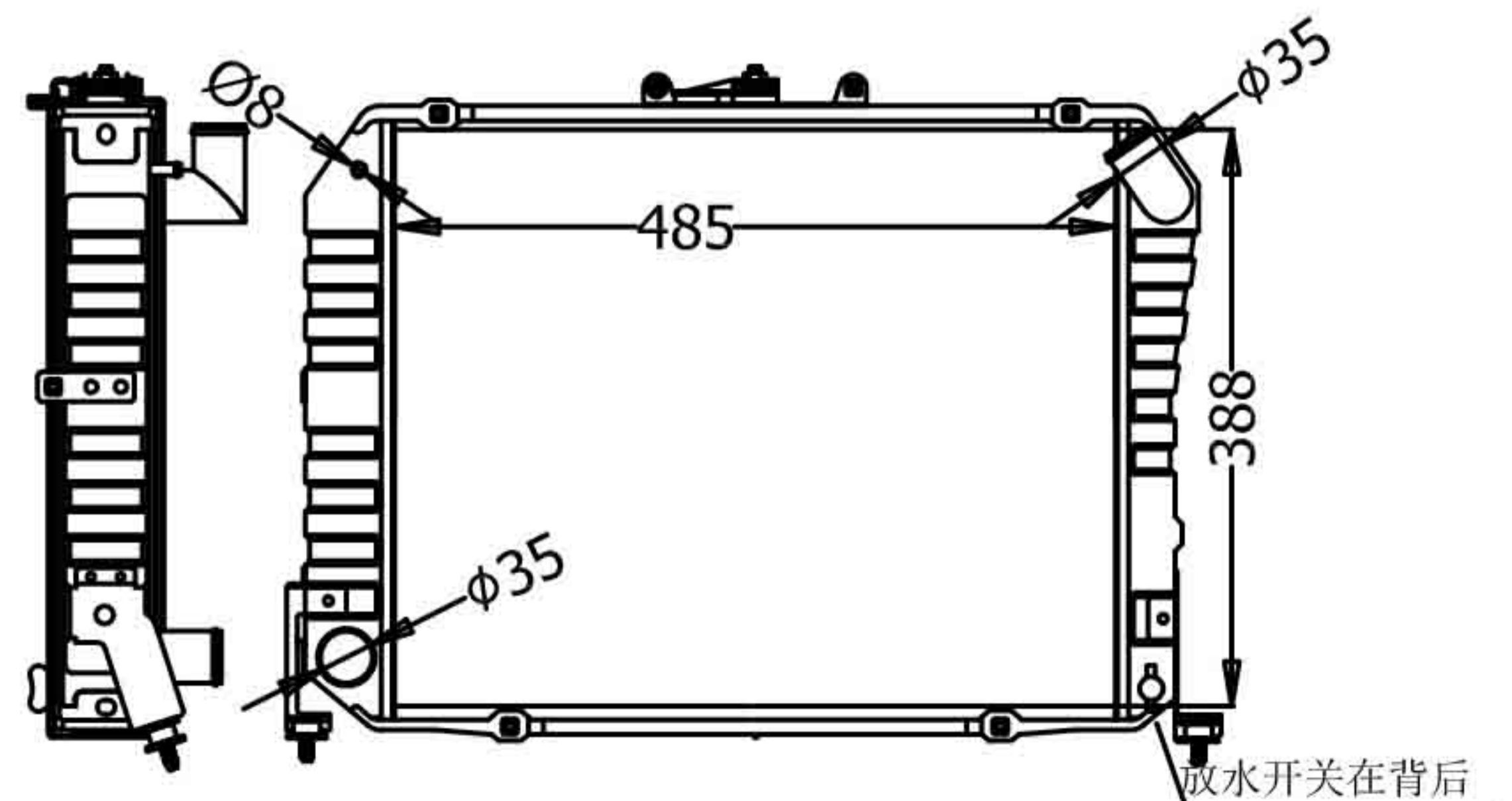
CARTYPE: HIACE'90-98 (DIESEL) (柴油海狮) MT  
 CORE SIZE: BC 485x388x32 TANK SIZE: 410\*65  
 CATON: 650\*500\*190  
 OEM: 16400-54750/51.2.3.4/5B740  
 DPI:

## TO-12005



CARTYPE: HIACE'90-98(DIESEL) (柴油海狮) AT  
 CORE SIZE: BC 485x388x49 /32 TANK SIZE:410\*65  
 CARTON: 650\*500\*190  
 OEM:  
 DPI:

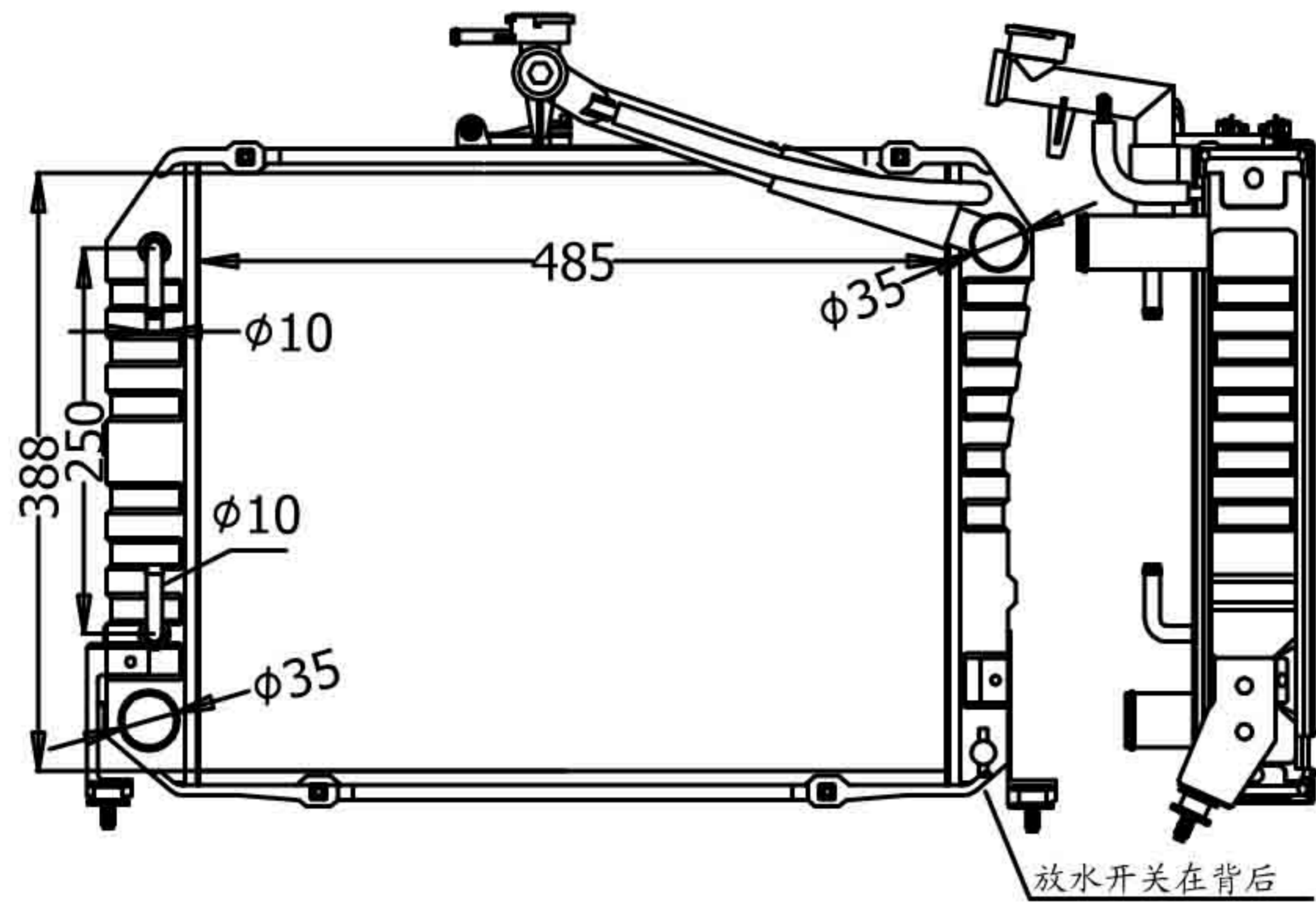
## TO-12006



CARTYPE: HIACE'90-98 (DIESEL) (柴油海狮) MT  
 CORE SIZE: BC 485x388x49 TANK SIZE:410\*65  
 CARTON: 650\*500\*190  
 OEM: 16400-54750/51.2.3.4/75330  
 DPI:

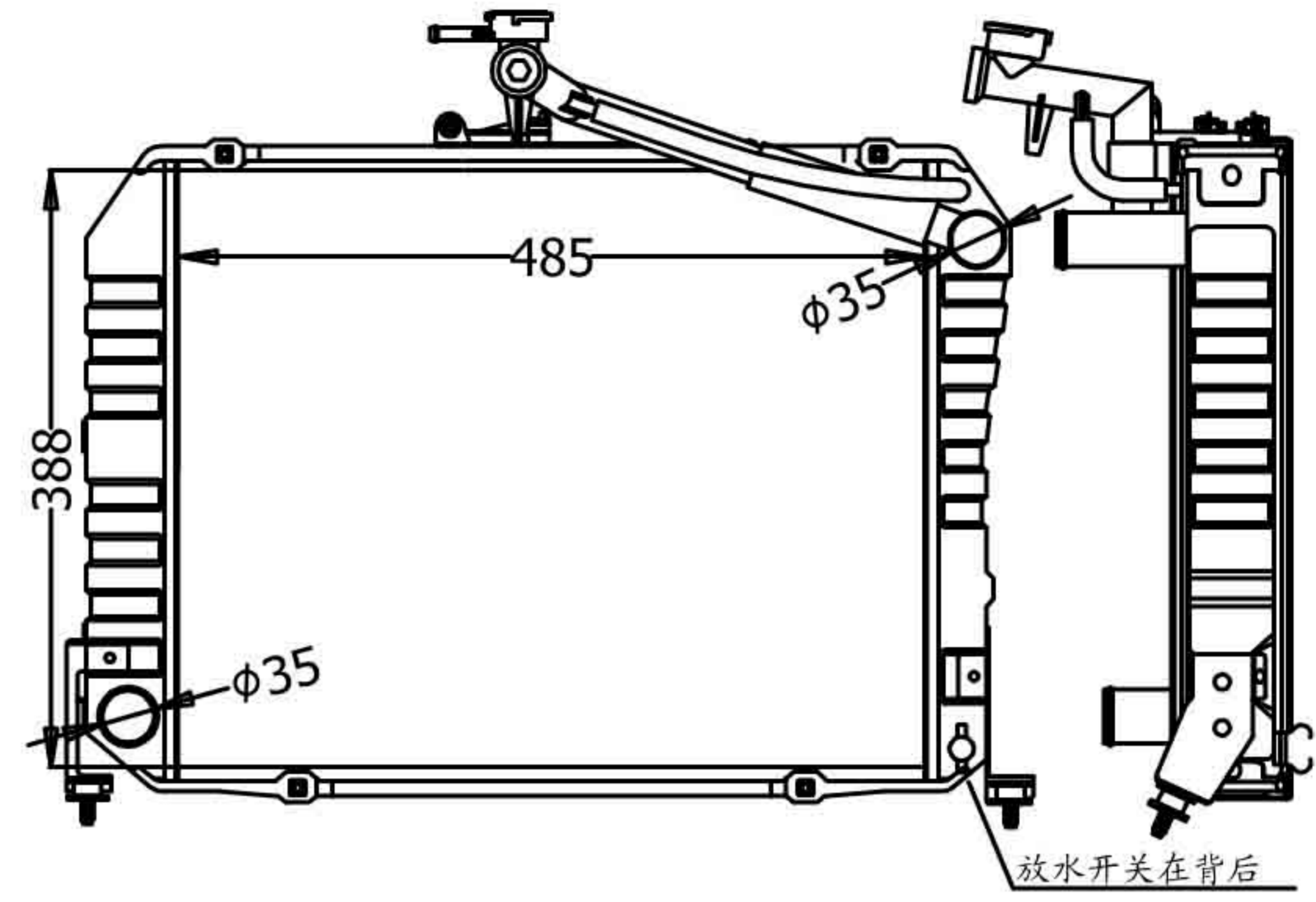
# TOYOTA

TO-12007



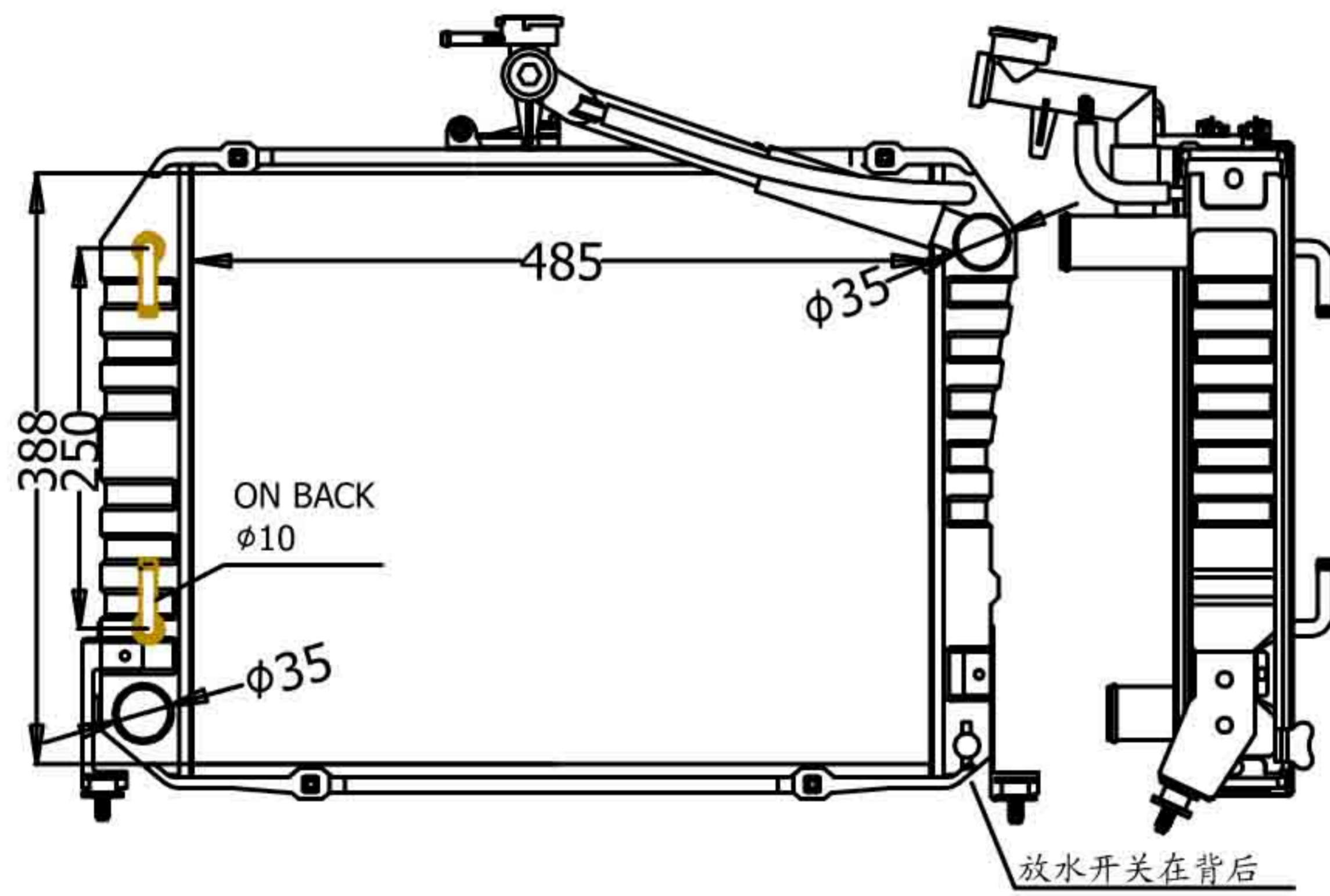
CARTYPE: HIACE'90-98(GAS) (汽油海狮) AT  
 CORE SIZE: BC 485x388x32/49 TANK SIZE: 410\*65  
 CARTON: 556\*530\*170  
 OEM: 16400-5B750/16400-75350  
 DPI:

TO-12008



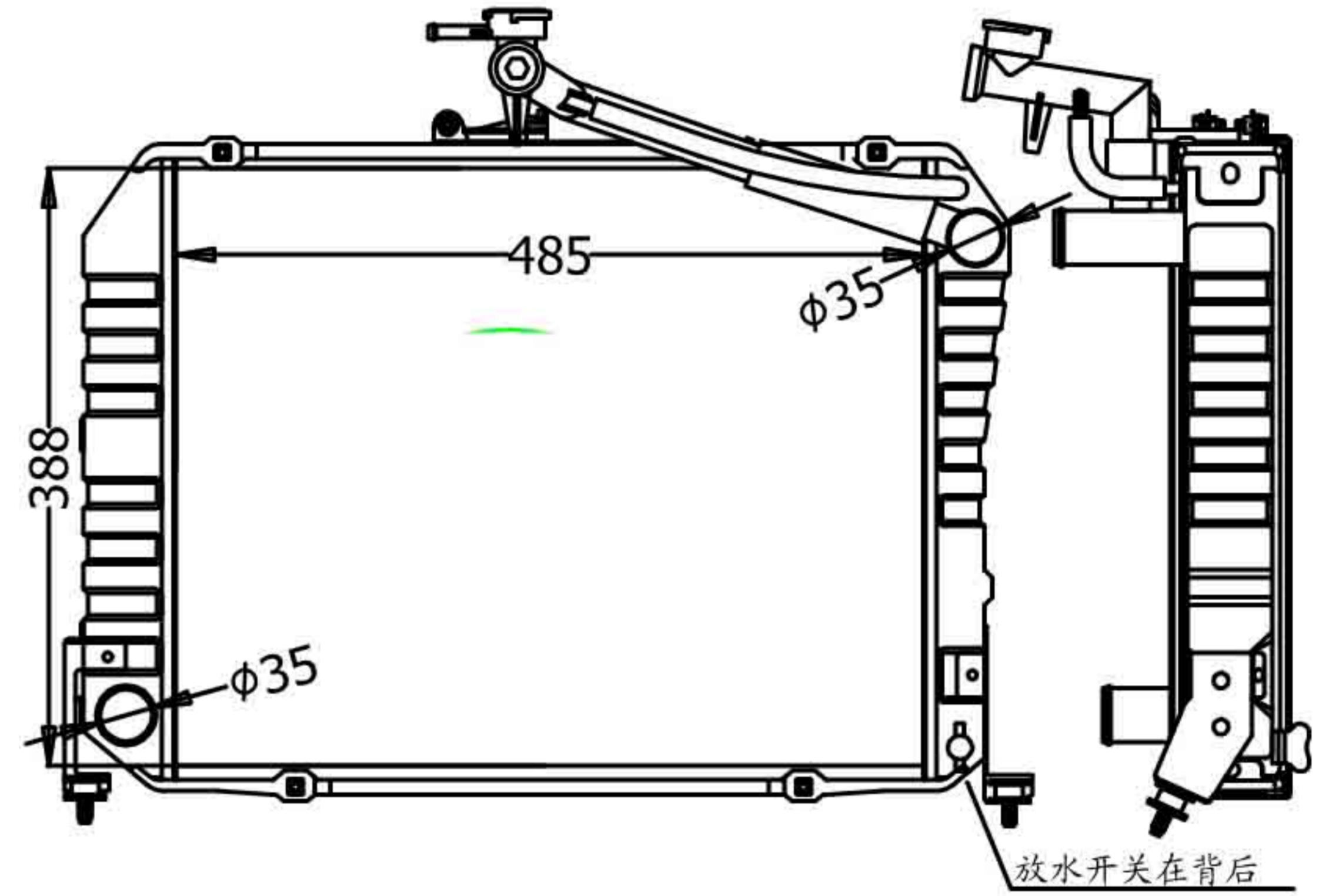
CARTYPE: HIACE'90-98(GAS) (汽油海狮) MT  
 CORE SIZE: BC 485x388x32 /49 TANK SIZE: 410\*65  
 CARTON: 556\*530\*170  
 OEM: 16400-75071/16400-75330/16400-75250  
 DPI:

TO-12009



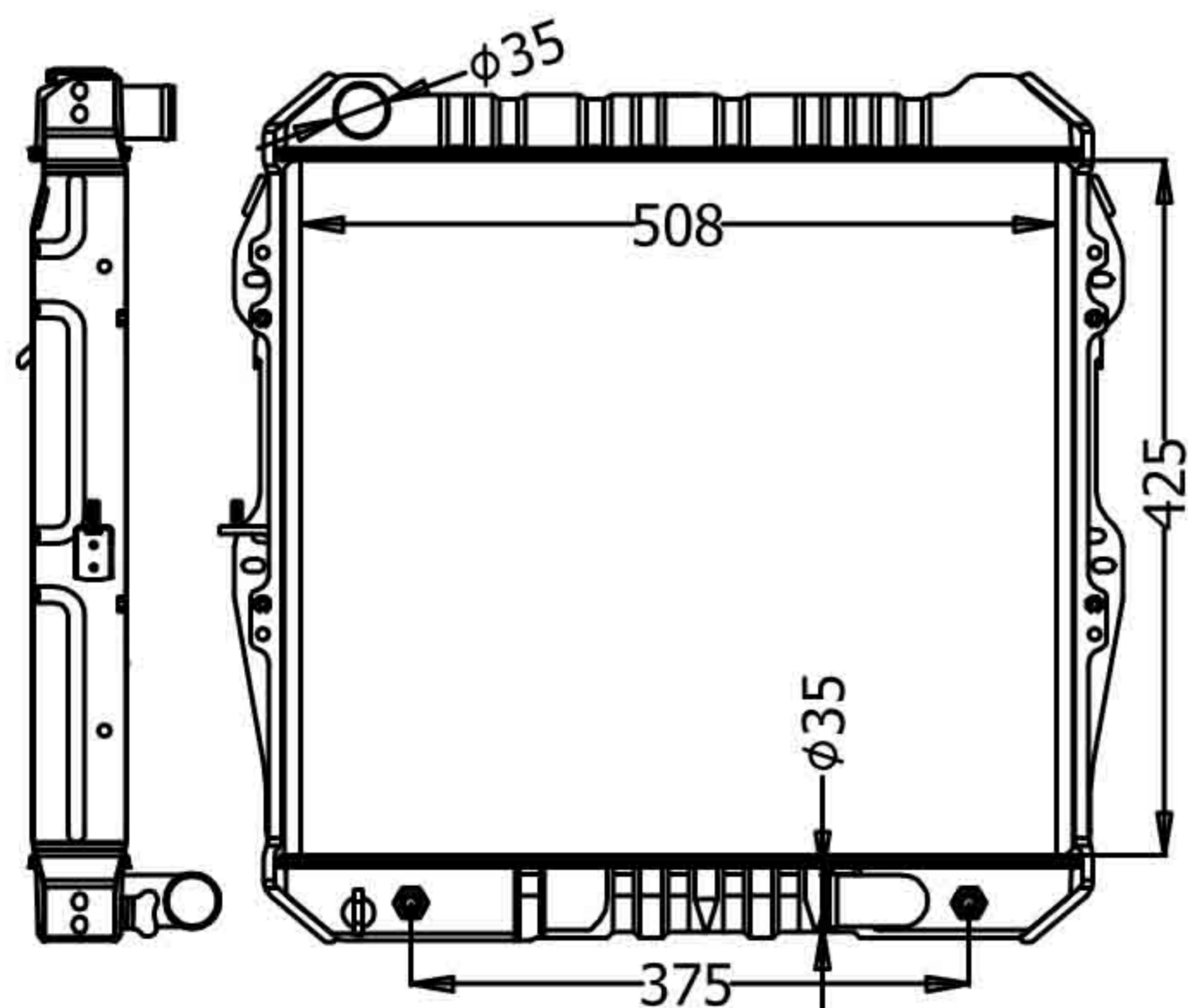
CARTYPE: HIACE'90-98(GAS) (汽油海狮) AT  
 CORE SIZE: BC 485x388x49 TANNK SIZE: 410\*65  
 CARTON: 556\*530\*170  
 OEM: 16400-75350/16400-75350  
 DPI:

TO-12010



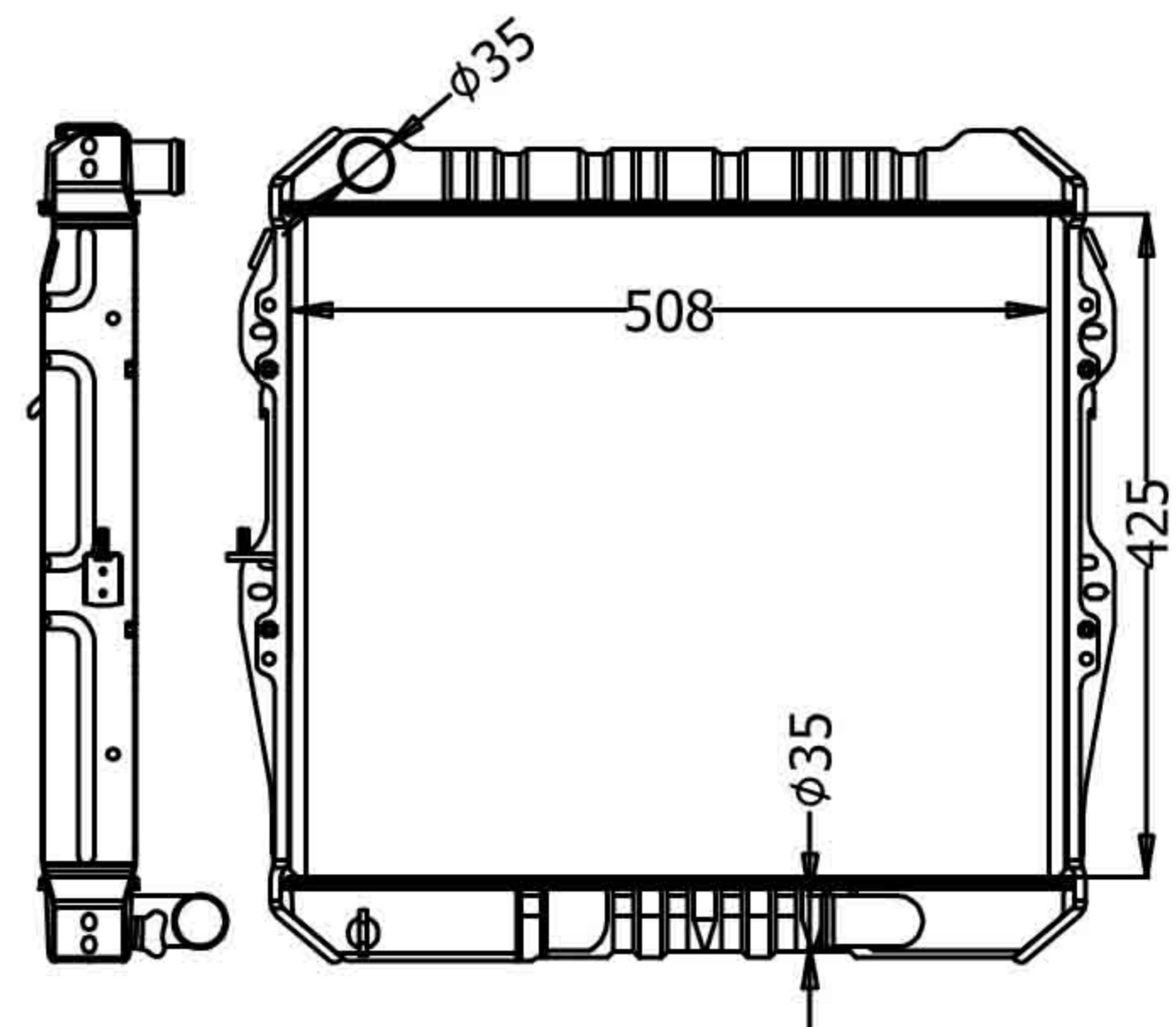
CARTYPE: HIACE'90-98(GAS) (汽油海狮) MT  
 CORE SIZE: BC 485x388x49 TANK SIZE: 410\*65  
 CARTON: 556\*530\*170  
 OEM: 16400-75071/75330  
 DPI:

TO-12011



CARTYPE: HILUX 海拉克斯 AT  
 CORE SIZE: BC 425\*508\*49/32 TANK SIZE: 535\*65  
 CARTON:  
 OEM:  
 DPI:

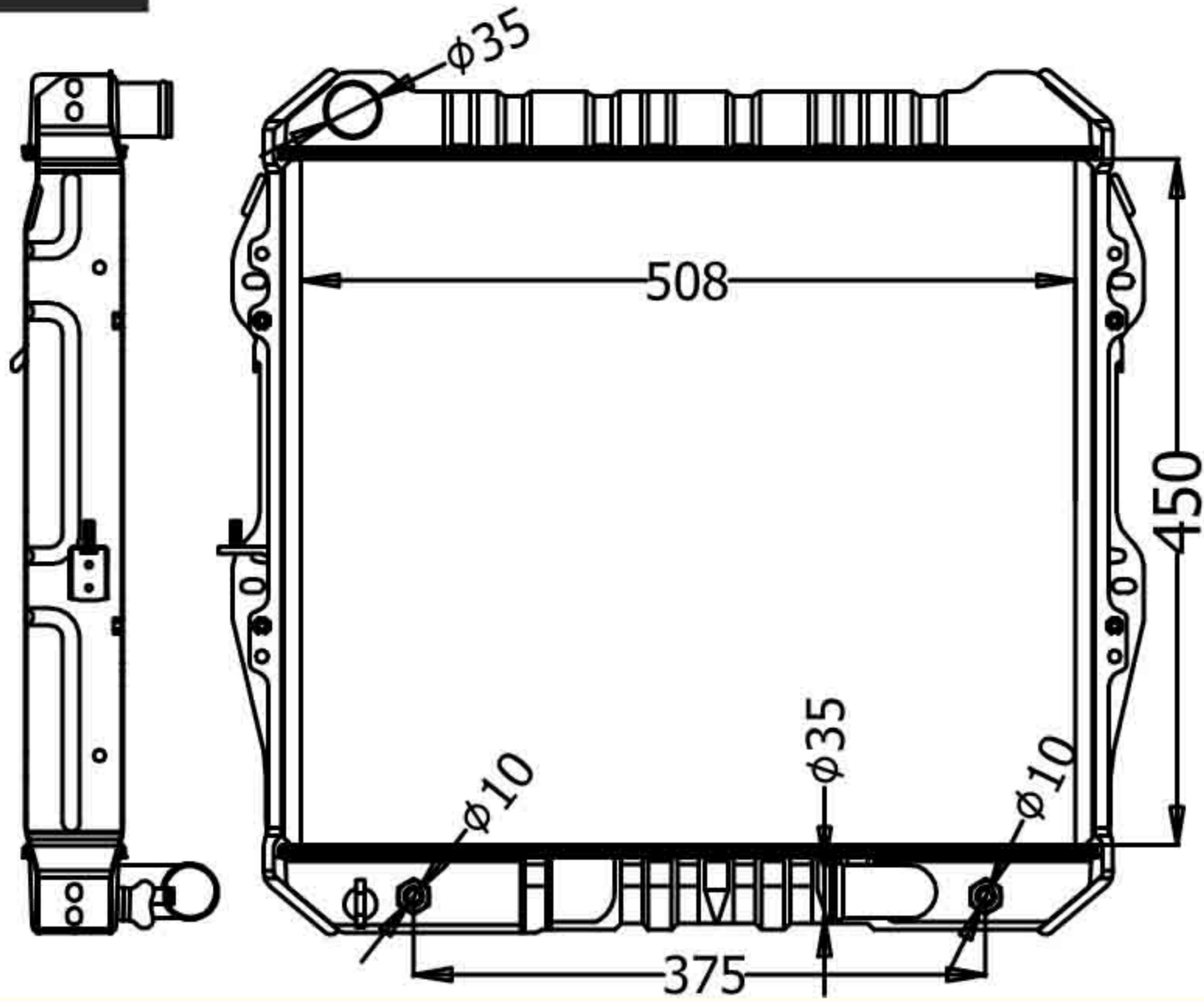
TO-12012



CARTYPE: HILUX 海拉克斯 MT  
 CORE SIZE: BC 425\*508\*49 TANK SIZE: 535\*65  
 CARTON:  
 OEM:  
 DPI:

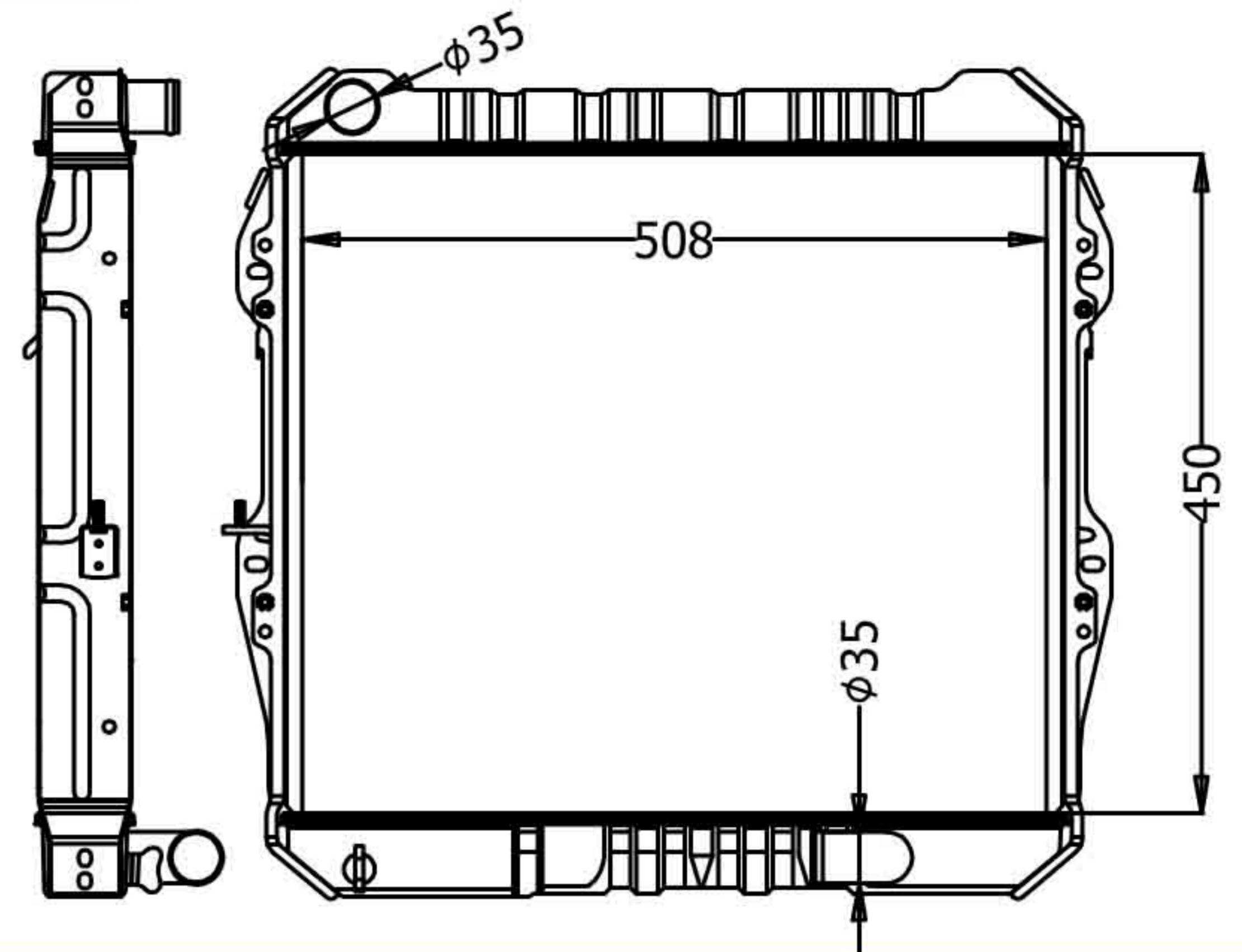
# TOYOTA

**TO-12013**



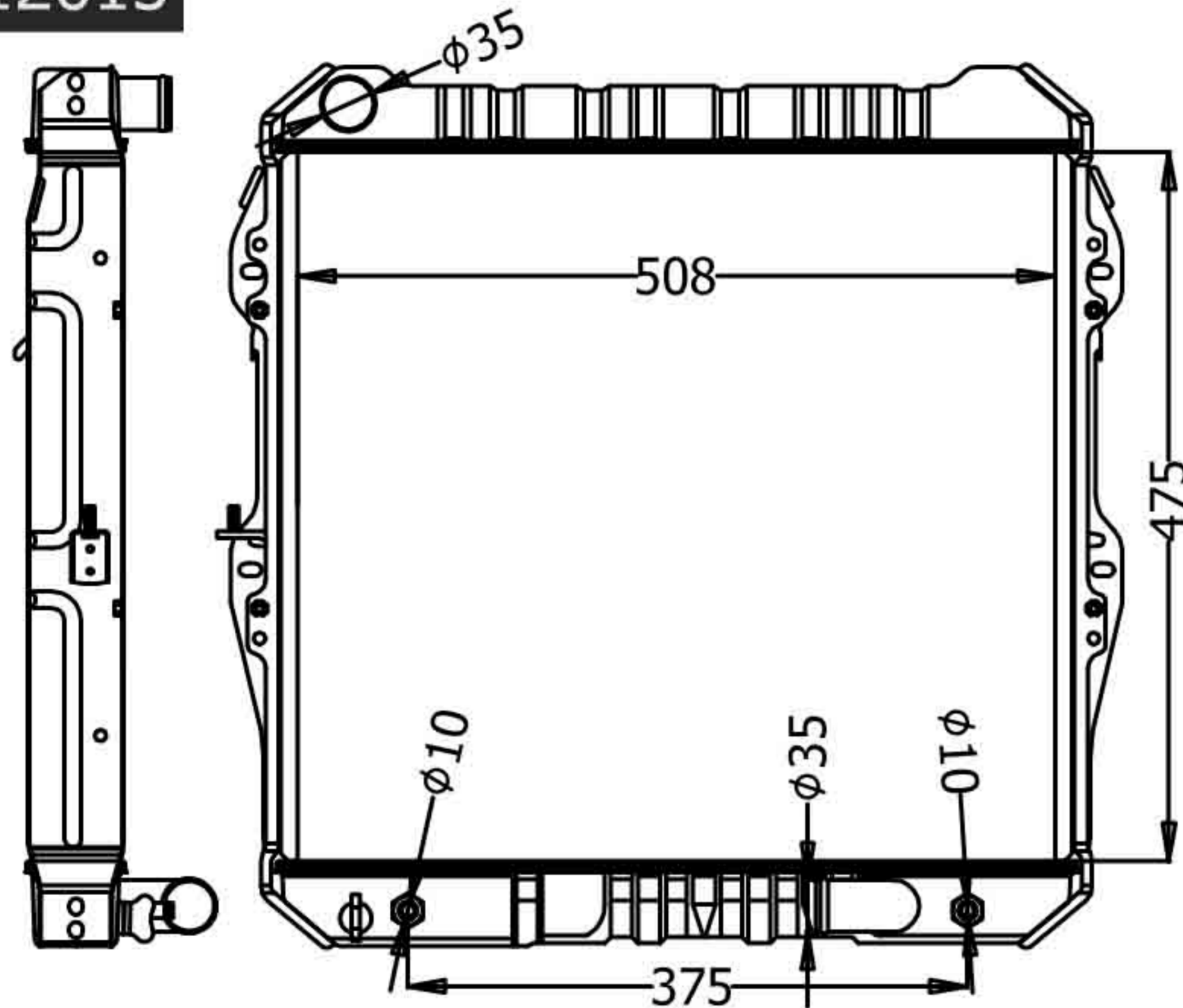
CARTYPE: HILUX (海拉克斯) AT  
 CORE SIZE: BC 450x508x49 TANK SIZE:535\*65  
 CARTON:630\*600\*150  
 OEM:  
 DPI:

**TO-12014**



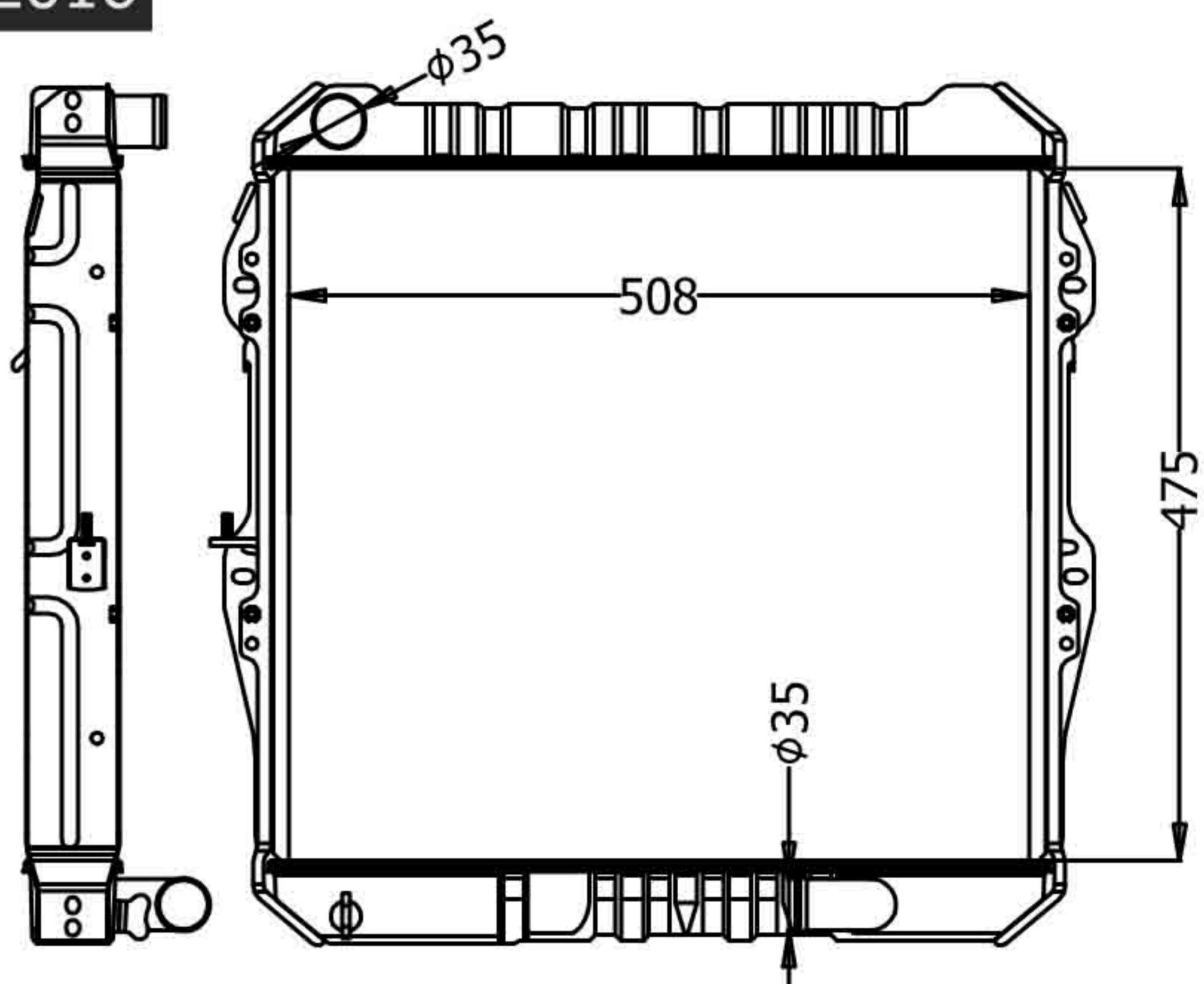
CARTYPE: HILUX (海拉克斯) MT  
 CORE SIZE: BC 450x508x49 TANK SIZE:535\*65  
 CARTON: 630\*600\*150  
 OEM:  
 DPI:

**TO-12015**



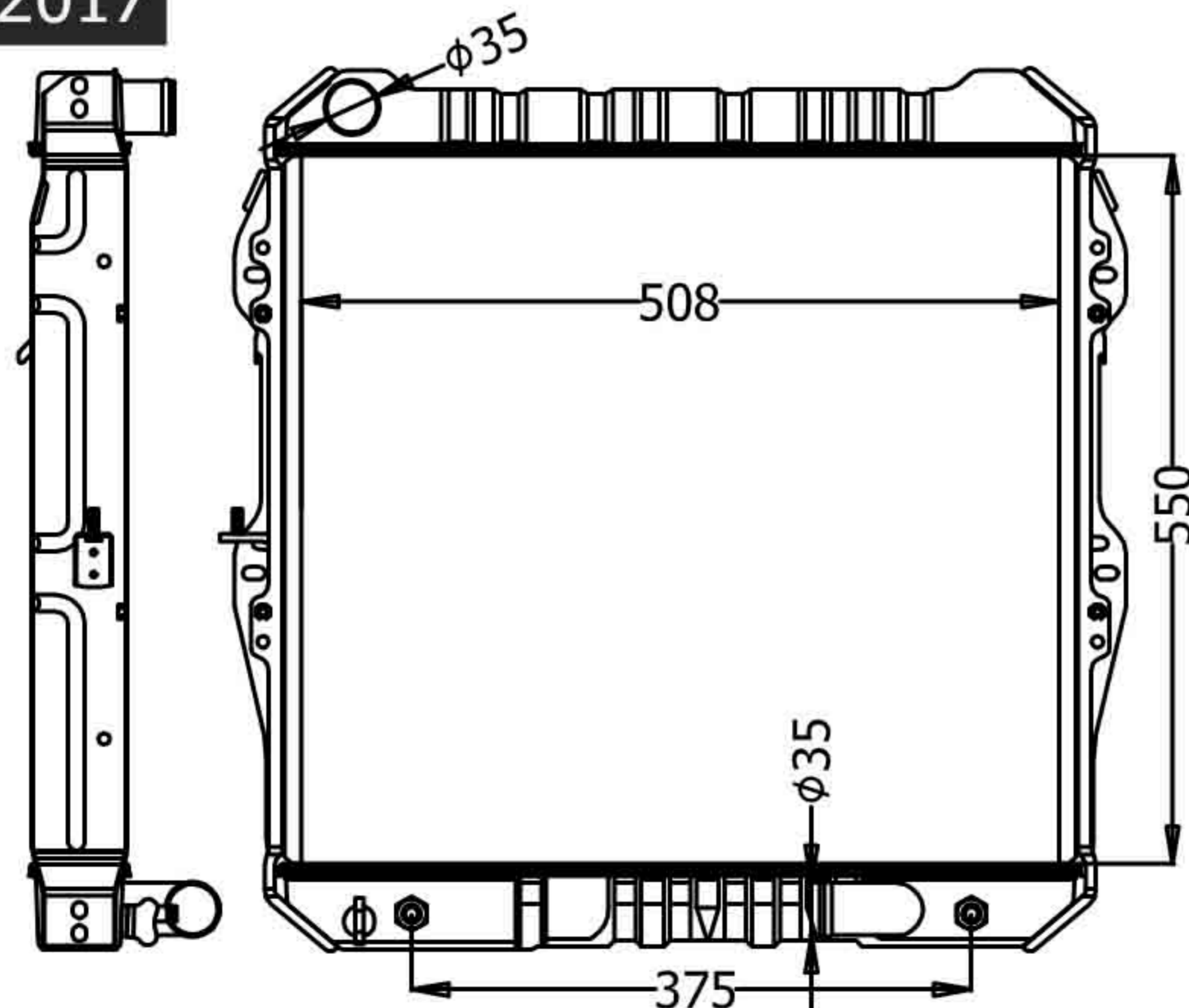
CARTYPE: HILUX2.4'88-93(海拉克斯) AT  
 CORE SIZE: BC 475x508x49 TANK SIZE:535\*65  
 CARTON: 660\*625\*150  
 OEM:  
 DPI:

**TO-12016**



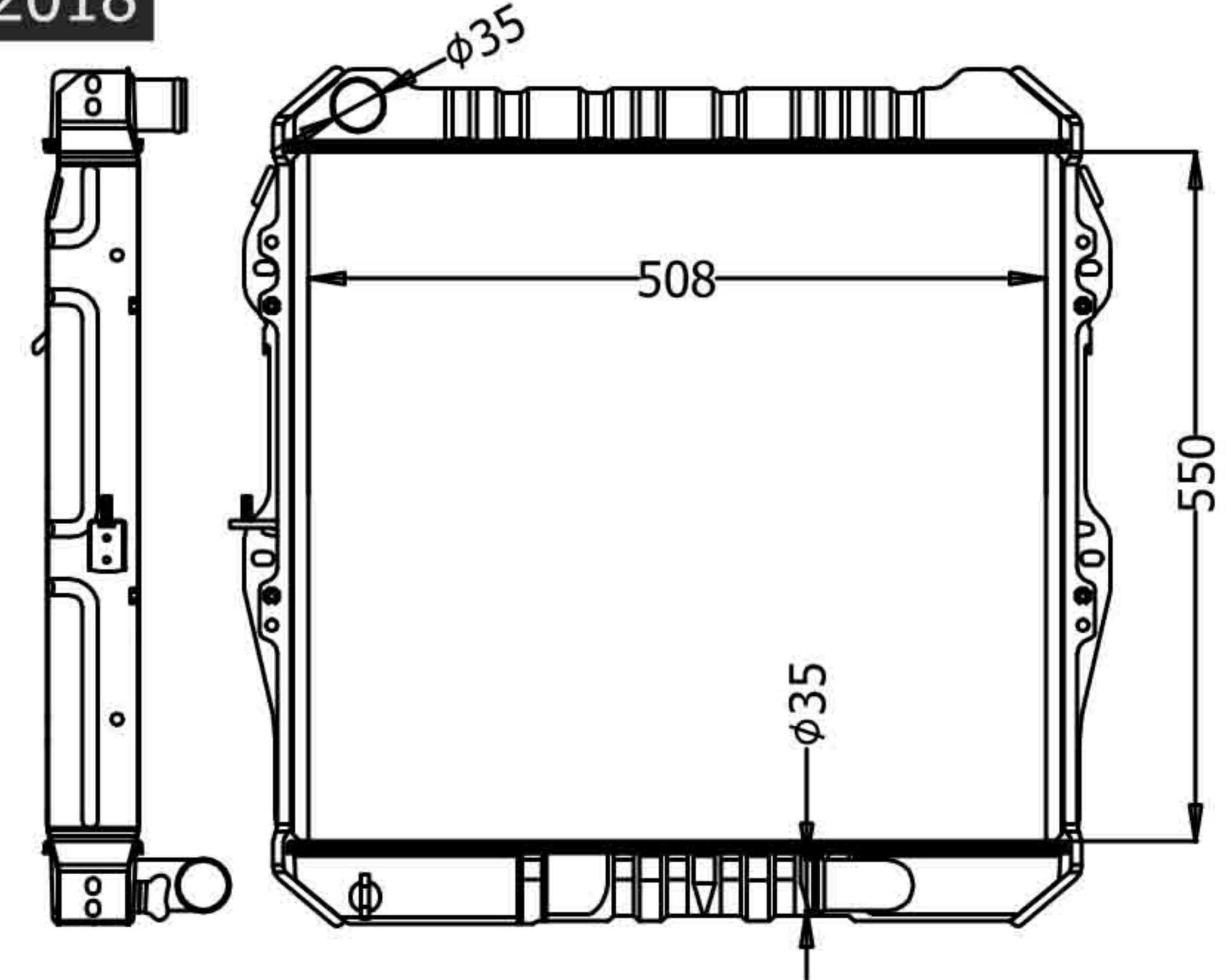
CARTYPE: HILUX2.4'88-93 (海拉克斯) MT  
 CORE SIZE: BC 475x508x49 TANK SIZE: 535\*65  
 CARTON: 660\*625\*150  
 OEM:  
 DPI:

**TO-12017**



CARTYPE: HILUX2.4 88-93 海拉克斯 AT  
 CORE SIZE: BC 550x508x49 TANK SIZE:535\*65  
 CARTON:  
 OEM:  
 DPI:

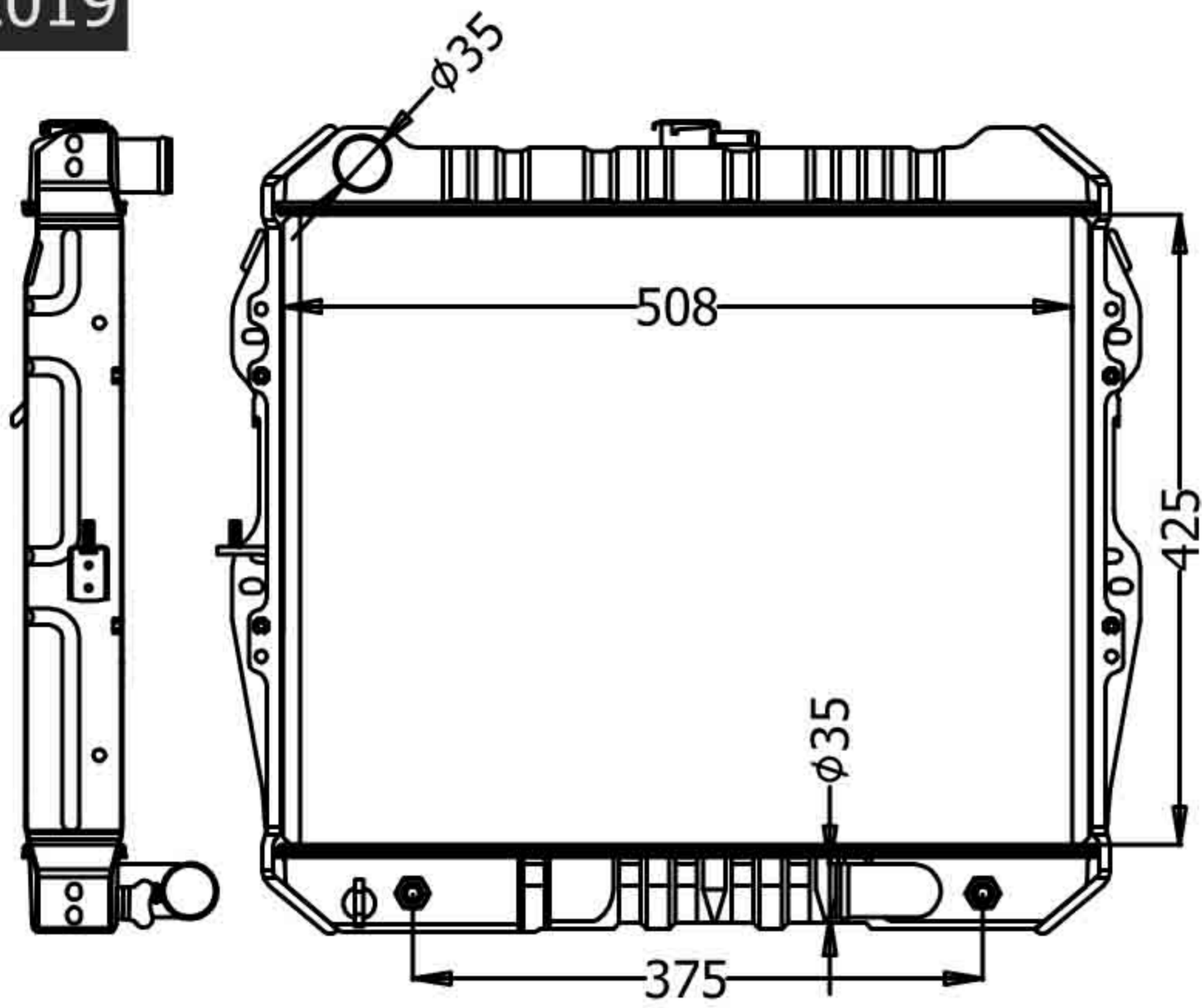
**TO-12018**



CARTYPE: HILUX2.4'88-93 (海拉克斯) MT  
 CORE SIZE: BC 550x508x49 TANK SIZE: 535\*65  
 CARTON:  
 OEM:  
 DPI:

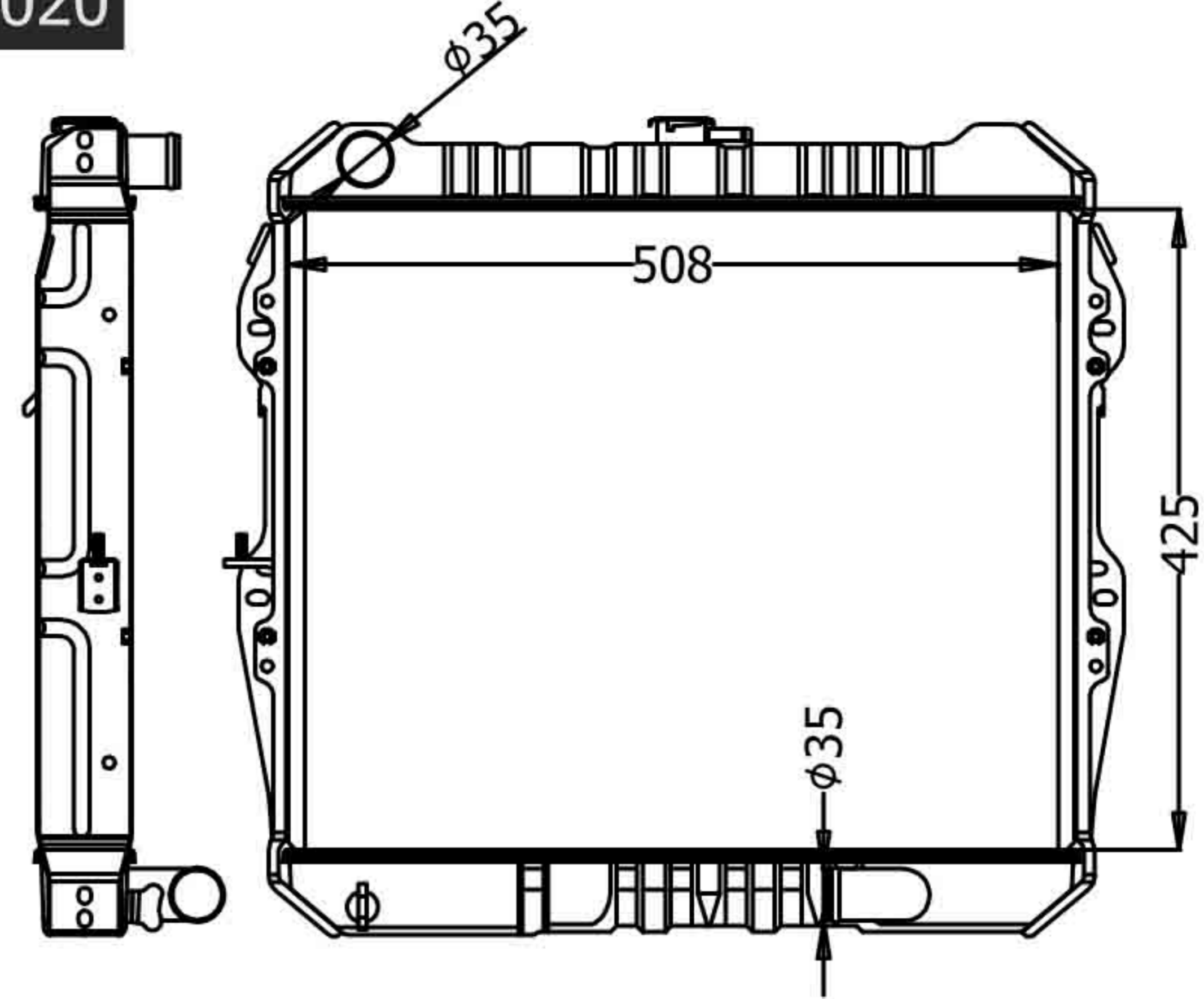
# TOYOTA

TO-12019



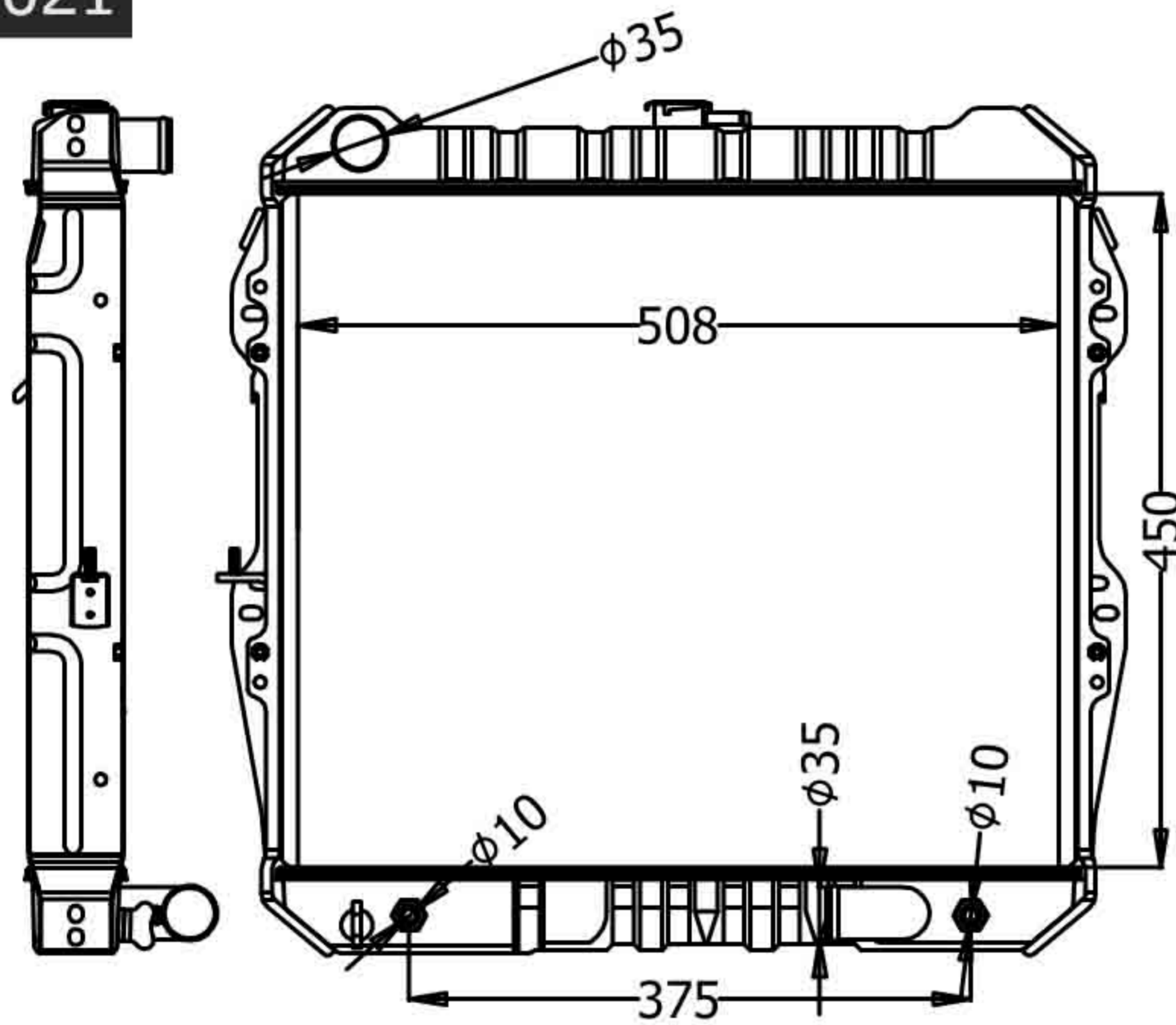
CARTYPE: HILUX2.4 88-97(海拉克斯) AT  
 CORE SIZE: BC 425x508x49 TANK SIZE: 535\*65  
 CARTON:  
 OEM:  
 DPI:

TO-12020



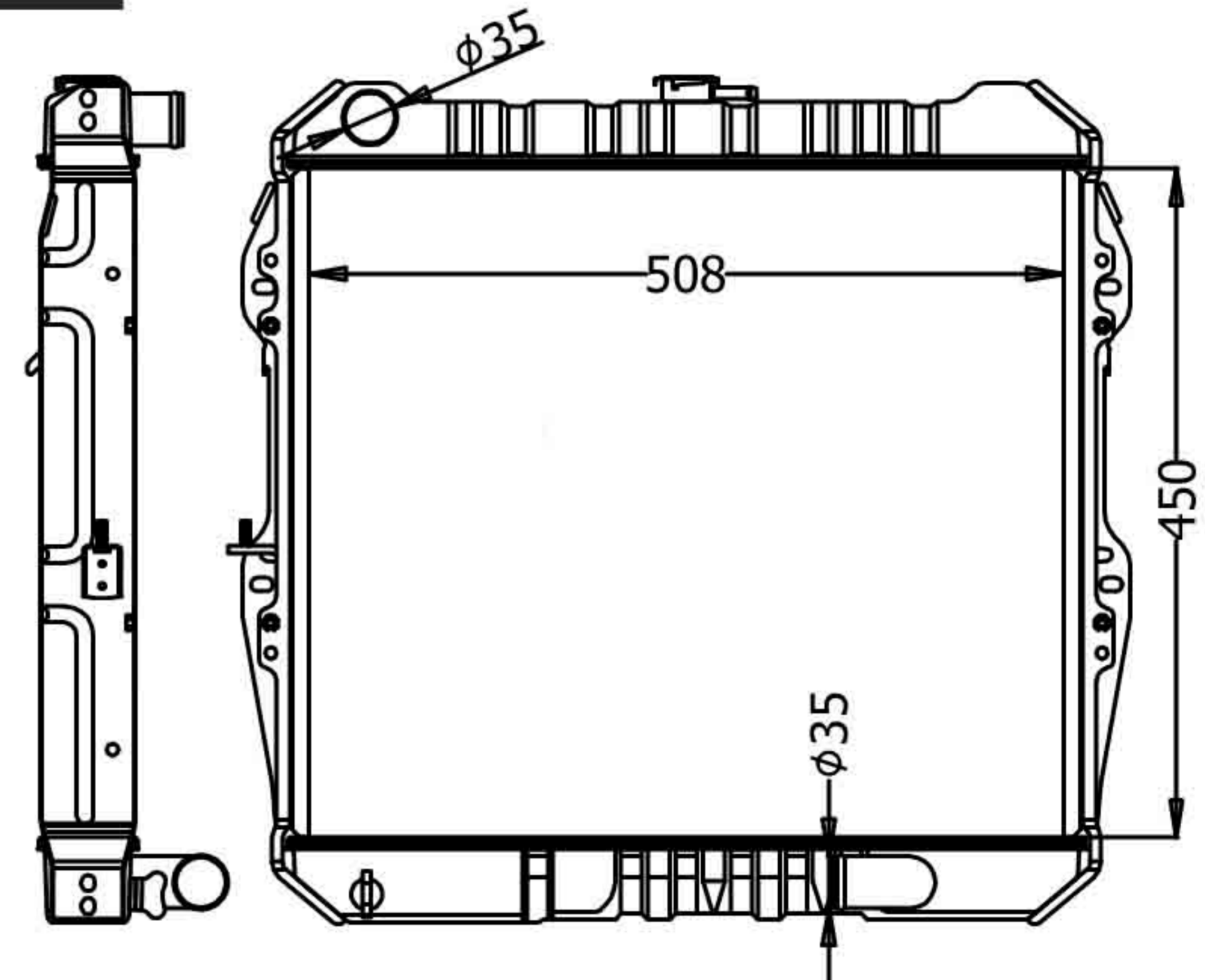
CARTYPE: HILUX2.4 88-97 (海拉克斯) MT  
 CORE SIZE: BC 425x508x49 TANK SIZE:535\*65  
 CARTON:  
 OEM:  
 DPI:

TO-12021



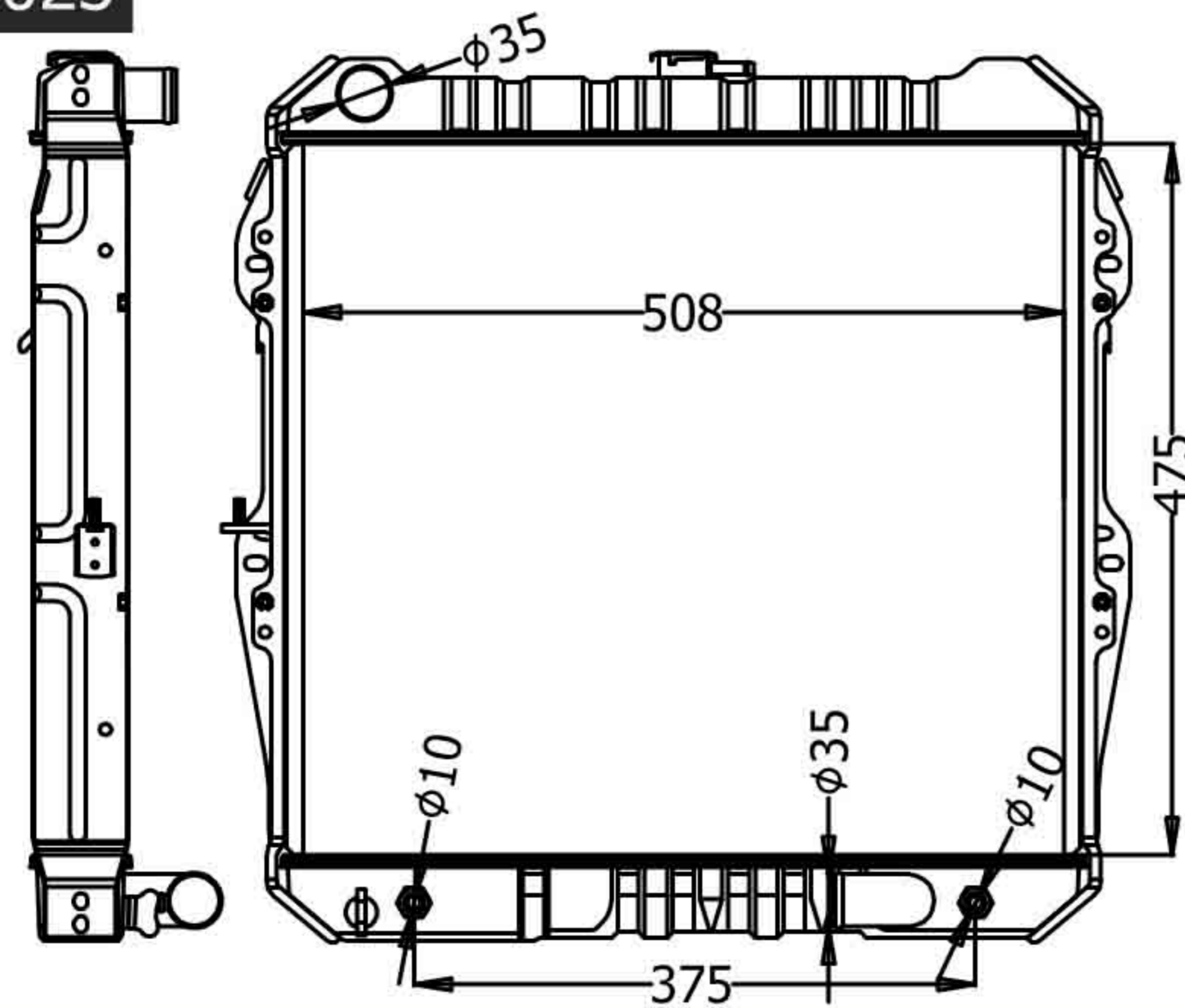
CARTYPE: HILUX2.4'88-97 (海拉克斯) AT  
 CORE SIZE: BC 450x508x49 TANK SIZE: 535\*65  
 CARTON: 630\*600\*150  
 OEM:  
 DPI:

TO-12022



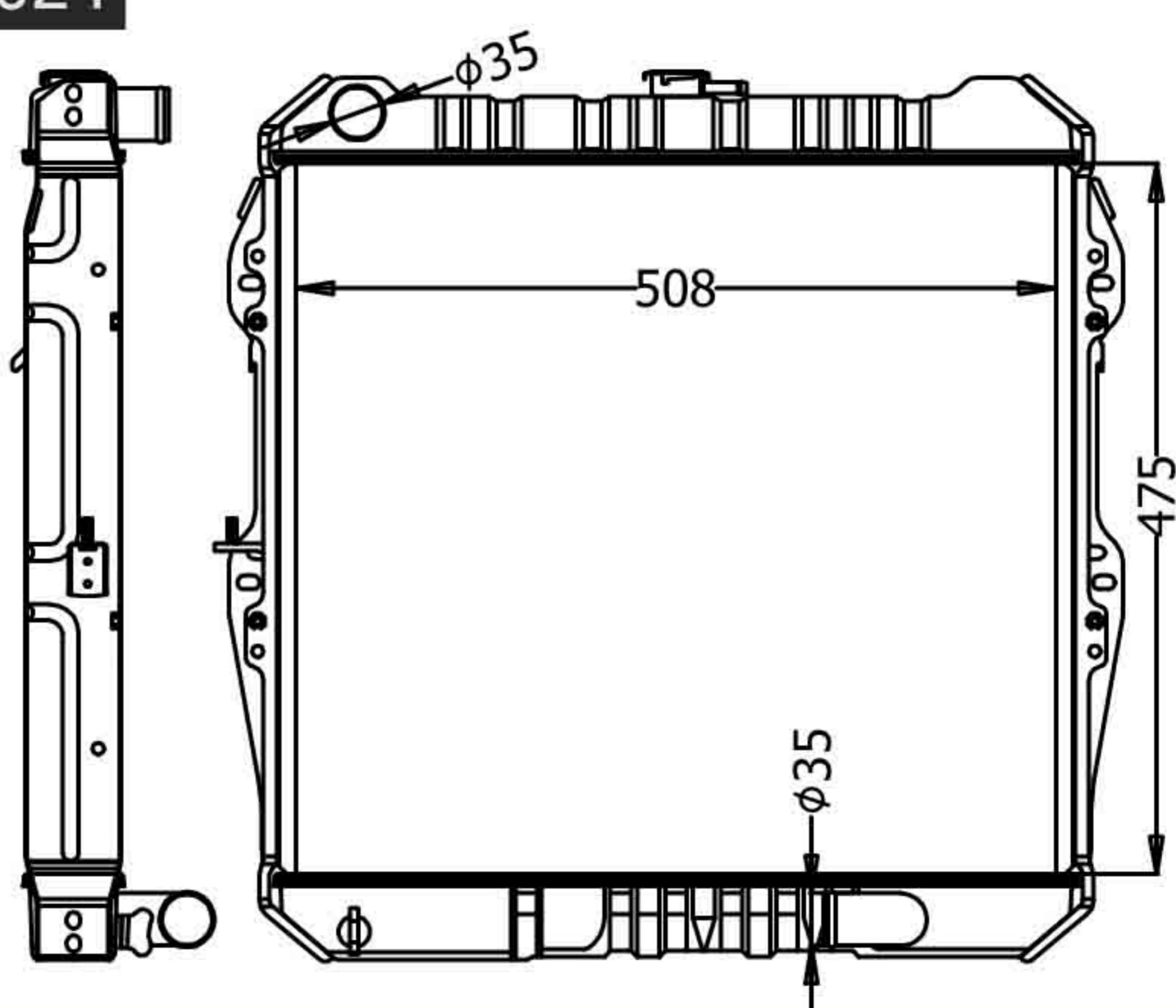
CARTYPE: HILUX2.4'88-97 (海拉克斯) MT  
 CORE SIZE: BC 450x508x49 TANK SIZE:535\*65  
 CARTON: 630\*600\*150  
 OEM:  
 DPI:

TO-12023



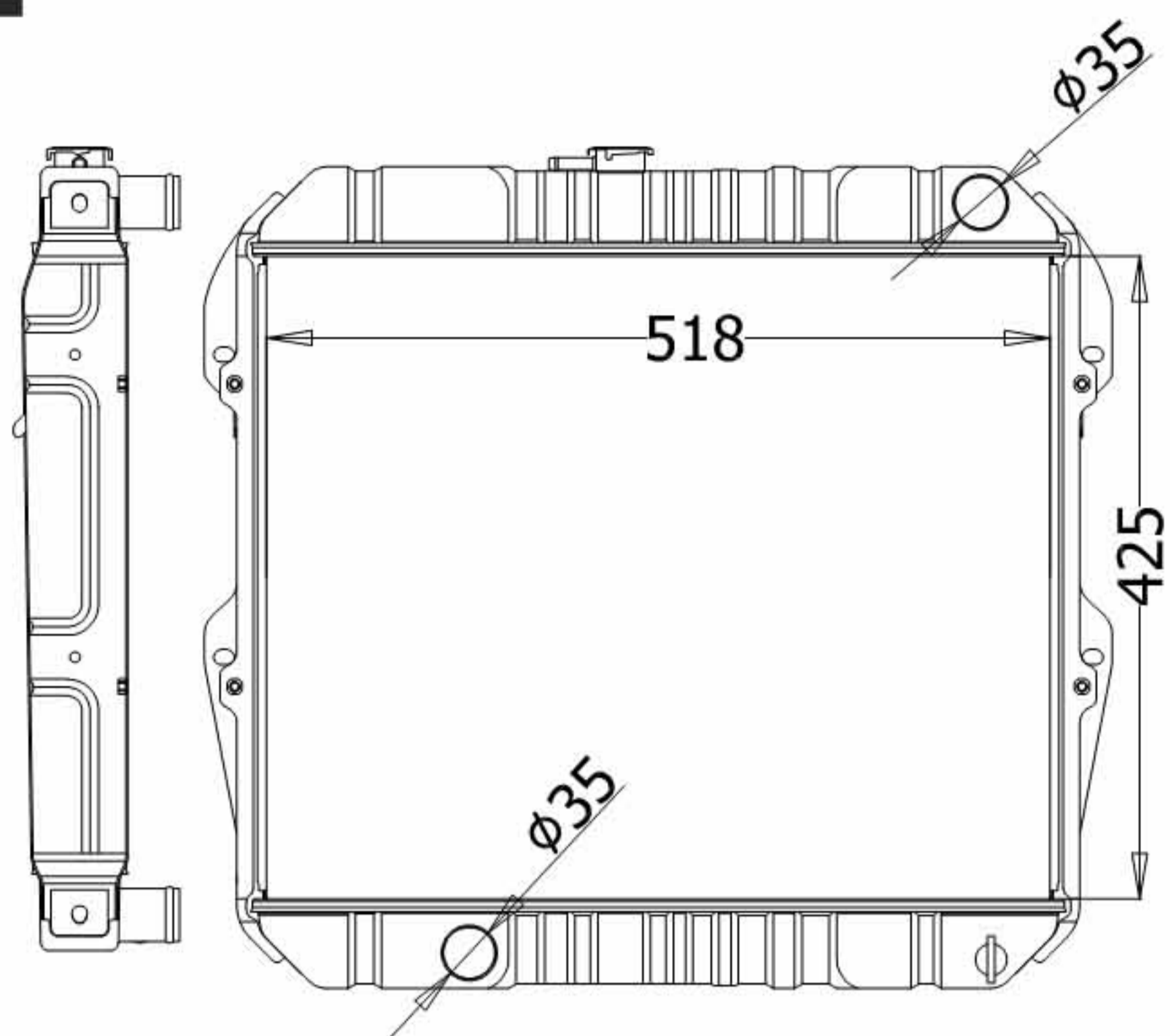
CARTYPE: HILUX2.4'88-97 (海拉克斯) AT  
 CORE SIZE: BC 475x508x49 TANK SIZE: 535\*65  
 CARTON: 630\*625\*150  
 OEM:  
 DPI:

TO-12024



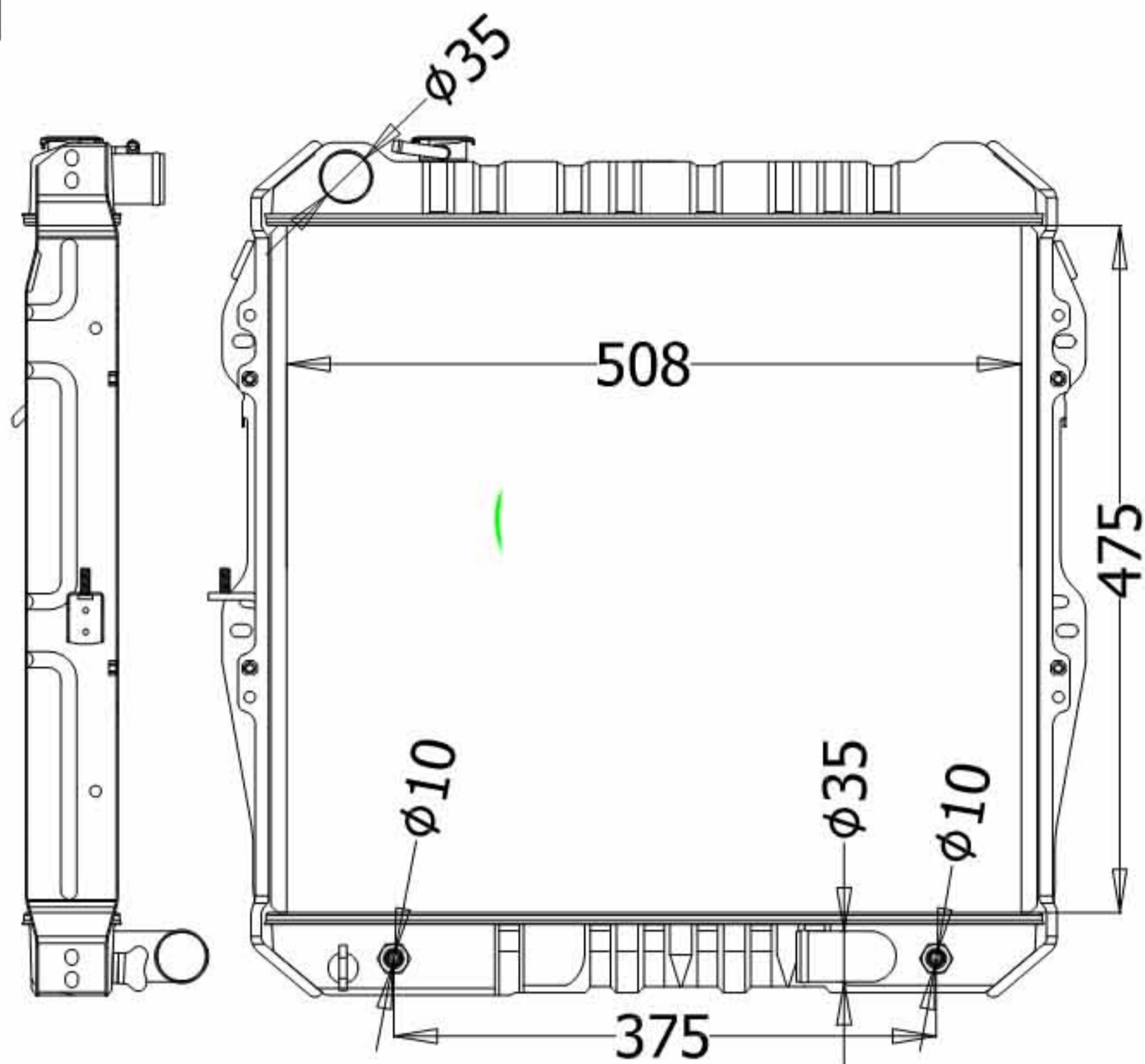
CARTYPE: HILUX2.4'88-97 (海拉克斯) MT  
 CORE SIZE: BC 475x508x49 TANK SIZE:535\*65  
 CARTON: 630\*625\*150  
 OEM:  
 DPI:

## TO-12031



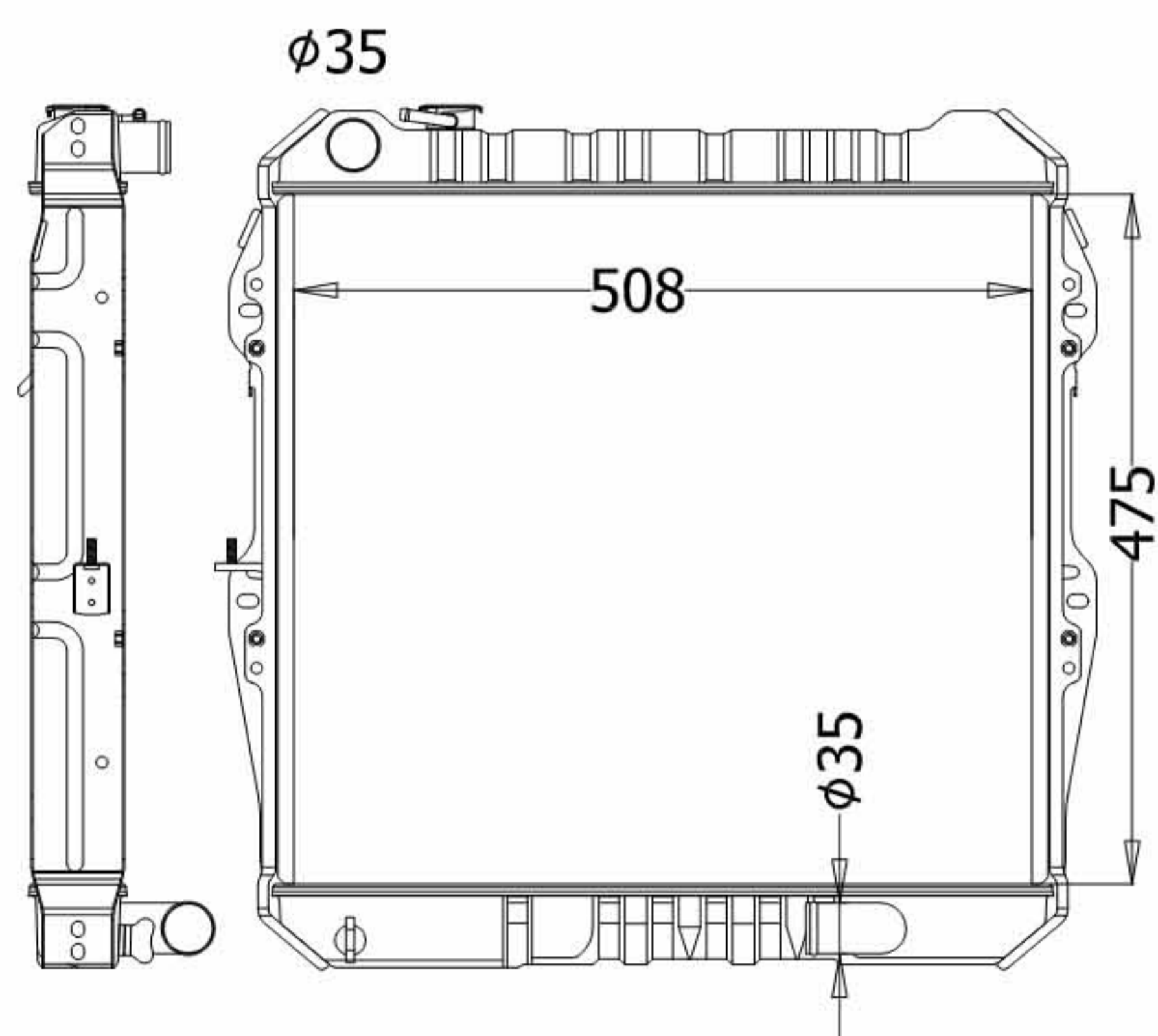
ARTYPE: HILUX PICKUP RN85 MT  
 CORE SIZE: BC 425x518x49 TANK SIZE: 535\*60  
 CARTON: 620\*595\*130  
 OEM: 16400-35370  
 DPI:

## TO-12032



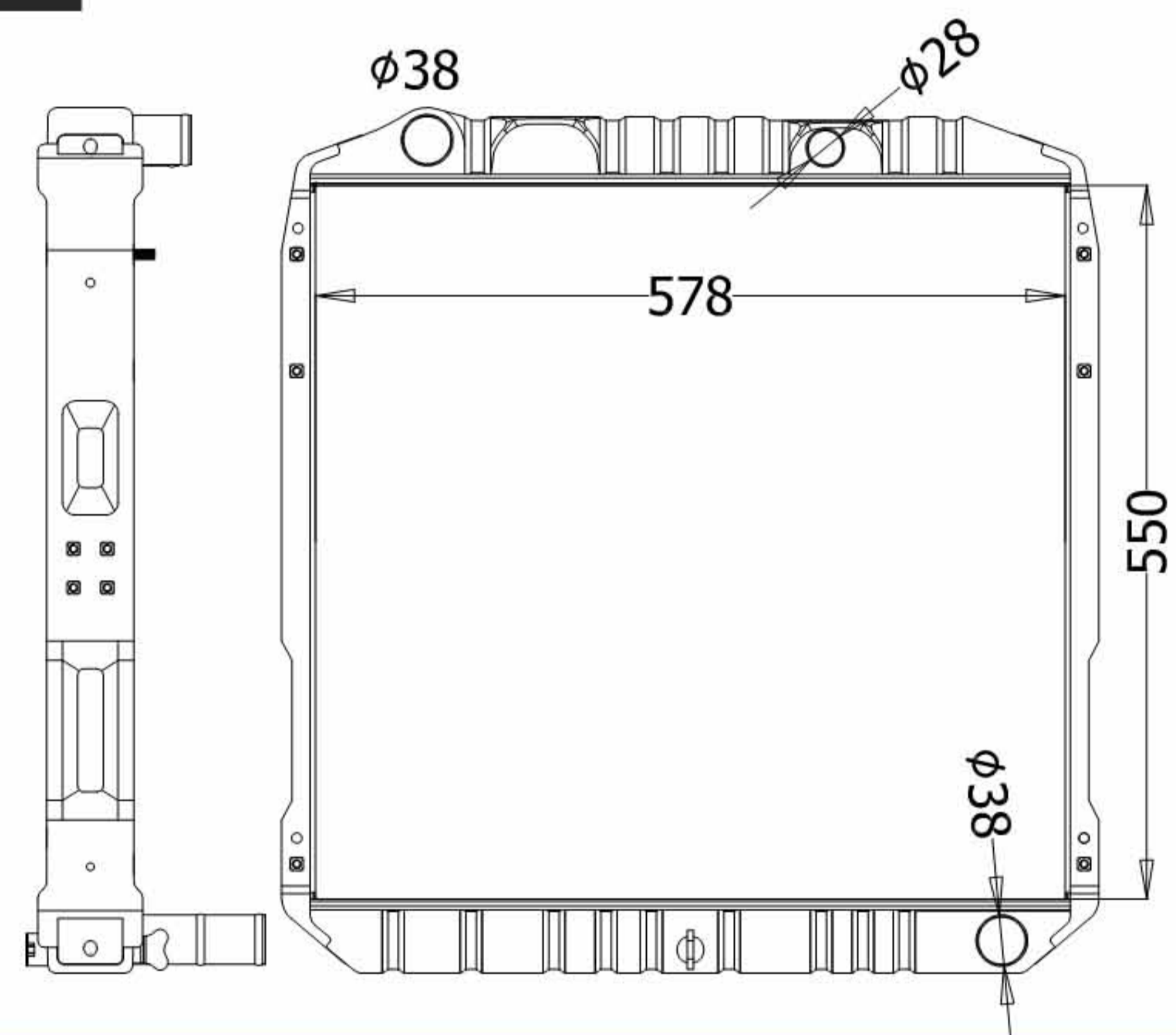
CARTYPE: HILUX 2.4 88-97 (柴油海拉克斯) AT  
 CORE SIZE: BC 475x508x49 TANK SIZE: 535\*65  
 CARTON: 630\*625\*150  
 OEM:  
 DPI:

## TO-12033



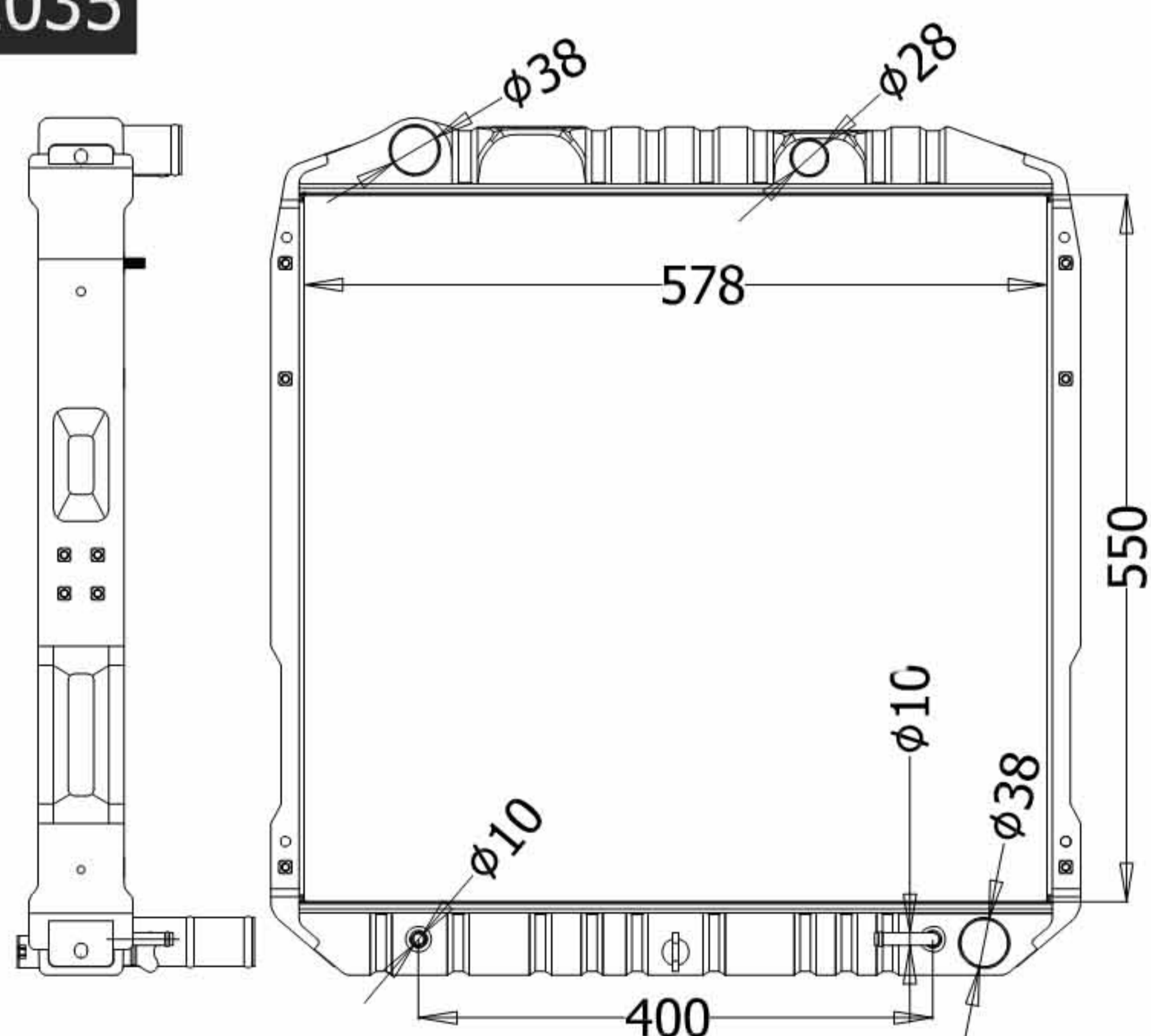
CARTYPE: HILUX 2.4 88-97 (柴油海拉克斯) MT  
 CORE SIZE: BC 475x508x49 TANK SIZE: 535\*65  
 CARTON: 630\*625\*150  
 OEM:  
 DPI:

## TO-12034



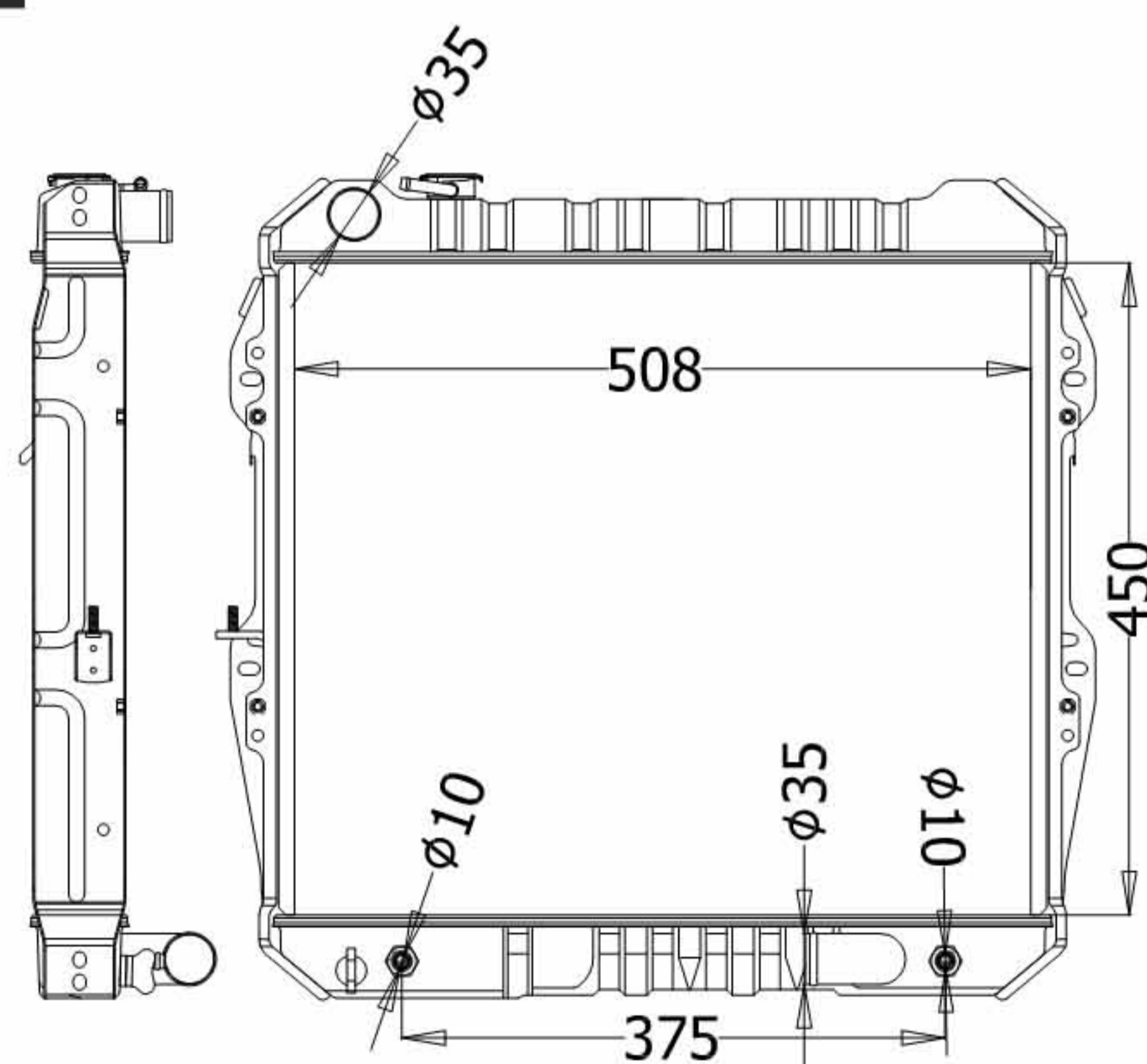
CARTYPE: COASTER (柴油丰田小巴) MT  
 CORE SIZE: BC 550x578x49 TANK SIZE: 600\*74  
 CARTON: 660\*705\*194  
 OEM:  
 DPI:

## TO-12035



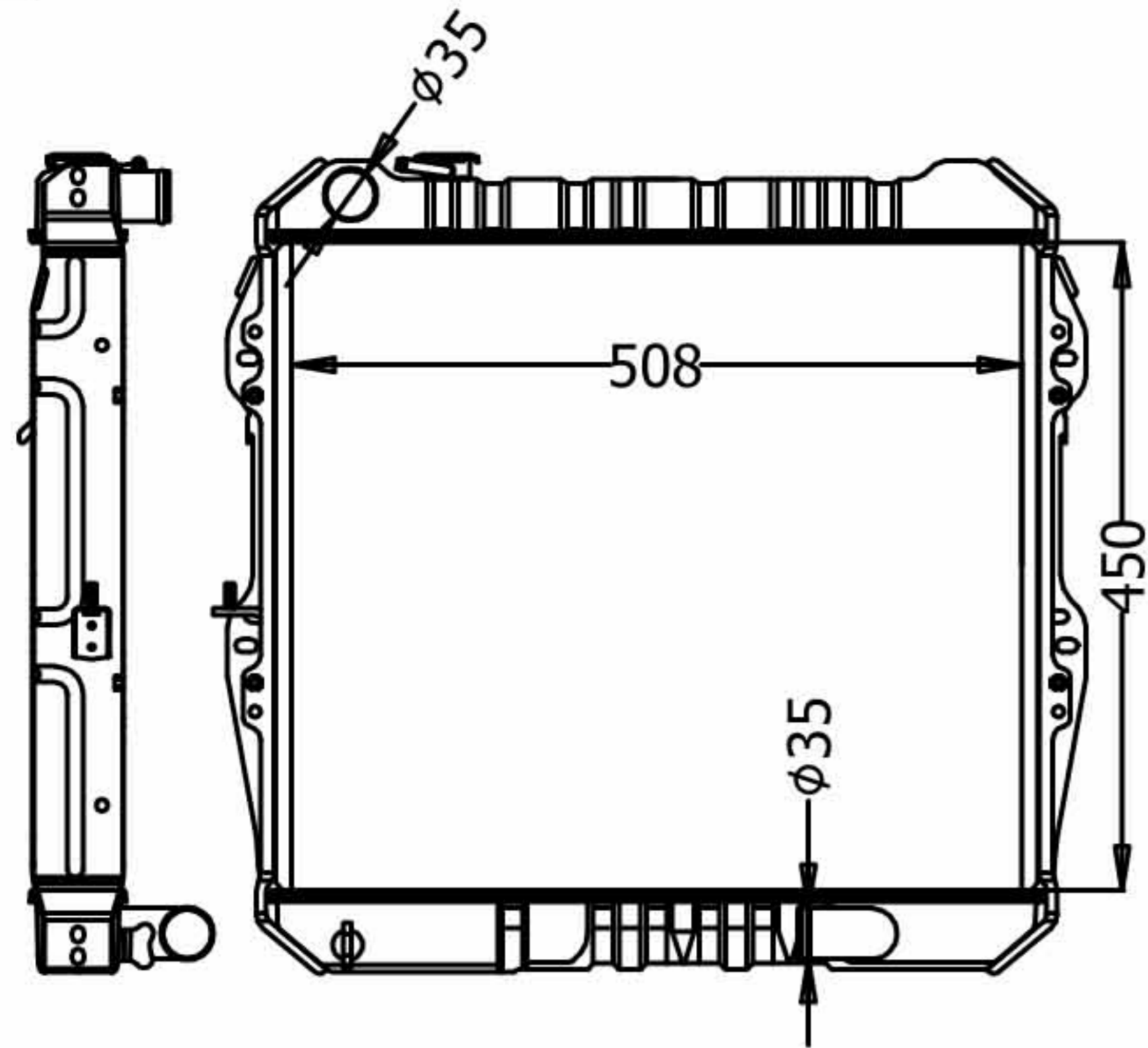
CARTYPE: COASTER(柴油丰田小巴) AT  
 CORE SIZE: BC 550x578x49 TANK SIZE: 600\*74  
 CARTON: 660\*705\*194  
 OEM:  
 DPI:

## TO-12036



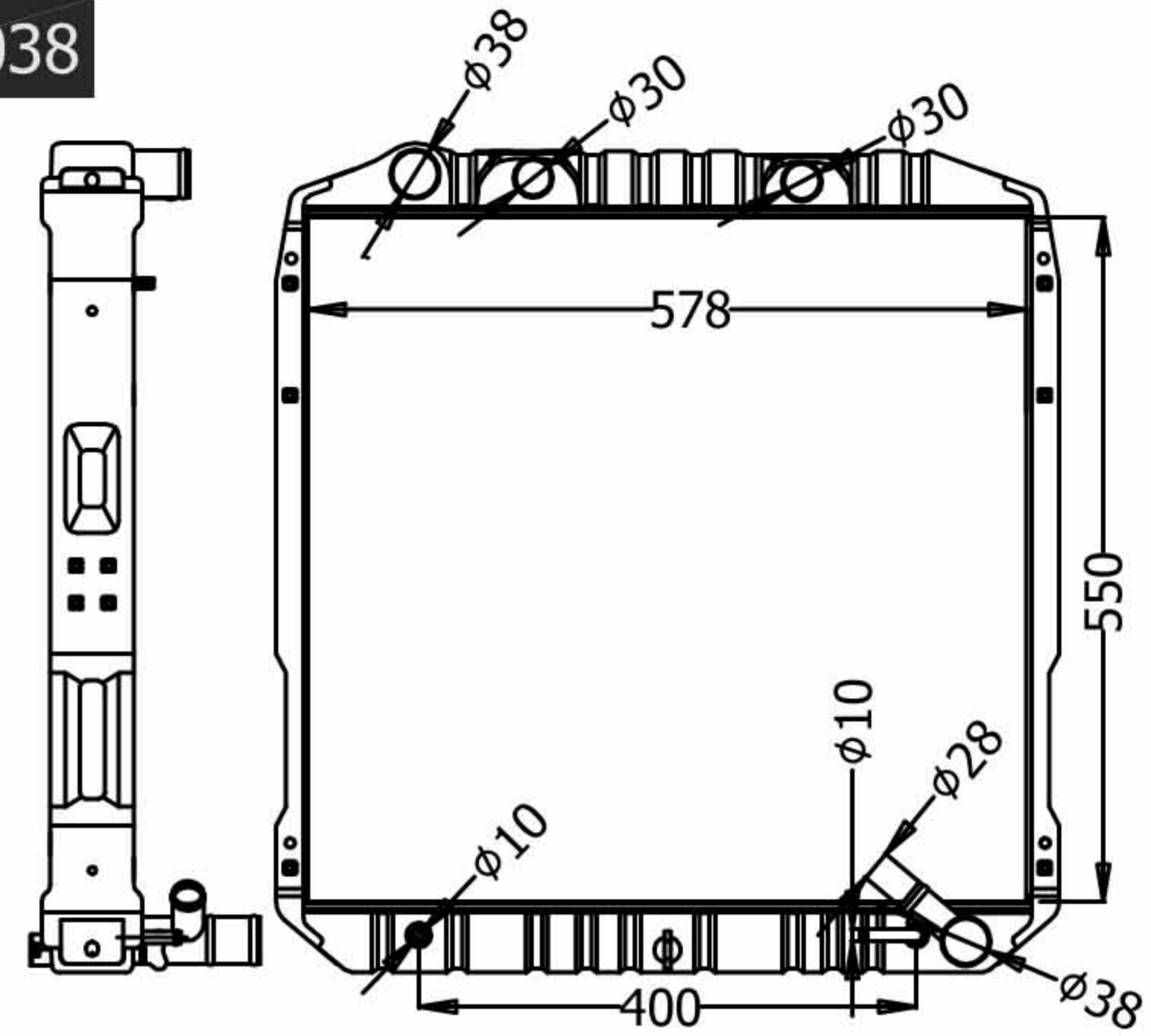
CARTYPE: HILUX 2.4(DIESEL (柴油海拉克斯) AT  
 CORE SIZE: BC 450x508x49 TANK SIZE: 535\*65  
 CARTON: 630\*600\*150  
 OEM:  
 DPI:

**TO-12037**



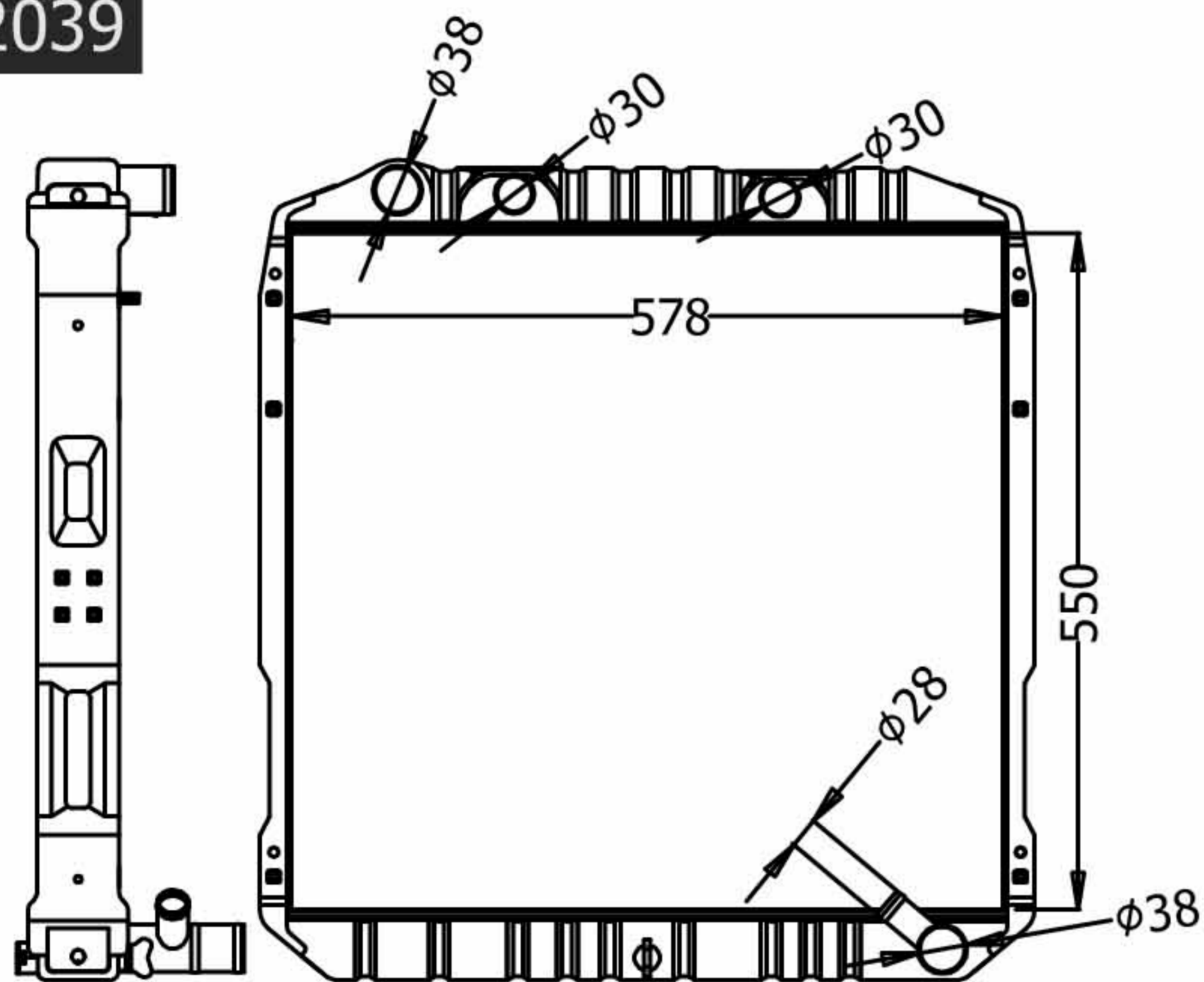
CARTYPE: HILUX2.4(DIESEL (柴油海拉克斯) MT  
 CORE SIZE: BC 450x508x49 TANK SIZE: 535\*65  
 CARTON: 630\*600\*150  
 OEM:  
 DPI:

**TO-12038**



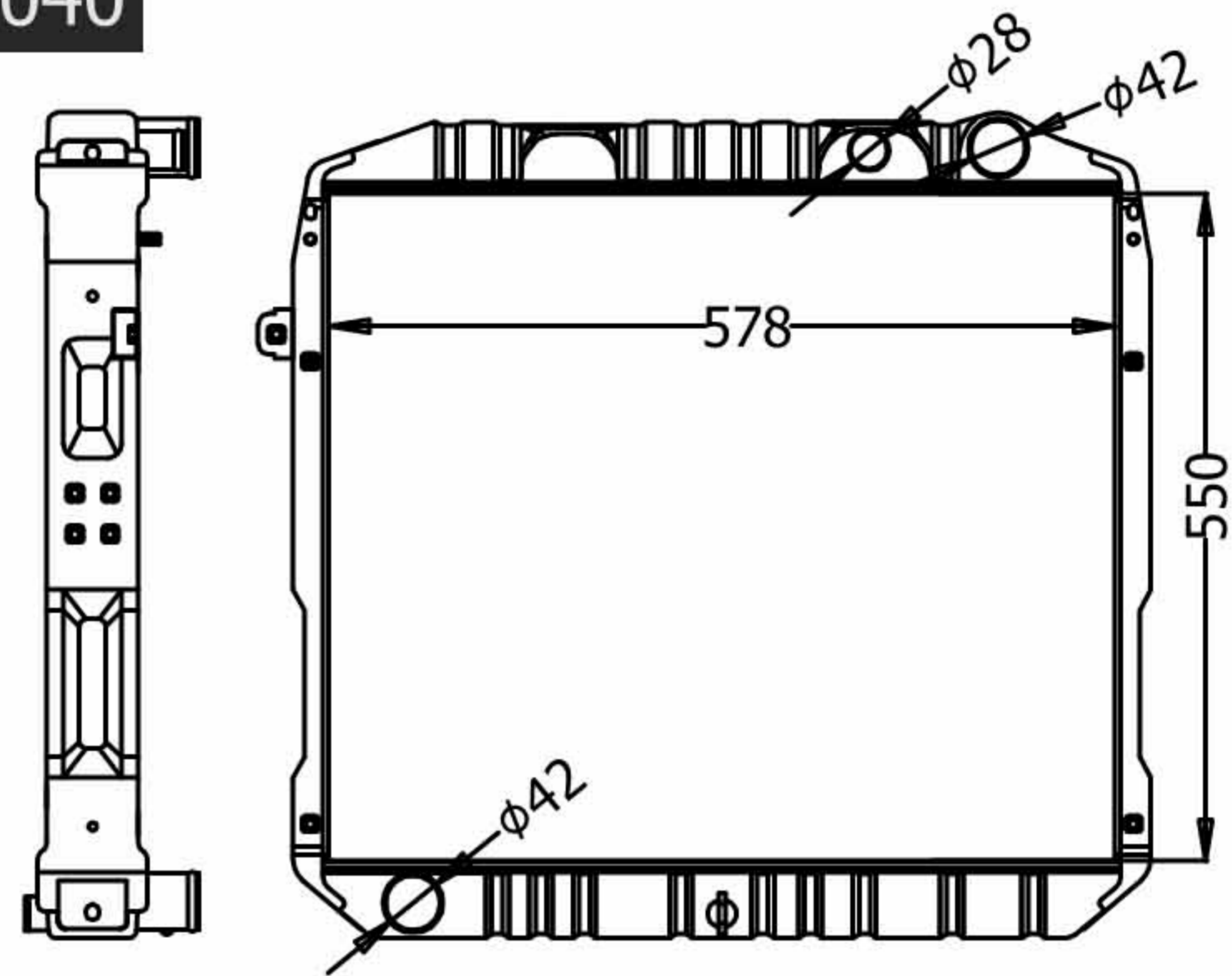
CARTYPE: COASTER(改装丰田中巴)AT  
 CORE SIZE: BC 550x578x49 TANK SIZE: 600\*74  
 CARTON:  
 OEM:  
 DPI:

**TO-12039**



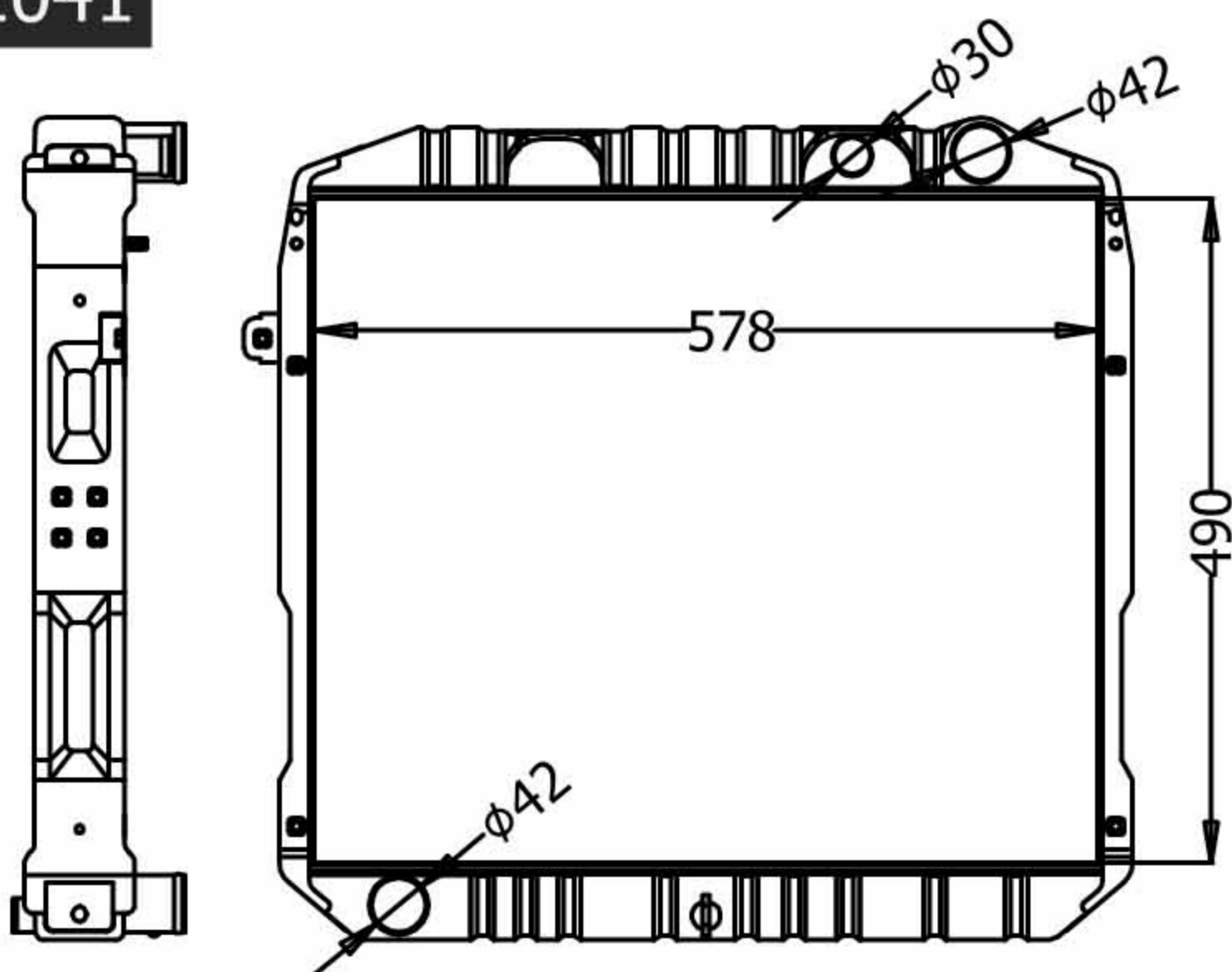
CARTYPE: COASTER(柴油丰田小巴) MT  
 CORE SIZE: BC 550x578x49 TANK SIZE: 600\*74  
 CARTON:  
 OEM:  
 DPI:

**TO-12040**



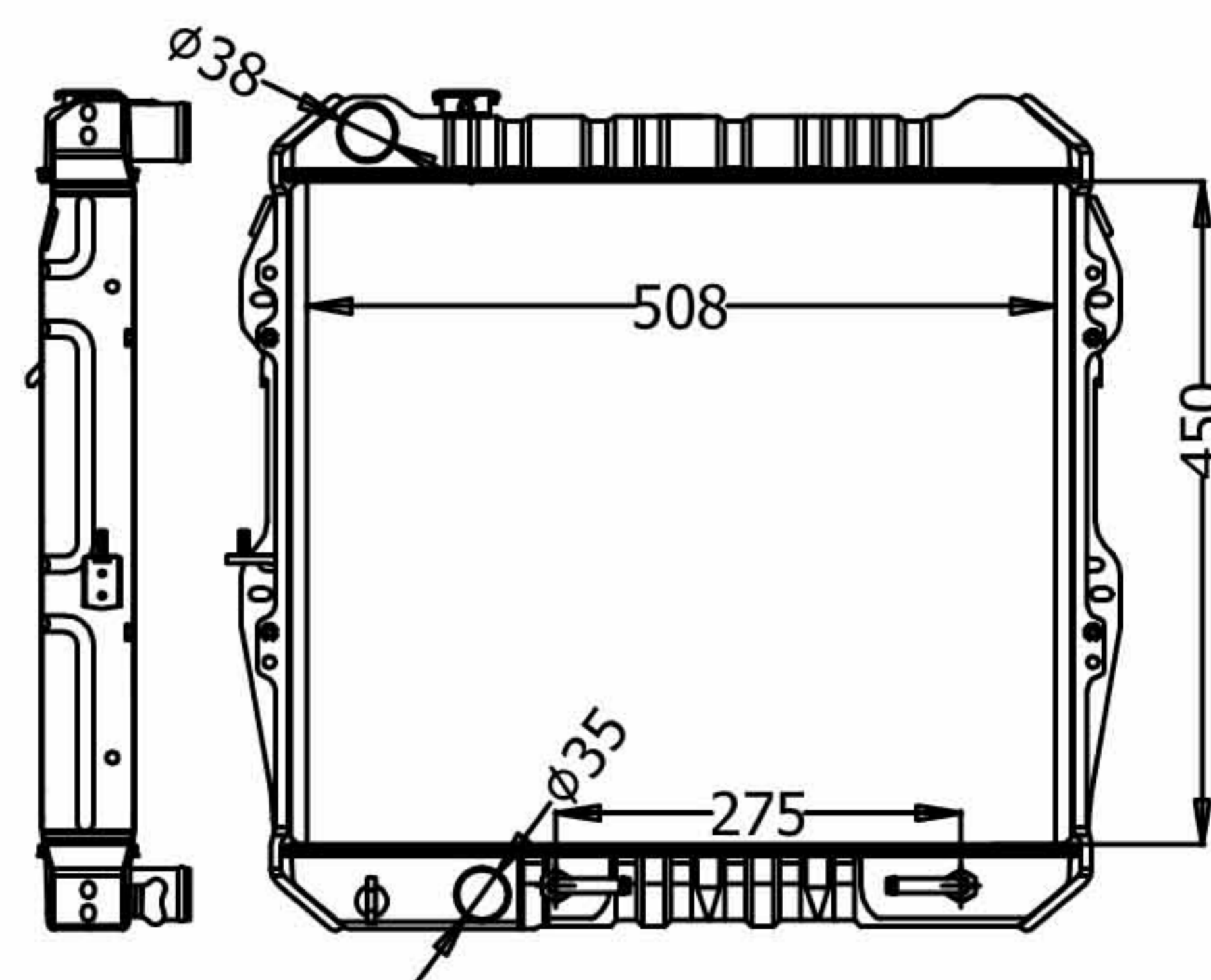
CARTYPE: COASTER490(丰田中巴2#) MT  
 CORE SIZE: BC 550x578x49 TANK SIZE: 600\*74  
 CARTON:  
 OEM:  
 DPI:

**TO-12041**



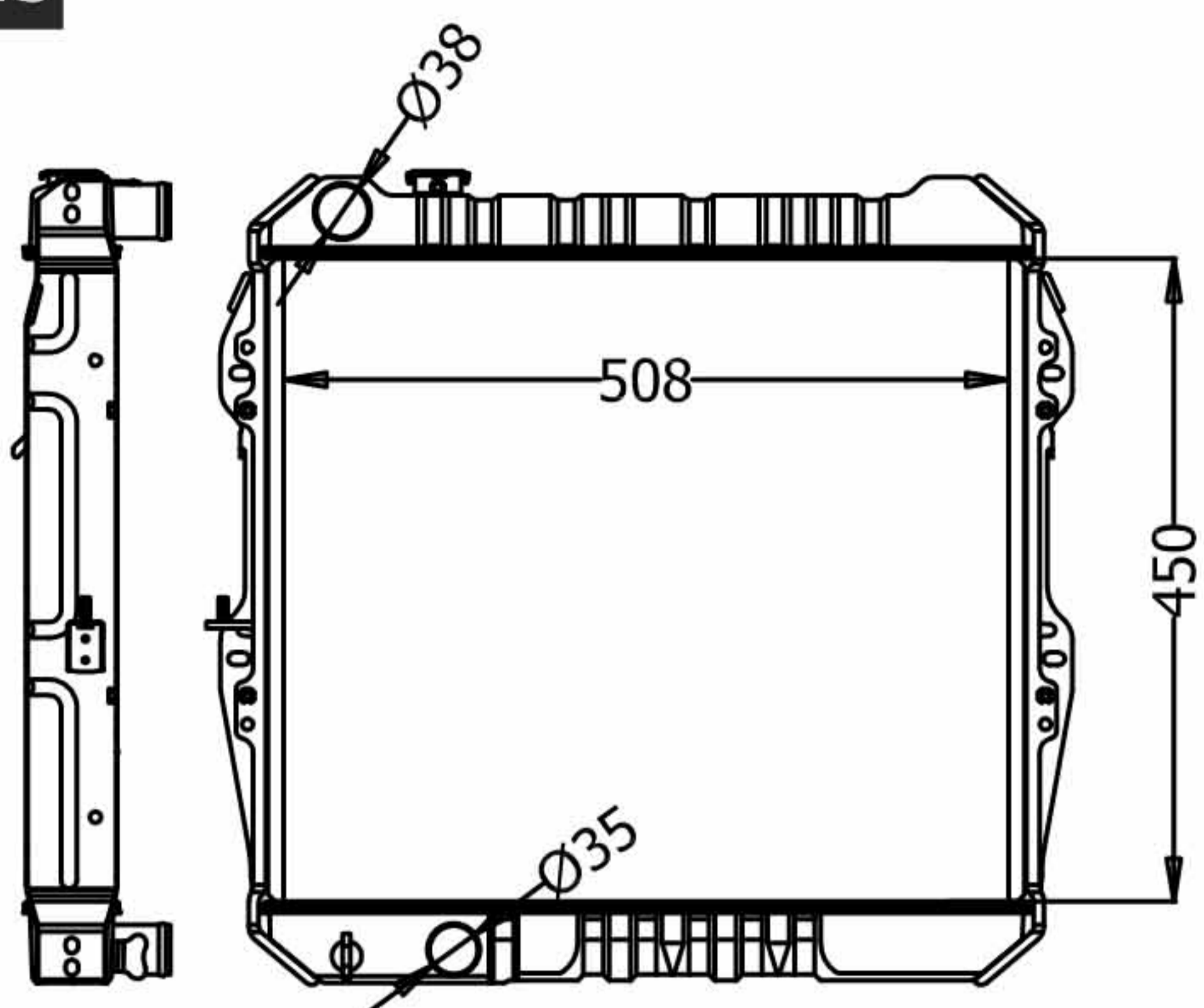
CARTYPE: COASTER(490丰田中巴2#) MT  
 CORE SIZE: BC 490x578x49 TANK SIZE: 600\*74  
 CARTON:  
 OEM:  
 DPI:

**TO-12042**



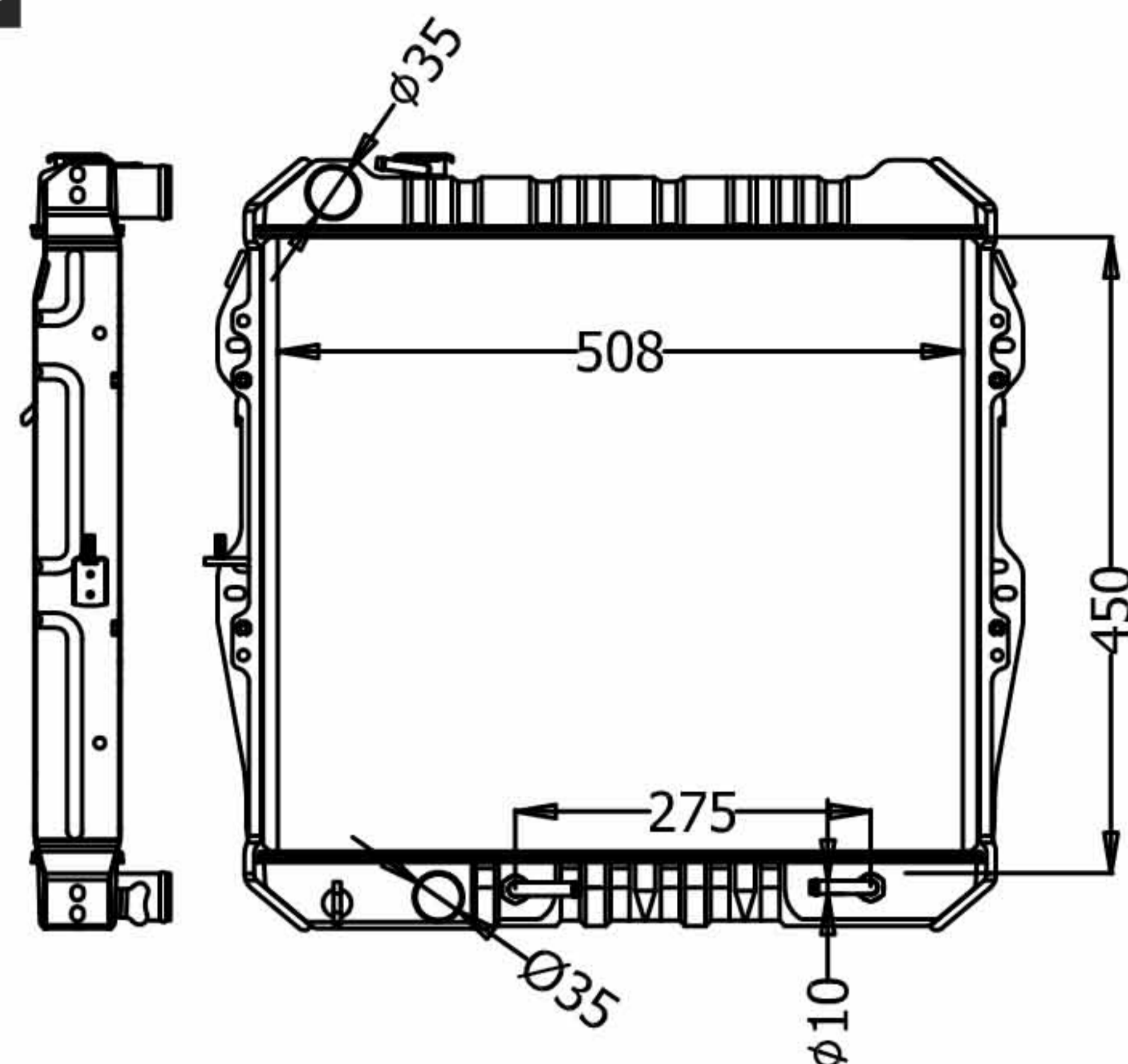
CARTYPE: HILUXL N85(海拉克斯) AT  
 CORE SIZE: BC 450x508x49 TANK SIZE: 535\*65  
 CARTON: 635\*615\*150  
 OEM:  
 DPI:

TO-12043



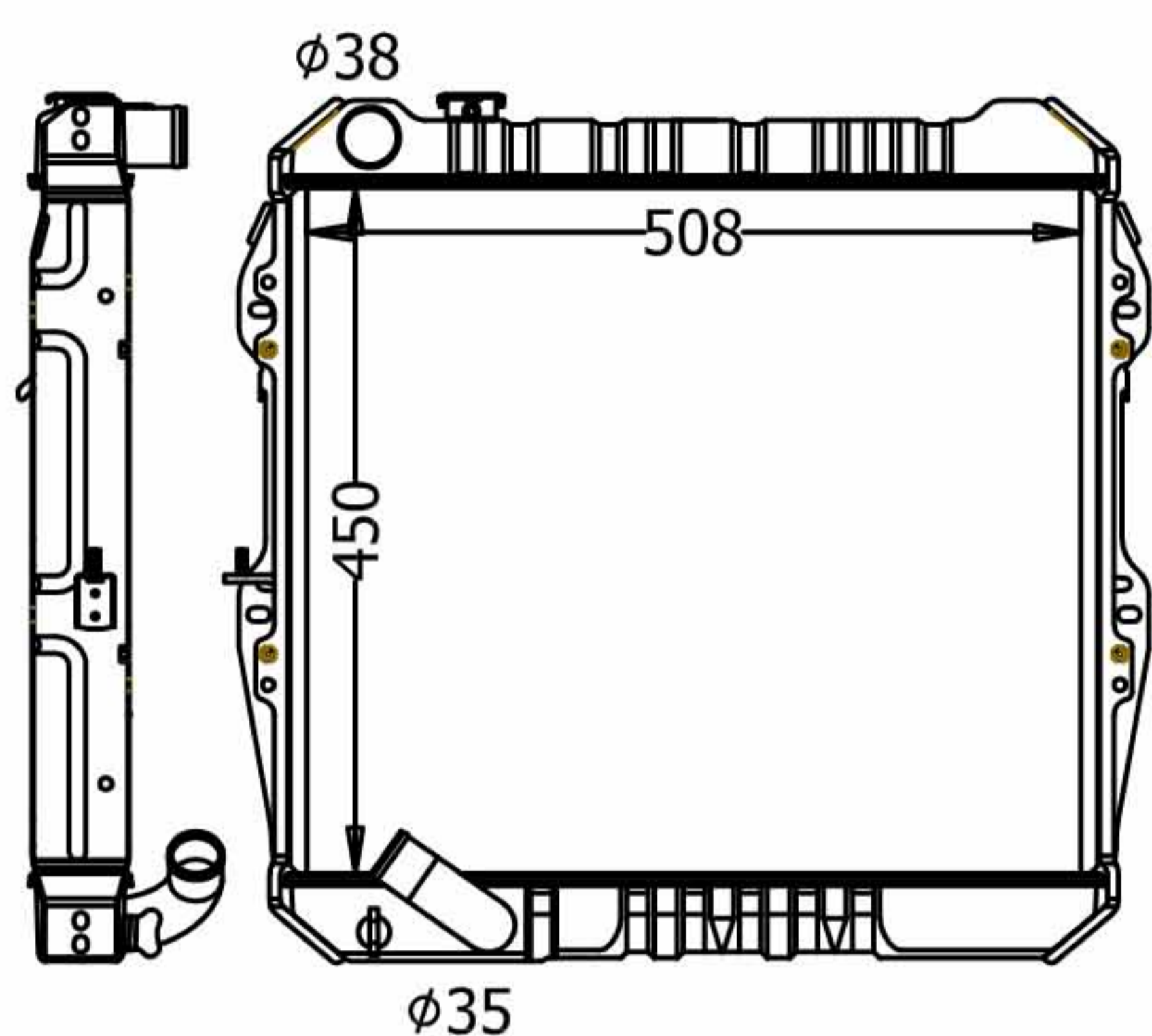
CARTYPE: HILUX (海拉克斯LN85) MT  
 CORE SIZE: BC 450x508x49 TANK SIZE: 535\*65  
 CARTON: 635\*615\*150  
 OEM:  
 DPI:

TO-12044



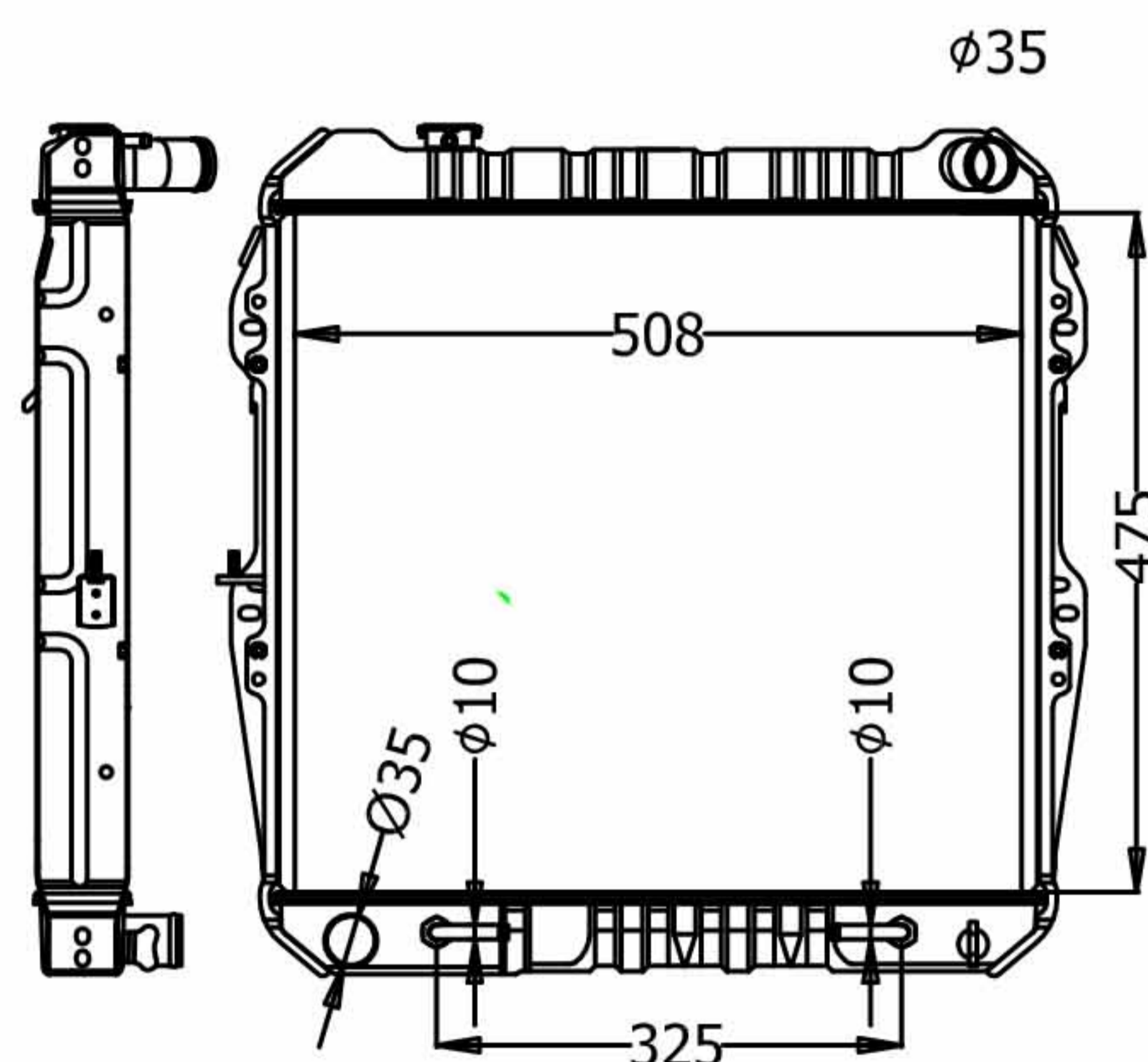
CARTYPE: HILUX(海拉克斯) AT  
 CORE SIZE: BC 450x508x49 TANK SIZE: 535\*65  
 CARTON:  
 OEM:  
 DPI:

TO-12045



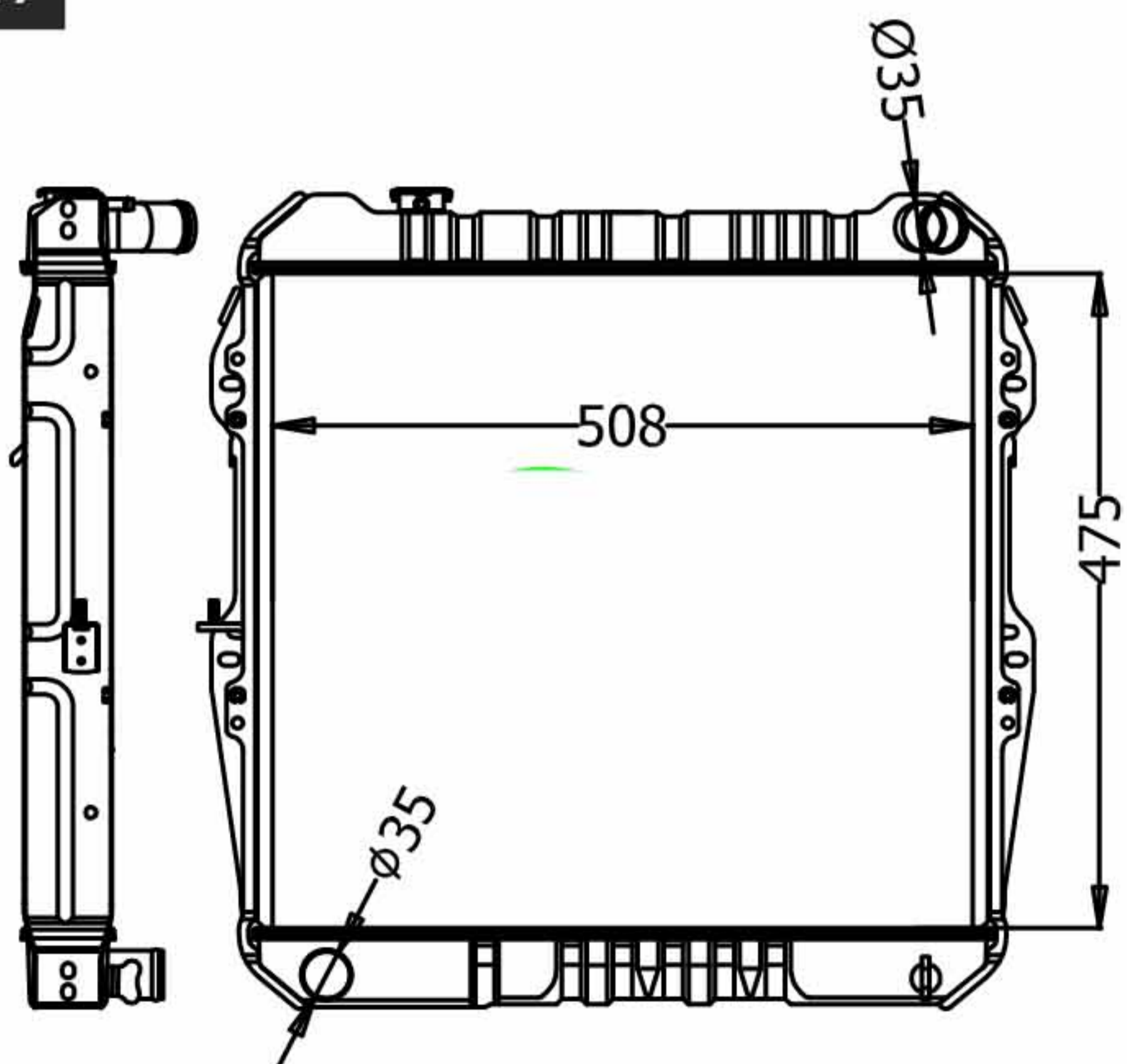
CARTYPE: HILUX(海拉克斯LN85) MT  
 CORE SIZE: BC 450x508x49 TANK SIZE: 535\*65  
 CARTON:  
 OEM:  
 DPI:

TO-12046



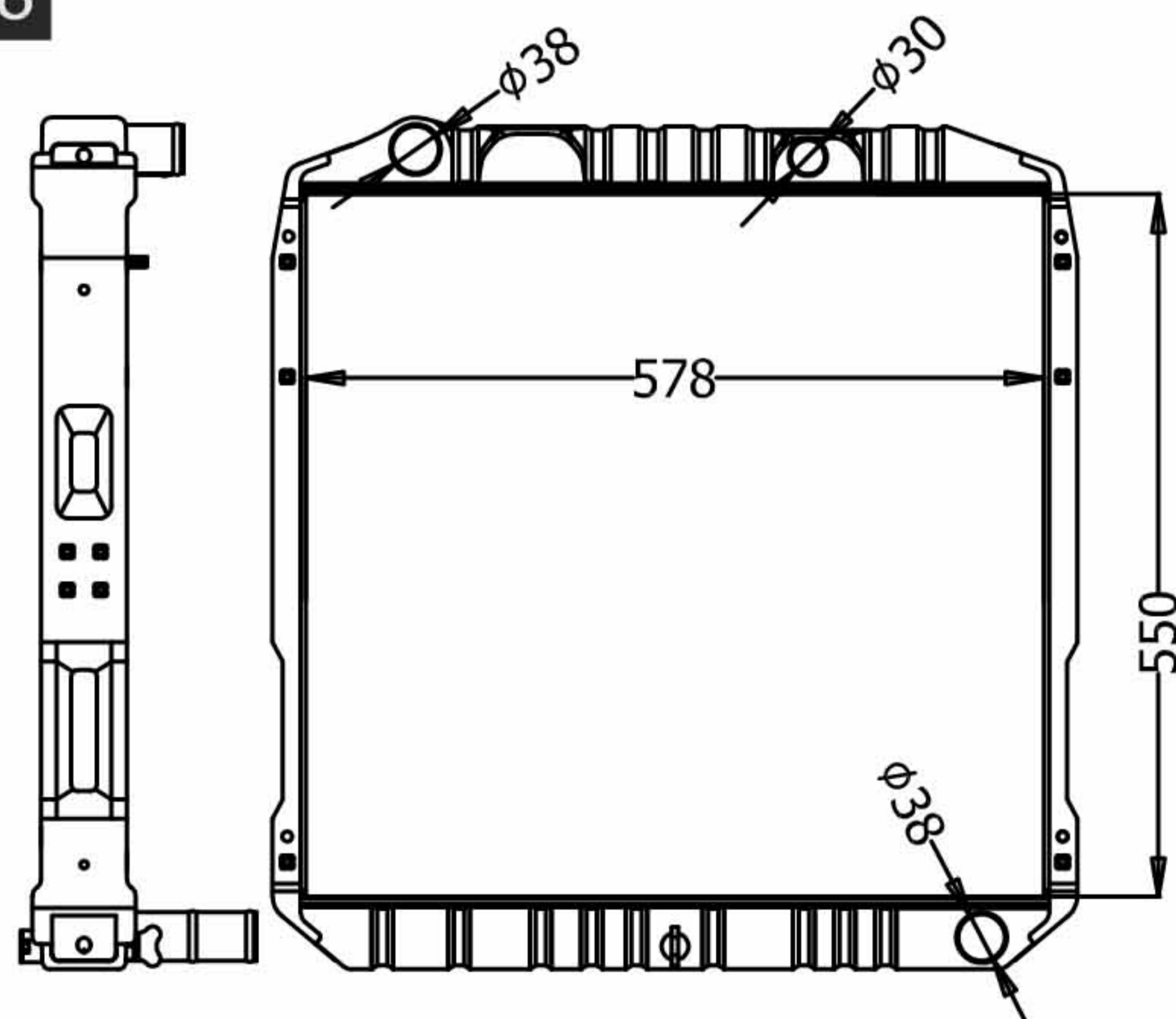
CARTYPE: HILUX(海拉克斯3.0 VZN130) AT  
 CORE SIZE: BC 475x508x49 TANK SIZE: 535\*65  
 CARTON: 630\*615\*150  
 OEM:  
 DPI:

TO-12047



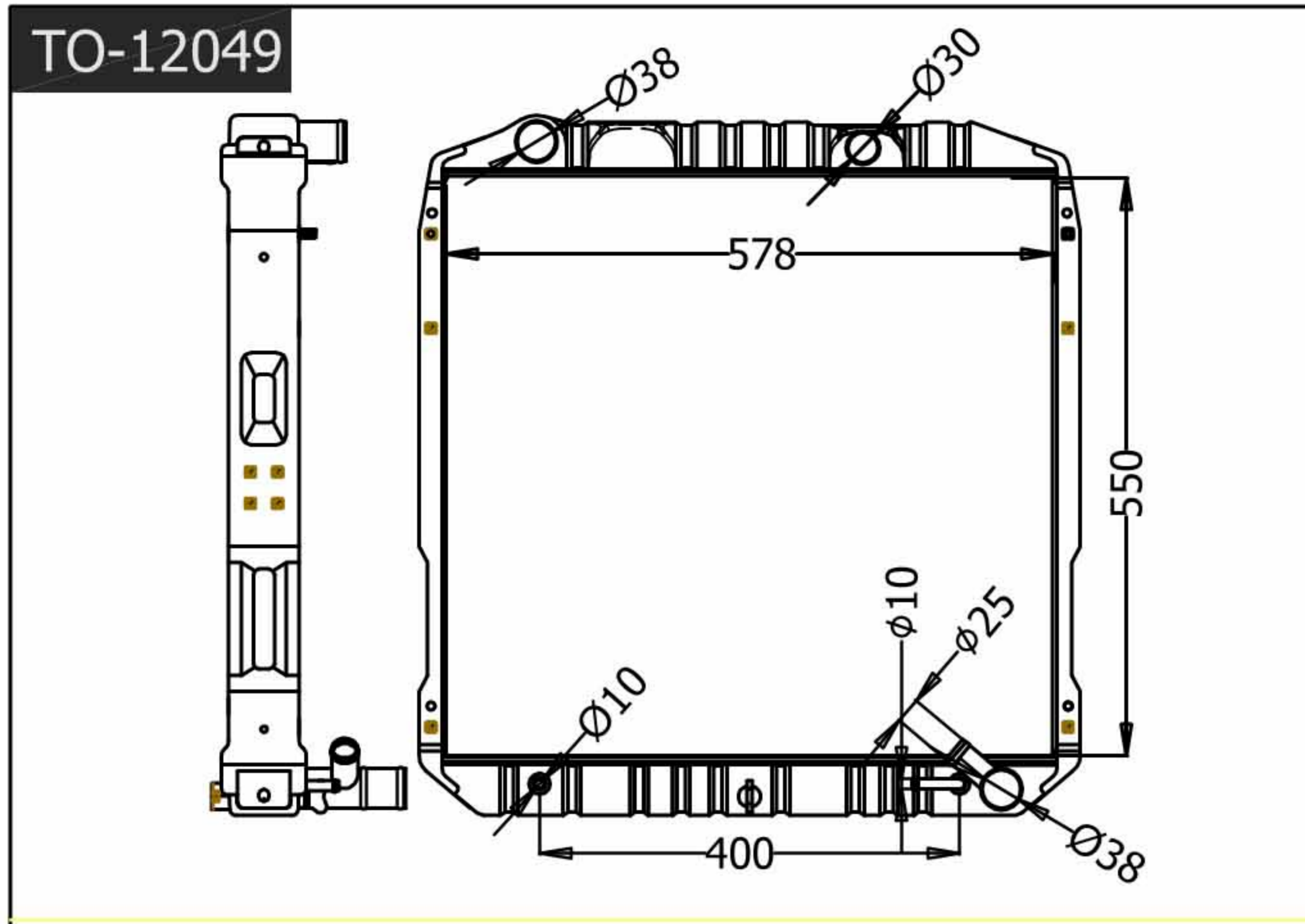
CARTYPE: HILUX(海拉克斯3.0 VZN130) MT  
 CORE SIZE: BC 475x508x49 TANK SIZE: 535\*65  
 CARTON: 630\*615\*150  
 OEM:  
 DPI:

TO-12048

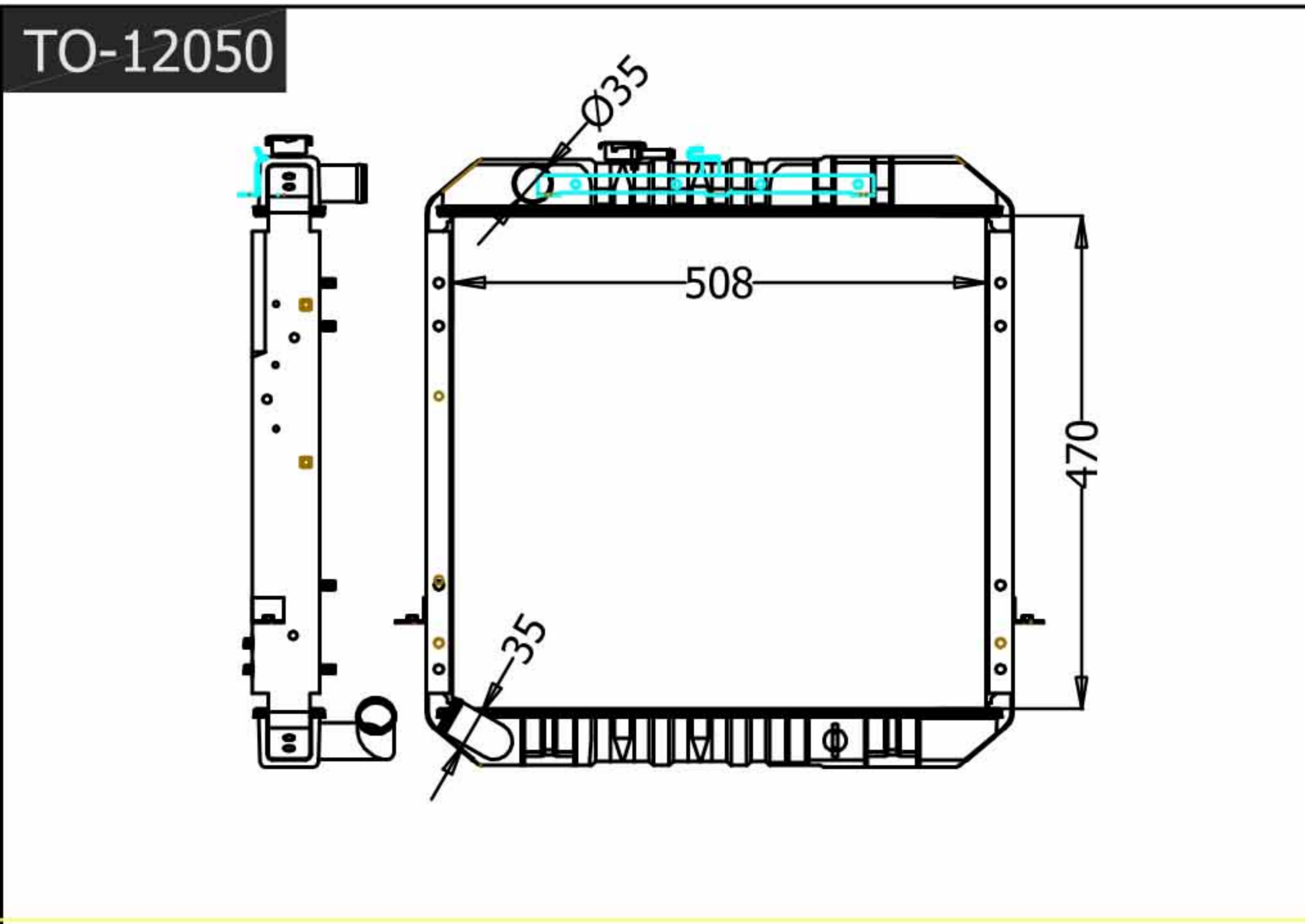


CARTYPE: COASTER(改装丰田中巴1#) MT  
 CORE SIZE: BC 550x578x49 TANK SIZE: 600\*74  
 CARTON:  
 OEM:  
 DPI:

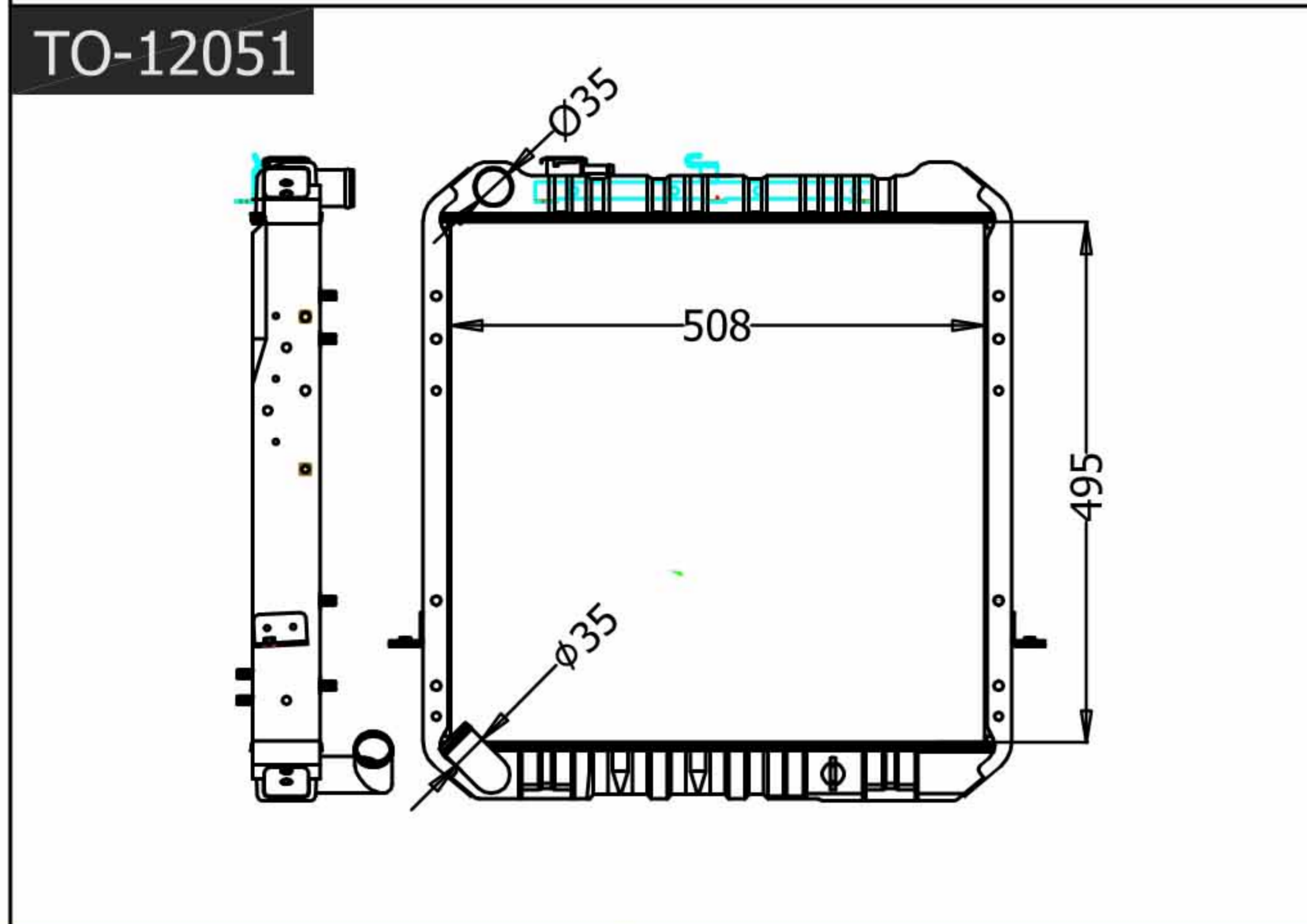
# TOYOTA



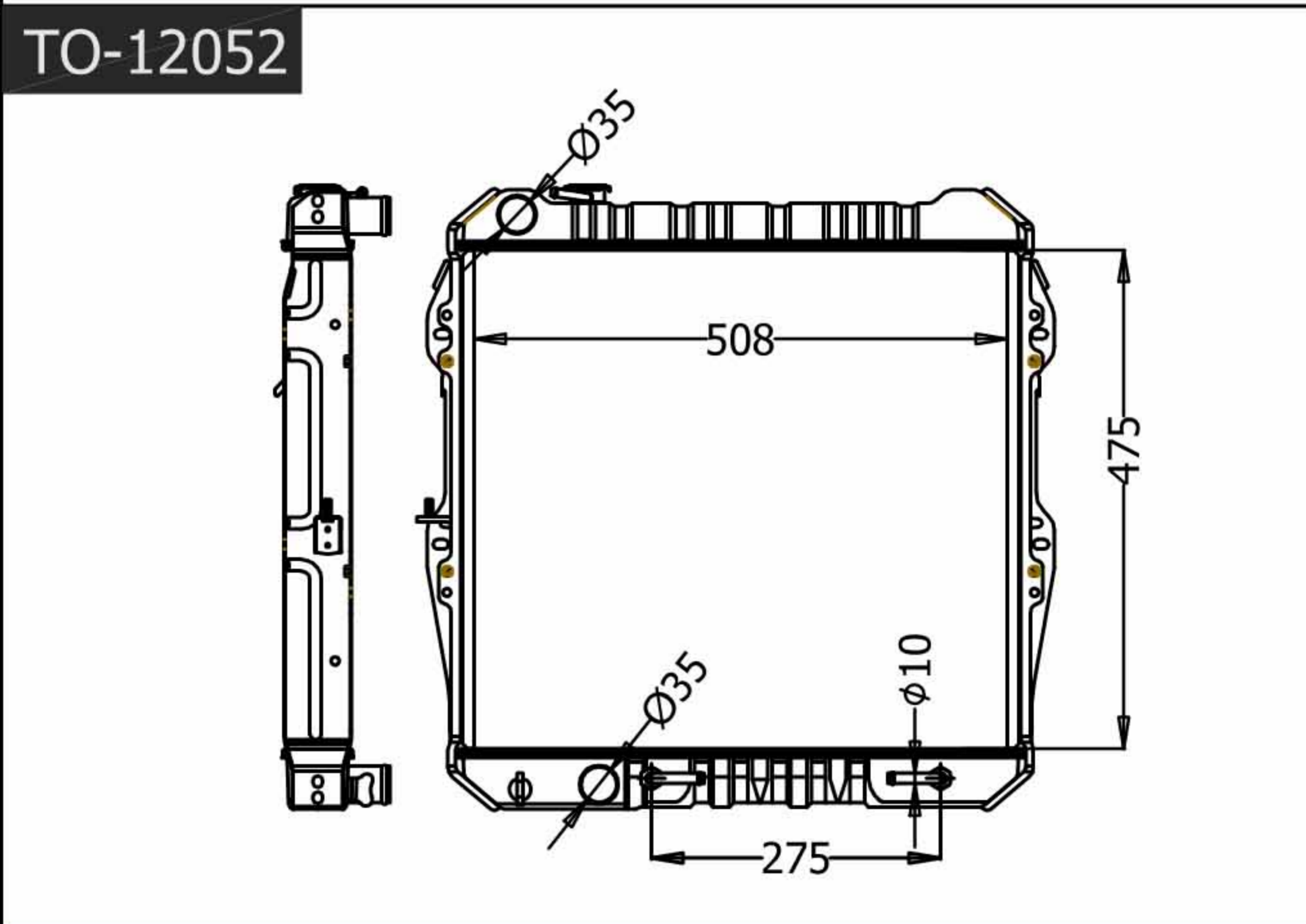
**TO-12049**  
 CARTYPE: COASTER(改装丰田中巴2#) AT  
 CORE SIZE: BC 550x578x49 TANK SIZE: 600\*74  
 CARTON:  
 OEM:  
 DPI:



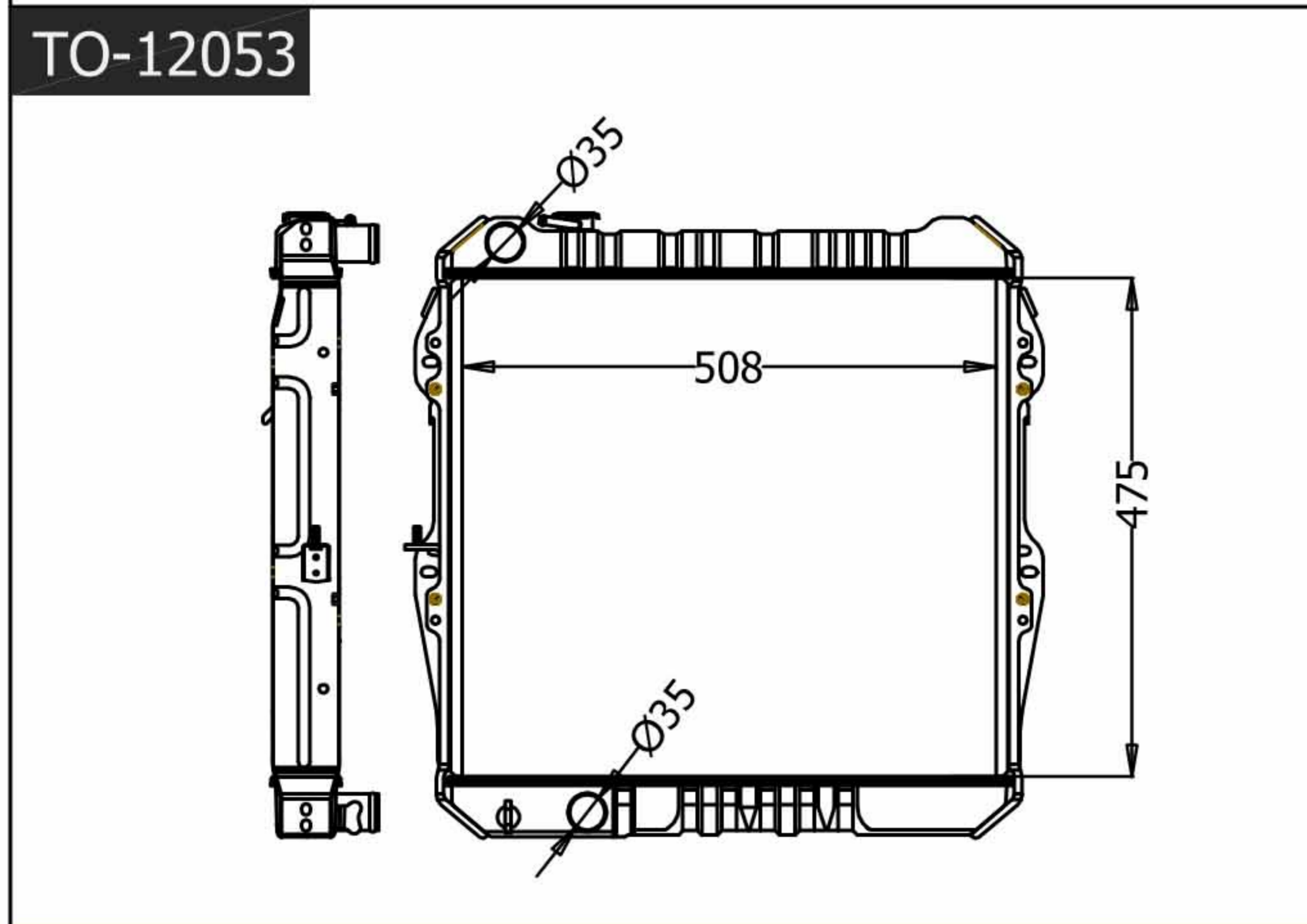
**TO-12050**  
 CARTYPE: TOYOTA DYNAI(丰田五十铃) MT  
 CORE SIZE: BC 470x508x49/32 TANK SIZE: 535\*65  
 CARTON:  
 OEM: 16400-54700/54690  
 DPI:



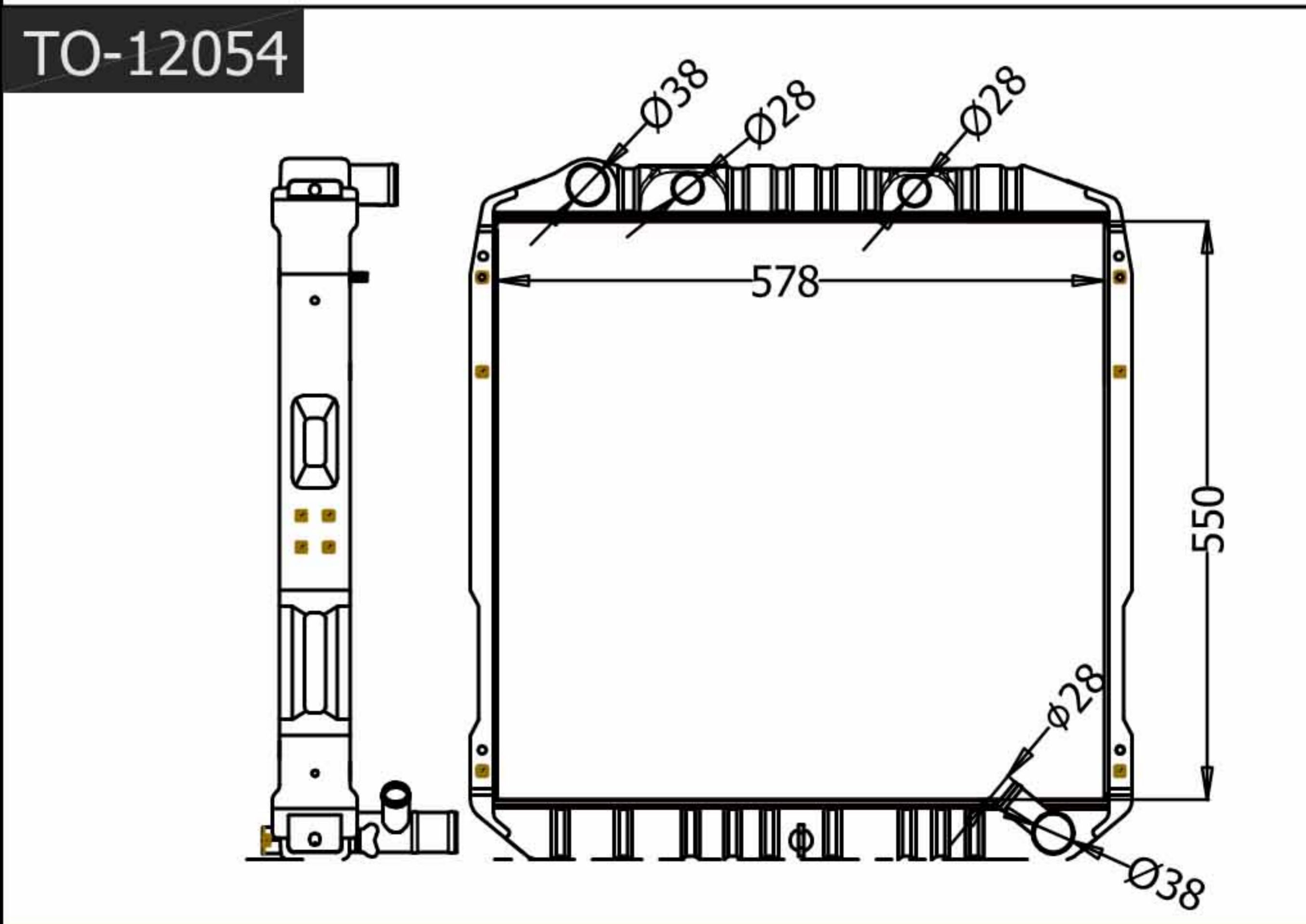
**TO-12051**  
 CARTYPE: TOYOTA DYNAI(丰田五十铃) MT  
 CORE SIZE: BC 495x508x49 TANK SIZE: 535\*65  
 CARTON:  
 OEM:  
 DPI:



**TO-12052**  
 CARTYPE: HILUX(海拉克斯) AT  
 CORE SIZE: BC 475x508x49 TANK SIZE: 535\*65  
 CARTON:  
 OEM:  
 DPI:



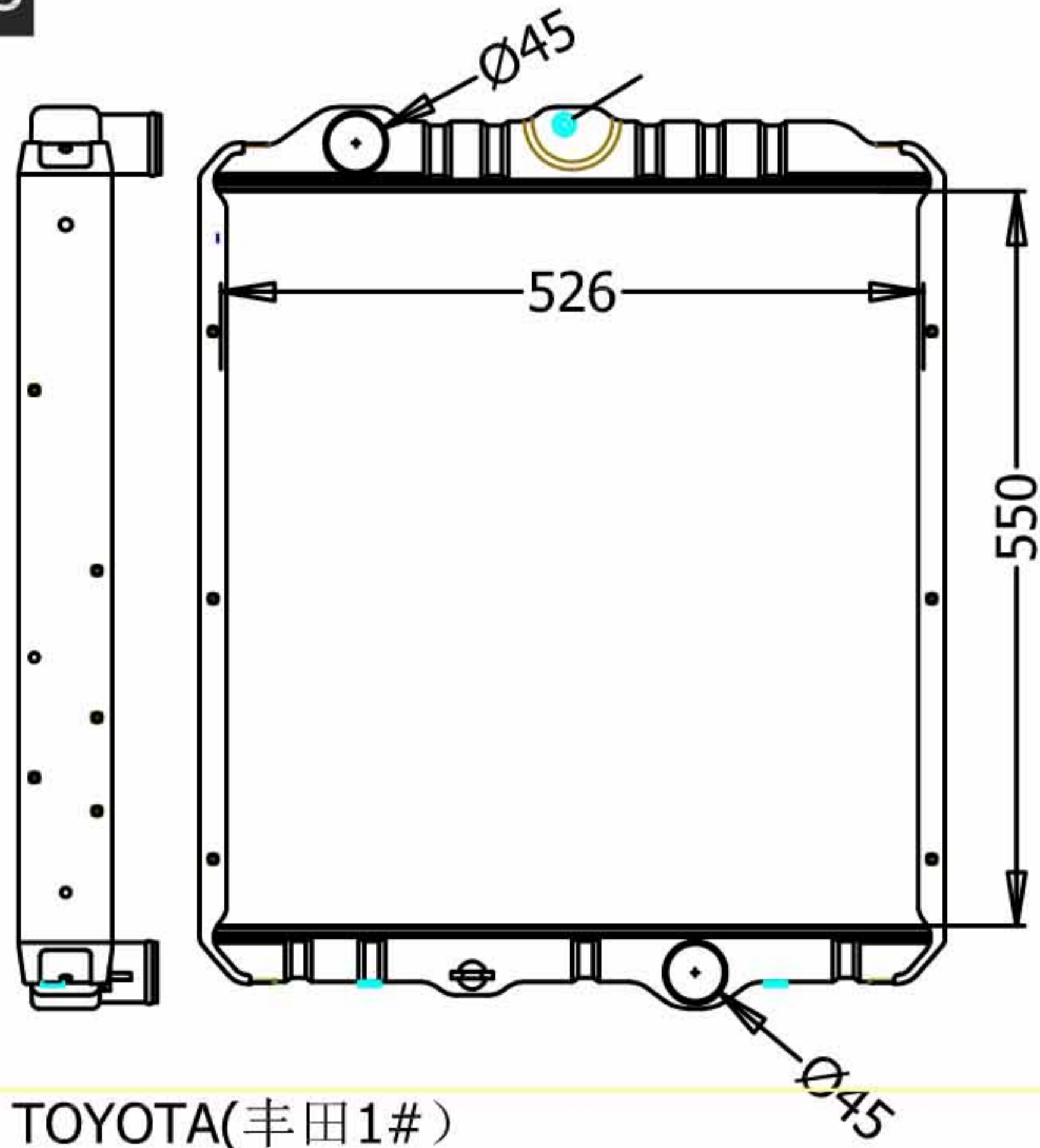
**TO-12053**  
 CARTYPE: HILUX(海拉克斯) MT  
 CORE SIZE: BC 475x508x49 TANK SIZE: 535\*65  
 CARTON:  
 OEM:  
 DPI:



**TO-12054**  
 CARTYPE: COASTER(丰田小巴H2B40-50) MT  
 CORE SIZE: BC 550x578x49 TANK SIZE: 600\*74  
 CARTON:  
 OEM:  
 DPI:

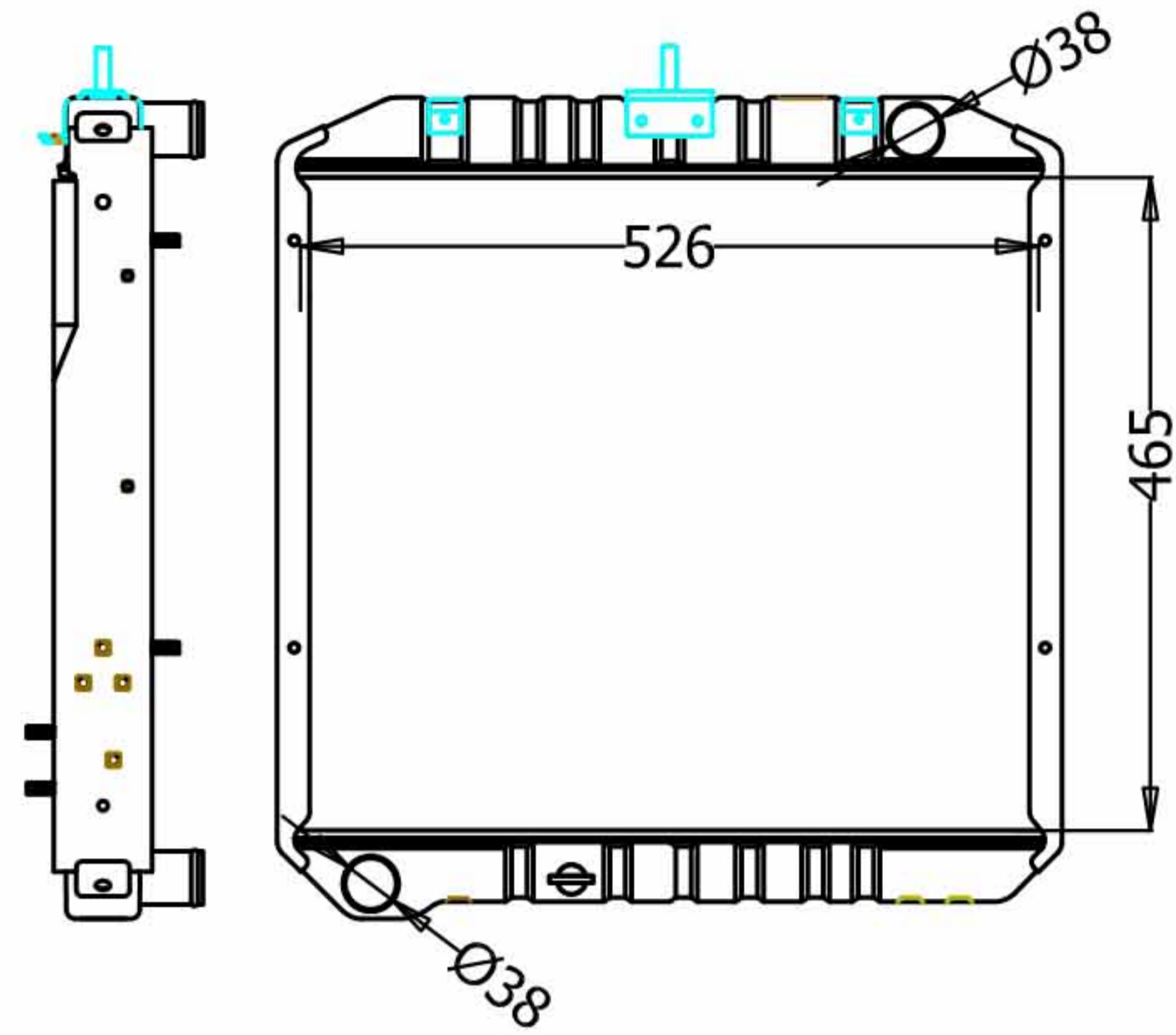
# TOYOTA

TO-12055



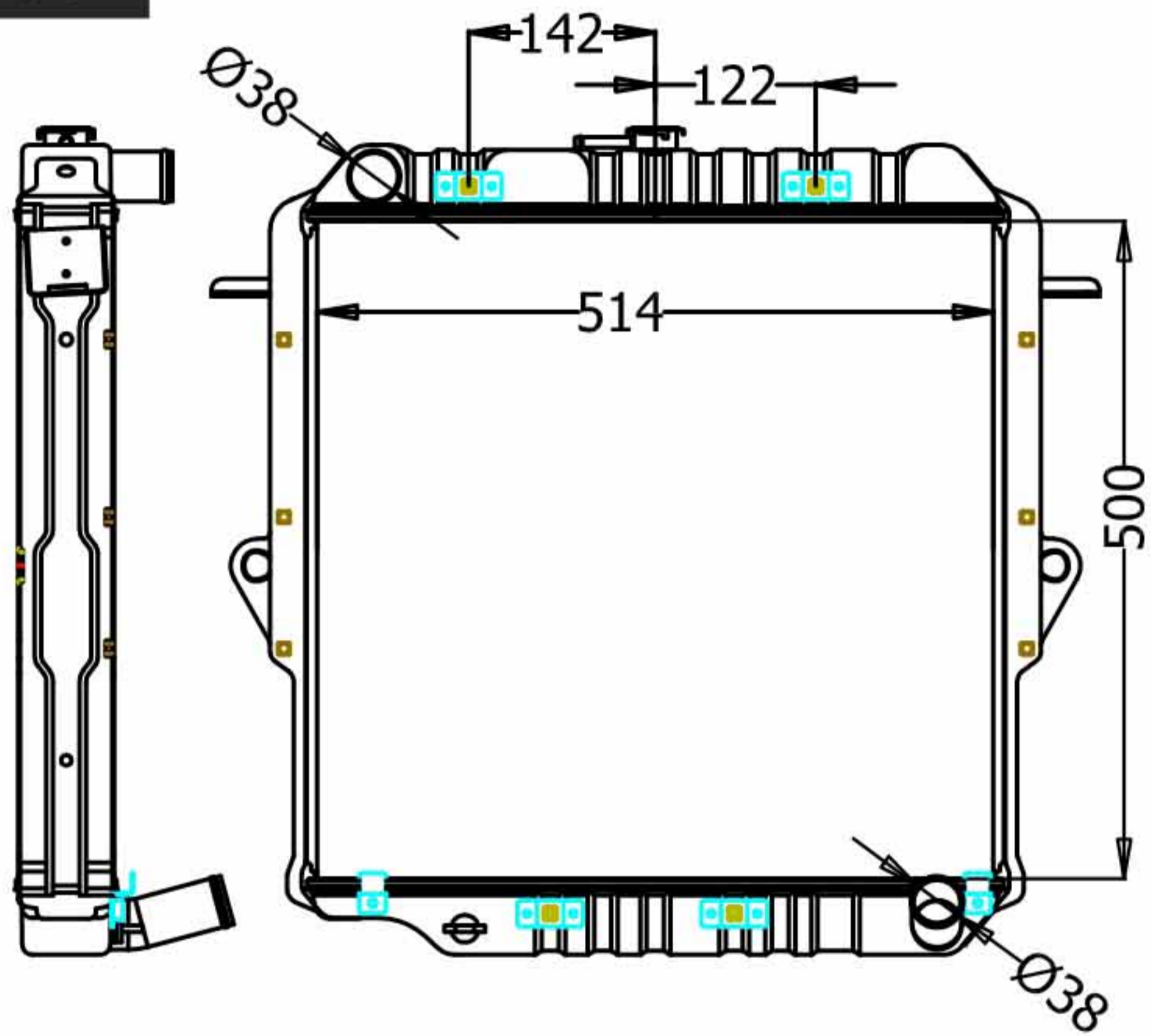
CARTYPE: TOYOTA(丰田1#)  
 CORE SIZE: BC 550x526x49 TANK SIZE:  
 CARTON:  
 OEM:MC127008  
 DPI:

TO-12056



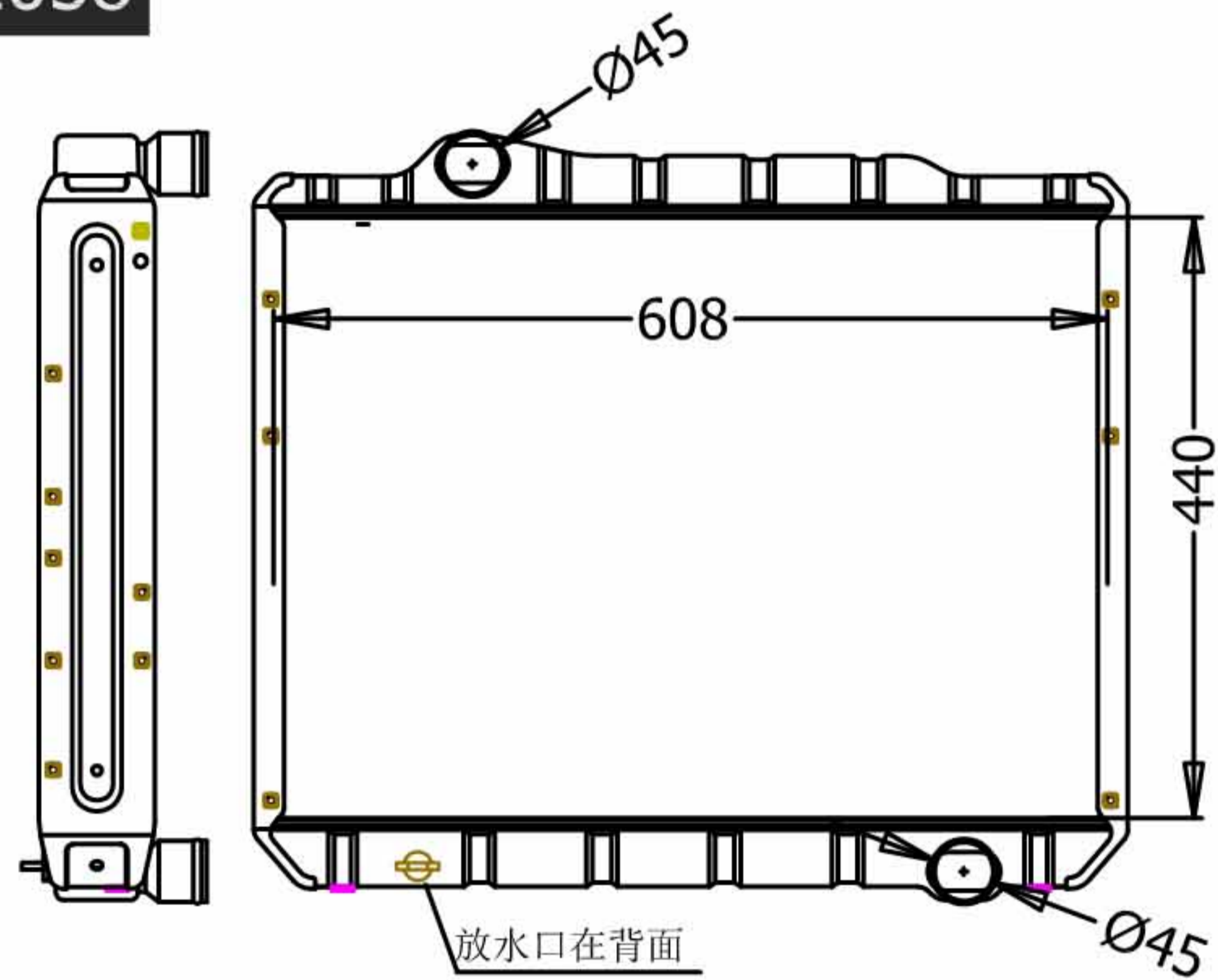
CARTYPE: BU89 3B BU84 11B DYNA250 BU65 88-92(丰田)MT  
 CORE SIZE: BC 465x526x49 TANK SIZE:550\*60  
 CARTON:  
 OEM: 16400-56160/56190/58090  
 DPI:

TO-12057



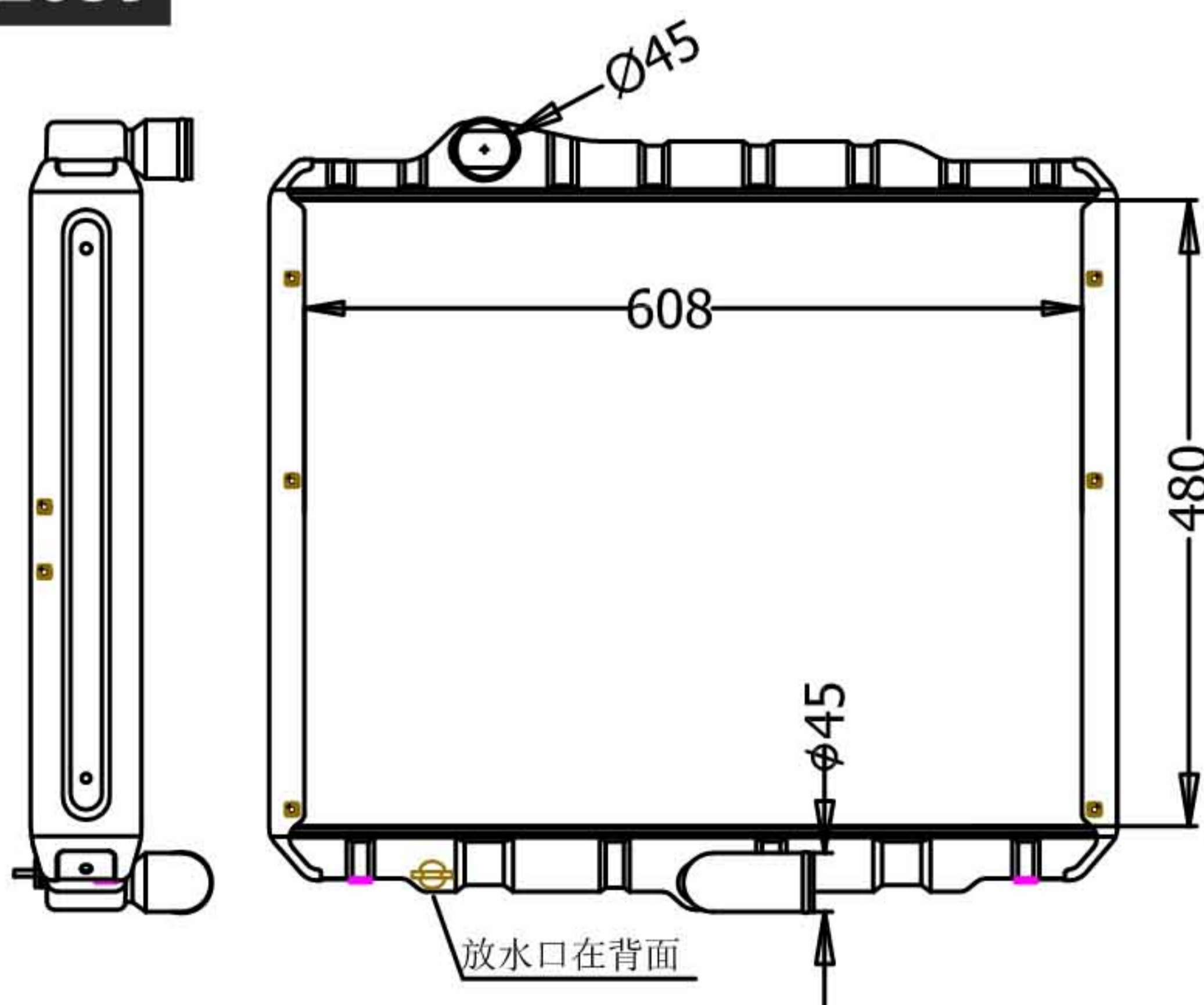
CARTYPE: TOYOTA(丰田HZJ75) MT  
 CORE SIZE: BC 500x514x64 TANK SIZE:528\*76  
 CARTON: 780\*670\*170  
 OEM: 16400-79080  
 DPI:

TO-12058



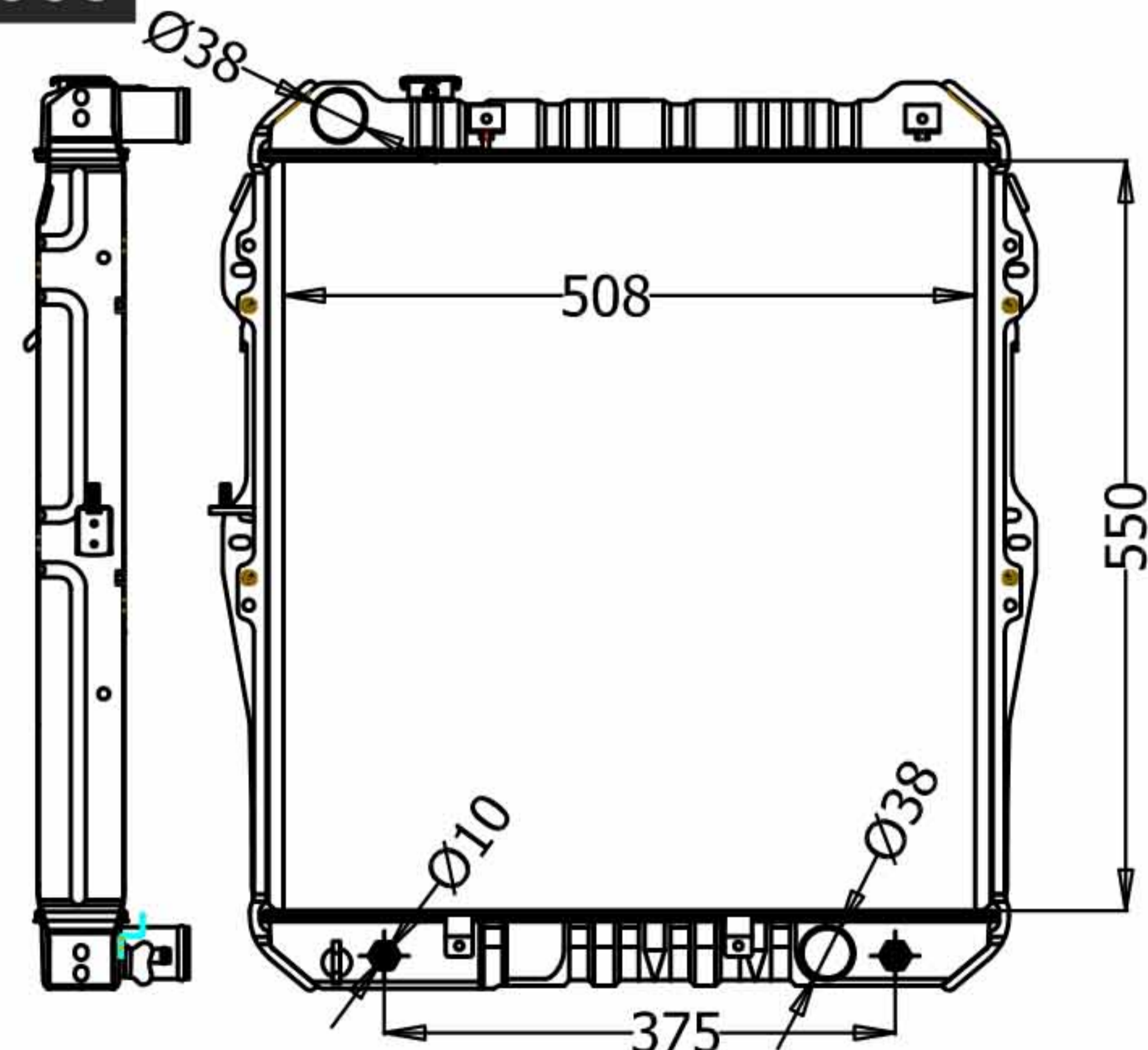
CARTYPE: COASTER(丰田小巴)  
 CORE SIZE: BC 440x608x49 TANK SIZE:  
 CARTON:  
 OEM: MC189009  
 DPI:

TO-12059



CARTYPE: COASTER(丰田小巴)  
 CORE SIZE: BC 480x608x49 TANK SIZE:630\*69  
 CARTON:  
 OEM: MK522889  
 DPI:

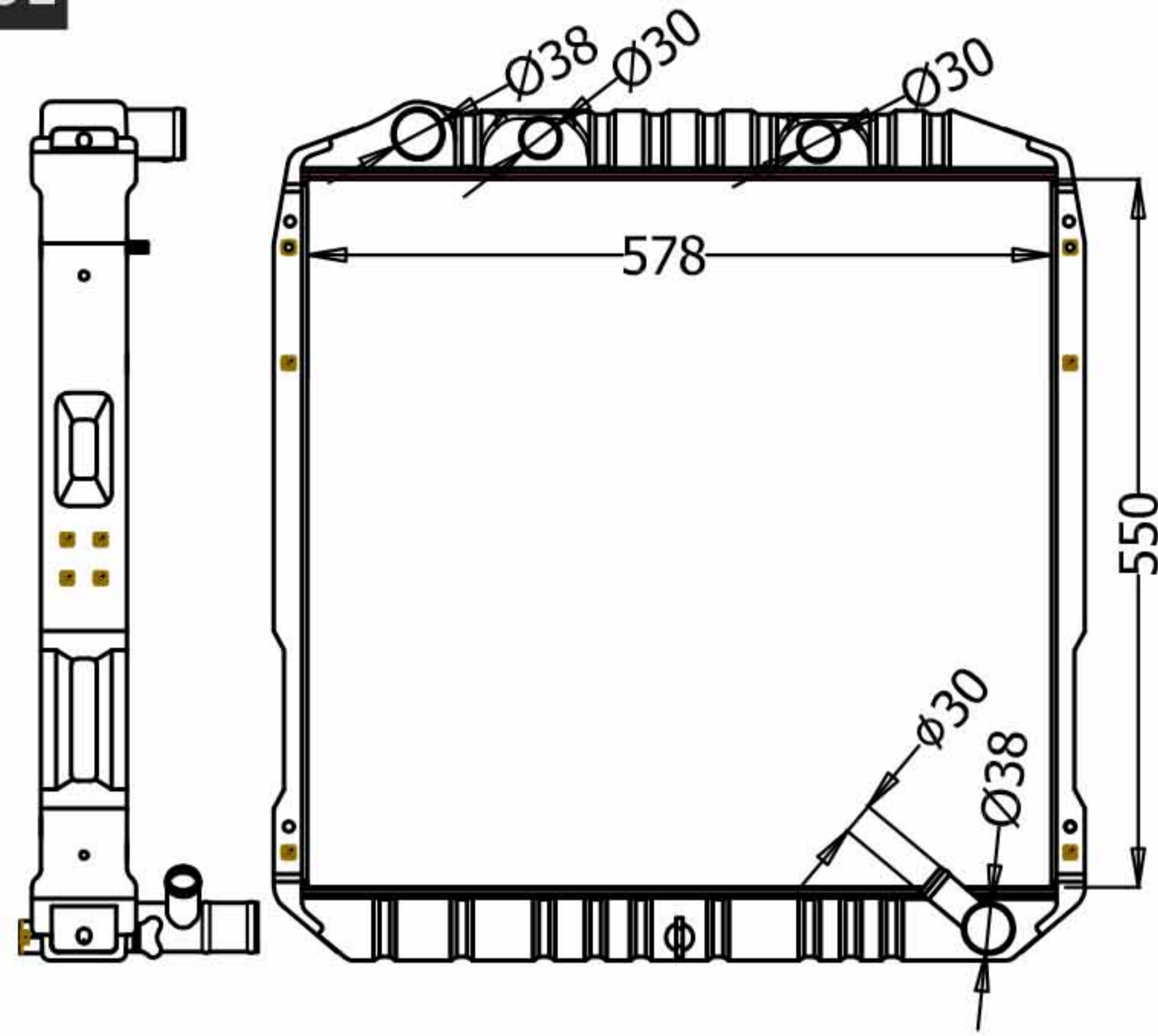
TO-12060



CARTYPE: HILUX(海拉克斯X4-98) AT  
 CORE SIZE: BC 550x508x49 TANK SIZE: 535\*65  
 CARTON: 635\*615\*150  
 OEM:  
 DPI:

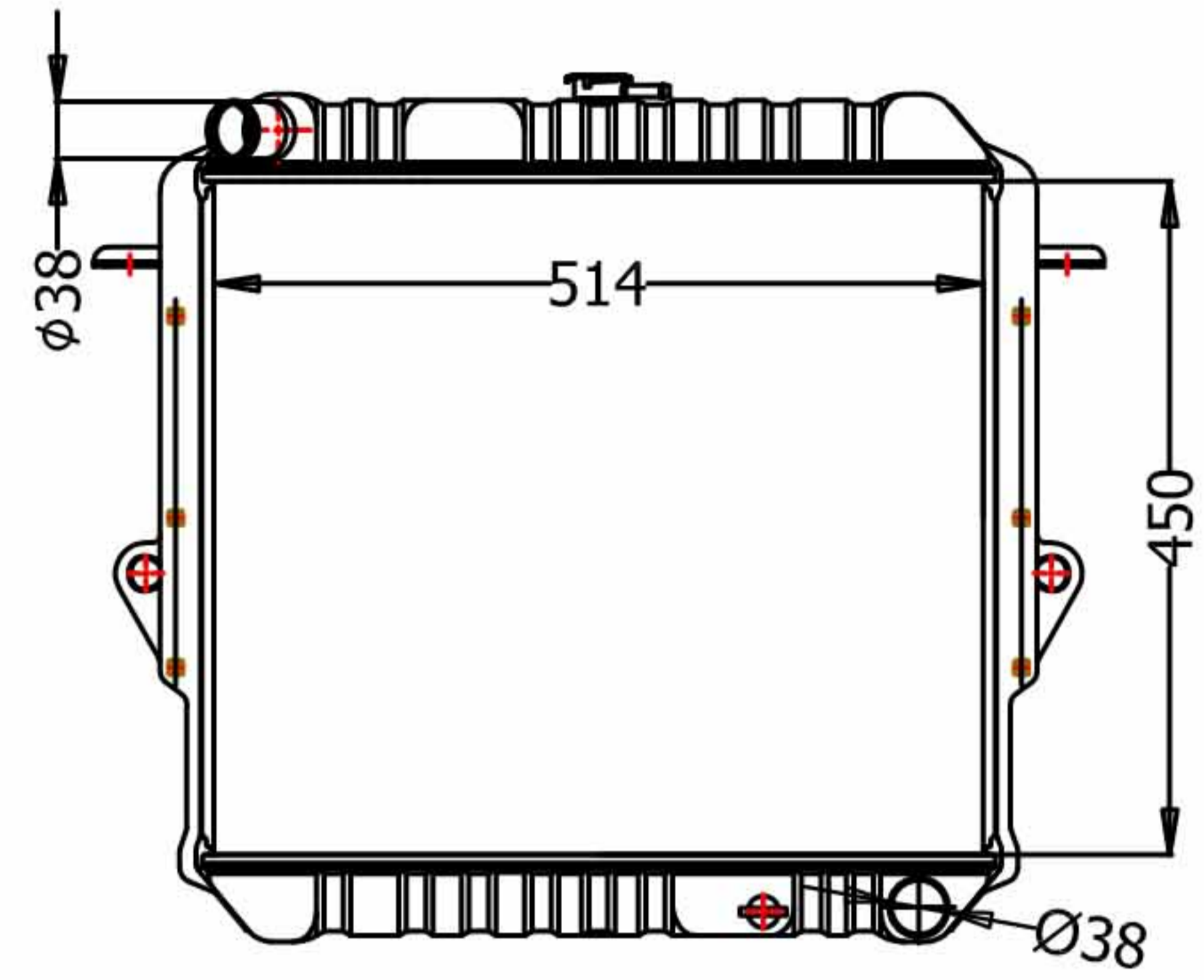
# TOYOTA

TO-12061



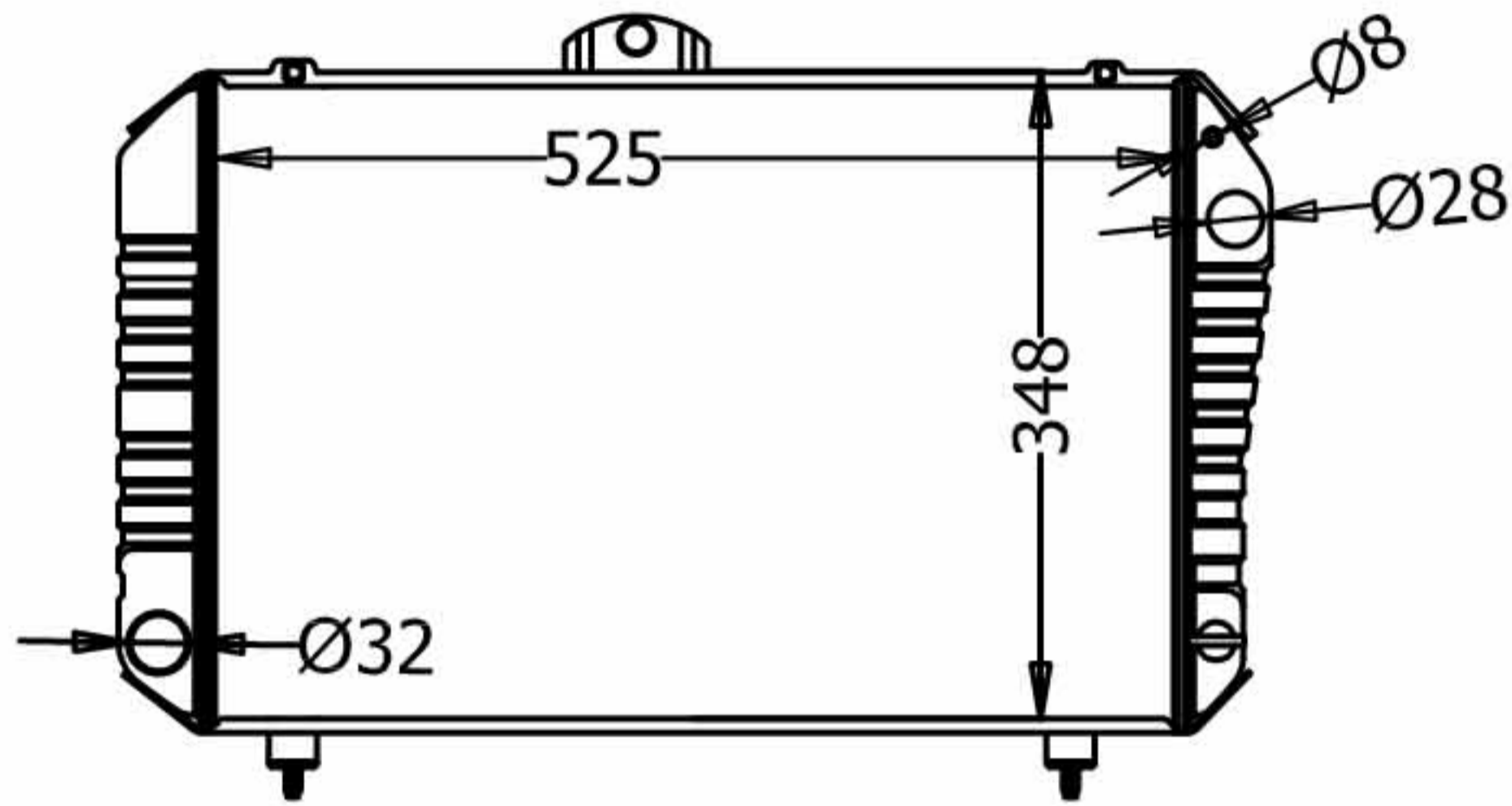
CARTYPE: COASTER(改装丰田中巴 MT (国内版)  
 CORE SIZE: BC 550x578x49 TANK SIZE:600\*74  
 CARTON:  
 OEM:  
 DPI:

TO-12062



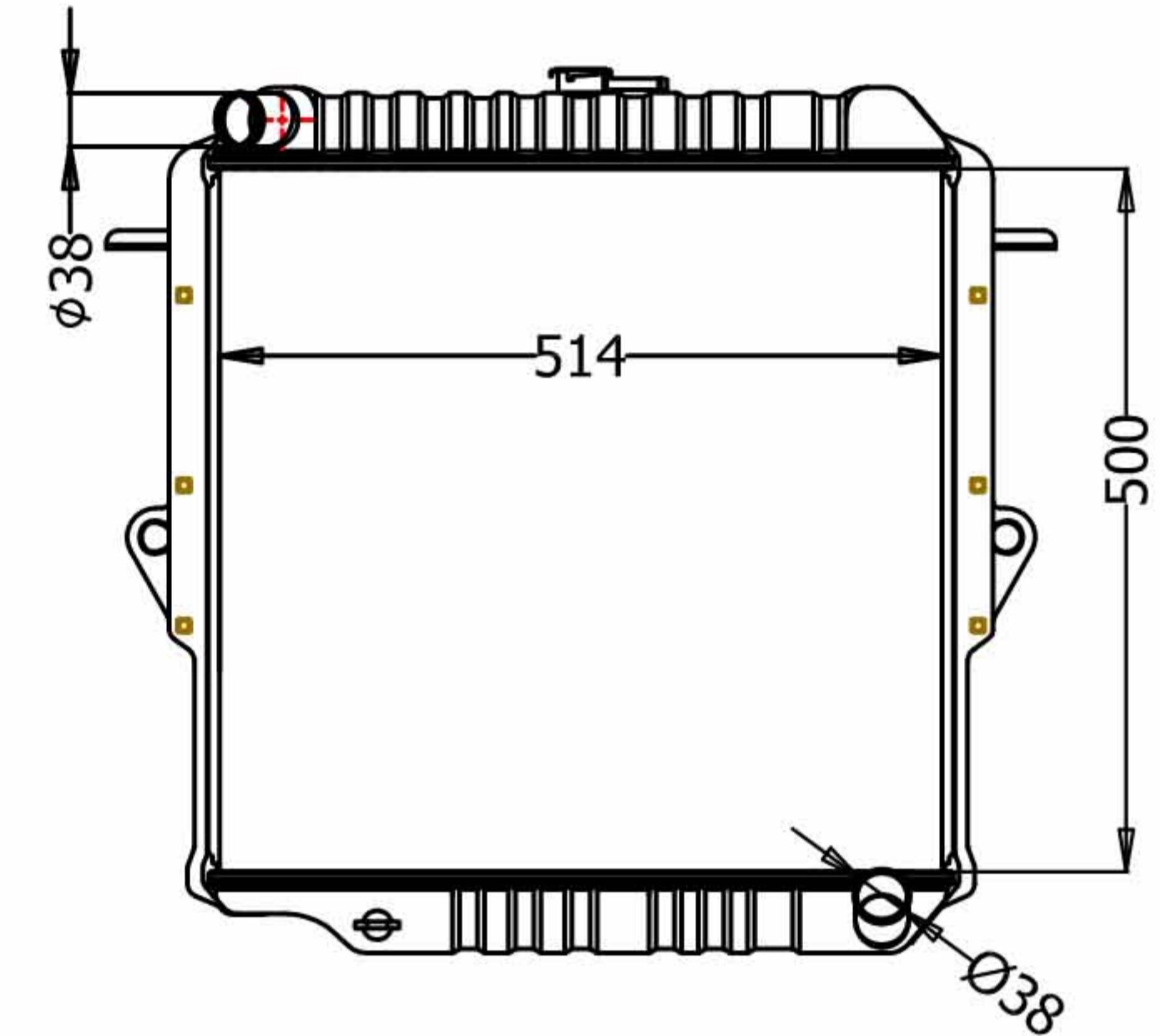
CARTYPE: TOYOTA FJ70 MT  
 CORE SIZE: BC 450\*514\*64 TANK SIZE: 528\*74  
 CARTON: 780\*670\*170  
 OEM: 16400-61070  
 DPI:

TO-12063



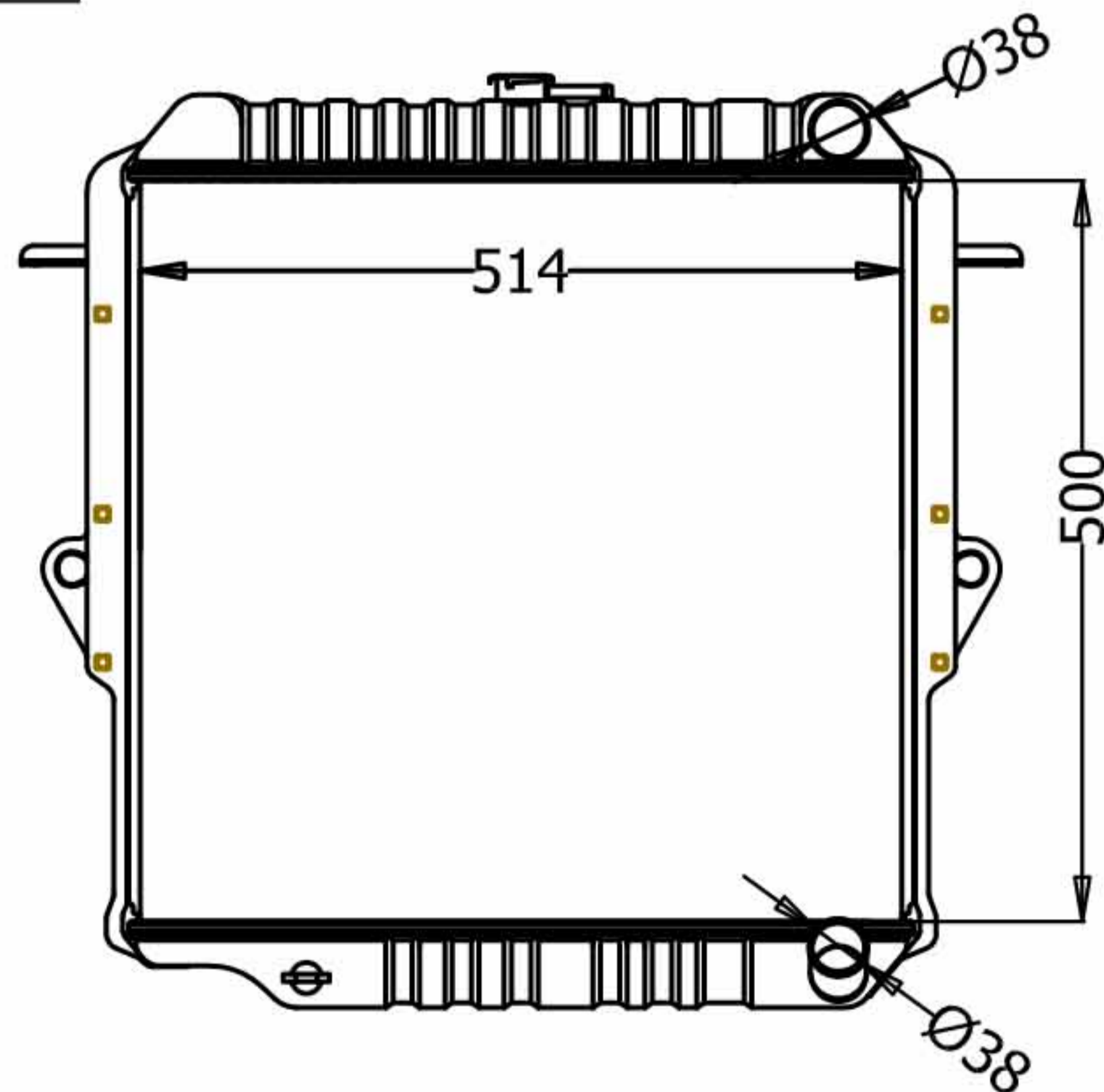
CARTYPE: TOWNACE LITEACE MT  
 CORE SIZE: BC 525\*348\*32 TANK SIZE: 355\*48  
 CARTON:  
 OEM:  
 DPI:

TO-12064



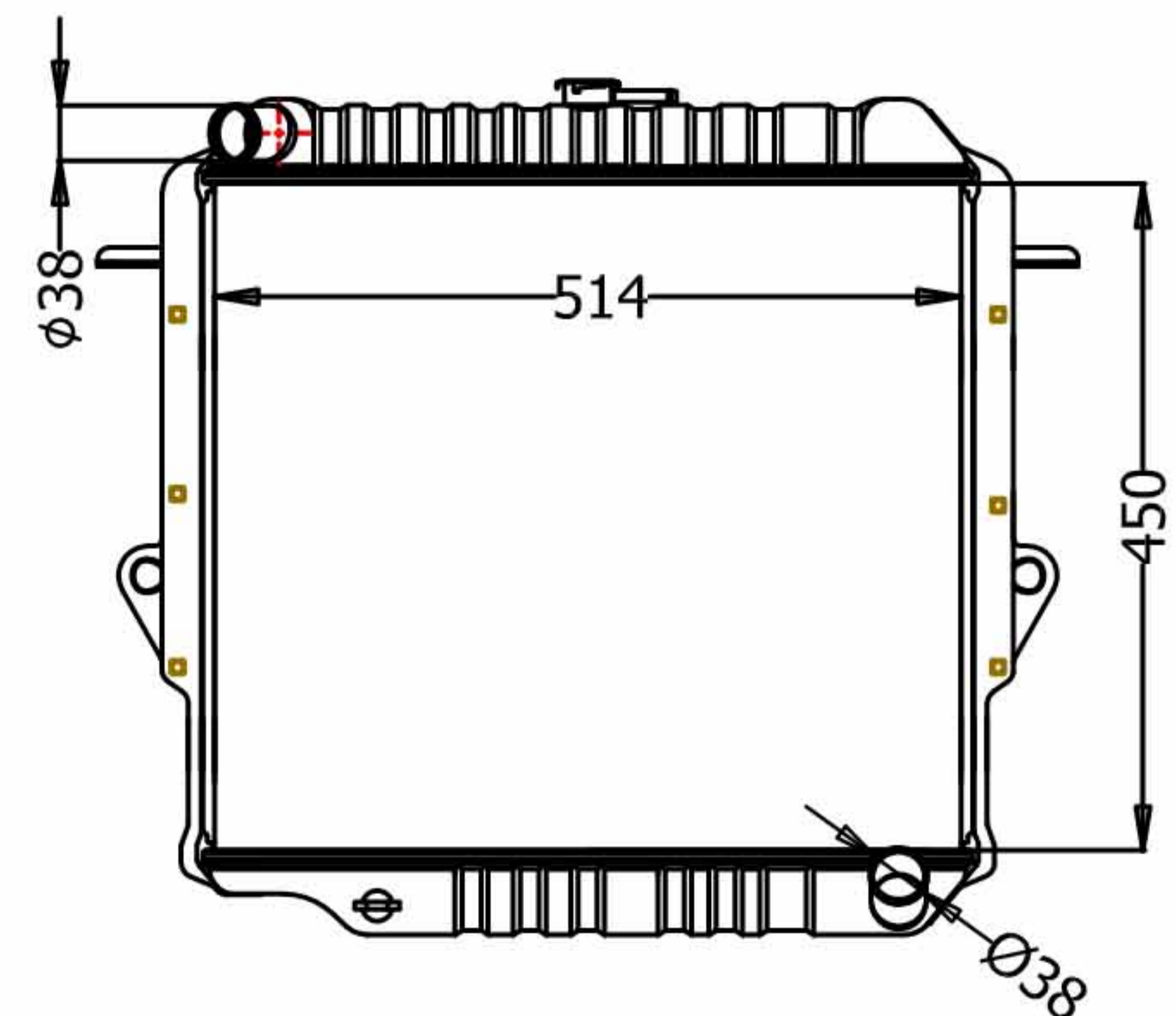
CARTYPE: TOYOTA LANG CRUISER FZJ 75 MT  
 CORE SIZE: BC 500x514x64 TANK SIZE: 528\*74  
 CARTON: 680\*670\*170  
 OEM:  
 DPI:

TO-12065



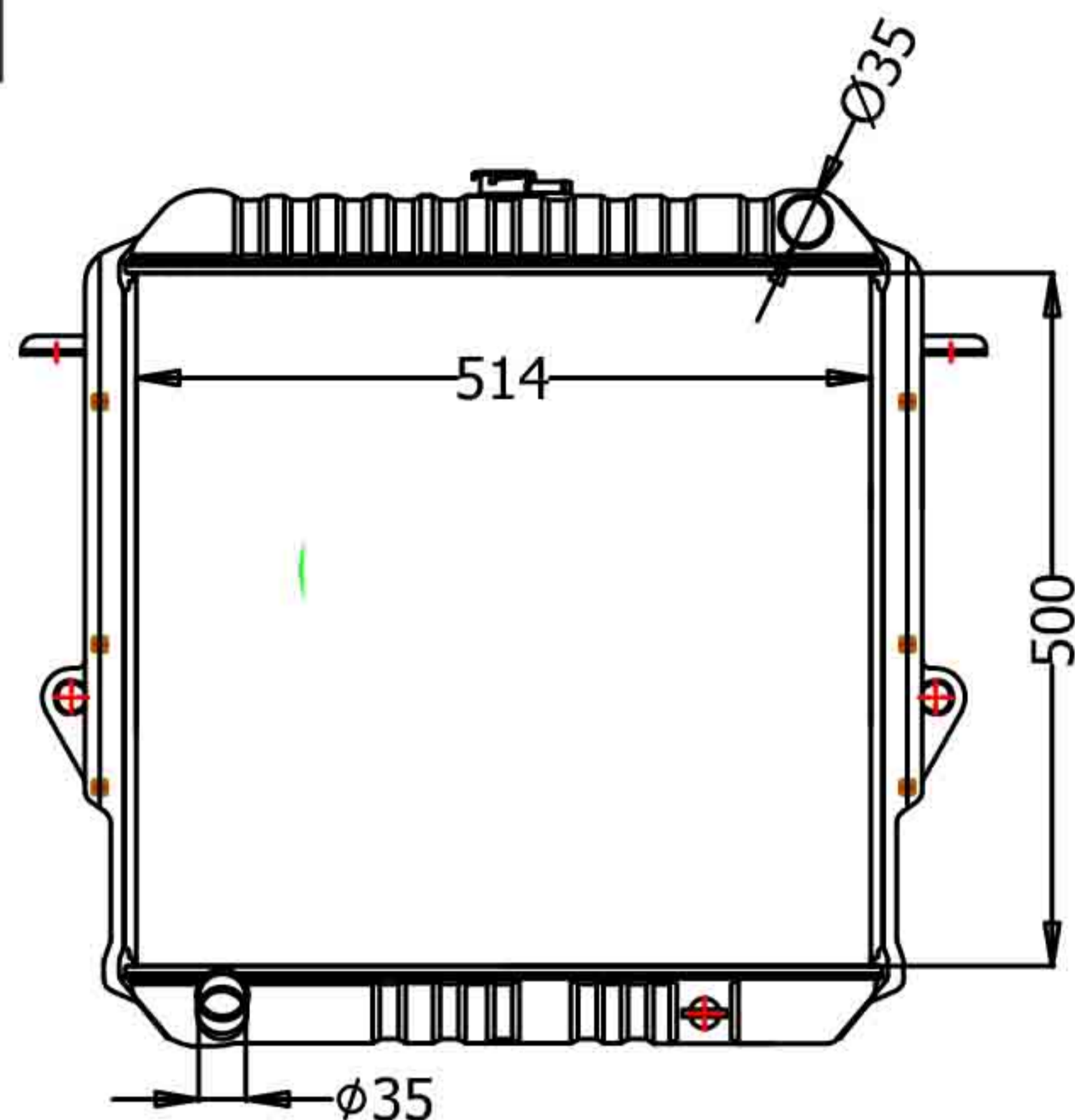
CARTYPE: TOYOTA LANG CRUISER FZJ75 MT  
 CORE SIZE: BC 500x514x64 TANK SIZE: 528\*74  
 CARTON: 680\*670\*170  
 OEM:  
 DPI:

TO-12066



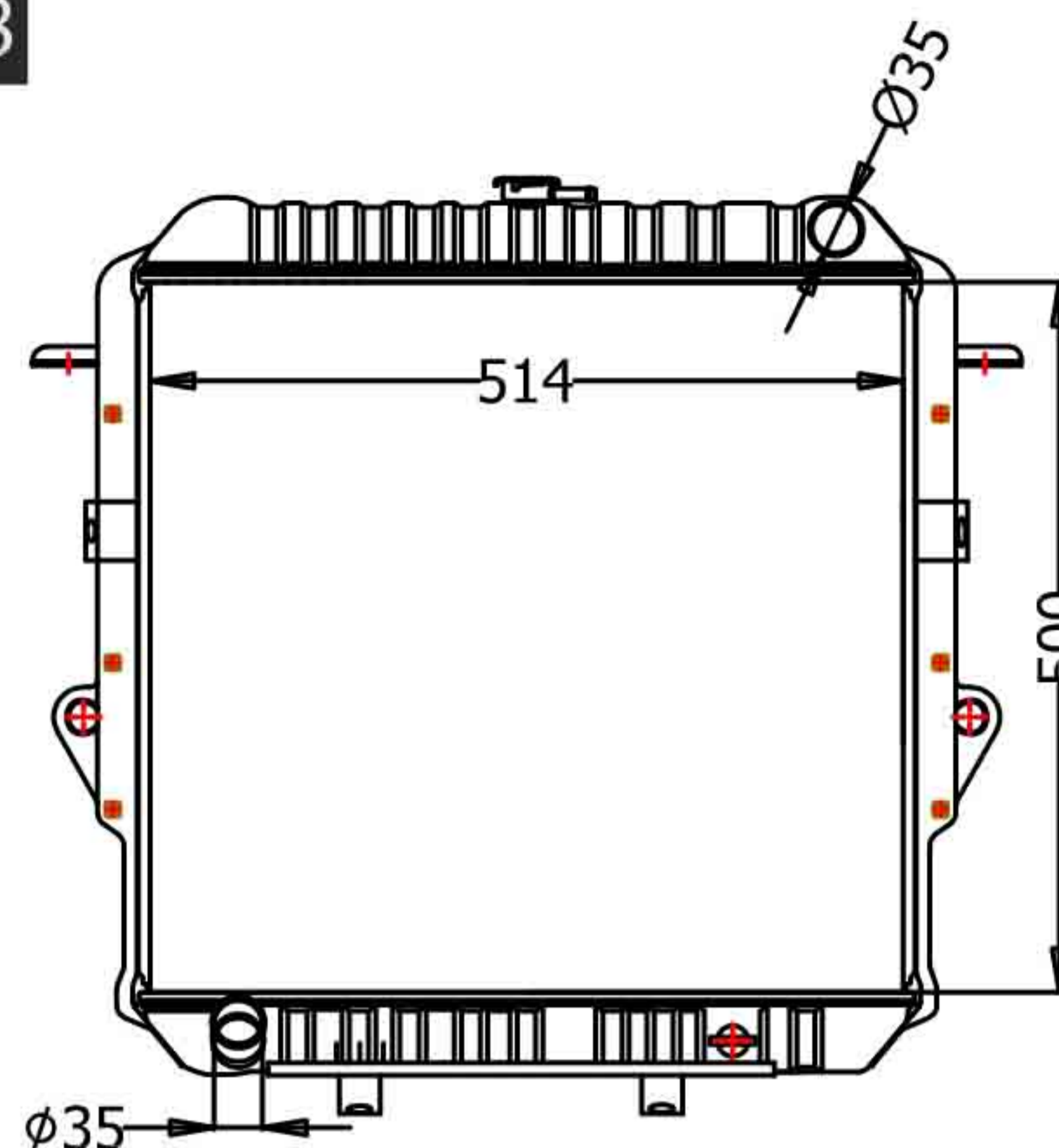
CARTYPE: TOYOTA LANG CRUISER FZJ 79 MT  
 CORE SIZE: BC 450\*514\*64 TANK SIZE: 528\*74  
 CARTON: 680\*670\*170  
 OEM:  
 DPI:

TO-12067



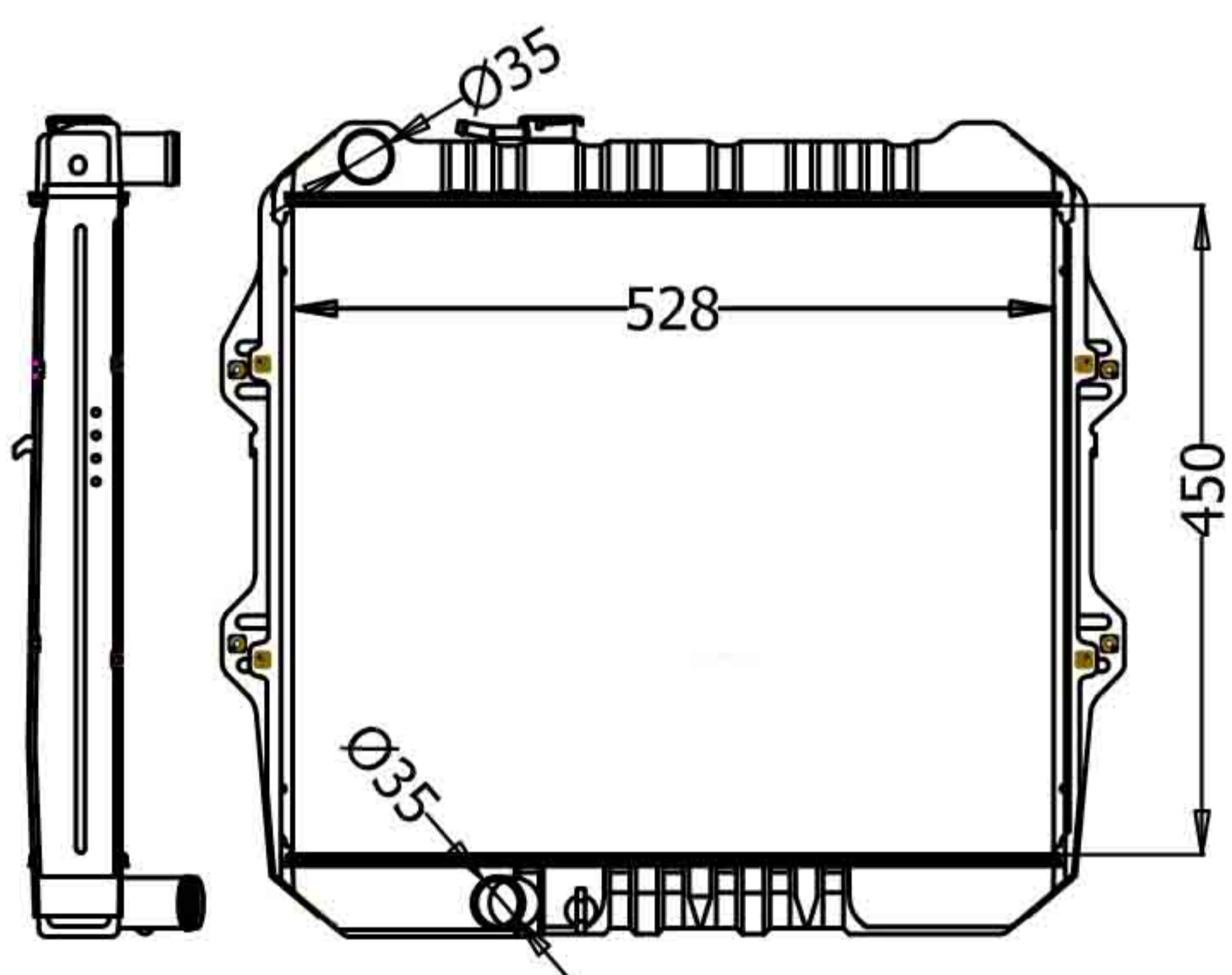
CARTYPE: LANG CRUISER MT  
 CORE SIZE: 500\*514\*66 TANK SIZE:528\*74  
 CARTON: 680\*670\*170  
 OEM:  
 DPI:

TO-12068



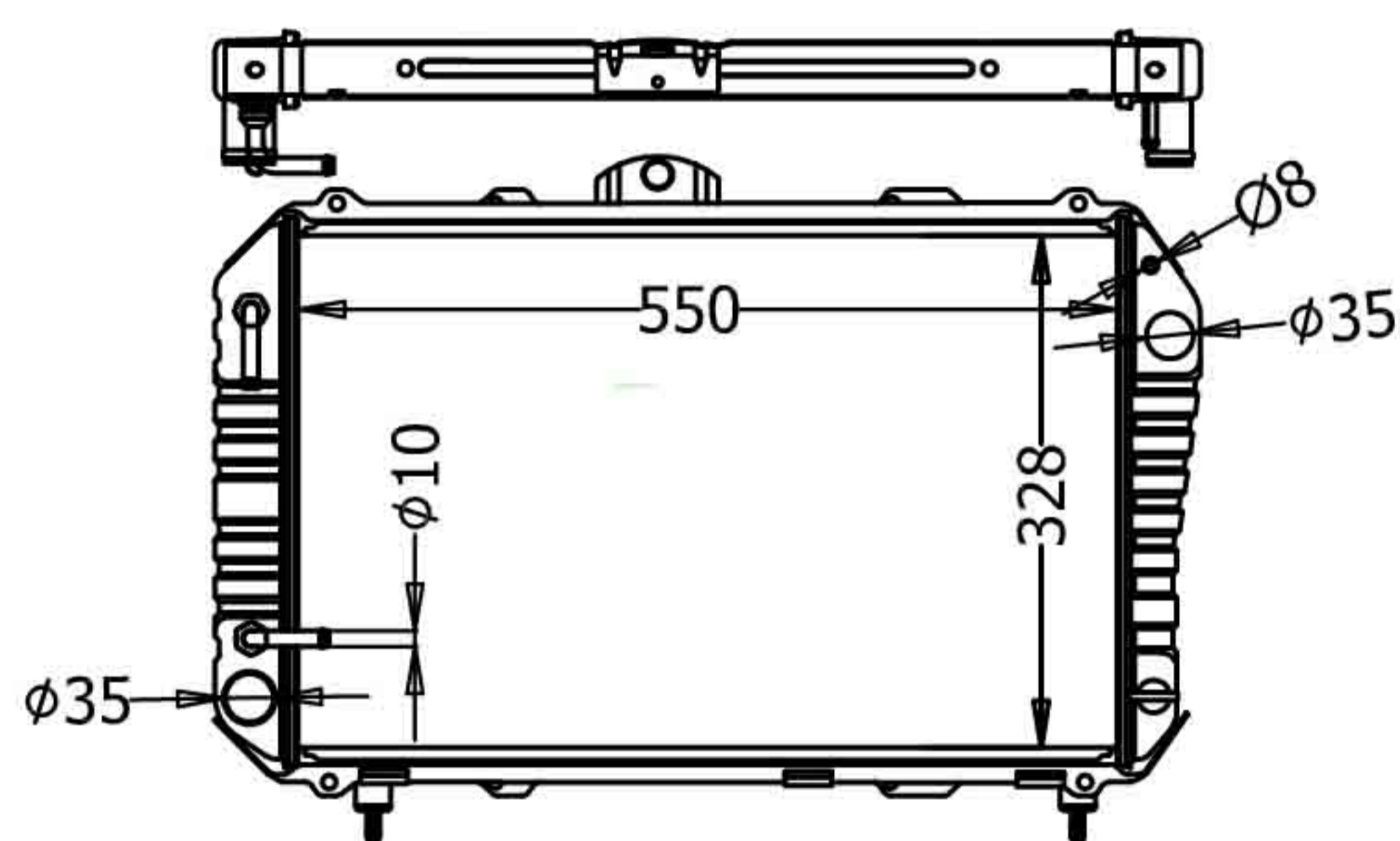
CARTYPE: LANG CRUISER MT  
 CORE SIZE: 500\*514\*66 TANK SIZE:528\*74  
 CARTON: 680\*670\*170  
 OEM:  
 DPI:

TO-12069



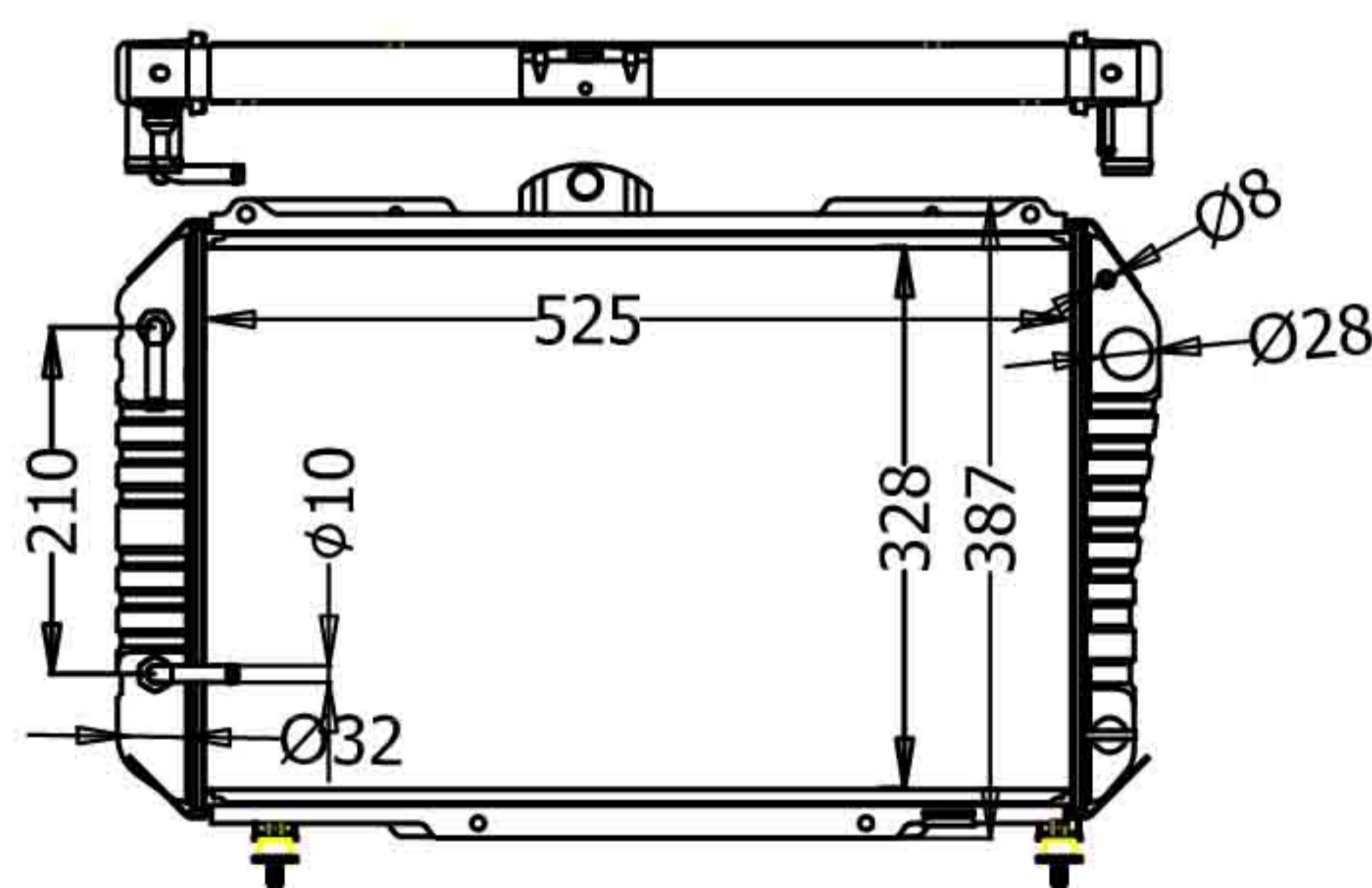
CARTYPE: HILUX(海拉克斯LN1470) MT  
 CORE SIZE: BC 450x528x32 TANK SIZE:535\*64  
 CARTON:  
 OEM:  
 DPI:

TO-12070



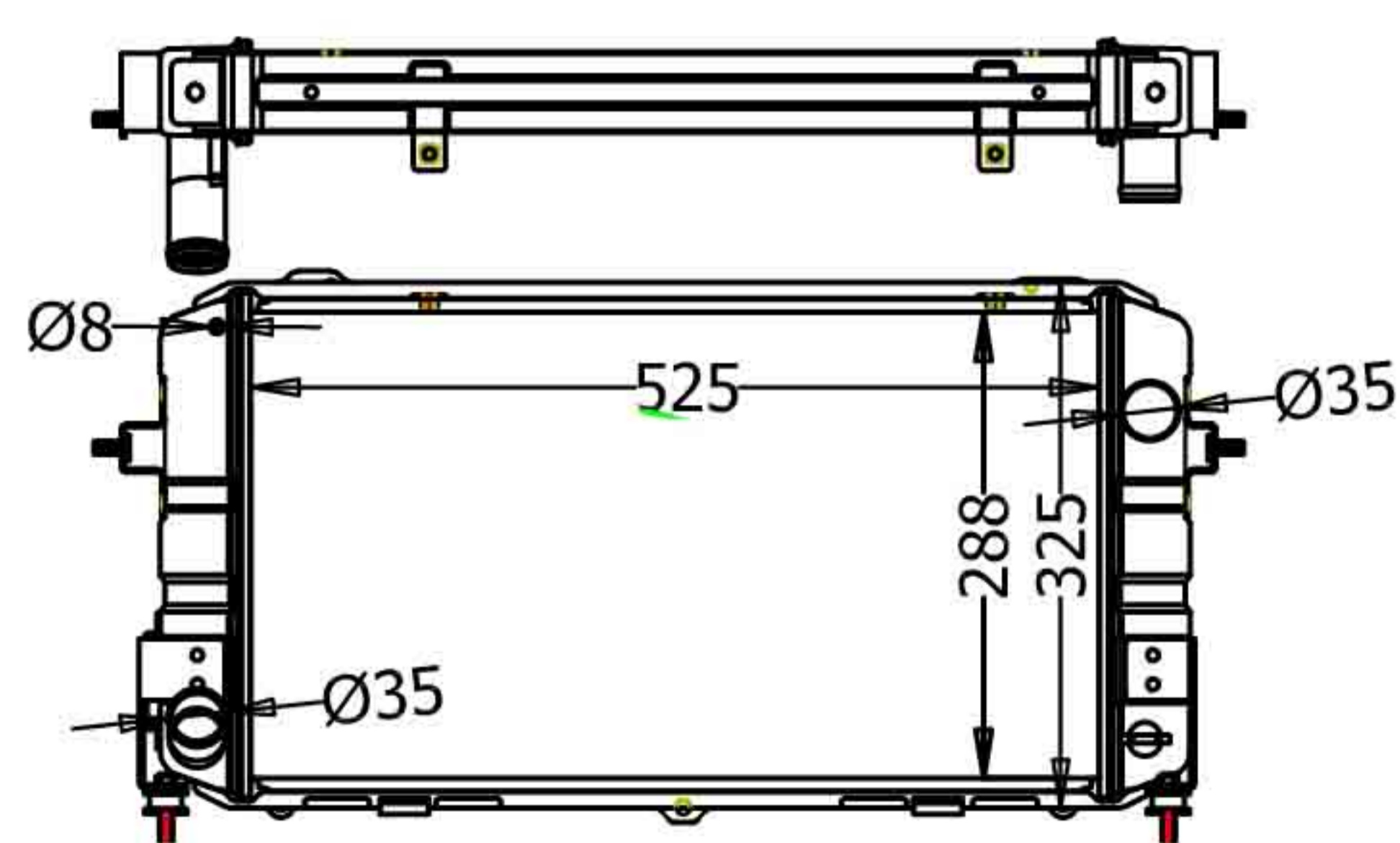
CARTYPE: 92'TOWN - ACE (小霸王) AT  
 CORE SIZE: BC 550\*328\*32 TANK SIZE:350\*46  
 CARTON: 640\*565\*135  
 OEM:  
 DPI:

TO-12071



CARTYPE: TOWNACE(525小霸王) AT  
 CORE SIZE: BC 525x328x32 TANK SIZE:350\*46  
 CARTON:  
 OEM:  
 DPI:

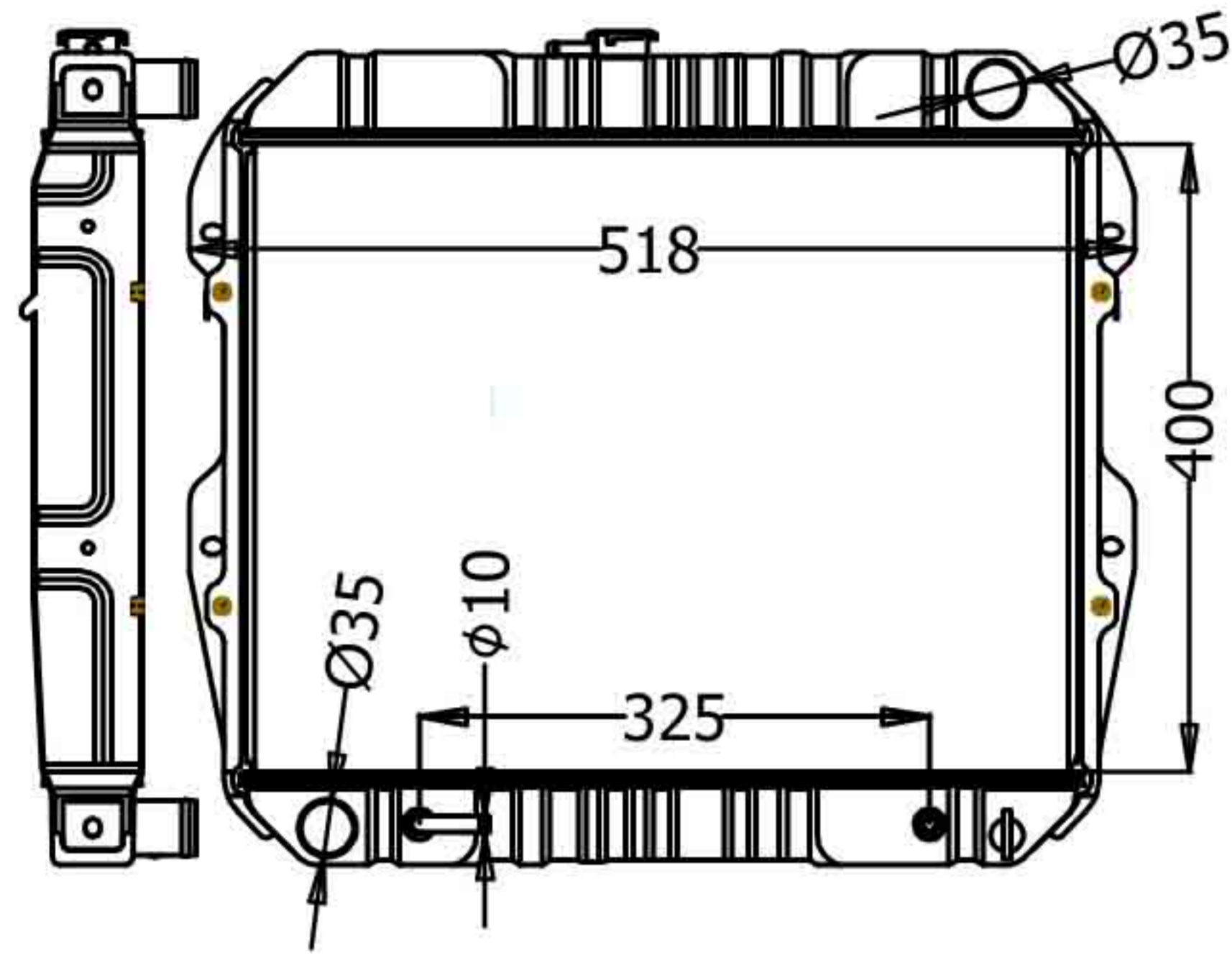
TO-12072



CARTYPE: TOWNACE LITEACE(小海狮) MT  
 CORE SIZE: BC 525x288x49 TANK SIZE: 310\*62  
 CARTON:  
 OEM:  
 DPI:

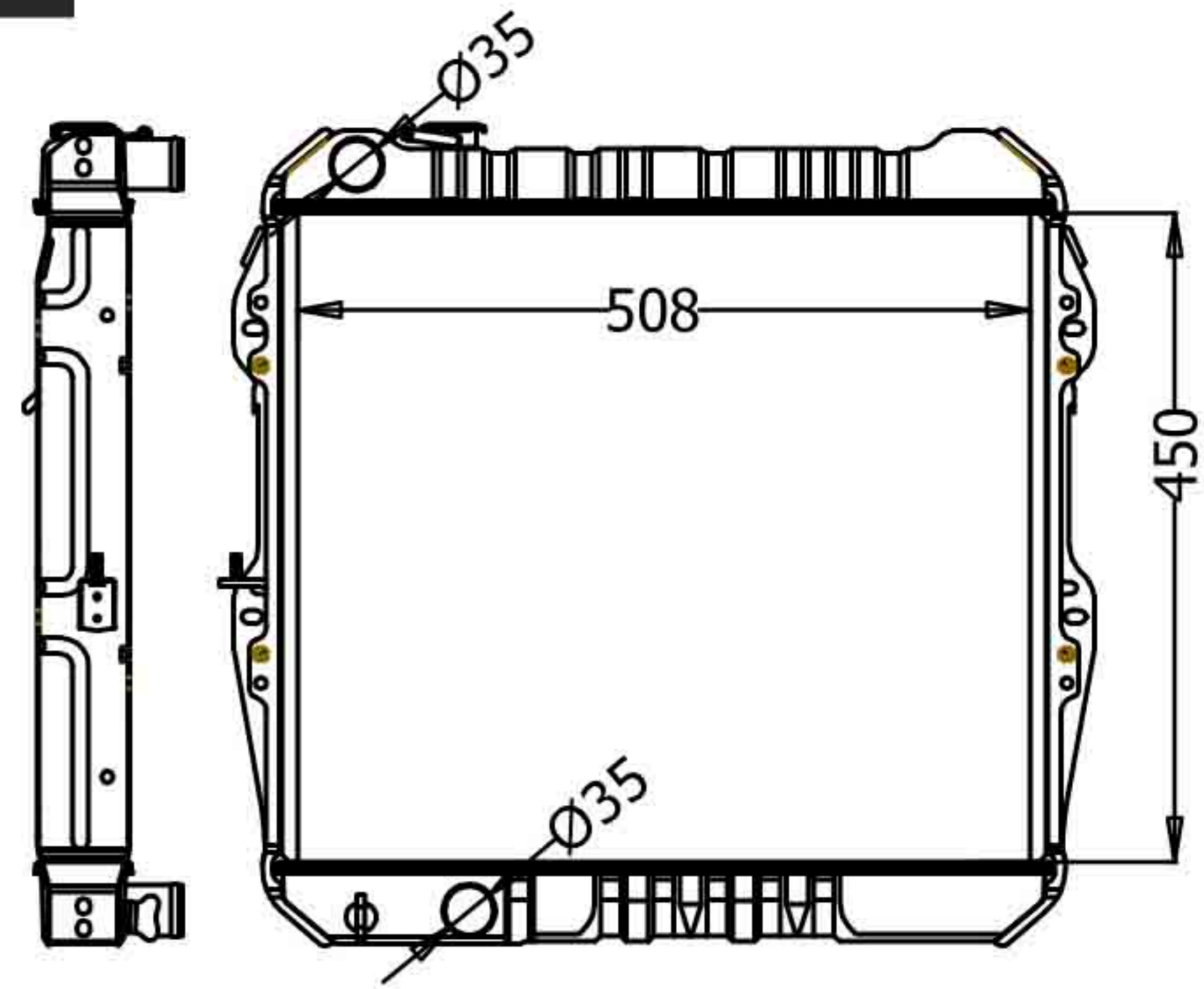
# TOYOTA

TO-12073



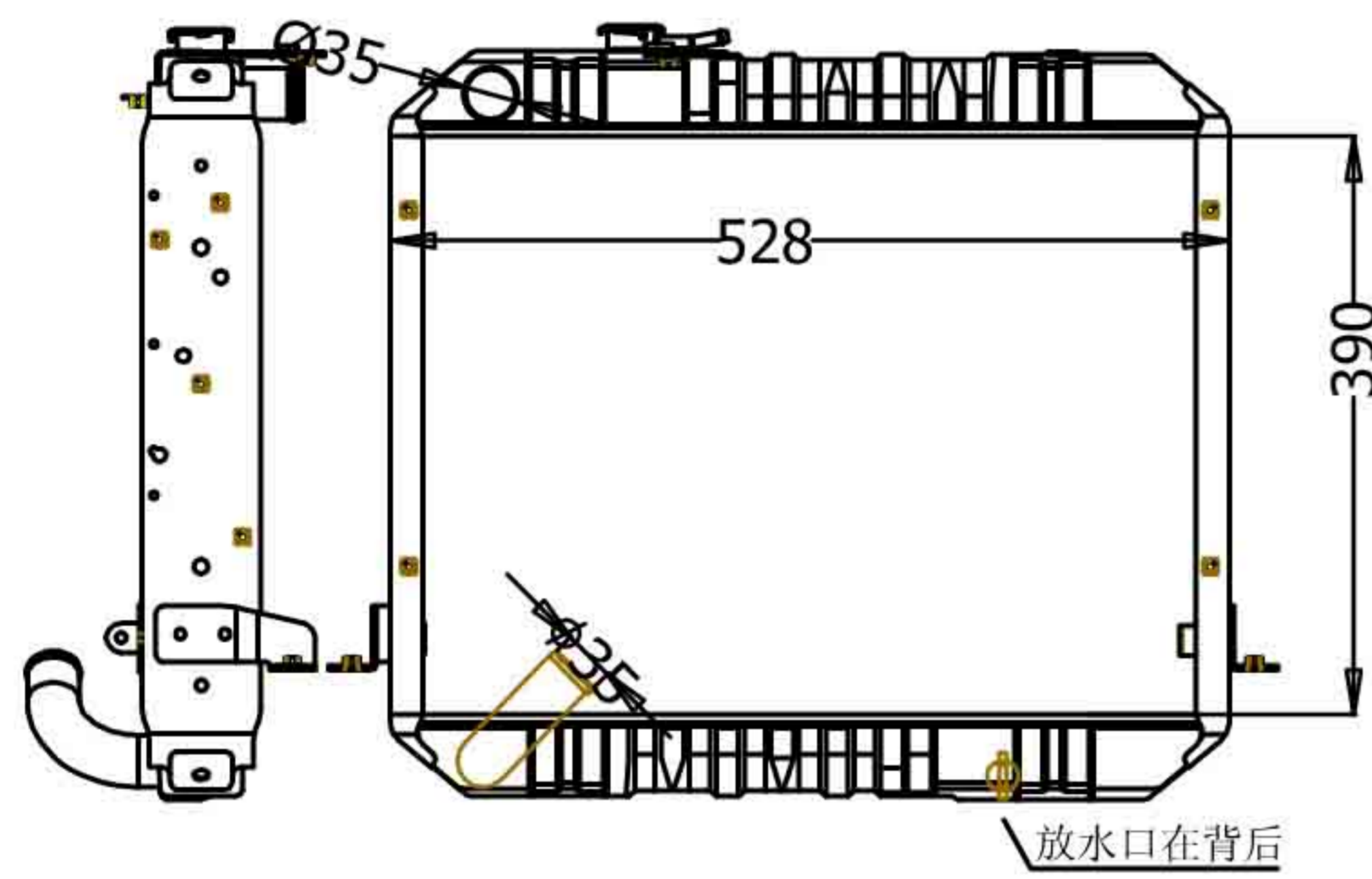
CARTYPE: HILUX YN86/106/110 RN60/65/106 AT  
 CORE SIZE: BC 400x518x49 TANK SIZE: 535\*60  
 CARTON: 620\*570\*130  
 OEM: 16400-35350/71080/71081  
 DPI:

TO-12074



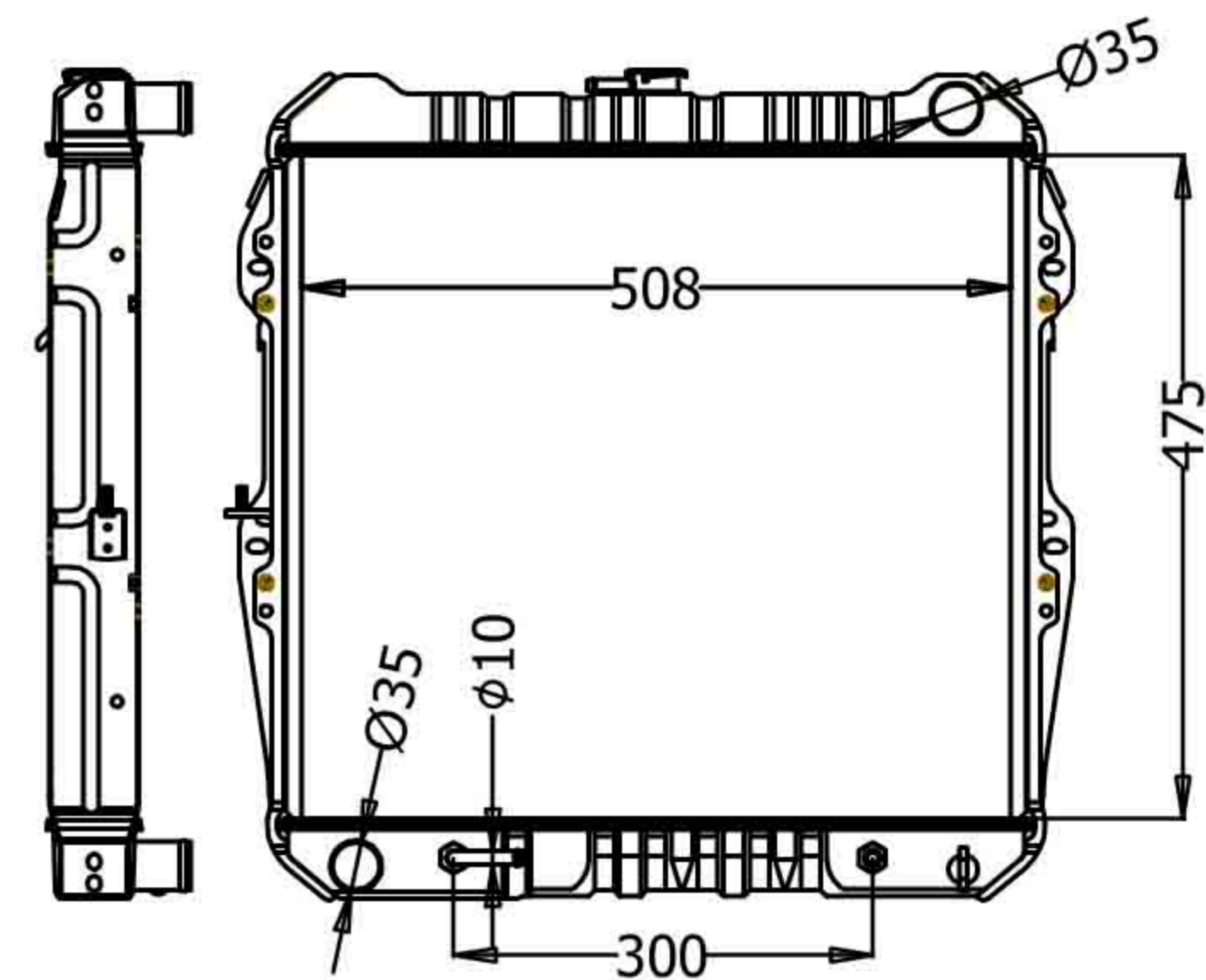
CARTYPE: HILUX(海拉克斯LN10#) MT  
 CORE SIZE: BC 450x508x49 TANK SIZE: 535\*65  
 CARTON: 635\*615\*150  
 OEM:  
 DPI:

TO-12075



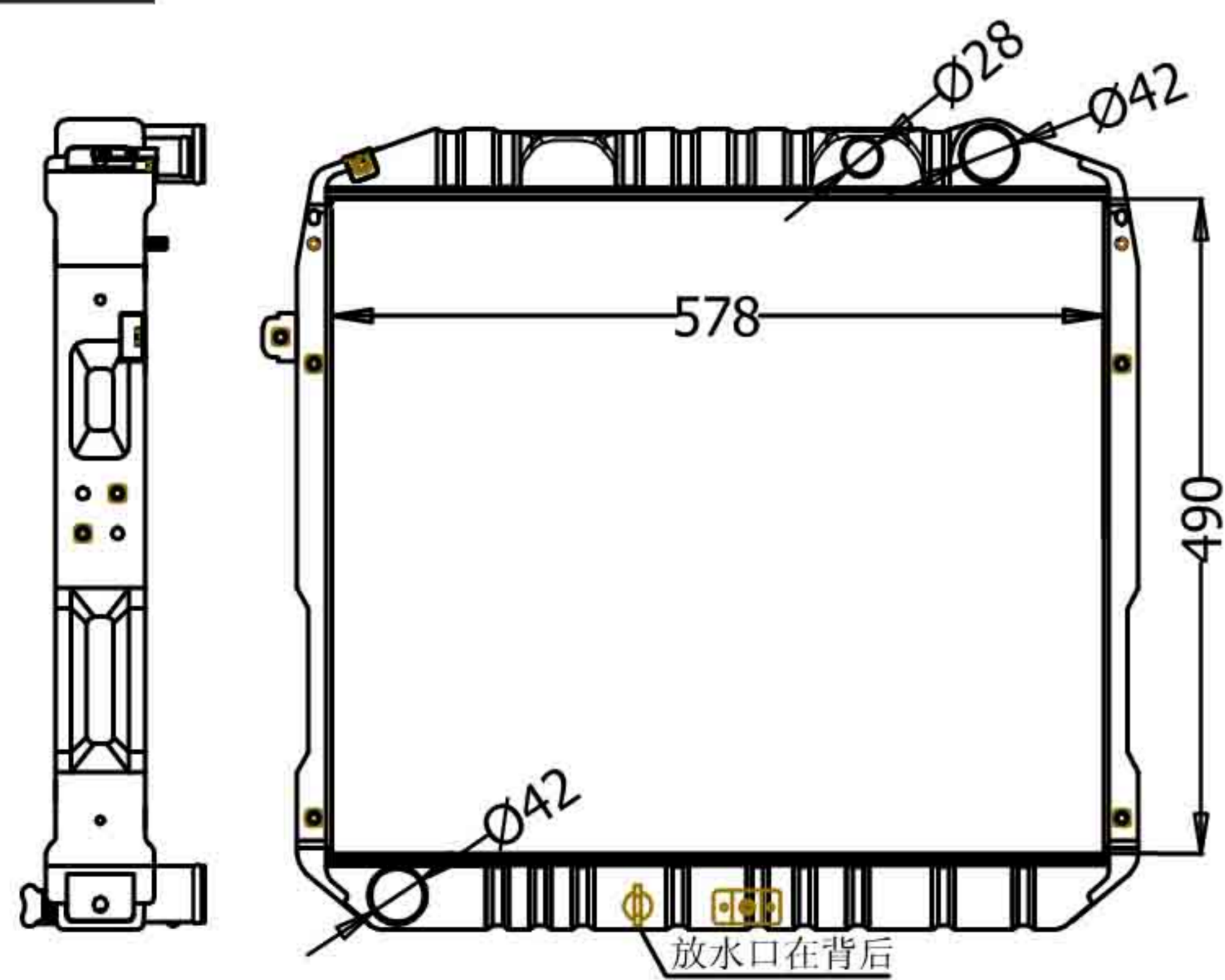
CARTYPE: 2L(旧款2Y) MT  
 CORE SIZE: BC 390x528x49 TANK SIZE: 535\*65  
 CARTON:  
 OEM:  
 DPI:

TO-12076



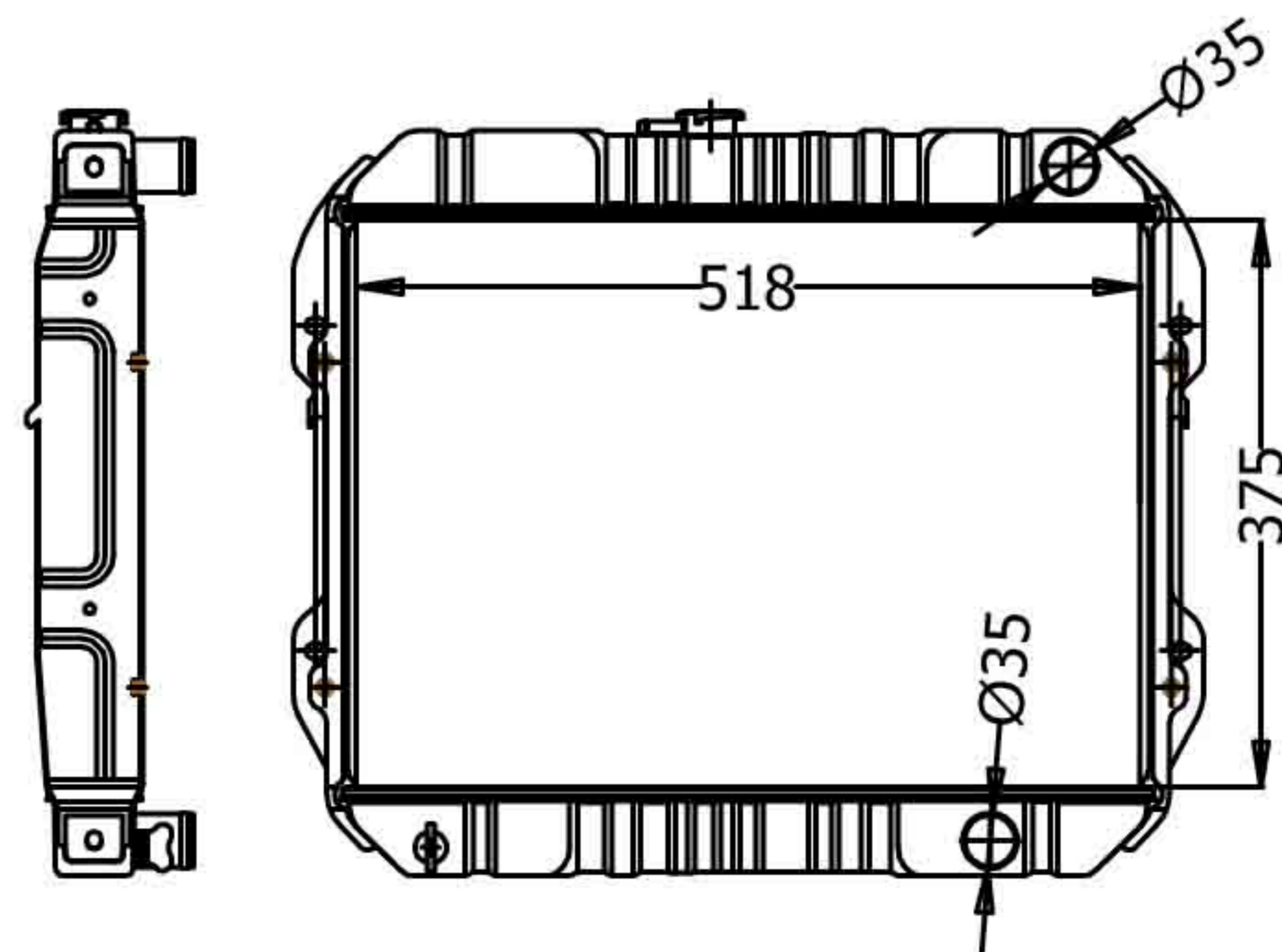
CARTYPE: HILUX(海拉克斯(沙特阿拉百版) AT  
 CORE SIZE: BC 475x508x49 TANK SIZE: 535\*65  
 CARTON:  
 OEM:  
 DPI:

TO-12077



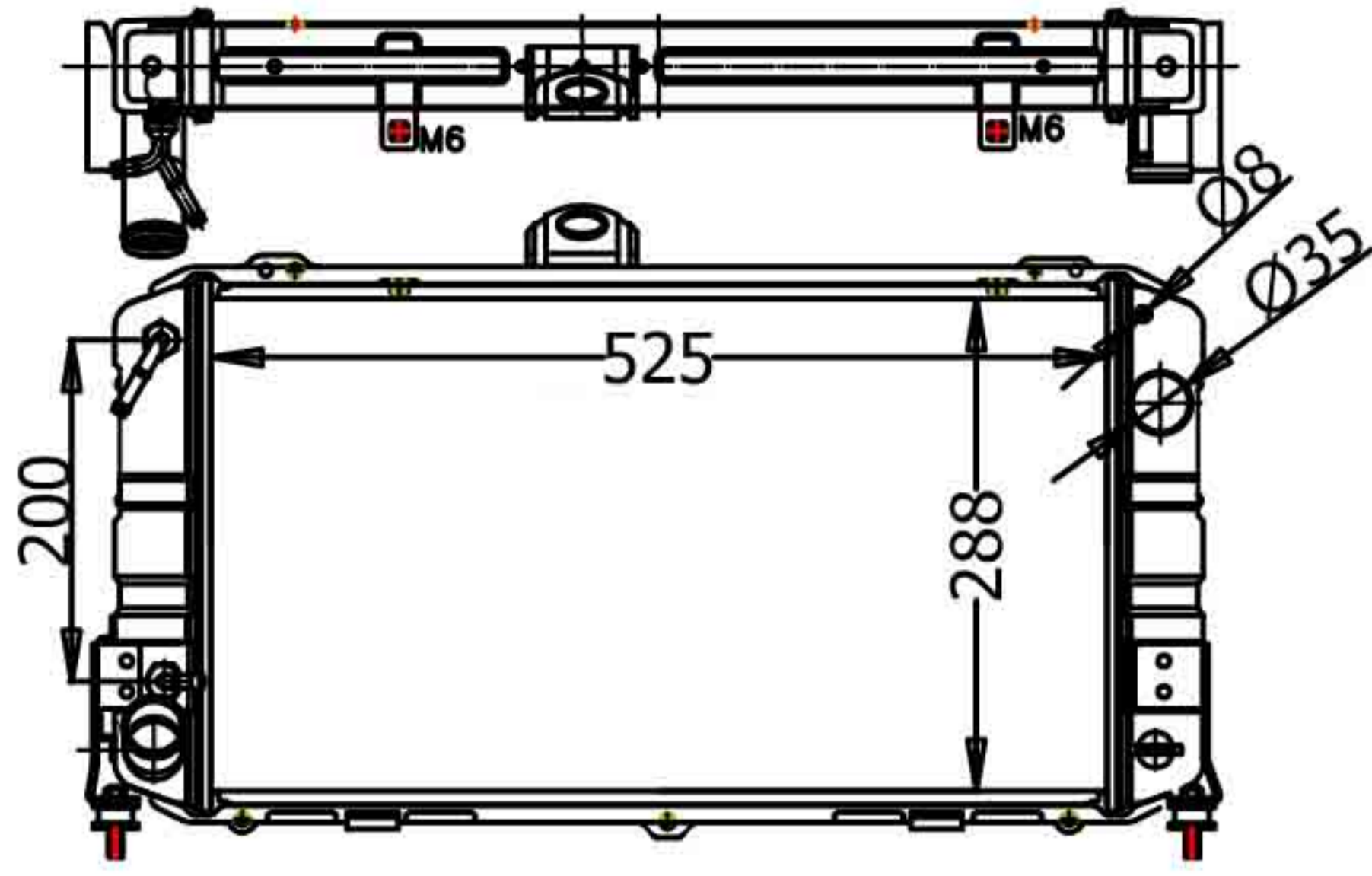
CARTYPE: COASTER (490丰田中巴3#) MT  
 CORE SIZE: BC 490x578x49 TANK SIZE: 600\*74  
 CARTON:  
 OEM:  
 DPI:

TO-12078



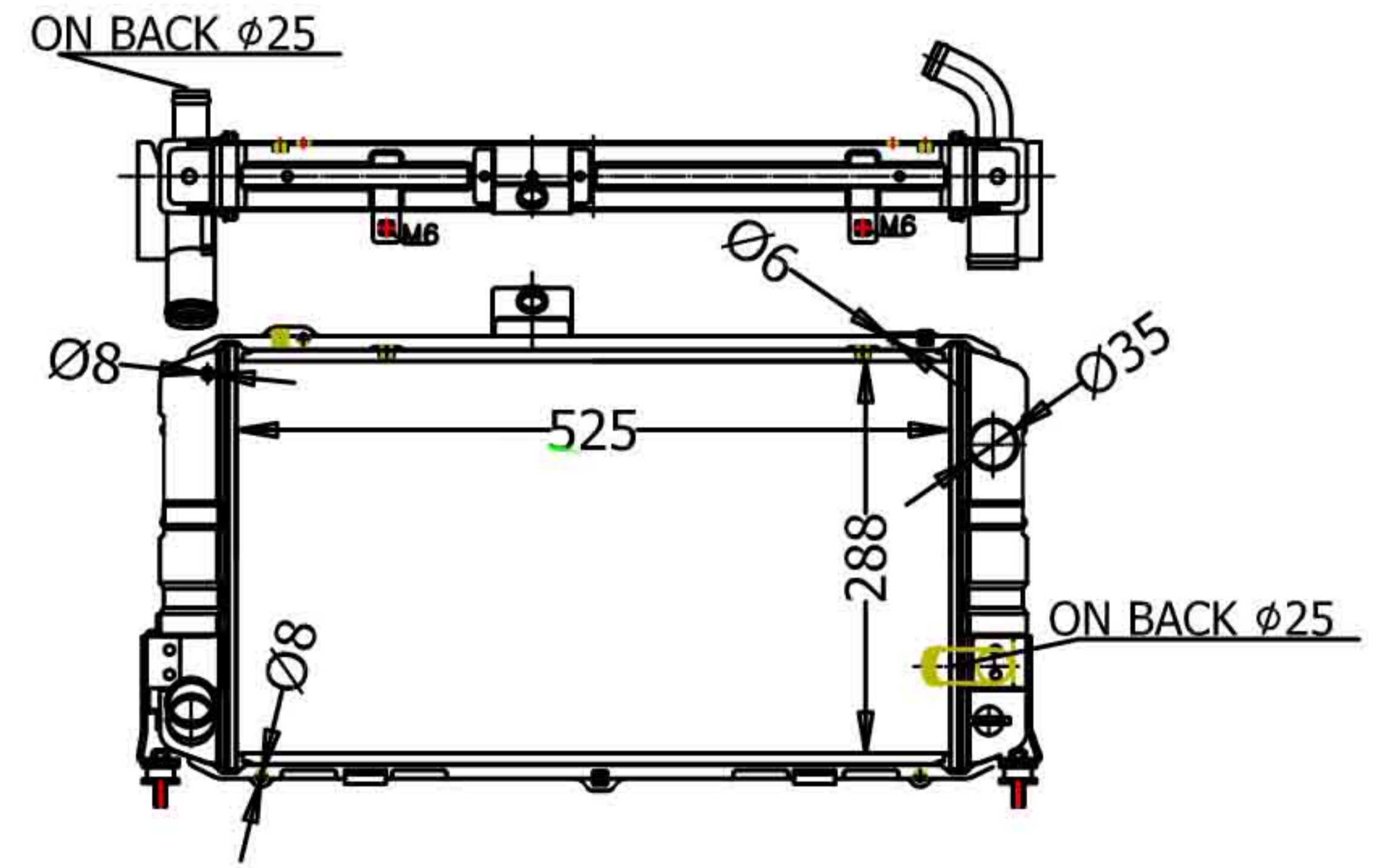
CARTYPE: HILUX(88海拉克斯) MT  
 MCORE SIZE: BC : 375\*518\*49 TANK SIZE: 535\*60  
 CARTON:  
 OEM:  
 DPI:

## TO-12079



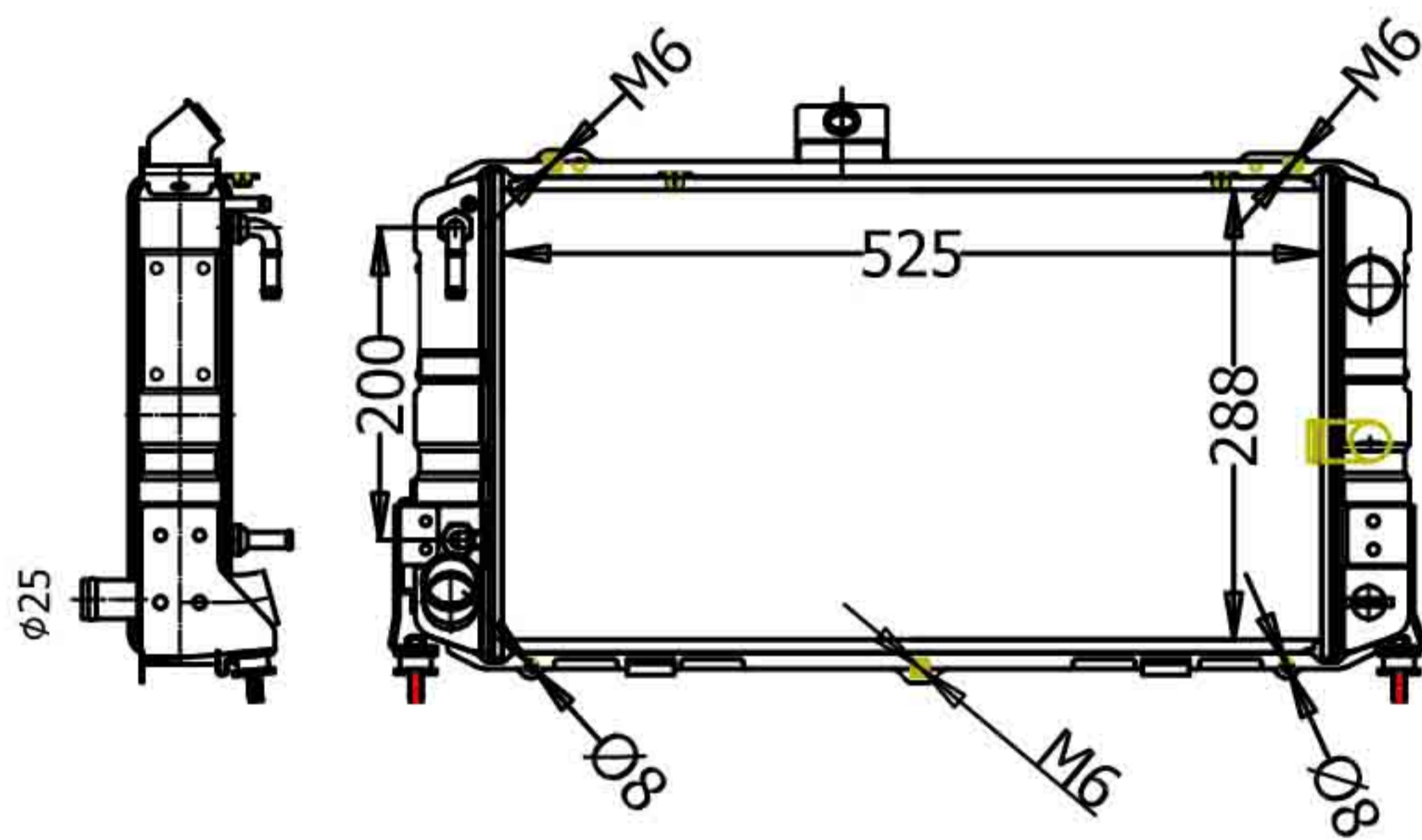
CARTYPE: TOWNACE LITEACE E-YR306 3Y-EU(小海狮0522) AT  
 CORE SIZE: BC 525\*288\*49 TANK SIZE: 310\*62  
 CARTON:  
 OEM:  
 DPI:

## TO-12080



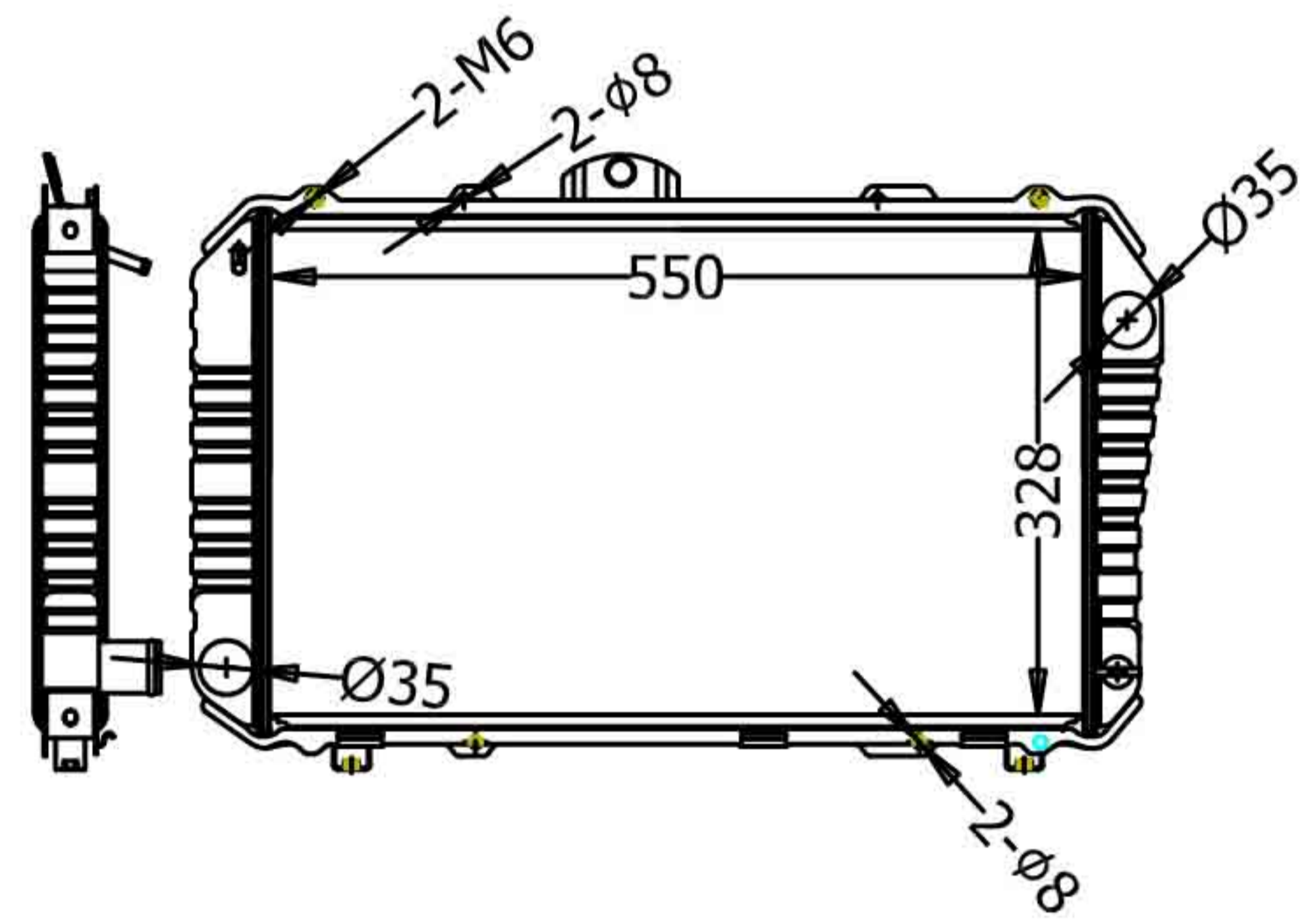
CARTYPE: TOWNACE LITEACE(小海狮0518) MT  
 CORE SIZE: BC 525\*288\*49 TANK SIZE: 310\*62  
 CARTON:  
 OEM:  
 DPI:

## TO-12081



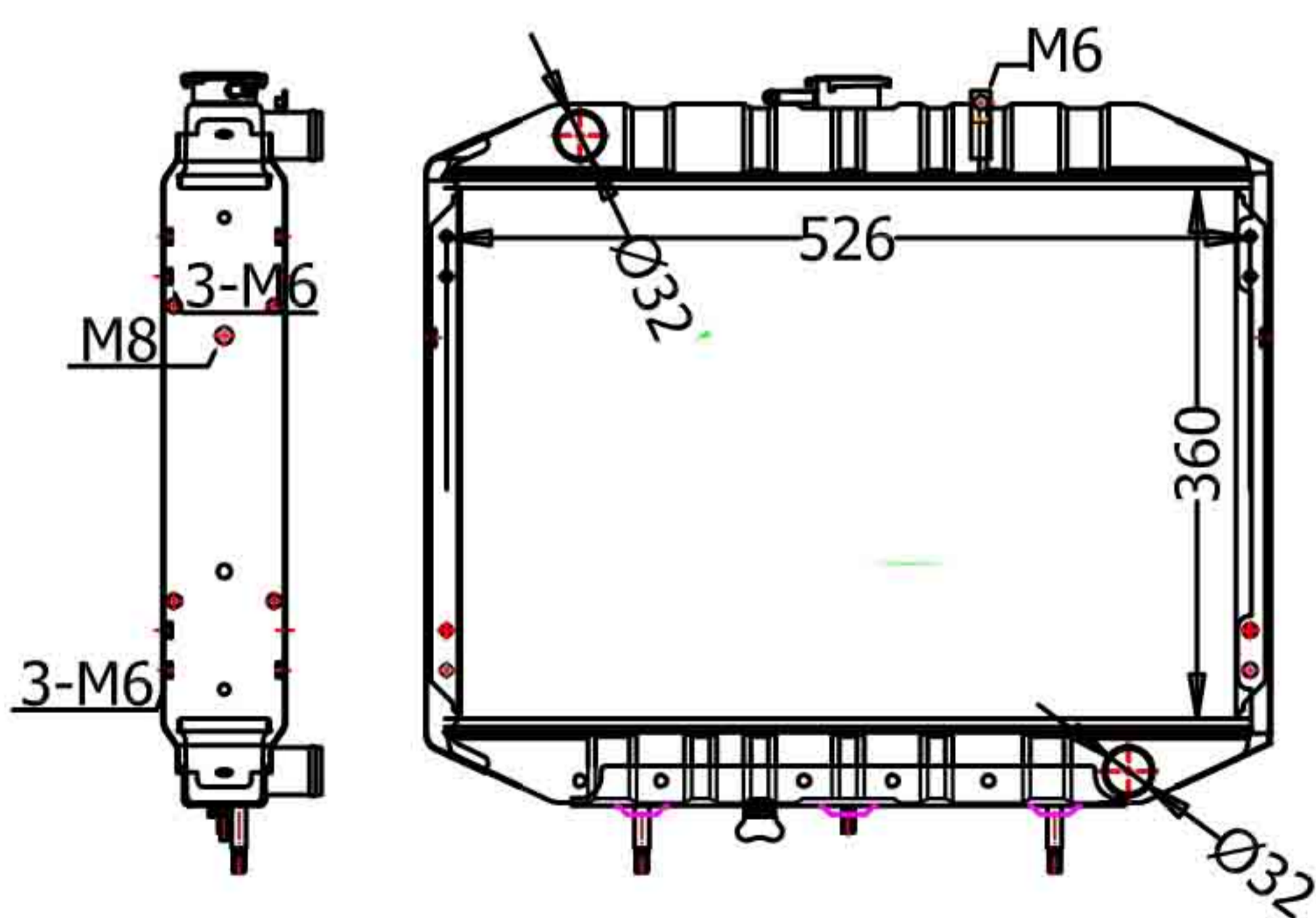
CARTYPE: TOWNACE LITEACE(小海狮0519) AT  
 CORE SIZE: BC 525\*288\*49 TANK SIZE: 310\*62  
 CARTON:  
 OEM:  
 DPI:

## TO-12082



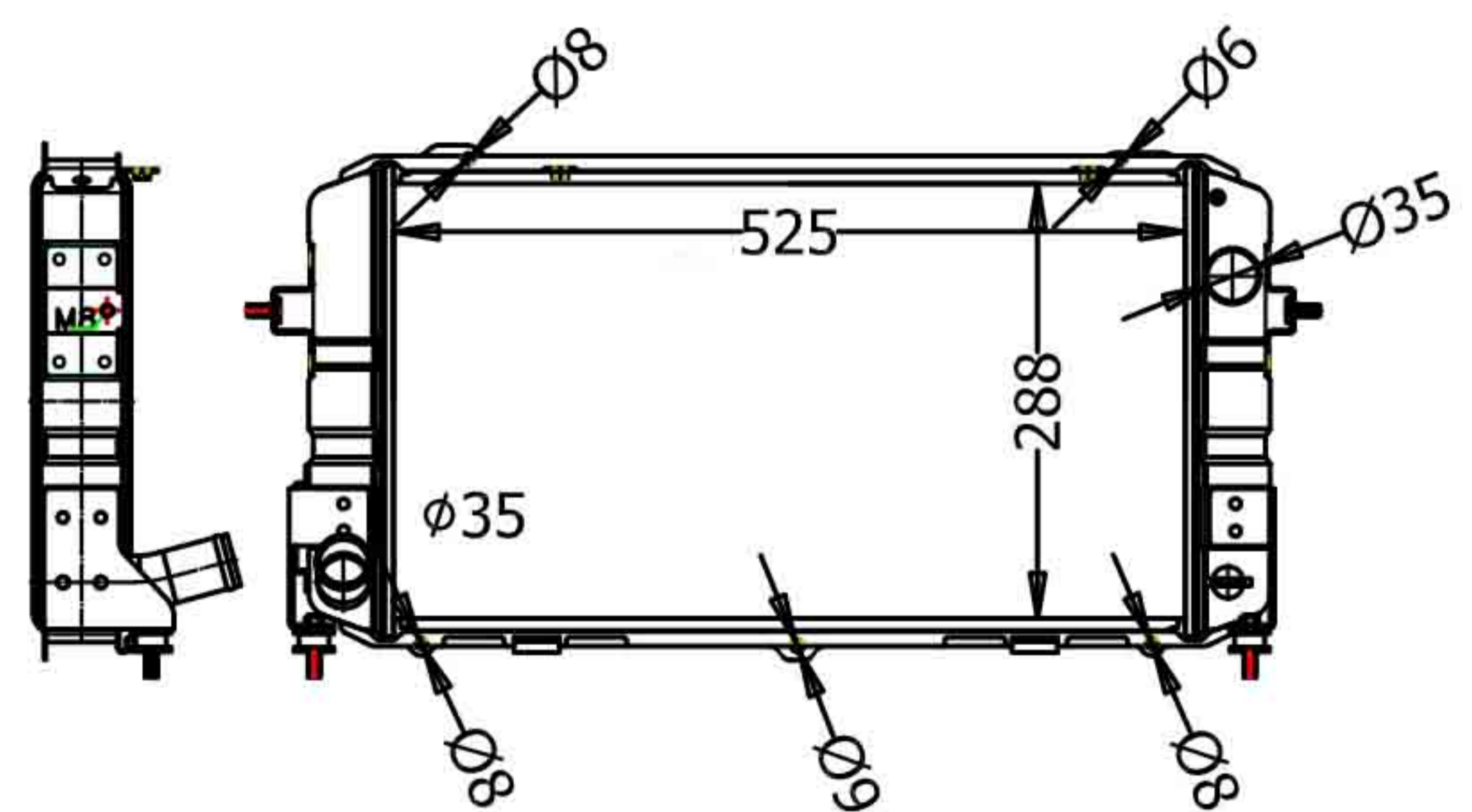
CARTYPE: CR27 MT  
 CORE SIZE: BC 550\*328\*32 TANK SIZE: 350\*46  
 CARTON:  
 OEM:  
 DPI:

## TO-12083



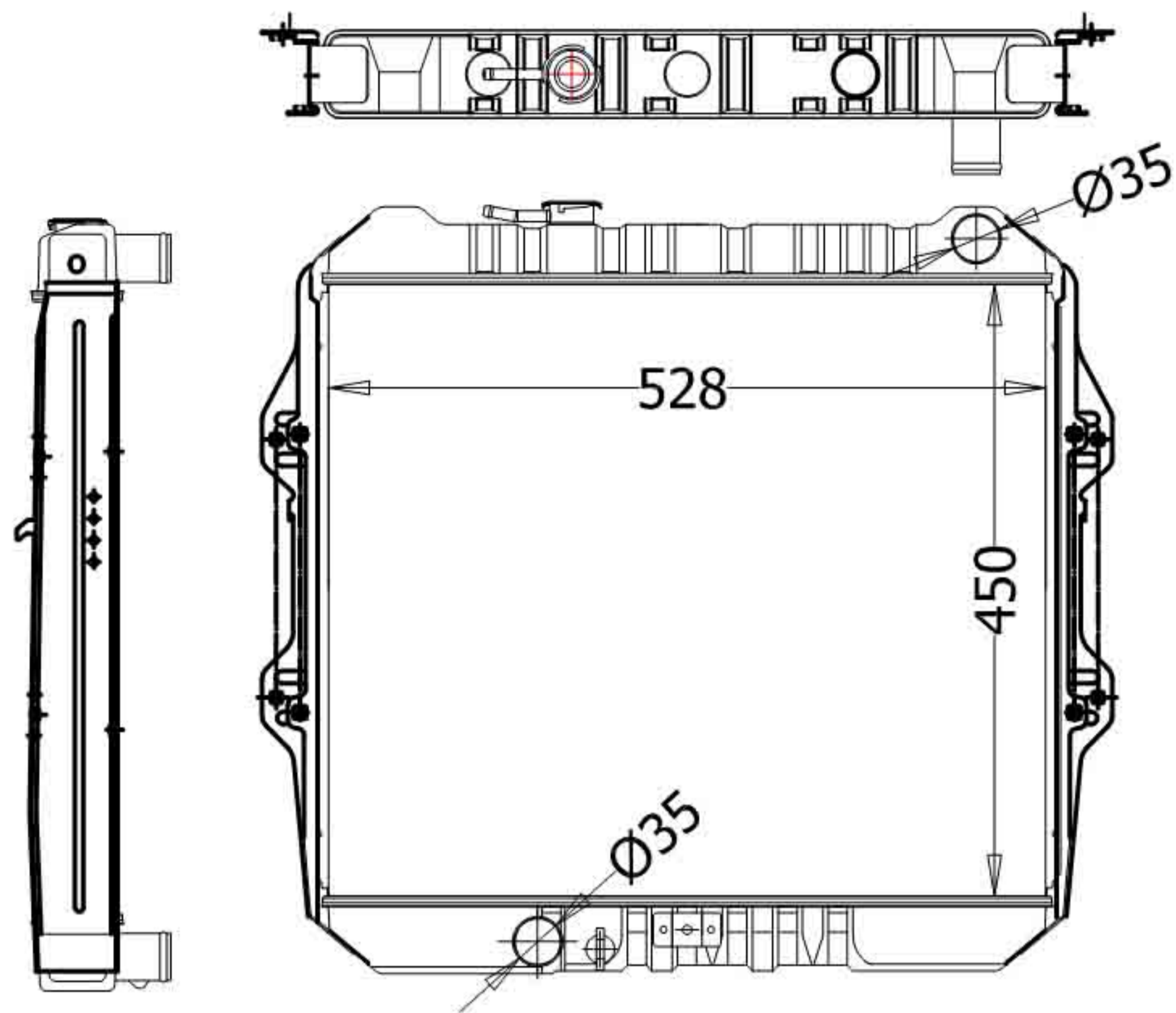
CARTYPE: COASTER(丰田出租车) MT  
 CORE SIZE: BC 360\*526\*49 TANK SIZE: 550\*60  
 CARTON:  
 OEM:  
 DPI:

## TO-12084



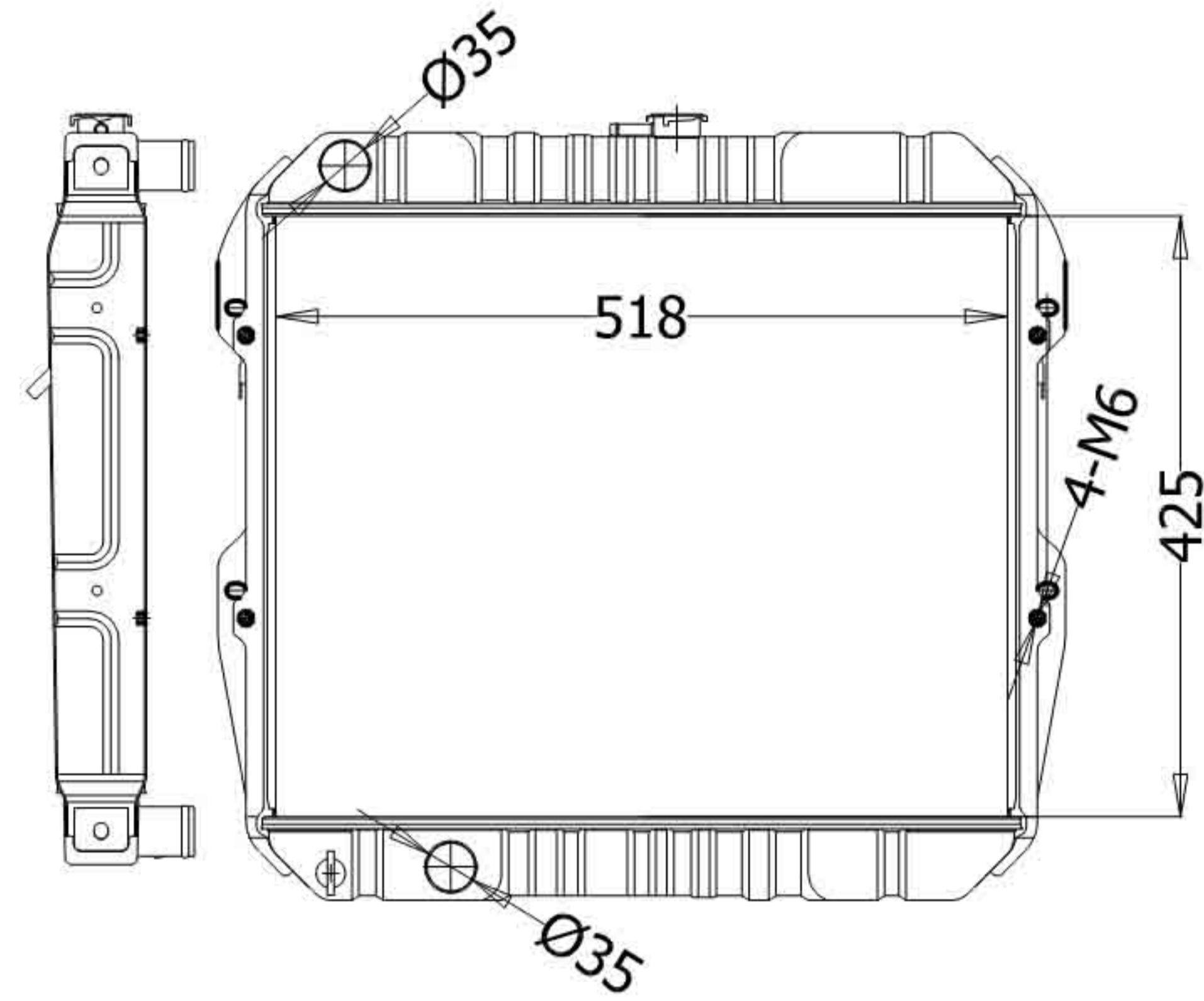
CARTYPE: TOWNACE LITEACE(小海狮改型) MT  
 CORE SIZE: BC 525\*288\*49 TANK SIZE: 310\*62  
 CARTON:  
 OEM:  
 DPI:

## TO-12085



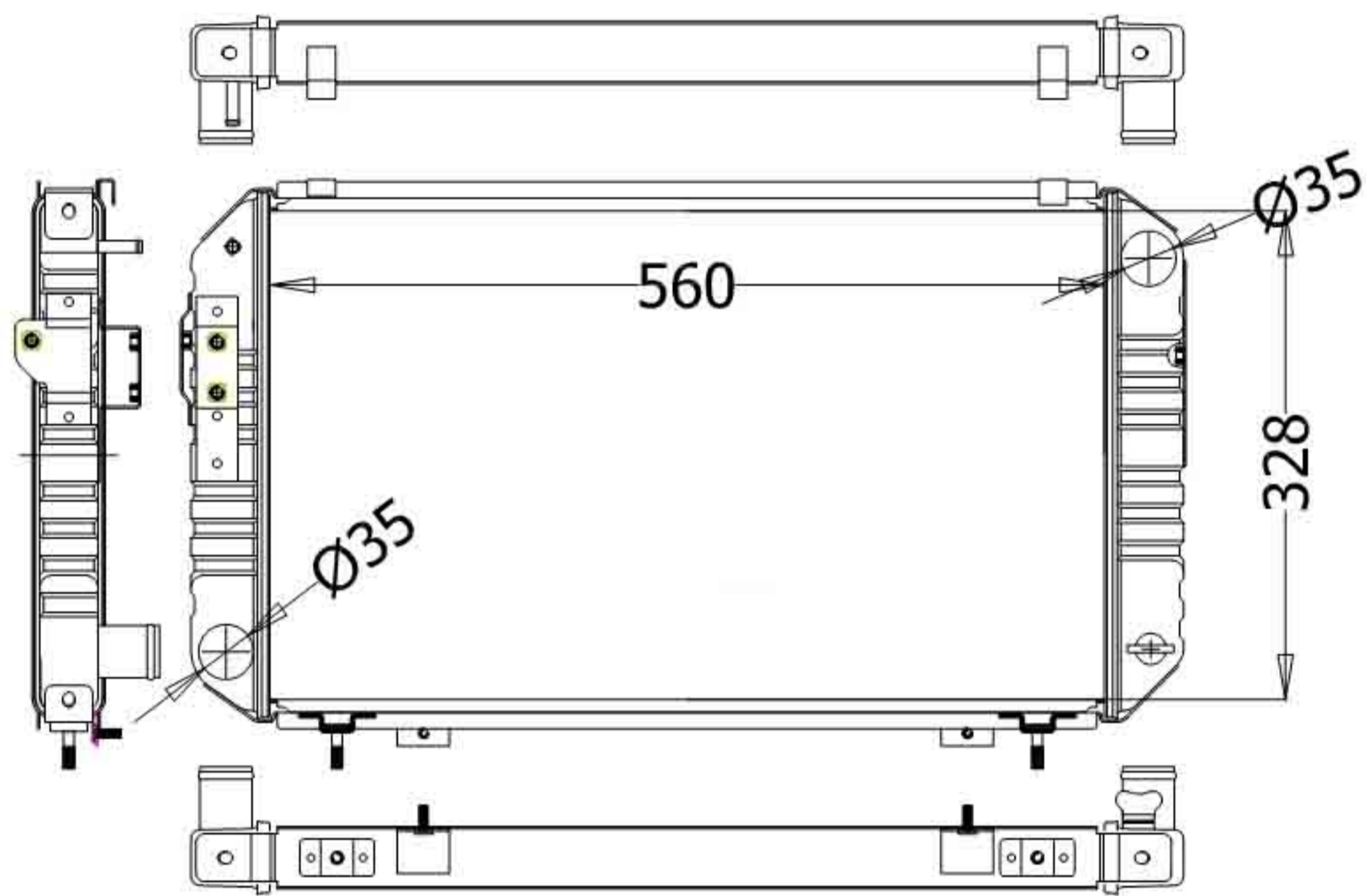
CARTYPE: HILUX (海拉克斯RZN147) MT  
 CORE SIZE: BC 450\*528\*32 TANK SIZE: 535\*65  
 CARTON:  
 OEM:  
 DPI:

## TO-12086



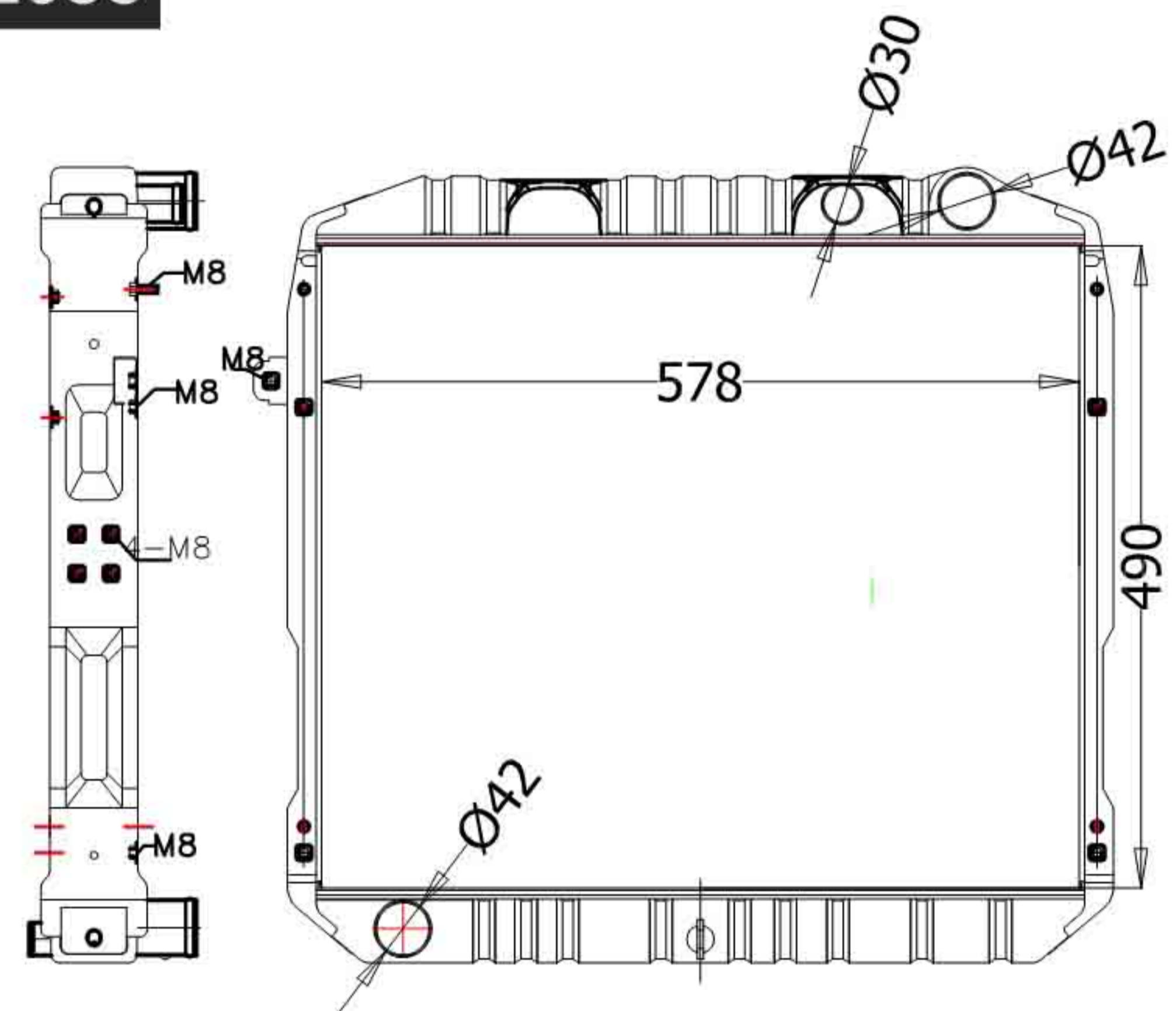
CARTYPE: HILUX (改装RN85) MT  
 CORE SIZE: BC 425\*518\*49 TANK SIZE: 535\*60  
 CARTON:  
 OEM: 16400-54250  
 DPI:

## TO-12087



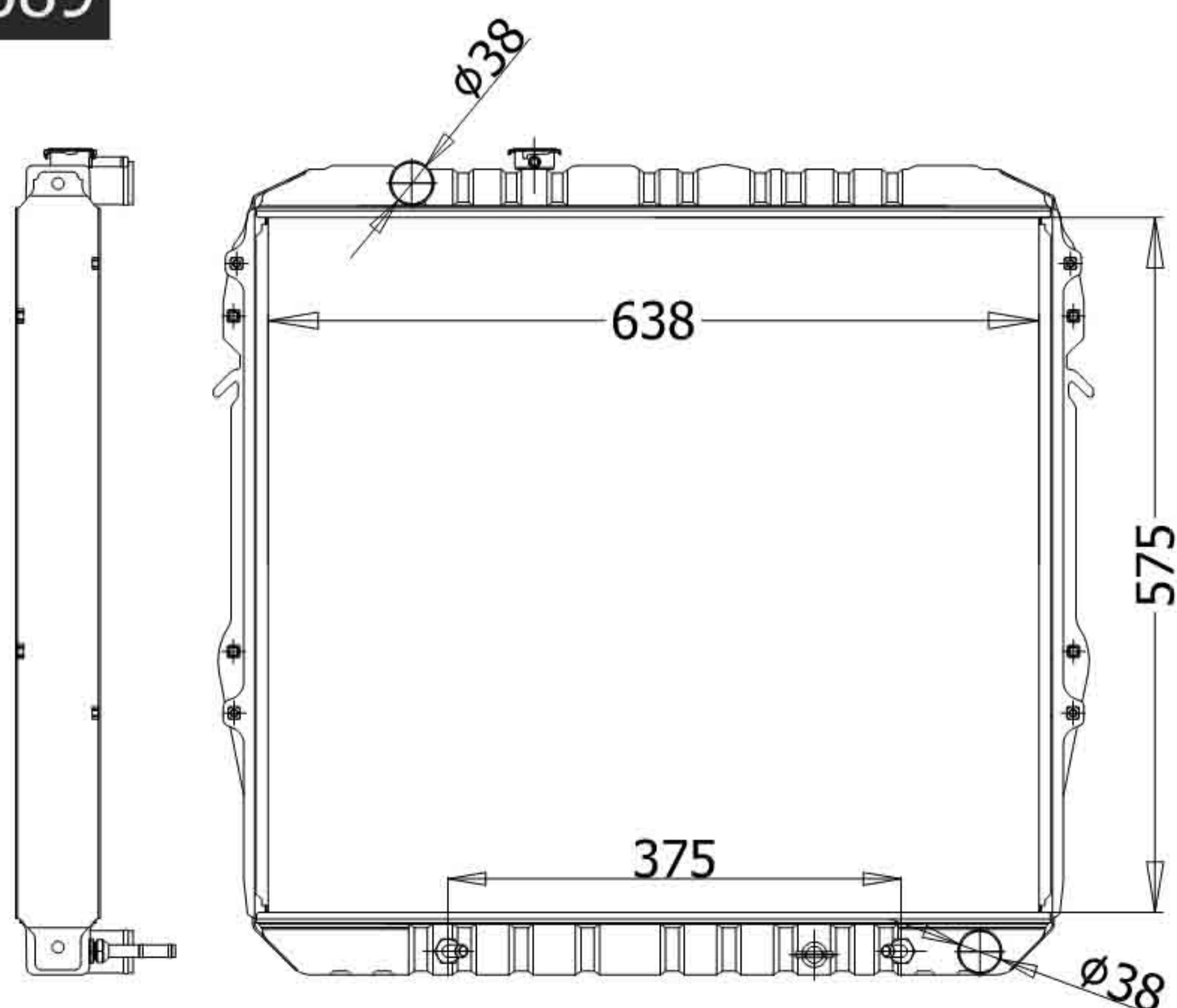
CARTYPE: TOWNACE(改装小霸王) MT  
 CORE SIZE: BC 560\*328\*32 TANK SIZE: 350\*46  
 CARTON:  
 OEM:  
 DPI:

## TO-12088



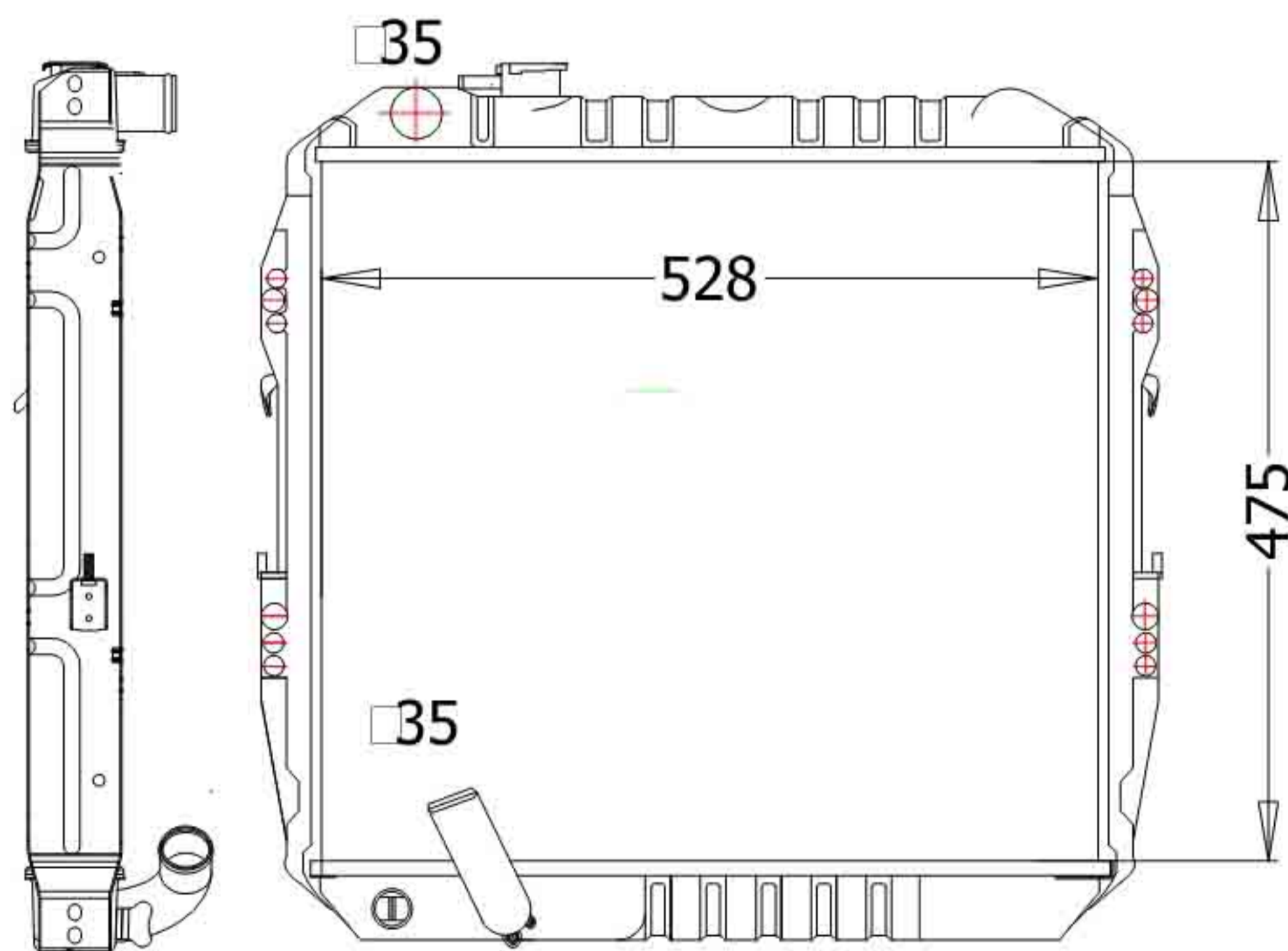
CARTYPE: COASTER (果丰490丰田中巴) MT  
 CORE SIZE: BC 490\*578\*49 TANK SIZE: 600\*74  
 CARTON:  
 OEM:  
 DPI:

## TO-12089



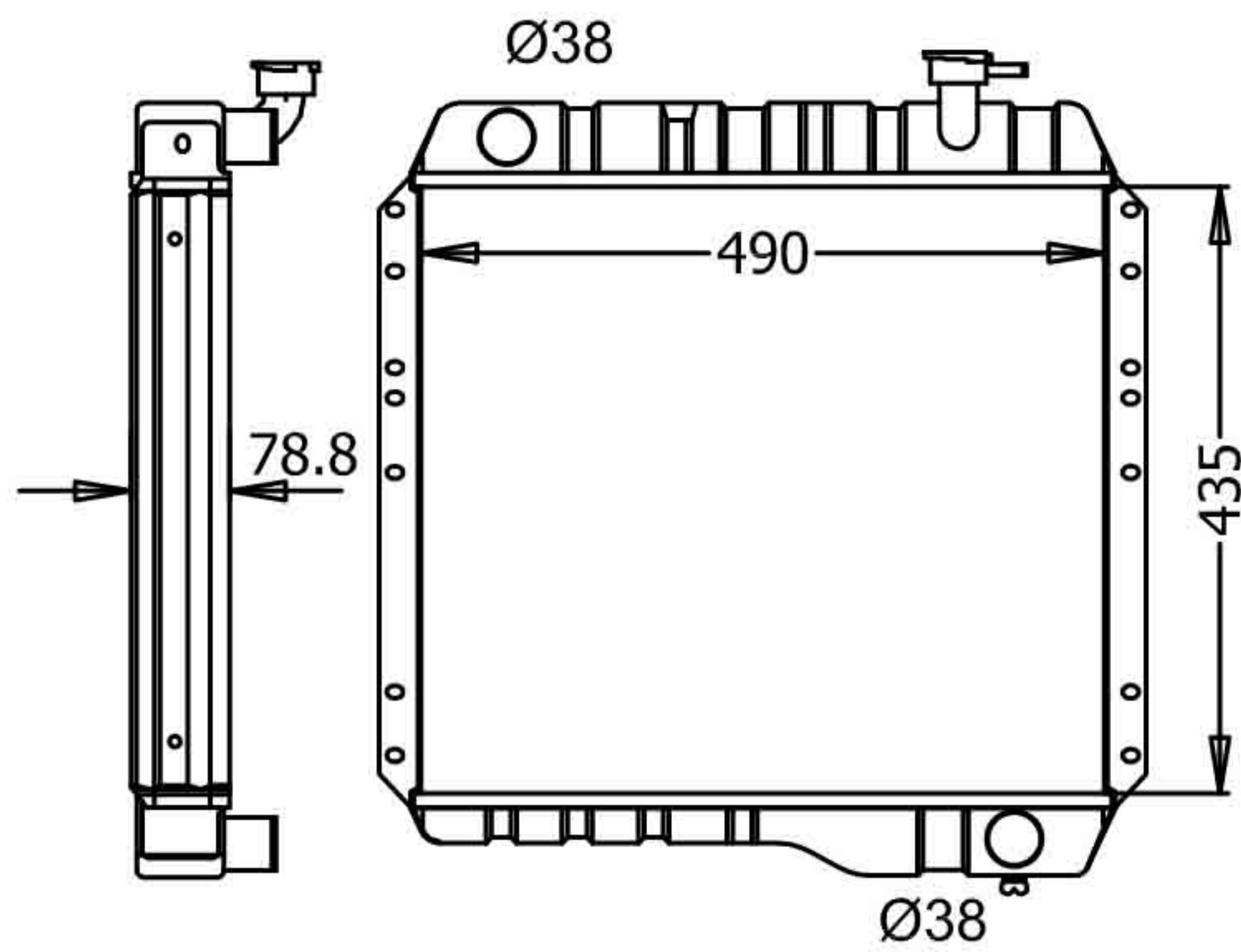
CARTYPE: PRADO'95-98 KZN 1KZ AT  
 CORE SIZE: BC 575\*638\*49 TANK SIZE: 655\*60  
 CARTON:  
 OEM: 16400-67121/67120/67140  
 DPI:

## TO-12090



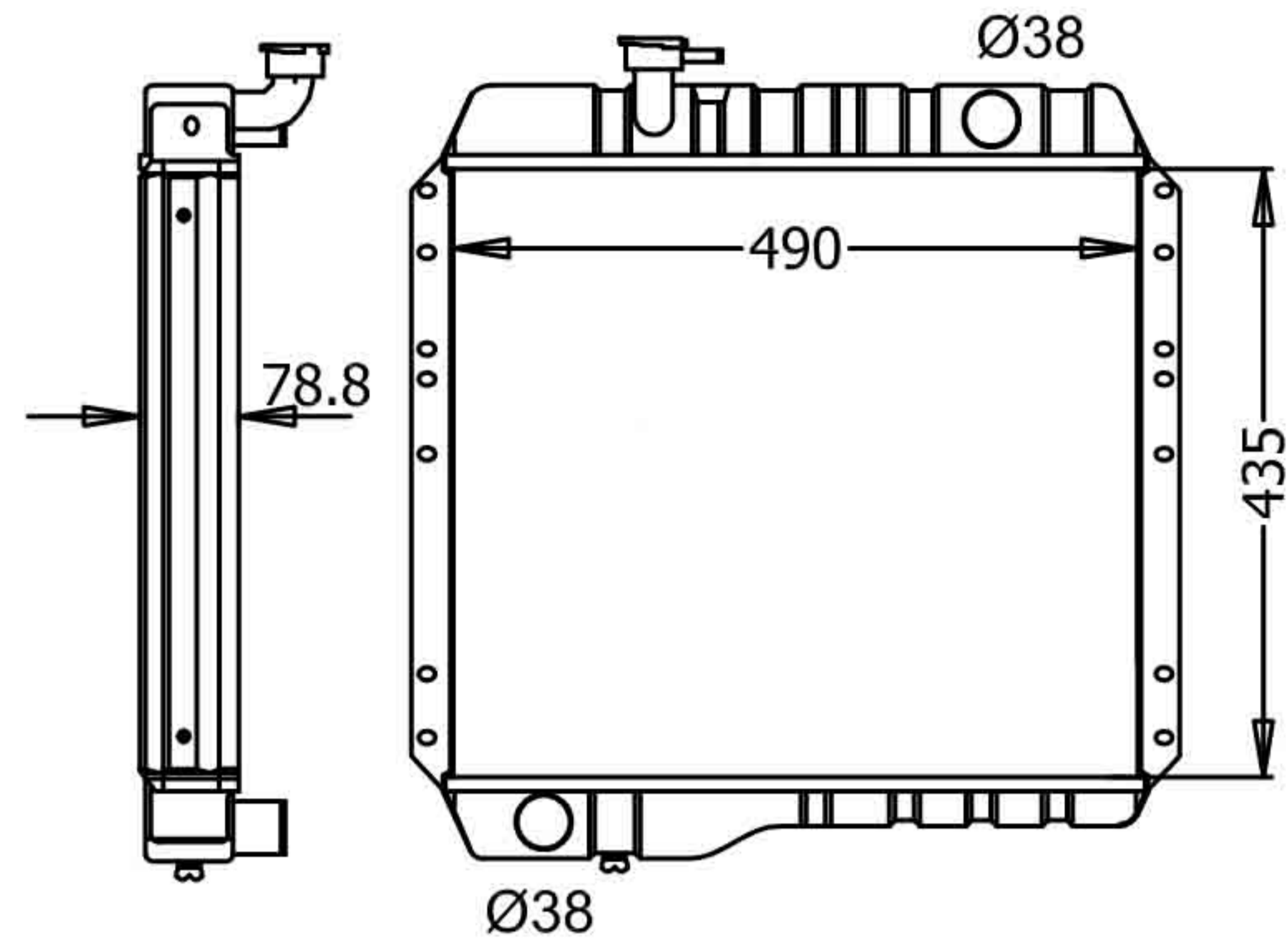
CARTYPE : HILUX 2.4(D) MTM  
 CORE SIZE : BC :475×528×32/48 TANK SIZE :  
 CARTON:  
 OEM :  
 DPI :

## TO-12091



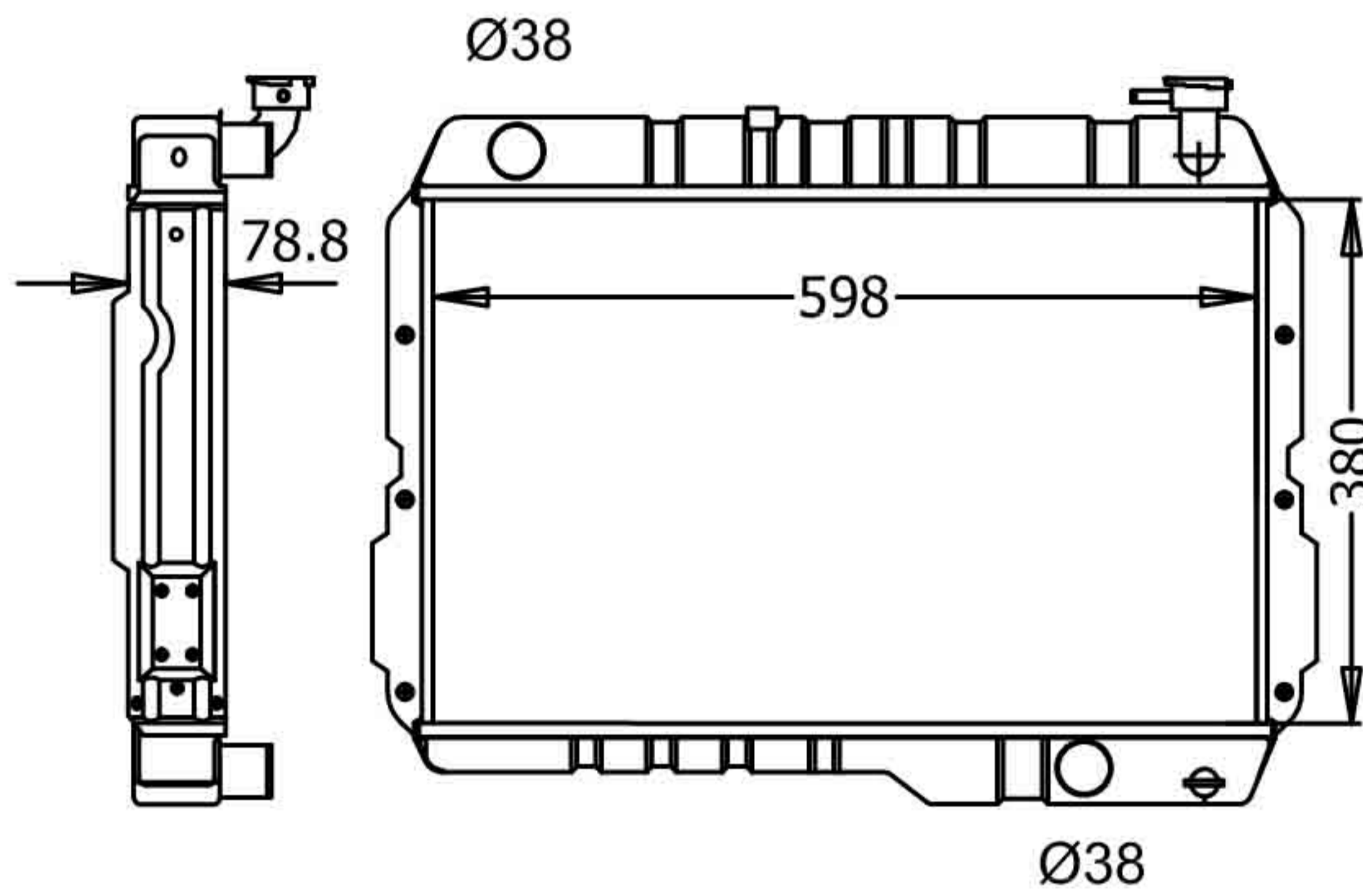
CARTYPE : LANDCRUISER FJ60/2F(陆地巡洋舰) MT  
 CORE SIZE : BC:435×490×49/64 TANK SIZE : 501.6\*78.8  
 CARTON:  
 OEM :  
 DPI :

## TO-12092



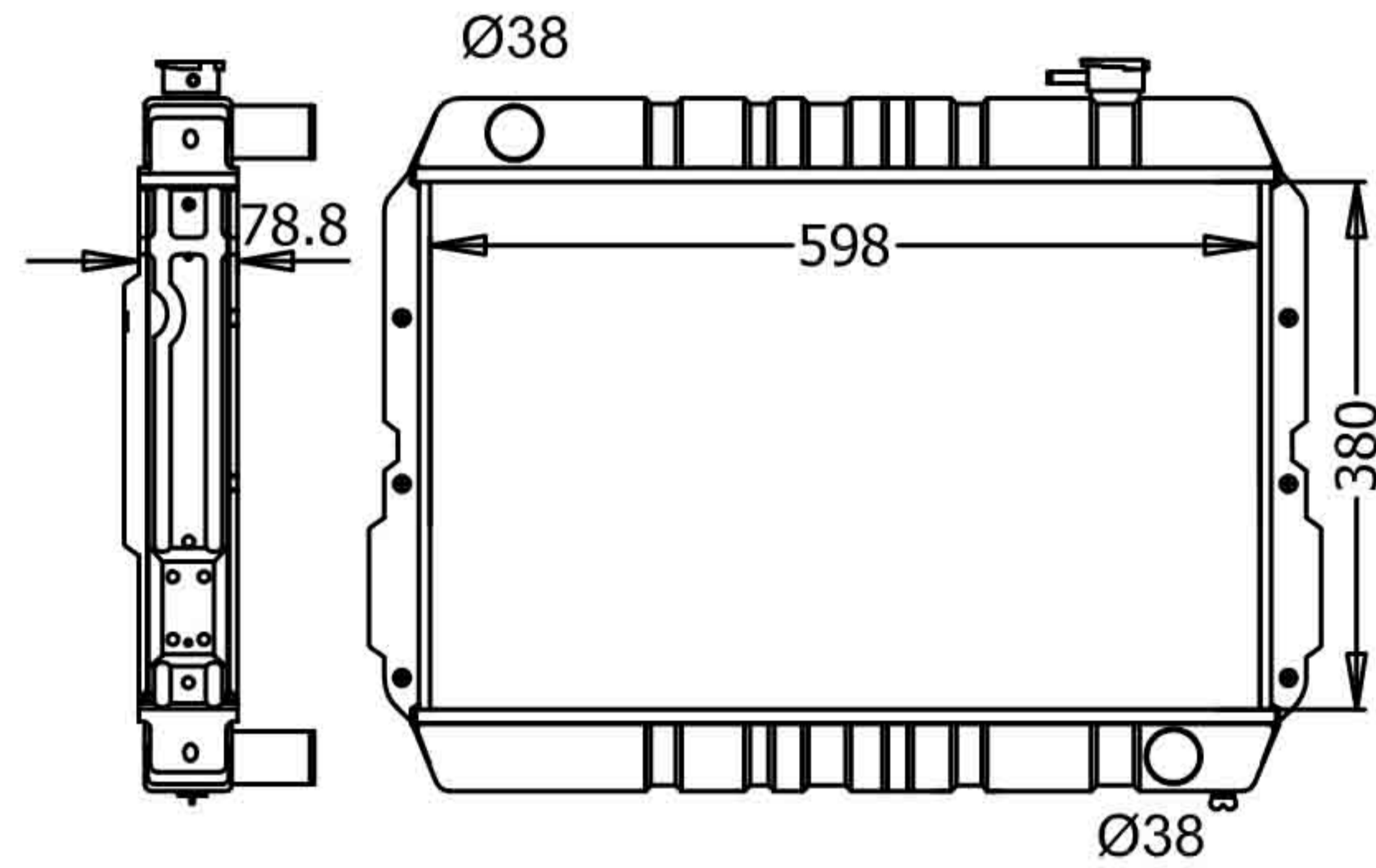
CARTYPE : LANDCRUISER (D) '72-80(陆地巡洋舰) MT  
 CORE SIZE : BC:435×490×49/64 TANK SIZE : 501.6\*78.8  
 CARTON:  
 OEM :  
 DPI :

## TO-12093



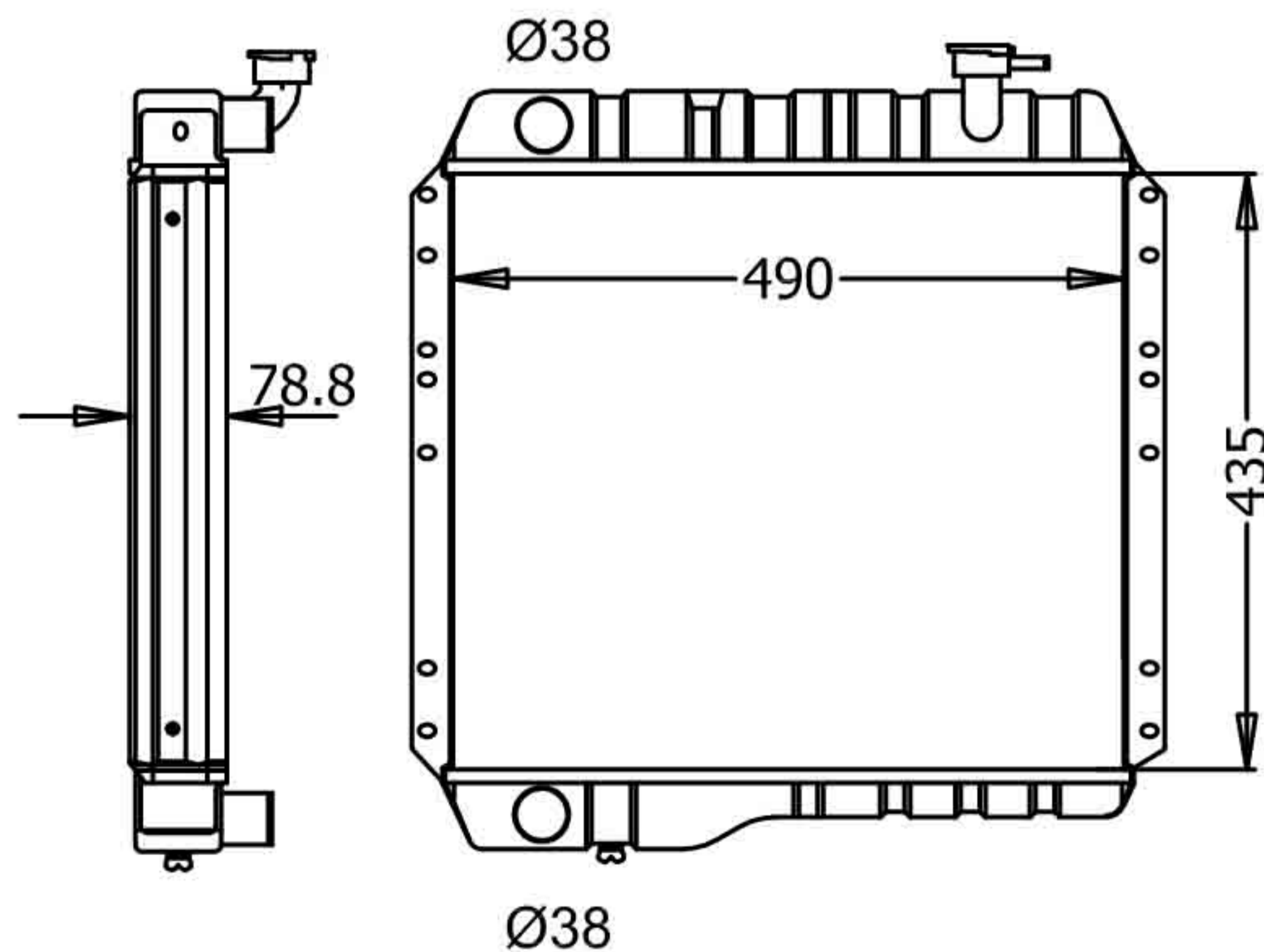
CARTYPE : LANDCRUISER '80-86 (陆地巡洋舰)  
 FJ60 2F SOME 3F 4.2L/4.0L 1980-1990 MT  
 CORE SIZE : BC:380×598×49/64 TANK SIZE : 616\*78.8  
 CARTON:  
 OEM : DPI :

## TO-12094



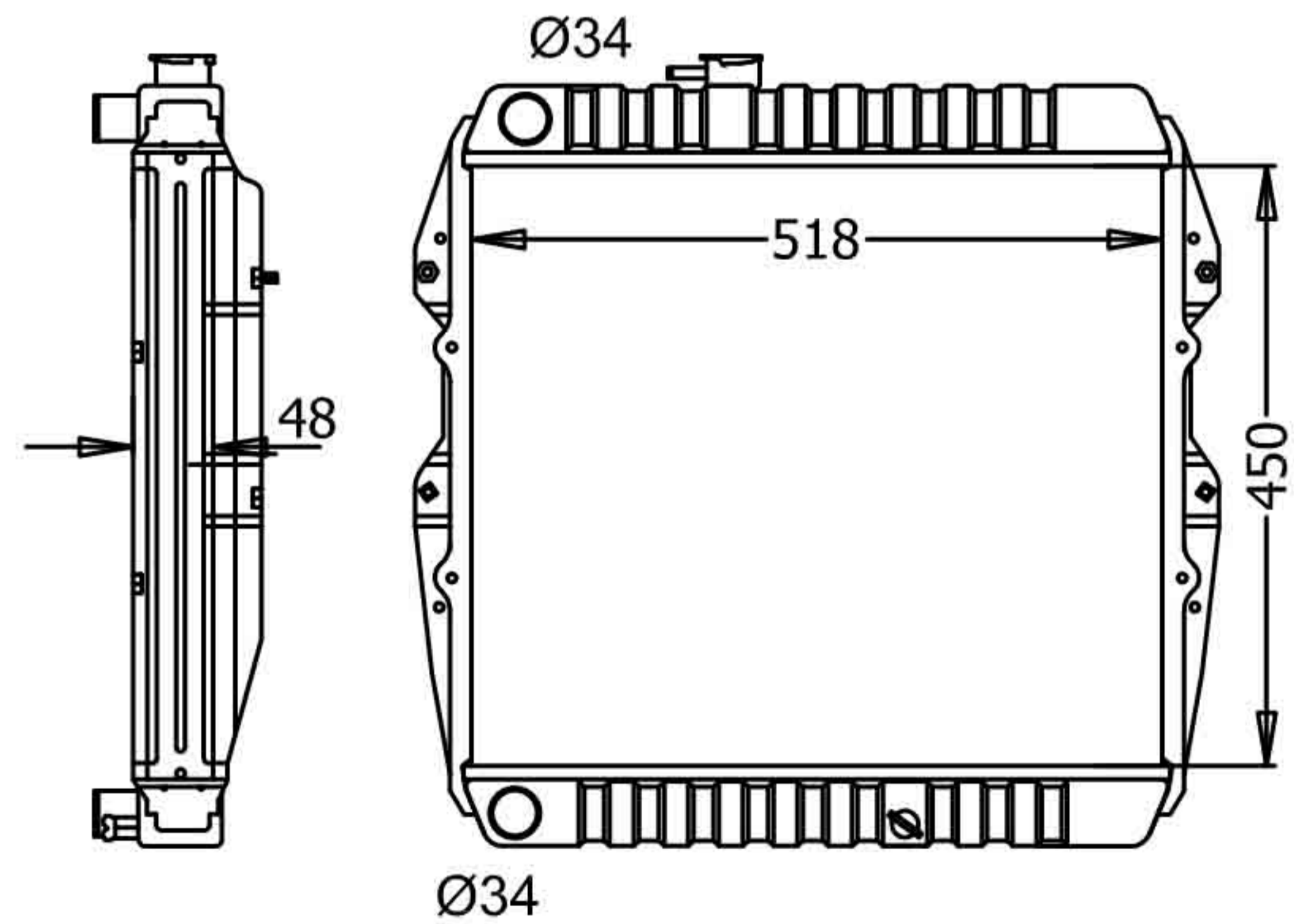
CARTYPE : LANDCRUISER (4.2)MAN '84-90(陆地巡洋舰) MT  
 CORE SIZE : BC:380×598×49/64 TANK SIZE : 616\*78.8  
 CARTON:  
 OEM :  
 DPI :

## TO-12095



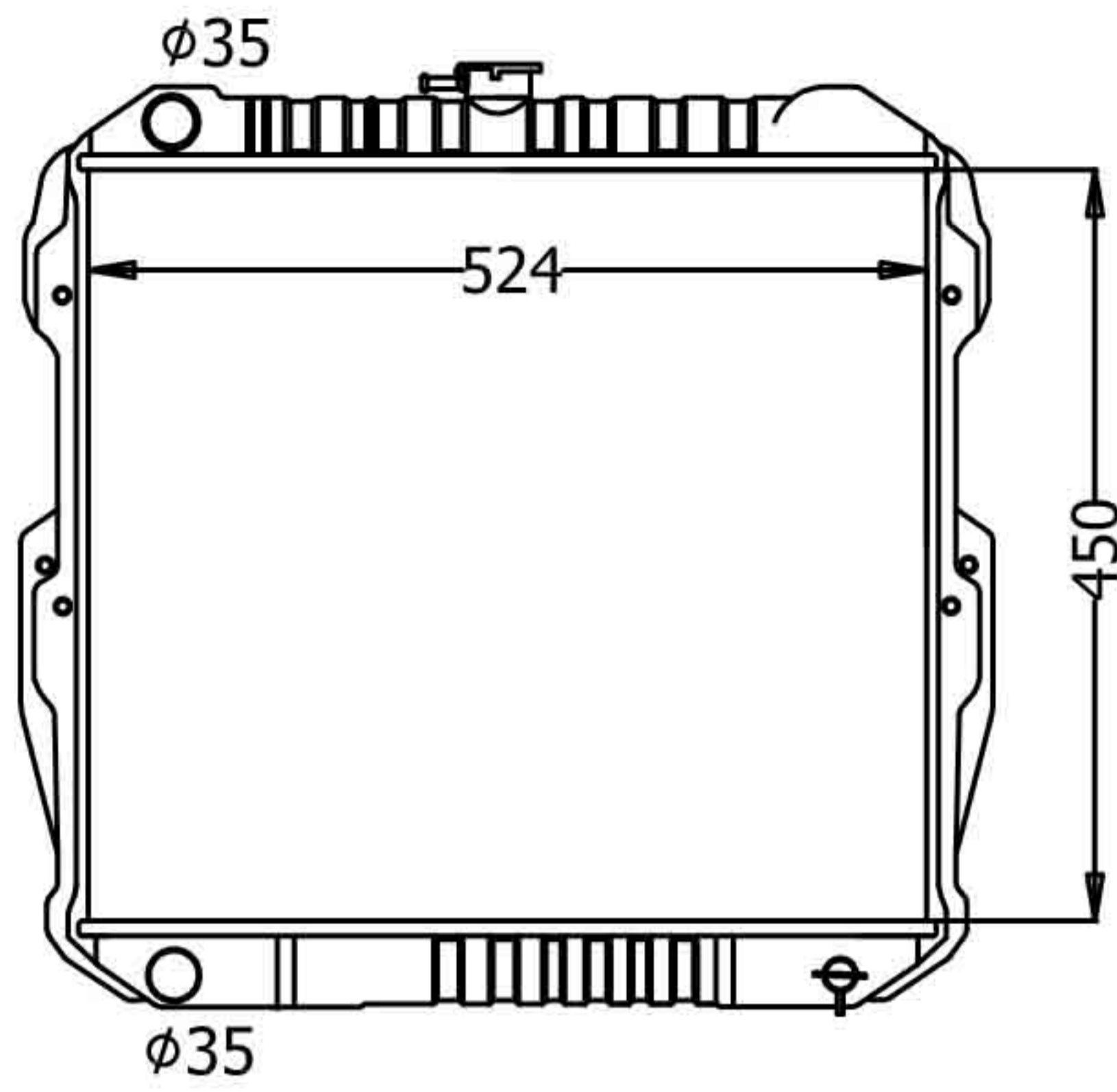
CARTYPE : LANDCRUISER (D) '80-84(陆地巡洋舰) MT  
 CORE SIZE : BC:435×490×49/64 TANK SIZE : 501.6\*78.8  
 CARTON:  
 OEM :  
 DPI :

## TO-12096



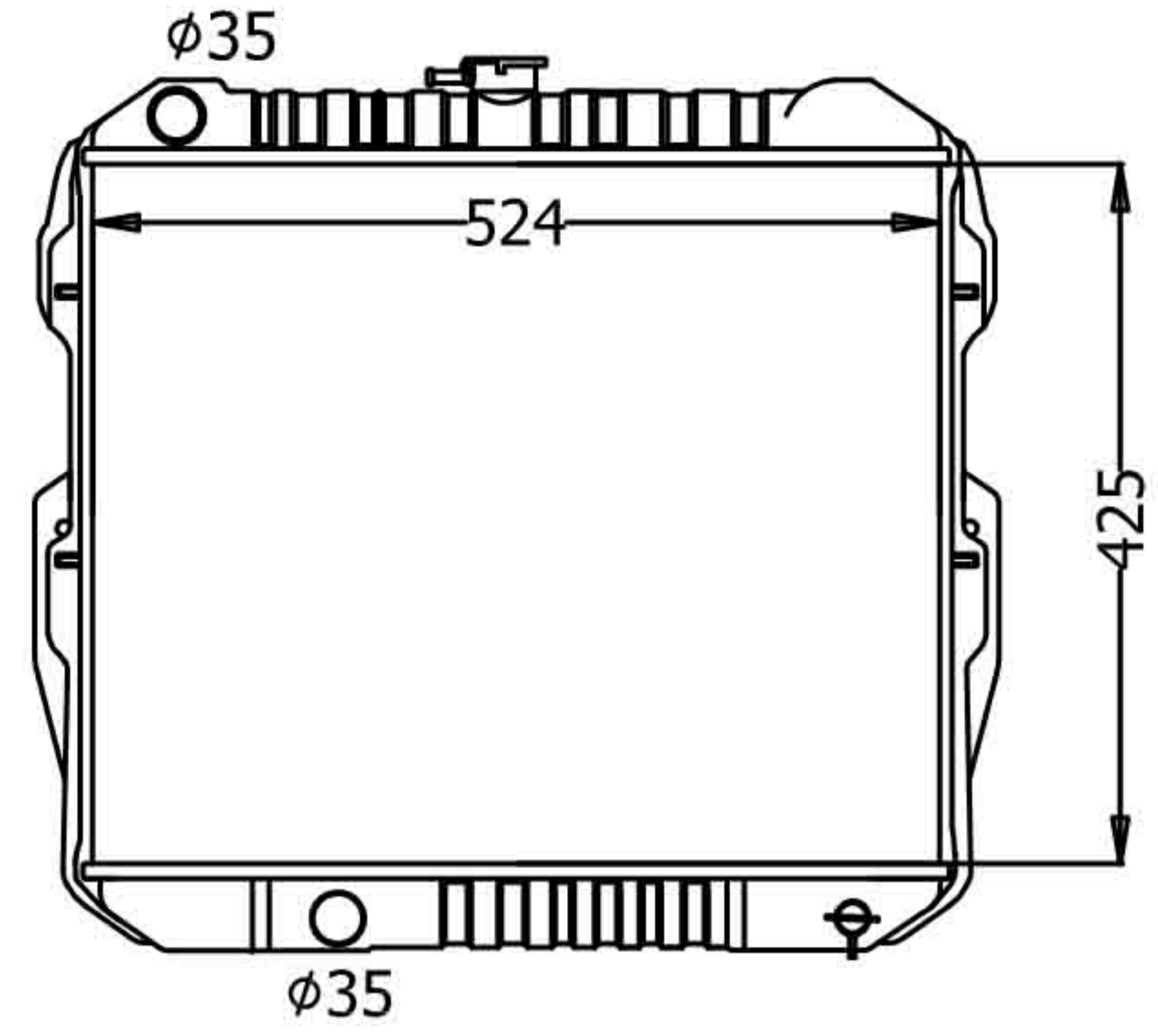
CARTYPE : TOYOTA LAND LJ79/LJ72 3L 92-93 MT  
 CORE SIZE : 450×518×48 TANK SIZE : 70/70\*530  
 CARTON:  
 OEM : 16400-54860/54861  
 DPI :

## TO-12097



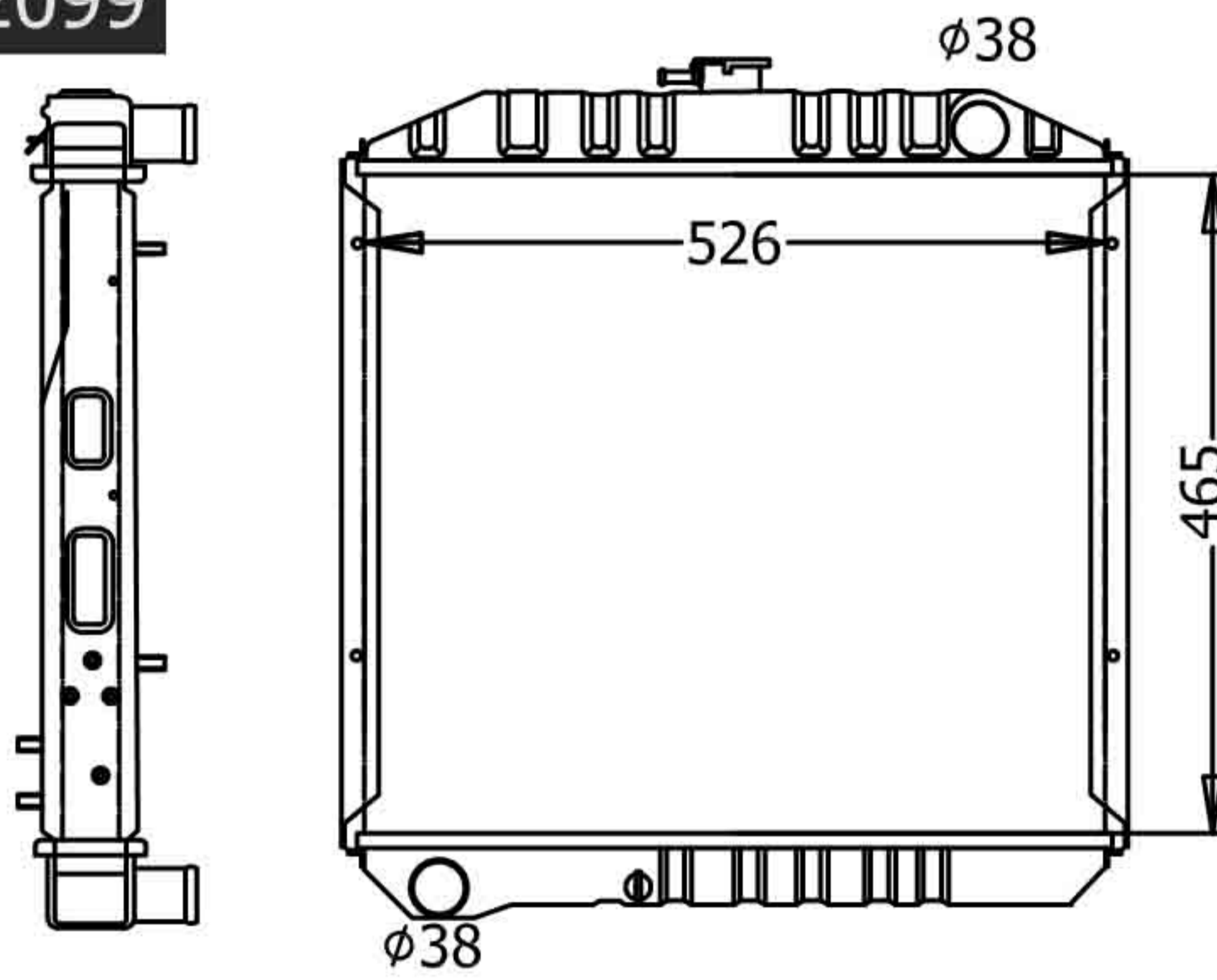
CARTYPE : TOYOTA HI-LUX 84- 2.4D/2L LN65 MT  
 CORE SIZE : BC: 450\*524\*48/32 TANK SIZE : 65/65\*528  
 CARTON:  
 OEM : 16400-54340  
 DPI :

## TO-12098



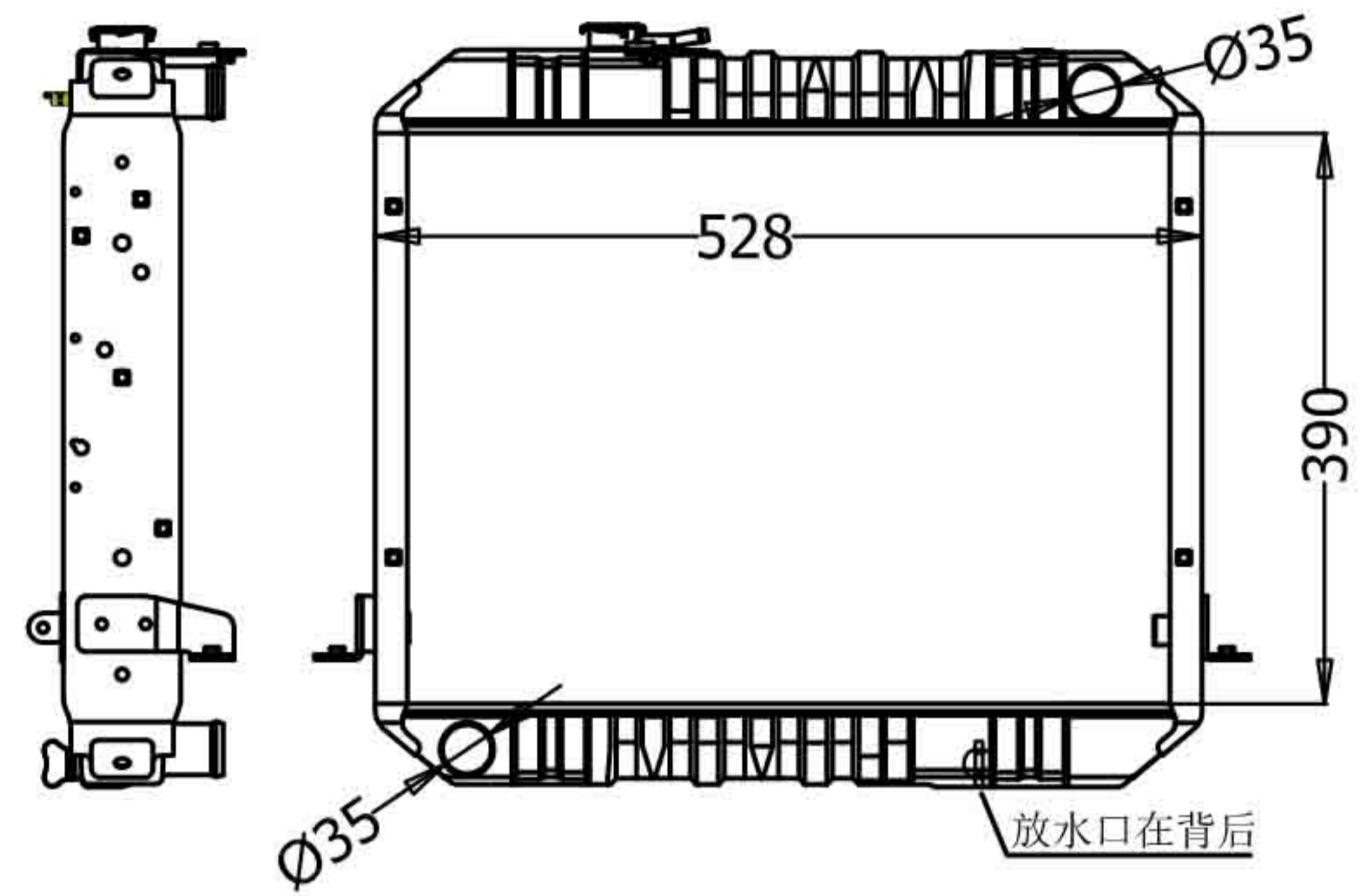
CARTYPE : HILUX 84- 2.4D/2L LN5# MT  
 CORE SIZE : BC: 425\*524\*48/32 TANK SIZE: 65/65\*528  
 CARTON:  
 OEM : 16400-54250  
 DPI :

## TO-12099



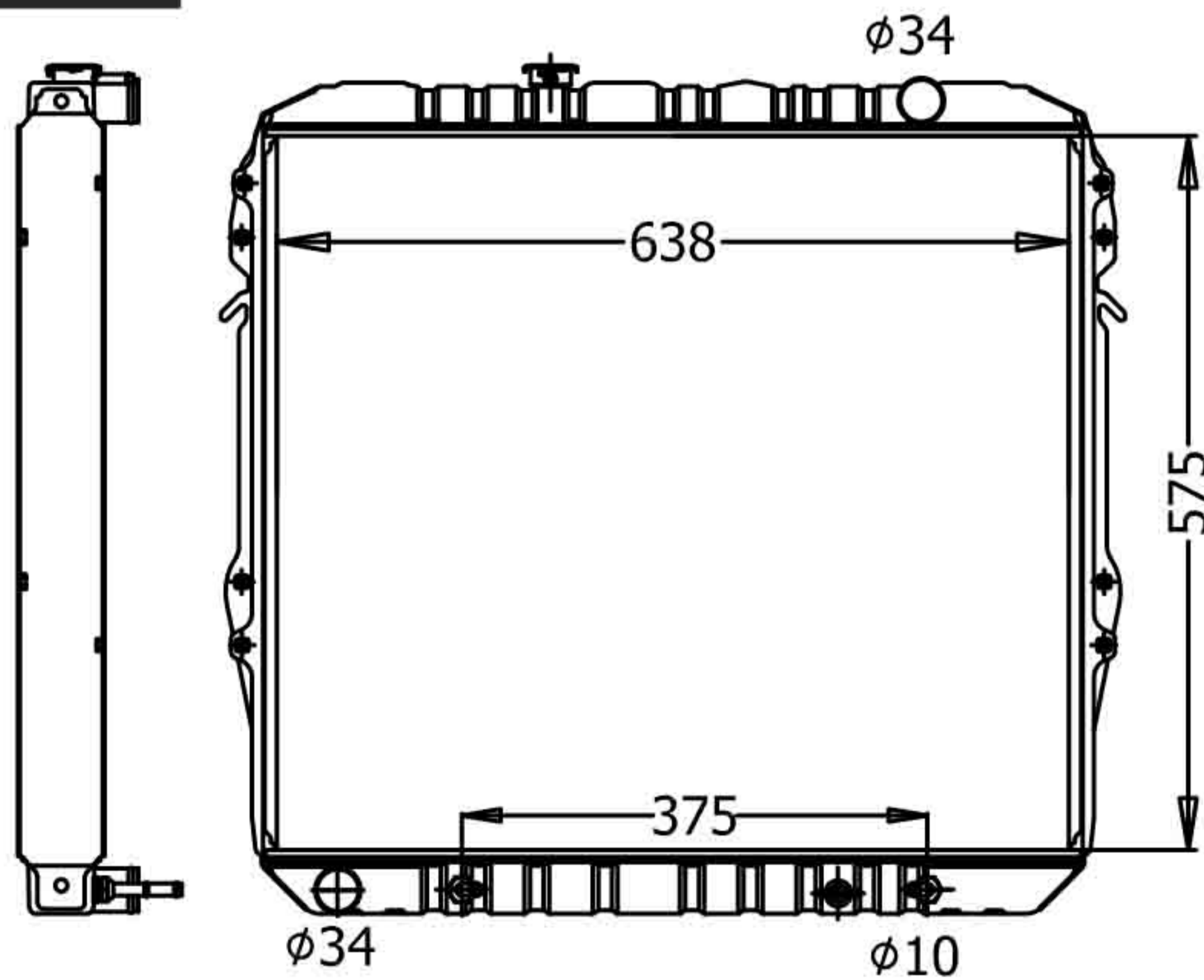
CARTYPE : BU89 3B BU84 11B DYNA250 BU65 88-92 MT  
 CORE SIZE : CB : 465×526×48 TANK SIZE :  
 CARTON:  
 OEM :  
 DPI :

## TO-12100



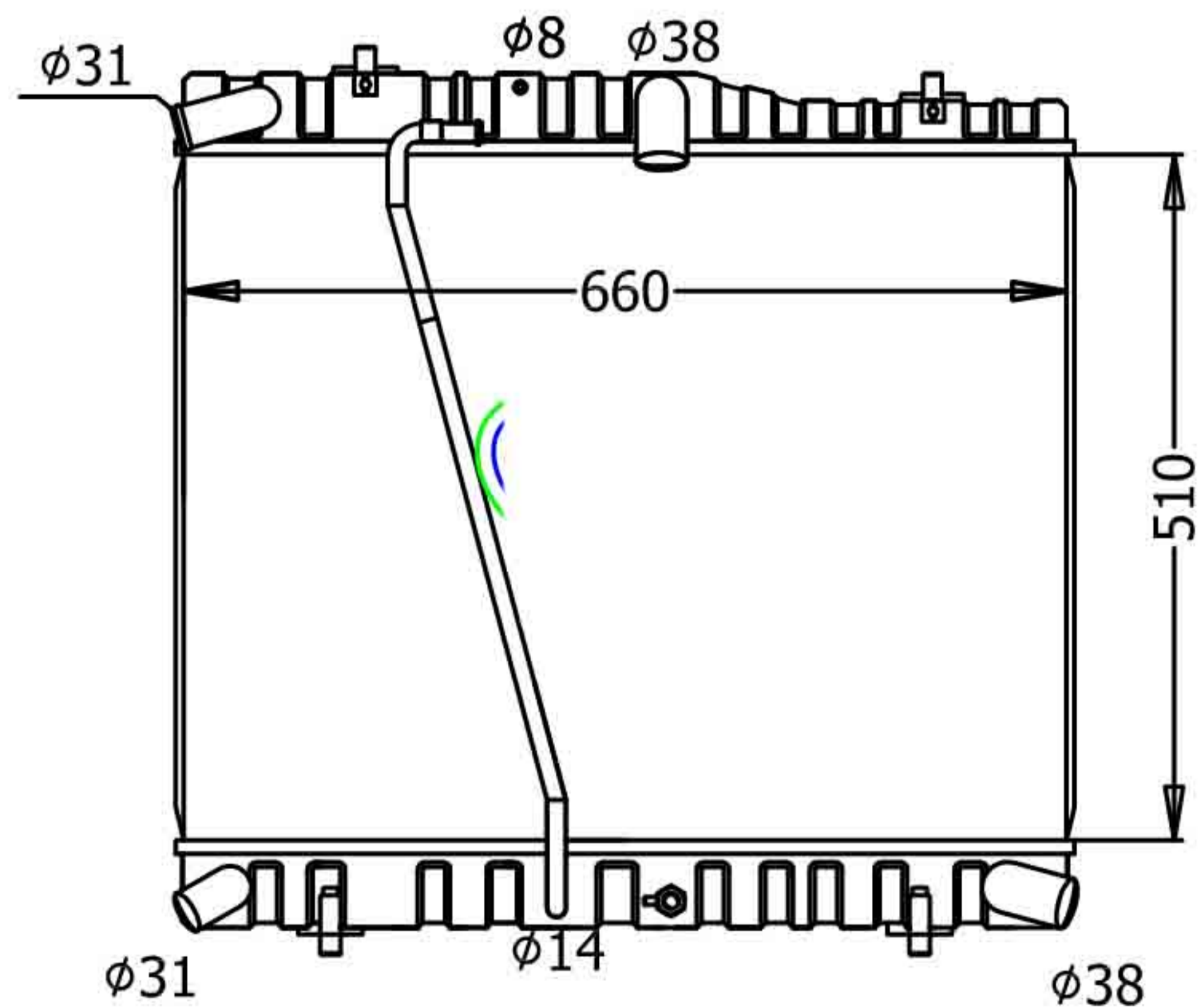
CARTYPE: HIACE(海狮)3Y MT  
 CORE SIZE: BC 390x528x49 TANK SIZE: 535\*65  
 CARTON:  
 OEM:  
 DPI:

## TO-12101



CARTYPE: PARADO'95-98 VZJ95 AT  
 CORE SIZE: BC 575\*638\*16/32 TANK SIZE: 48\*659.5  
 CARTON:  
 OEM: 16400-75180  
 DPI:1998

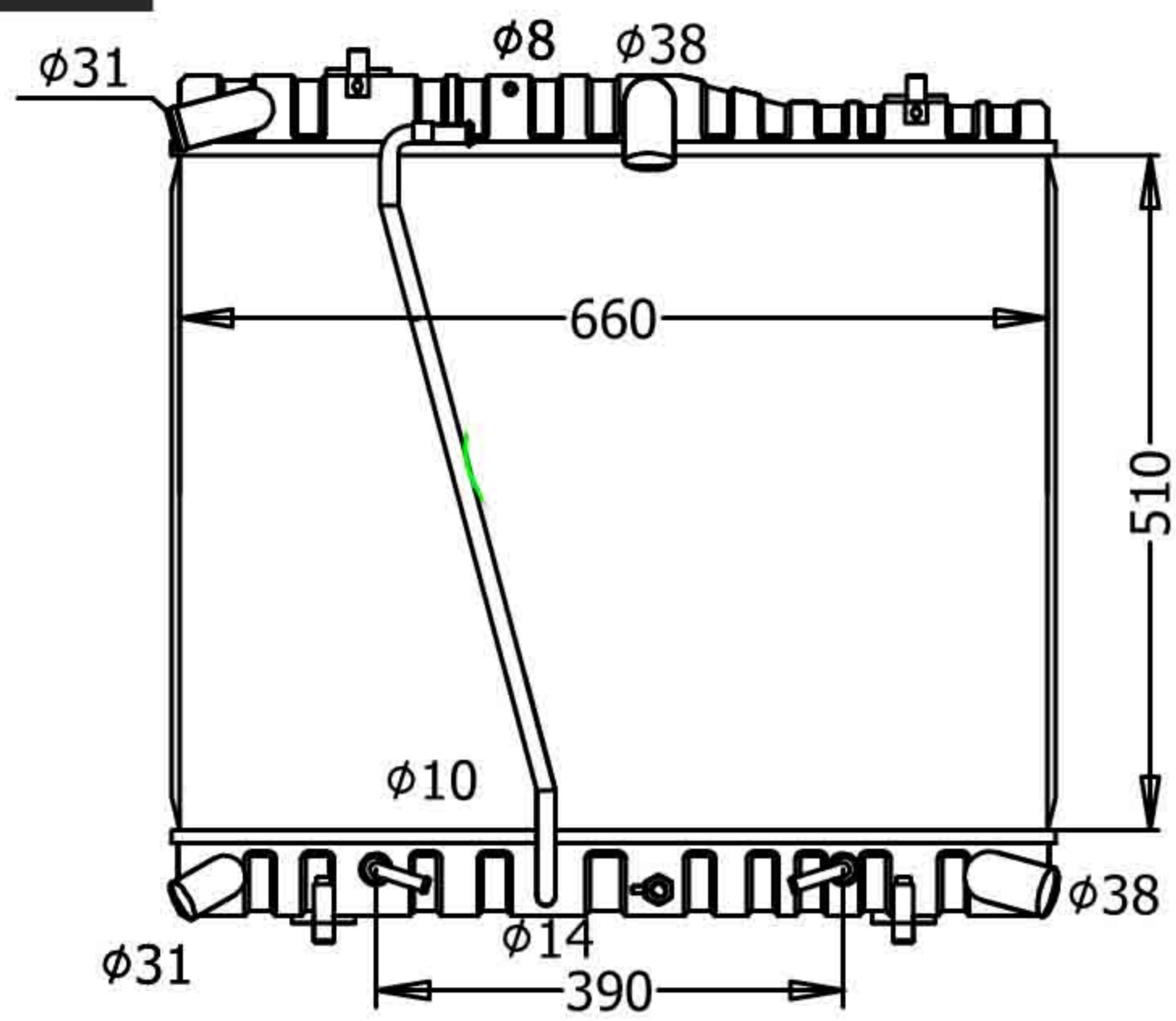
## TO-12102



CARTYPE : HIACE KR-KDH200K 2KD-FTV '04.08 MT  
 CORE SIZE : BC : 510×660×32/48 TANK SIZE:677\*57  
 CARTON:  
 OEM :  
 DPI :

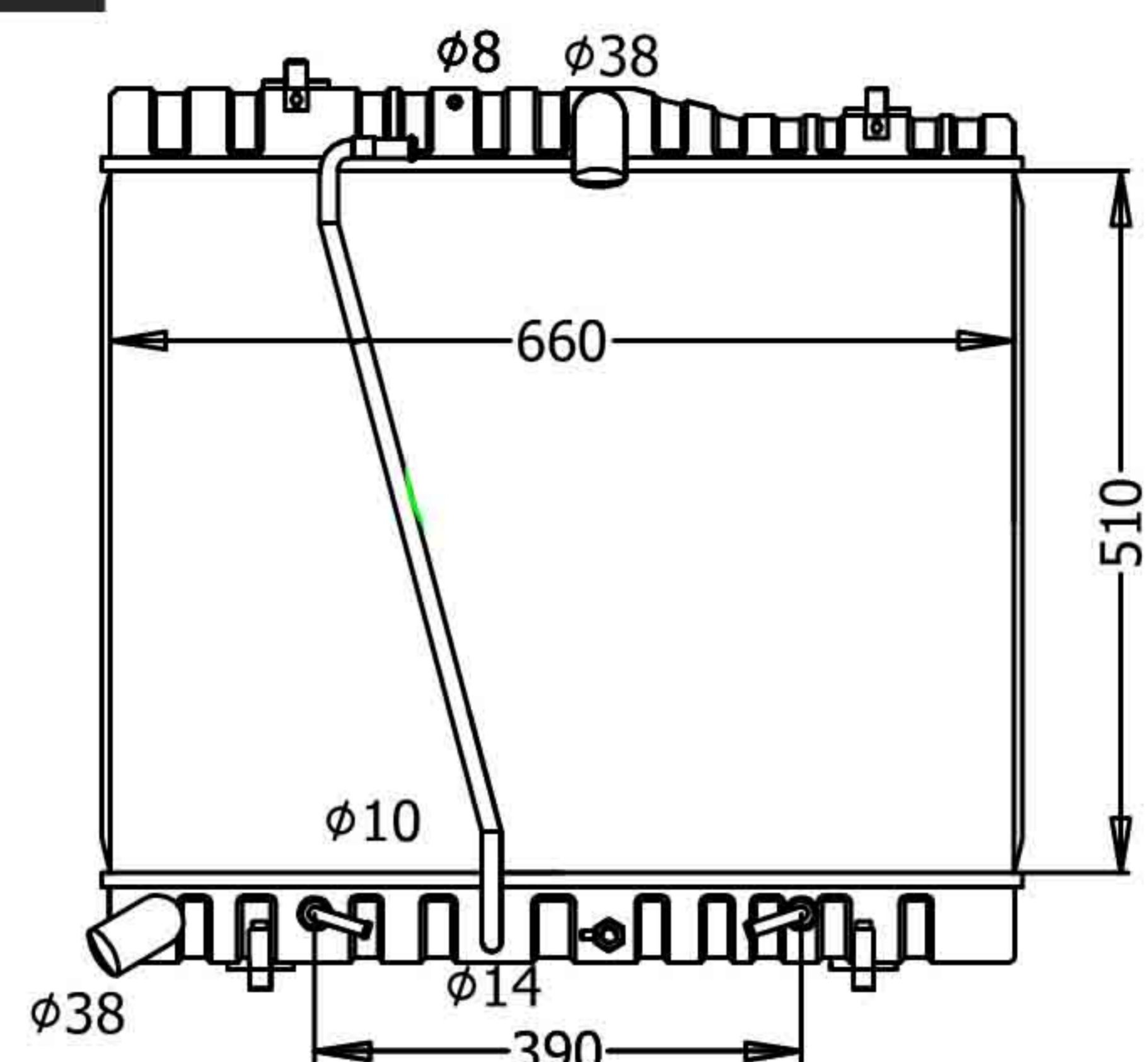
# TOYOTA

TO-12103



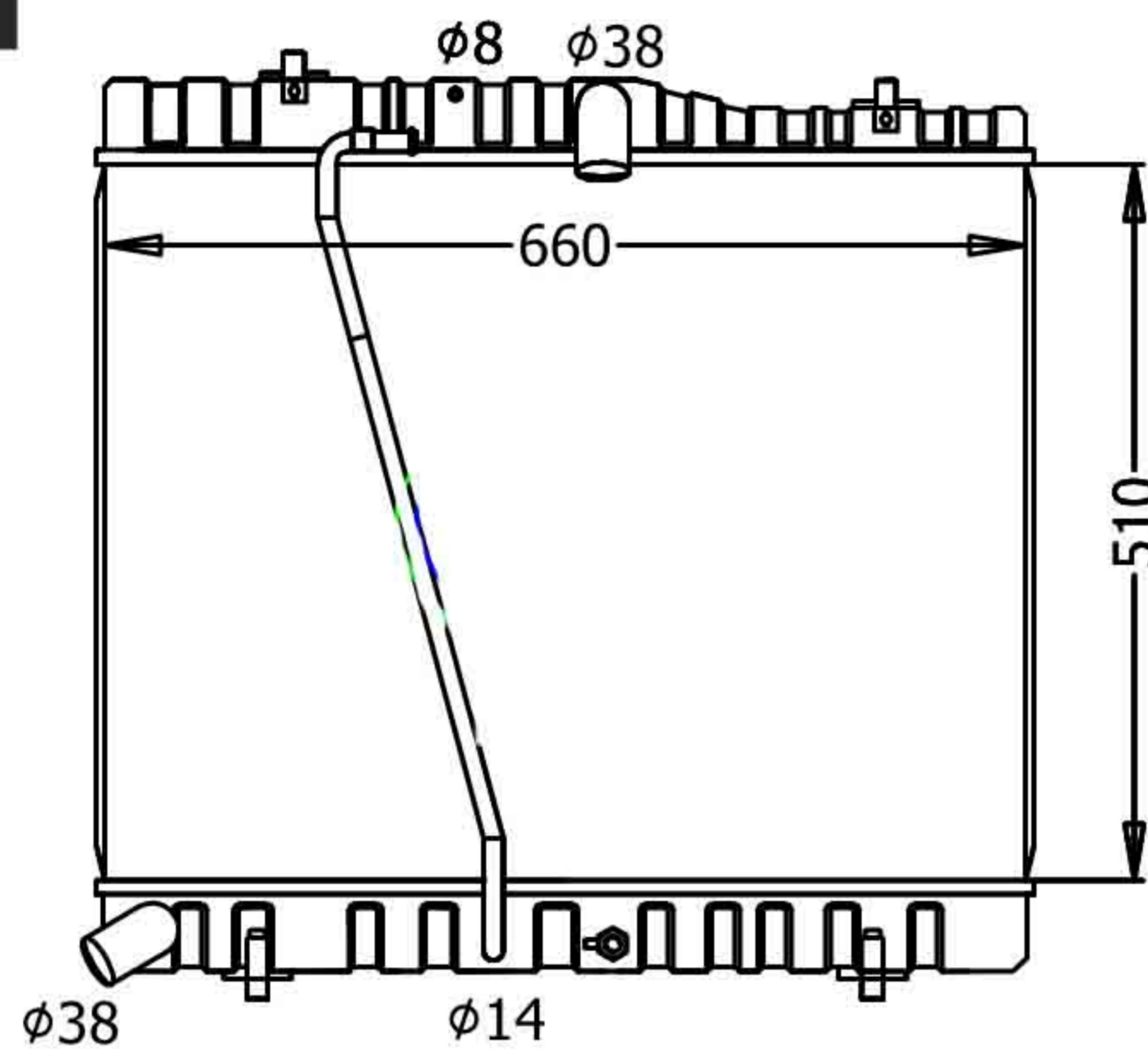
CARTYPE : HIACE KR-KDH200K 2KD-FTV '04.08(海獅) AT  
 CORE SIZE : BC : 510 × 660 × 32/48 TANK SIZE:677\*57  
 CARTON:  
 OEM :  
 DPI :

TO-12104



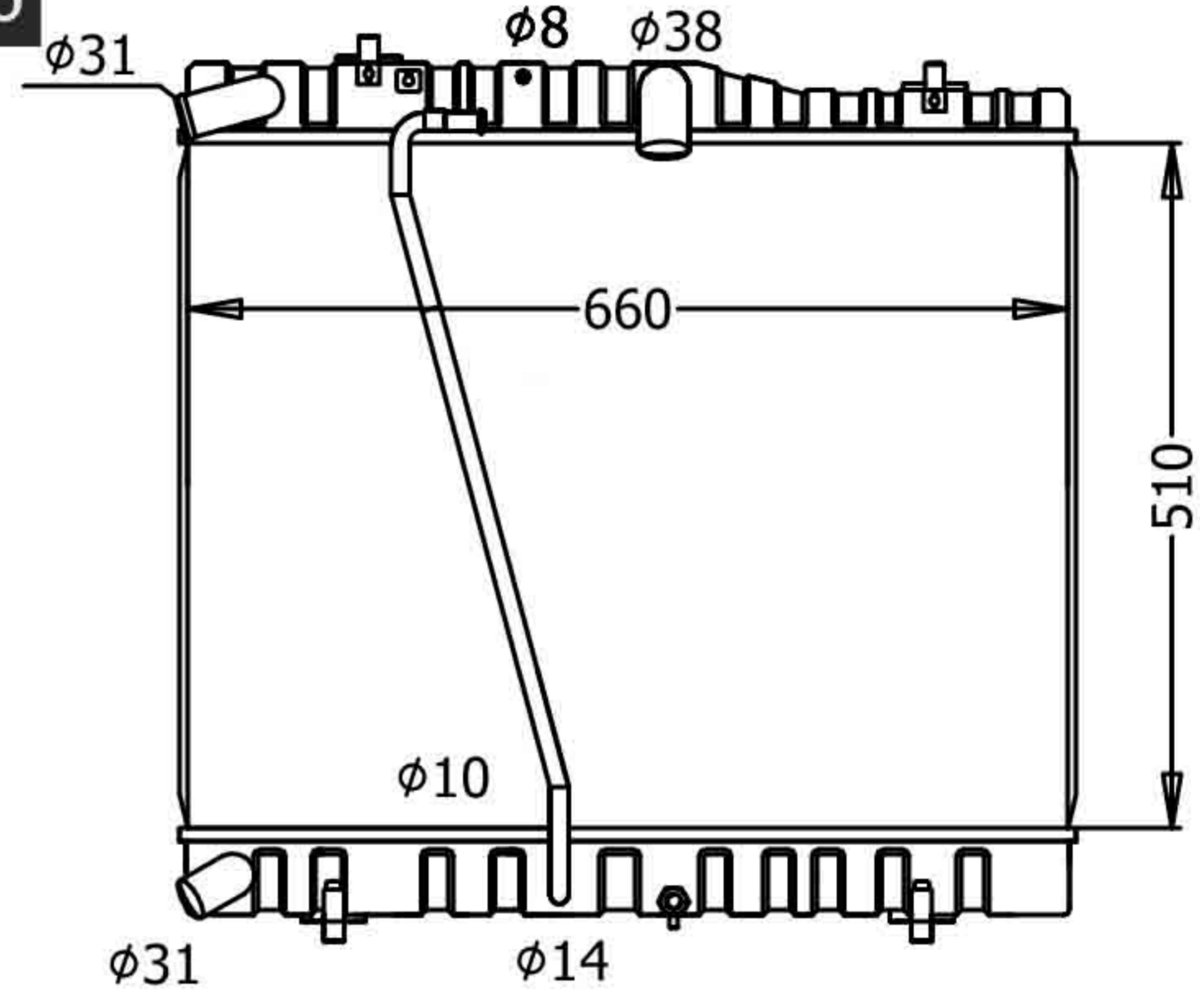
CARTYPE : HIACE CBA-TRH214W 2TR-FE '04.08 (海獅) AT  
 CORE SIZE : BC : 510 × 660 × 32/48 TANK SIZE:677\*57  
 CARTON:  
 OEM :  
 DPI :

TO-12105



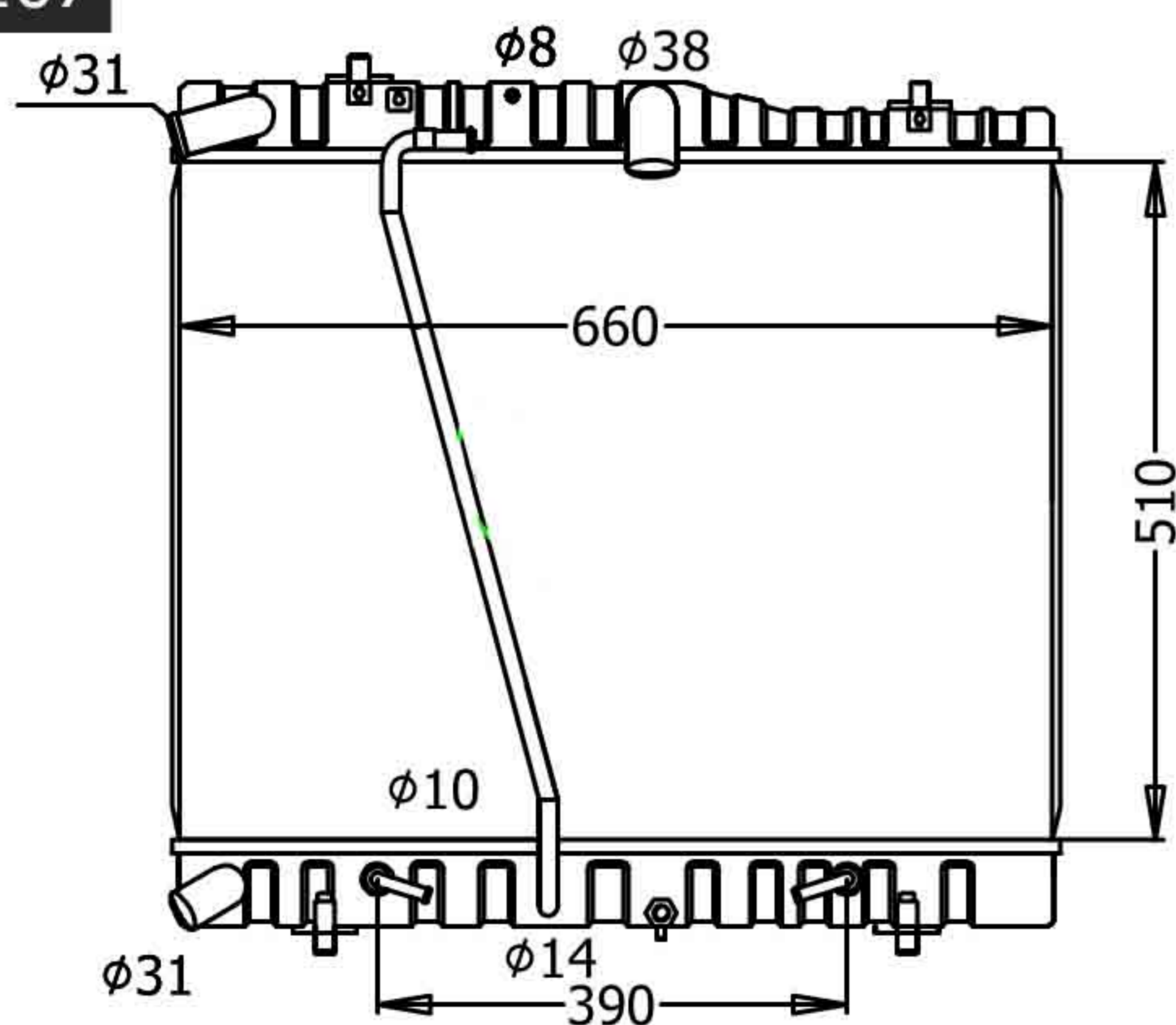
CARTYPE : HIACE CBF-TRH20K 1TR-FE '04.08 (海獅) MT  
 CORE SIZE : BC : 510 × 660 × 32/48 TANK SIZE:677\*57  
 CARTON:  
 OEM :  
 DPI :

TO-12106



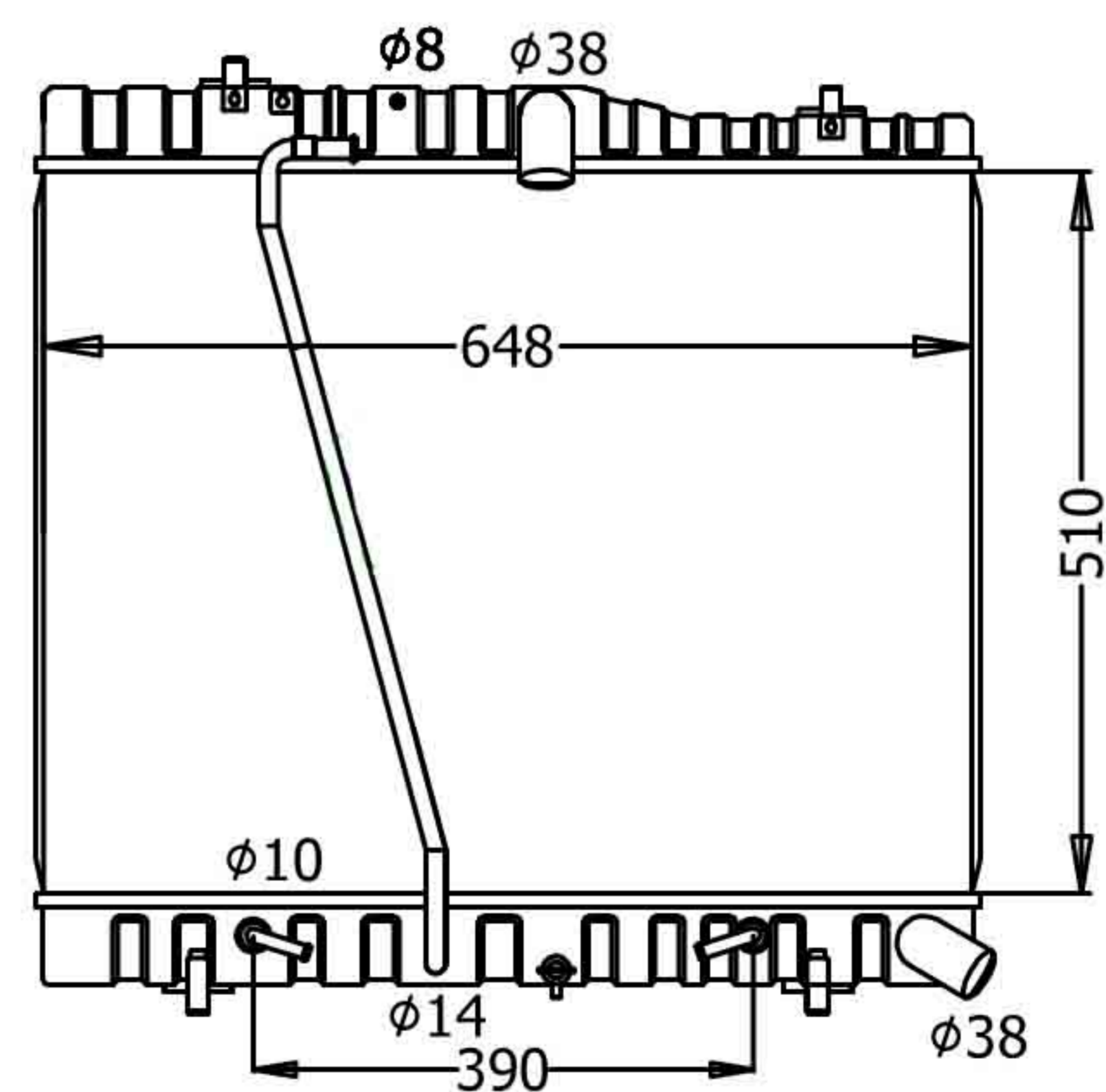
CARTYPE : HIACE -06 5L (海獅) MT  
 CORE SIZE : BC : 510 × 660 × 32/48 TANK SIZE:677\*57  
 CARTON:  
 OEM :  
 DPI :

TO-12107



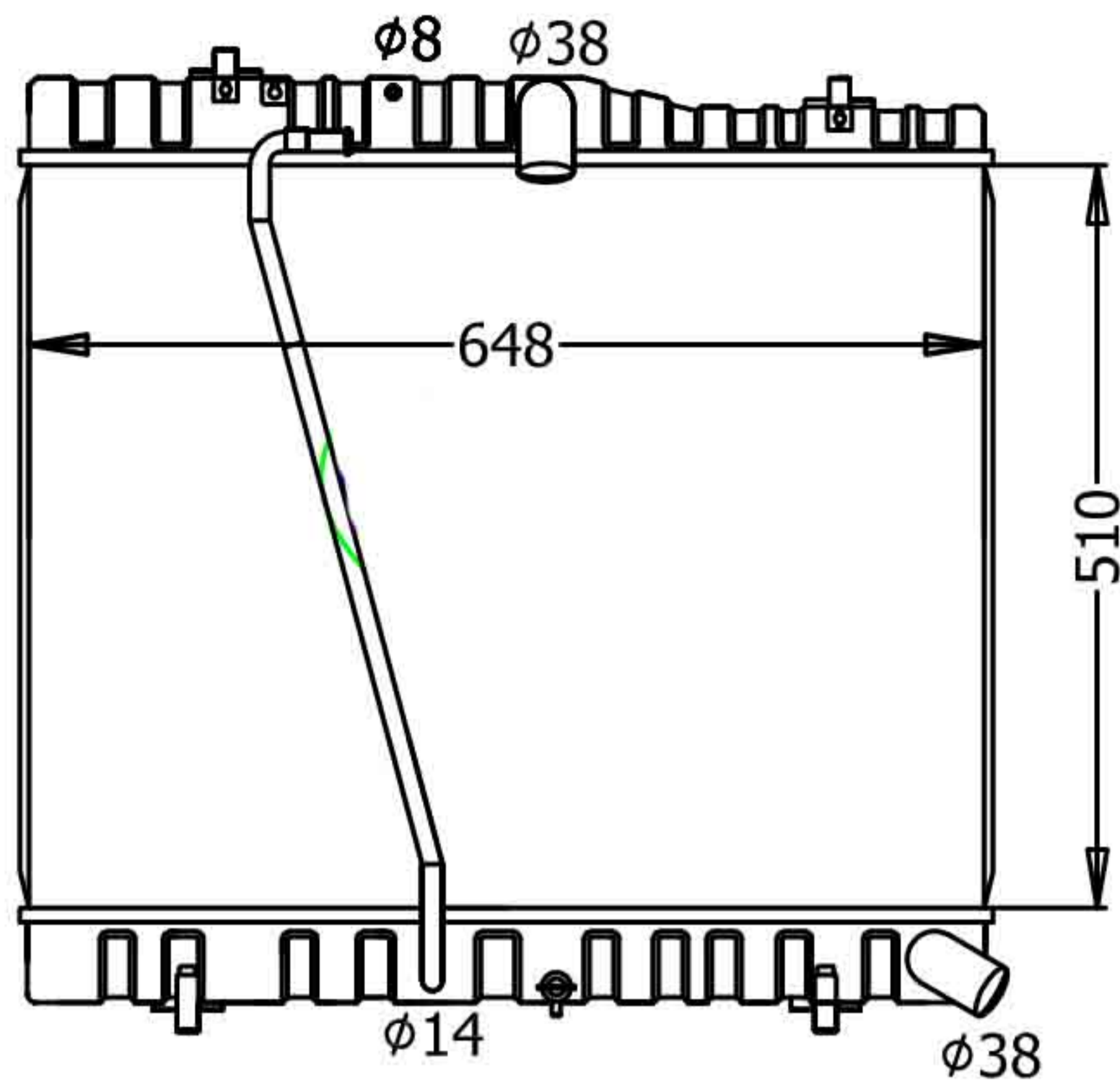
CARTYPE : HIACE -06 5L (海獅) AT  
 CORE SIZE : BC : 510 × 660 × 32/48 TANK SIZE:677\*57  
 CARTON:  
 OEM :  
 DPI :

TO-12108



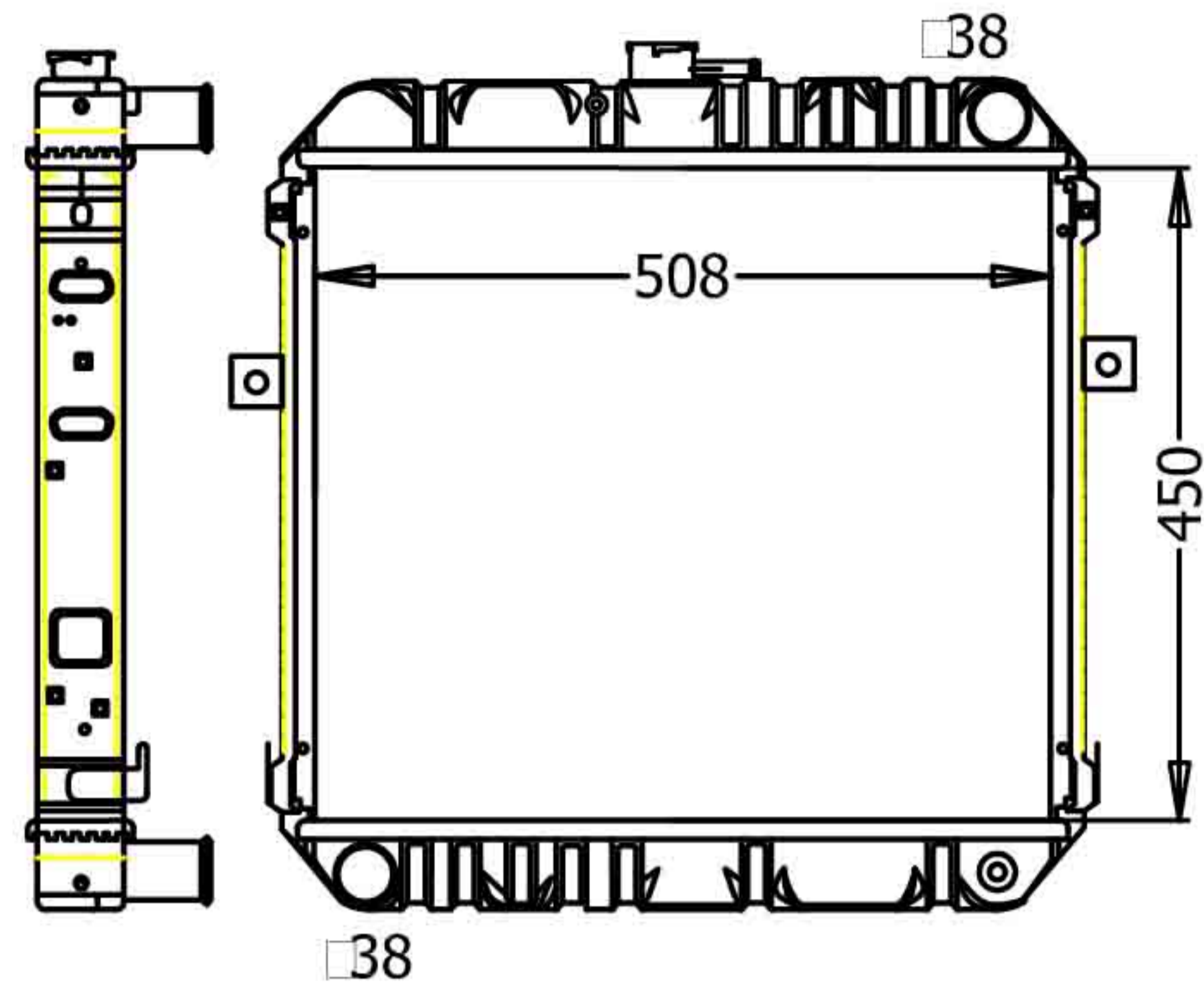
CARTYPE : HIACE 2K(G) 05- (海獅) AT  
 CORE SIZE : BC : 510\*648\*32/48 TANK SIZE:57\*676  
 CARTON:  
 OEM :  
 DPI :

## TO-12109



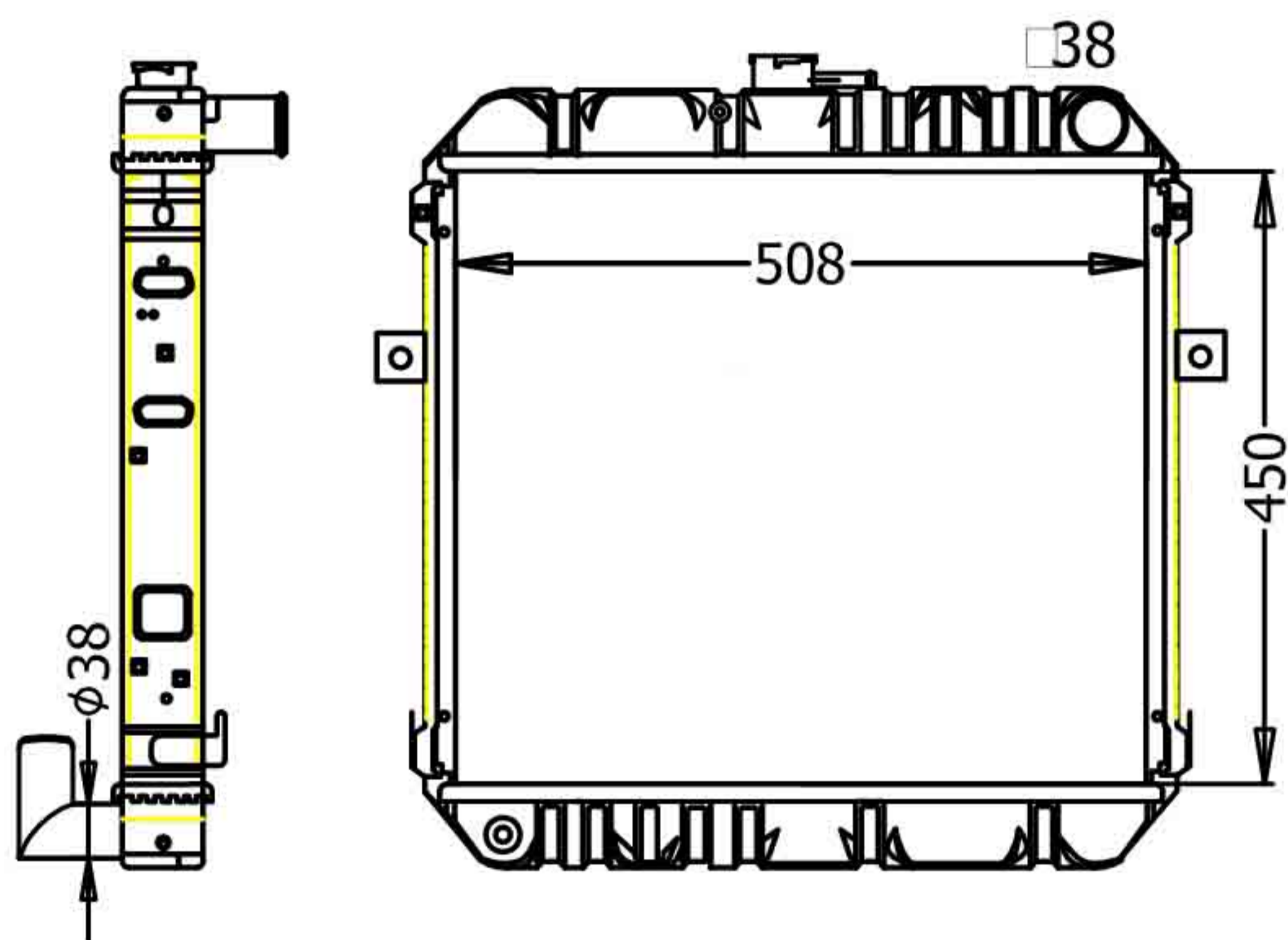
CARTYPE : HIACE 2K(G) 05- MT  
 CORE SIZE : BC : 510\*648\*32/48 TANK SIZE:57\*676  
 CARTON:  
 OEM :  
 DPI :

## TO-12110



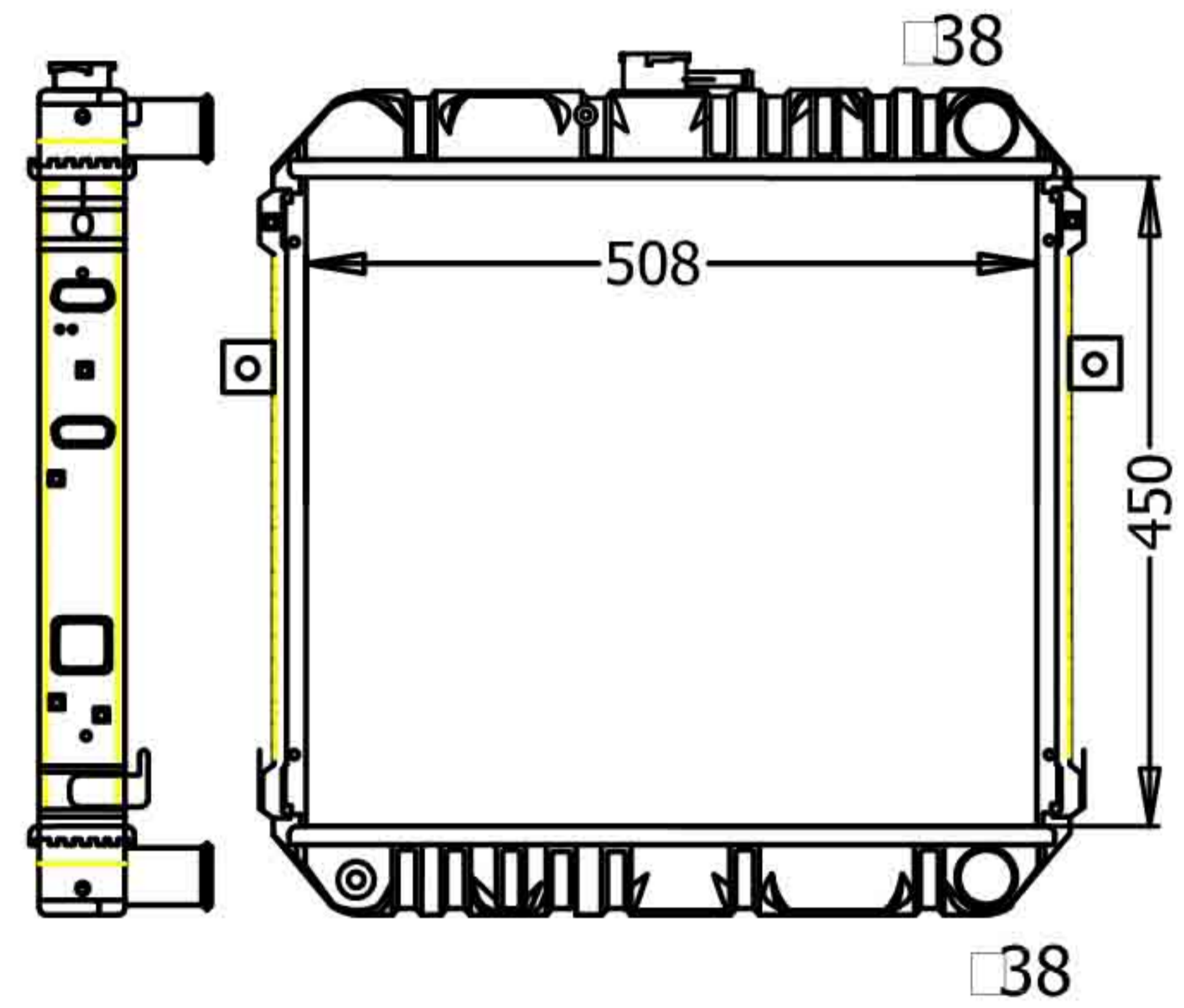
CARTYPE : DAIHATSU Delta DV58/DV99 95- MT  
 CORE SIZE : BC : 450 × 508 × 48 TANK SIZE : 59/59\*528  
 CARTON:  
 OEM :  
 DPI :

## TO-12111



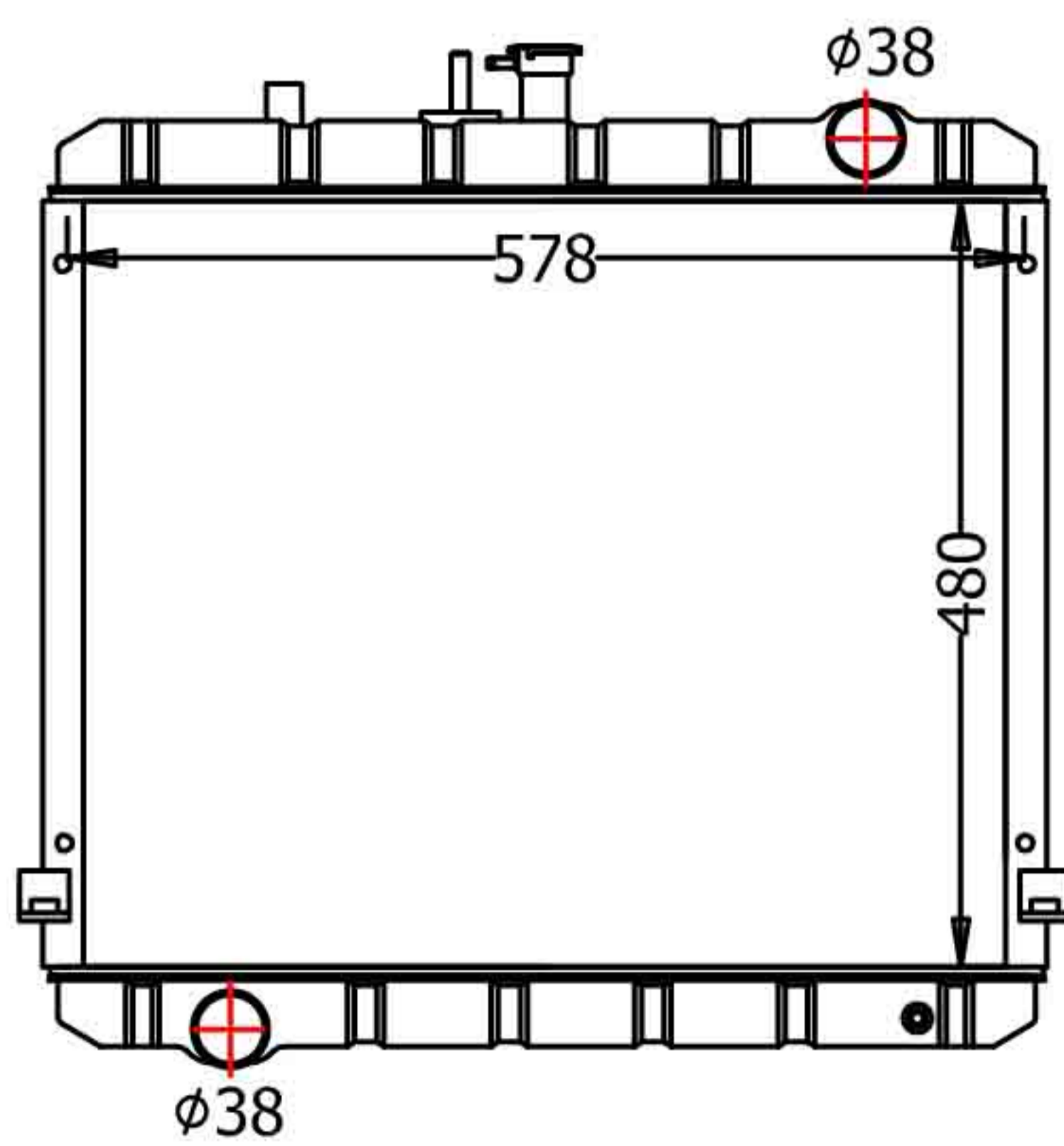
CARTYPE : DAIHATSU Ddelta DV58/DV99 95- MT  
 CORE SIZE : BC : 450\*508\*48 TANK SIZE : 59/59\*528  
 CARTON:  
 OEM :  
 DPI :

## TO-12112



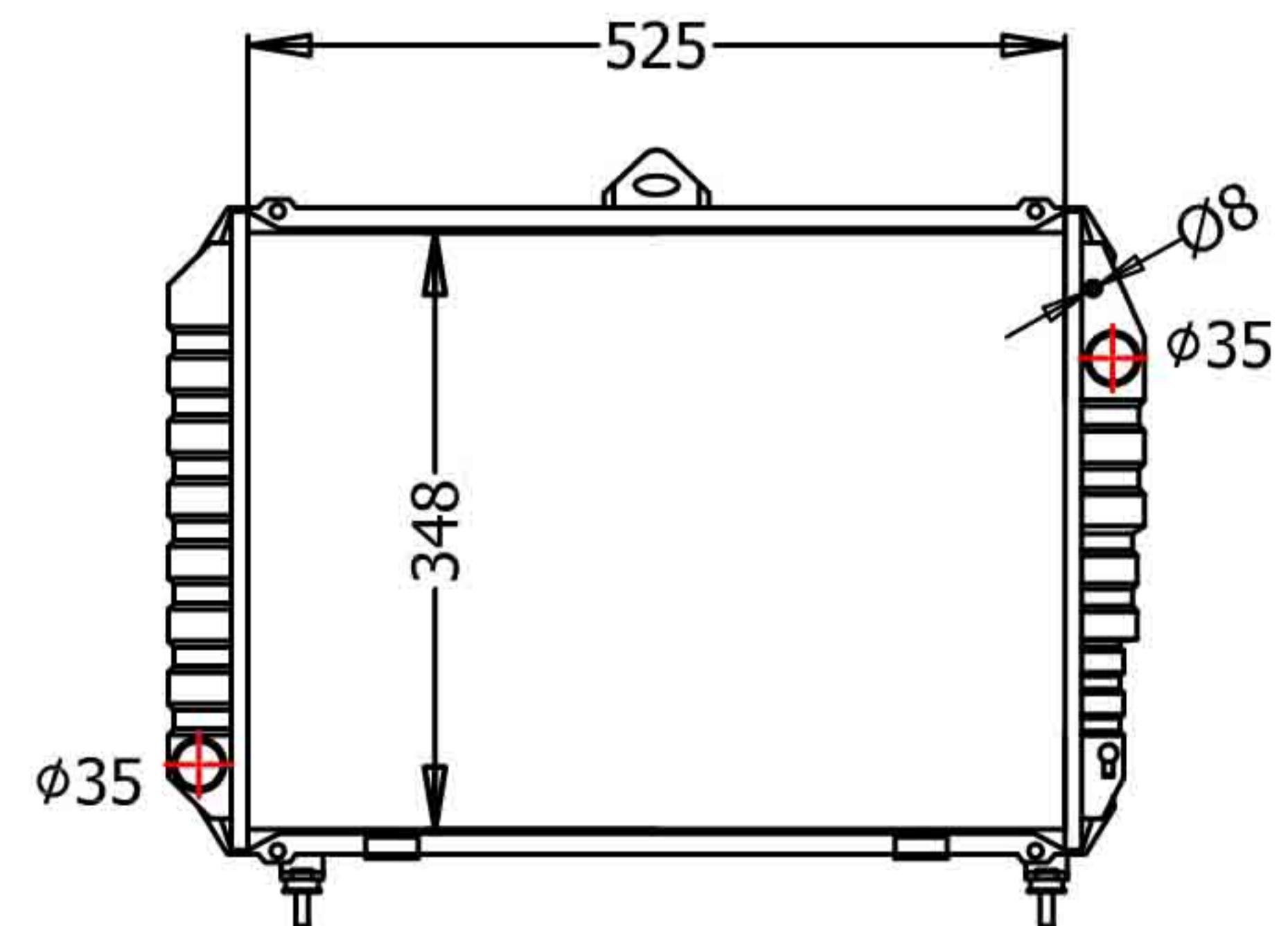
CARTYPE : DAIHATSU Delta DV/58/DV58/DV99 95- MT  
 CORE SIZE : BC : 450\*508\*48 TANK SIZE : 59/59\*528  
 CARTON:  
 OEM :  
 DPI :

## TO-12113



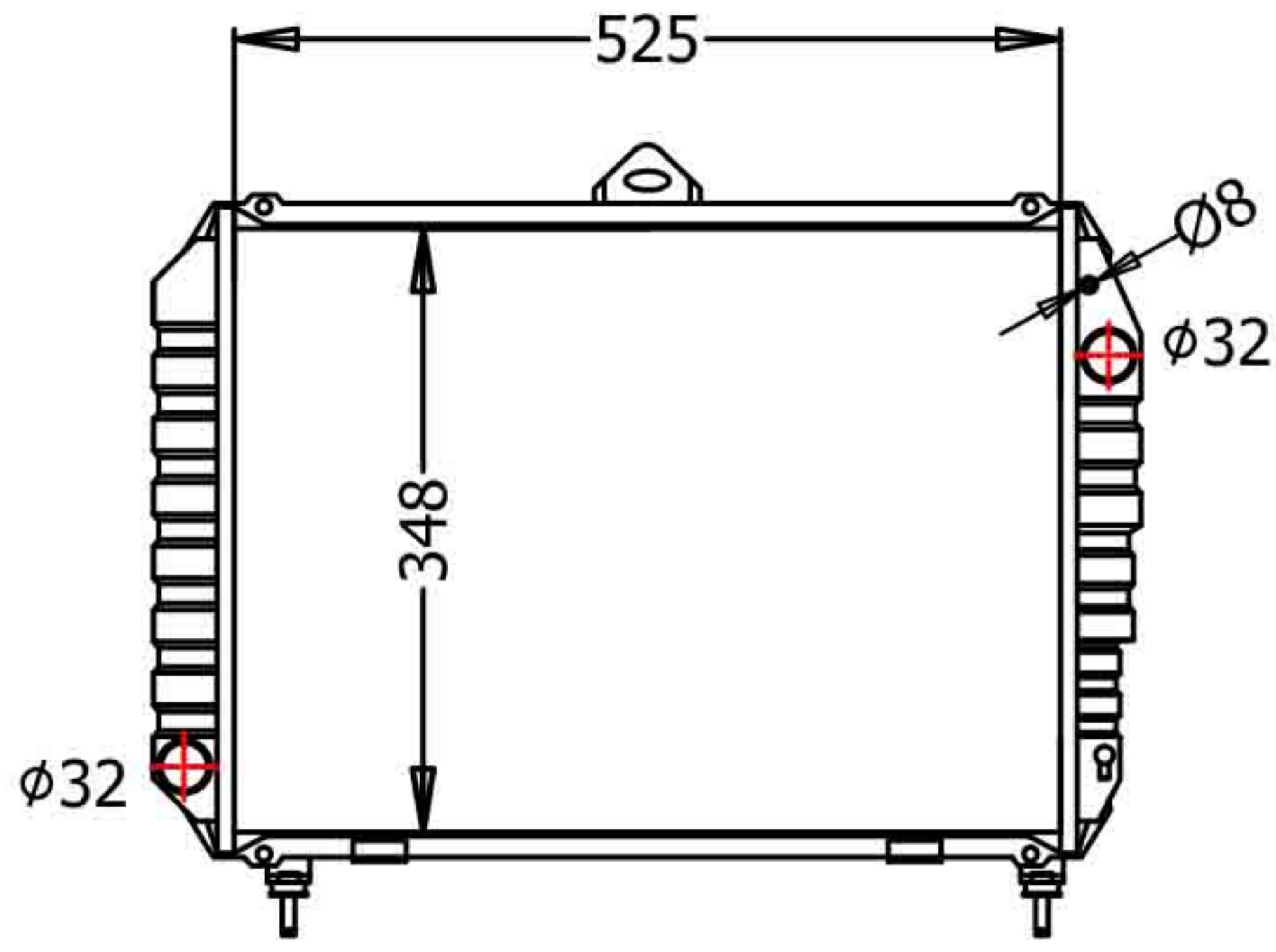
CARTYPE : DYNA200 14B BU85 BU88 BU91 3.7L MT  
 CORE SIZE : BC : 480 × 578 × 48 TANK SIZE : 57/57\*638  
 CARTON:  
 OEM :  
 DPI :

## TO-12114



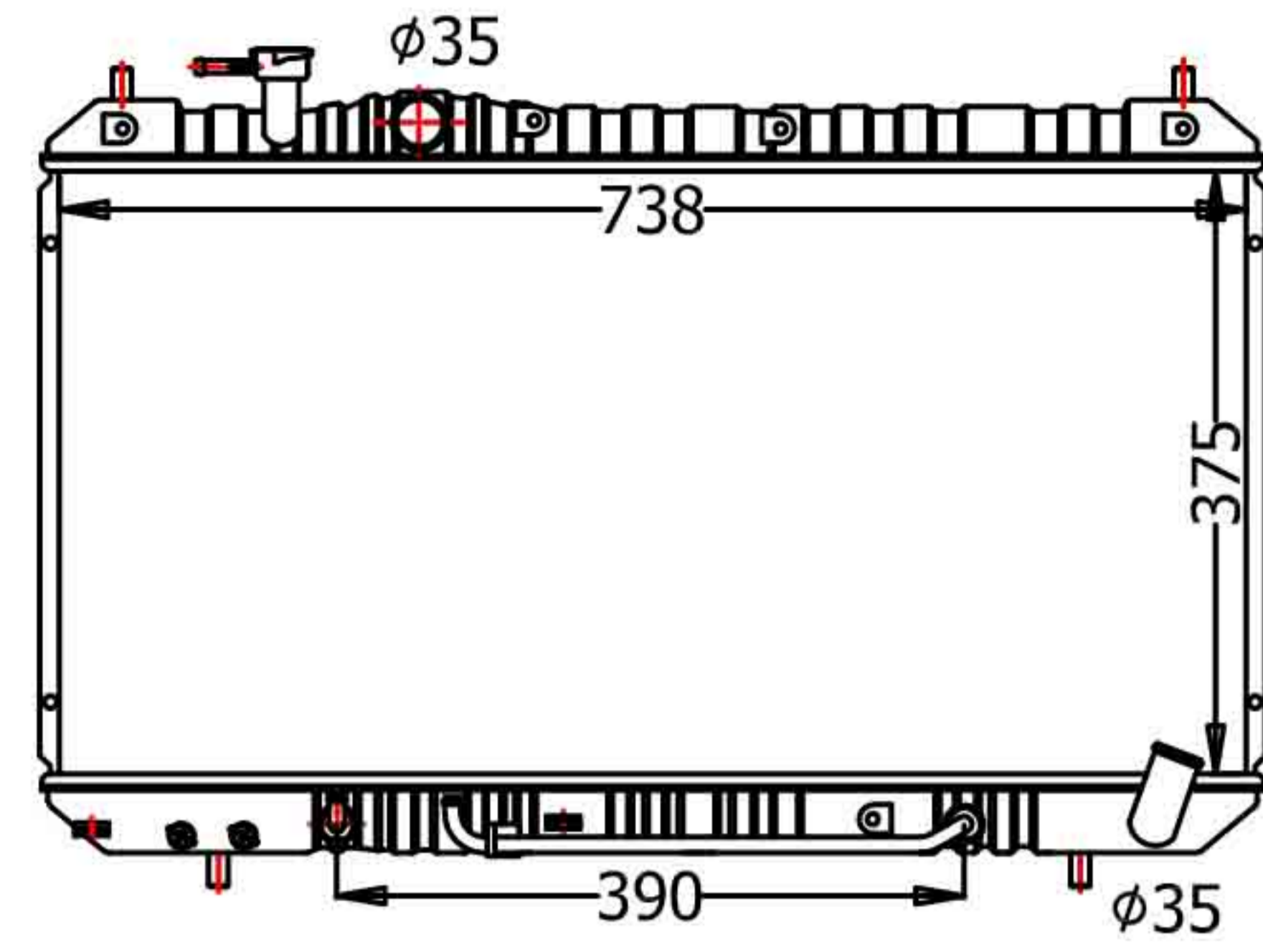
CARTYPE : TOWNACE LITEACE MTM  
 CORE SIZE : BC : 525 × 348 × 32 TANK SIZE:  
 CARTON:  
 OEM : 16400-13380  
 DPI :

## TO-12115



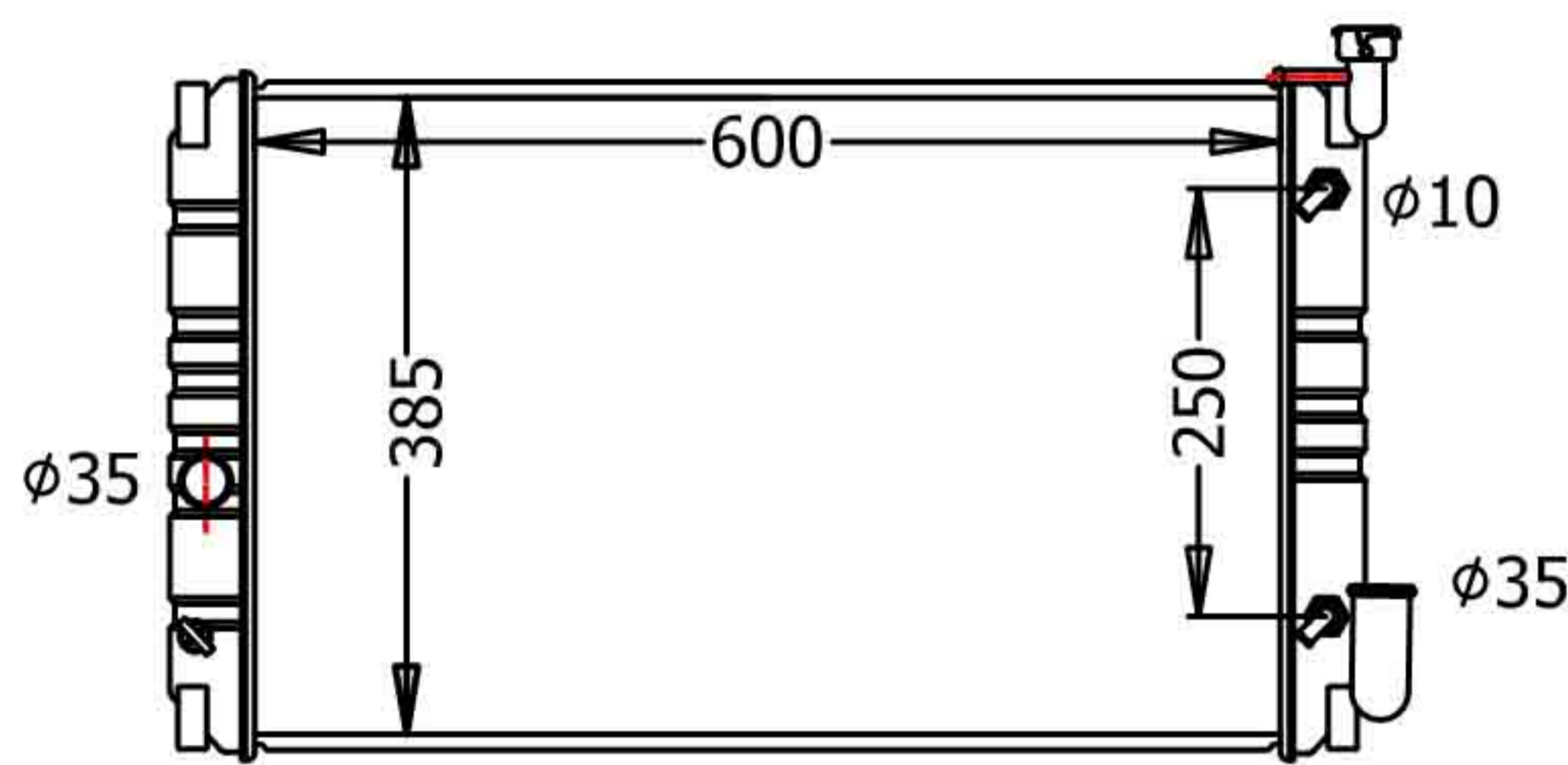
CARTYPE : TOWNACE LITEACE MTM  
 CORE SIZE : BC : 525×348×26 TANK SIZE:  
 CORE SIZE : 525×348×32  
 OEM : 16400-13380  
 DPI :

## TO-12116



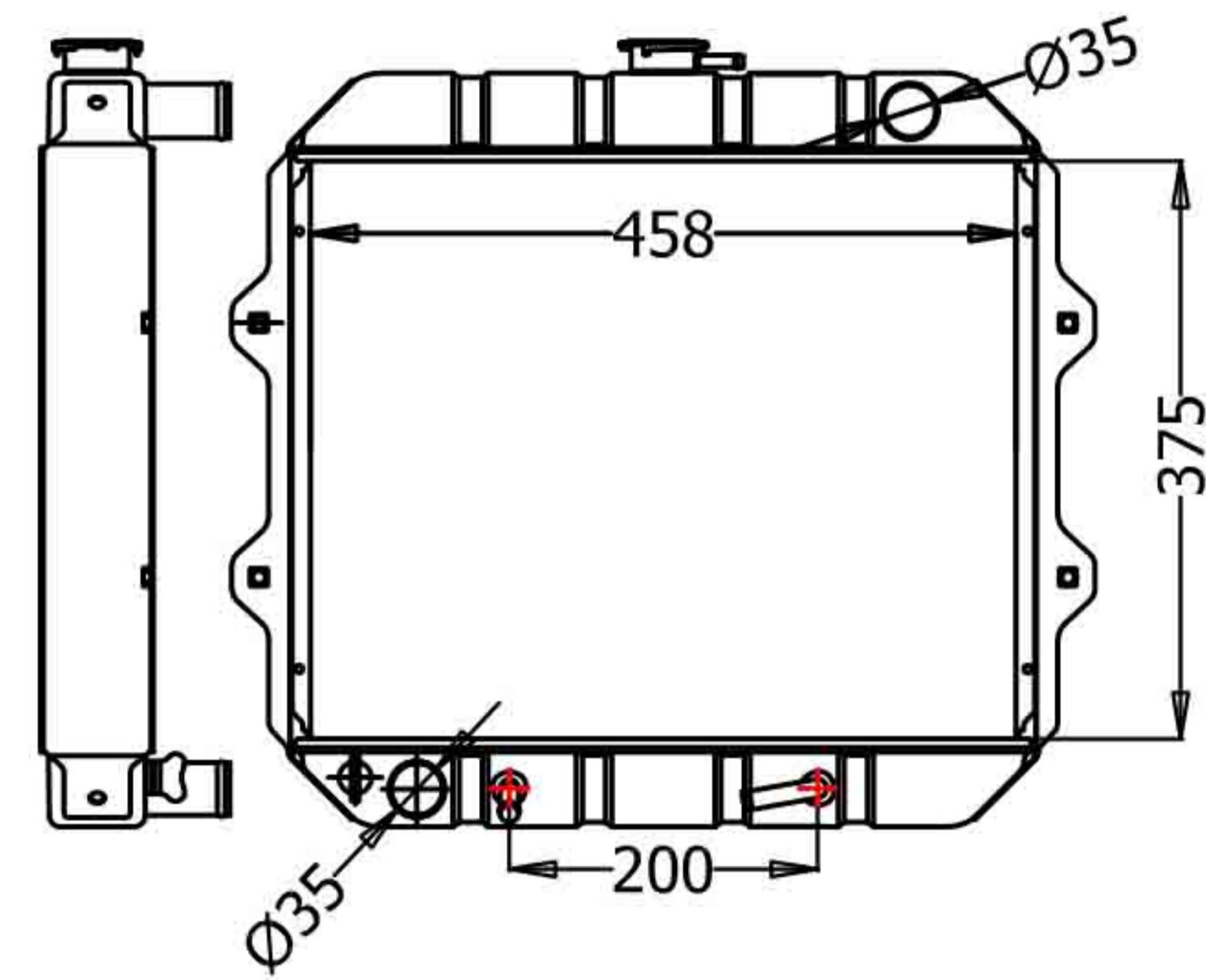
CARTYPE : RAV4/ACA'2003 ATM  
 CORE SIZE : BC : 375×738×32 TANK SIZE :50\*755  
 CORTON:  
 OEM : 16400-28180/28182/28140  
 DPI : 2403

## TO-12117



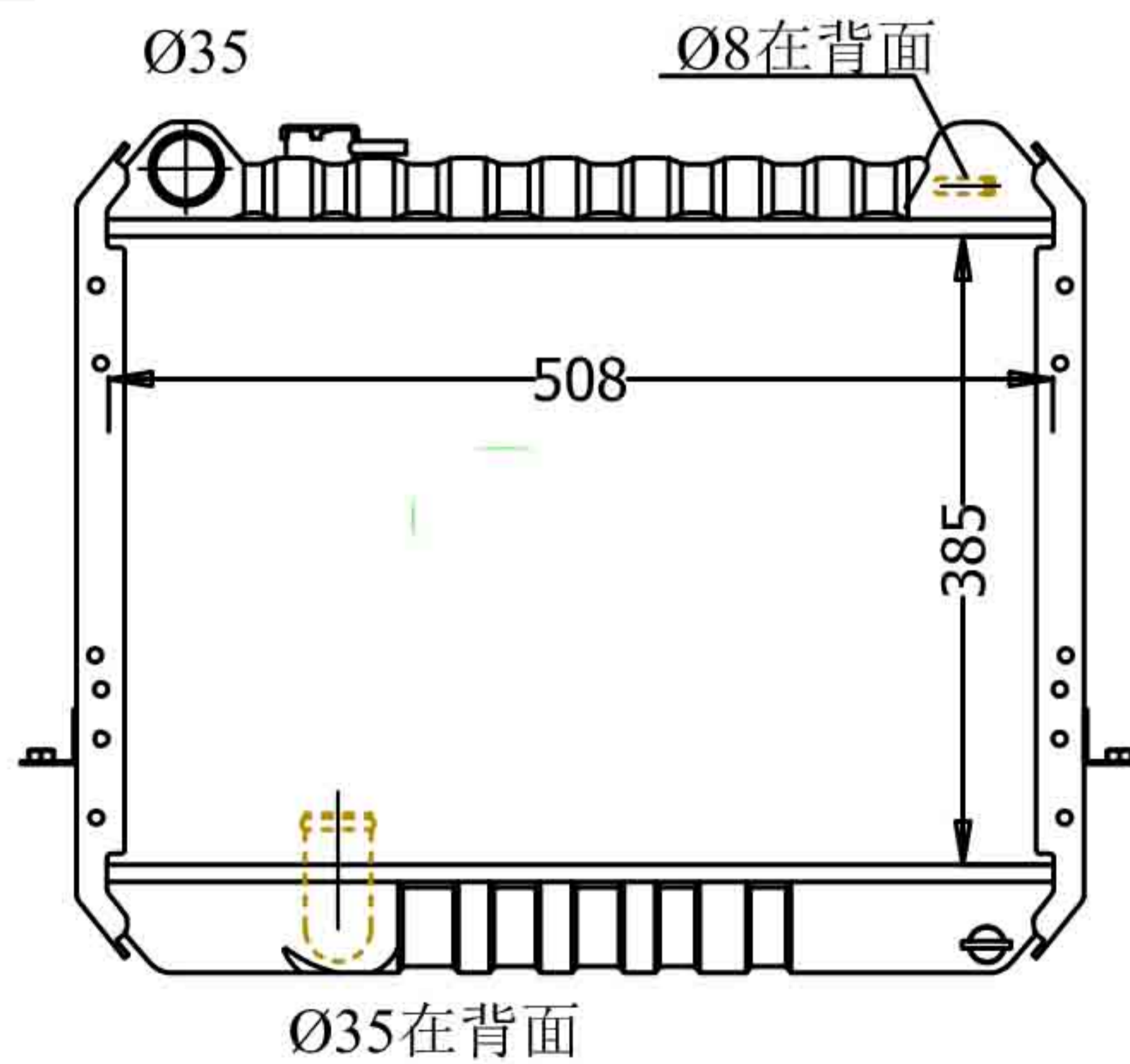
CARTYPE :COROLLA 2010 1.8 V4 ATM  
 CORE SIZE : BC : 600×385×32 TANK SIZE :405\*50  
 CARTON:  
 OEM : 16410-22180  
 DPI : 3152

## TO-12118



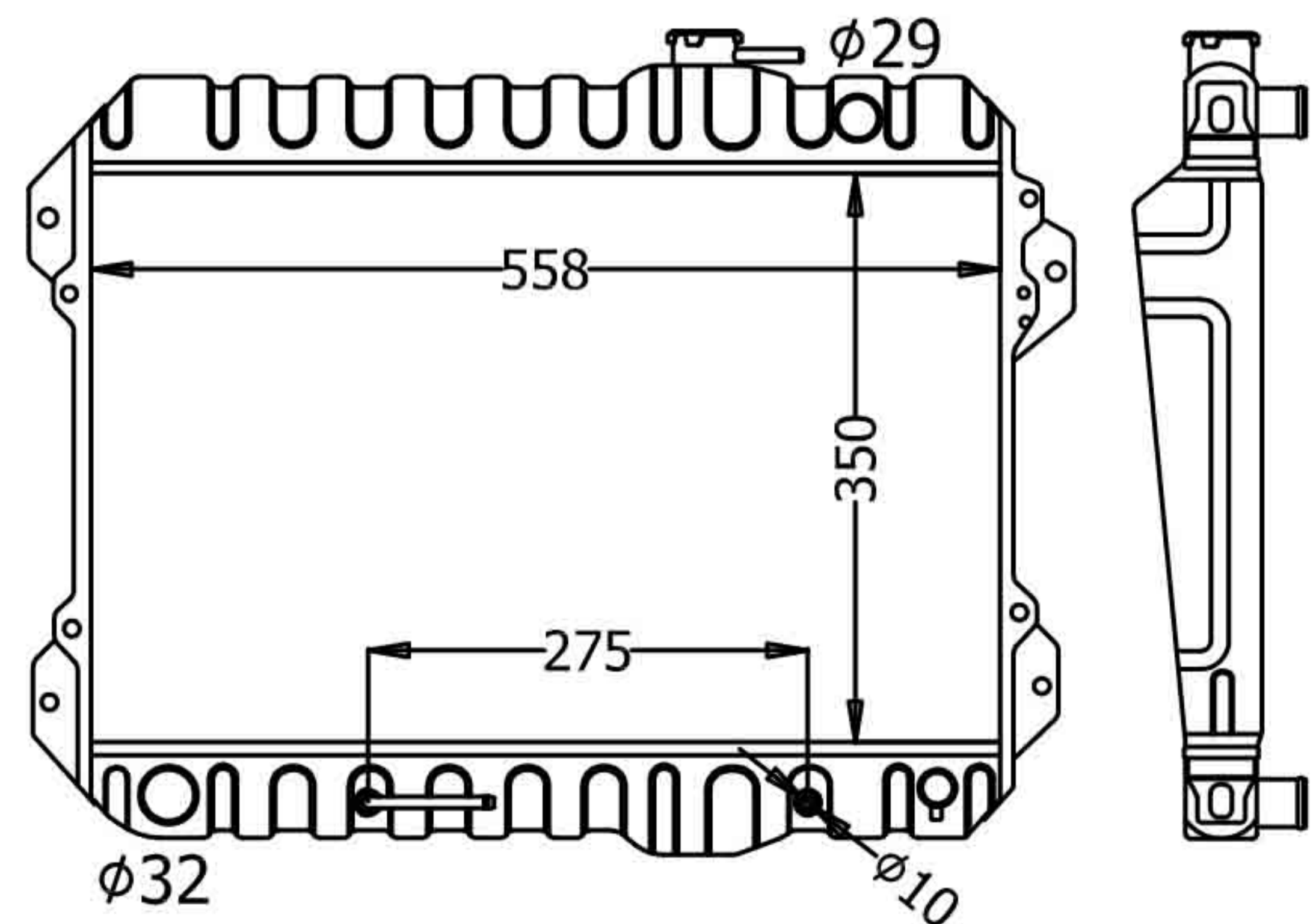
CARTYPE: RA-18 GENERATOR MT  
 CORE SIZE: BC 375\*458\*49 TANK SIZE: 476\*70  
 CARTON:  
 OEM:  
 DPI:

## TO-12119



CARTYPE : DYNA 3L MT  
 CORE SIZE : BC :385\*508\*48 TANK SIZE :66.6\*537.6  
 CARTON: 640\*190\*580  
 OEM :  
 DPI :

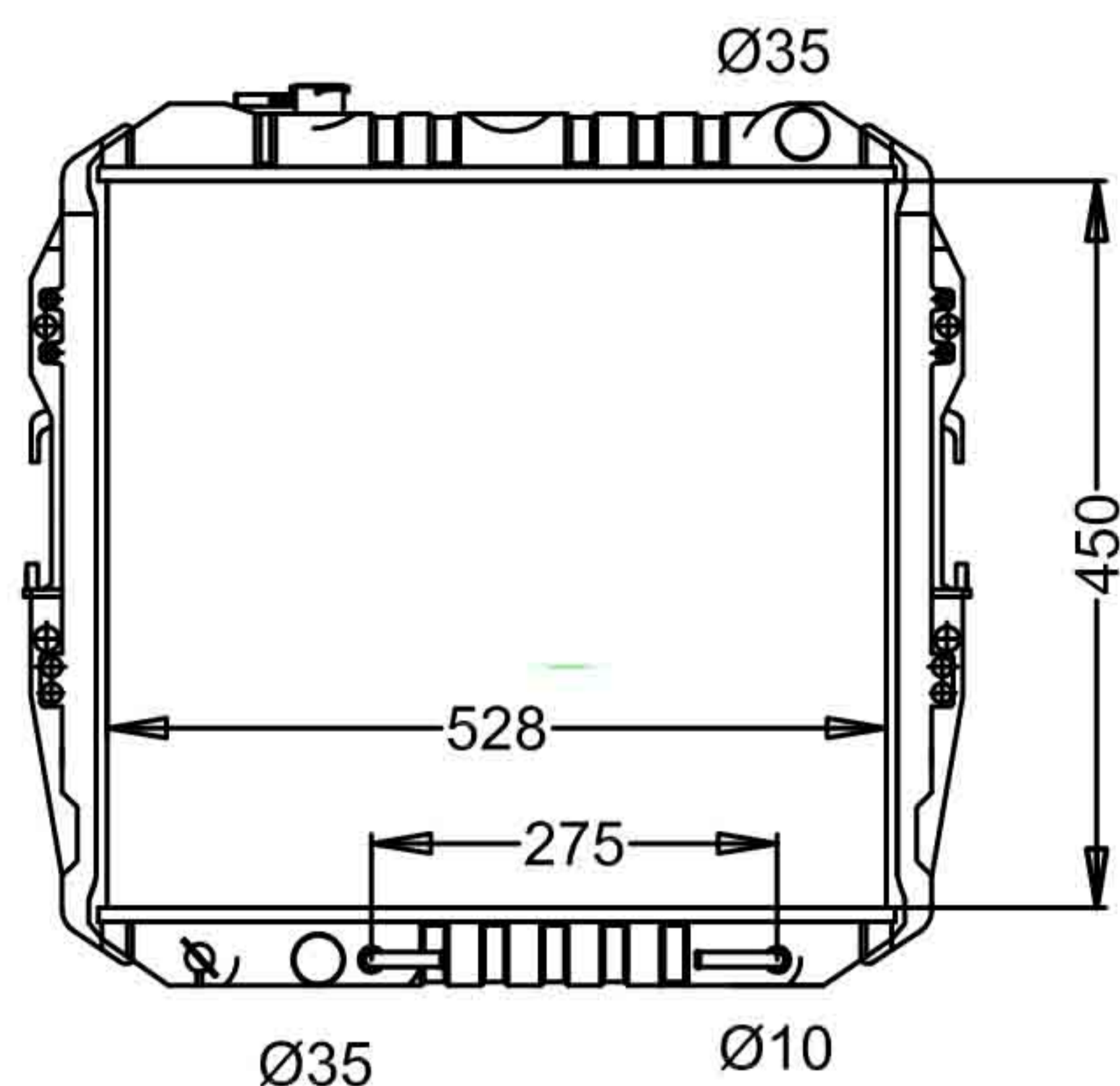
## TO-12120



CARTYPE : UNSER 1.8 AT  
 CORE SIZE : BC :350\*558\*32 TANK SIZE :48\*570  
 CARTON:  
 OEM :  
 DPI :

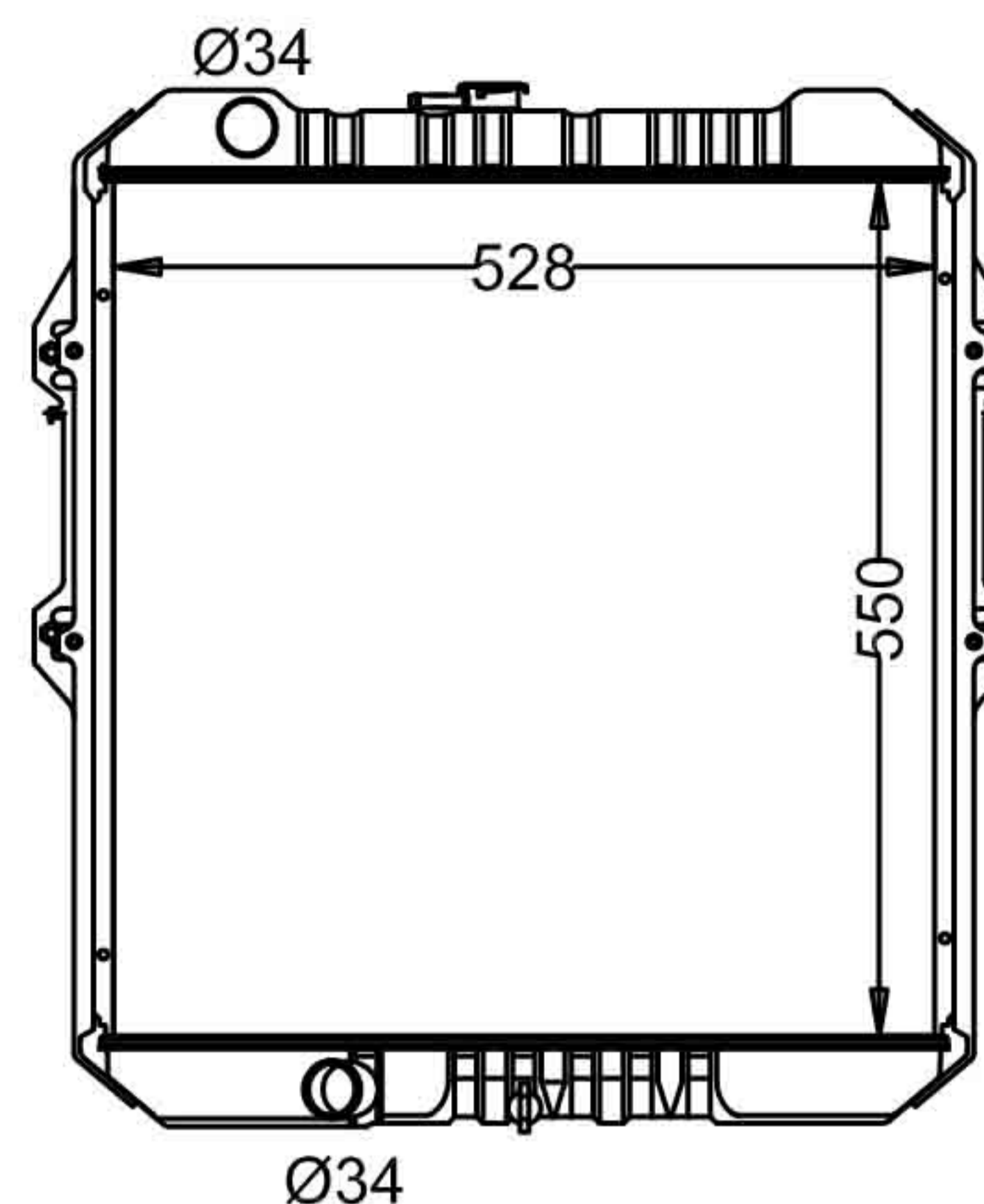
# TOYOTA

TO-12121



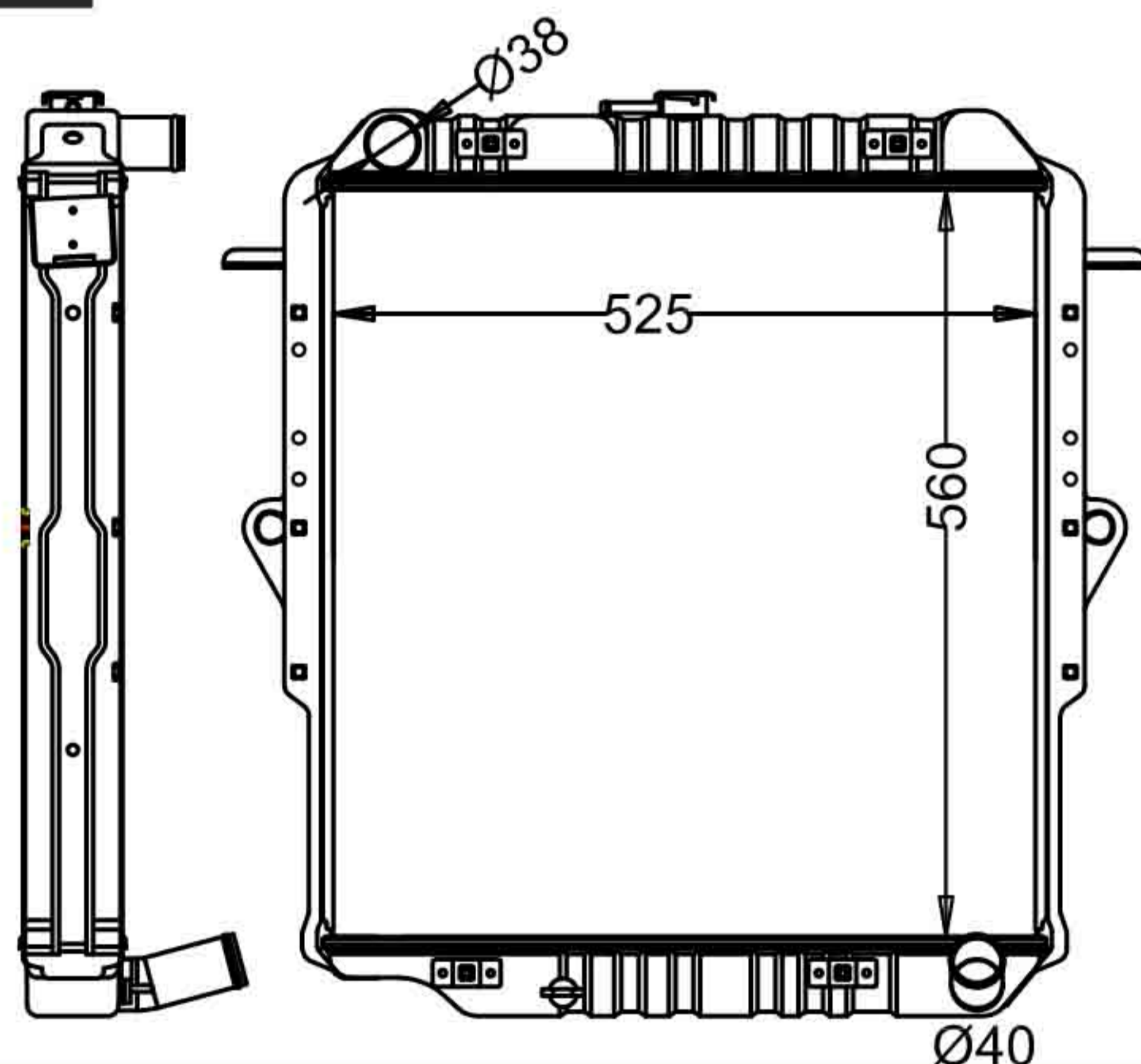
CARTYPE : HILUX 2.4/3.0 ' 89 LN85 ATM  
 CORE SIZE : BC : 450 × 528 × 32/48 TANK SIZE:  
 CORE SIZE : 450 × 528 × 32/48  
 OEM : 16400-54630  
 DPI :

TO-12122



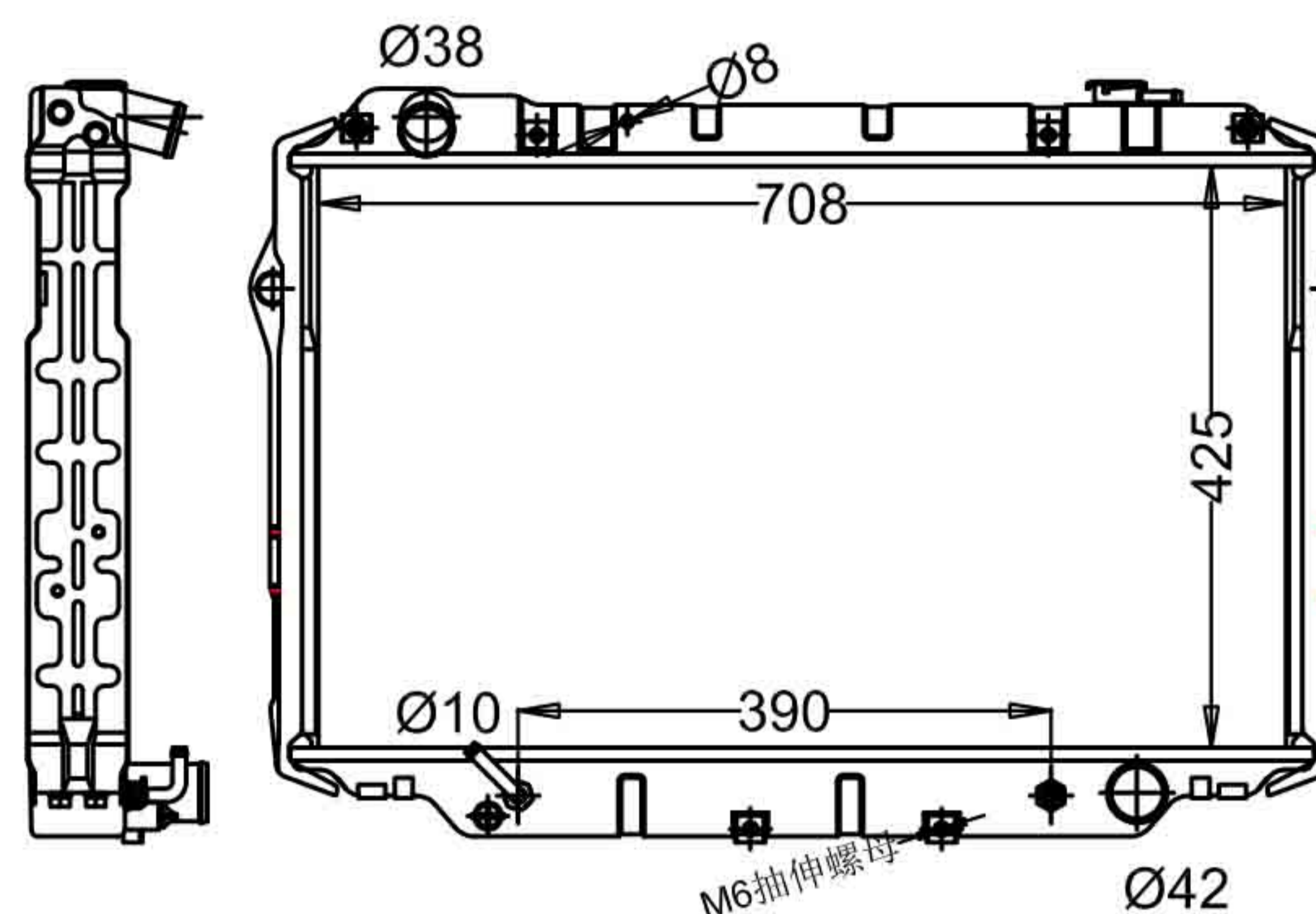
CARTYPE : KZN165R 3.0L TURBO DIESEL'99 MTM  
 CORE SIZE : BC : 550 × 528 × 16/26/32 TANK SIZE : 54.5\*544.5  
 CAROTN:  
 OEM : 16400-5B680  
 DPI :

TO-12123



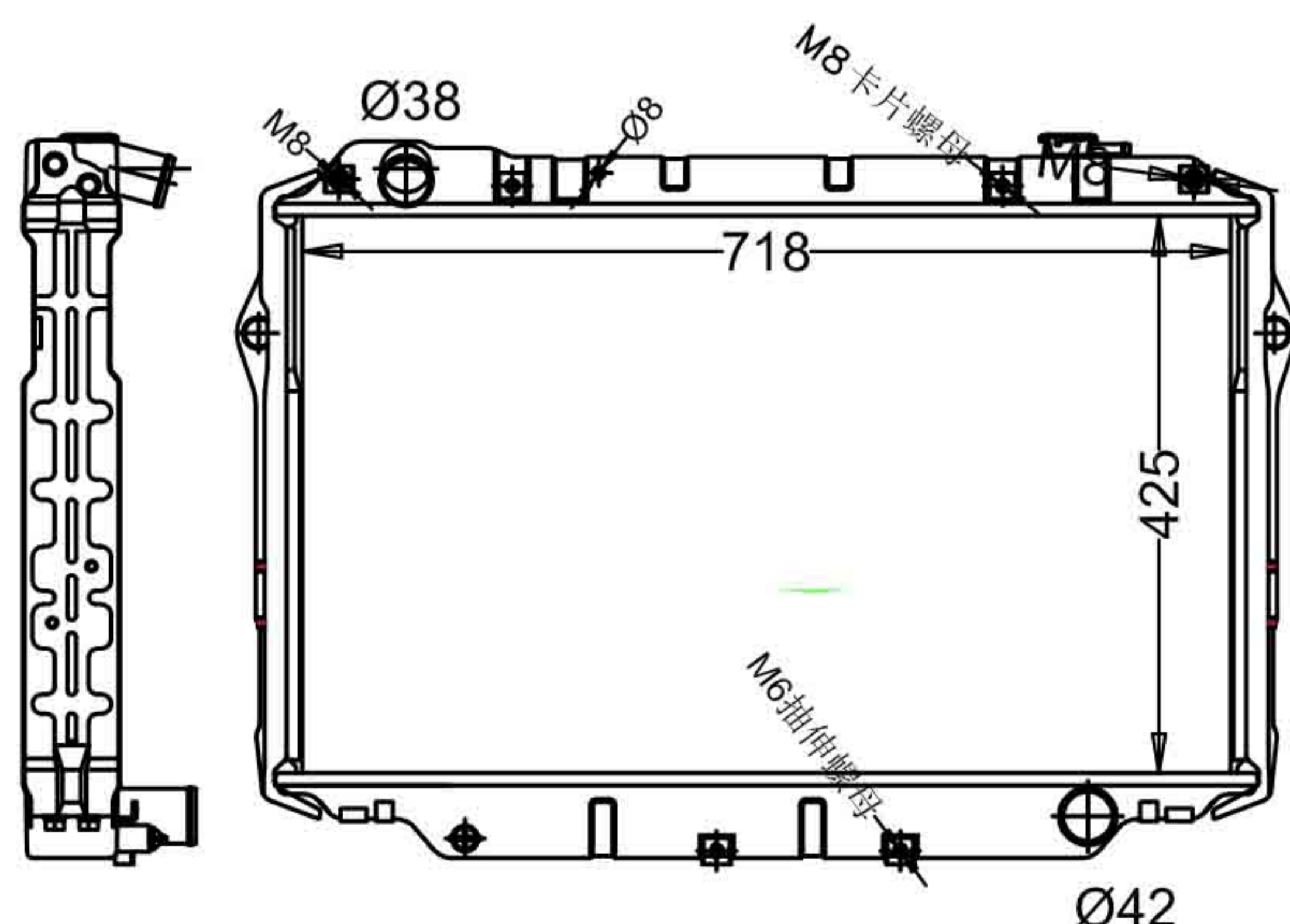
CARTYPE: TOYOTA(丰田HZJ75) MT  
 CORE SIZE: BC 560x525x64 TANK SIZE:528\*76  
 CARTON:  
 OEM:  
 DPI:

TO-12124



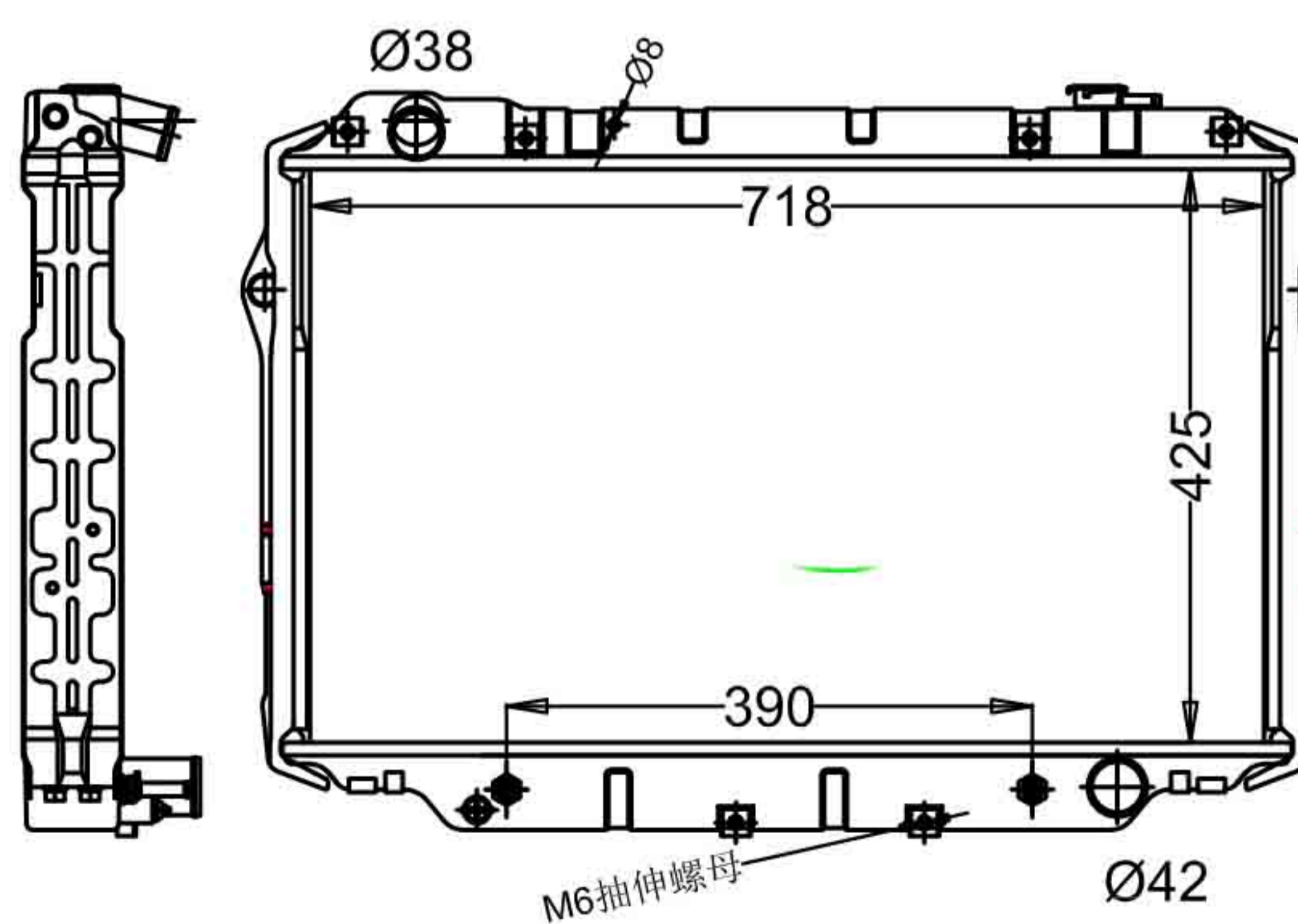
CARTYPE : LAND CRUISER 96-98 AT  
 CORE SIZE : BC : 425\*708\*48 TANK SIZE : 745\*70  
 CORE SIZE :  
 OEM :  
 DPI :

TO-12125



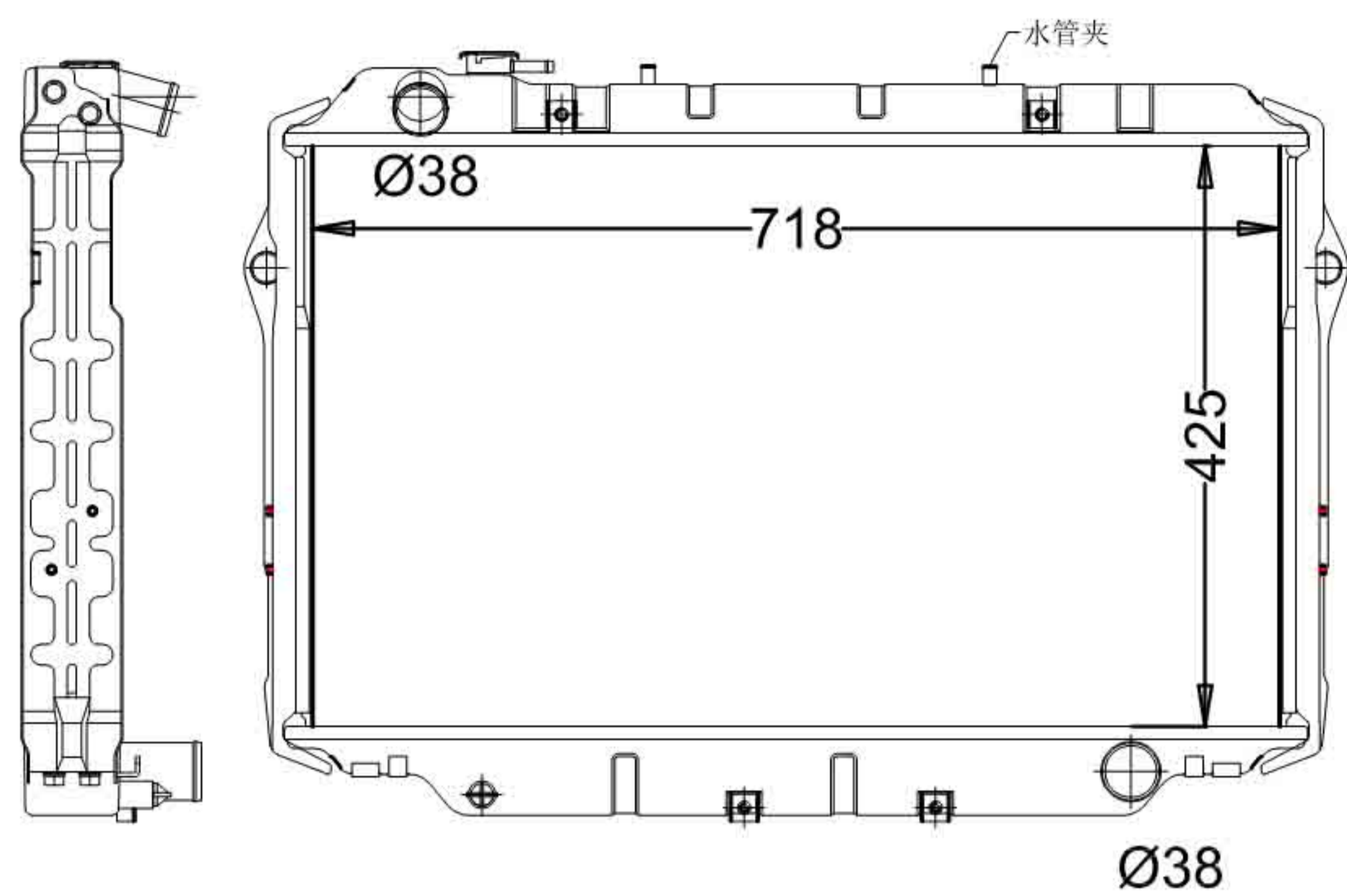
CARTYPE : LANDCRUISER'93-98 MT  
 CORE SIZE : BC : 425×718×32/48 TANK SIZE : 70\*744  
 CORE SIZE :  
 OEM : 16400-66040  
 DPI : 1917

TO-12126



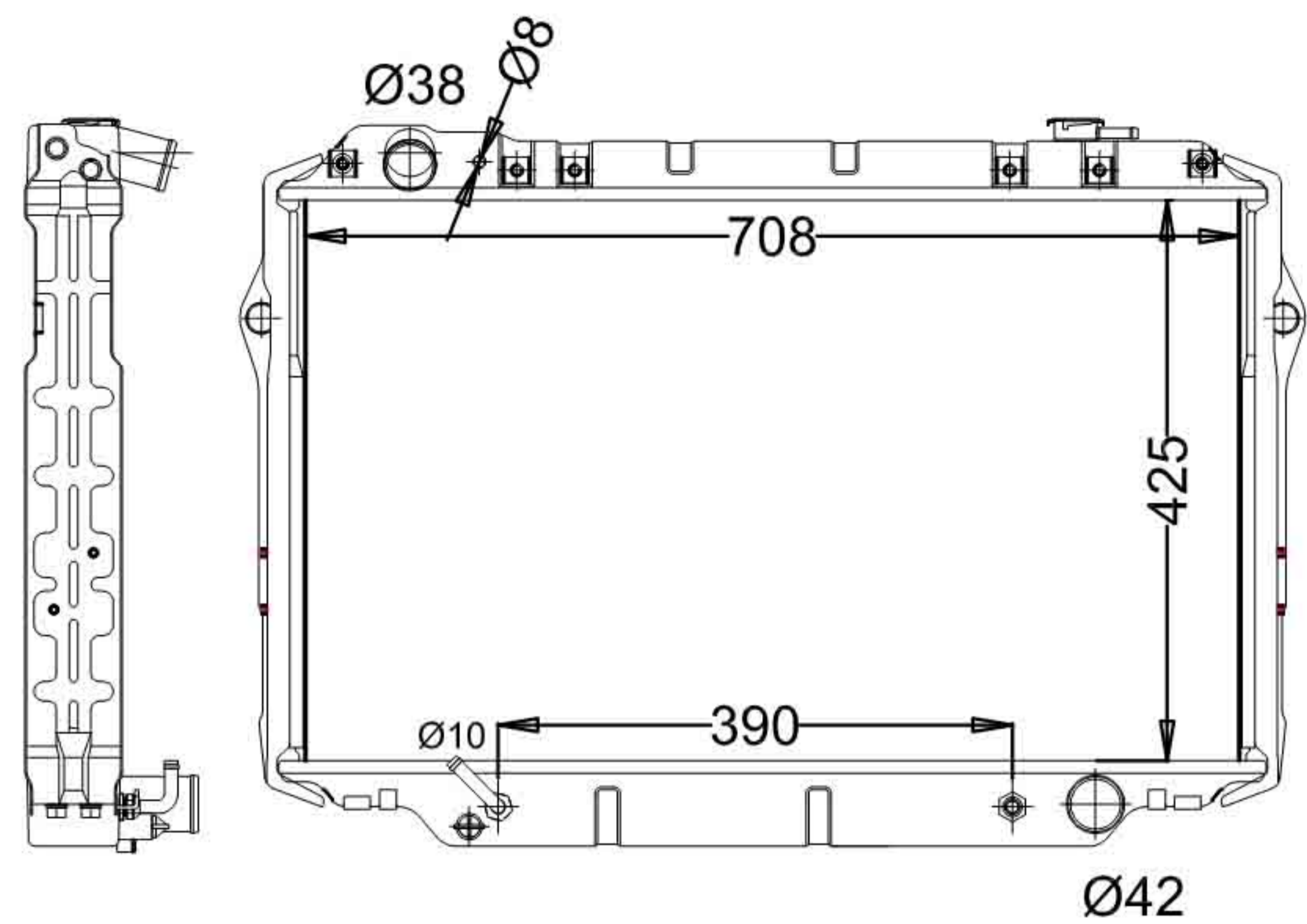
CARTYPE : LANDCRUISER'93-98 ATM  
 CORE SIZE : BC : 425×718×32/48 TANK SIZE : 70\*744  
 CORE SIZE :  
 OEM : 16400-66040  
 DPI : 1917

## TO-12127



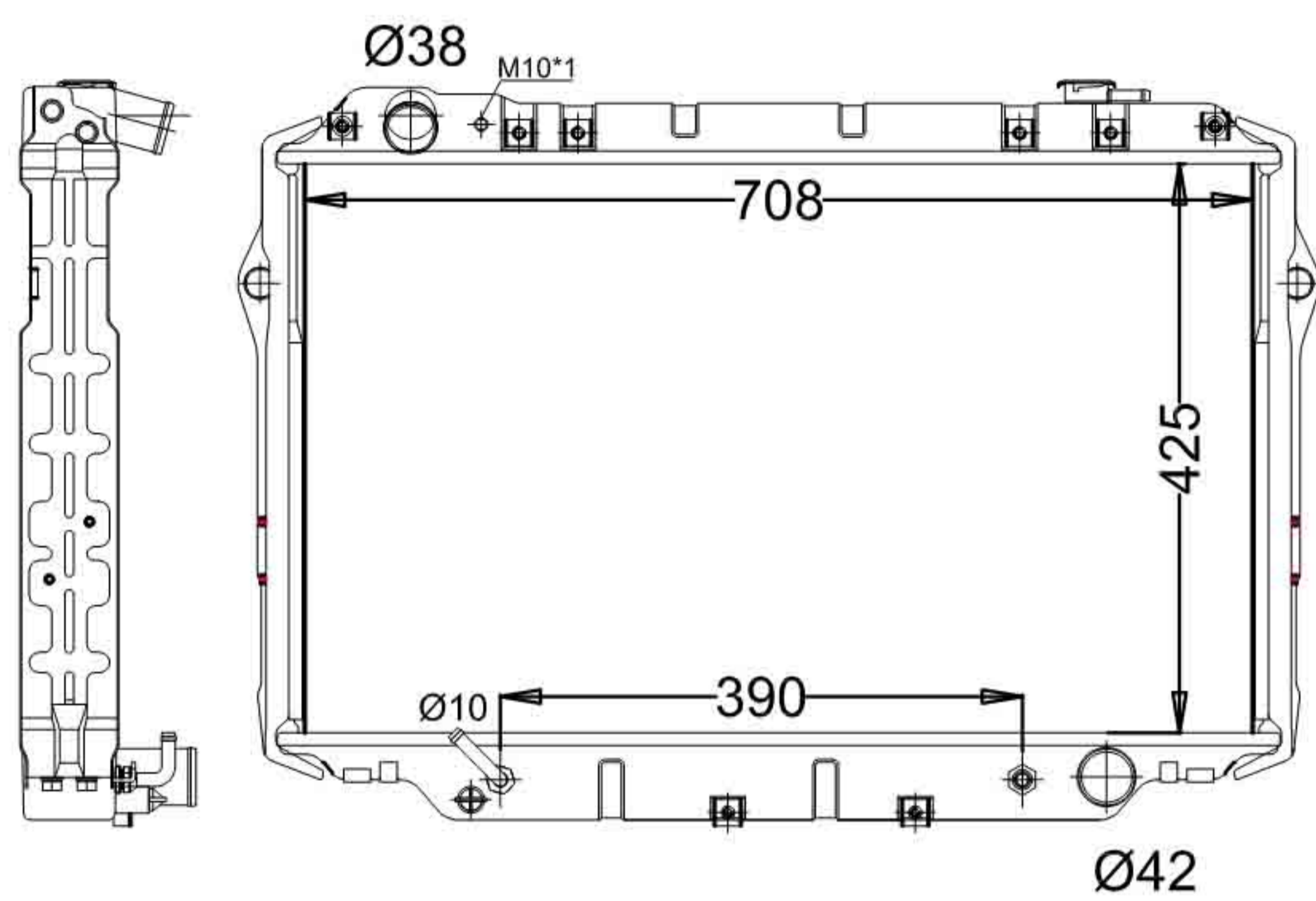
CARTYPE : LANDCRUISER'90-93 HDJ80 MT  
 CORE SIZE : BC : 425×718×32/48 TANK SIZE : 70\*744  
 CORE SIZE :  
 OEM : 16400-17020/17040  
 DPI :

## TO-12128



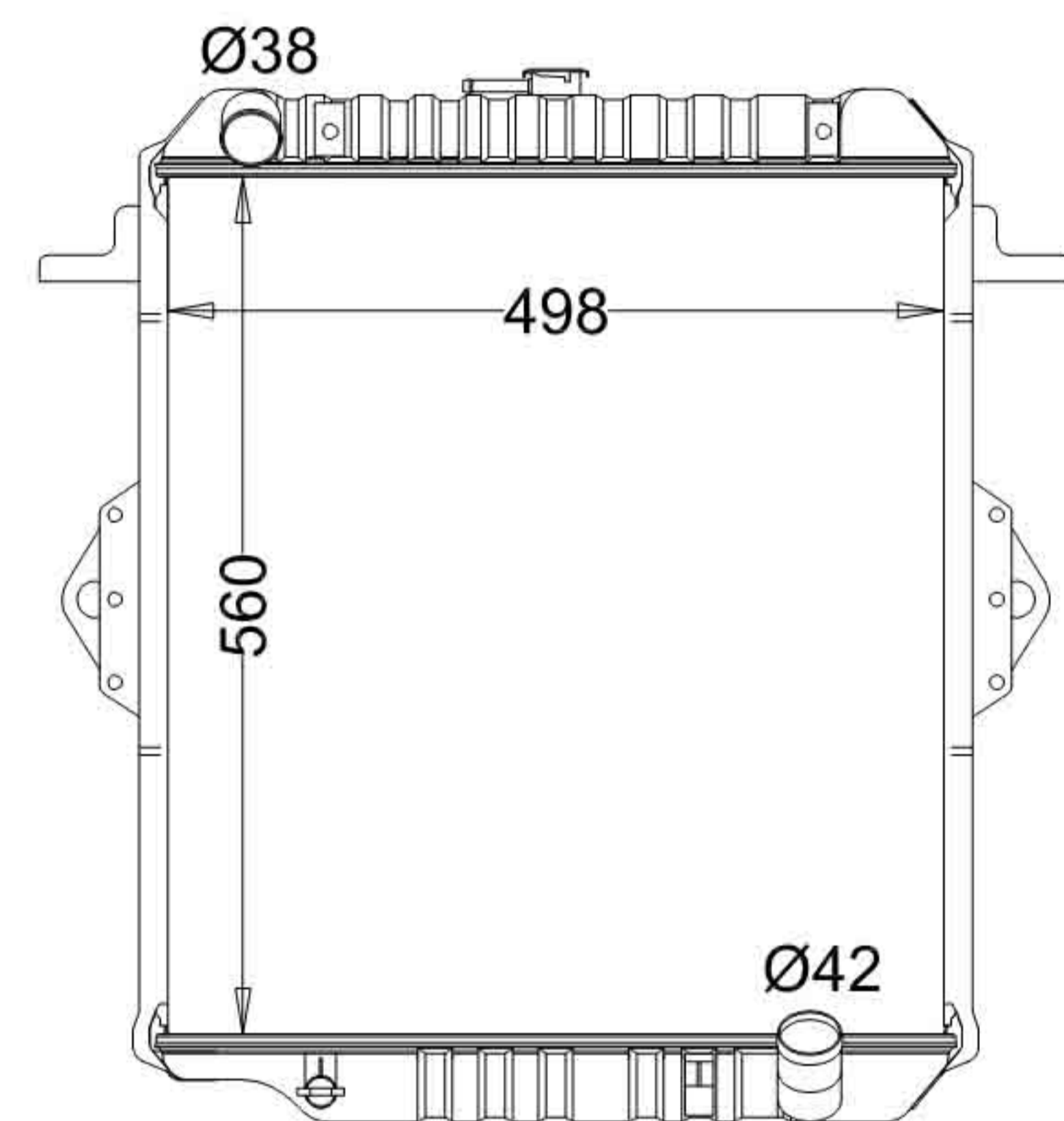
CARTYPE : LAND CRUISER 96-98 AT  
 CORE SIZE : BC : 425\*708\*48 TANK SIZE : 744\*69.5  
 CORE SIZE :  
 OEM :  
 DPI :

## TO-12129



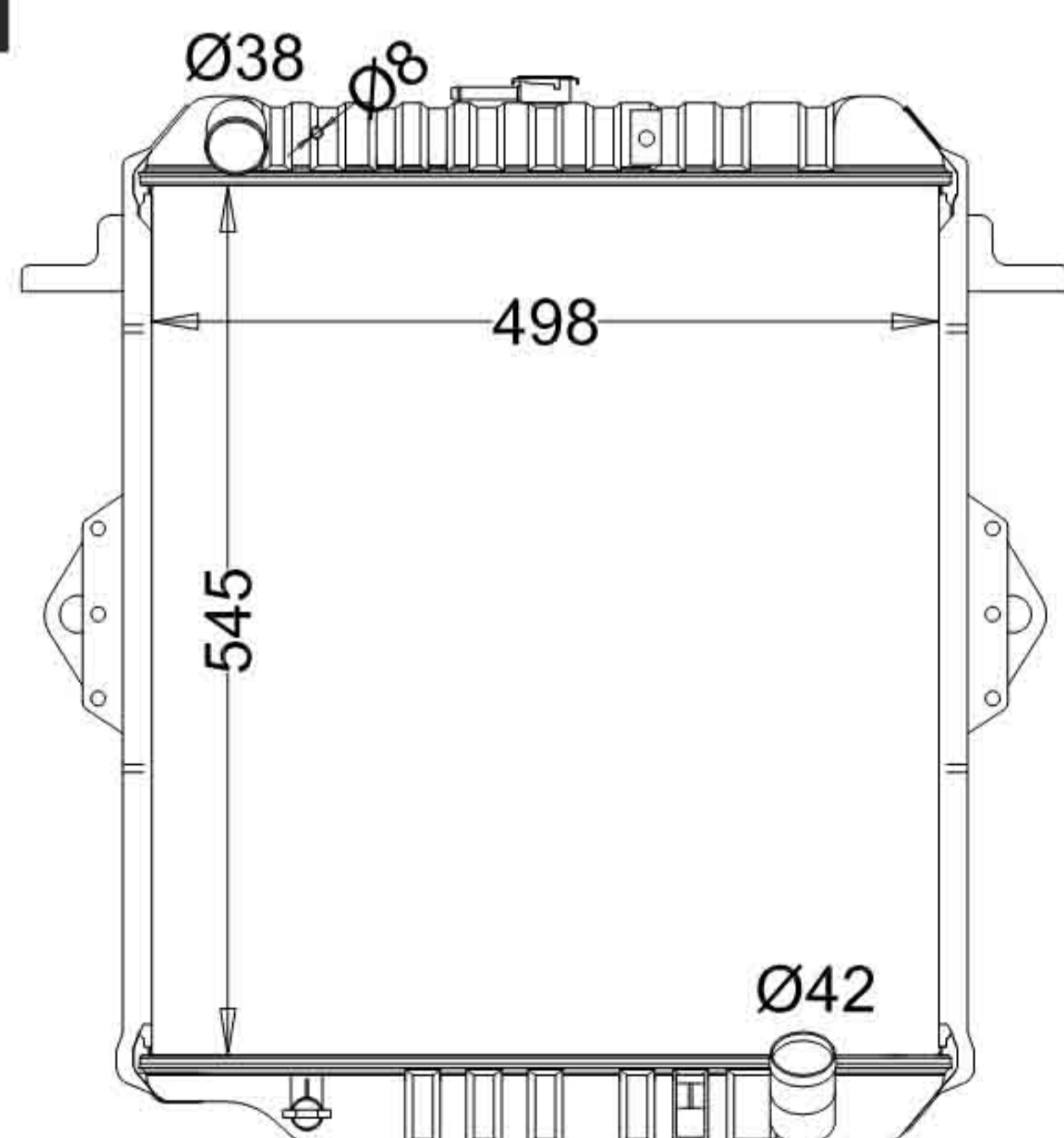
CARTYPE : LAND CRUISER 96-98 AT  
 CORE SIZE : BC : 425\*708\*48 TANK SIZE : 744\*69.5  
 CORE SIZE :  
 OEM : 1640017031/240 /021  
 DPI :

## TO-12130



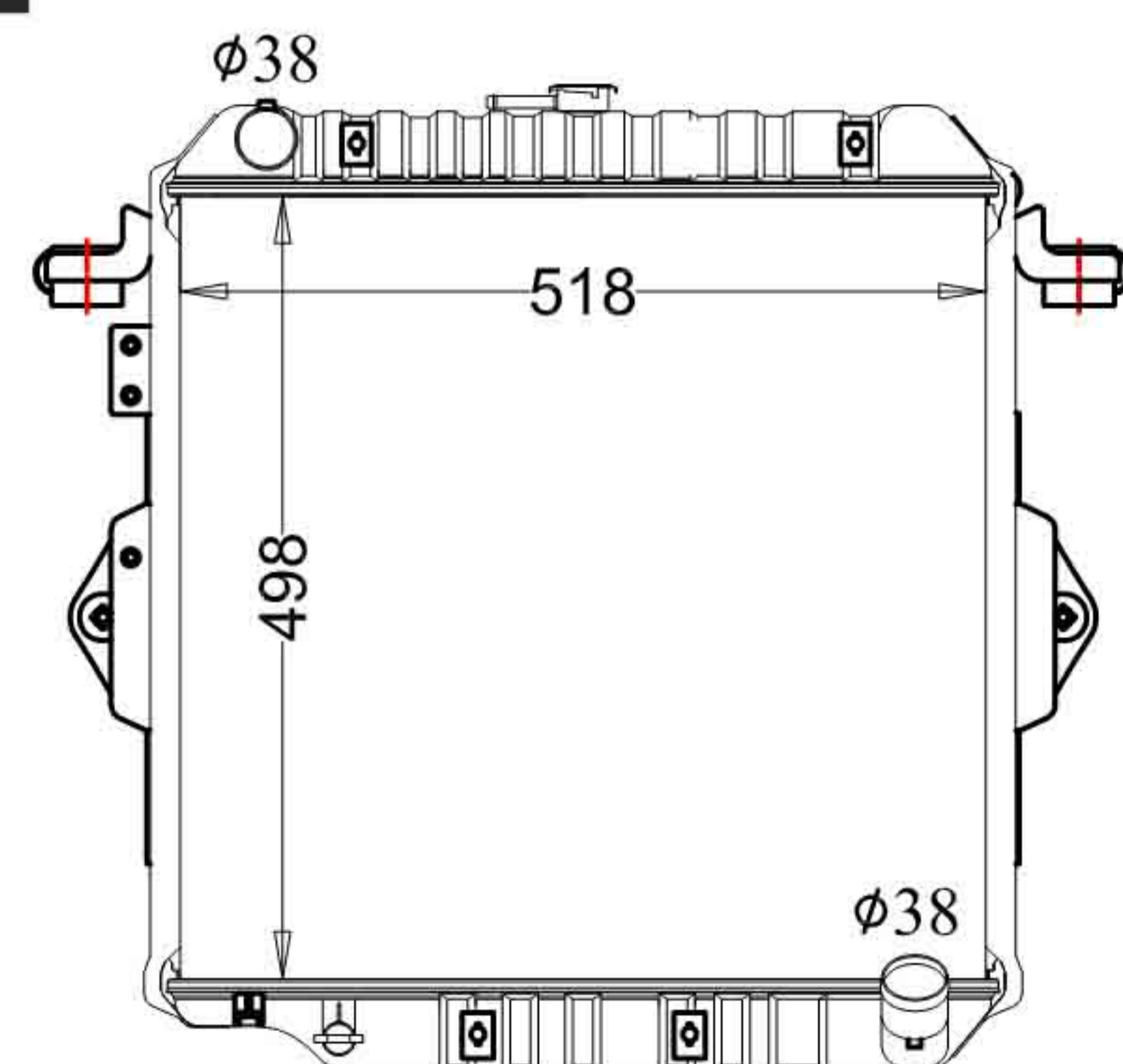
CARTYPE : LANDCRUISER MT  
 CORE SIZE : BC : 560\*498\*48 TANK SIZE : 74\*528  
 CARTON :  
 OEM :  
 DPI :

## TO-12131



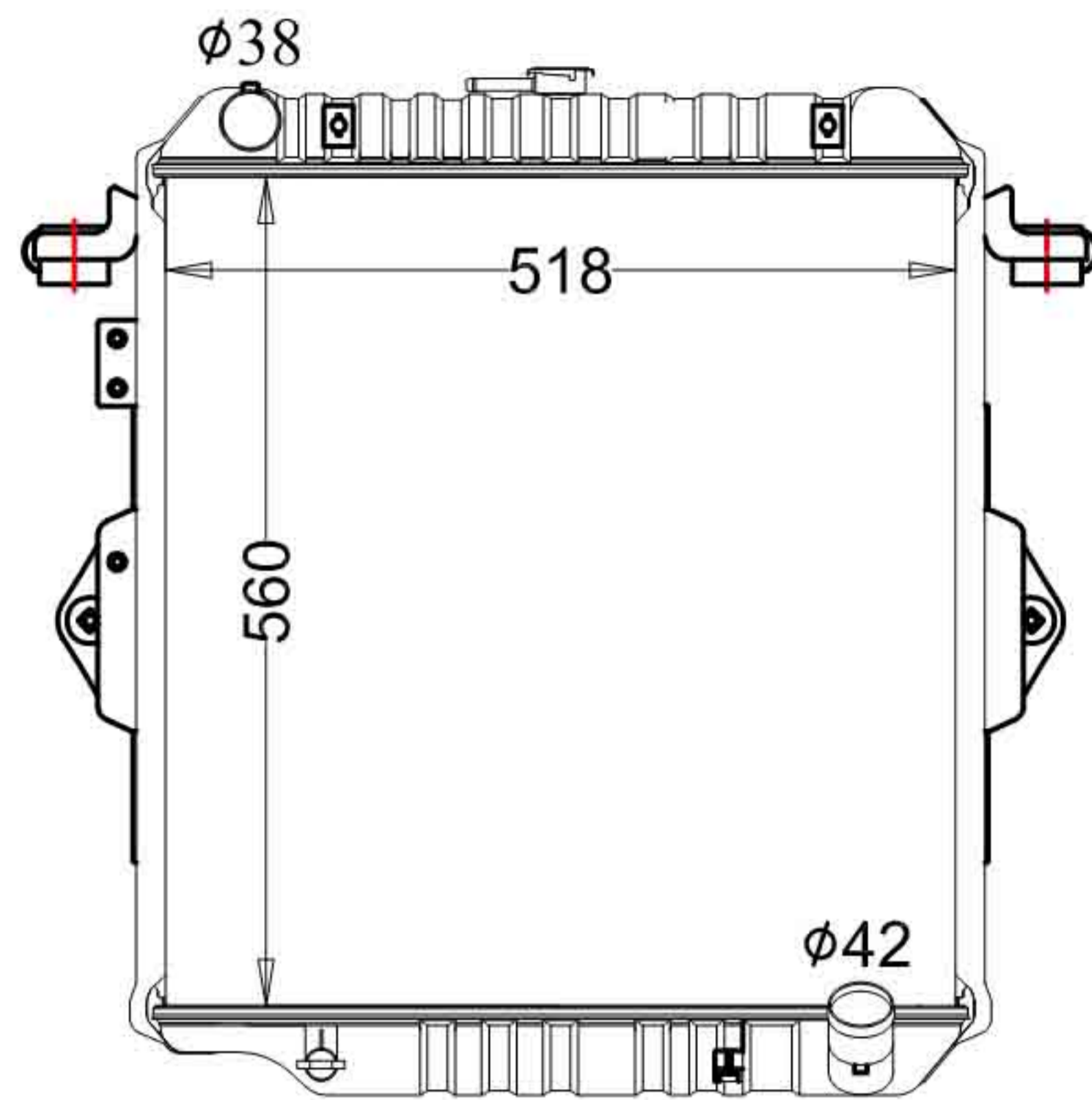
CARTYPE : LAND CRUISER FRJ7 02- MT  
 CORE SIZE : BC : 545\*498\*48/64 TANK SIZE : 74\*528  
 CARTON :  
 OEM : 16400-66060  
 DPI :

## TO-12132



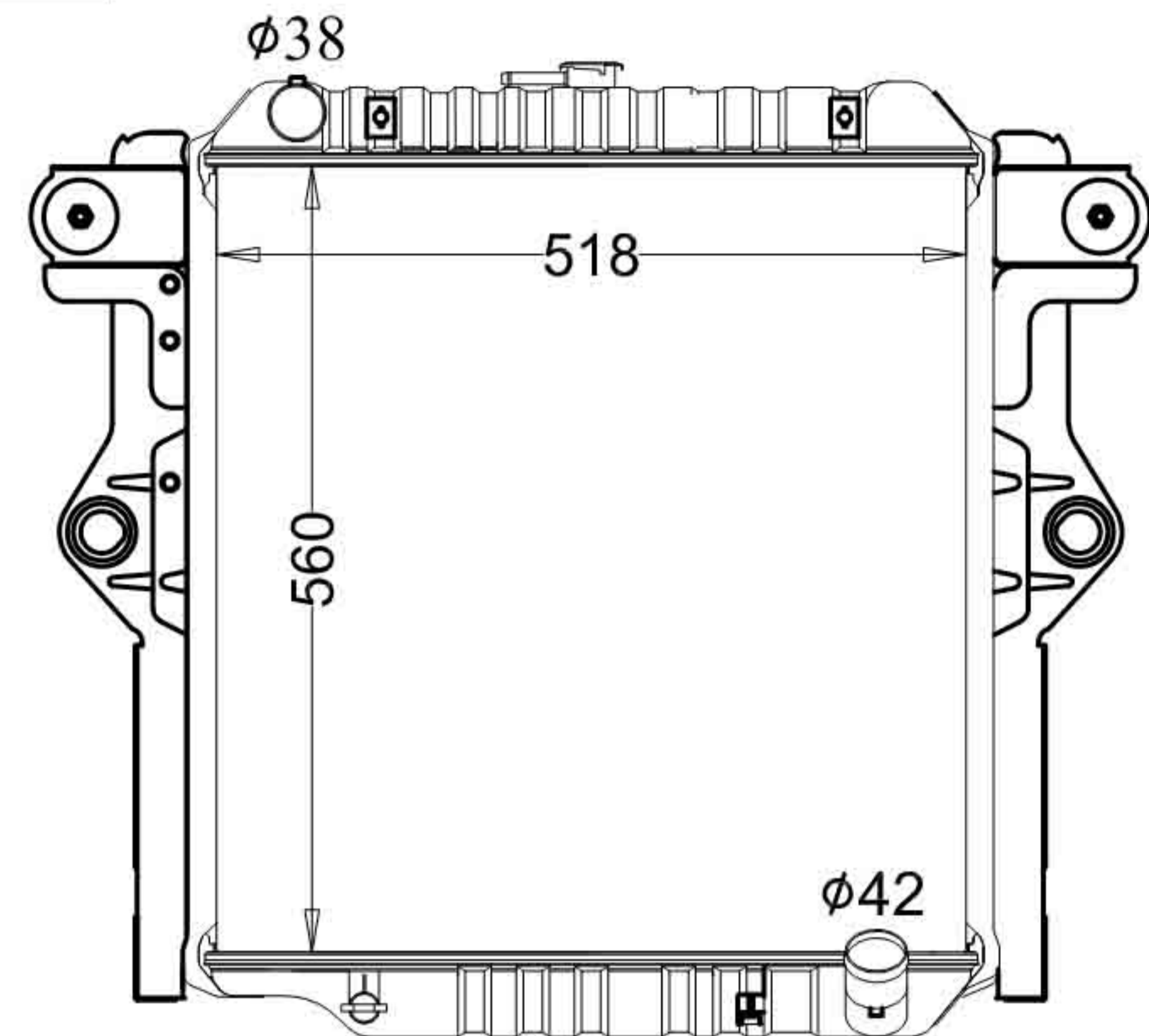
CARTYPE : LANDCRUISER MTM  
 CORE SIZE : BC : 498×518×48/64 TANK SIZE :  
 CARTON :  
 OEM : 16400-17300  
 DPI :

## TO-12133



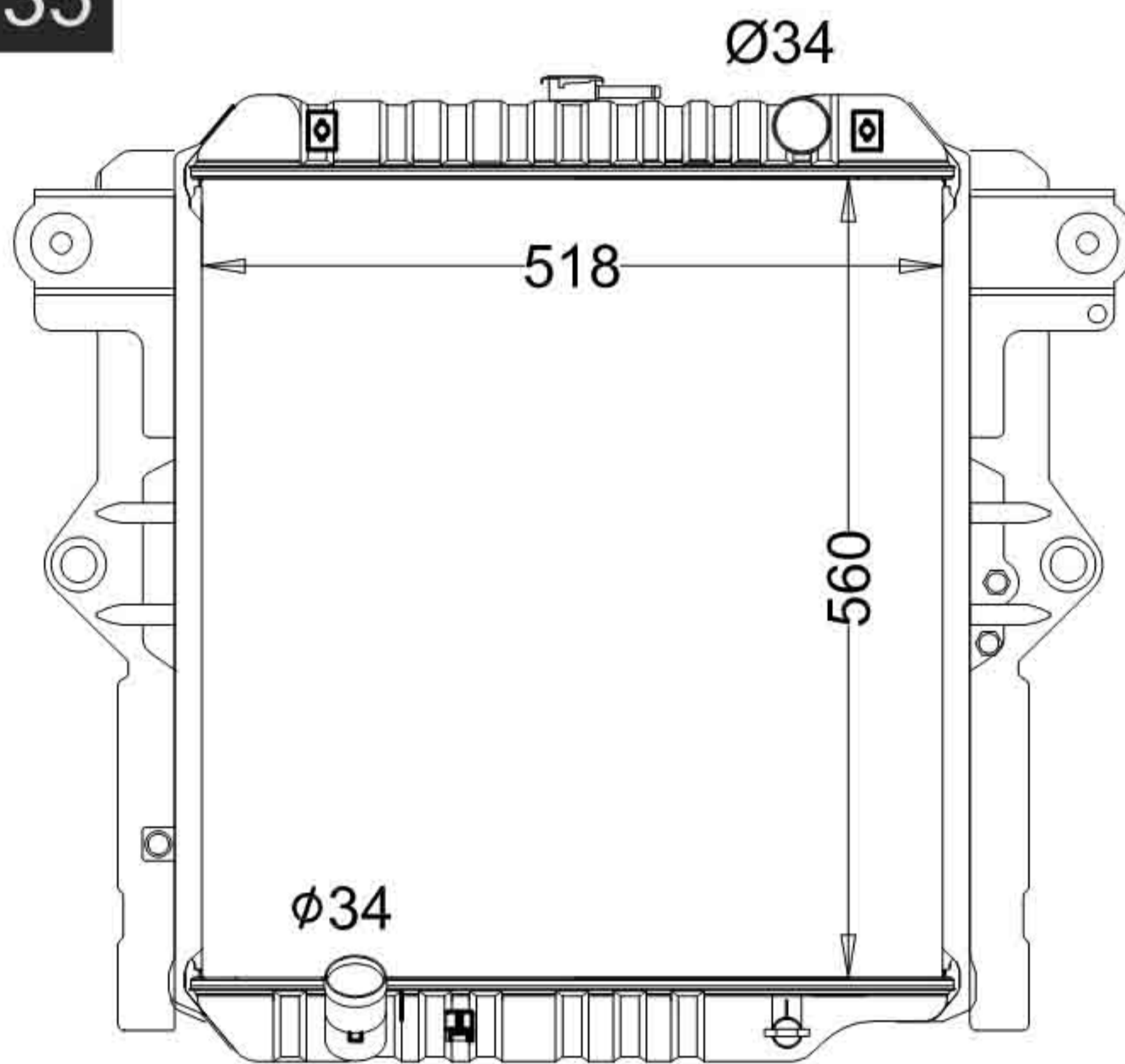
CARTYPE : LANDCRUISER MTM  
 CORE SIZE : BC : 560×518×48/64 TANK SIZE :  
 CARTON :  
 OEM : 16400-17360  
 DPI :

## TO-12134



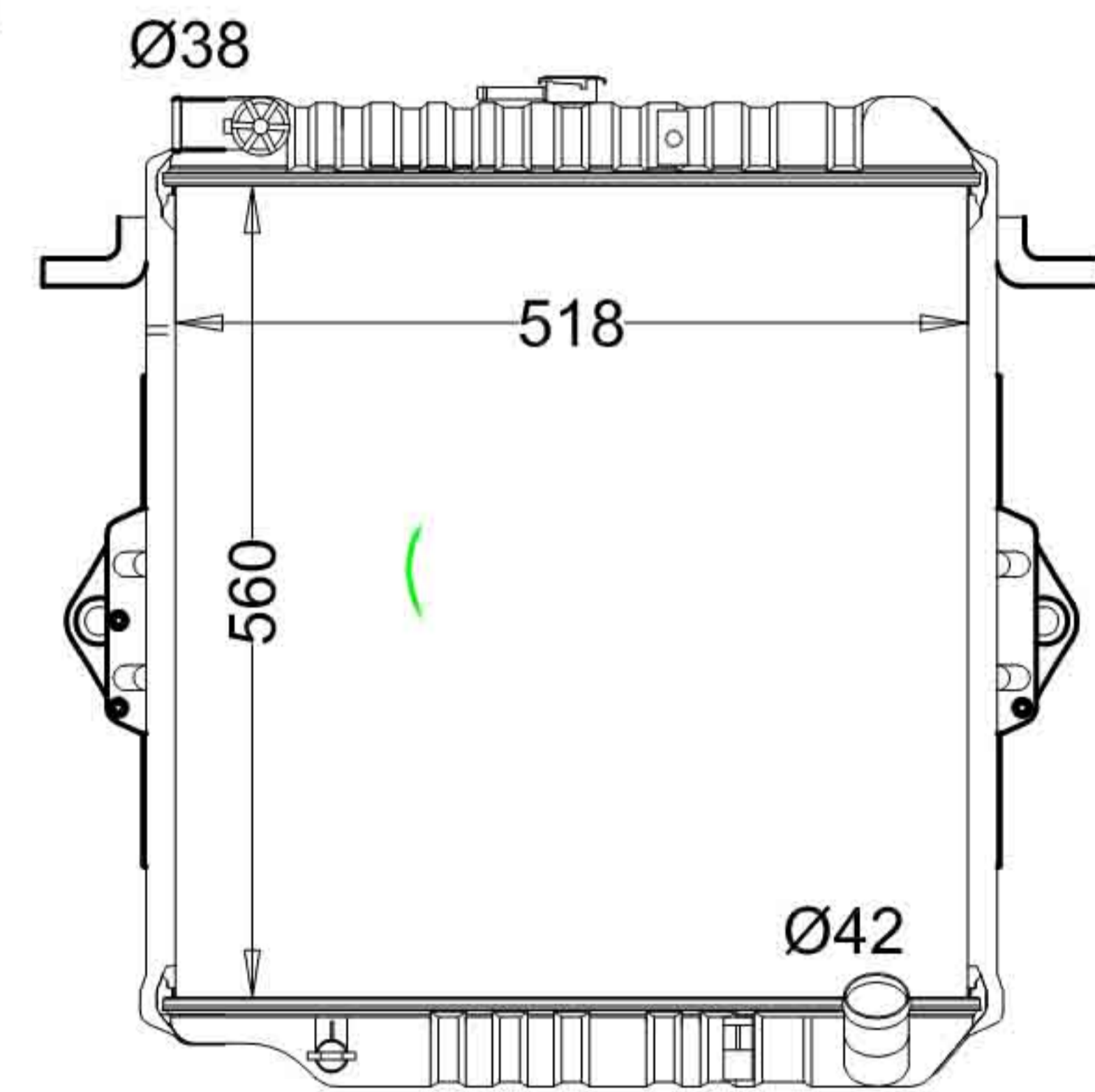
CARTYPE : LANDCRUISER HZ 07- MTM  
 CORE SIZE : BC: 560×518×48/64 TANK SIZE:74\*528  
 CARTON :  
 OEM :16400-17400  
 DPI :

## TO-12135



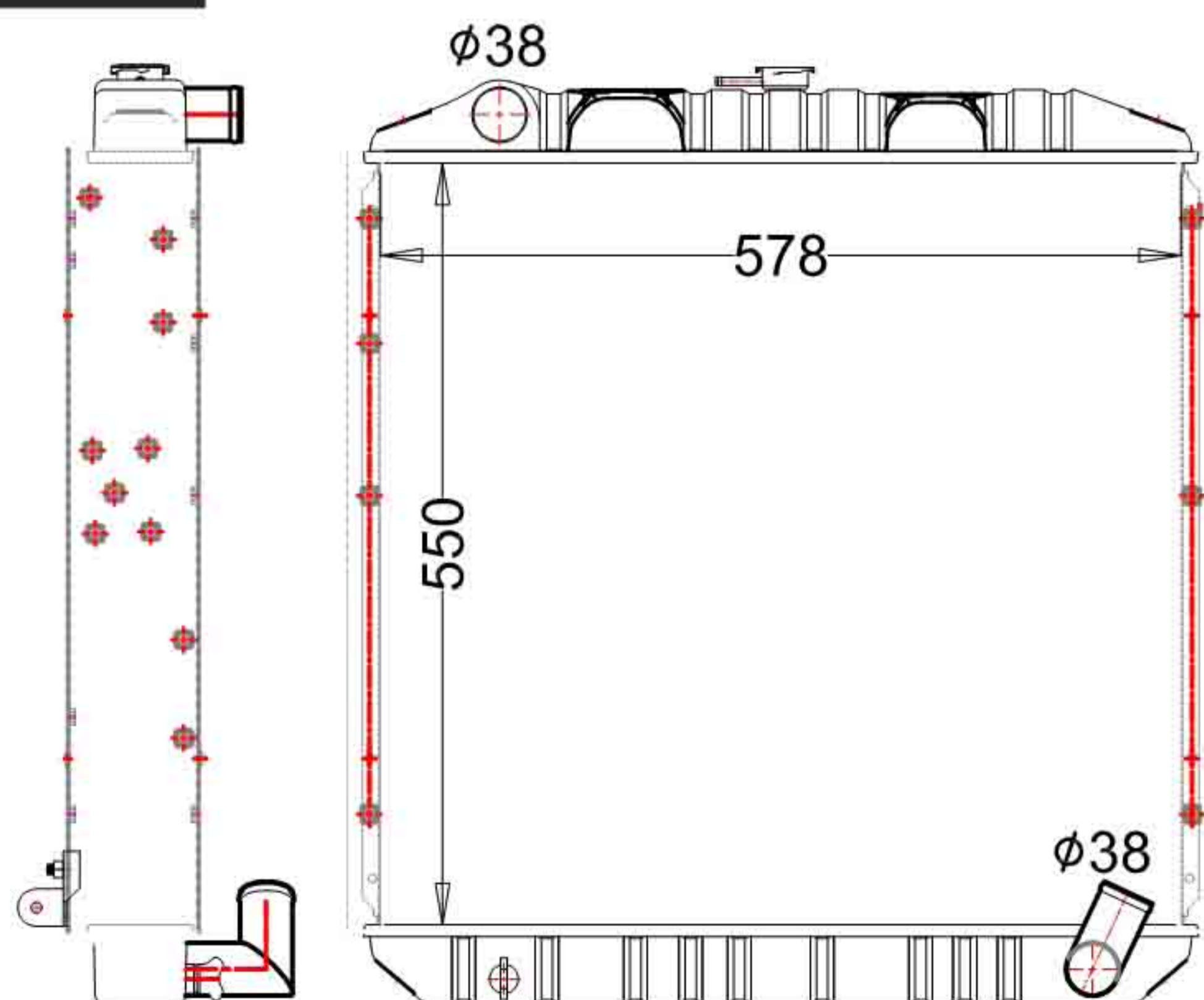
CARTYPE : LANDCRUISER PICK UP 2012 MT  
 CORE SIZE : BC :560\*518\*48/64 TANK SIZE :528.5\*75  
 CARTON :  
 OEM :  
 DPI :

## TO-12136



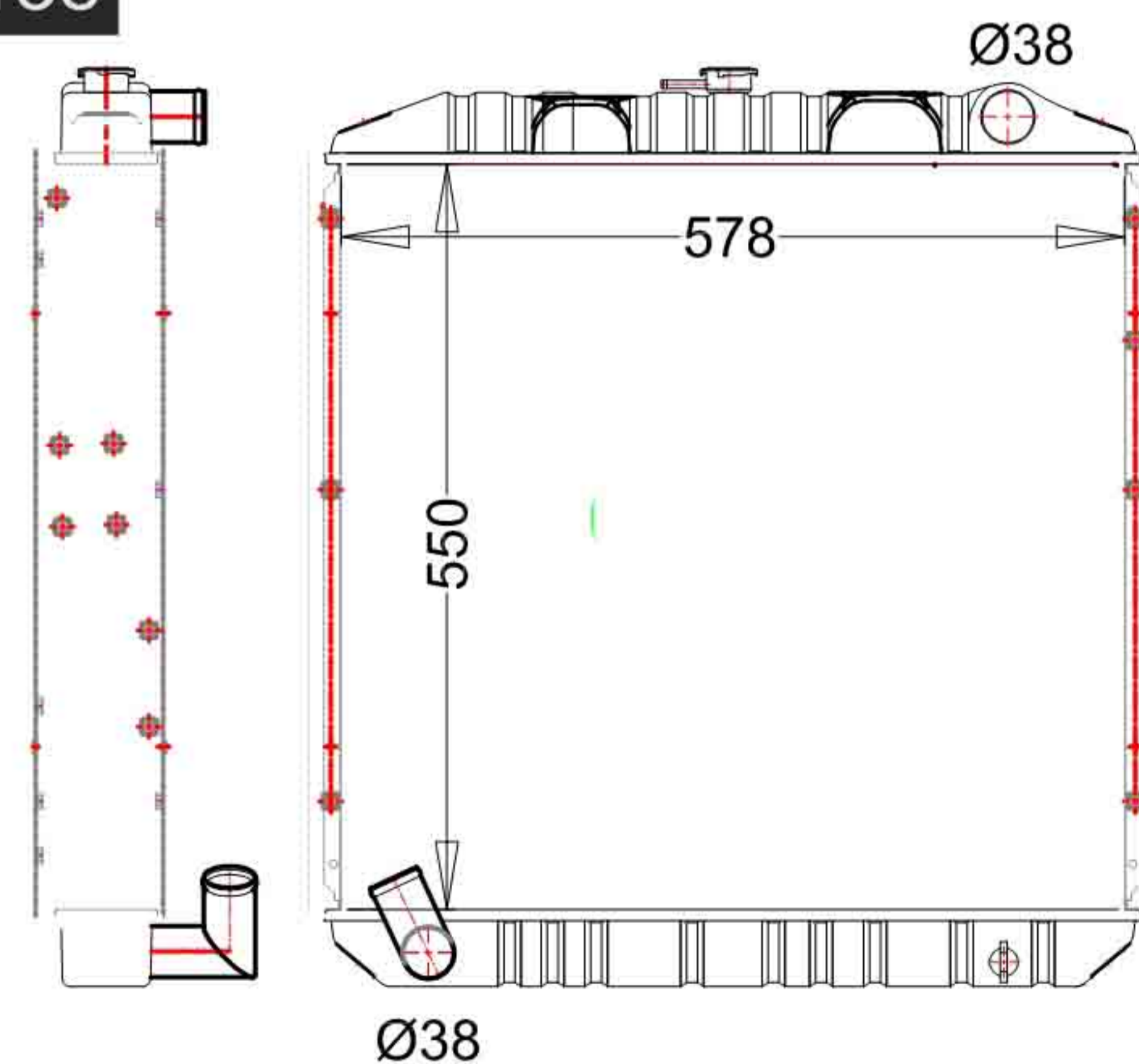
CARTYPE: LANDCRUSRE FZJ7#'2005 MT  
 CORE SIZE:BC 560×518×48/64 TANK SIZE:74.5\*527.5  
 CARTON:  
 OEM: 16400-66160  
 DPI:

## TO-12137



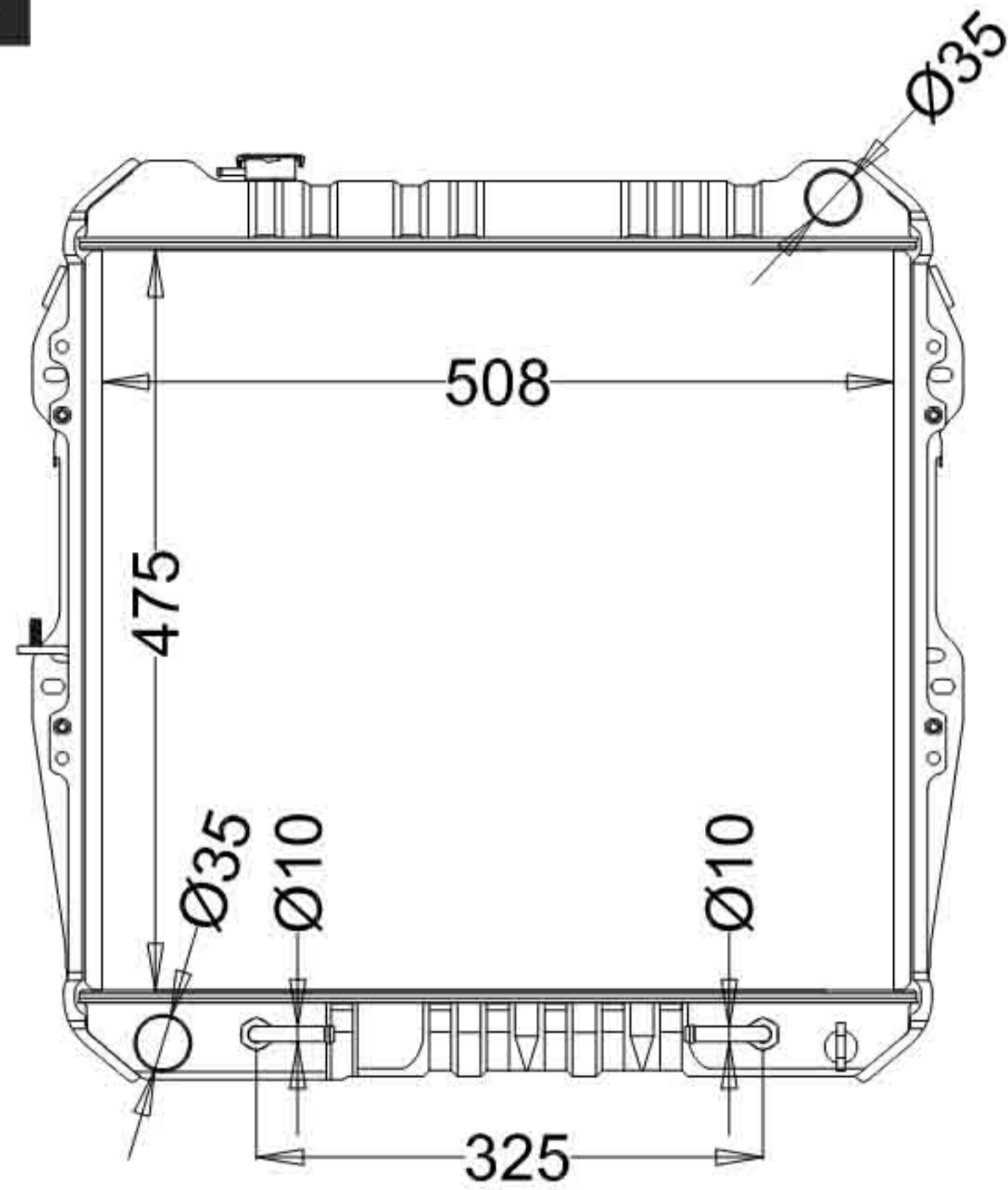
CARTYPE : COASTER(丰田中巴) MT  
 CORE SIZE : BC :550x578x49/64 TANK SIZE :600x74  
 CARTON :  
 OEM :  
 DPI :

## TO-12138



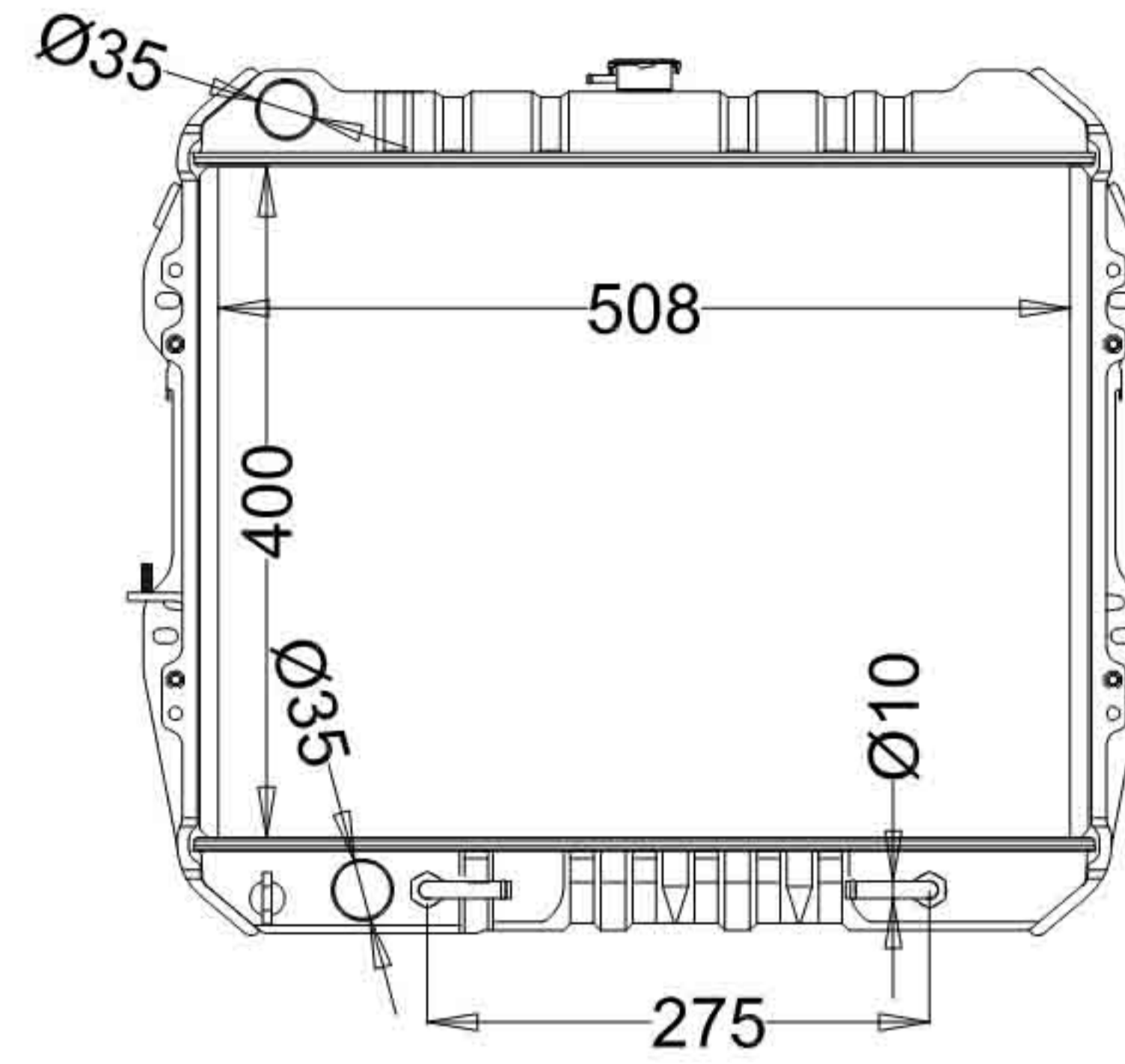
CARTYPE : COASTER(丰田中巴) MT  
 CORE SIZE : BC :550x578x49/64 TANK SIZE :600x74  
 CARTON :  
 OEM :  
 DPI :

**TO-12139**



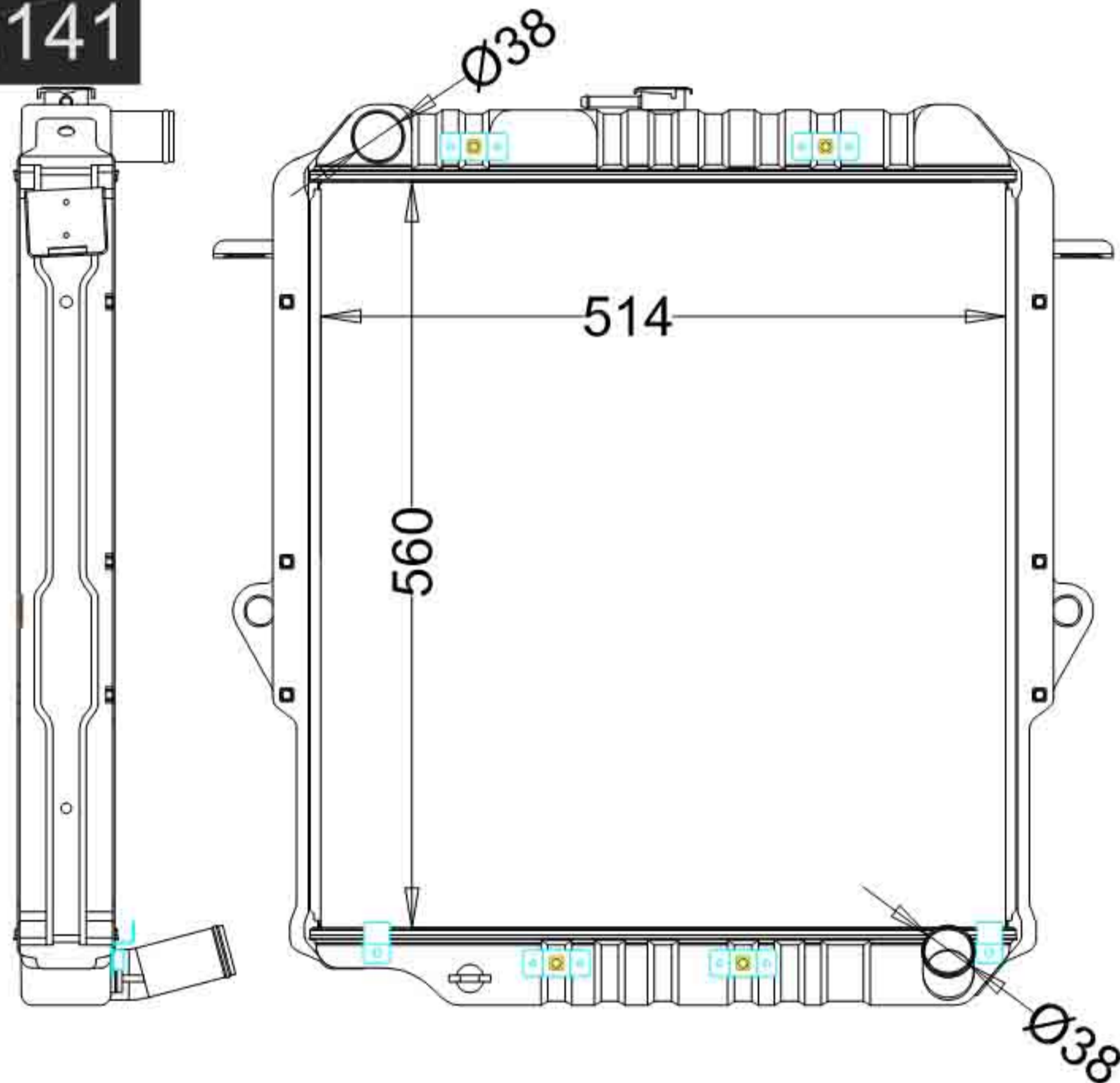
CARTYPE: VZN10#/11#/13# 89-95 AT  
 CORE SIZE: BC 475x508x32/49 TANK SIZE: 65\*528  
 CARTON:  
 OEM:  
 DPI:

**TO-12140**



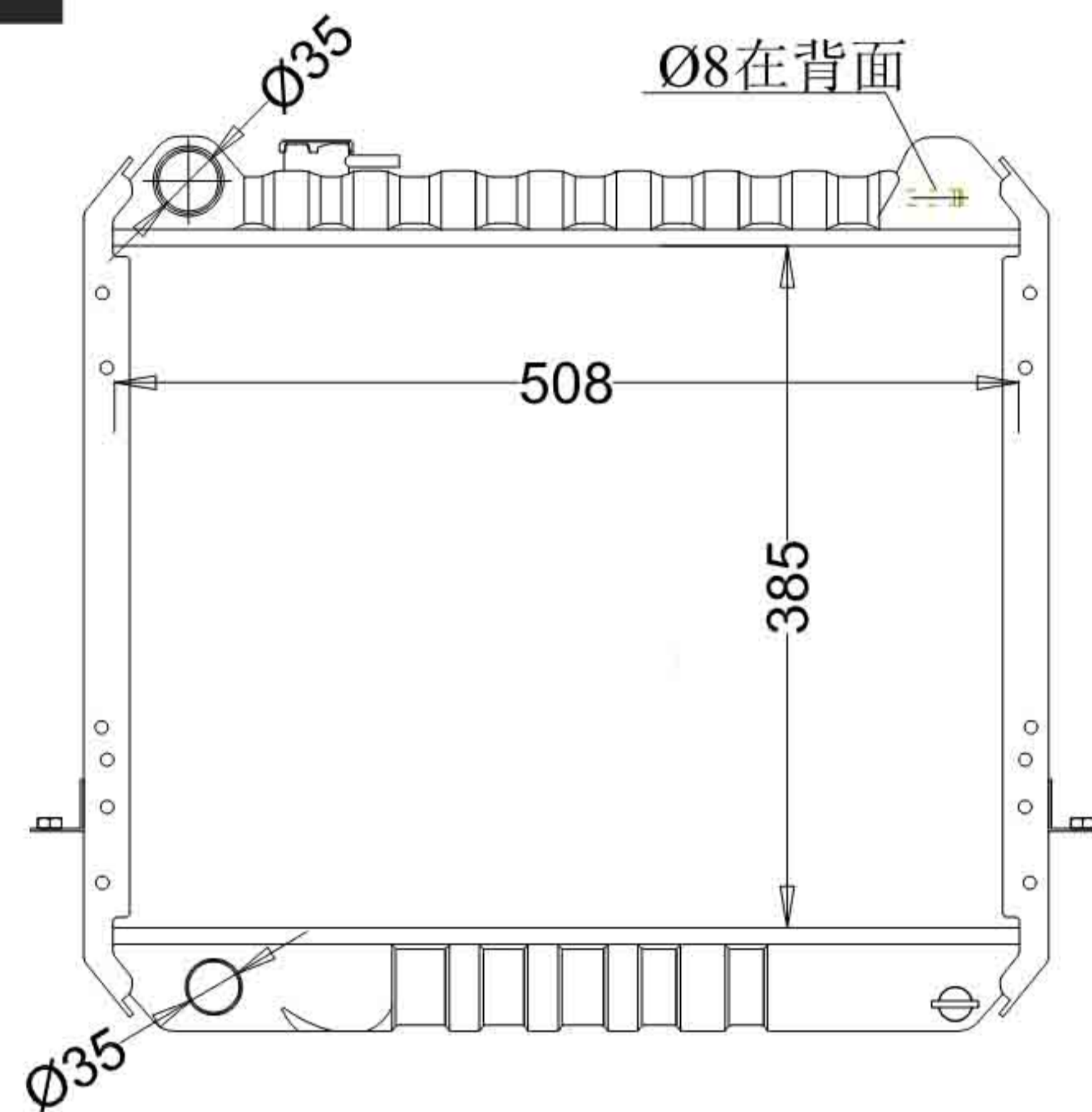
CARTYPE: HILUX(DIESEL) AT  
 CORE SIZE: BC 400x508x32/49 TANK SIZE: 65\*528  
 CARTON:  
 OEM:  
 DPI:

**TO-12141**



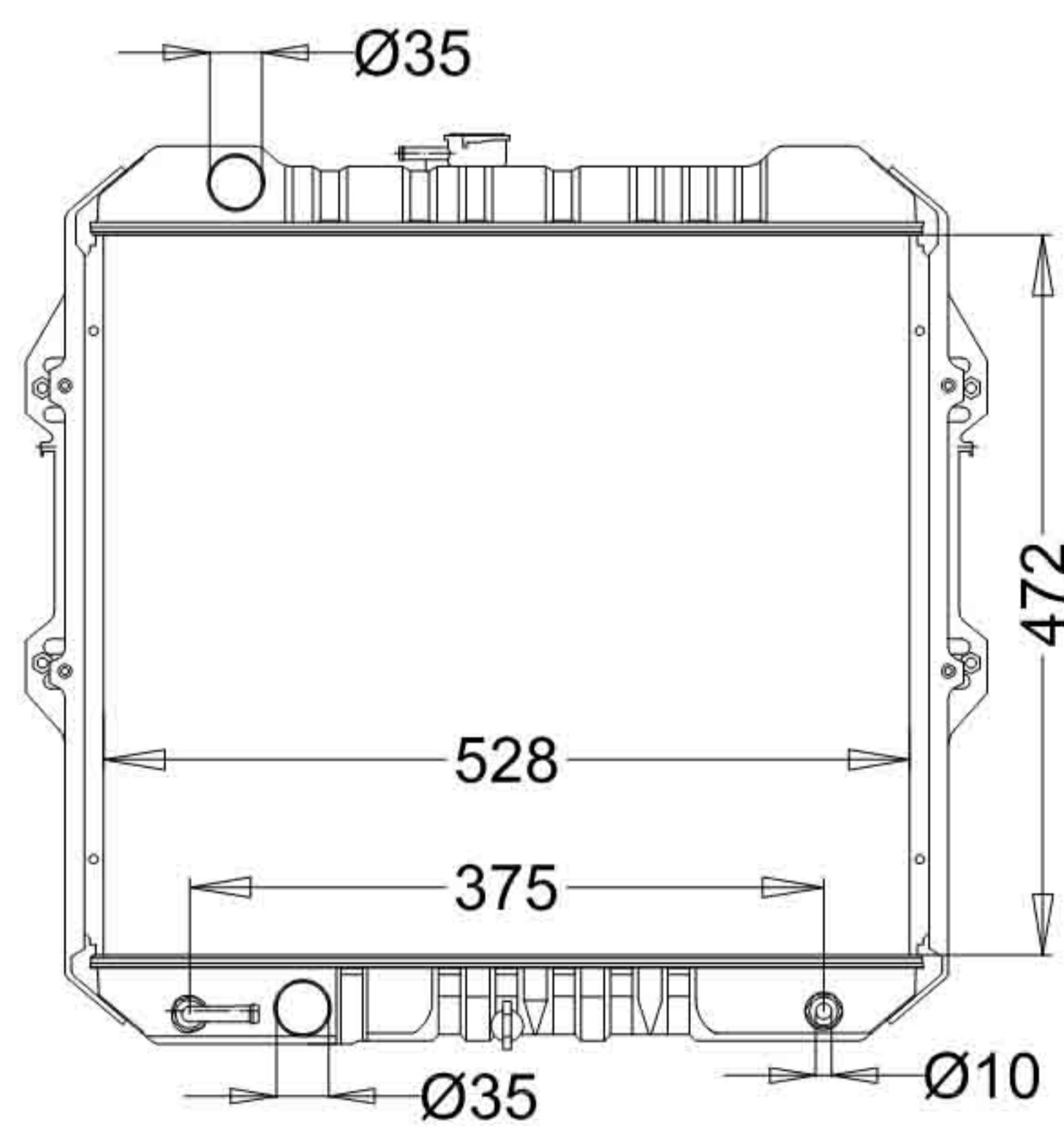
CARTYPE: TOYOTA(丰田HZJ75) MT  
 CORE SIZE: BC 560x514x64 TANK SIZE: 528\*65  
 CARTON:  
 OEM:  
 DPI:

**TO-12142**



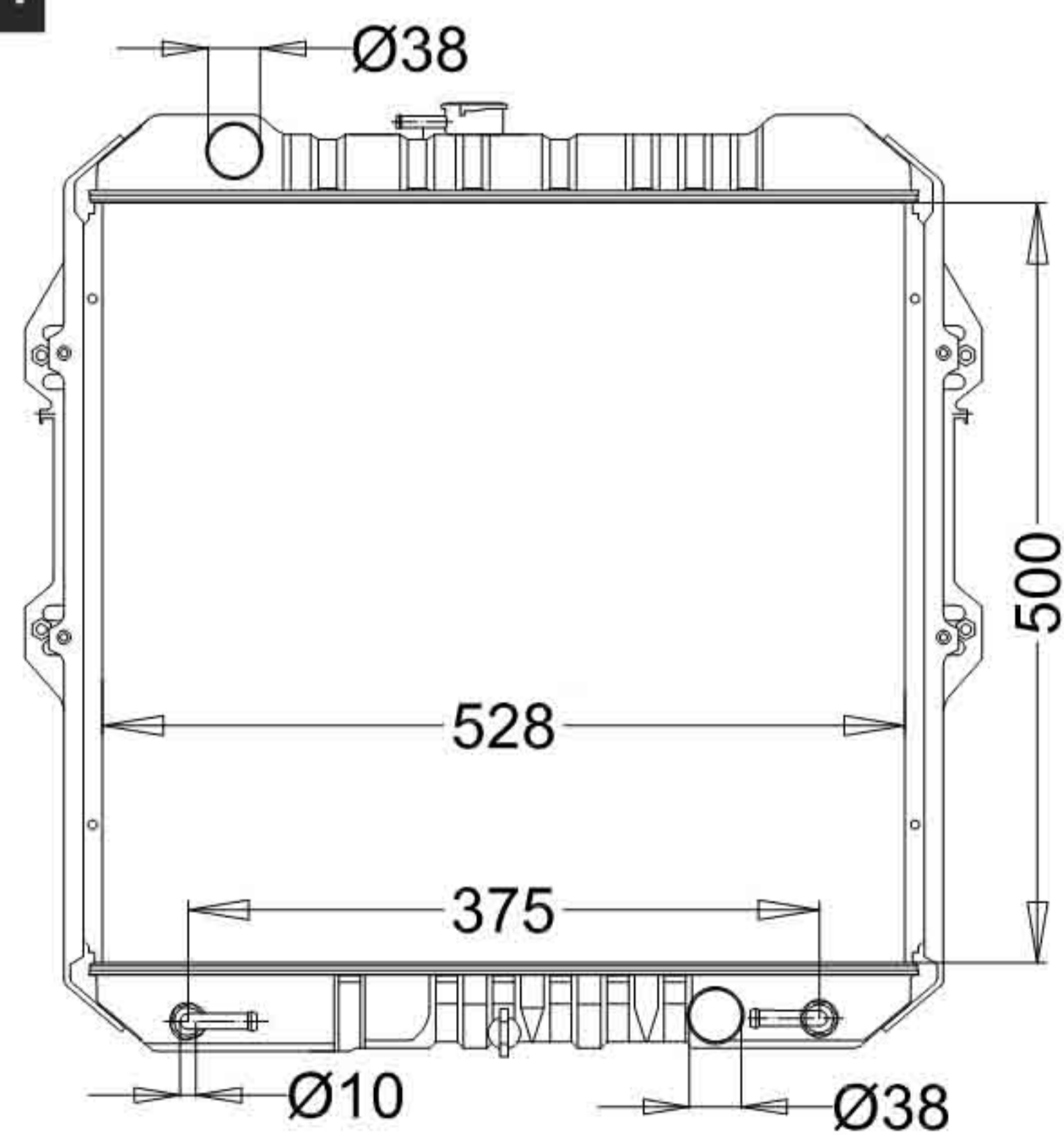
CARTYPE: DYNA 2L MT  
 CORE SIZE: BC 385\*508\*48 TANK SIZE: 65\*528  
 CARTON: 640\*190\*580  
 OEM:  
 DPI:

**TO-12143**



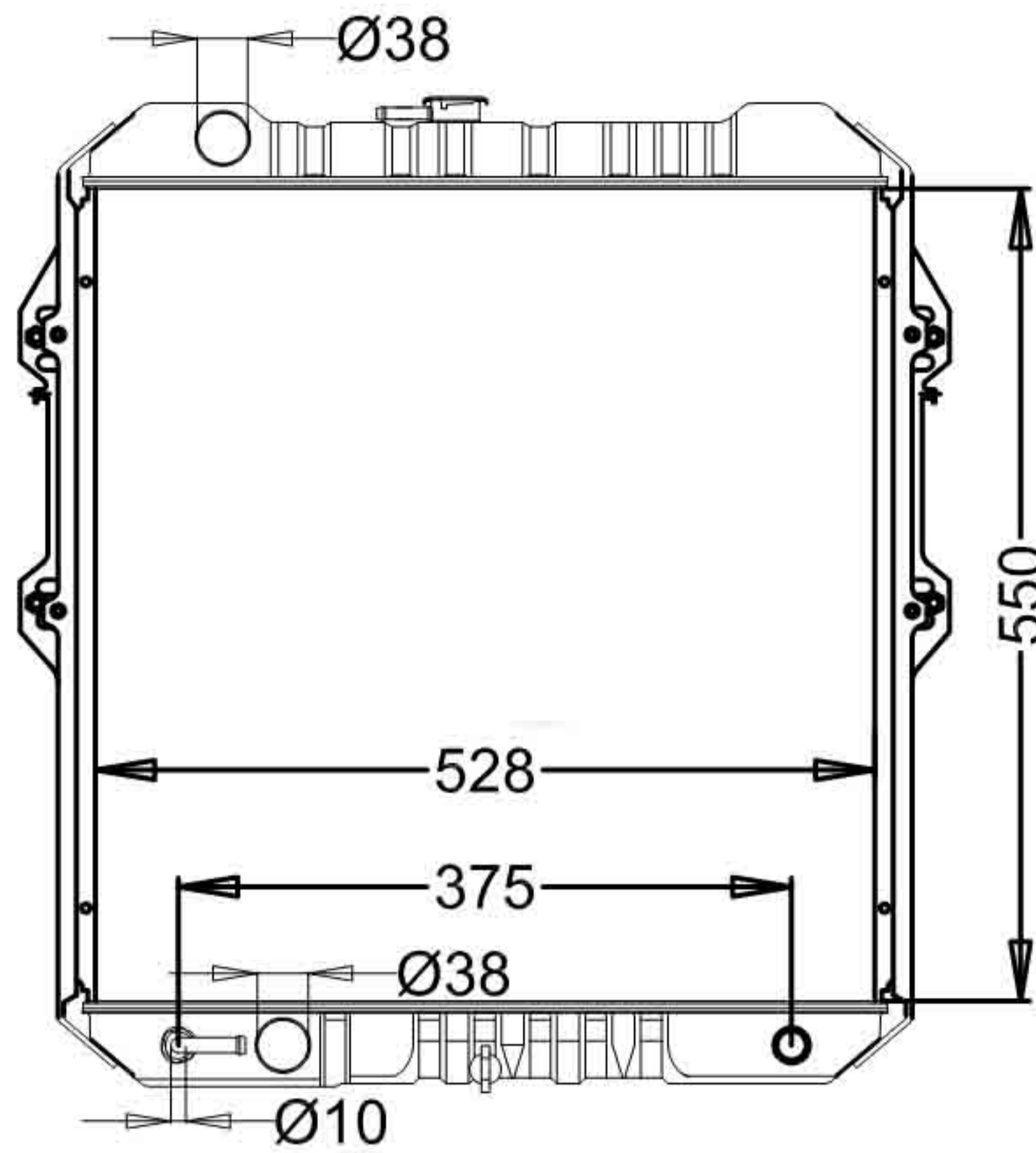
CARTYPE: HILUX LN147R 3.0L'97 ATM  
 CORE SIZE: BC: 472x528x32/49 TANK SIZE: 65\*528  
 CORE SIZE:  
 OEM:  
 DPI:

**TO-12144**



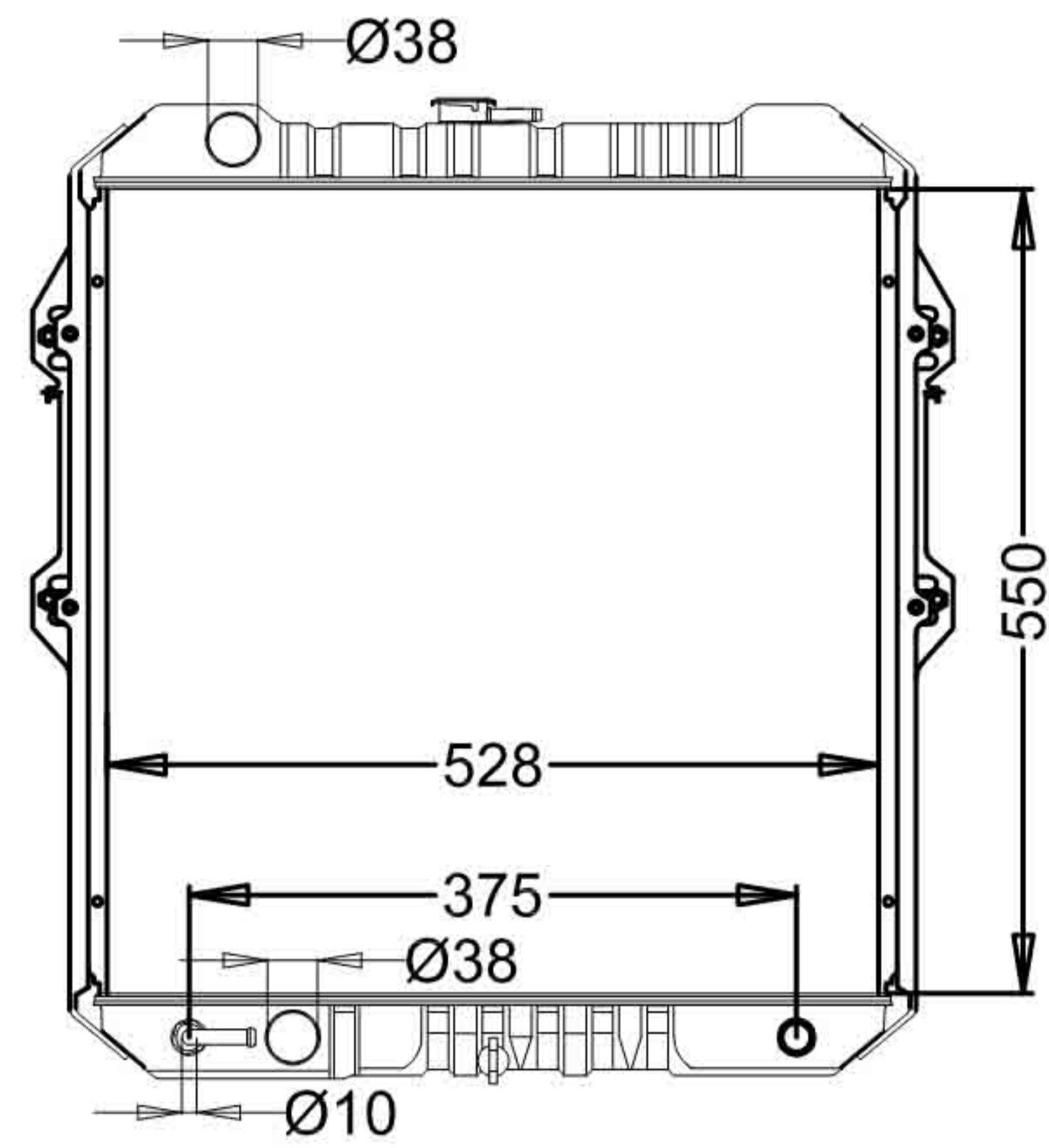
CARTYPE: HILUX4x4'02 ATM  
 CORE SIZE: BC: 500x528x32/49 TANK SIZE: 65\*528  
 CORE SIZE:  
 OEM:  
 DPI:

**TO-12145**



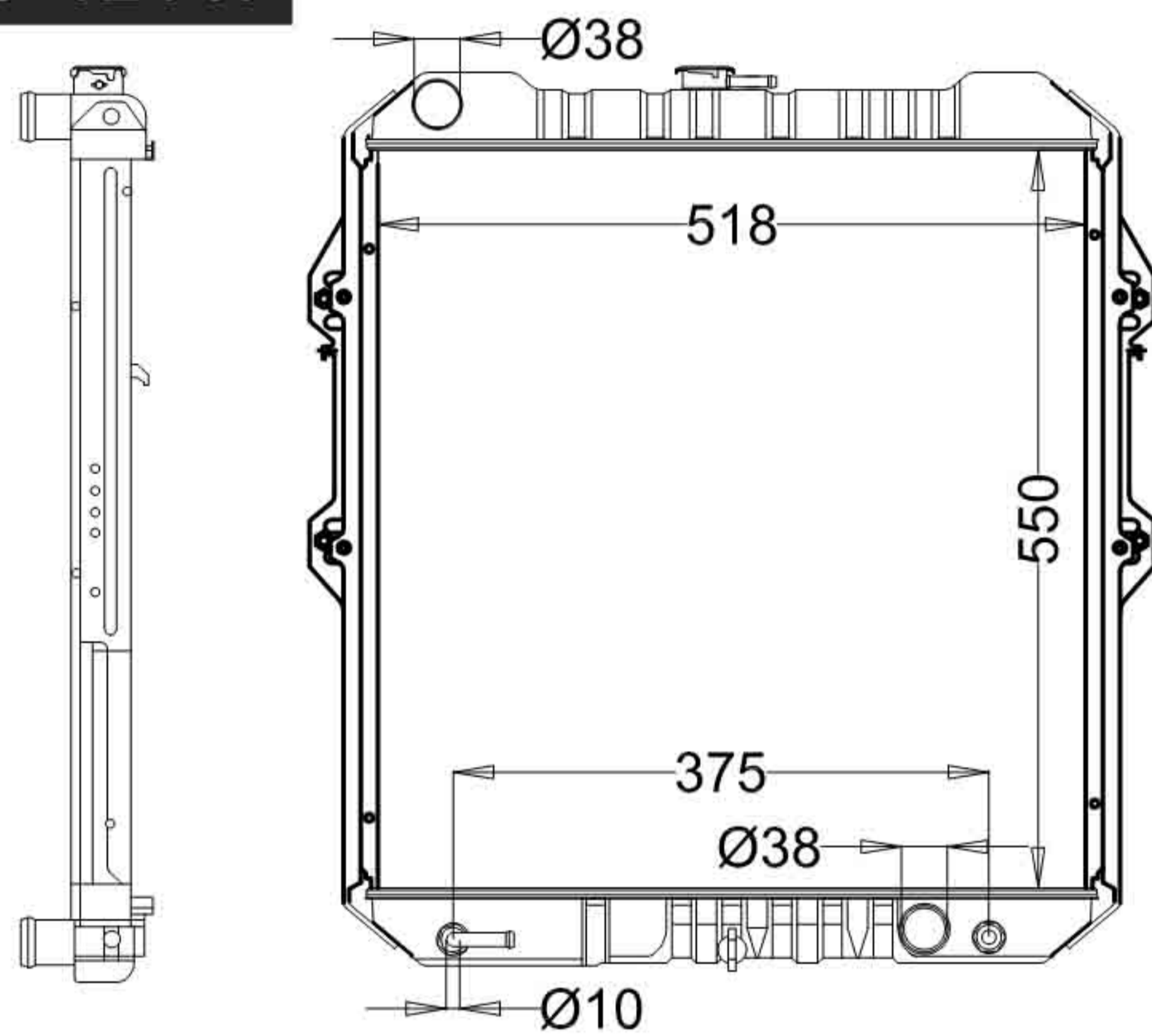
CARTYPE : KZN165R 3.0L TURBO DIESEL'99 ATM  
 CORE SIZE : BC : 550 × 528 × 32/49 TANK SIZE : 65\*528  
 CORE SIZE :  
 OEM :  
 DPI :

**TO-12146**



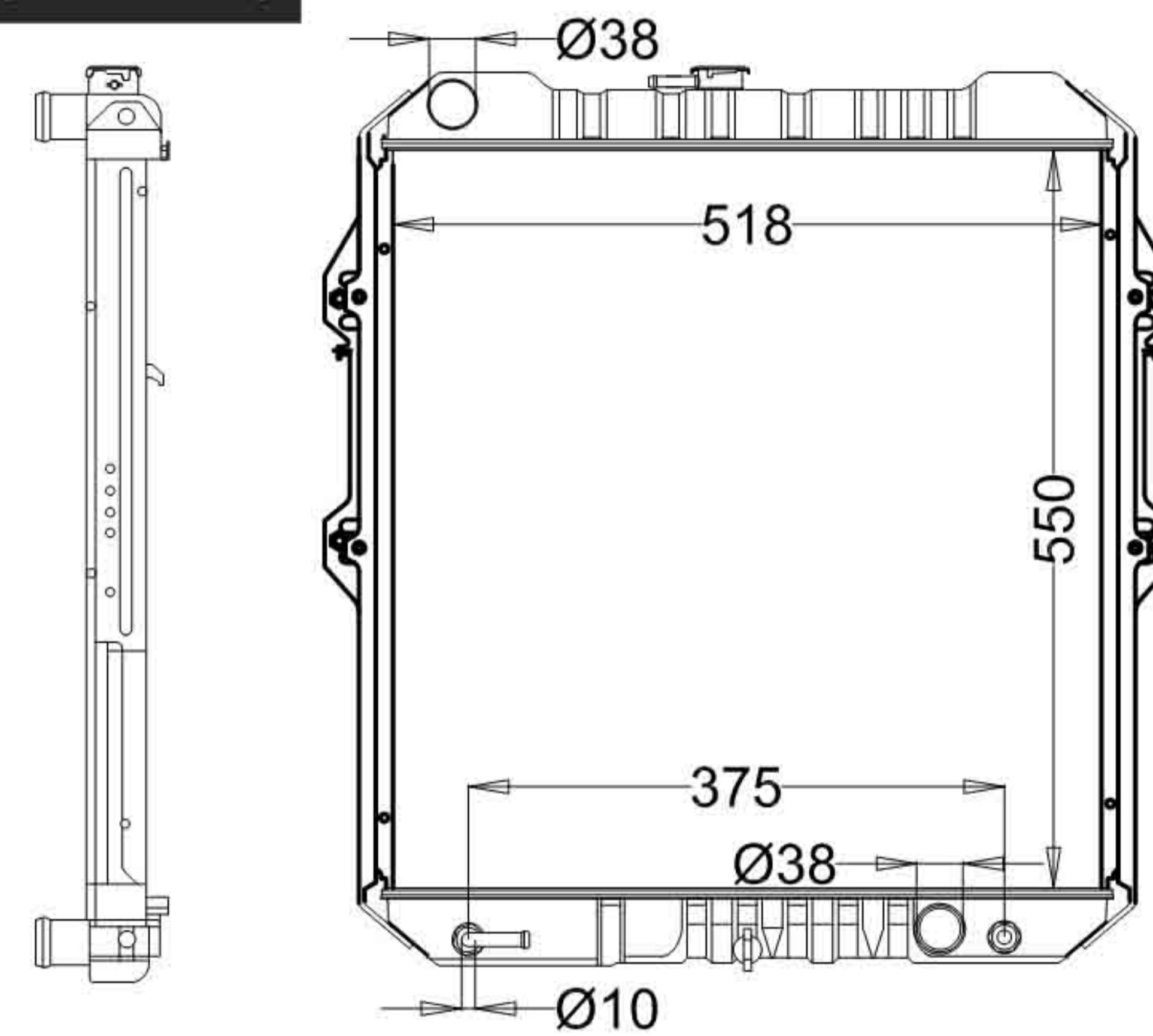
CARTYPE : KZN165R 3.0L TURBO DIESEL'99 ATM  
 CORE SIZE : BC : 550 × 528 × 32/49 TANK SIZE : 65\*528  
 CORE SIZE :  
 OEM :  
 DPI :

**TO-12147**



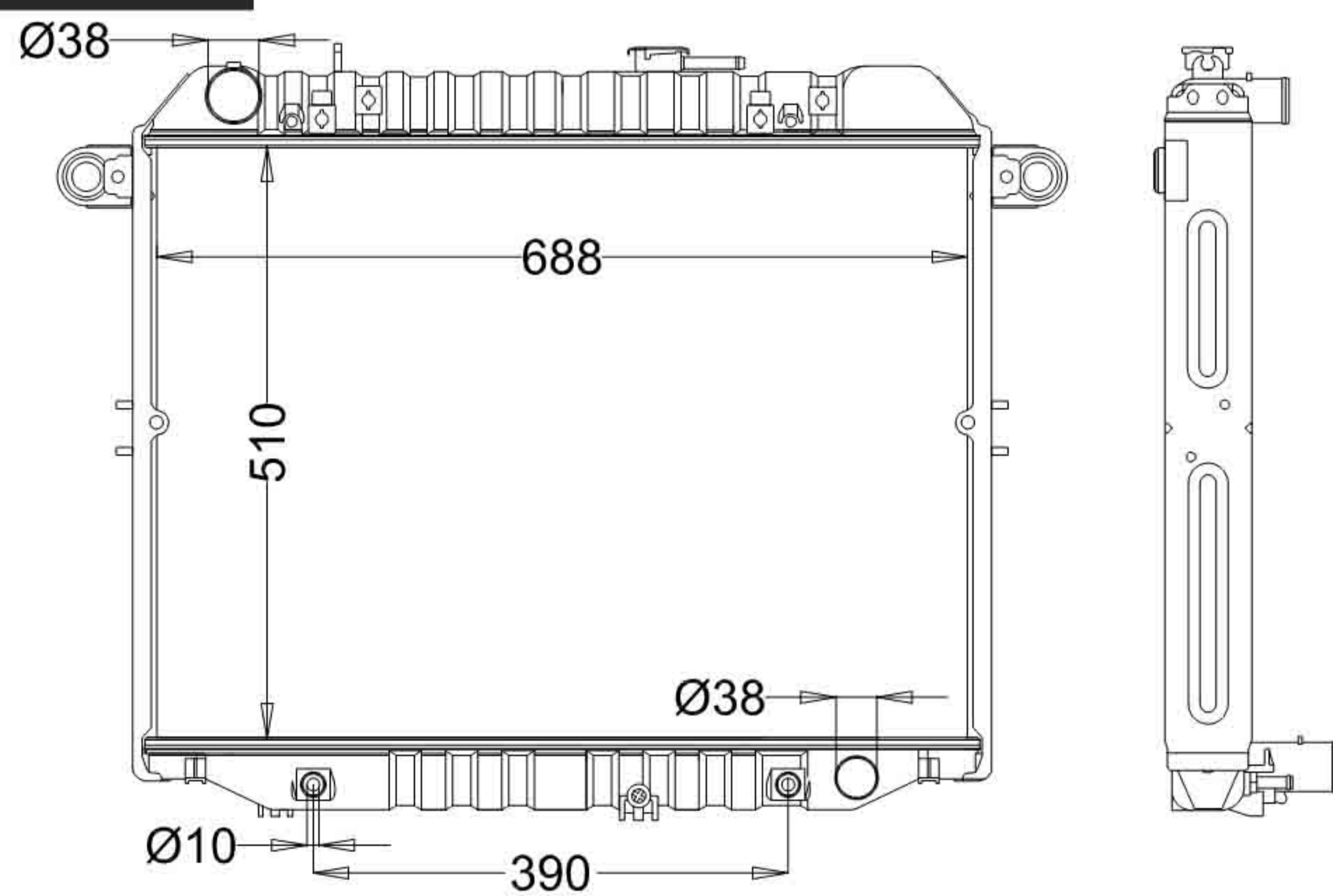
CARTYPE :  
 CORE SIZE : BC : 550\*518\*32 TANK SIZE : 65\*528  
 CORE SIZE :  
 OEM :  
 DPI :

**TO-12148**



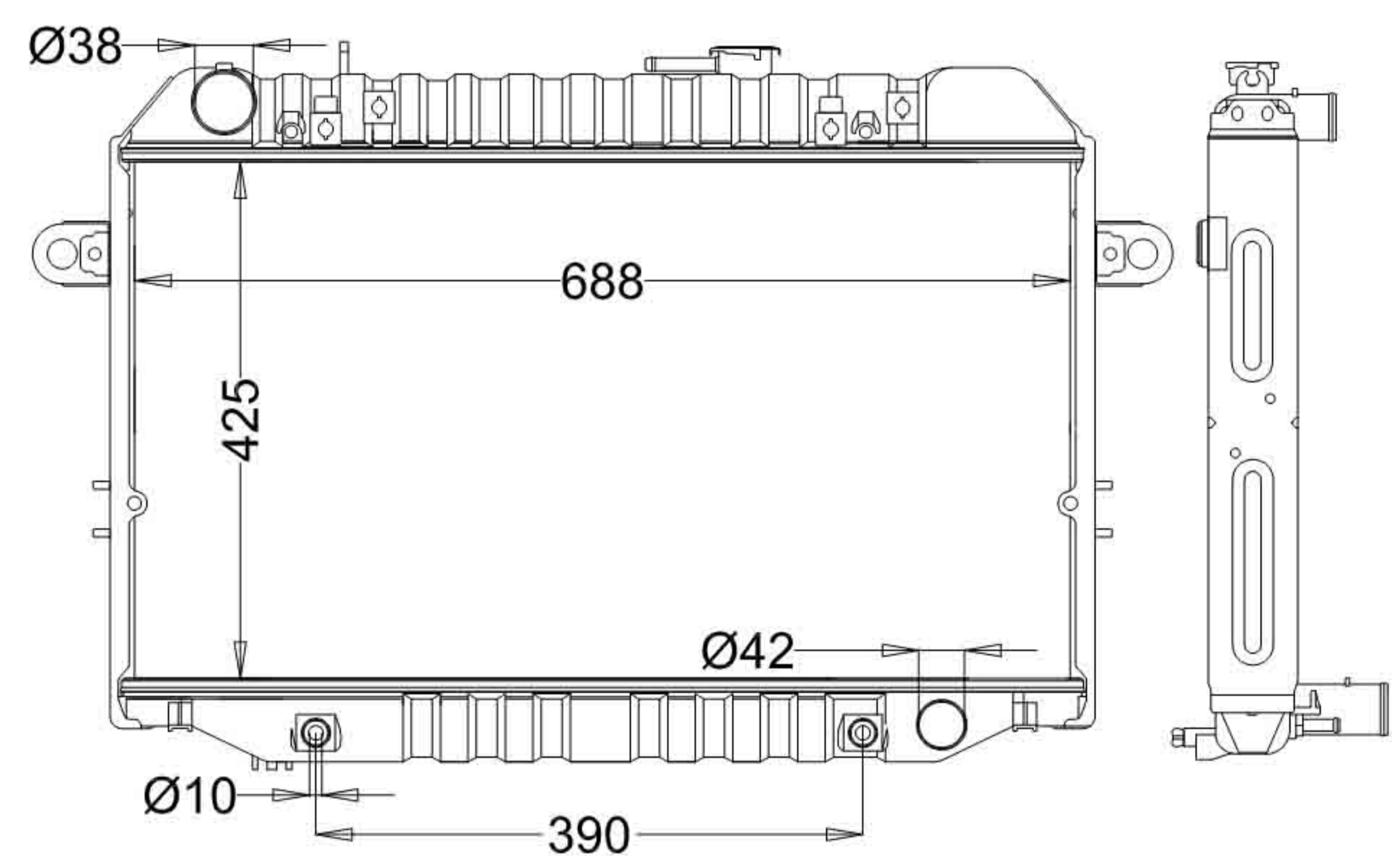
CARTYPE :  
 CORE SIZE : BC : 550\*518\*32 TANK SIZE : 65\*528  
 CORE SIZE :  
 OEM :  
 DPI :

**TO-12149**



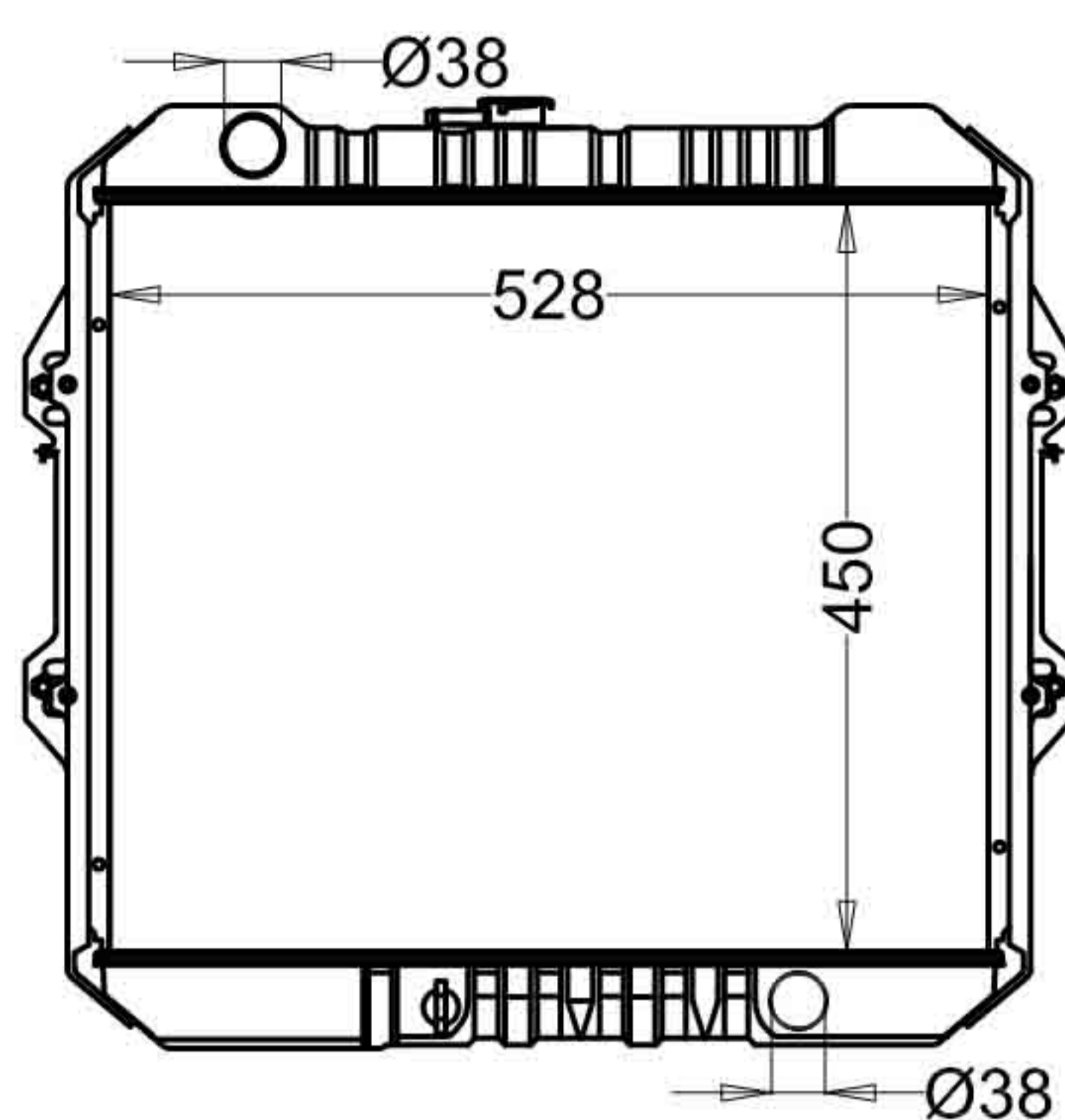
CARTYPE: LANDCRUISER AT  
 CORE SIZE: BC 510x688x64 TANK SIZE: 70\*720  
 CARTON:  
 OEM:  
 DPI:

**TO-12150**



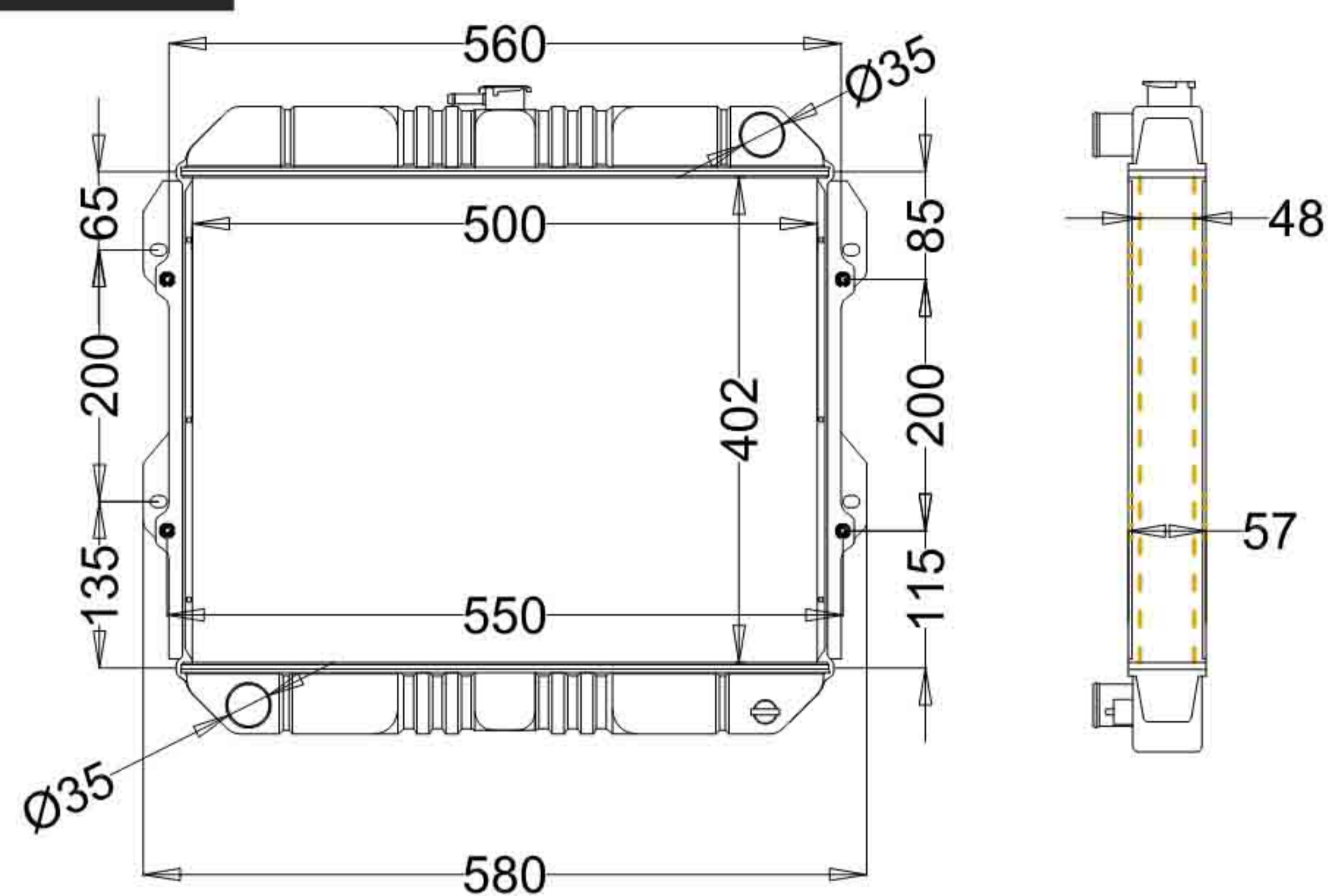
CARTYPE: LAND CRUISER 4.2TD 1HDFTE' 98- AT  
 CORE SIZE: BC 425\*688\*64 TANK SIZE: 70\*720  
 CARTON:  
 OEM:16400-17320  
 DPI:

## TO-12151



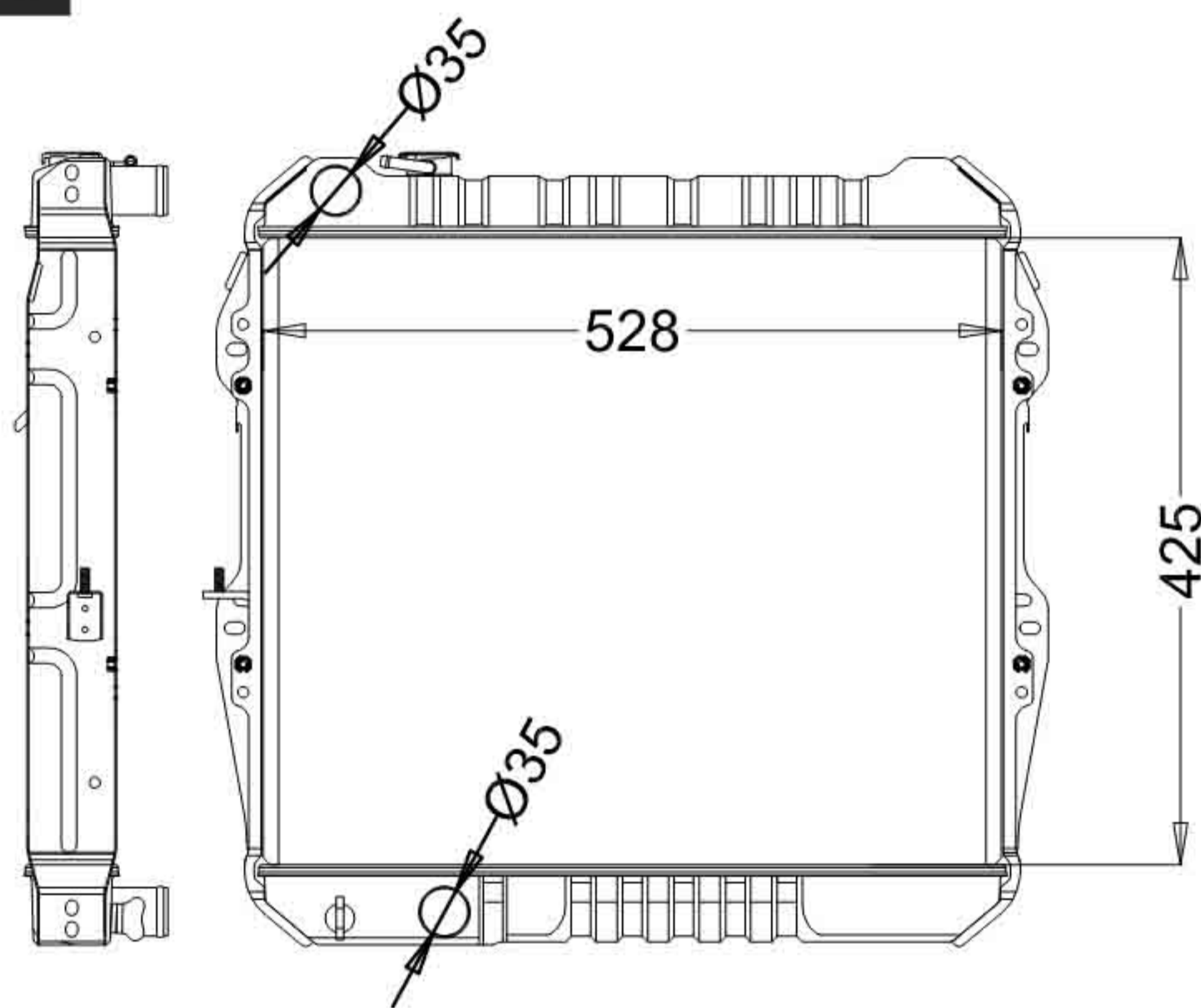
CARTYPE : TOYOTA PICKUP MTM  
 CORE SIZE : BC : 450 × 528 × 32 /49 TANK SIZE : 65\*528  
 CAROTN:  
 OEM : 16410-0L020  
 DPI :

## TO-12152



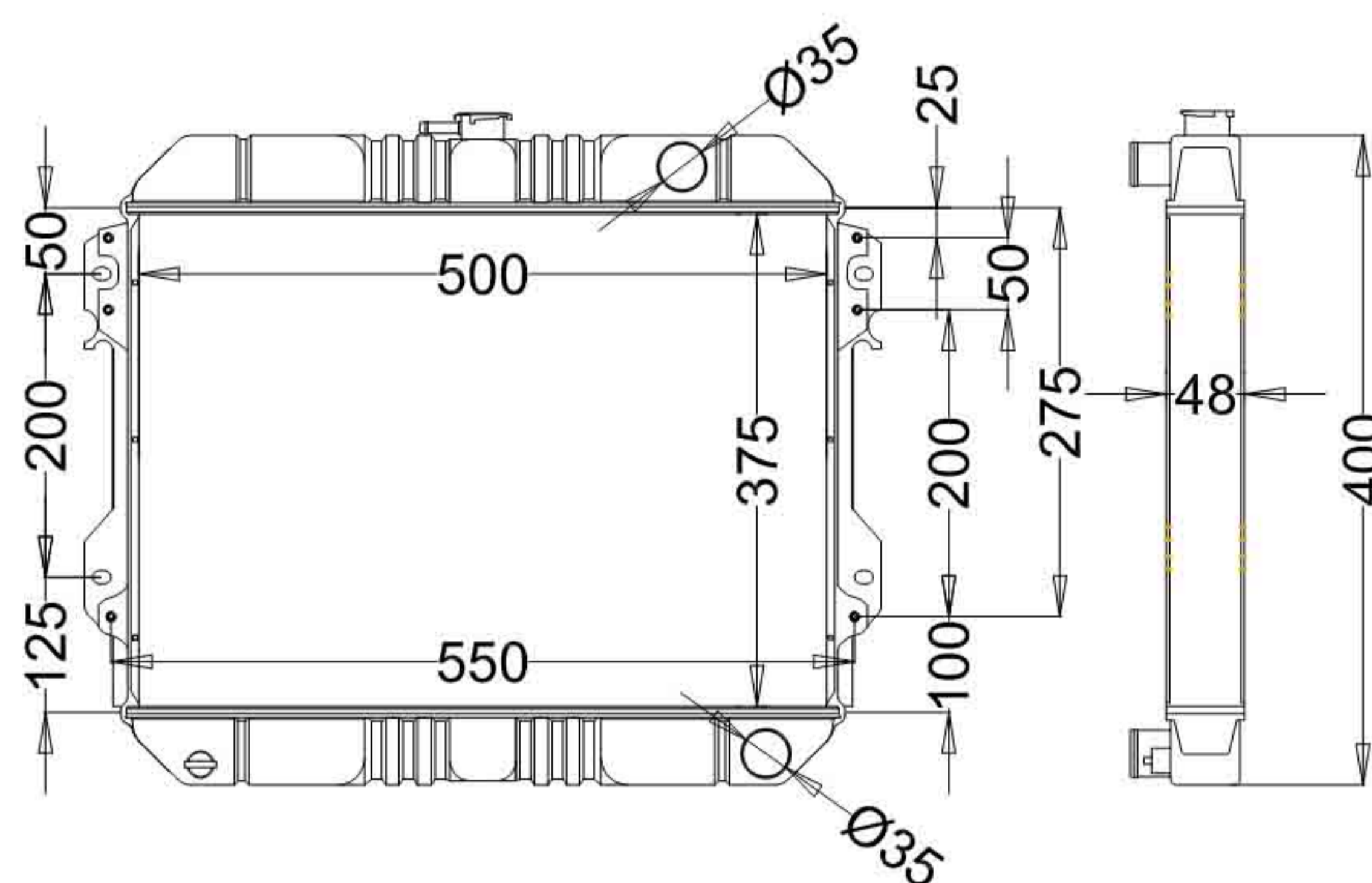
CARTYPE : HILUX(海拉克斯)  
 CORE SIZE : BC : 402 × 500 × 48 TANK SIZE : 65\*528  
 CAROTN:  
 OEM :  
 DPI :

## TO-12153



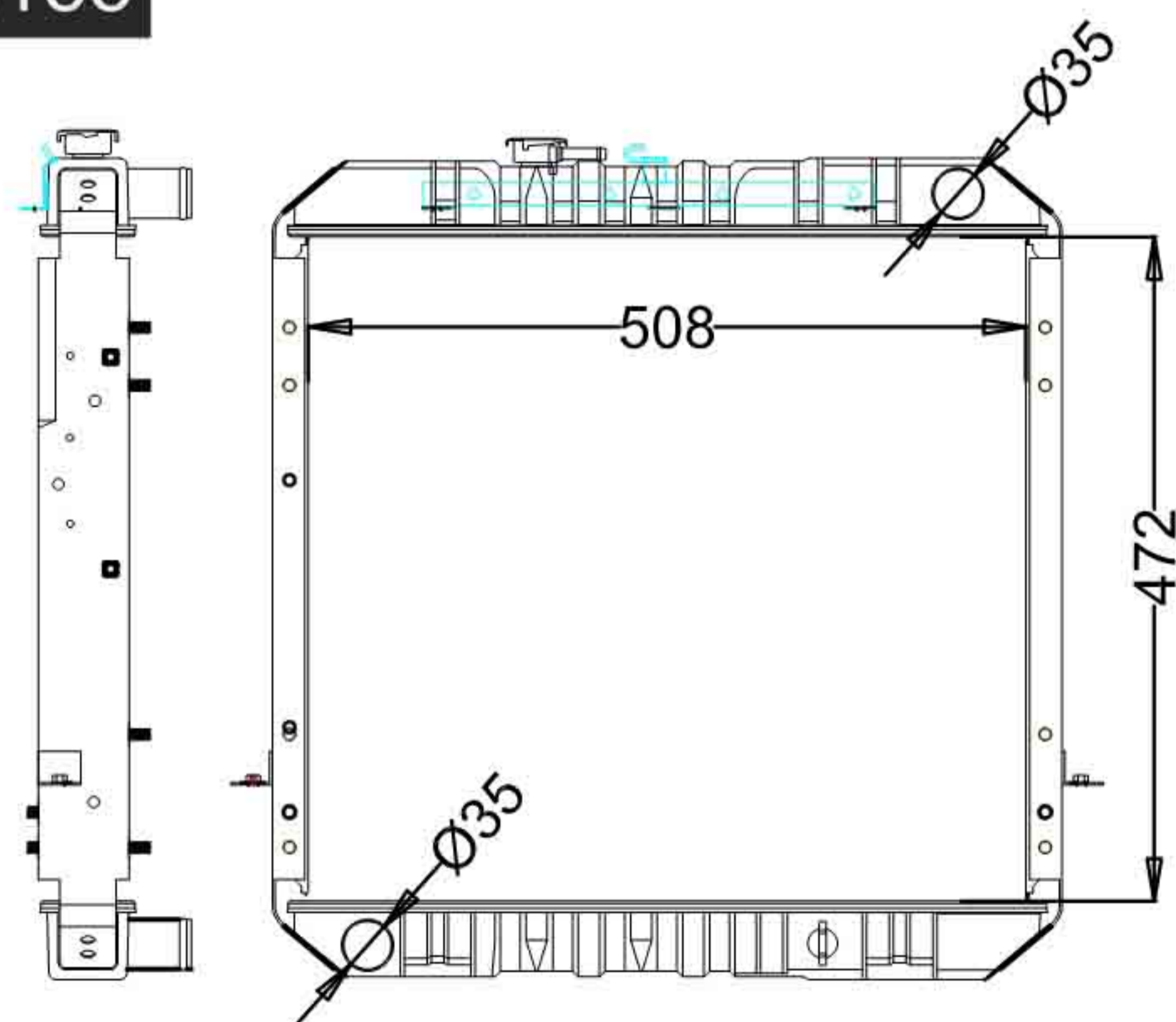
CARTYPE: HILUX 2.4/3.0'89 LN85(D) LN10# MT  
 CORE SIZE: BC 425x528x49 TANK SIZE: 65\*528  
 CARTON: 650\*600\*137  
 OEM:16400-54610/513470  
 DPI:

## TO-12154



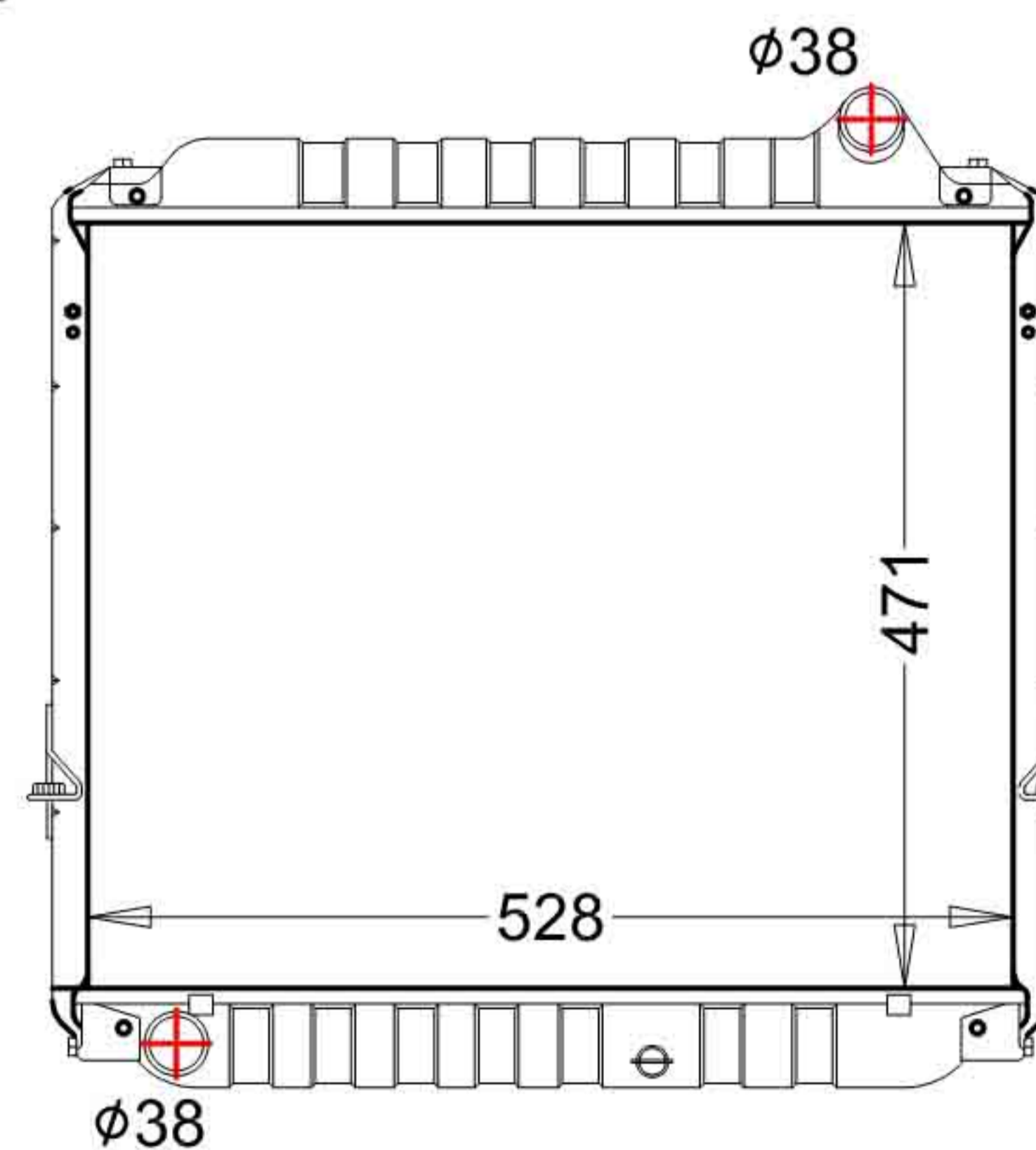
CARTYPE : HILUX(海拉克斯)  
 CORE SIZE : BC : 375 × 500 × 48 TANK SIZE : 65\*528  
 CAROTN:  
 OEM :  
 DPI :

## TO-12155



CARTYPE : HIACE' 87-95 3Y MT  
 CORE SIZE : BC : 472 × 508 × 32 /49 TANK SIZE : 60/60\*536  
 CAROTN: 625\*135\*625  
 OEM :  
 DPI :

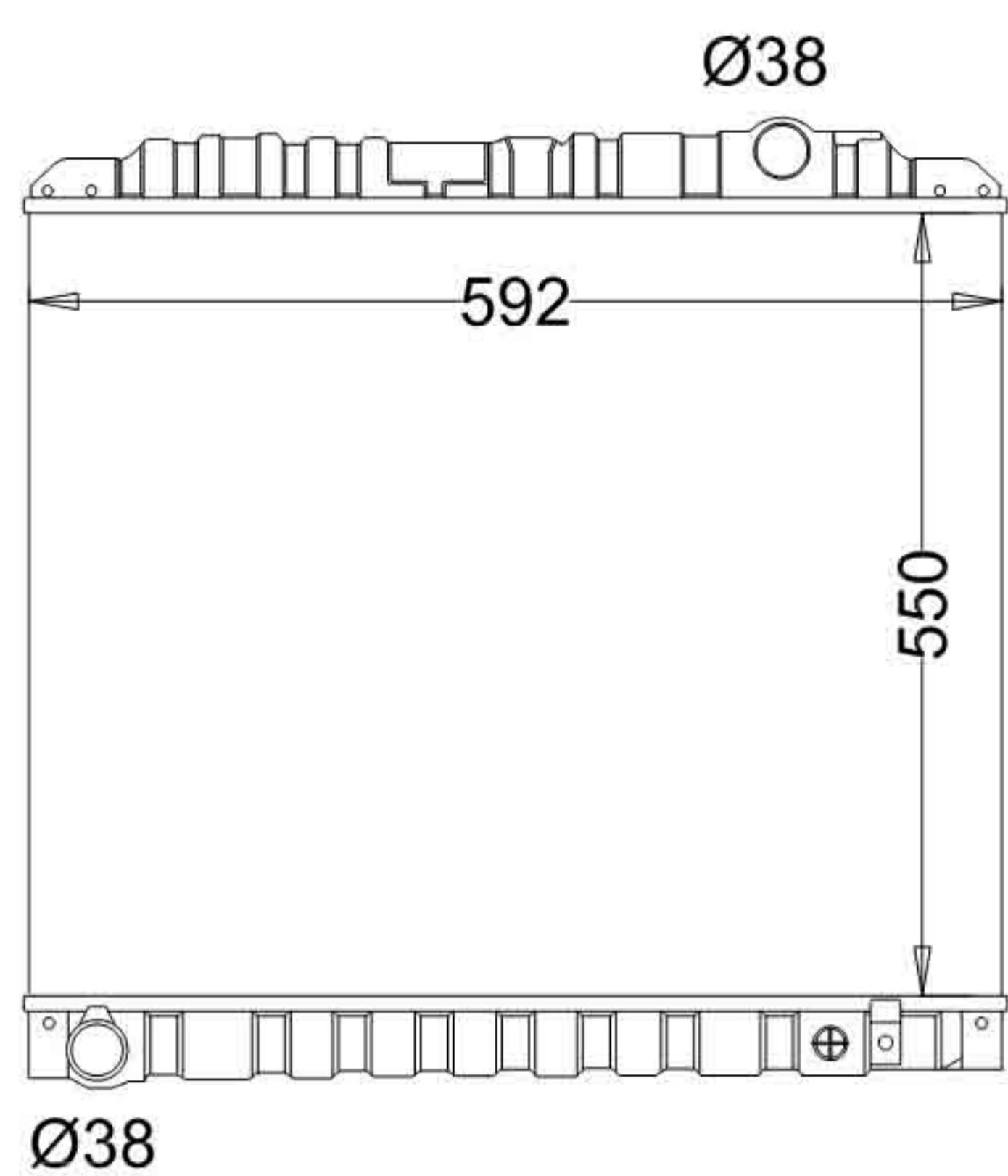
## TO-12156



CARTYPE : New Dyna 1995-2000 MT  
 CORE SIZE : BC : 471\*528\*45 TANK SIZE : 71\*547  
 CAROTN:  
 OEM : 1640058420  
 DPI :

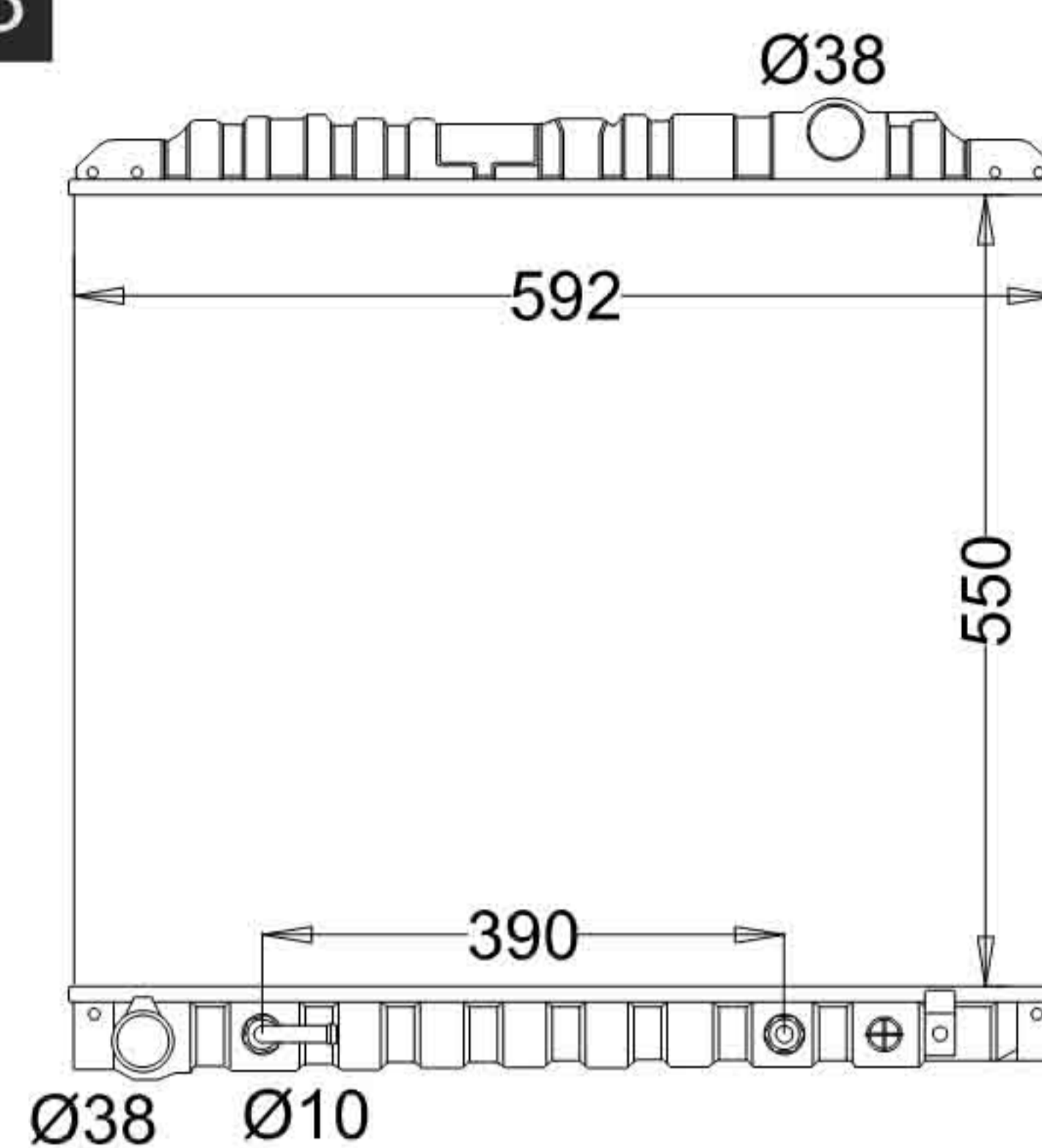
# TOYOTA

**TO-12157**



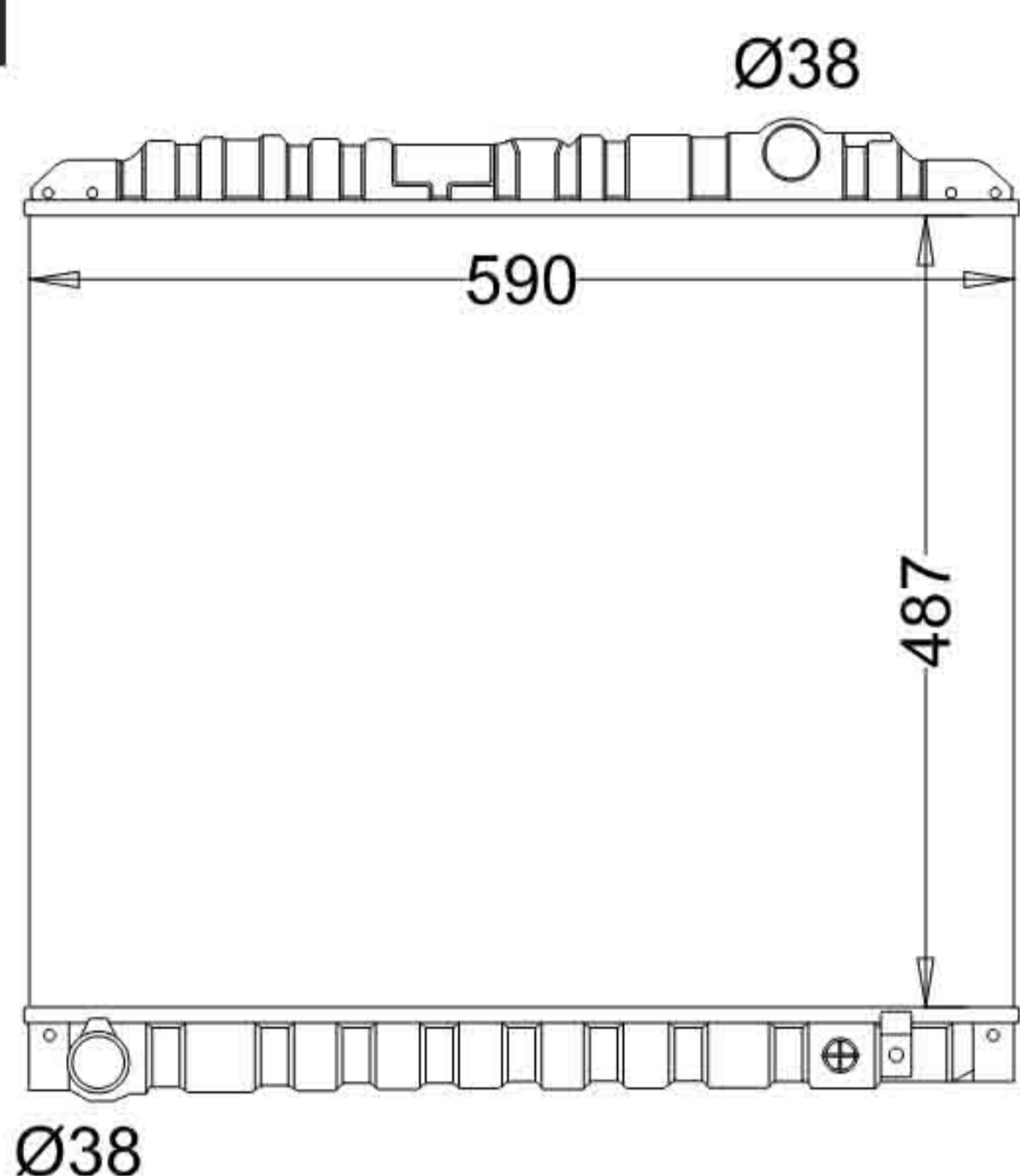
CARTYPE : DYAN/TOYOACE 00-02 MTM  
 CORE SIZE : BC :550\*592\*36 TANK SIZE :69\*612  
 CORE SIZE :  
 OEM :16400-58650  
 DPI :

**TO-12158**



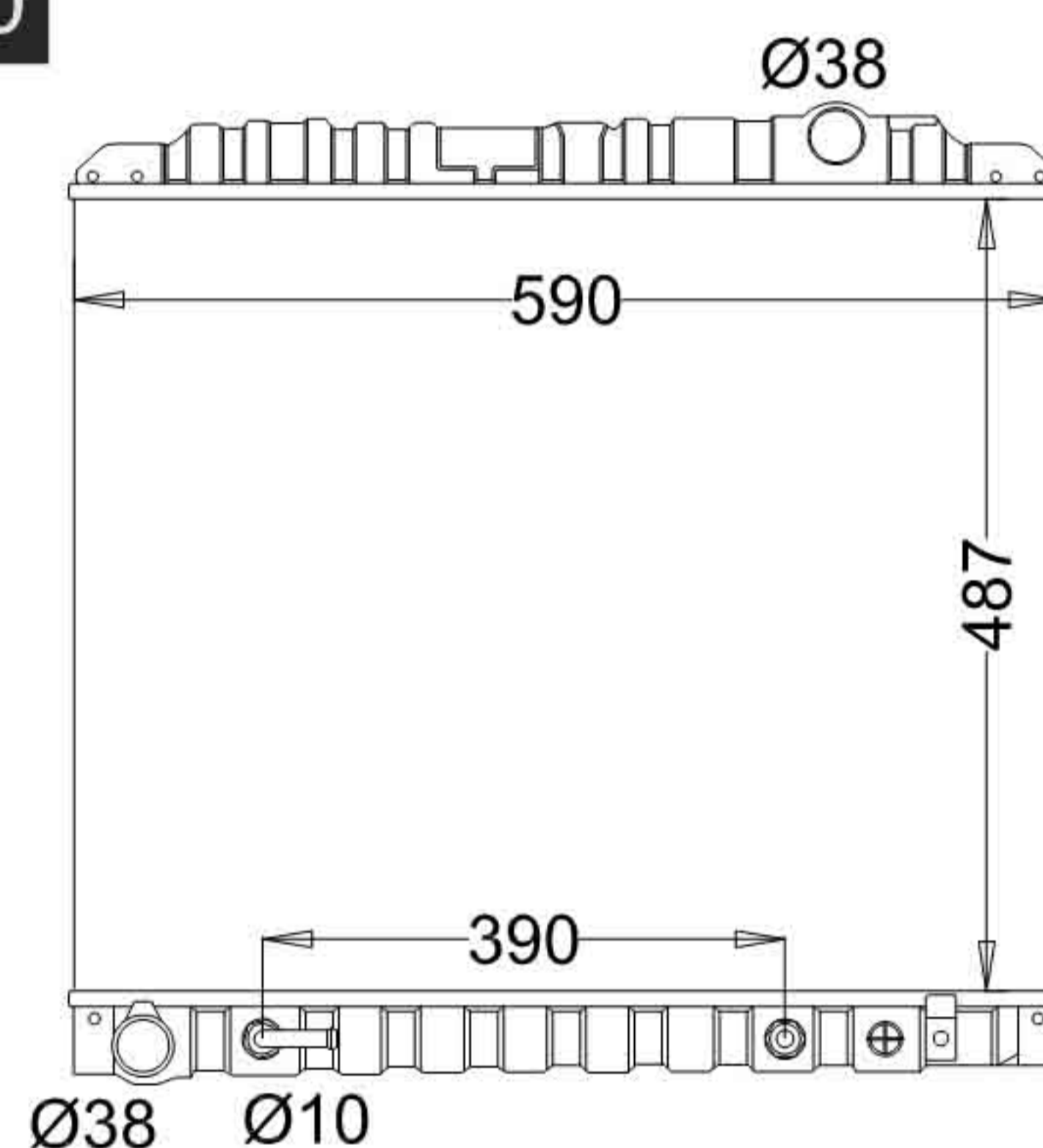
CARTYPE : DYAN/TOYOACE 95-97 ATM  
 CORE SIZE : BC :550\*592\*36 TANK SIZE :69\*613  
 CORE SIZE :  
 OEM :16400-58710  
 DPI :

**TO-12159**



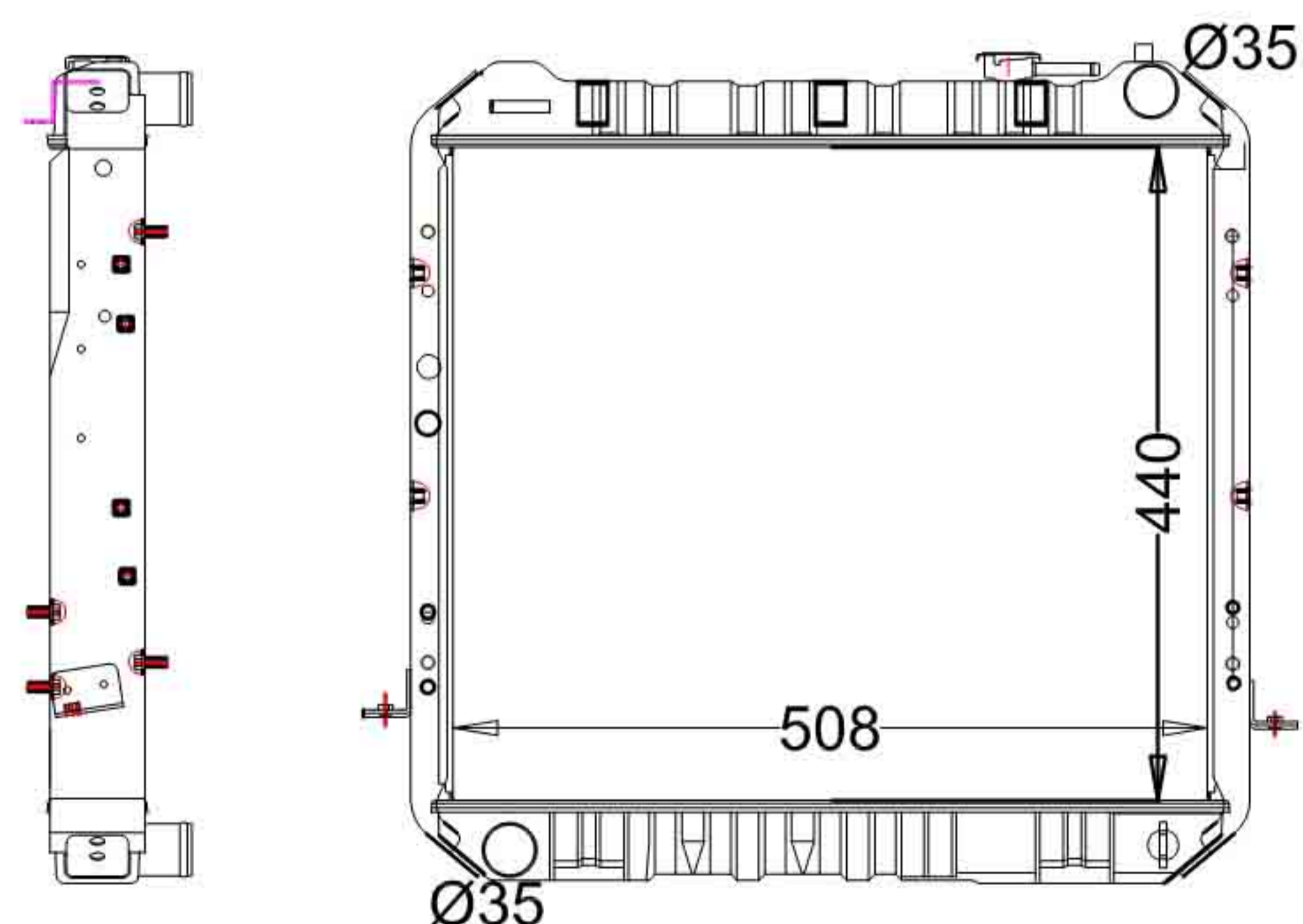
CARTYPE : DYAN/TOYOACE 95-97 MTM  
 CORE SIZE : BC :487\*590\*48 TANK SIZE :69\*613  
 CORE SIZE :  
 OEM :16400-58490/58491/58610/58460  
 DPI :

**TO-12160**



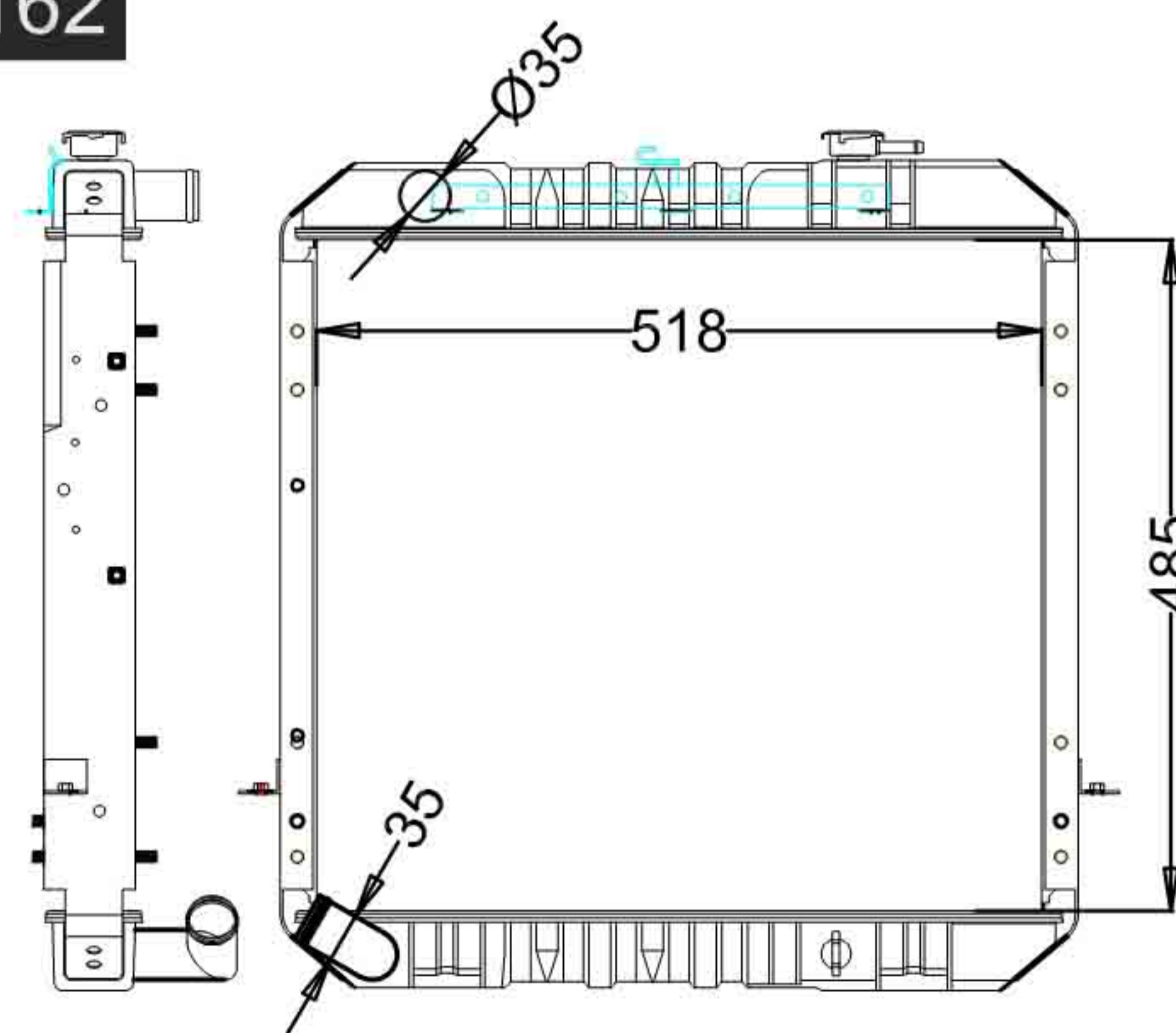
CARTYPE : DYAN/TOYOACE 95-97 ATM  
 CORE SIZE : BC :487\*590\*32 TANK SIZE :69\*613  
 CORE SIZE :  
 OEM :16400-58480  
 DPI :

**TO-12161**



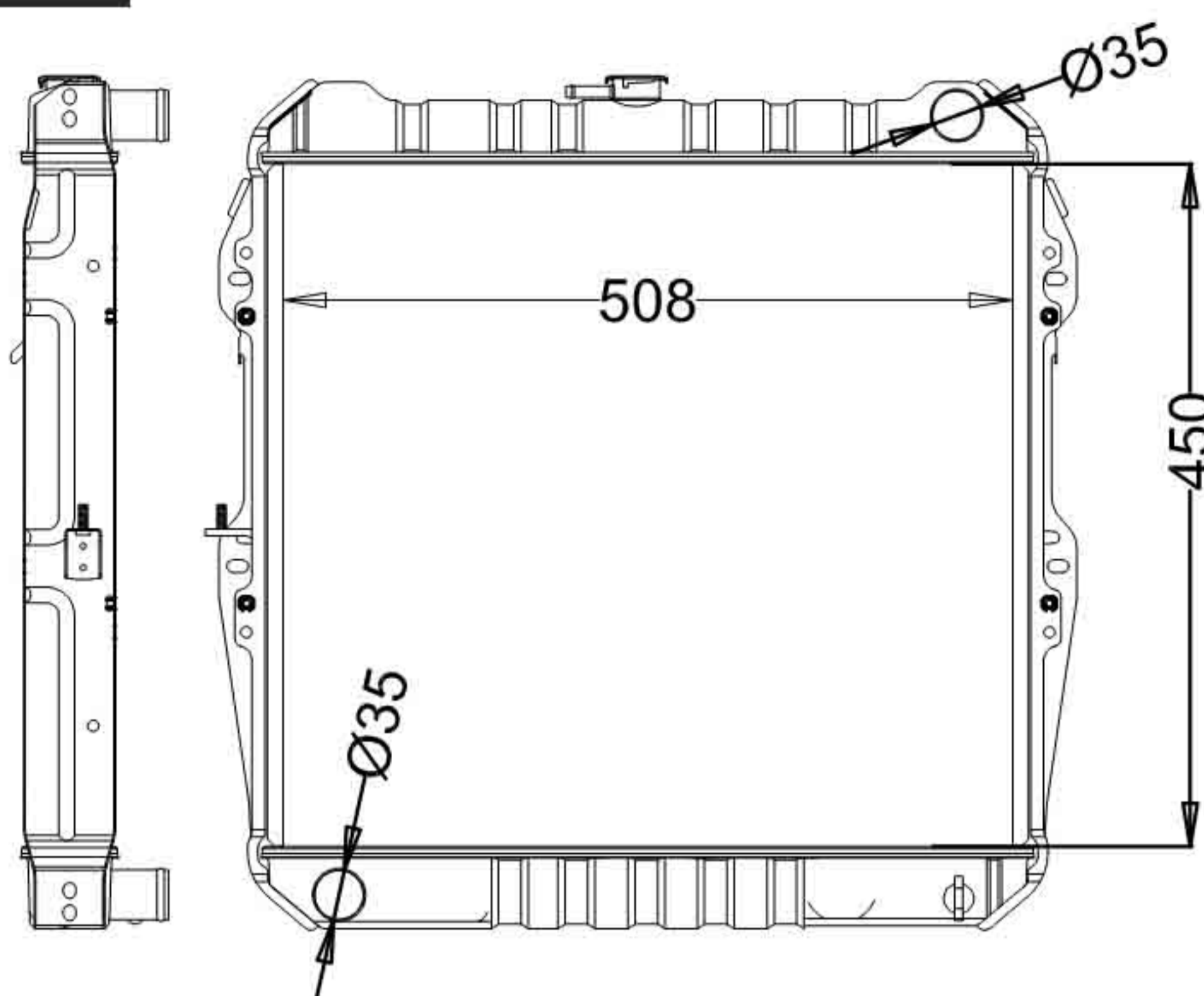
CARTYPE : 22R  
 CORE SIZE : BC :440\*508\*49 TANK SIZE :535\*65  
 CORE SIZE :  
 OEM :  
 DPI :

**TO-12162**



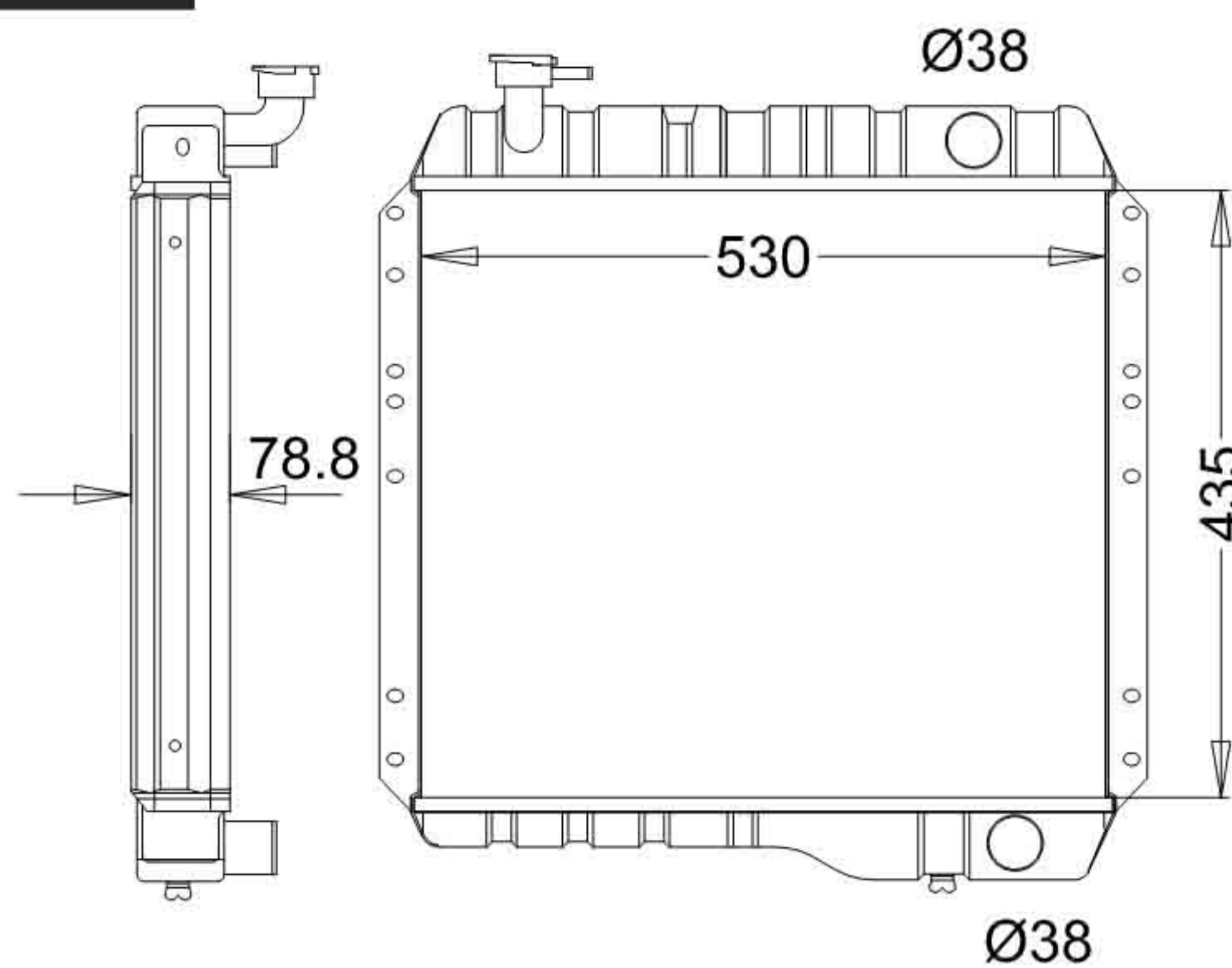
CARTYPE : TOYOTA 54680 MT  
 CORE SIZE : BC :485\*518\*48 TANK SIZE :  
 CORE SIZE :  
 OEM :  
 DPI :

## TO-12163



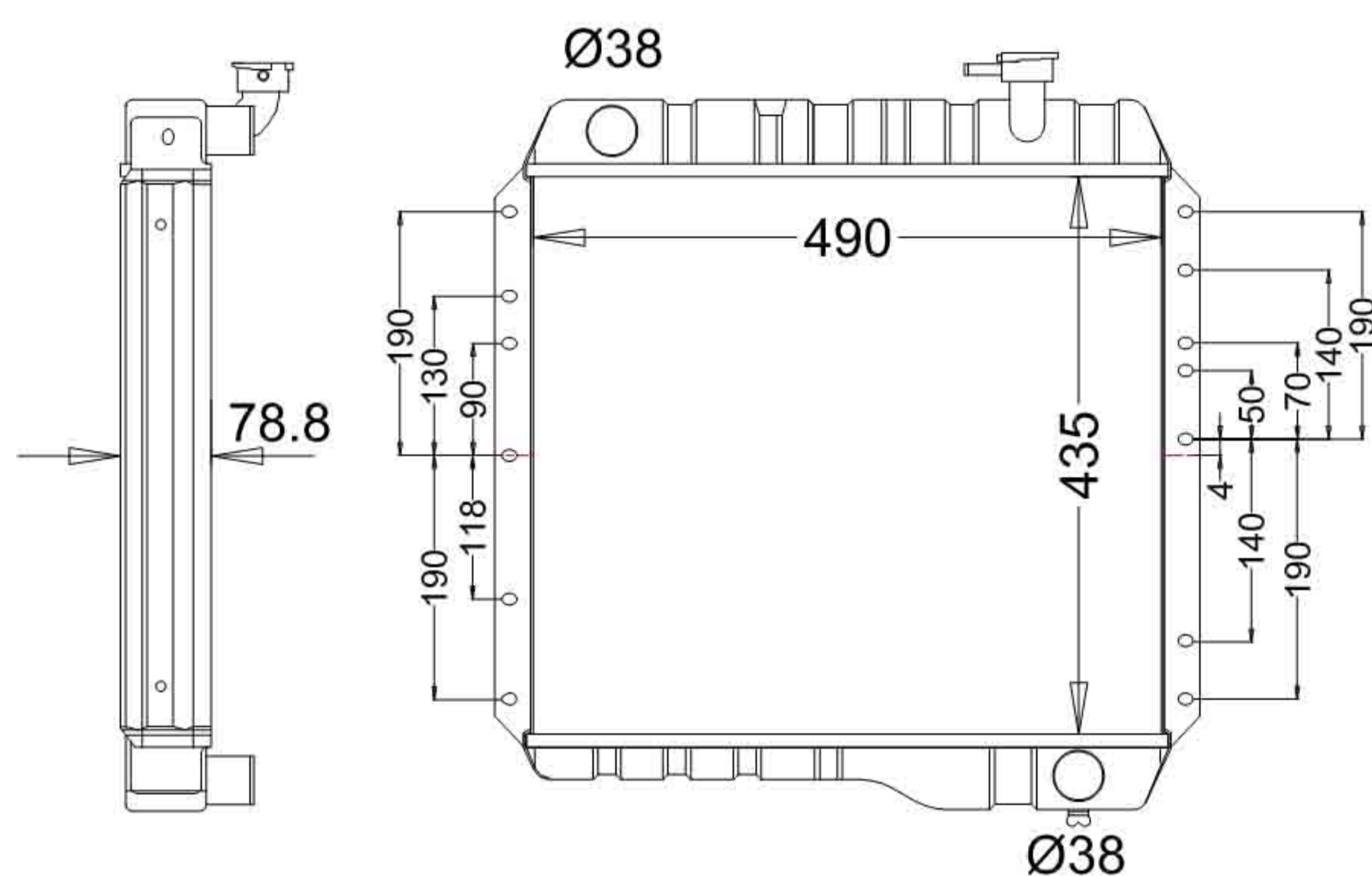
CARTYPE : LN65/RN8#/RN13# 88-99 MT  
 CORE SIZE : BC : 450 × 508 × 32 /49 TANK SIZE : 60/60\*536  
 CAROTN:  
 OEM : 16400-35500/35520  
 DPI :

## TO-12164



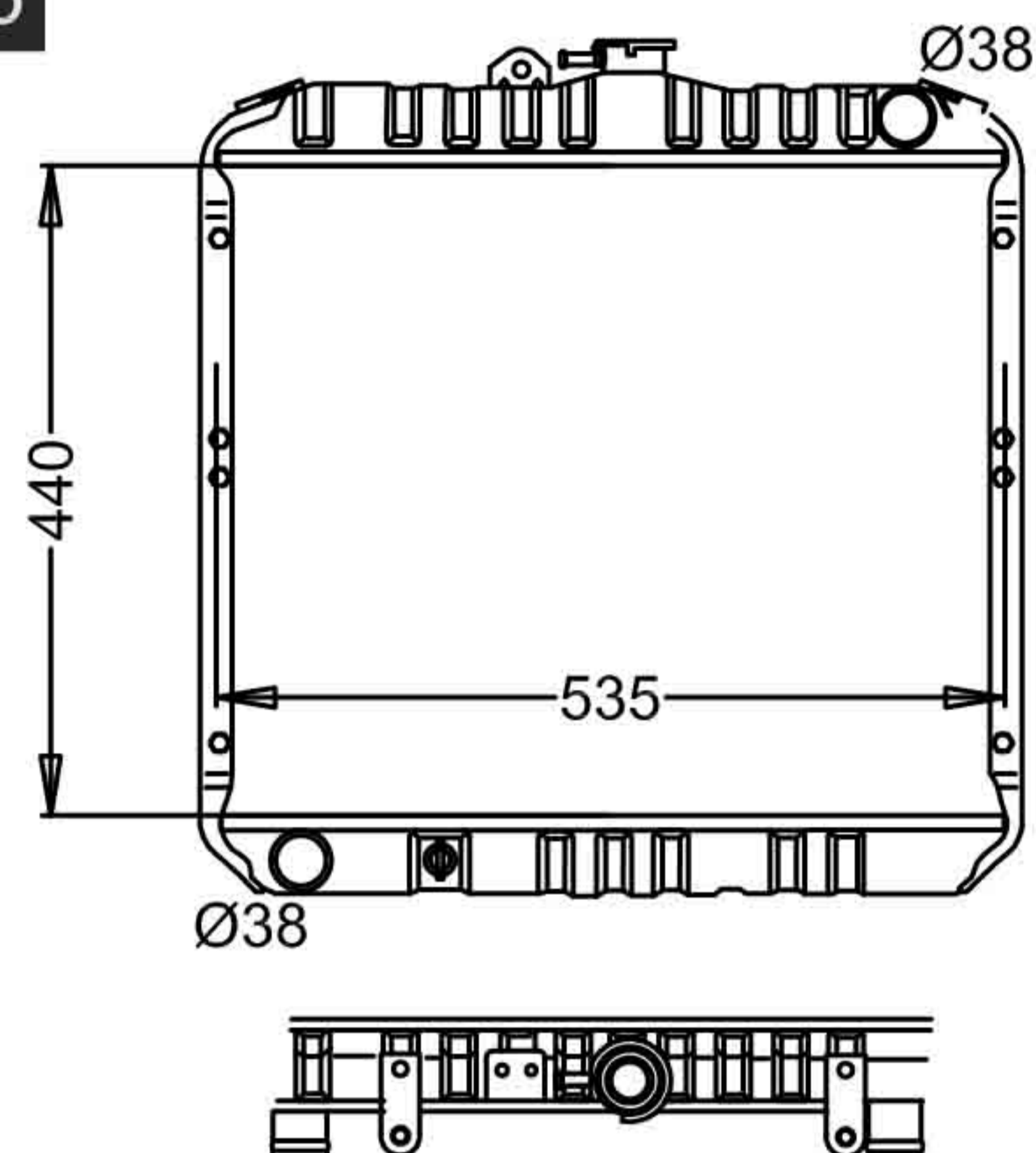
CARTYPE : LANDCRUISER HJ47 4.0L 80-87  
 CORE SIZE : BC : 435\*530\*64 TANK SIZE : 74\*528  
 CAROTN:  
 OEM :  
 DPI :

## TO-12165



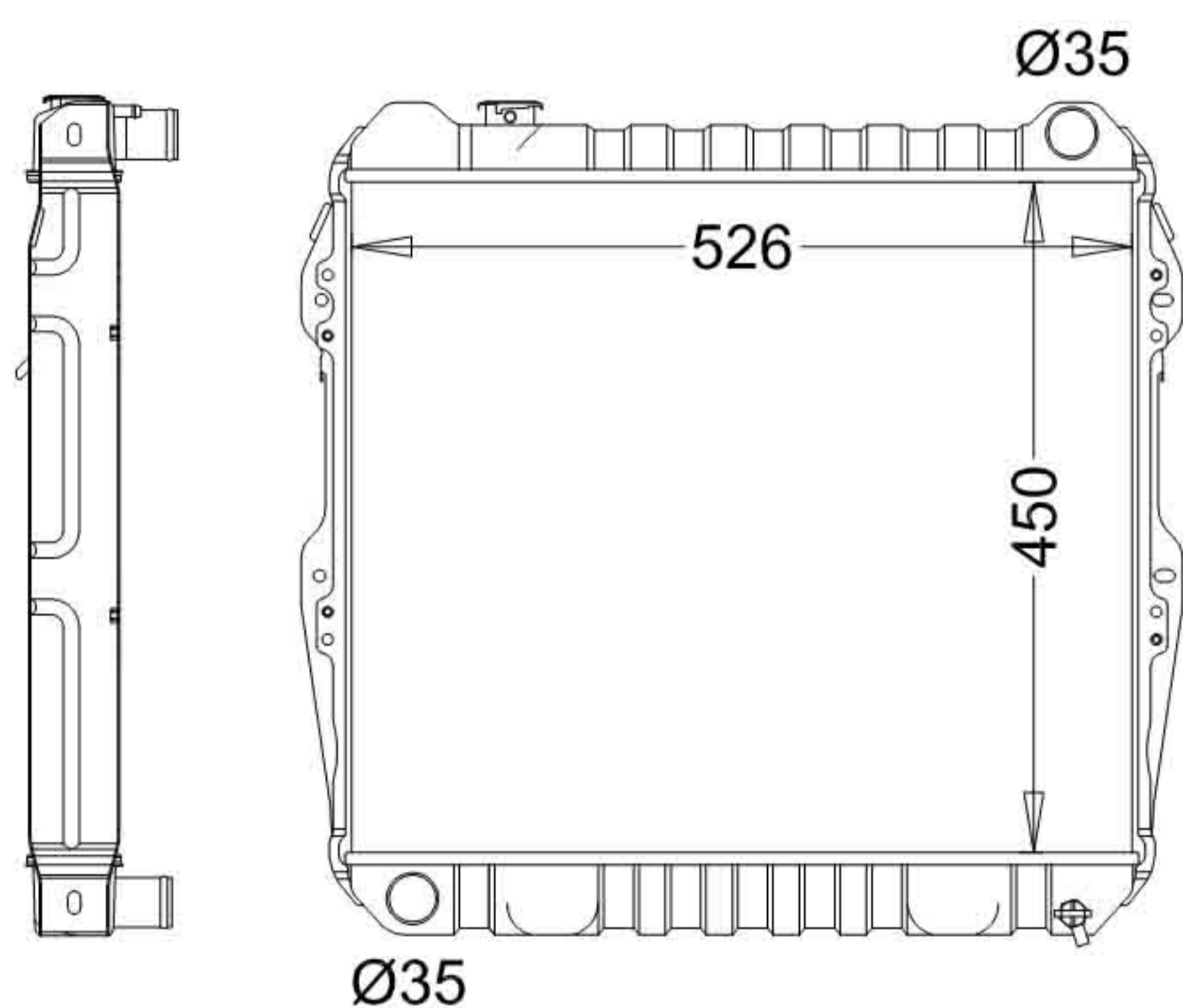
CARTYPE : LANDCRUISER FJ40/2F(陆地巡洋舰) MT  
 CORE SIZE : BC:435 × 490 × 49/64 TANK SIZE : 501.6\*78.8  
 CARTON:  
 OEM :  
 DPI :

## TO-12166



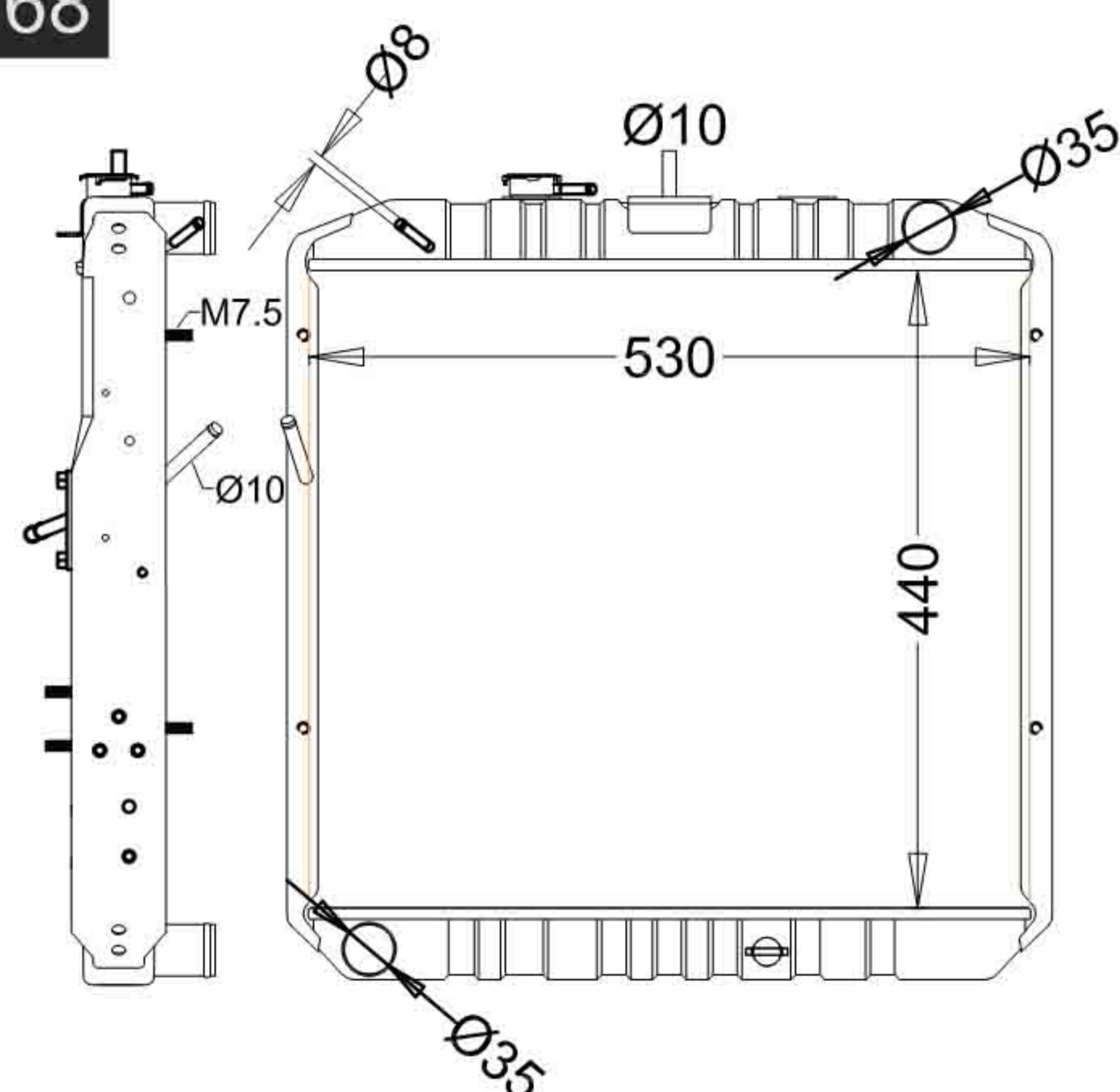
CARTYPE : BU30 82-84 MTM  
 CORE SIZE : BC: 440 × 535 × 48 TANK SIZE :  
 CARTON :  
 OEM : 16400-56040/56042  
 DPI :

## TO-12167



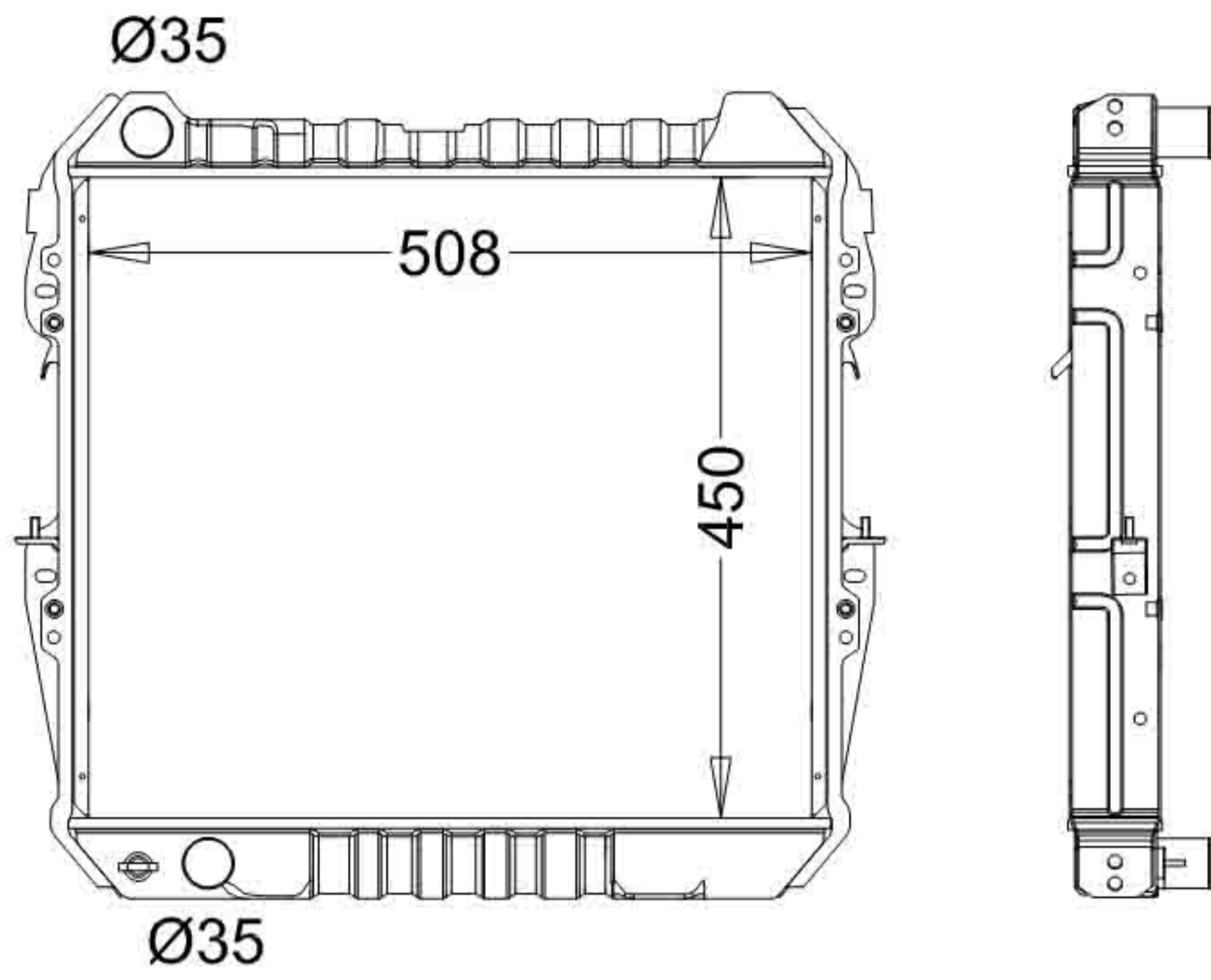
CARTYPE: HILUX MT  
 CORE SIZE : BC:450x526x46 TANK SIZE: 533\*65  
 CARTON:  
 OEM:  
 DPI:

## TO-12168



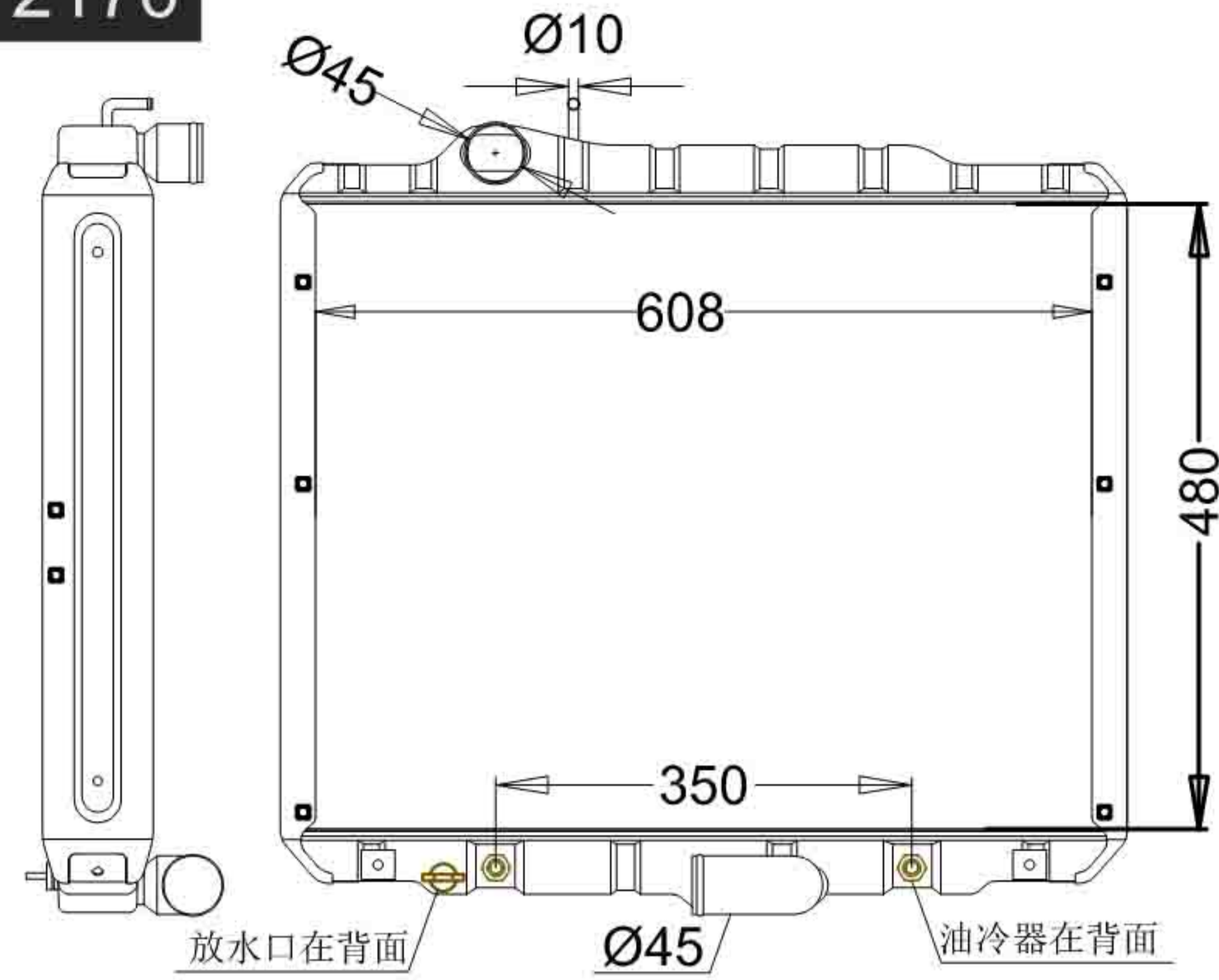
CARTYPE: DYNA MT  
 CORE SIZE : BC:440x530x48 TANK SIZE: 533\*65  
 CARTON:  
 OEM:  
 DPI:

## TO-12169



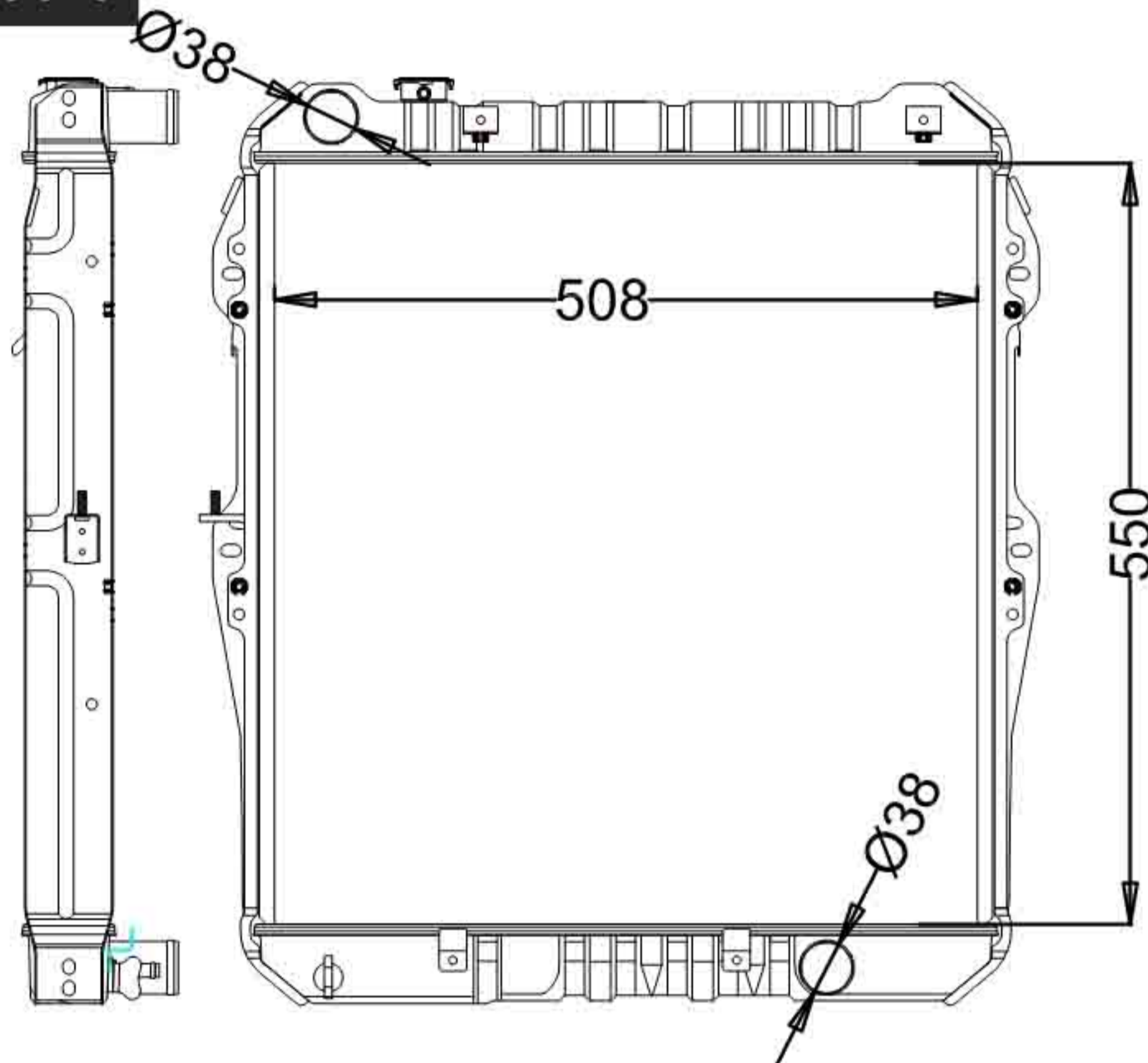
CARTYPE : HILUX MT  
 CORE SIZE : BC : 450\*508\*32/38/48 TANK SIZE : 66.6\*537.6  
 CAROTN:  
 OEM :  
 DPI :

## TO-12170



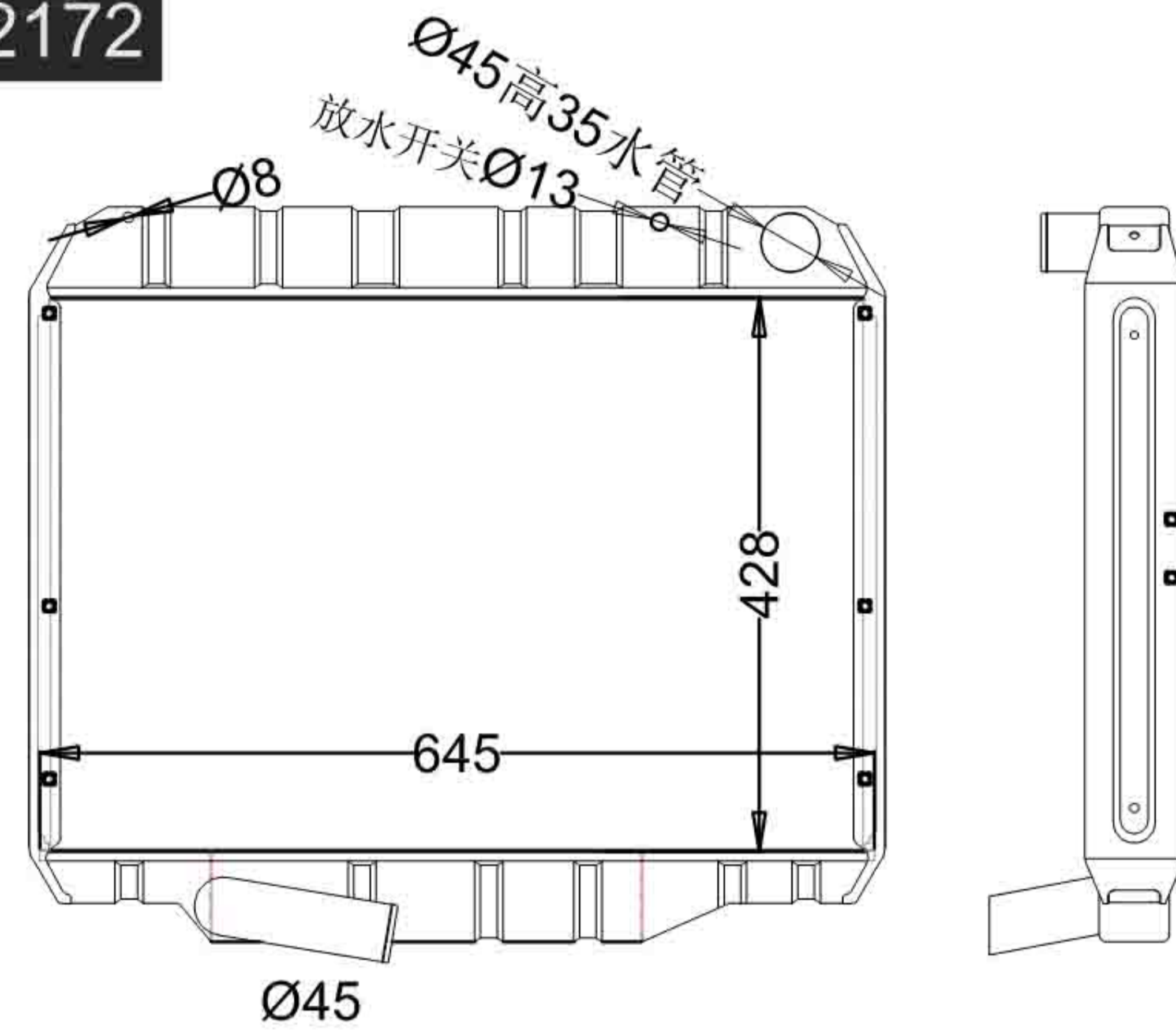
CARTYPE: COASTER(丰田小巴)  
 CORE SIZE: BC:480\*608\*49 TANK SIZE:630\*69  
 CARTON:  
 OEM:  
 DPI:

## TO-12171



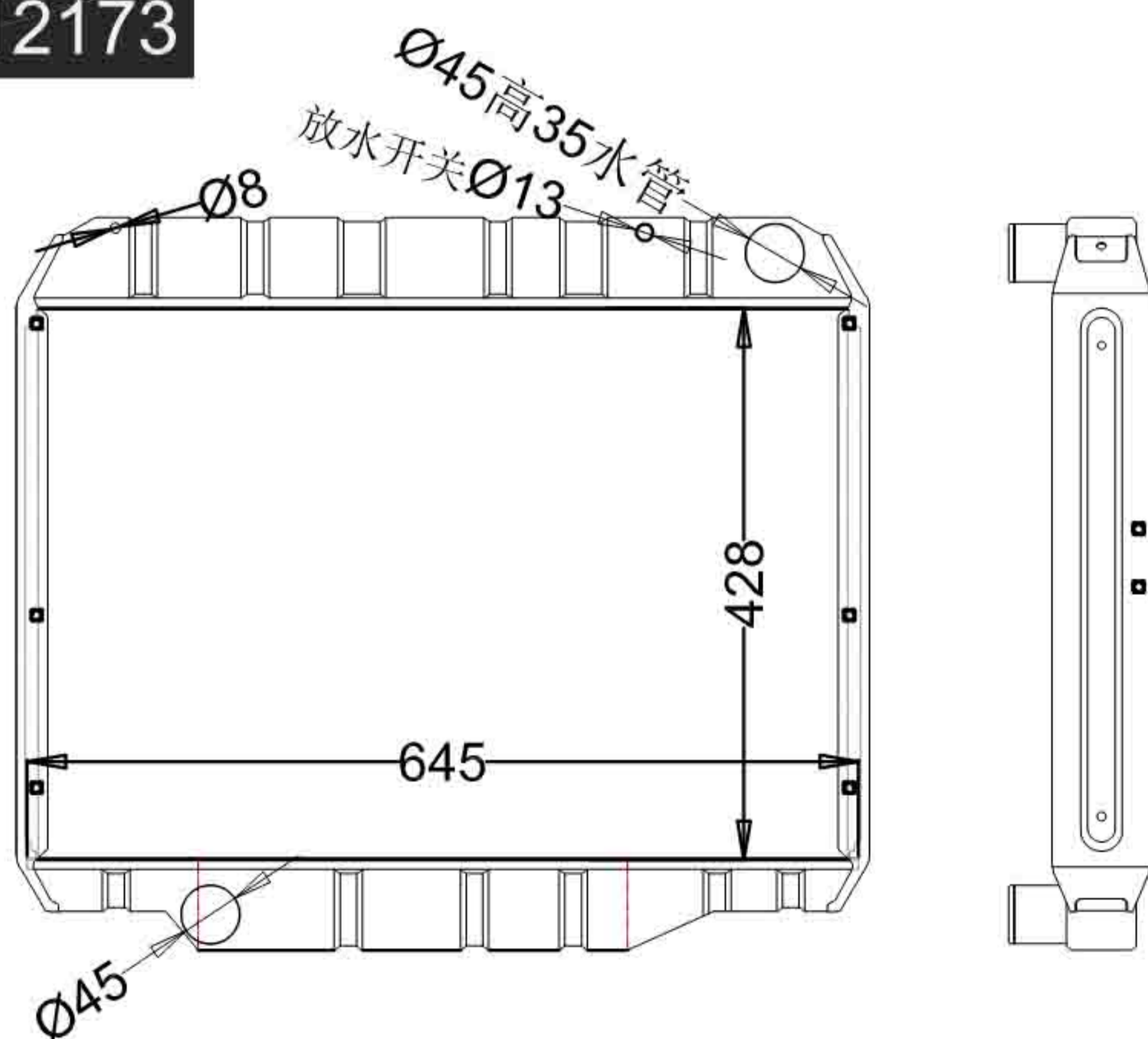
CARTYPE: HILUX(海拉克斯X4-98) MT  
 CORE SIZE: BC 550x508x49 TANK SIZE: 535\*65  
 CARTON: 635\*615\*150  
 OEM:  
 DPI:

## TO-12172



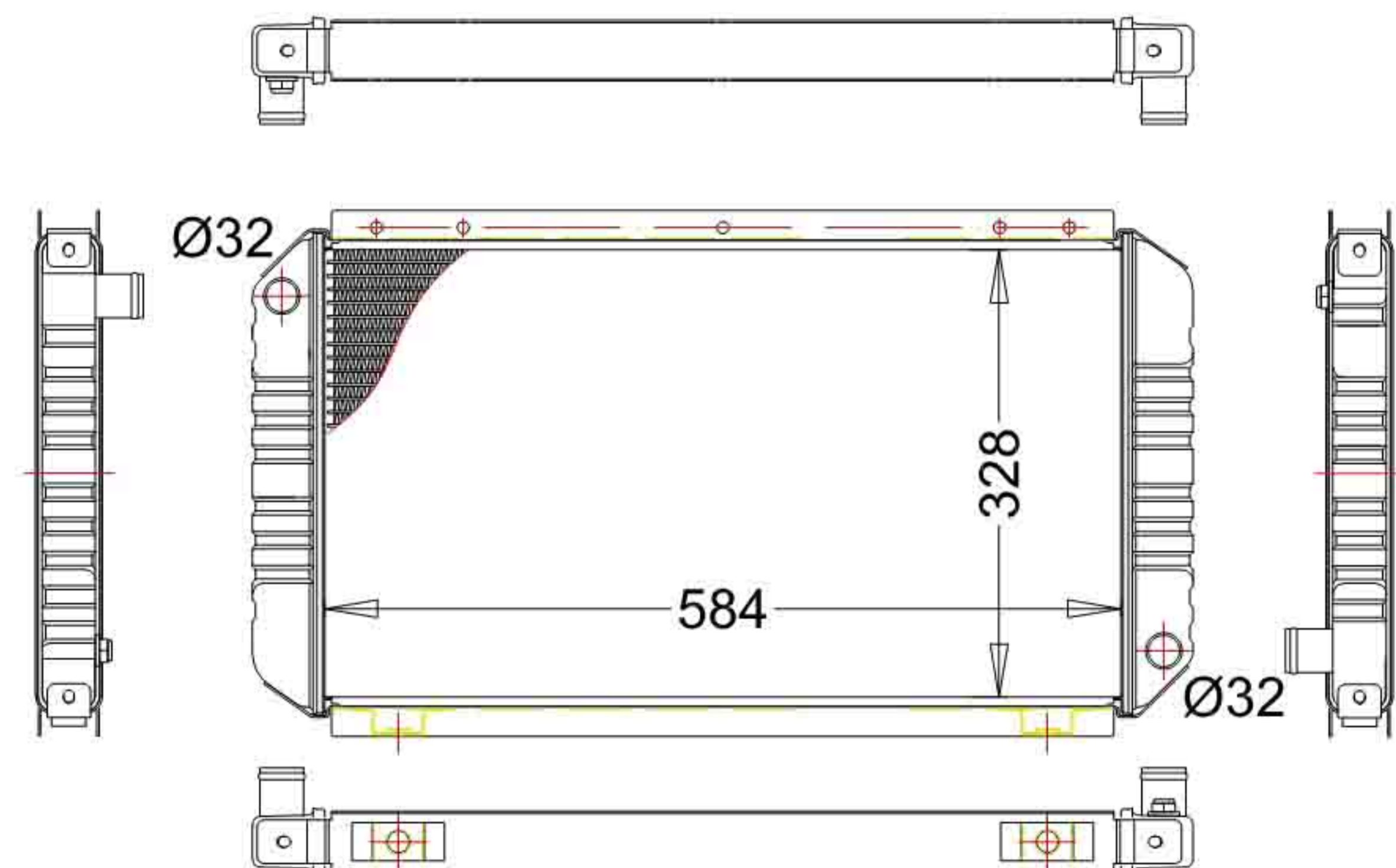
CARTYPE : 丰田 (TOYOTA)  
 CORE SIZE : BC : 428\*645\*48 TANK SIZE :  
 CARTON :  
 OEM :  
 DPI : NISSENS:

## TO-12173



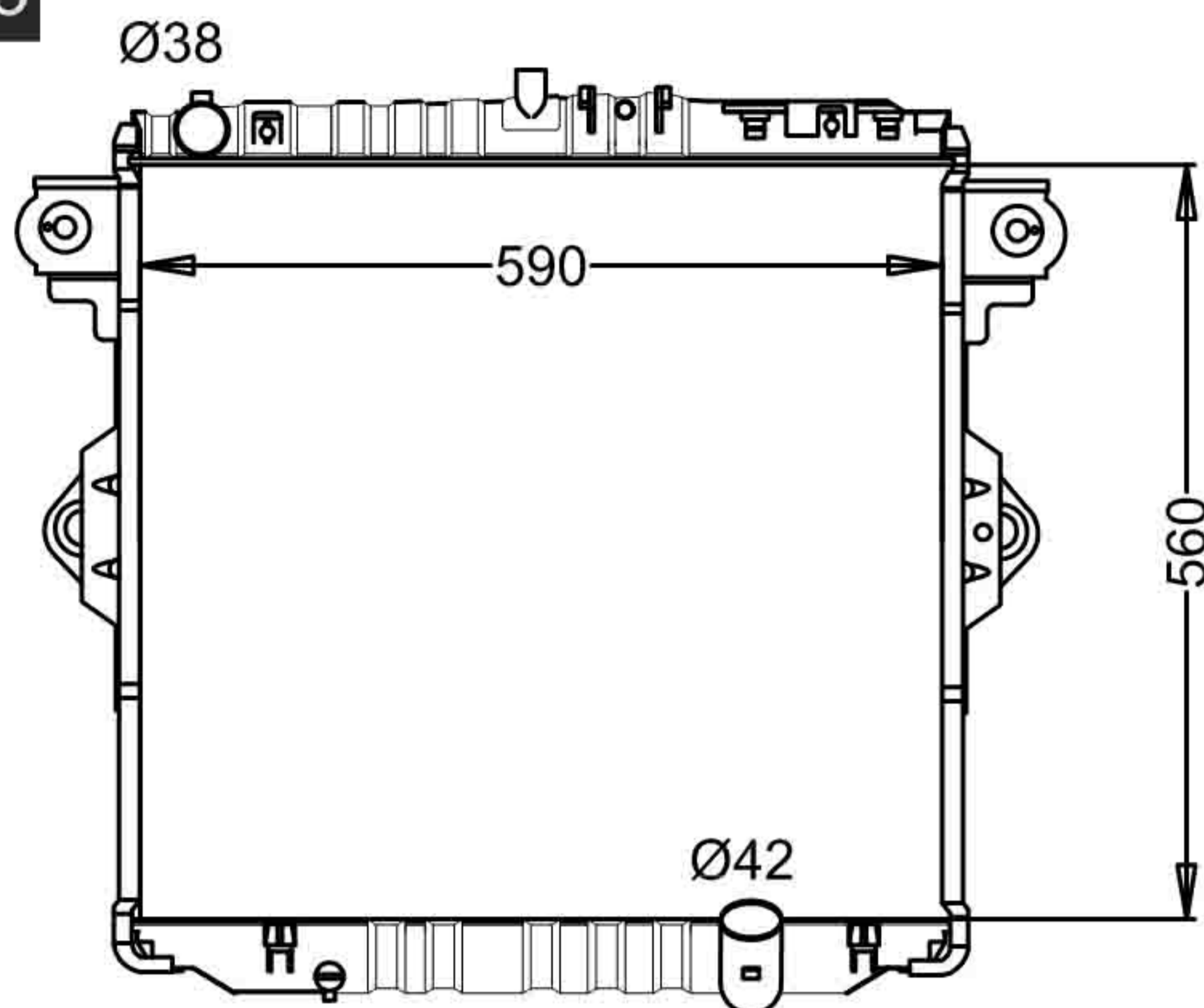
CARTYPE : 丰田 (TOYOTA)  
 CORE SIZE : BC : 428\*645\*48 TANK SIZE :  
 CARTON :  
 OEM :  
 DPI : NISSENS:

## TO-12174



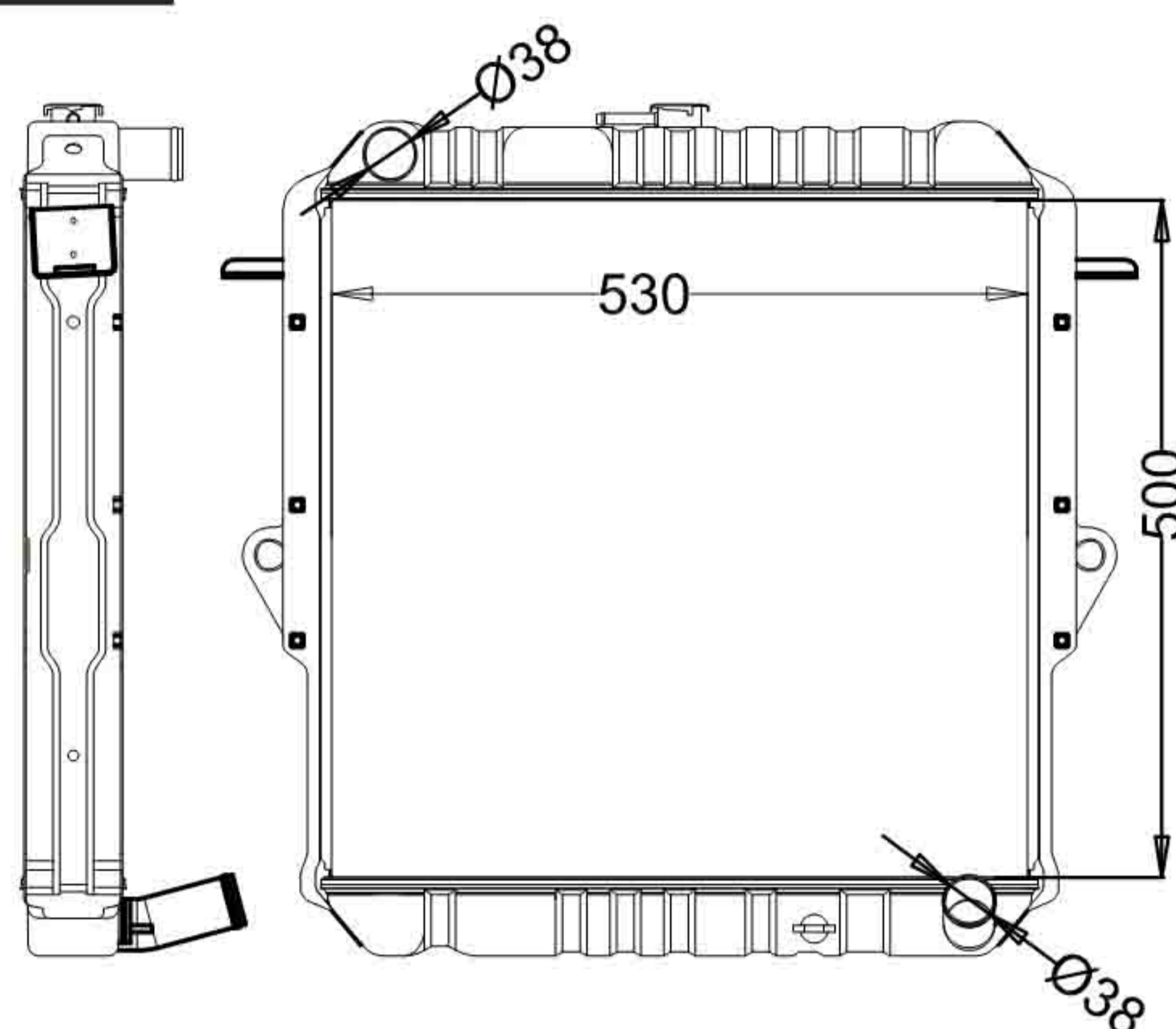
CARTYPE :  
 CORE SIZE : PC: 584\*328\*32 TANK SIZE:350\*46  
 CORE SIZE :  
 OEM :  
 DPI :

**TO-12175**



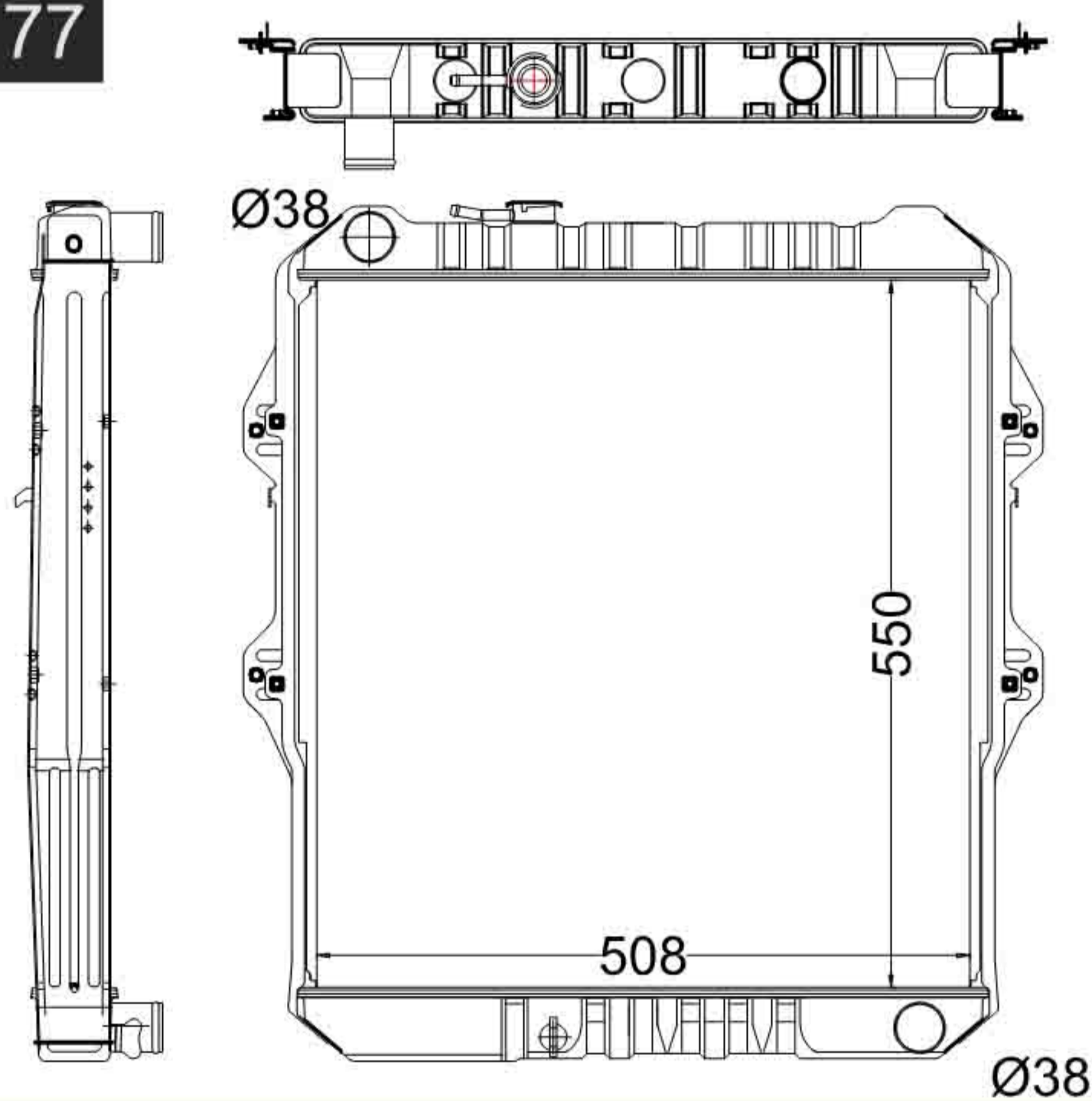
CARTYPE :LAND CRUISER VDJ7#/VDFTV/FZJ76 07- MTM  
 CORE SIZE : PC: 560×590×16/26 TANK SIZE:68.5\*613  
 CORE SIZE :  
 OEM :16454-51030/16400-66180  
 DPI :

**TO-12176**



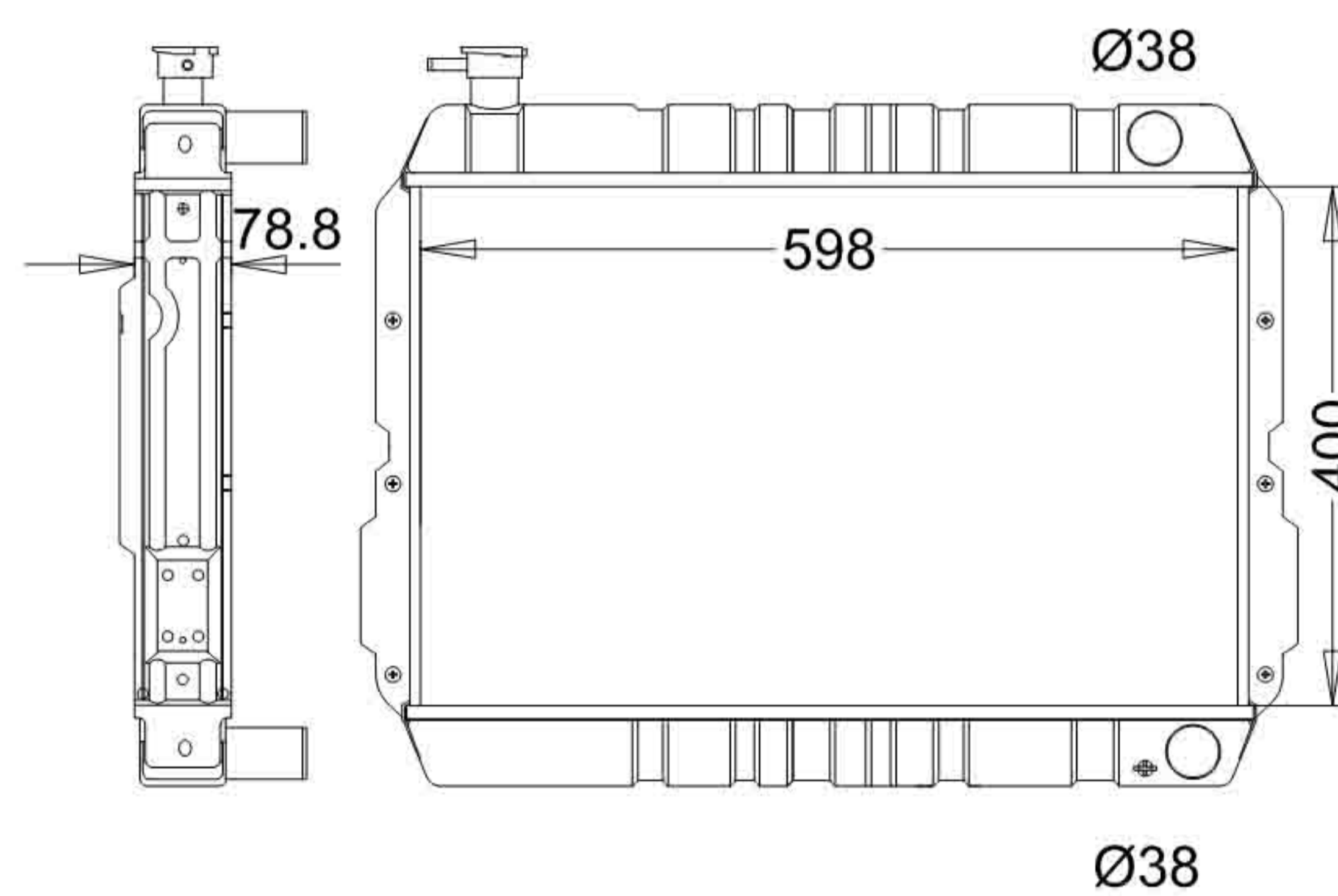
CARTYPE: TOYOTA MT  
 CORE SIZE: BC 530\*500\*64 TANK SIZE:535\*78  
 CARTON:  
 OEM:  
 DPI:

**TO-12177**



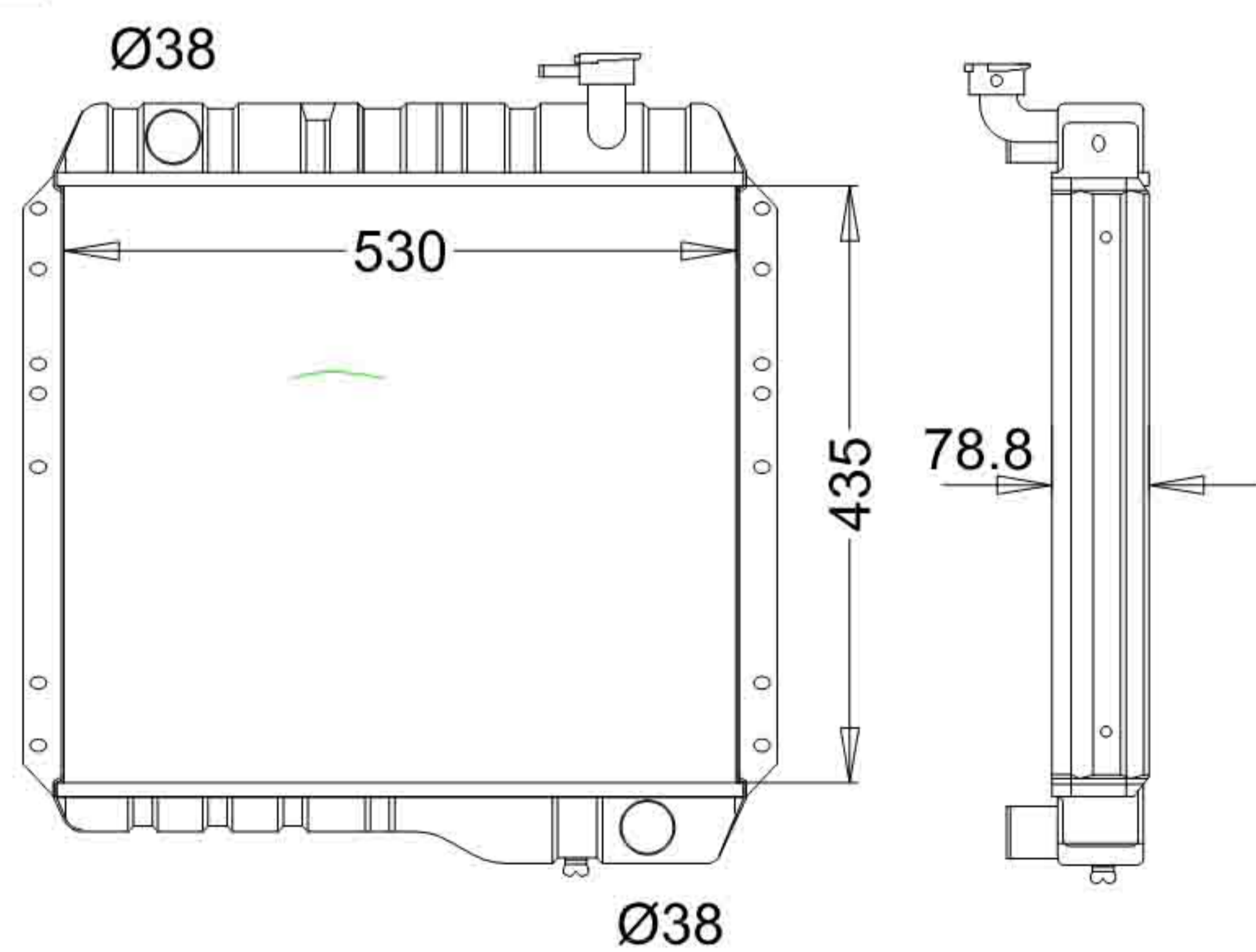
CARTYPE : 海拉克斯 MTM  
 CORE SIZE : PC: 550\*508\*49 TANK SIZE:535\*65  
 CORE SIZE : CARTON:656\*595\*70  
 OEM :  
 DPI :

**TO-12178**



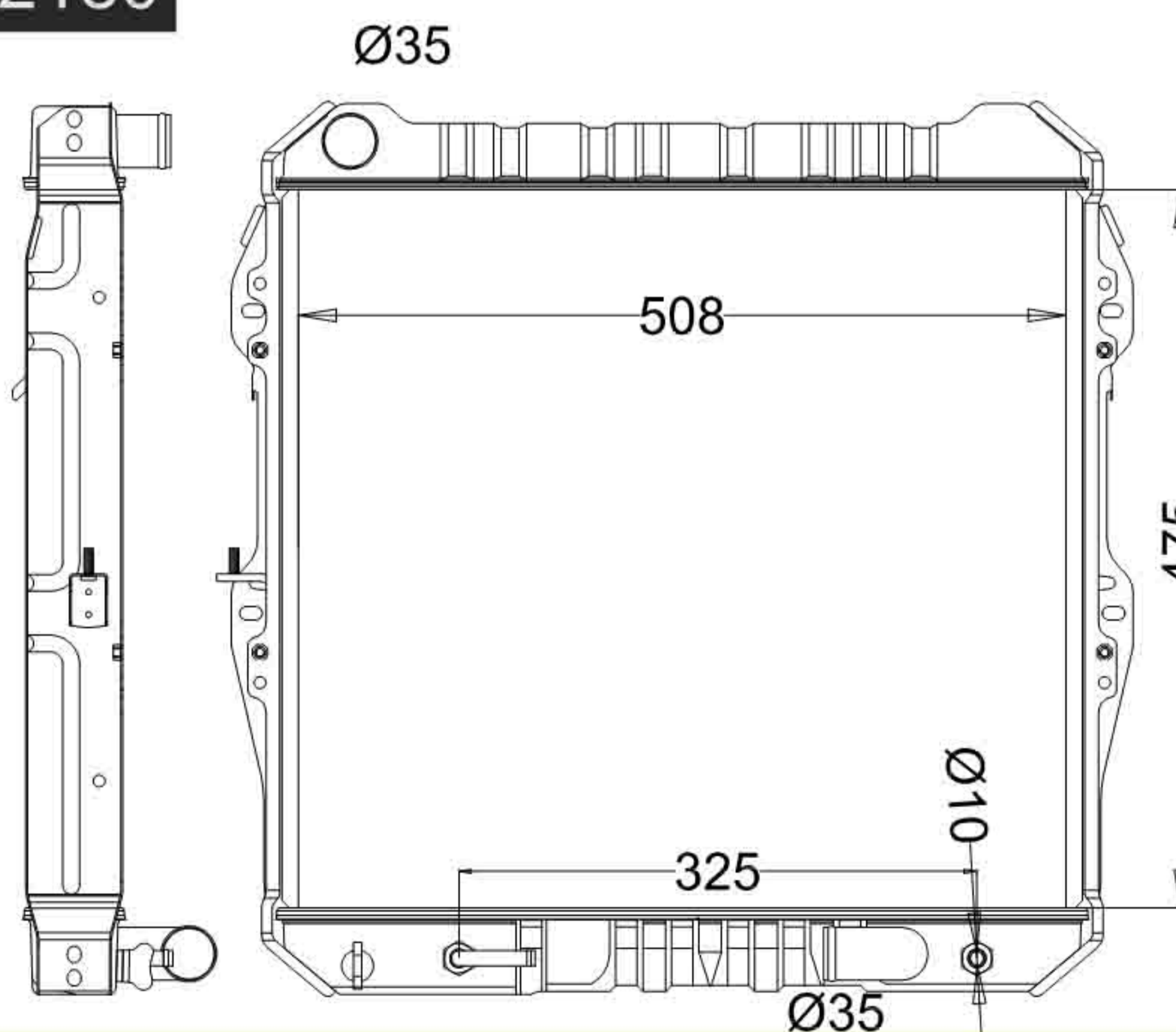
CARTYPE :HJ60 HJ61 2H 4.0L DIESEL 1980-1990 MT/AT  
 CORE SIZE :BC:400\*598\*49/64 TANK SIZE : 616\*78.8  
 CARTON:  
 OEM :  
 DPI :

**TO-12179**



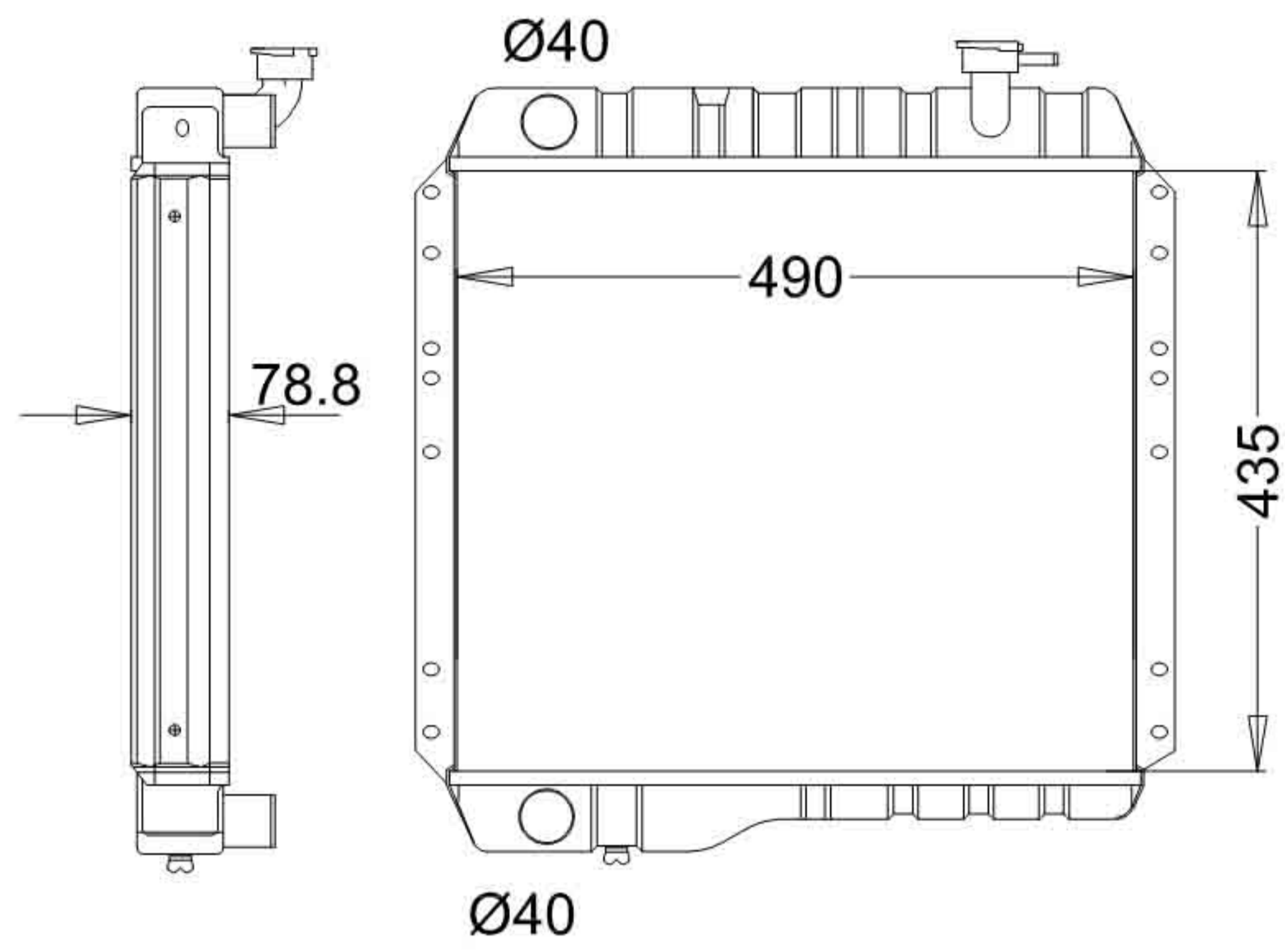
CARTYPE : FJ60 2F SOME 3F 4.2L/4.0L PETROL 1980-1990  
 CORE SIZE : BC : 435\*530\*64 TANK SIZE :74\*528  
 CAROTN:  
 OEM :  
 DPI :

**TO-12180**



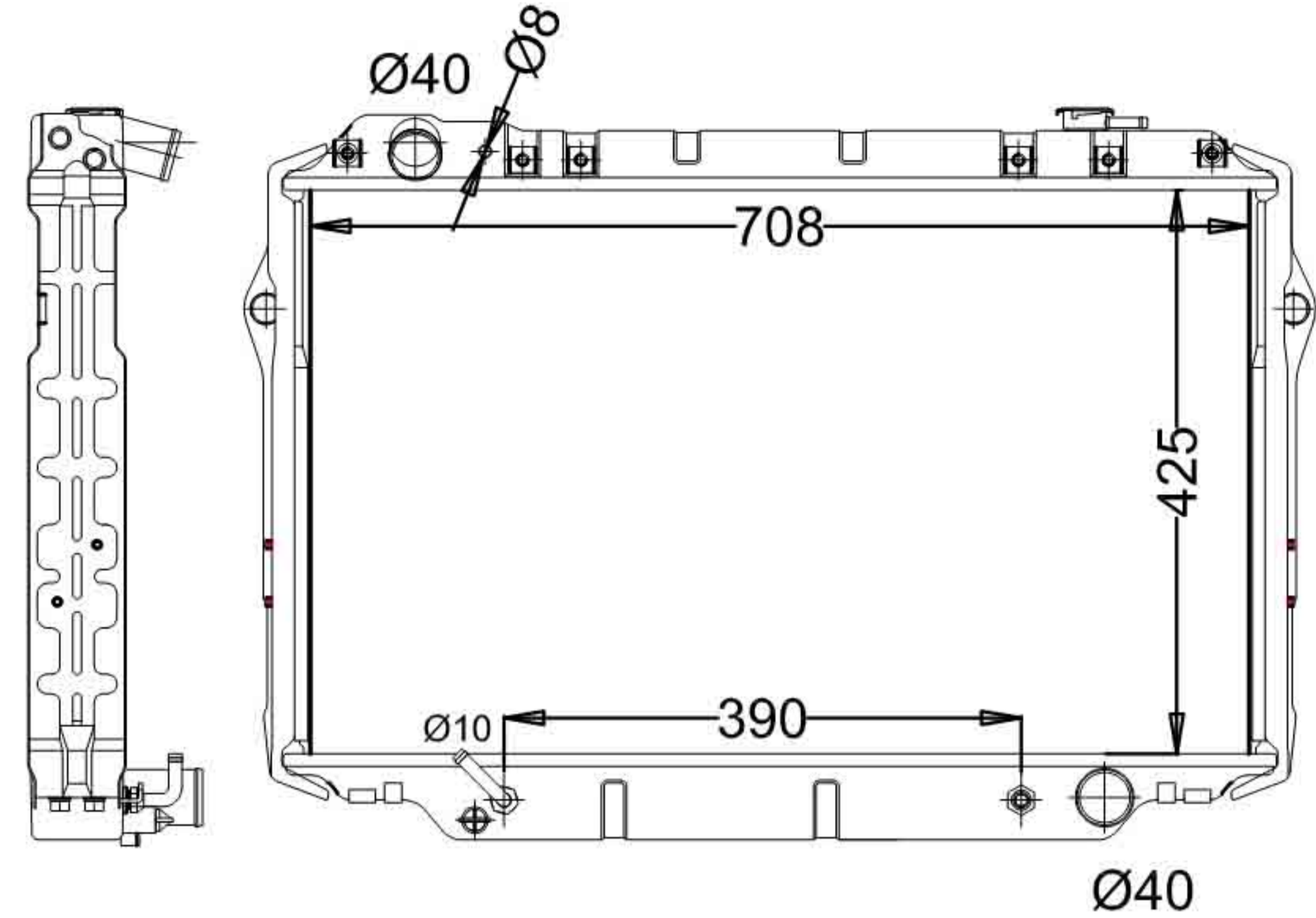
CARTYPE: HILUX2.4'88-93(海拉克斯) AT  
 CORE SIZE: BC 475x508x49 TANK SIZE:535\*65  
 CARTON: 660\*625\*150  
 OEM:  
 DPI:

## TO-12181



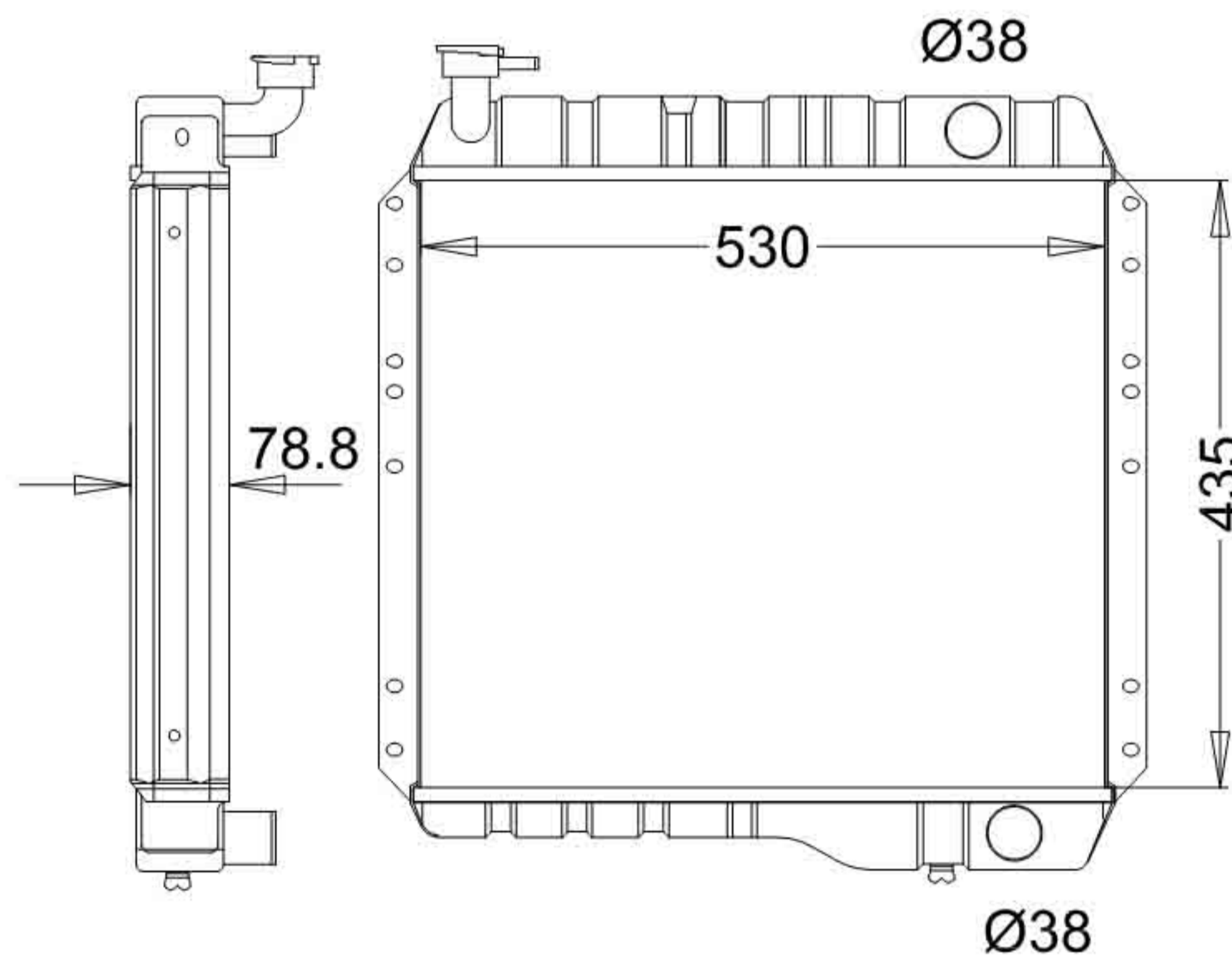
CARTYPE : LANDCRUISER (D) '80-84(陆地巡洋舰) MT  
 CORE SIZE : BC:435×490×49/64 TANK SIZE : 501.6\*78.8  
 CARTON:  
 OEM :  
 DPI :

## TO-12182



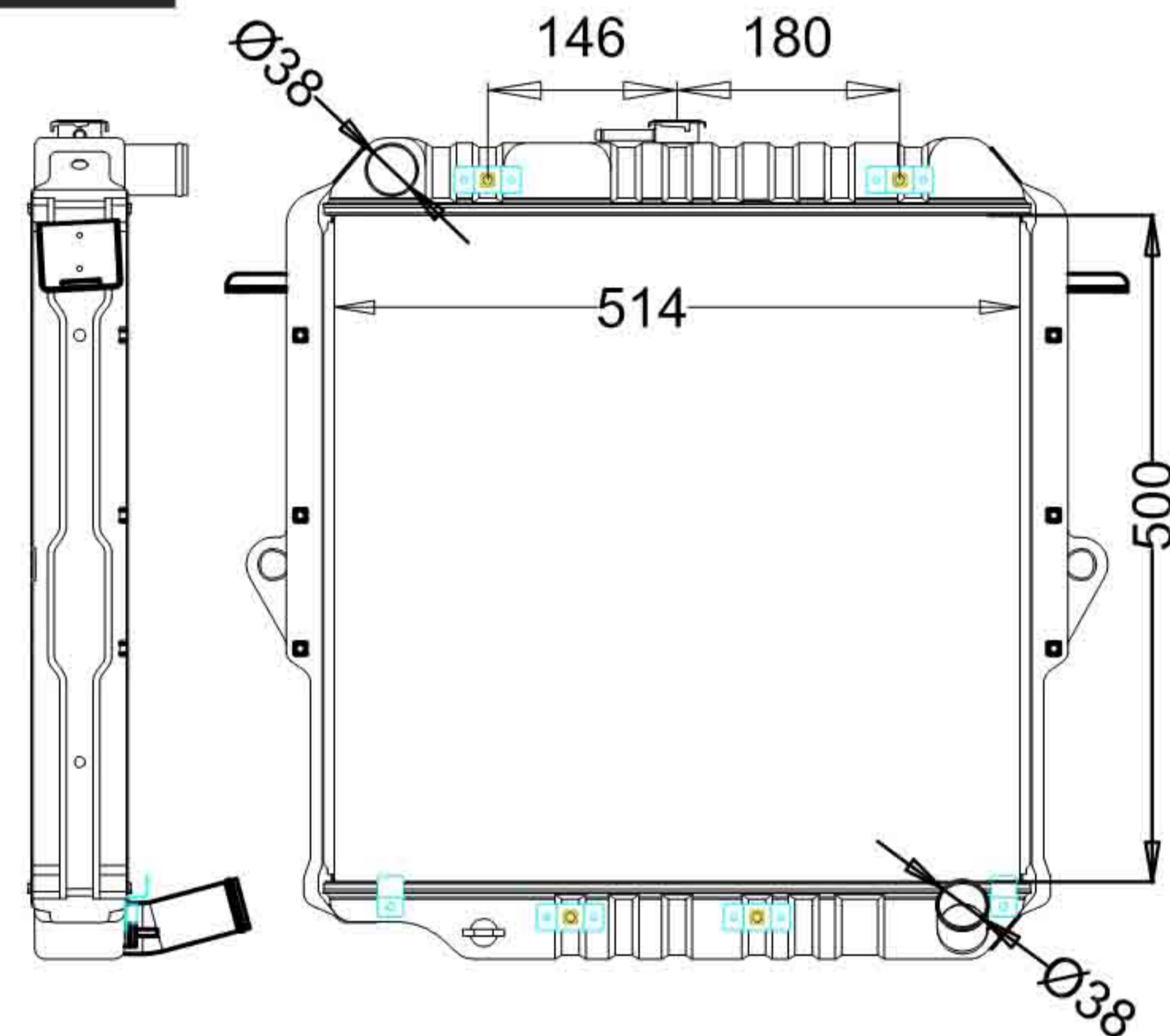
CARTYPE :LAND CRUISER 96-98 AT  
 CORE SIZE : BC :425\*708\*48 TANK SIZE :744\*69.5  
 CORE SIZE :  
 OEM :  
 DPI :

## TO-12183



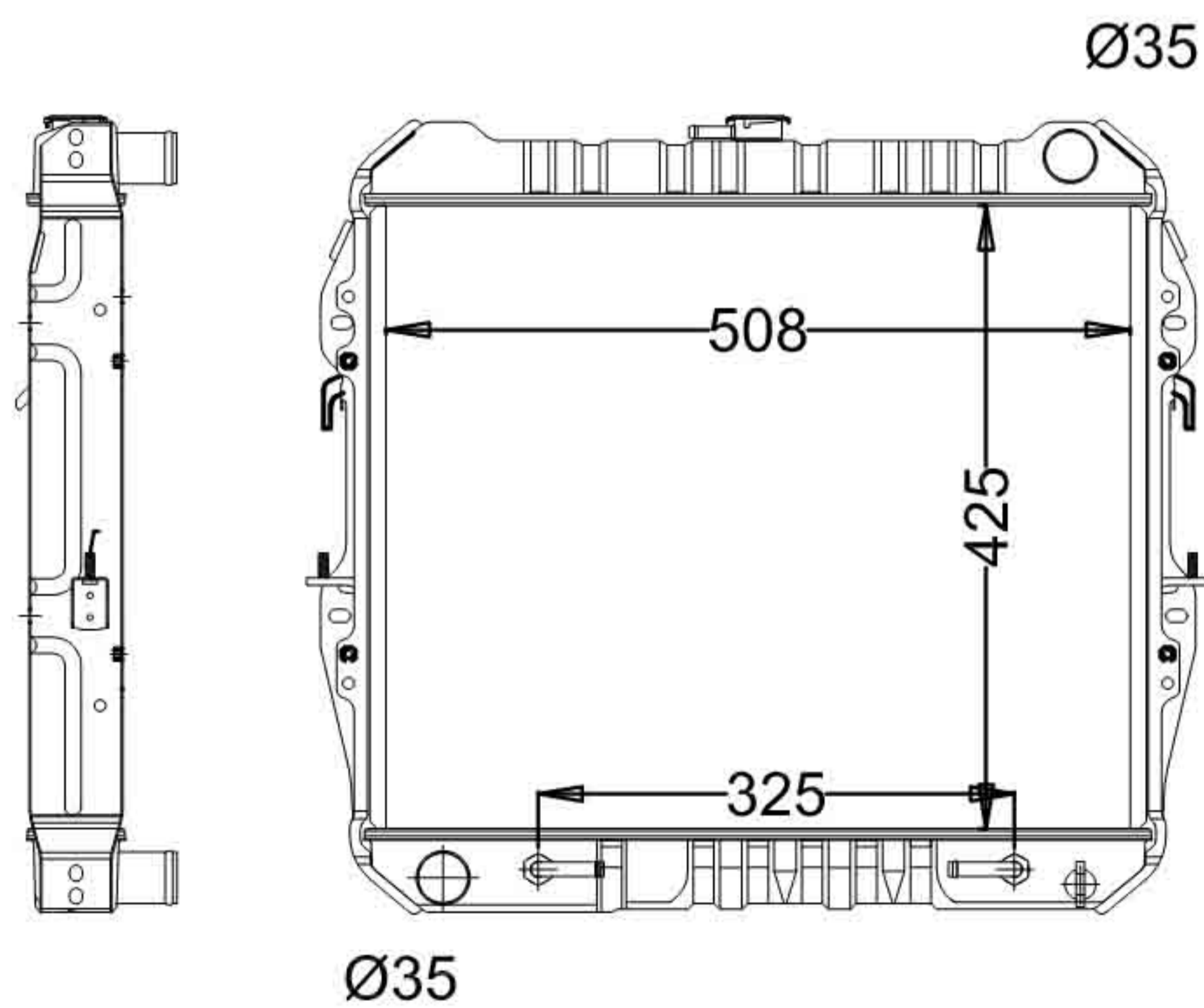
CARTYPE : LANDCRUISER HJ47 4.0L 80-87  
 CORE SIZE : BC : 435\*530\*64 TANK SIZE :74\*528  
 CARTON:  
 OEM :  
 DPI :

## TO-12184



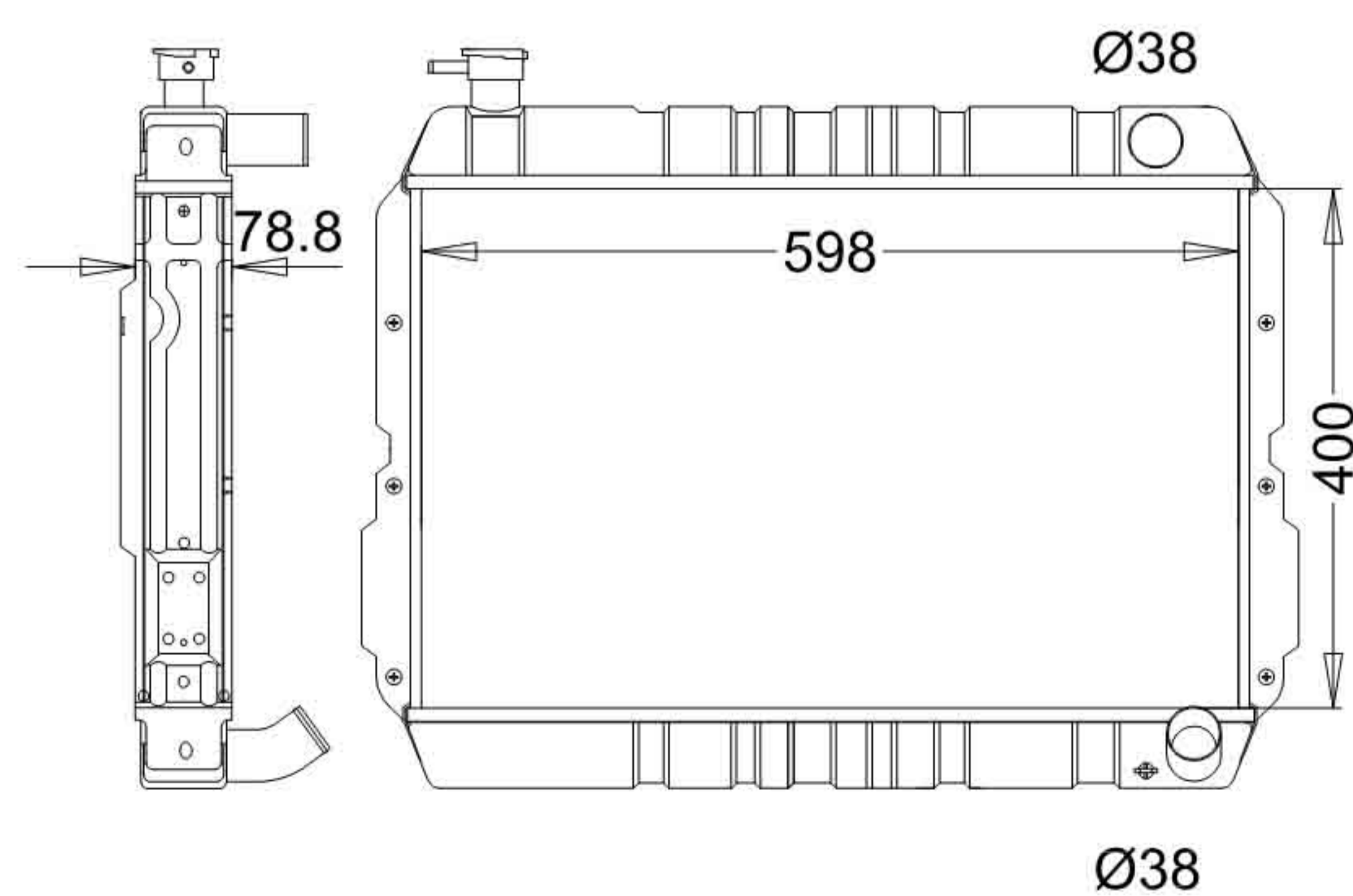
CARTYPE: TOYOTA(丰田HZJ75) MT  
 CORE SIZE: BC 500x514x64 TANK SIZE:528\*76  
 CARTON: 780\*670\*170  
 OEM:  
 DPI:

## TO-12185



CARTYPE : HILUX 2.4' 84-90 CG2 RN130 AT  
 CORE SIZE : BC : 425\*508\*49 TANK SIZE :535\*65  
 CARTON: 565\*625\*125  
 OEM :  
 DPI :

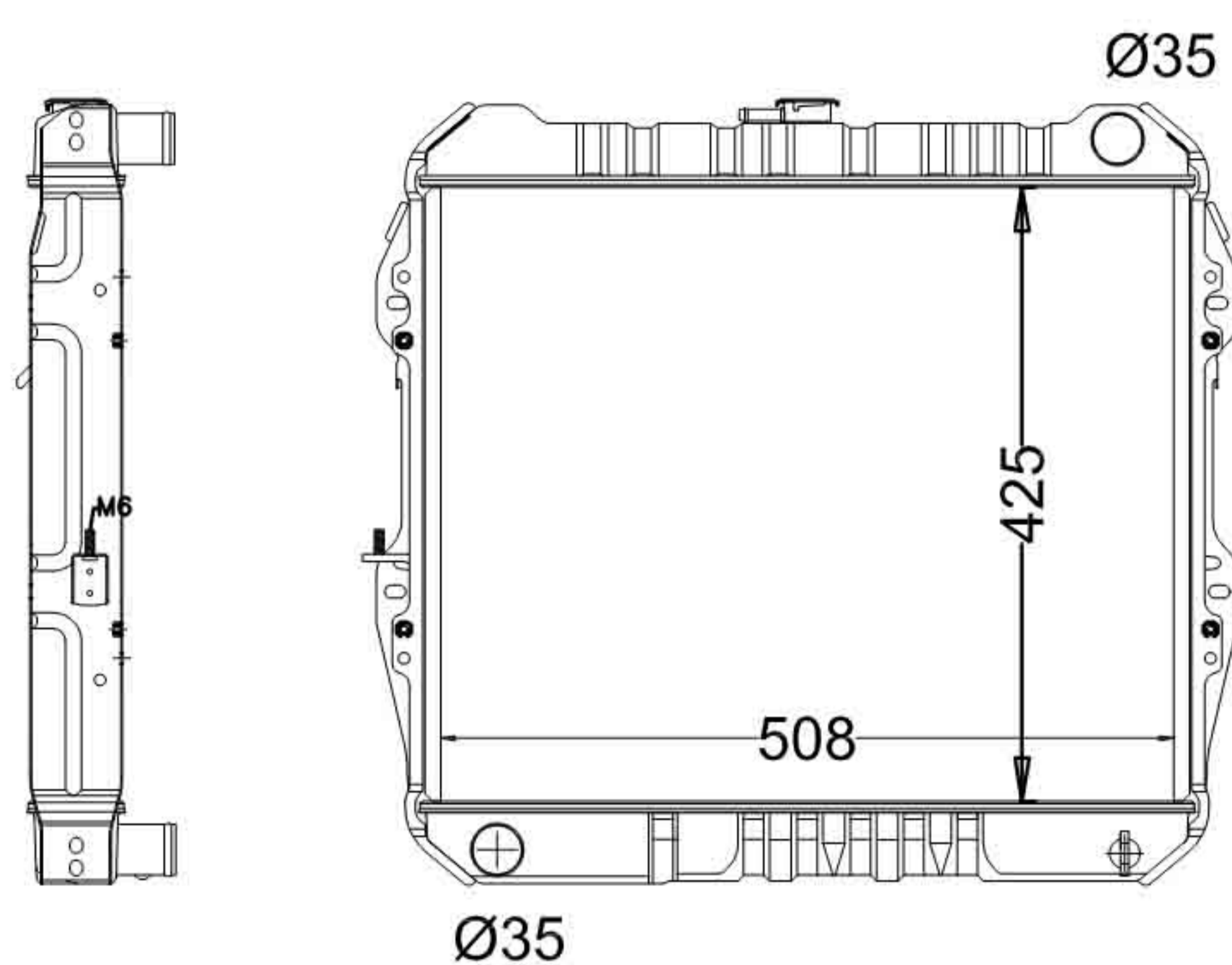
## TO-12186



CARTYPE :HJ60 HJ61 2H 4.0L DIESEL 1980-1990 MT/AT  
 CORE SIZE :BC:400\*598\*49/64 TANK SIZE : 616\*78.8  
 CARTON:  
 OEM :  
 DPI :

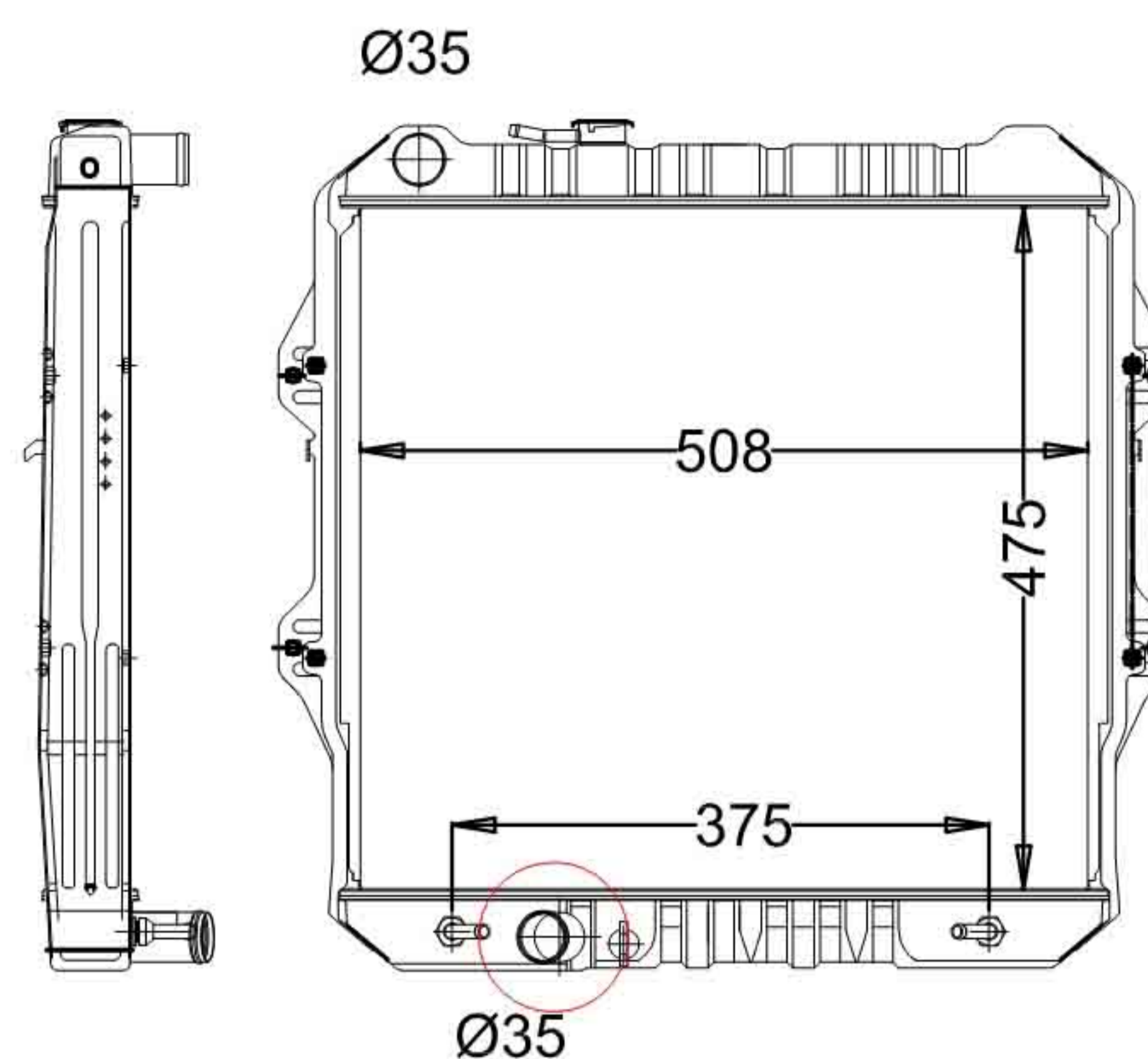
# TOYOTA

**TO-12187**



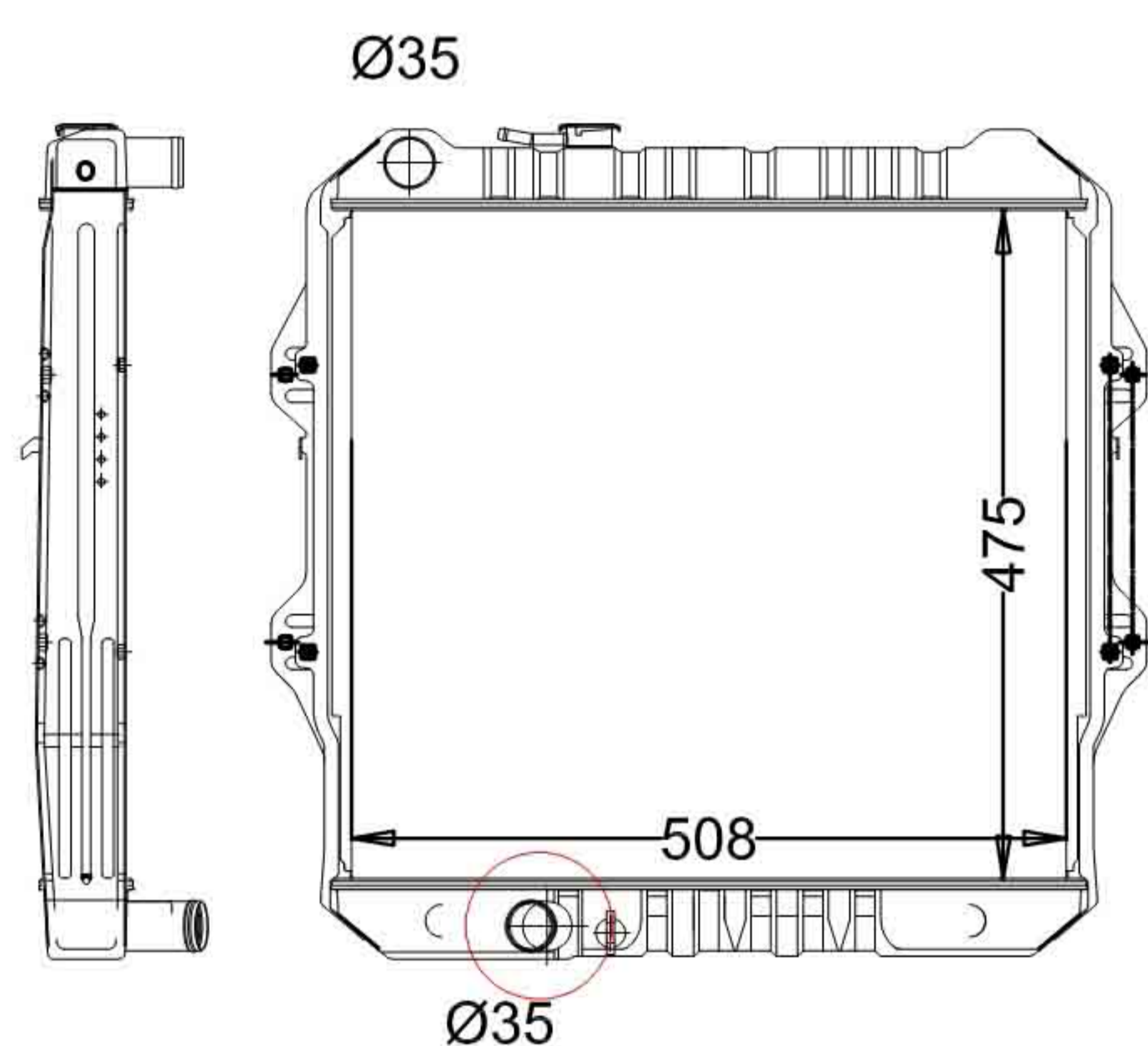
CARTYPE : HILUX 2.4' 84-90 CG2 RN130 MTM  
 CORE SIZE : CB : 425×508×49 TANK SIZE:535\*65  
 OEM :  
 DPI :

**TO-12188**



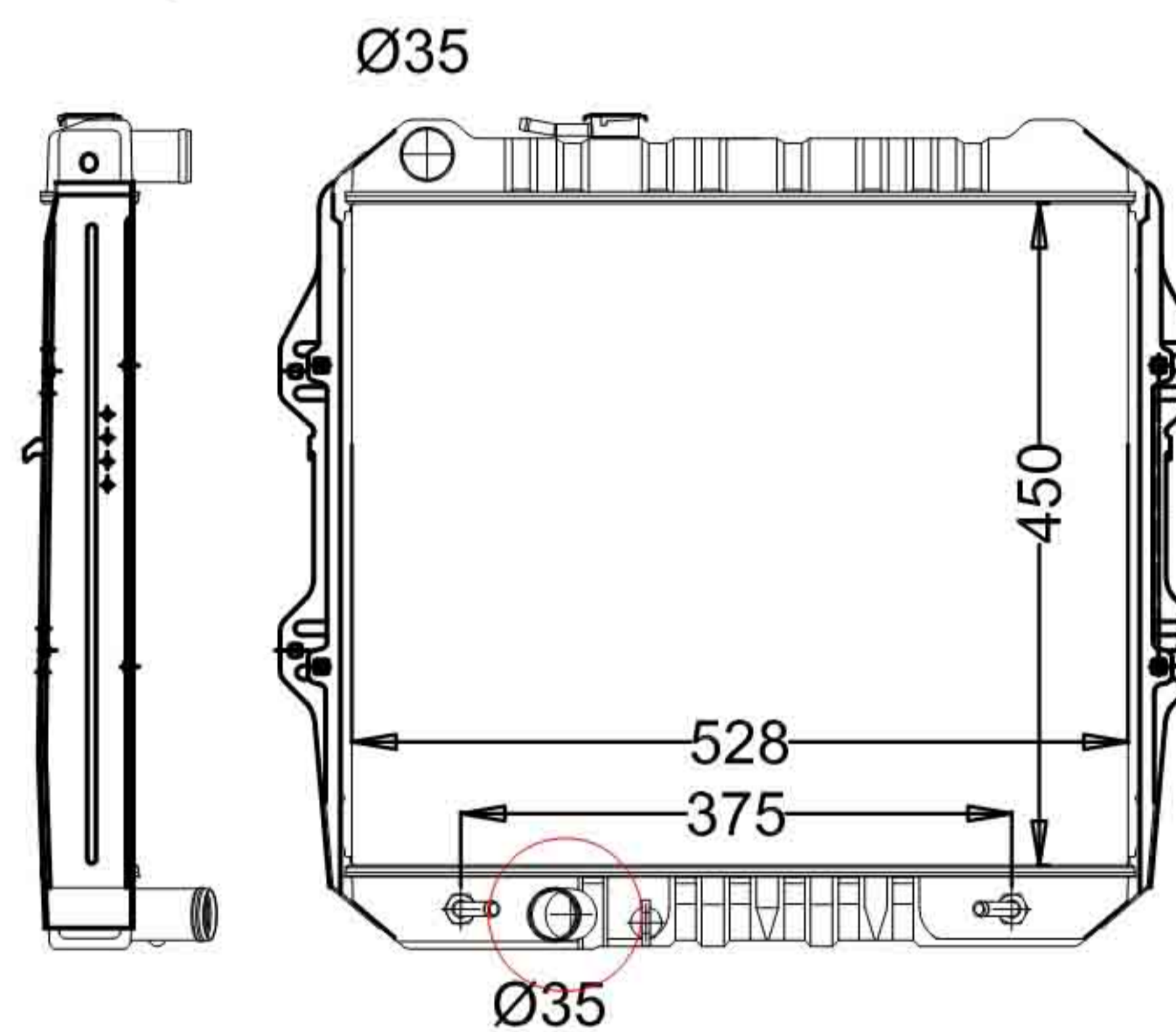
CARTYPE : 丰田皮卡 ATM  
 CORE SIZE : CB : 475\*508\*49 TANK SIZE:535\*65  
 OEM :  
 DPI :

**TO-12189**



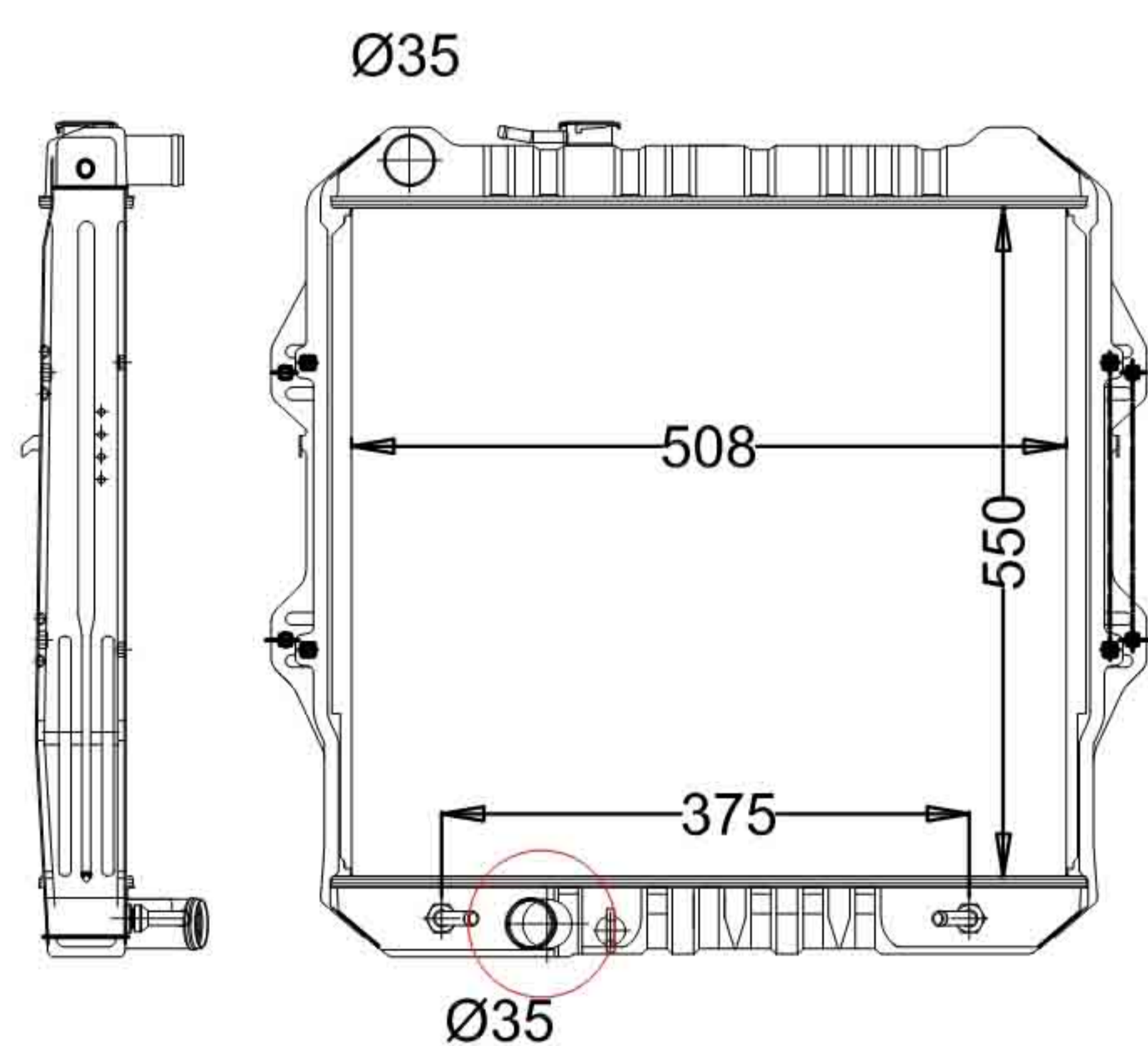
CARTYPE : 丰田皮卡 MTM  
 CORE SIZE : CB : 475\*508\*49 TANK SIZE:535\*65  
 OEM :  
 DPI :

**TO-12190**



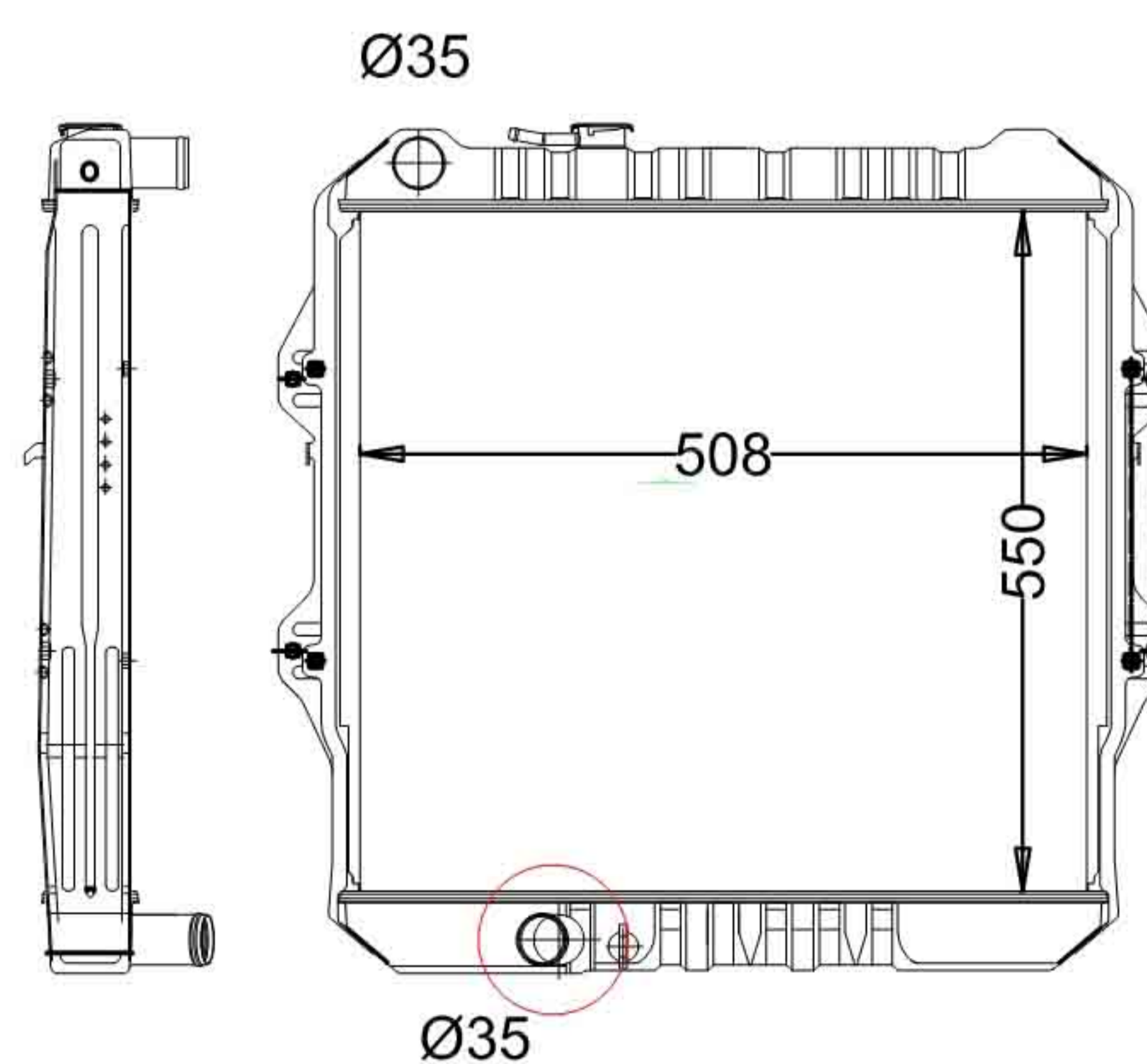
CARTYPE : TOYOTA HILUX LN147 ATM  
 CORE SIZE : BC : 450×528×49 TANK SIZE :535\*65  
 OEM :  
 DPI :

**TO-12191**



CARTYPE : KZN165R 3.0L TURBO DIESEL'99 ATM  
 CORE SIZE : PA : 550×508×16/26/32 TANK SIZE :54.5\*544.5  
 CORE SIZE : PC :  
 OEM :  
 DPI :

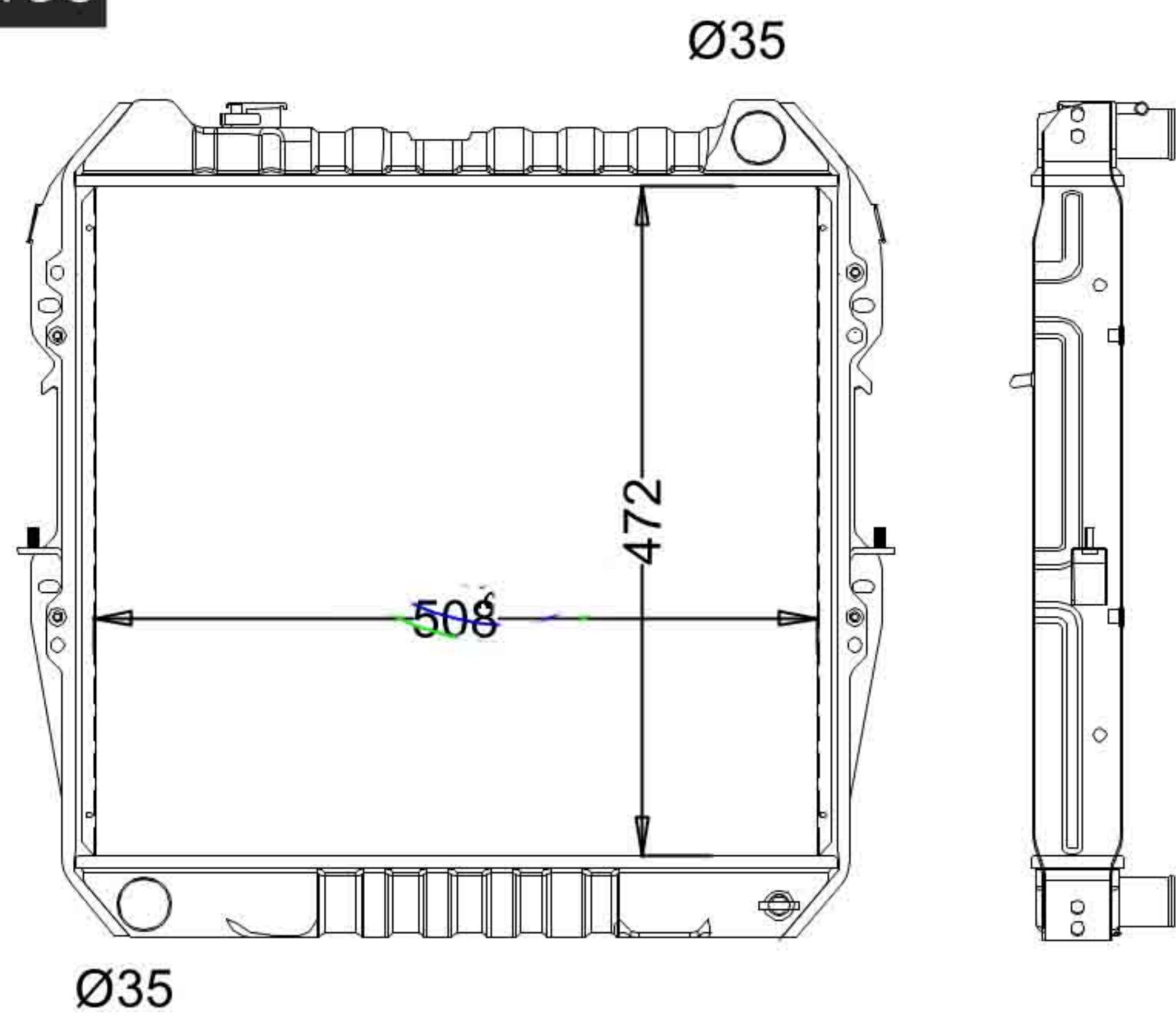
**TO-12192**



CARTYPE : KZN165R 3.0L TURBO DIESEL'99 MTM  
 CORE SIZE : PA : 550×508×16/26/32 TANK SIZE :54.5\*544.5  
 CORE SIZE : PC :  
 OEM :  
 DPI :

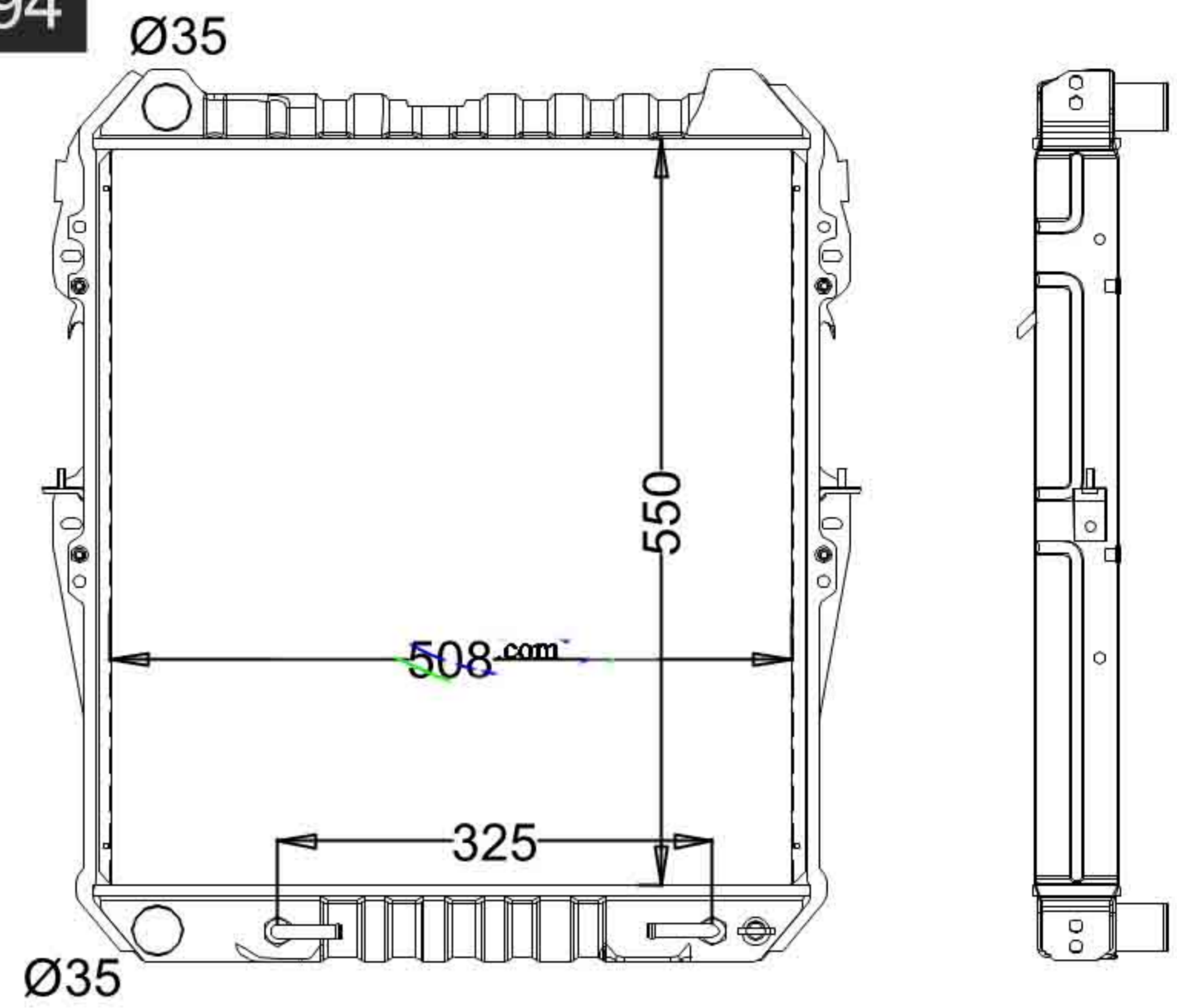
# TOYOTA

TO-12193



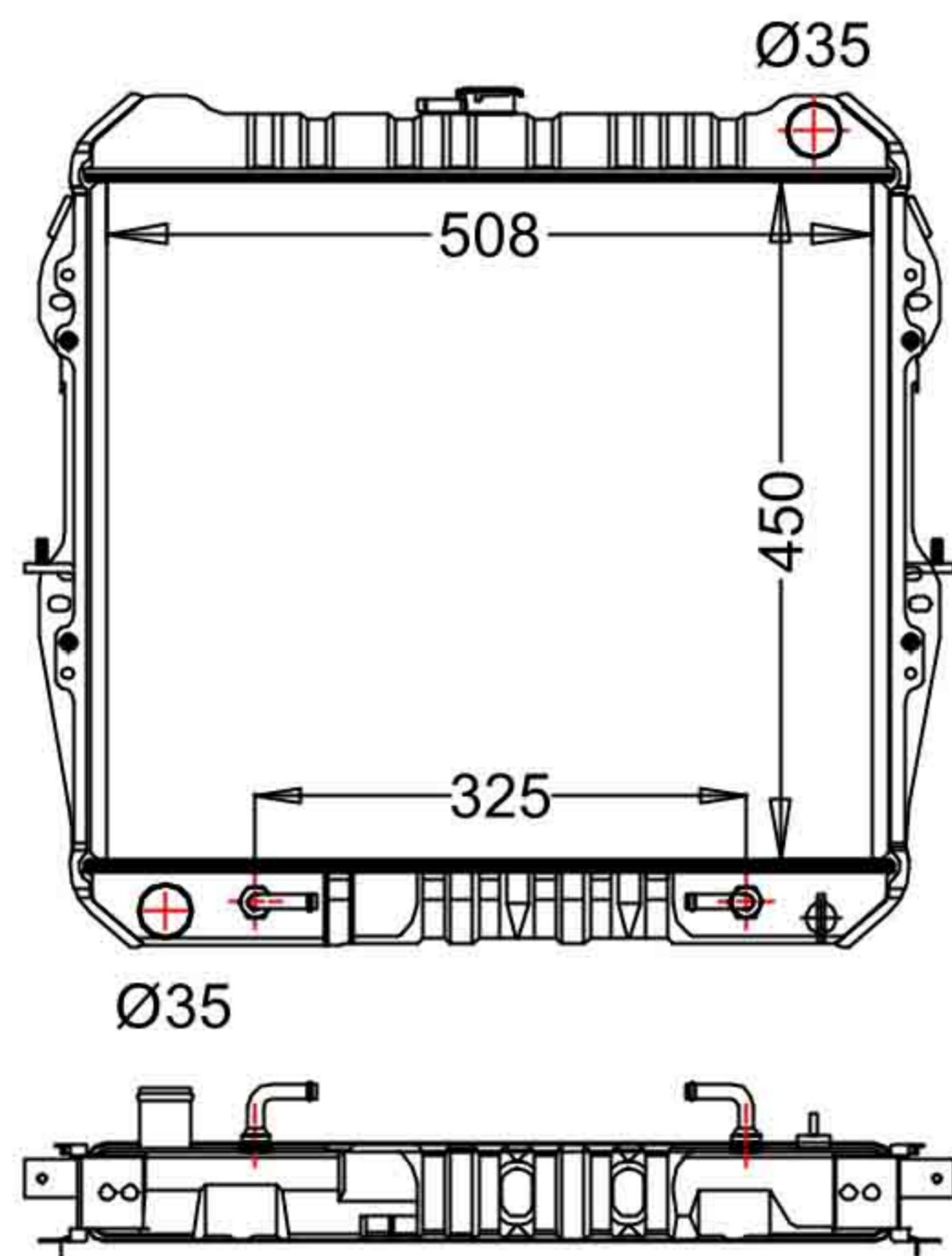
CARTYPE :HILUX 3.0' 89-93 V6 MT  
 CORE SIZE : BC : 472\*508\*32\*36\*48 TANK SIZE :538\*67  
 OEM : 16400-65040/1/65100  
 DPI:

TO-12194



CARTYPE :HILUX 4X 98 AT  
 CORE SIZE : BC : 550\*508\*32\*36\*48 TANK SIZE :538\*67  
 OEM :  
 DPI:

TO-12195



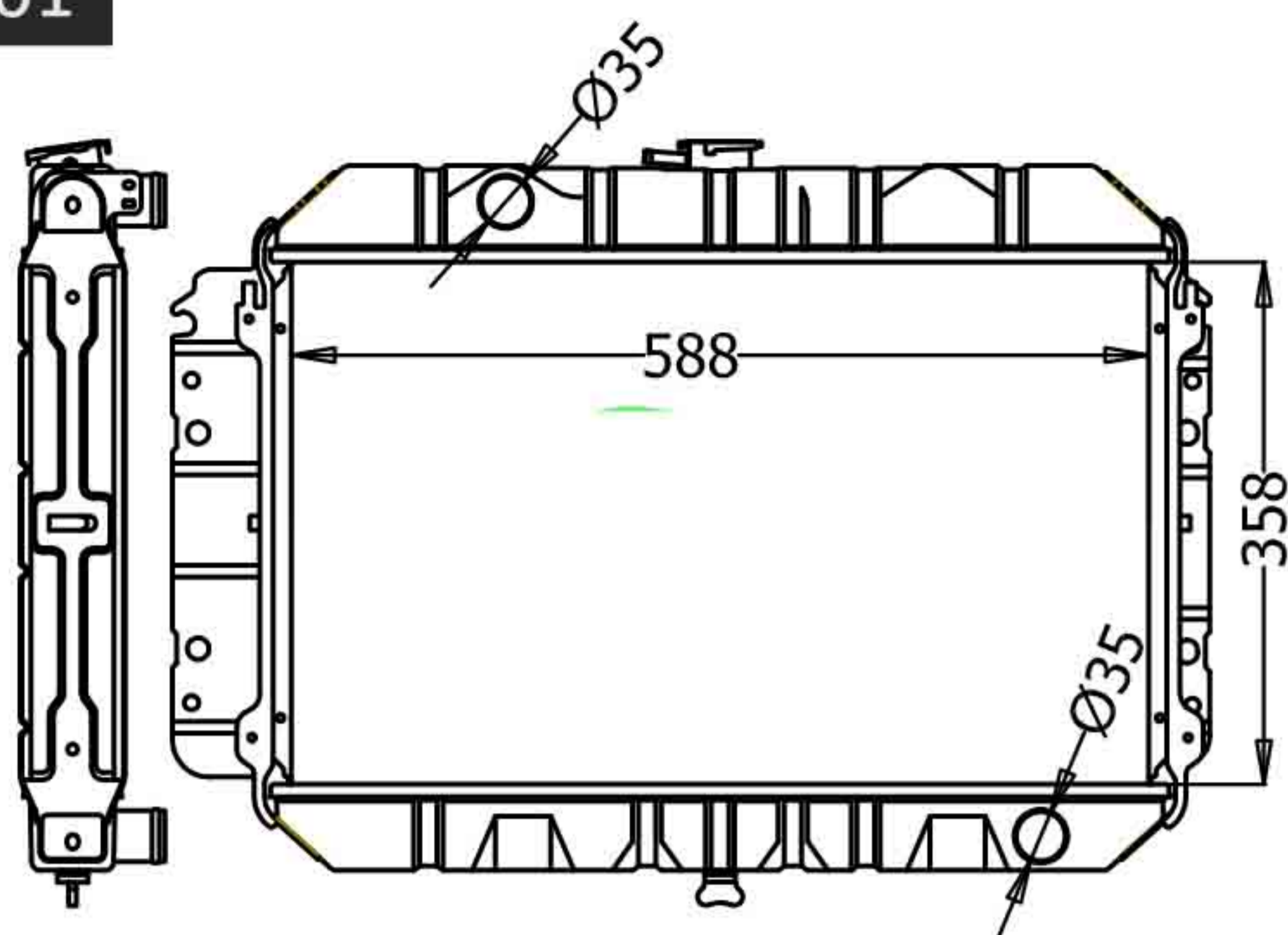
CARTYPE : 海拉克斯 LN65 AT  
 CORE SIZE : BC : 450\*508\*49 TANK SIZE :535\*65  
 OEM :  
 DPI:

TO-12196

TO-12197

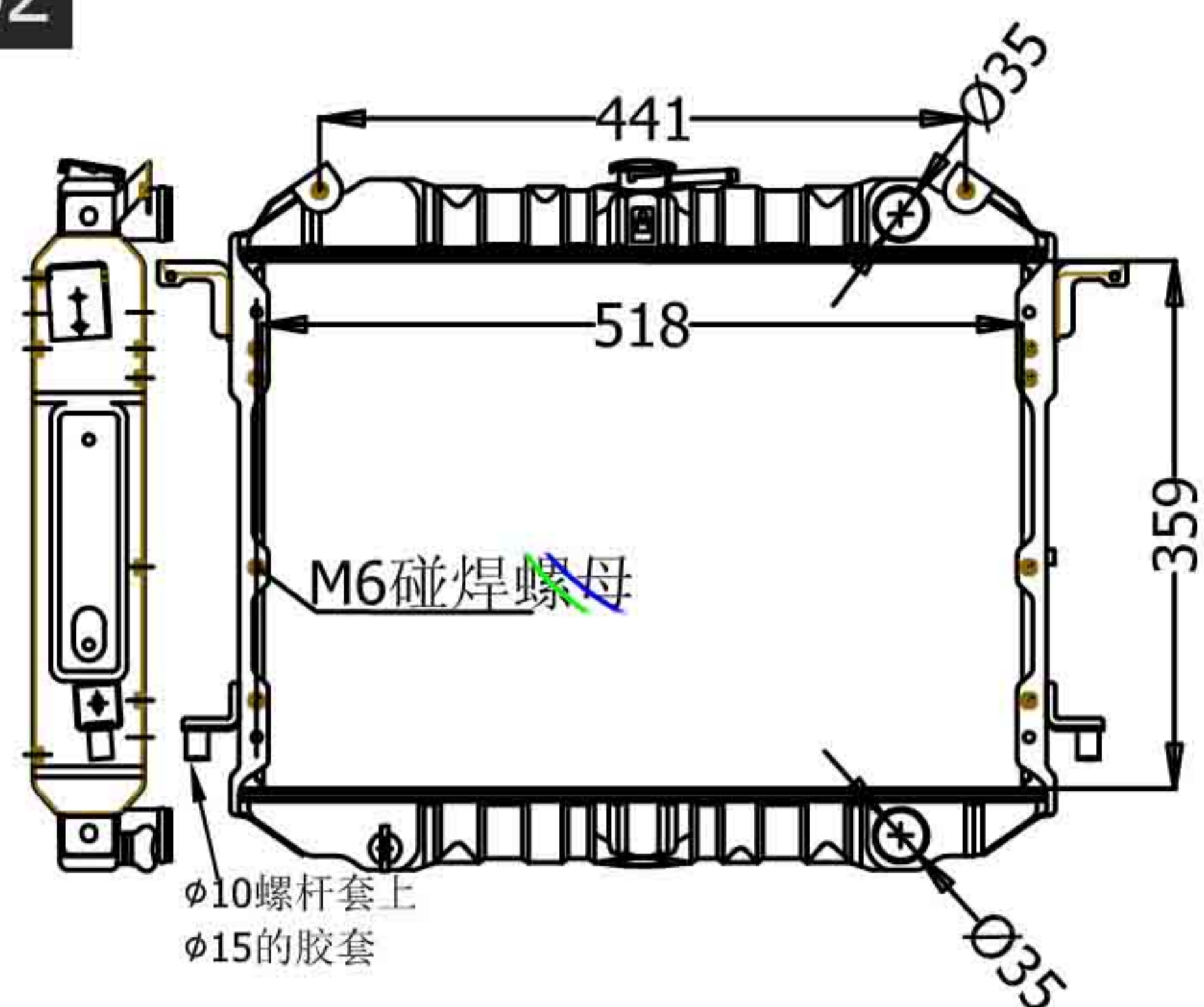
TO-12198

## NI-15001



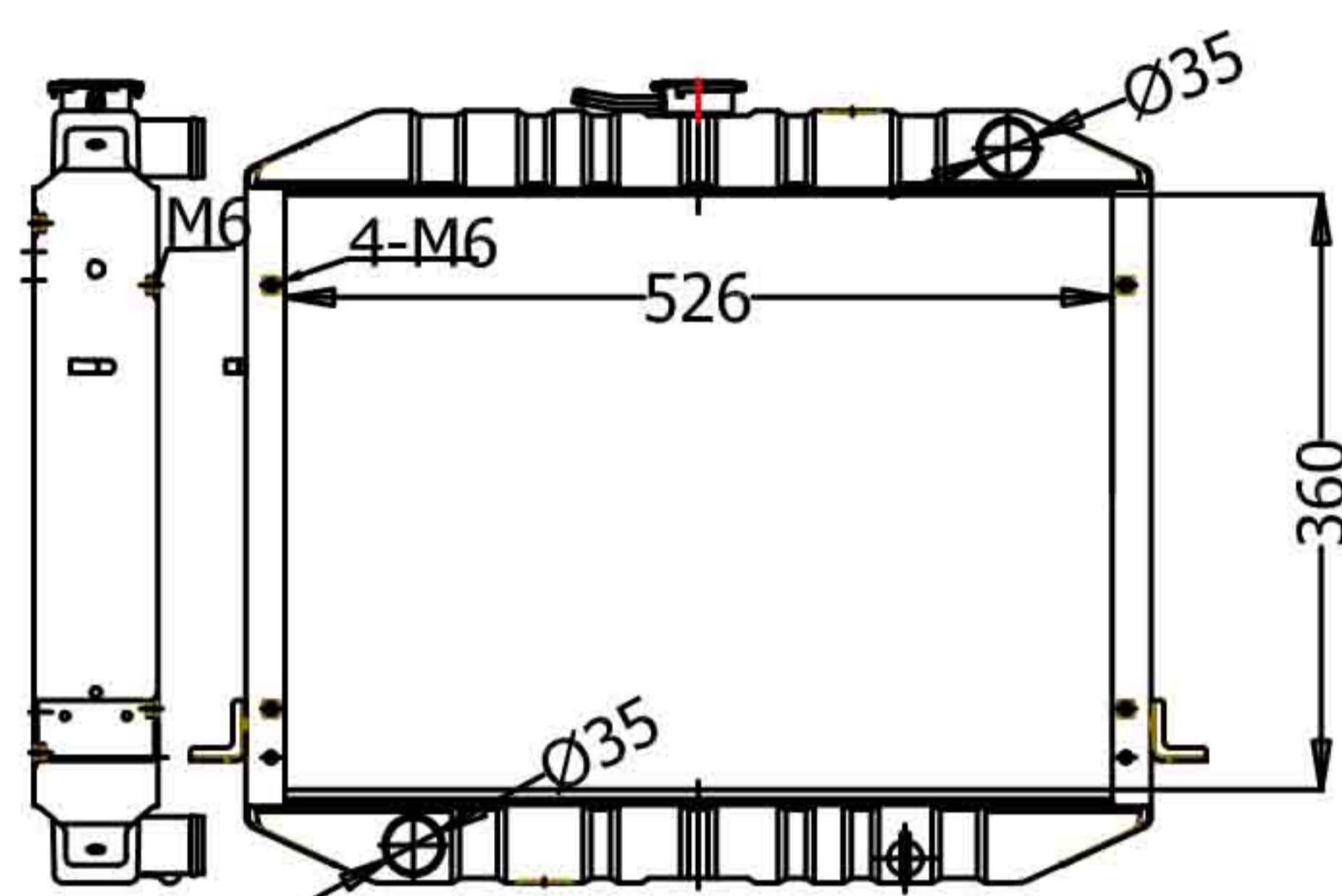
CARTYPE: NISSAN PICKUP 日产皮卡 D2000L 82-89 MTM  
 CORE SIZE: BC 358x588x49 TANK SIZE: 615\*65  
 CARTON: 730\*560\*120  
 OEM: 21400-23L00  
 DPI:

## NI-15002



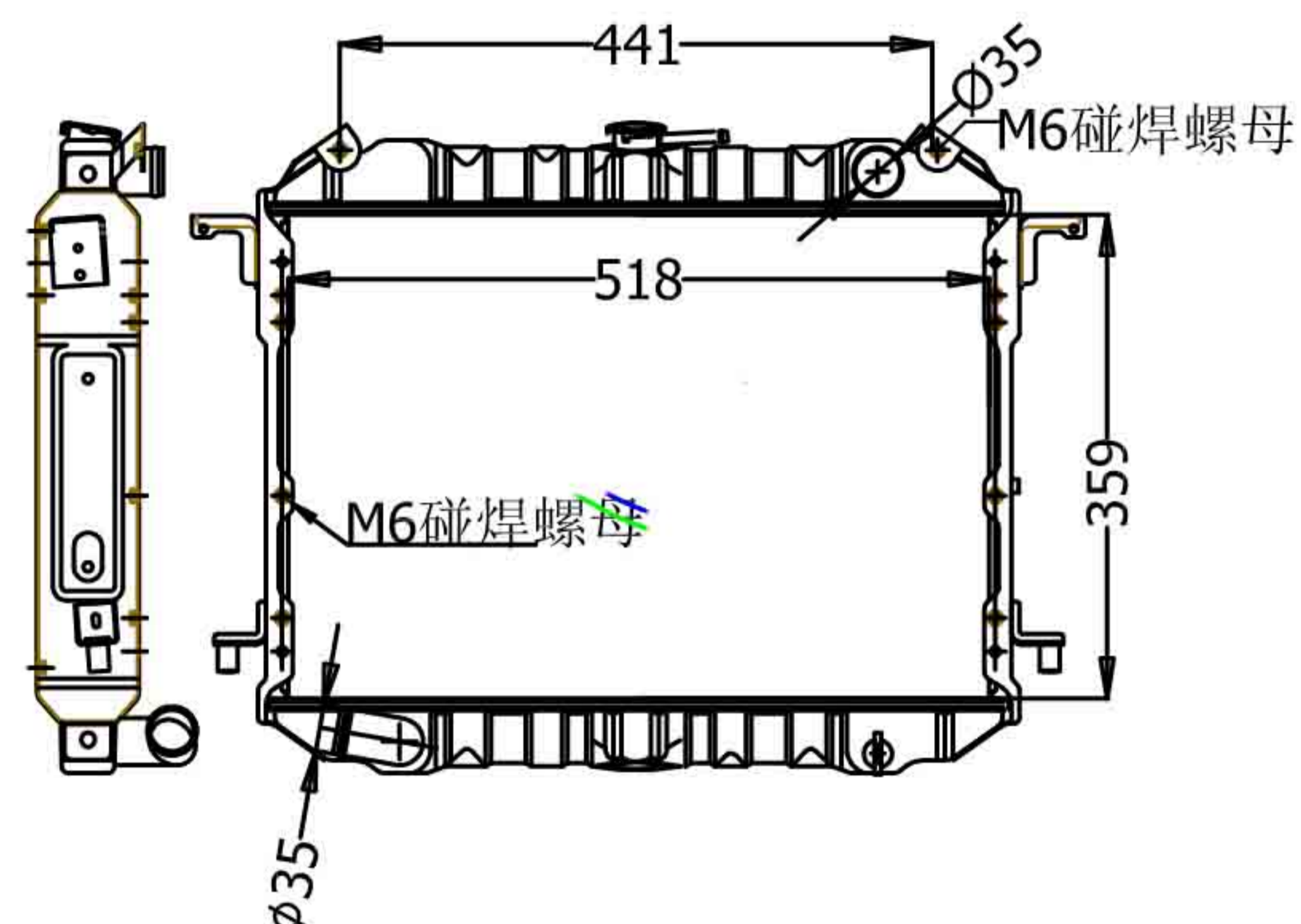
CARTYPE: NISSAN PICKUP URAVN 90- (日产皮卡2#) MT  
 CORE SIZE: BC 359\*518\*32 TANK SIZE: 545\*48  
 CARTON: 690\*520\*120  
 OEM: 21410-09N01  
 DPI:

## NI-15003



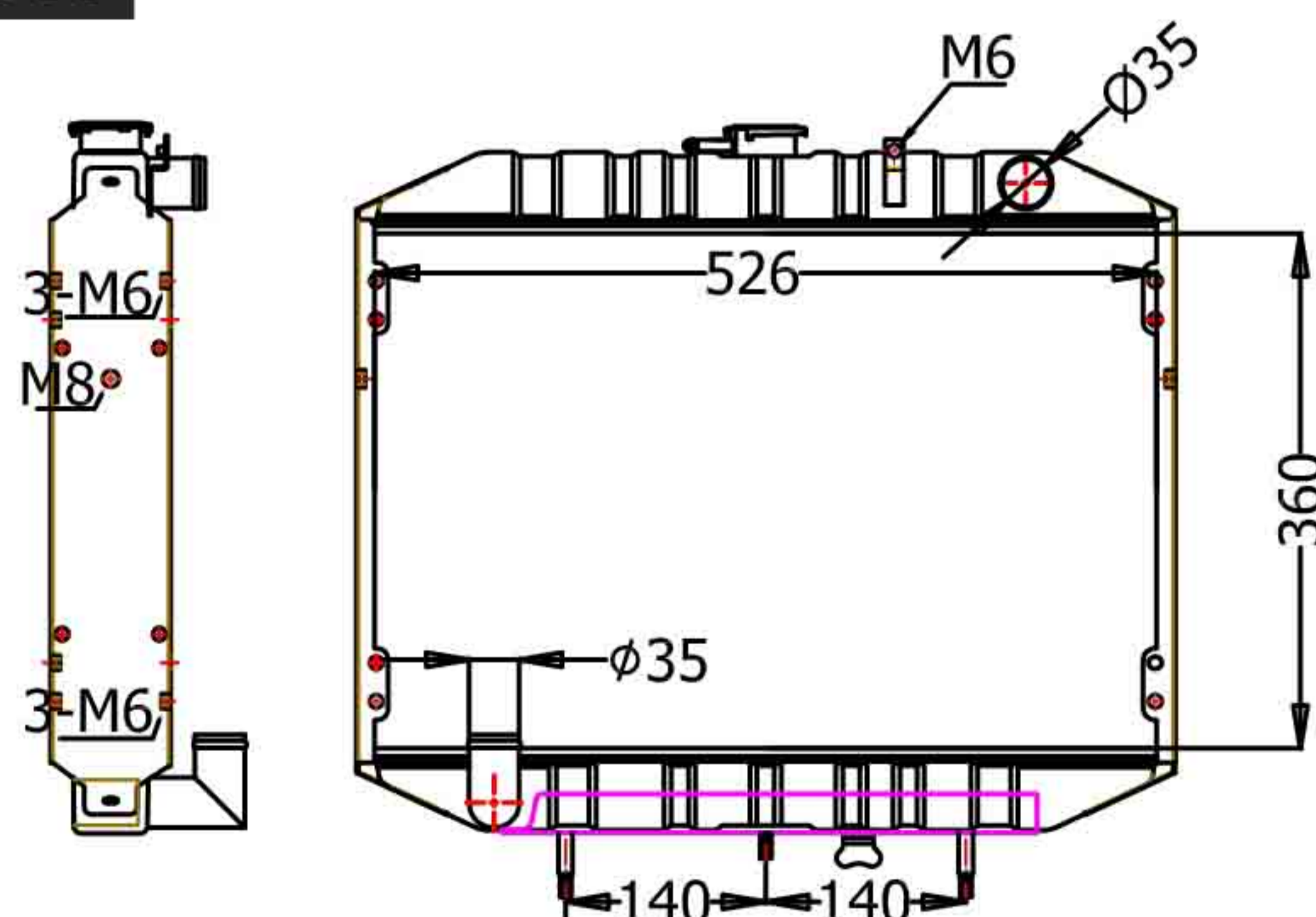
CARTYPE: NISSAN (日产E24卡车) MT  
 CORE SIZE: BC 360\*526 \*49 TANK SIZE:550\*60  
 CARTON:  
 OEM:  
 DPI:

## NI-15004



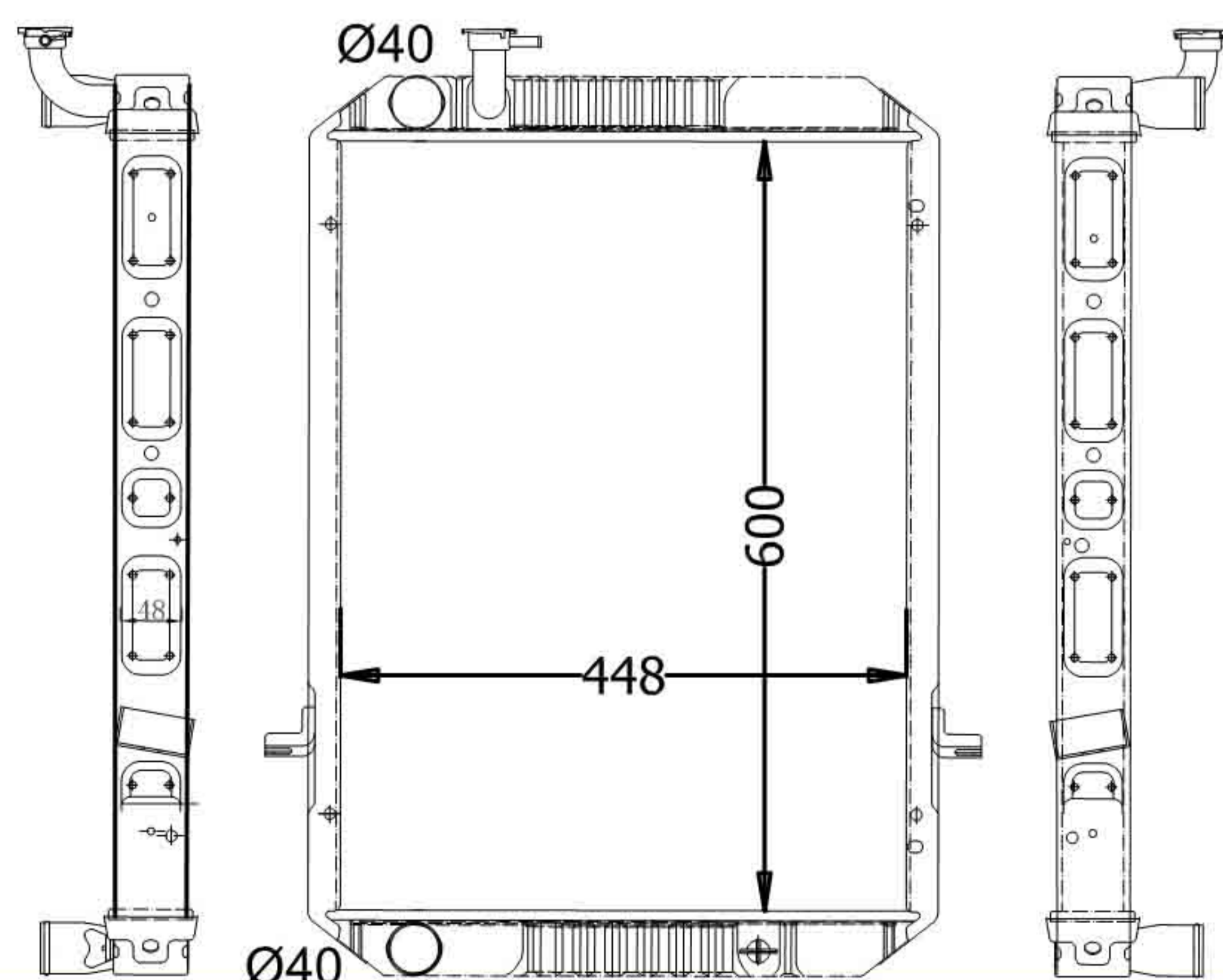
CARTYPE: NISSAN PICK (日产皮卡3#) MT  
 CORE SIZE: BC 359\*518\*32 TANK SIZE: 545\*48  
 CARTON:  
 OEM:  
 DPI:

## NI-15005



CARTYPE: E25 MT  
 CORE SIZE: BC 360\*526\*49 TANK SIZE: 550\*60  
 CARTON:  
 OEM:  
 DPI:

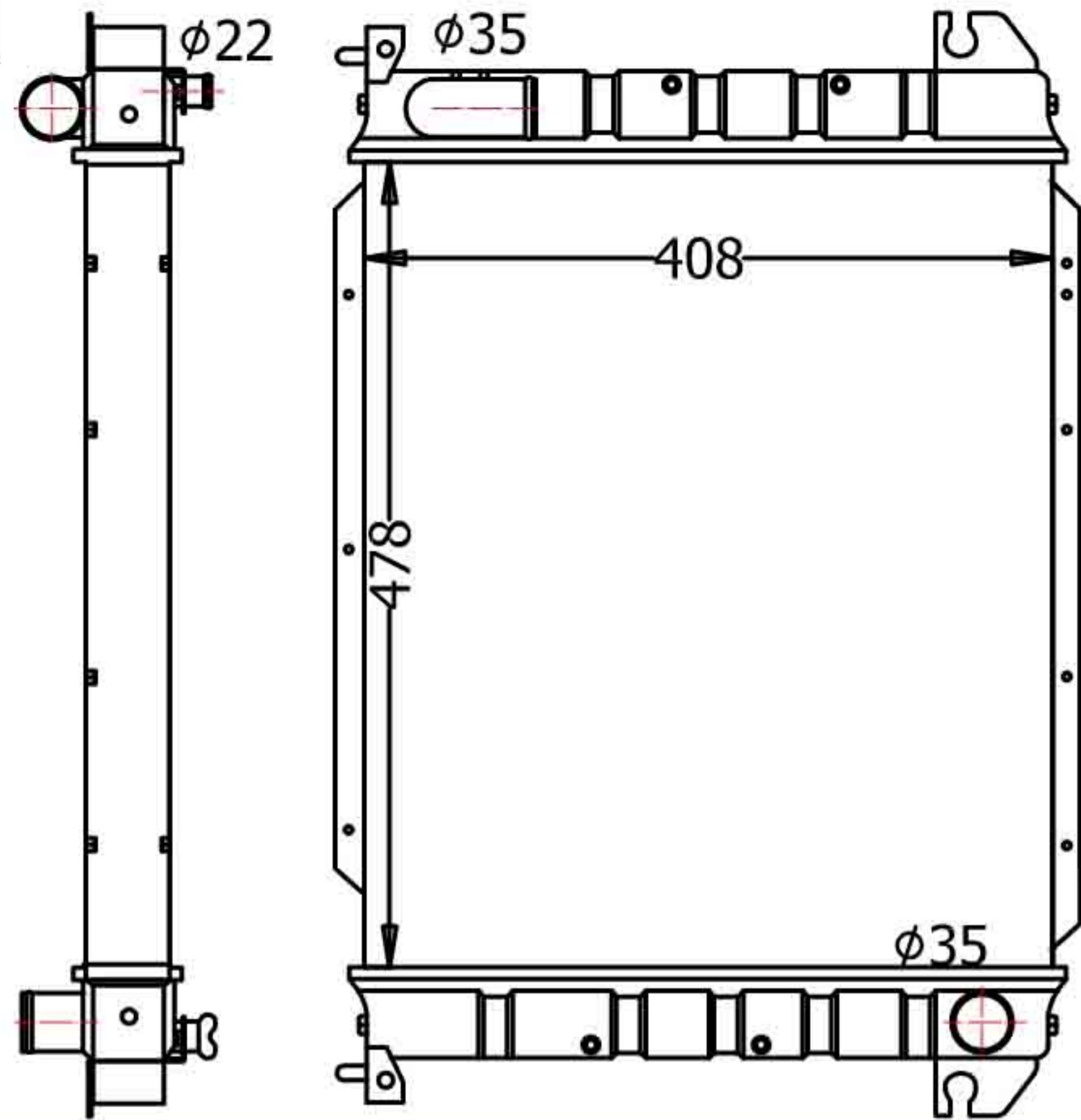
## NI-15006



CARTYPE : YU41 MT  
 CORE SIZE :BC:600\*448\*32 TANK SIZE :65\*462  
 CARTON:  
 OEM :TD272004  
 DPI :

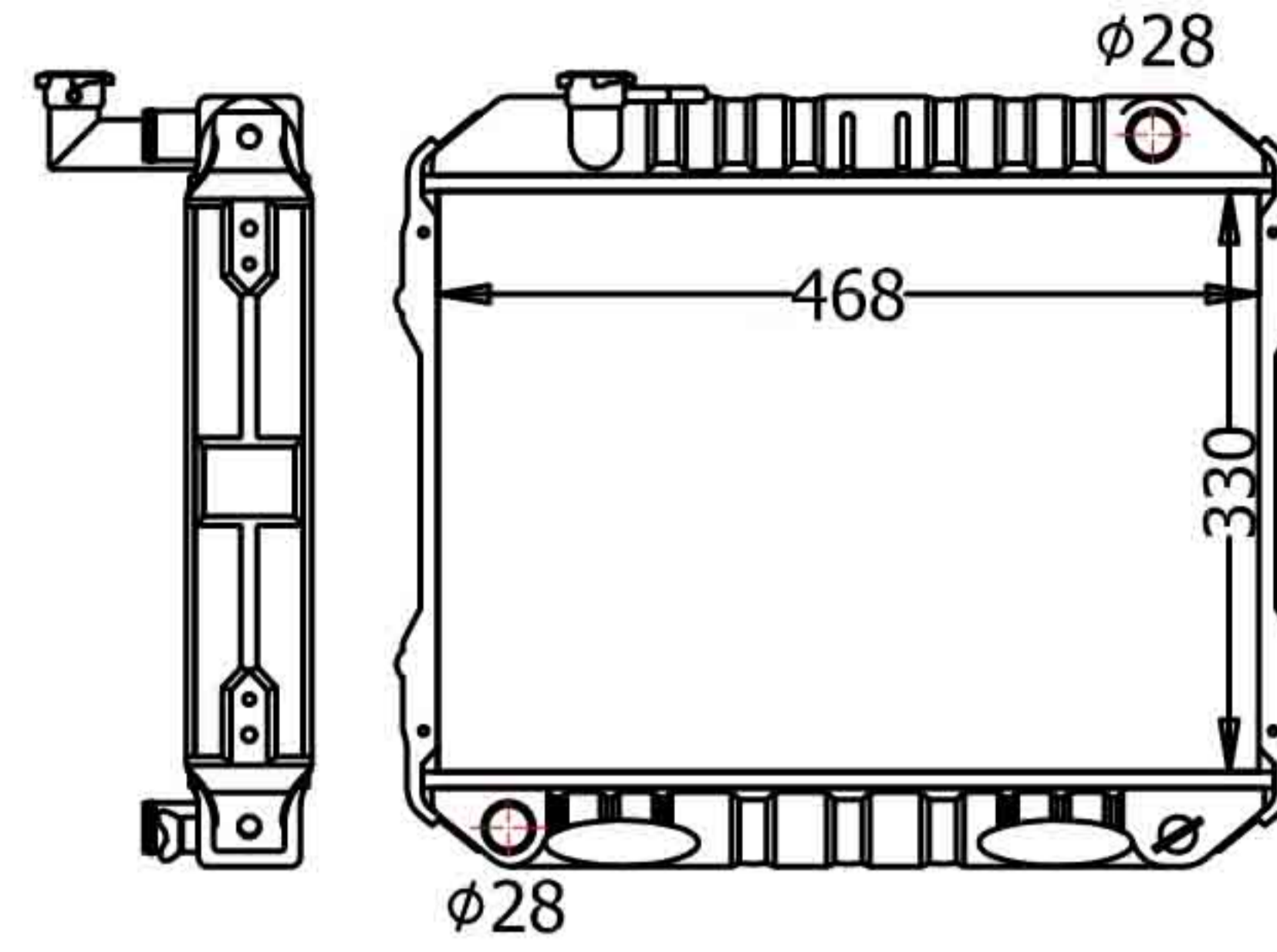
# NISSAN

NI-15007



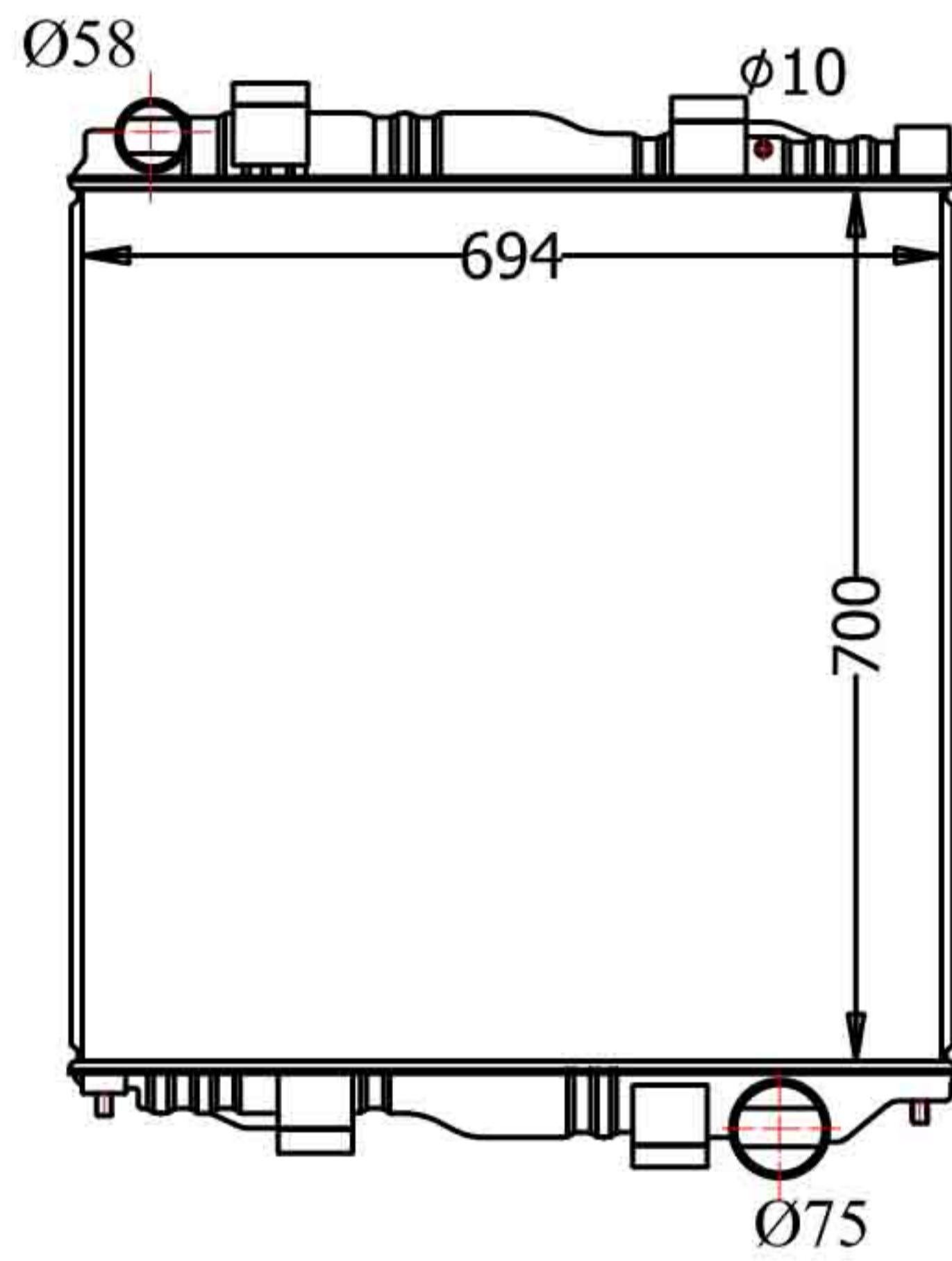
CARTYPE : URVAN MT  
 CORE SIZE : BC:478\*408\*48 TANK SIZE :410\*65  
 CARTON:  
 OEM :TD272004  
 DPI :

NI-15008



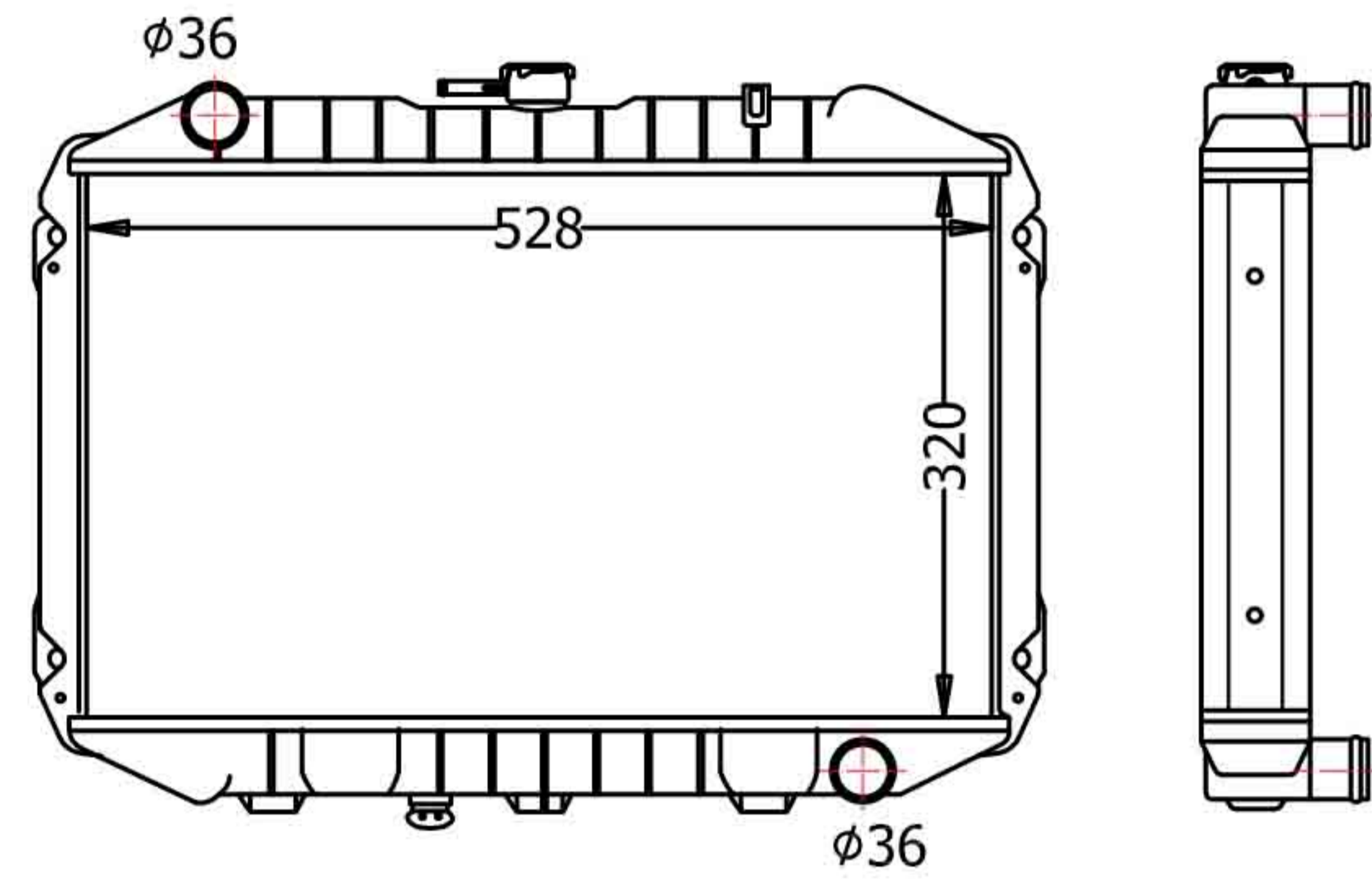
CARTYPE : VANETTE C22 MT  
 CORE SIZE : BC : 330\*468\*38 TANK SIZE :65\*485  
 CARTON:  
 OEM :  
 DPI :

NI-15009



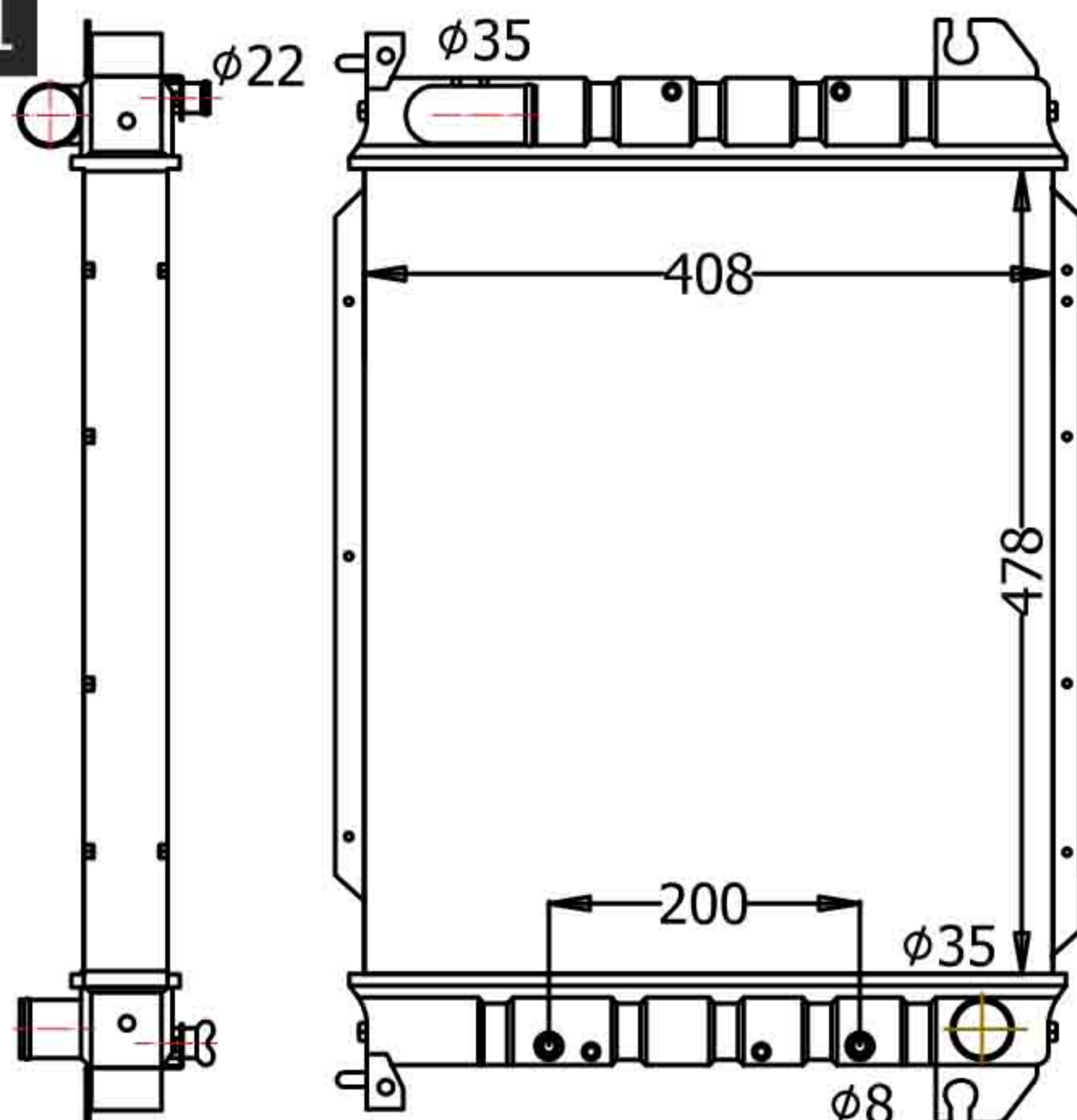
CARTYPE : NISSAN UD MT KC-CK531K RG8 98-  
 CORE SIZE : BC :700×694×50 TANK SIZE :76/76\*713  
 CARTON:  
 OEM :21400-03Z78/04Z03/04Z13/05Z00/05Z01/05Z02  
 DPI : PL021920

NI-15010



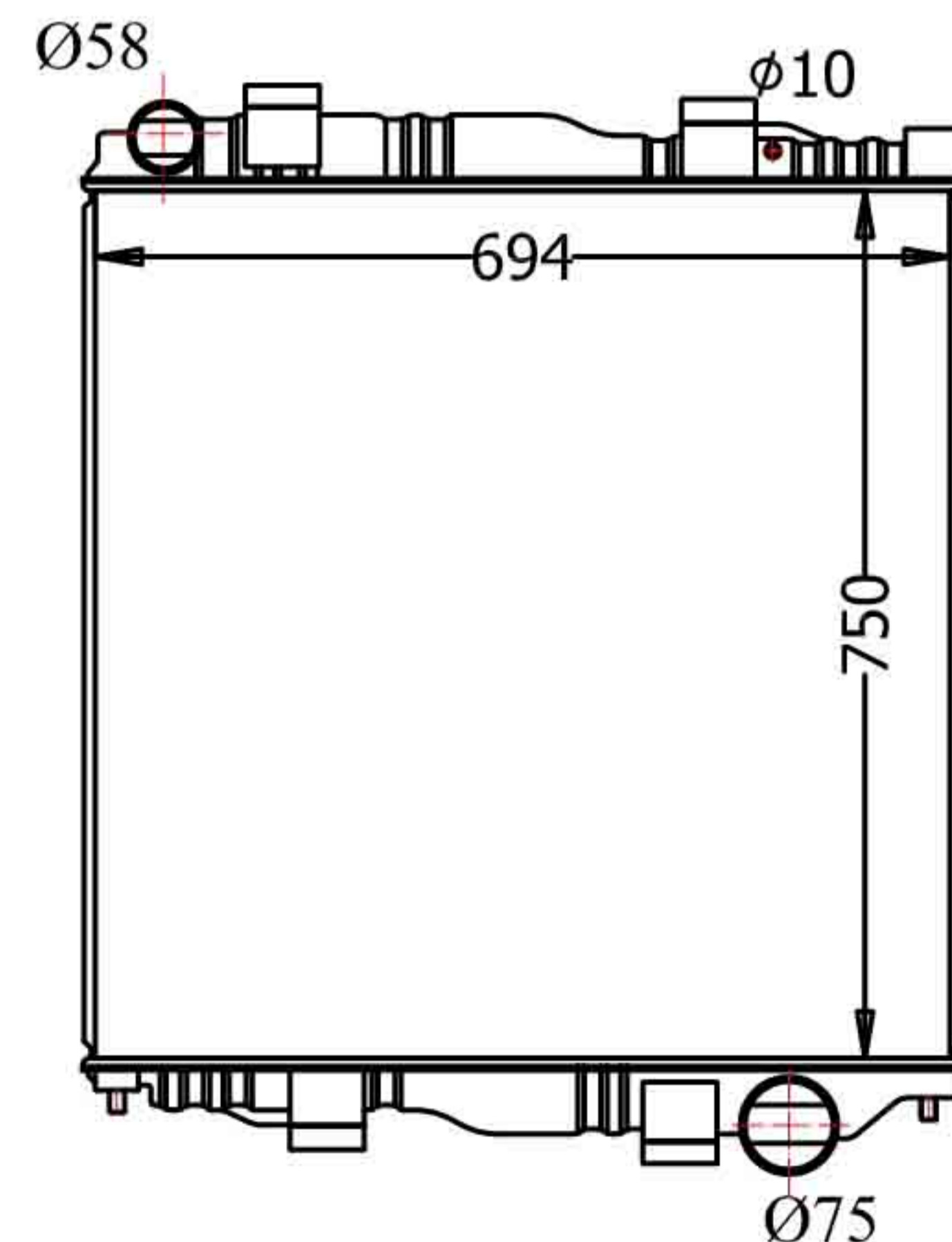
CARTYPE : LONDONN TAXI GENERATOR MT  
 CORE SIZE : BC :320\*528\*32 TANK SIZE :67/67\*556  
 CARTON:  
 OEM :21410-04W00  
 DPI :

NI-15011



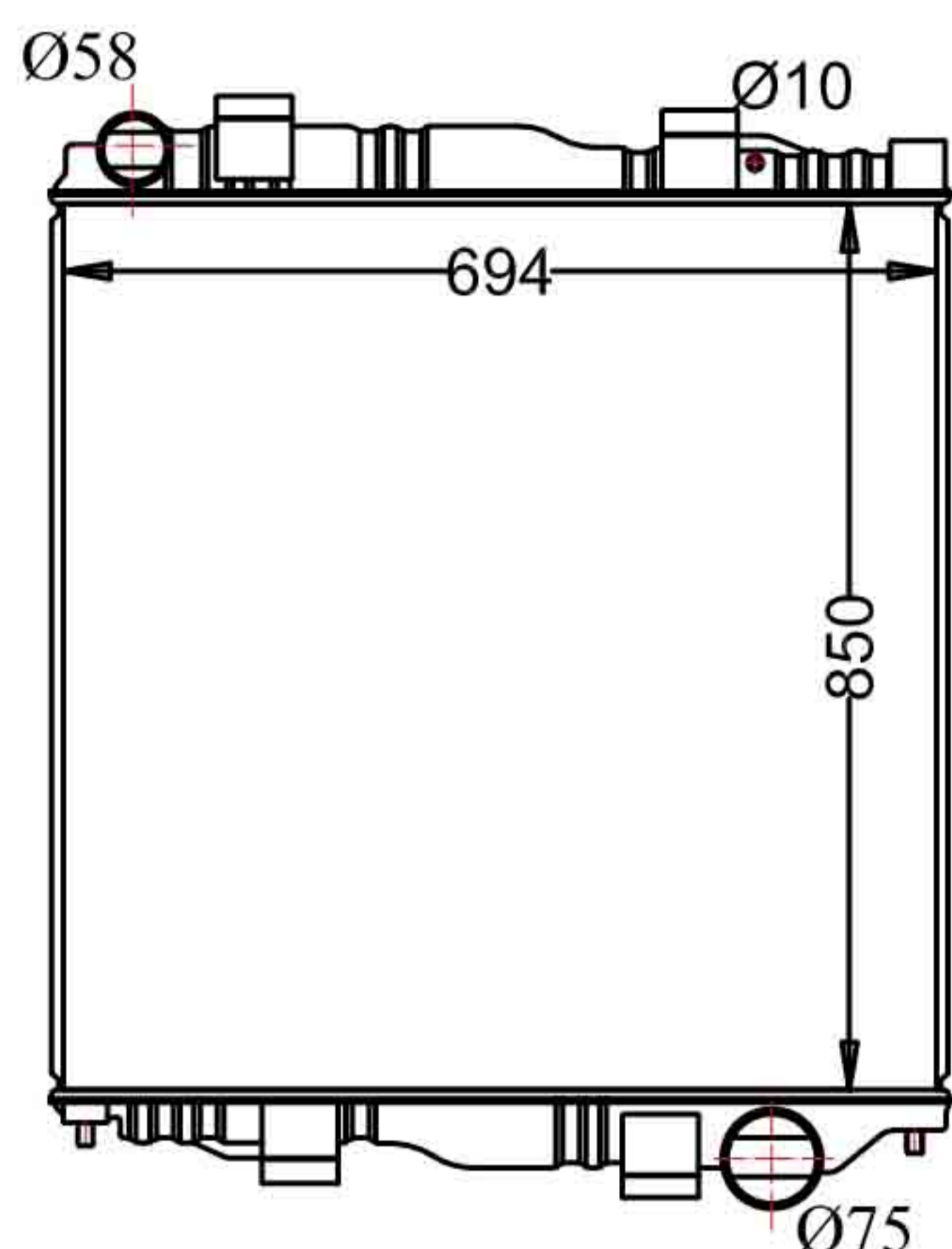
CARTYPE : URVAN AT  
 CORE SIZE : BC:478\*408\*48 TANK SIZE :410\*65  
 CARTON:  
 OEM :TD272004  
 DPI :

NI-15012



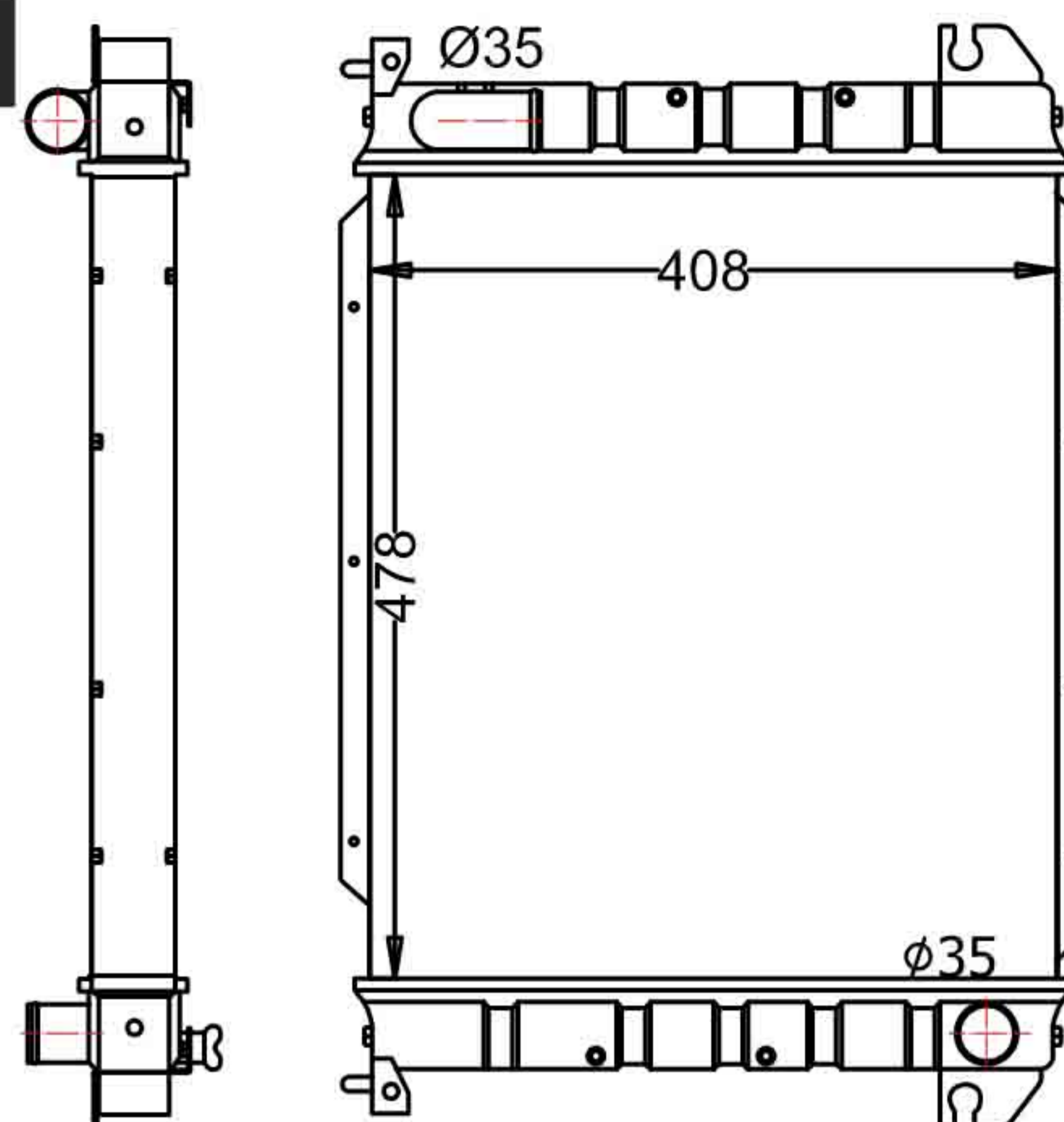
CARTYPE : NISSAN UD MT KC-CD48 GE13TA 2000-  
 CORE SIZE : BC :750×694×50 TANK SIZE :76/76\*713  
 CARTON:  
 OEM :21400-03Z79/04Z05/04Z07/04Z14/04Z67/04Z68  
 /05Z05/05Z06/05Z68  
 DPI : PL021923

NI-15013



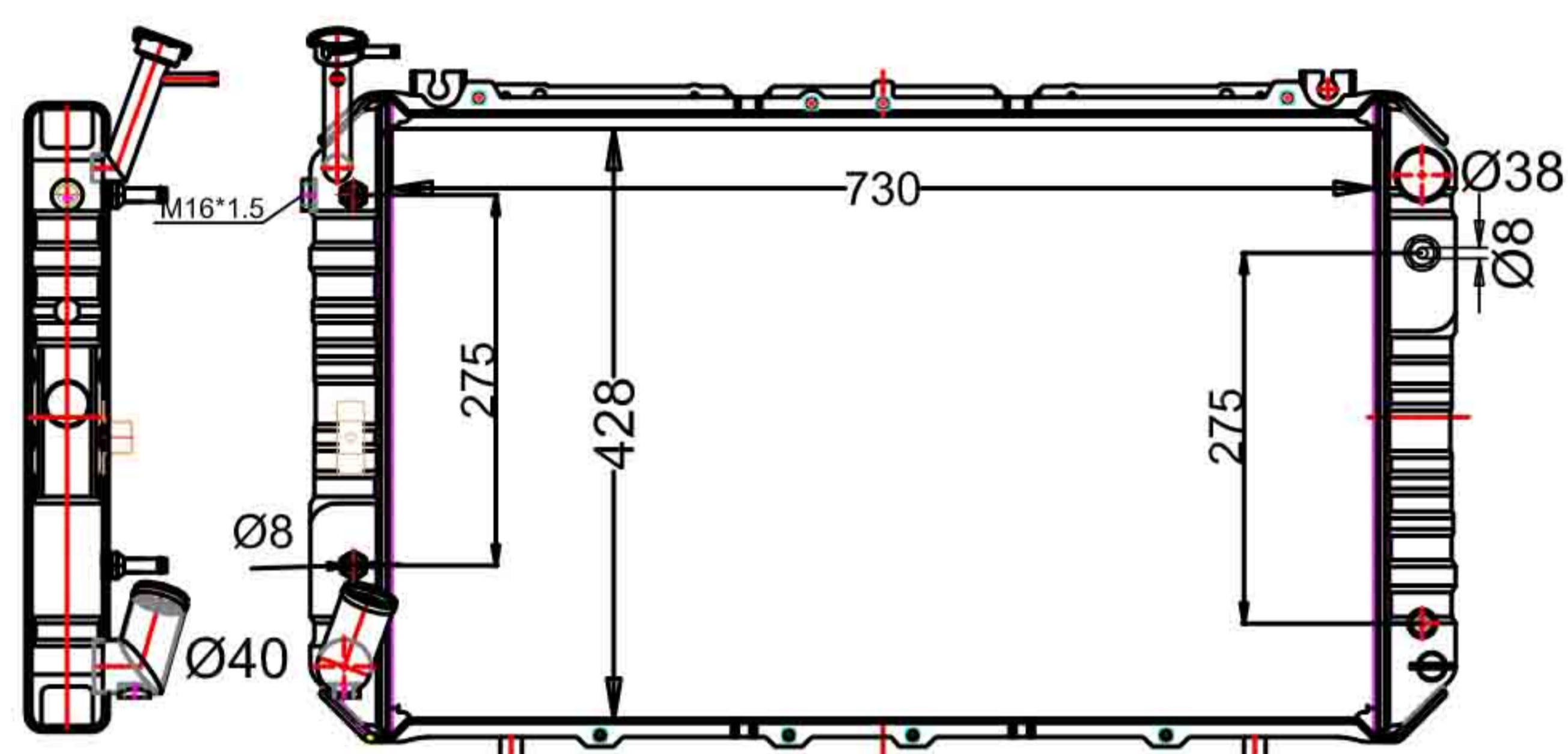
CARTYPE : NISSAN UD MT KC-CD48 GE13TA 2000-  
 CORE SIZE : BC :850×694×50 TANK SIZE :76/76\*713  
 CARTON:  
 OEM :21400-04Z01  
 DPI : PL021926

NI-15014



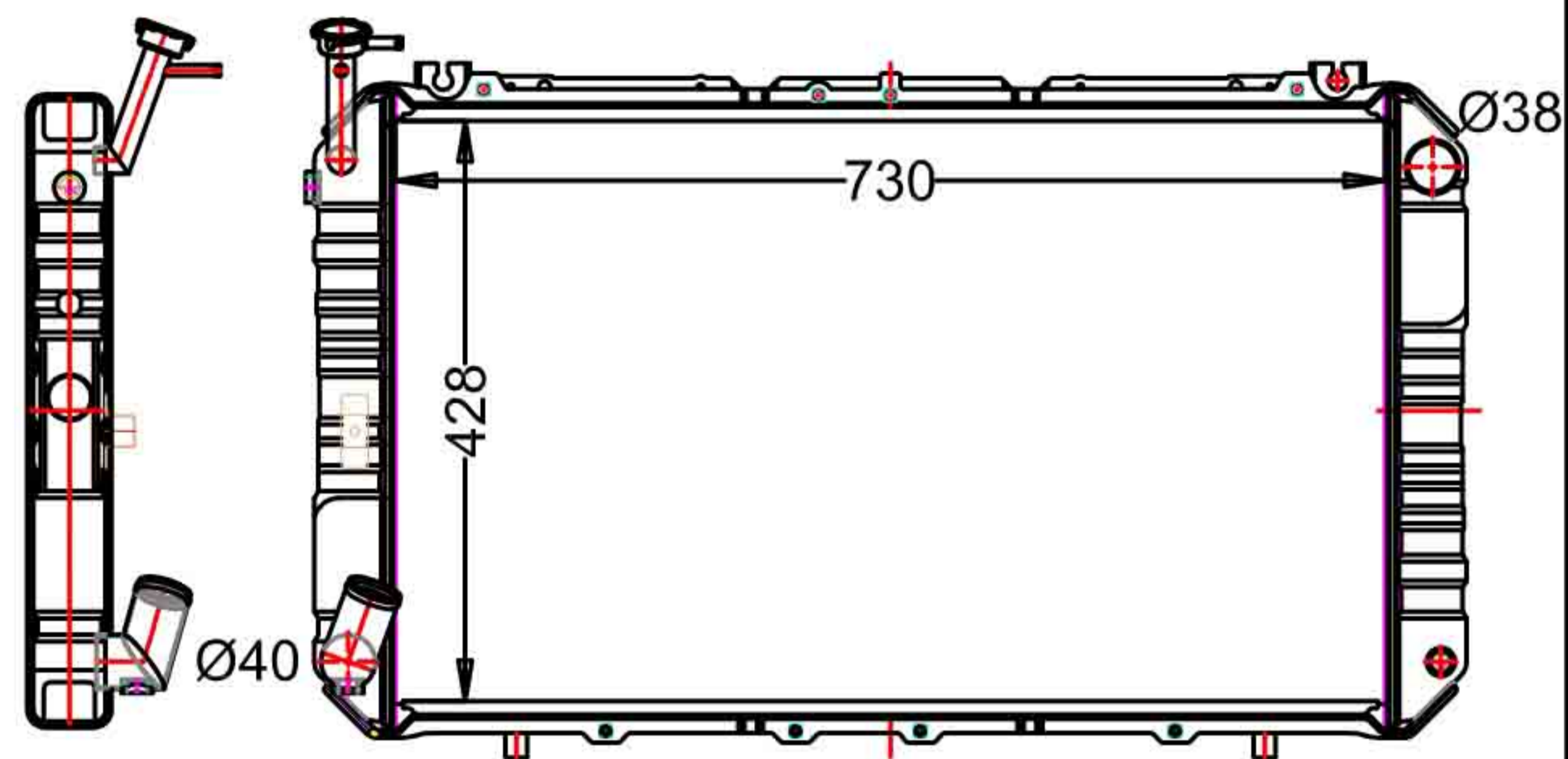
CARTYPE : URVAN MT  
 CORE SIZE :BC:478\*408\*48 TANK SIZE :62\*418  
 CARTON:  
 OEM :  
 DPI :

NI-15015



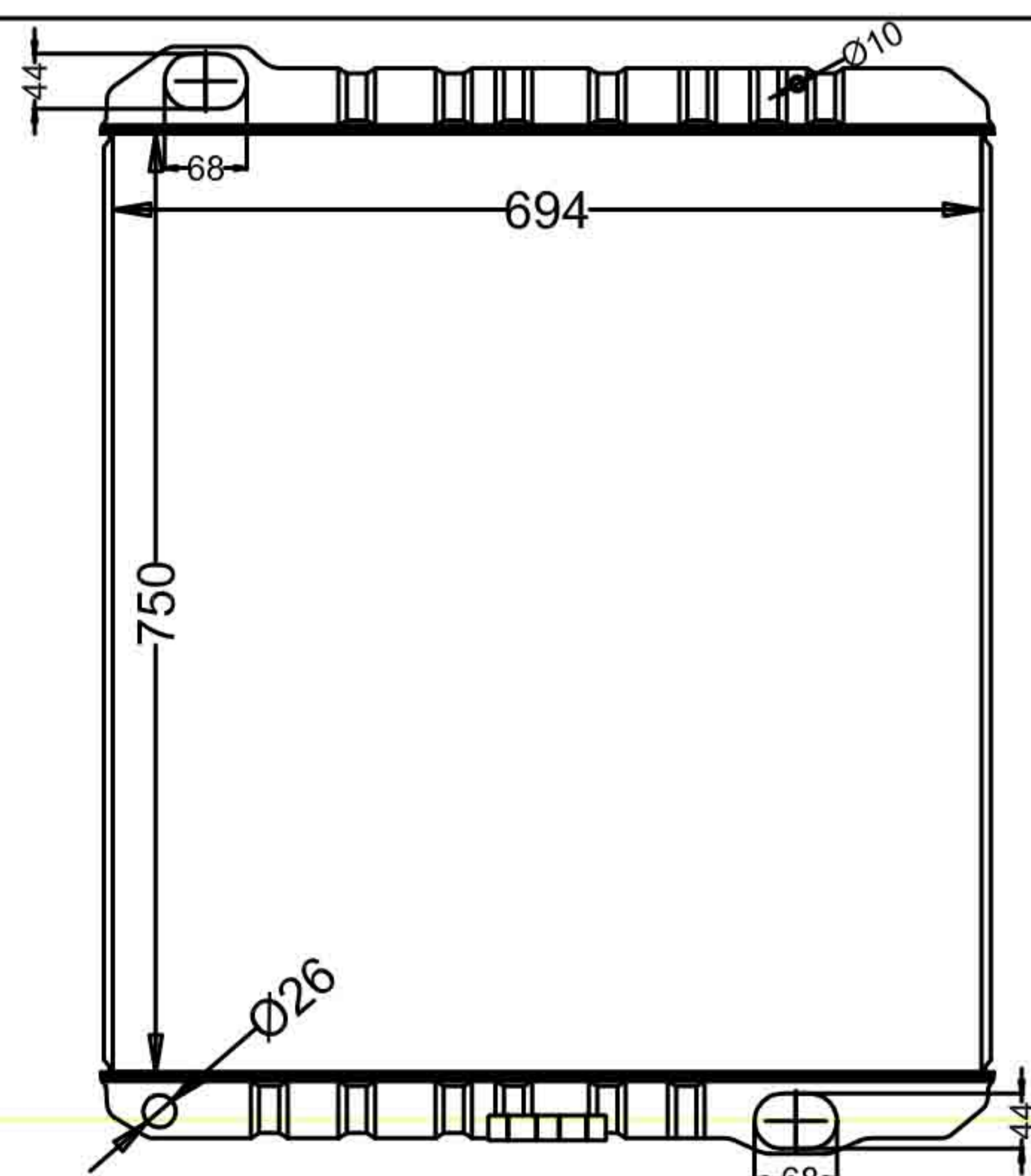
CARTYPE :NISSAN Y60 TURBO AT  
 CORE SIZE : BC : 730\*428\*48 TANK SIZE :465\*60  
 CORE SIZE :  
 OEM :  
 DPI :

NI-15016



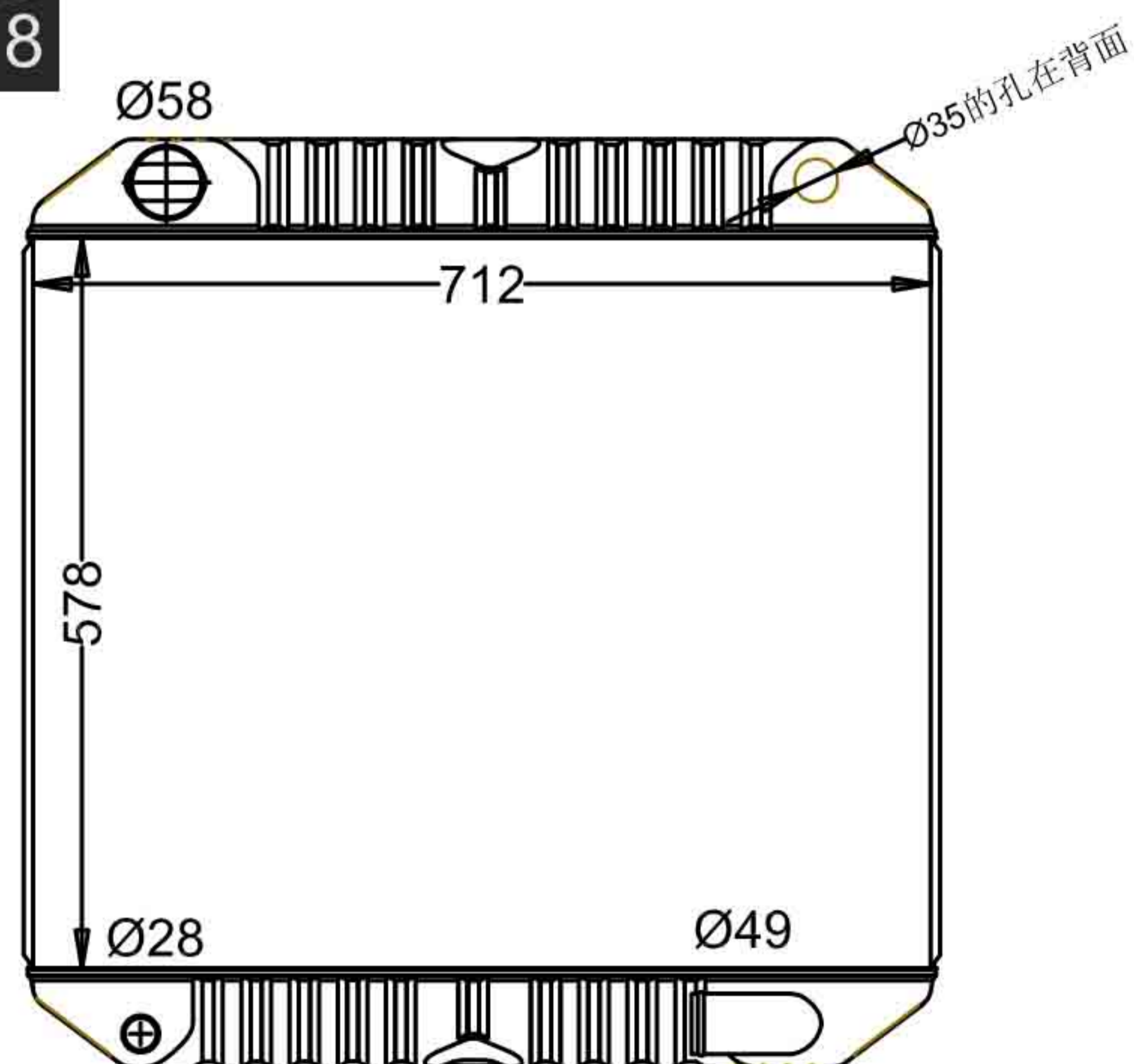
CARTYPE :NISSAN Y60 TURBO MT  
 CORE SIZE : BC : 730\*428\*48 TANK SIZE :465\*60  
 CORE SIZE :  
 OEM :  
 DPI :

NI-15017



CARTYPE: UD MT  
 CORE SIZE: BC 750\*694\*48 TANK SIZE:60\*713  
 CARTON:  
 OEM:  
 DPI:

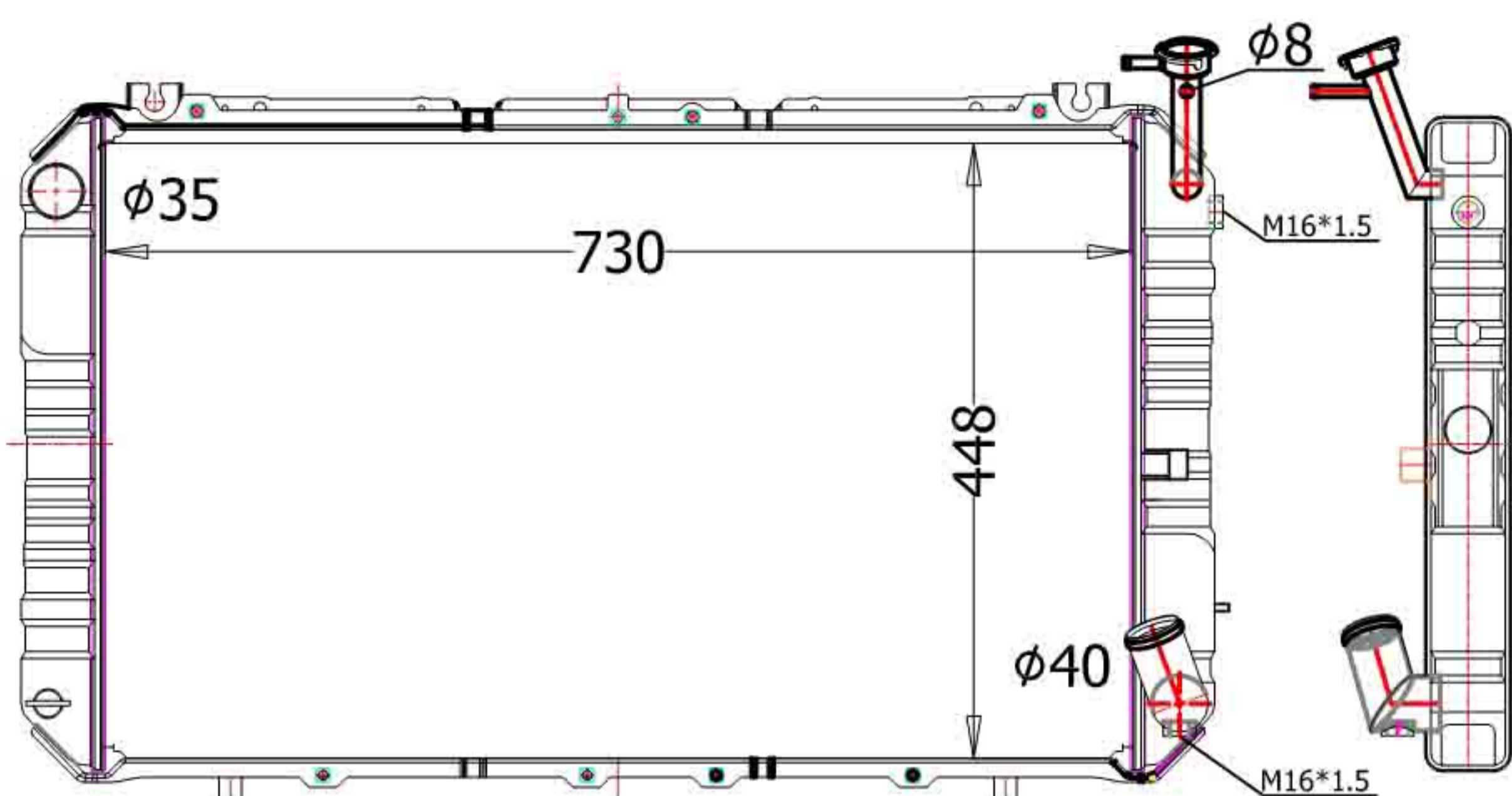
NI-15018



CARTYPE: NISSIN CK20 MT  
 CORE SIZE: BC 578\*712\*48 TANK SIZE:92\*720  
 CARTON:  
 OEM:  
 DPI:

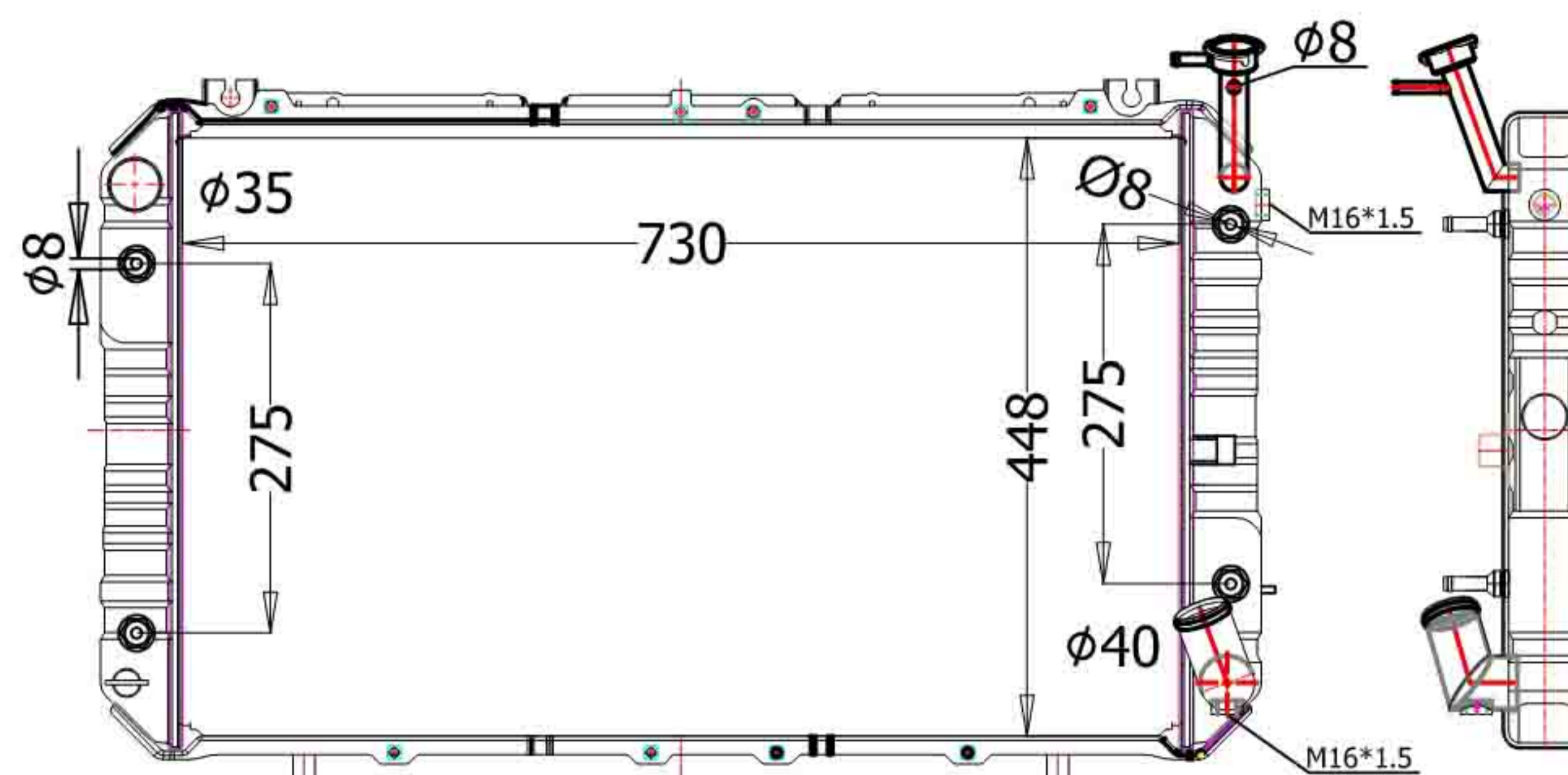
# NISSAN

**NI-15019**



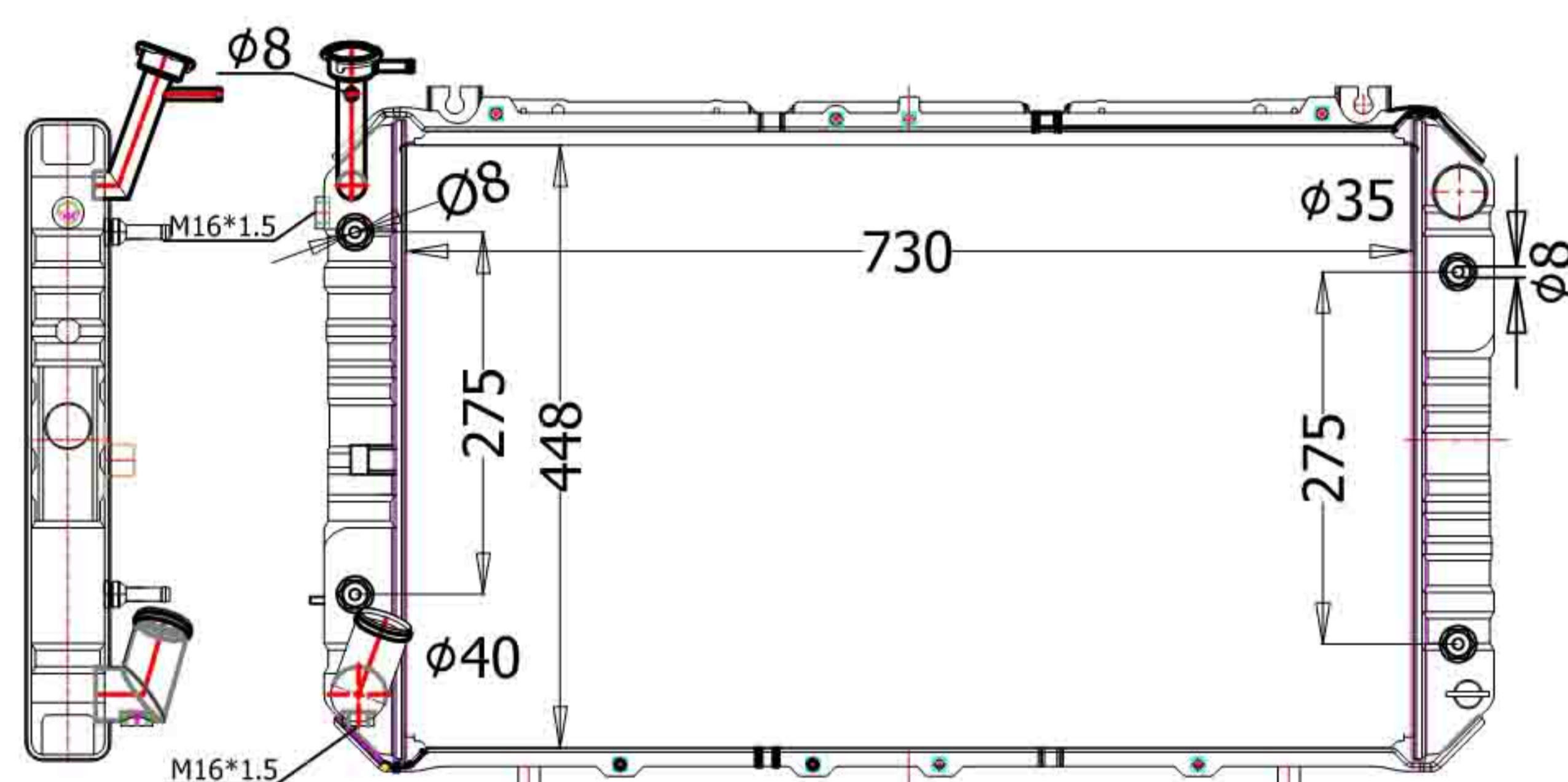
CARTYPE : NISSAN PETROL ' 93Y60 MTM  
 CORE SIZE : BC :730×448×32 TANK SIZE :51.5\*470  
 CORE SIZE :  
 OEM : 21410-1Y02A  
 DPI :

**NI-15020**



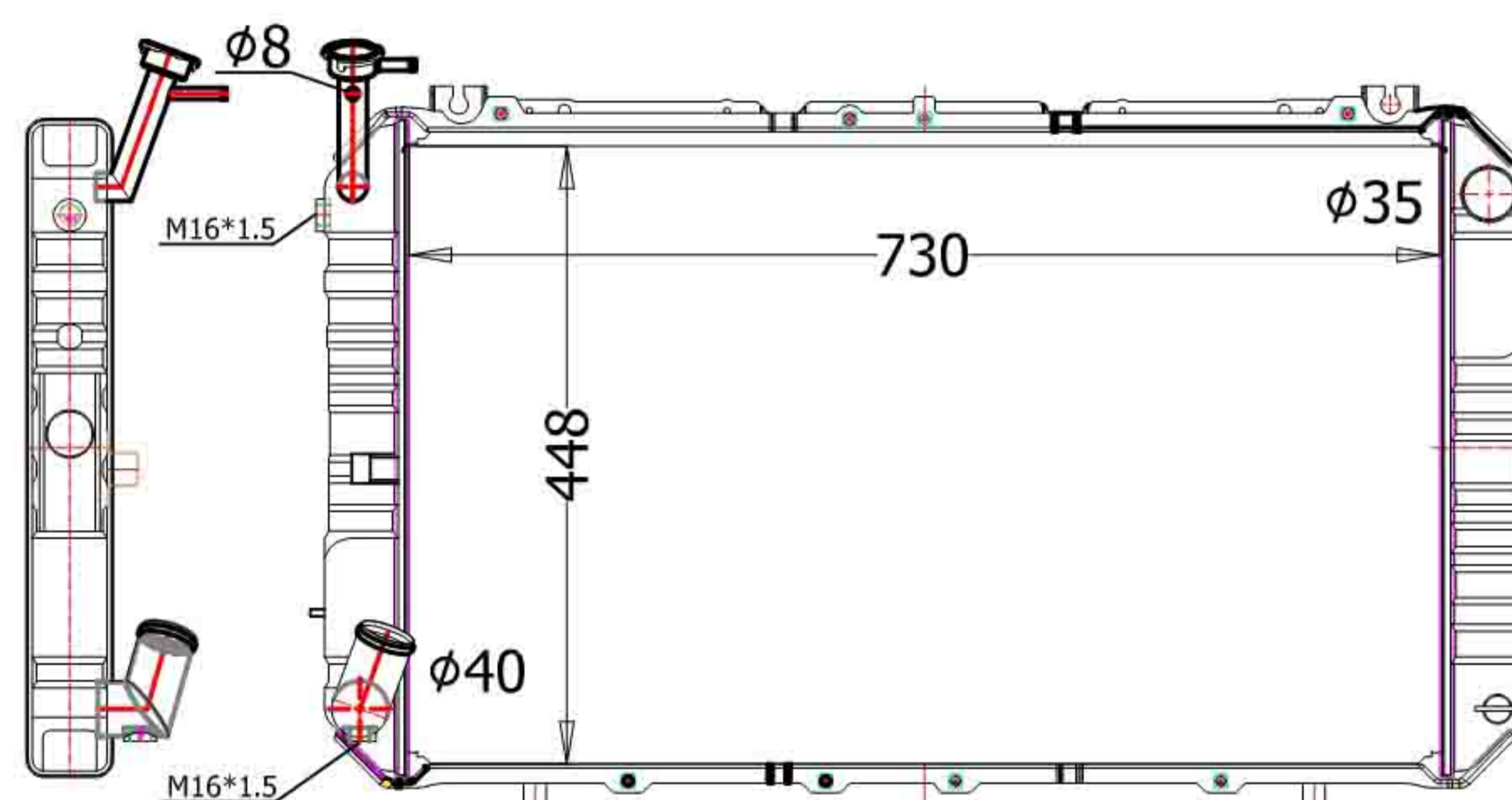
CARTYPE : NISSAN PETROL ' 93Y60 ATM  
 CORE SIZE : BC :730×448×36 TANK SIZE :51.5\*470  
 CORE SIZE :  
 OEM : 21410-1Y060  
 DPI :

**NI-15021**



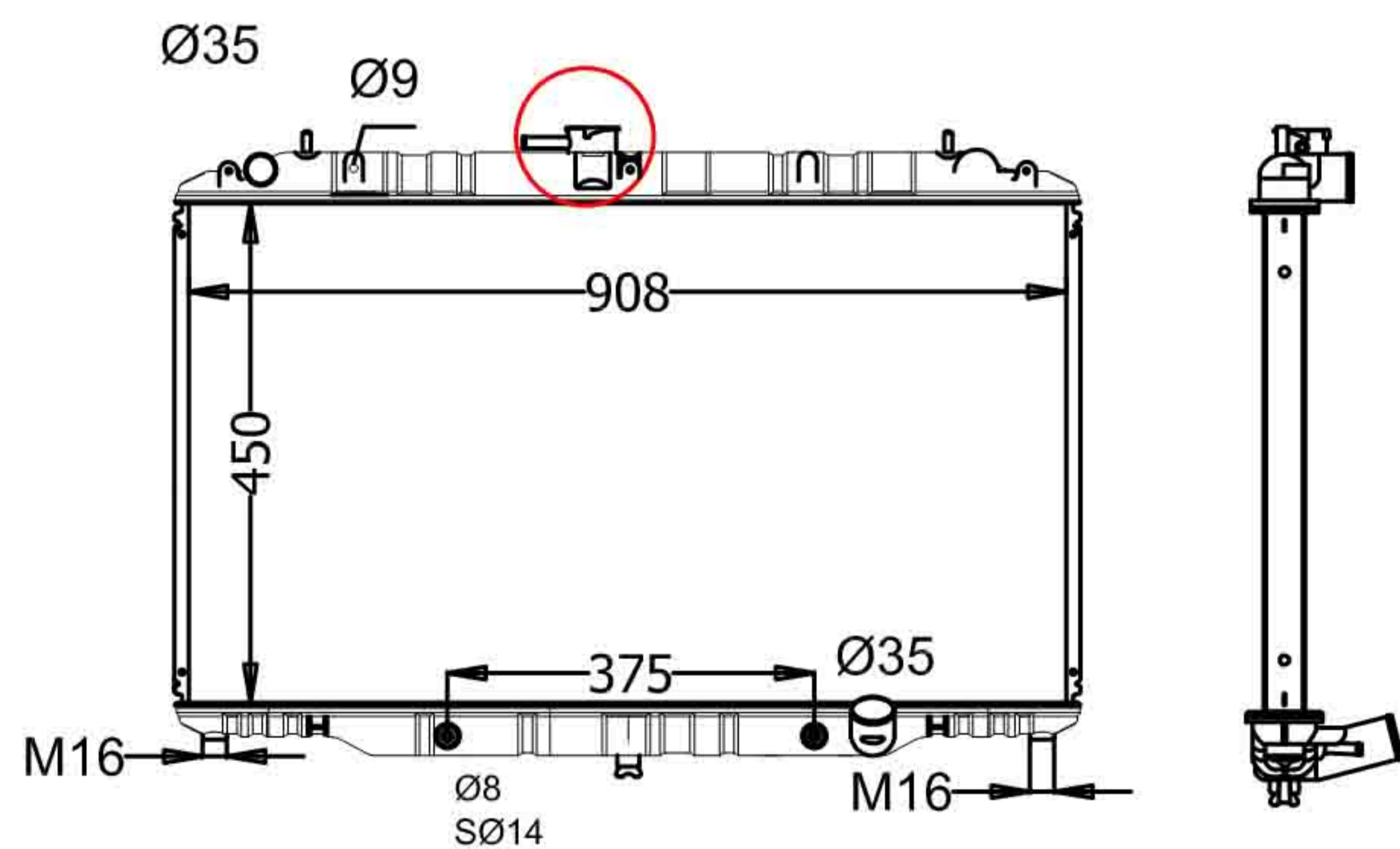
CARTYPE : NISSAN Y60 Turbo Diesel ATM  
 CORE SIZE : BC :730×448×48 TANK SIZE :51.5\*470  
 CORE SIZE :  
 OEM :  
 DPI :

**NI-15022**



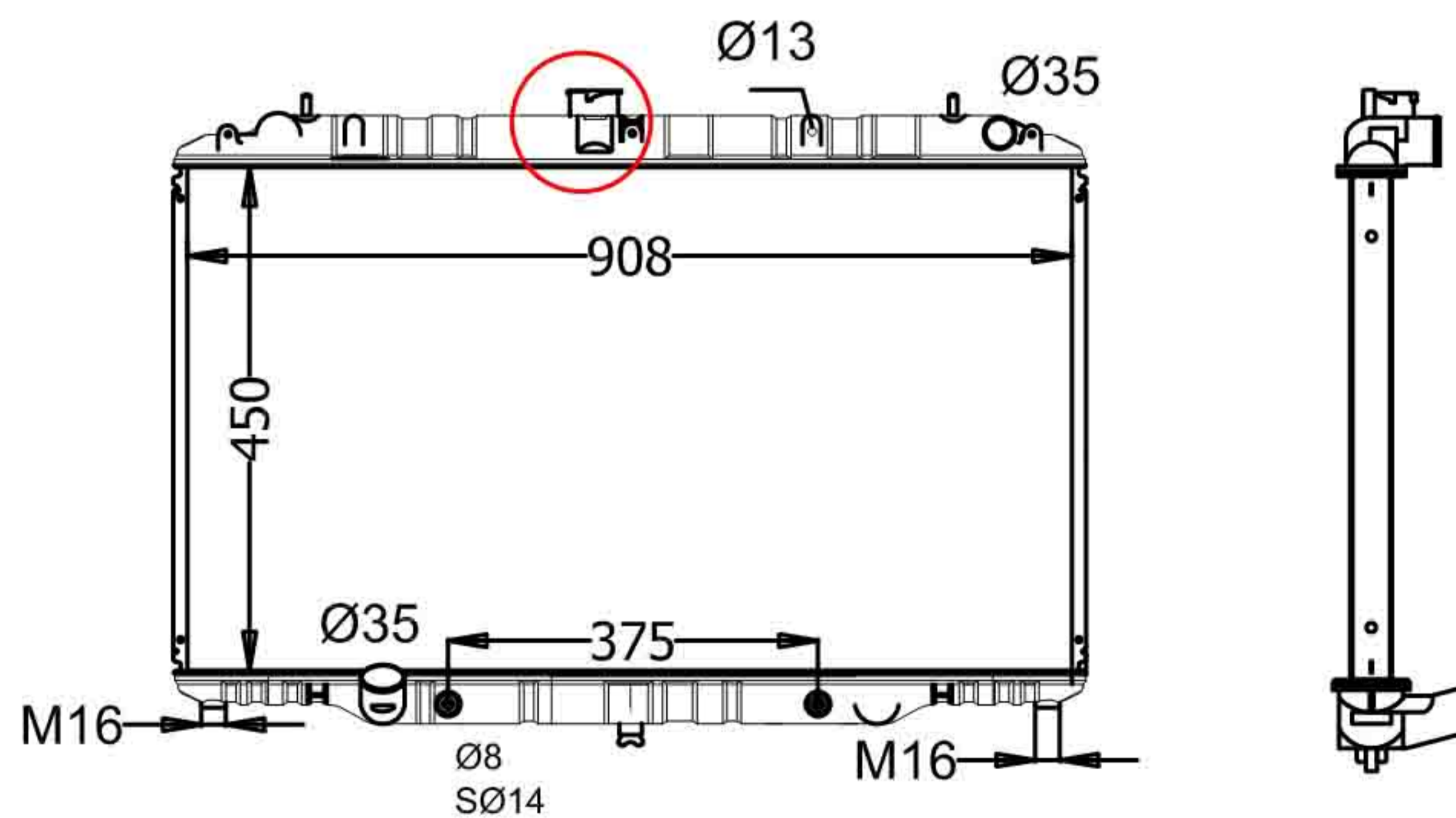
CARTYPE : NISSAN Y60 Turbo Diesel MTM  
 CORE SIZE : BC :730×448×48 TANK SIZE :51.5\*470  
 CORE SIZE :  
 OEM : 21400-20J00  
 DPI :

**NI-15023**



CARTYPE: SAFARI Y61 97-98 AT  
 CORE SIZE: BC 450\*908\*26/32/36 TANK SIZE:51/57\*931  
 CARTON:  
 OEM:  
 DPI: NISSENS:

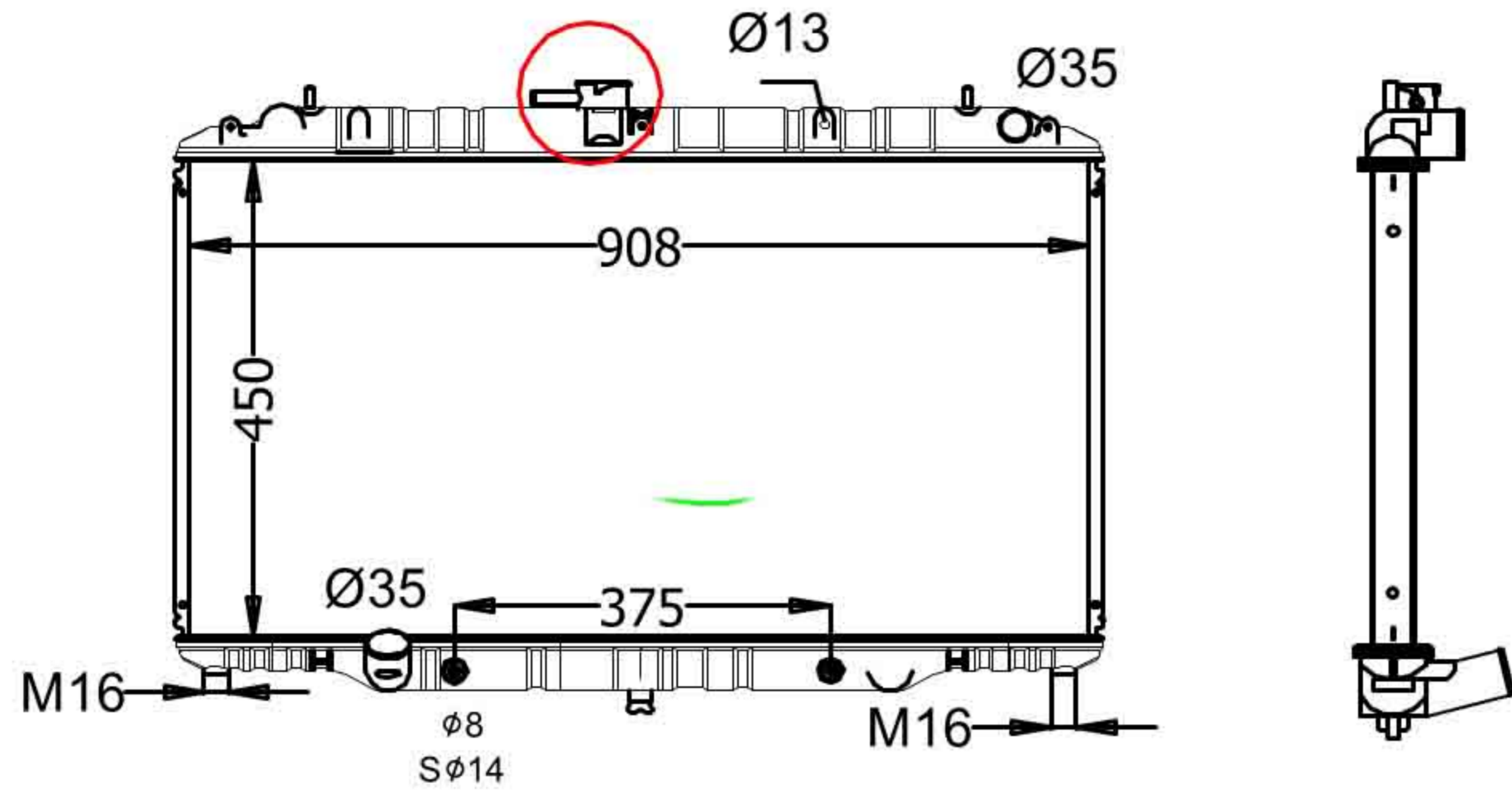
**NI-15024**



CARTYPE: SAFARI WYY61 97- AT  
 CORE SIZE: BC 450\*908\*26/32/36 TANK SIZE:51/57\*931  
 CARTON:  
 OEM: 21460-VB300/VB800  
 DPI: NISSENS: 62953A

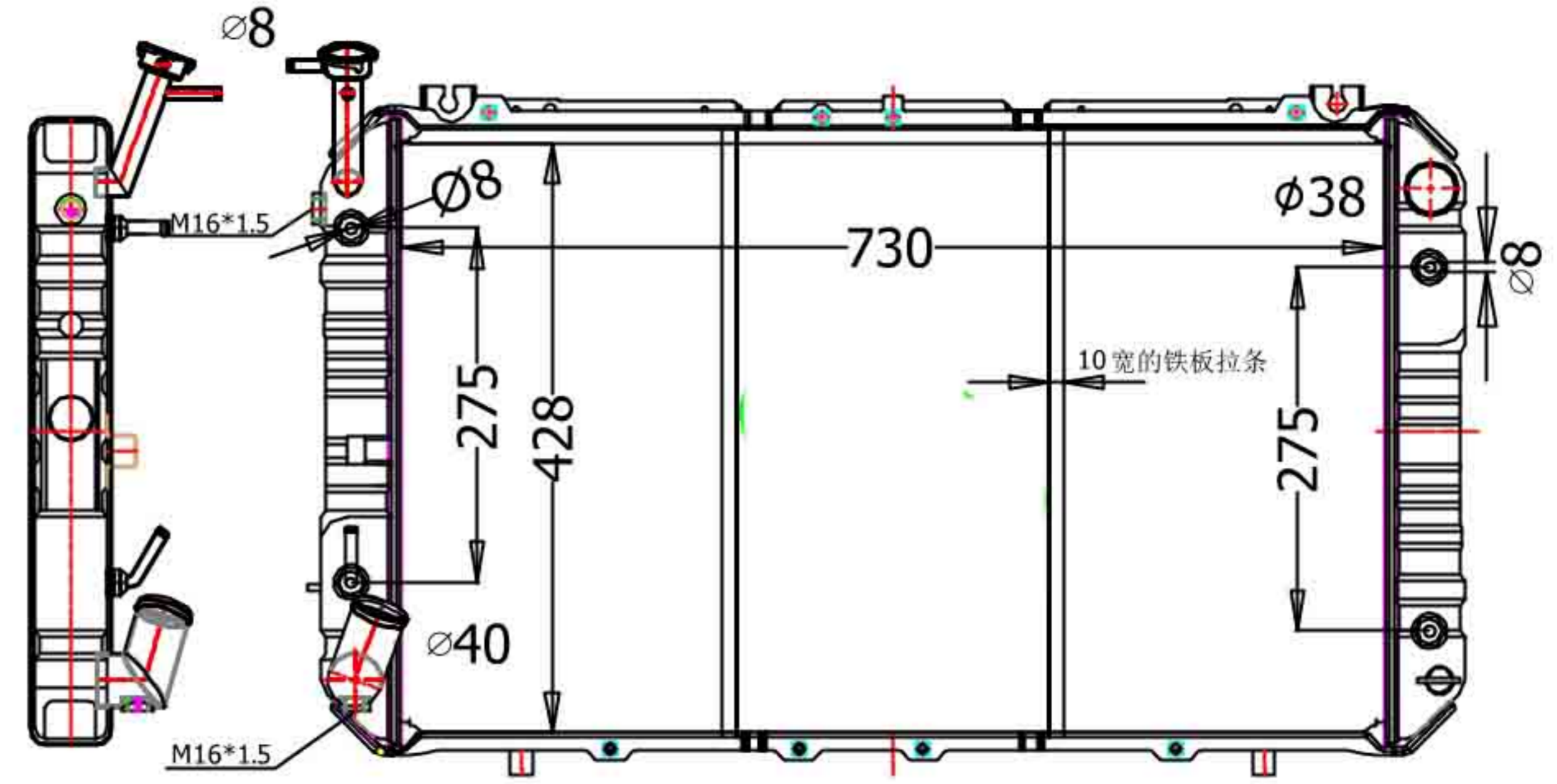
# NISSAN

## NI-15025



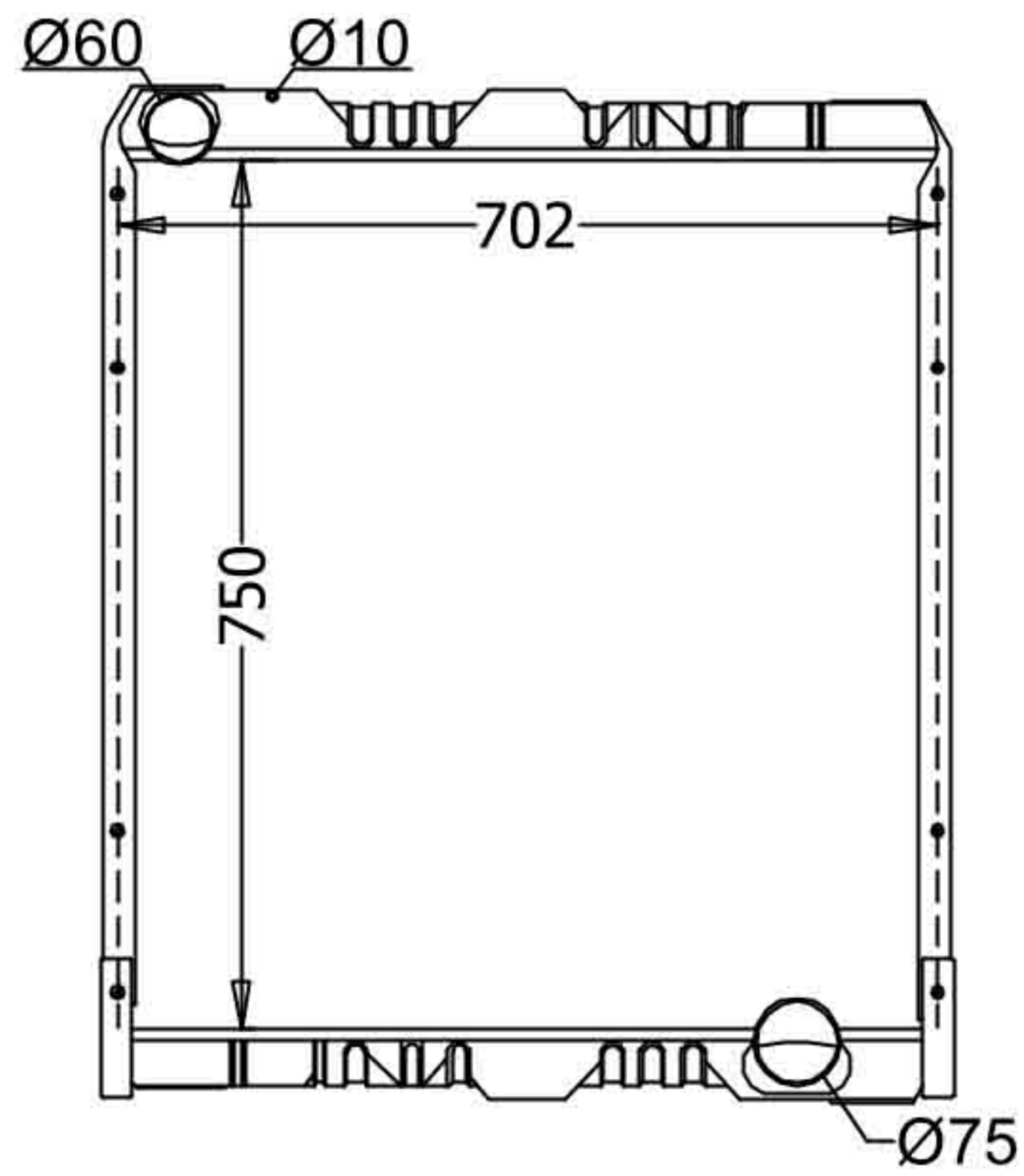
CARTYPE: SAFARI WYY61 97- AT  
 CORE SIZE: BC 450\*908\*26/32/36 TANK SIZE:51/57\*931  
 CARTON:  
 OEM: 21460-VB300/VB301  
 DPI: NISSENS:

## NI-15026



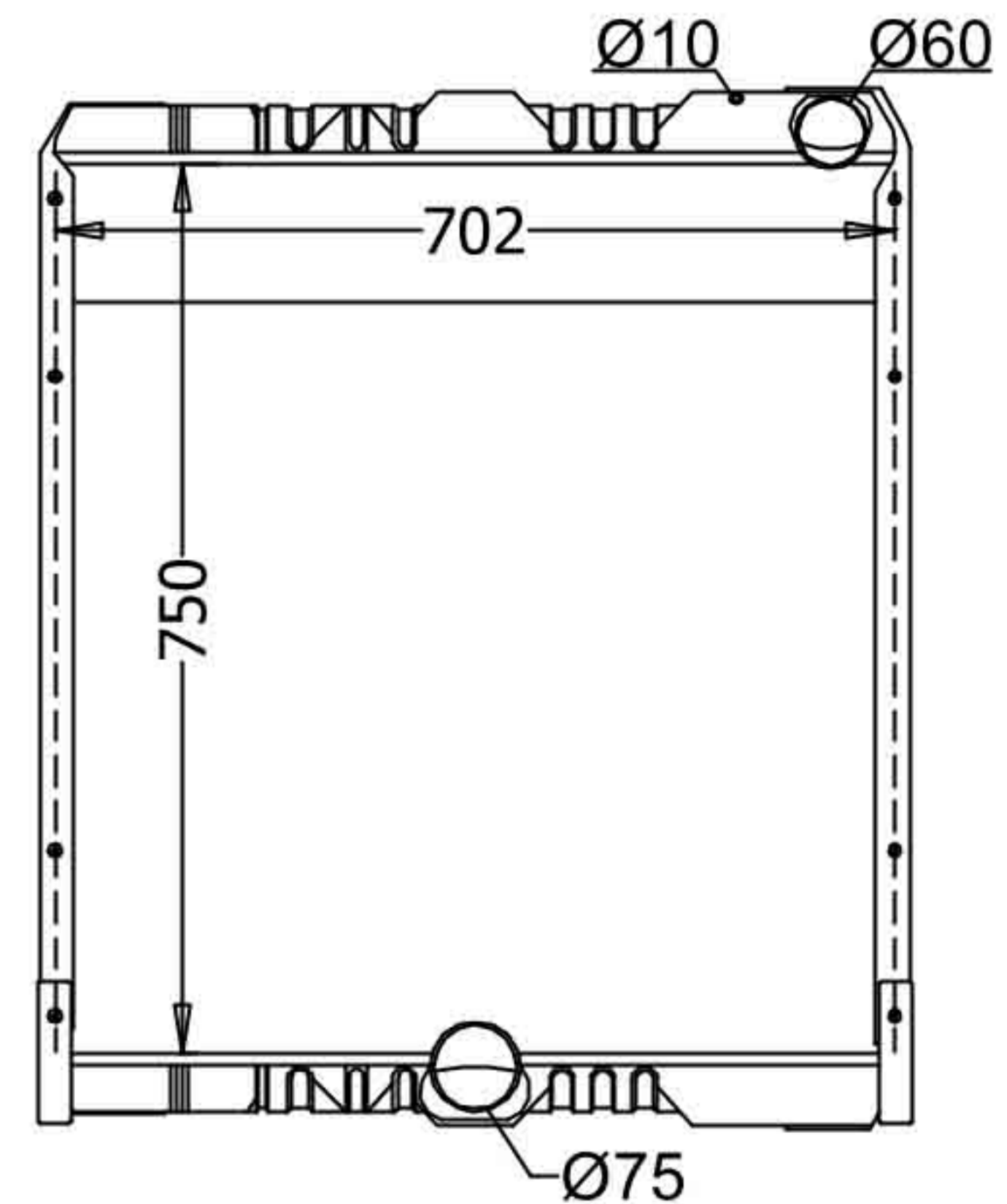
CARTYPE : NISSAN Y60 Turbo Diesel ATM  
 CORE SIZE : BC :730X428 ×48 TANK SIZE :51.5\*470  
 CORE SIZE :  
 OEM :  
 DPI :

## NI-15027



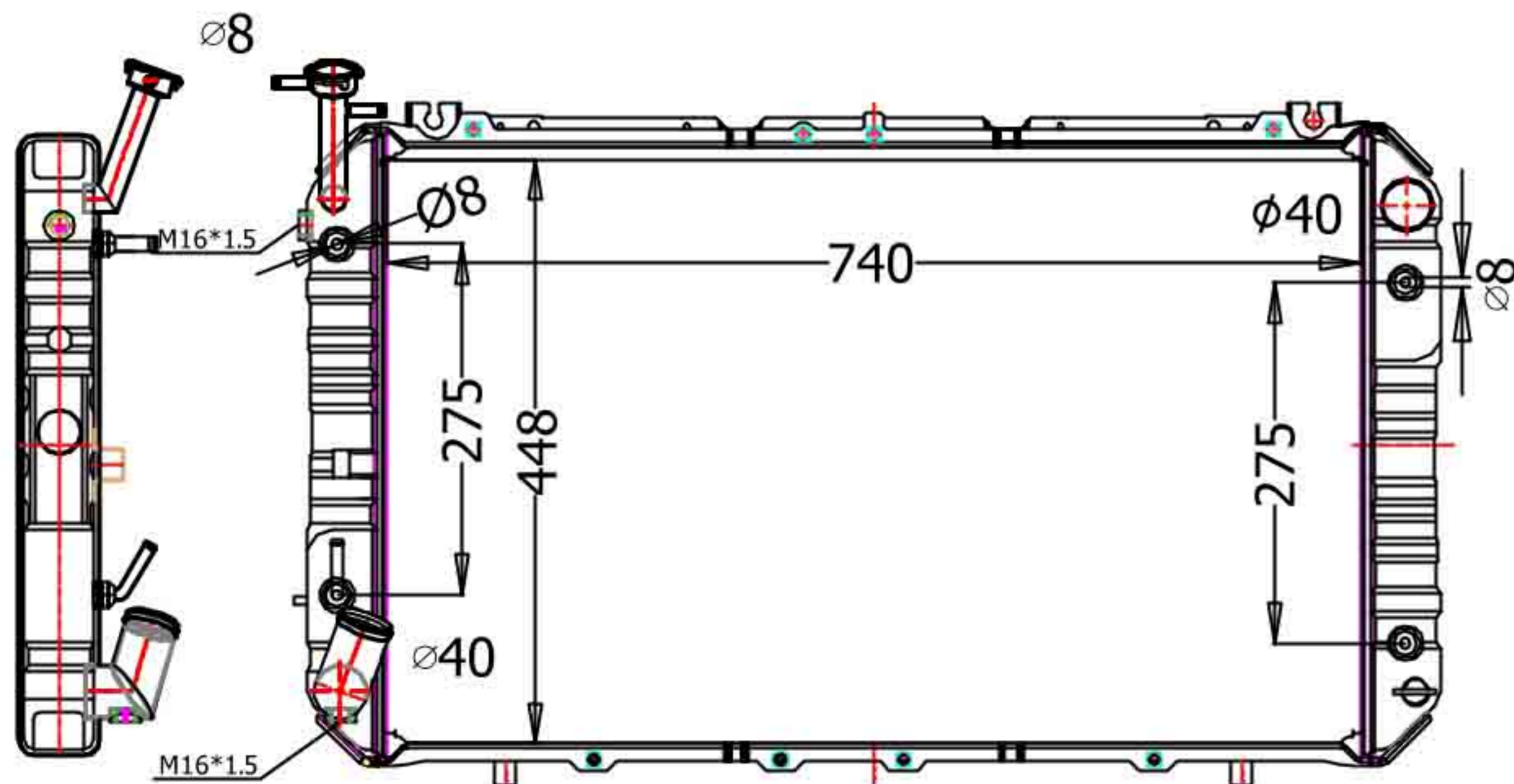
CARTYPE : INFINITI UD CW610 1990-  
 CORE SIZE : BC: 750\*702\*49 TANK SIZE: 712\*63  
 CARTON:  
 OEM:  
 DPI: KOYO: BA22036

## NI-15028



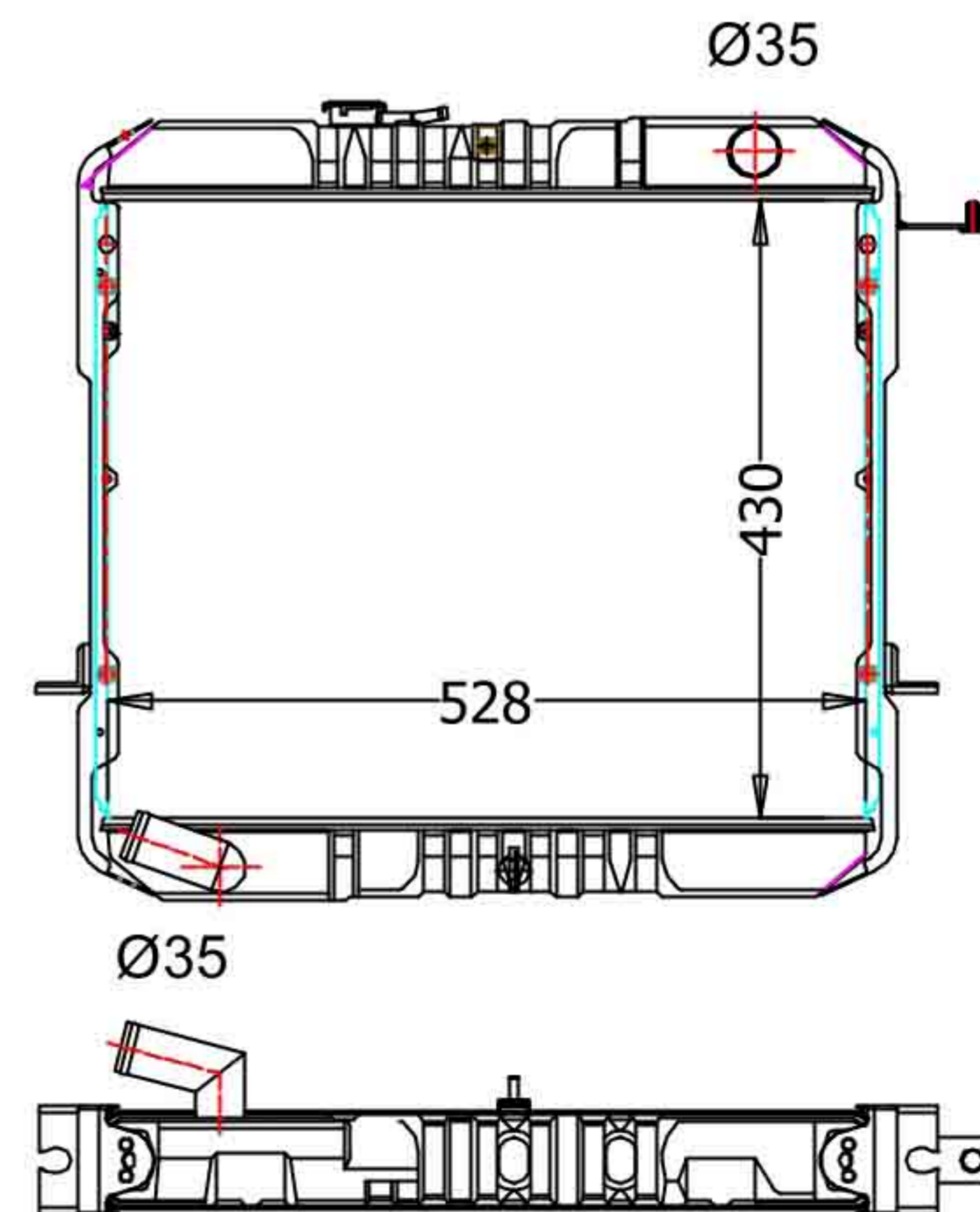
CARTYPE : INFINITI UD  
 CORE SIZE : BC: 750\*702\*49 TANK SIZE: 712\*63  
 CARTON:  
 OEM:  
 DPI: KOYO: 卡巴斯卡皮卡 (铝塑NI-0170)

## NI-15029



CARTYPE : NISSAN Y60 Turbo Diesel ATM  
 CORE SIZE : BC :740\*448 \*48 TANK SIZE :51.5\*470  
 CORE SIZE :  
 OEM :  
 DPI :

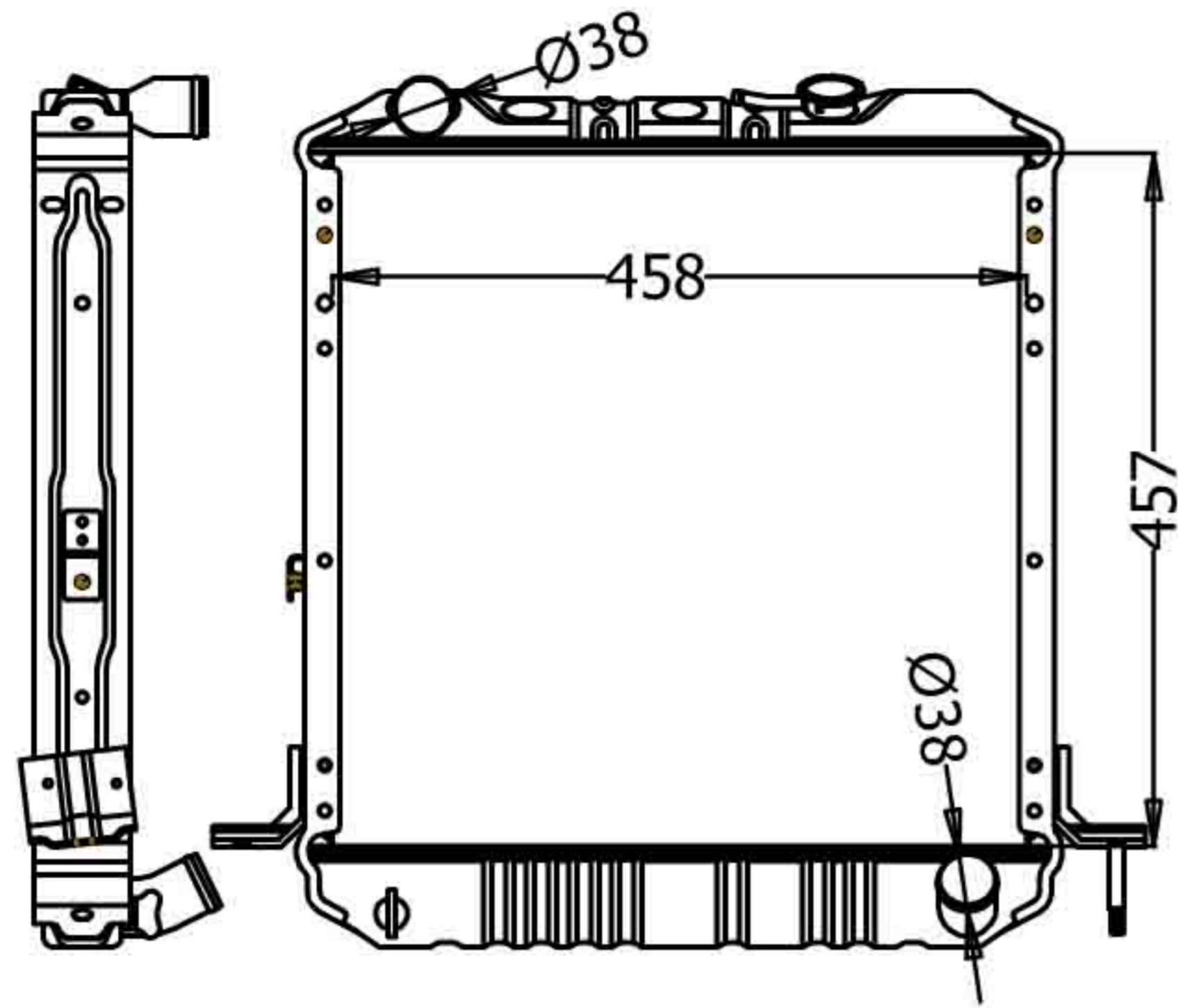
## NI-15030



CARTYPE : MTM  
 CORE SIZE : AL : 430\*528\*49 TANK SIZE : 535\*65  
 CORE SIZE :  
 OEM :  
 DPI :

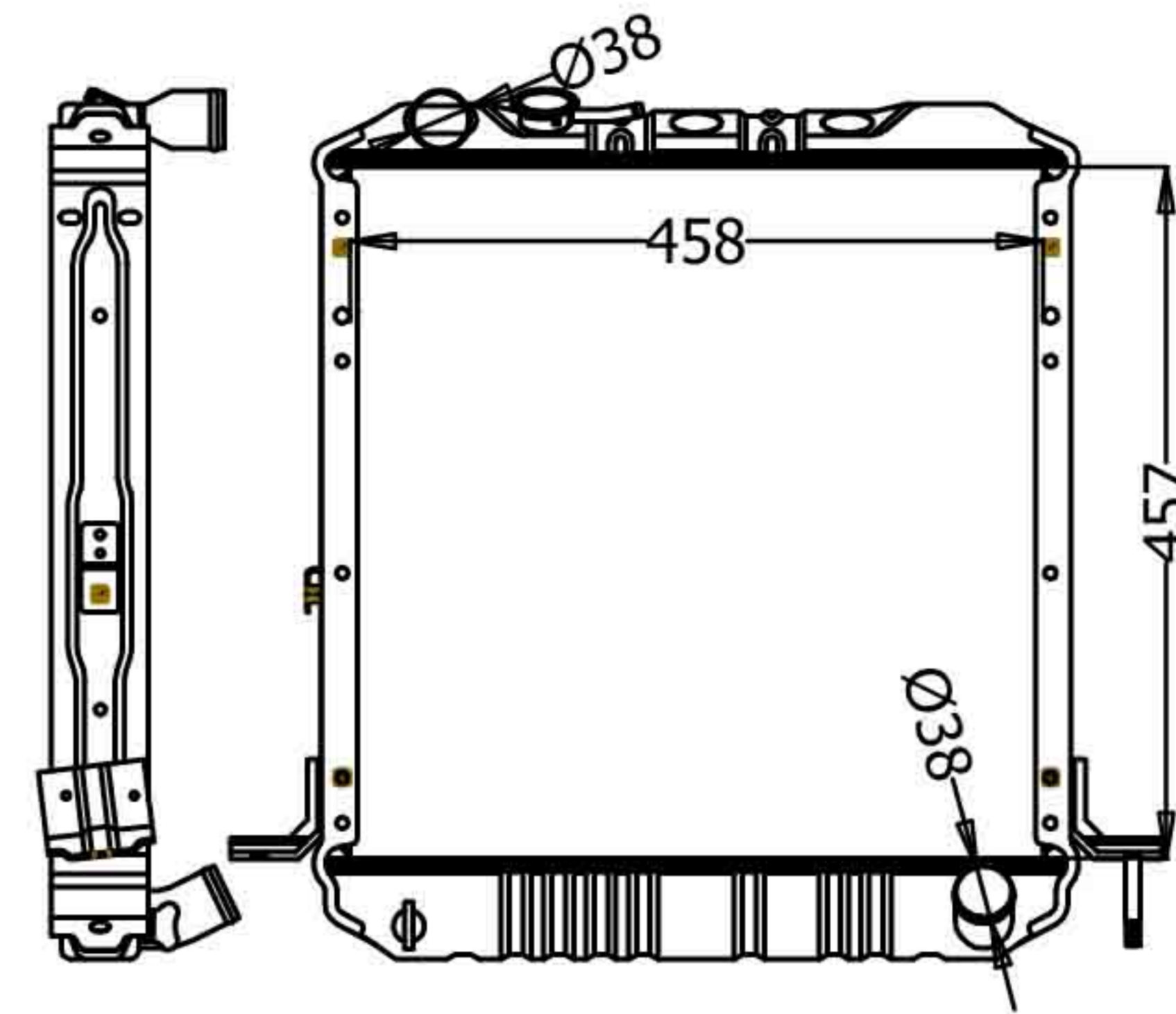
# ISUZU

## IS-13001



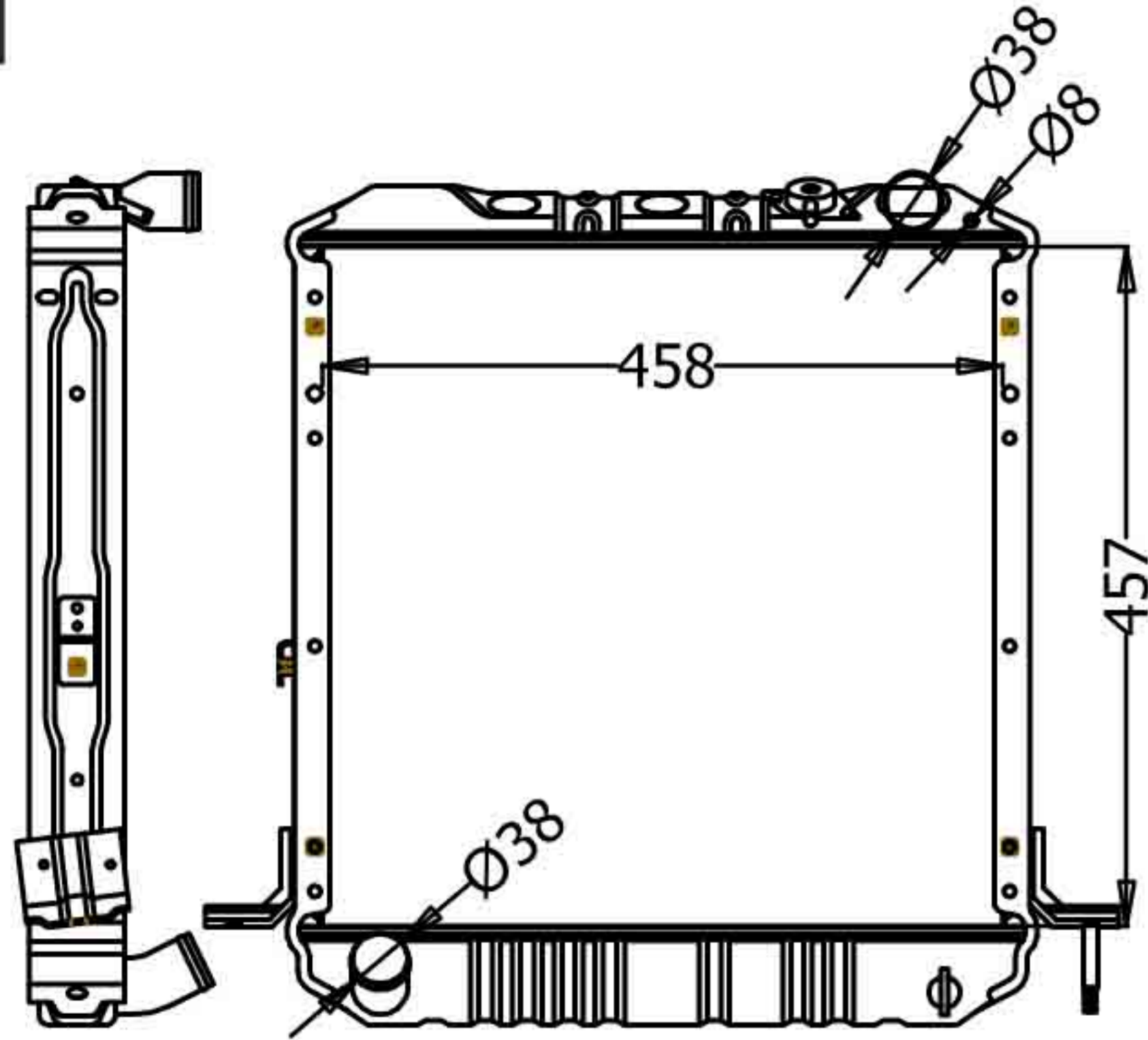
CARTYPE: NHR694JG2(天皇五十铃) MT  
 CORE SIZE: BC 457x458x32 TANK SIZE: 490\*60  
 CARTON: 635\*615\*150  
 OEM: 8-972402840  
 DPI:

## IS-13002



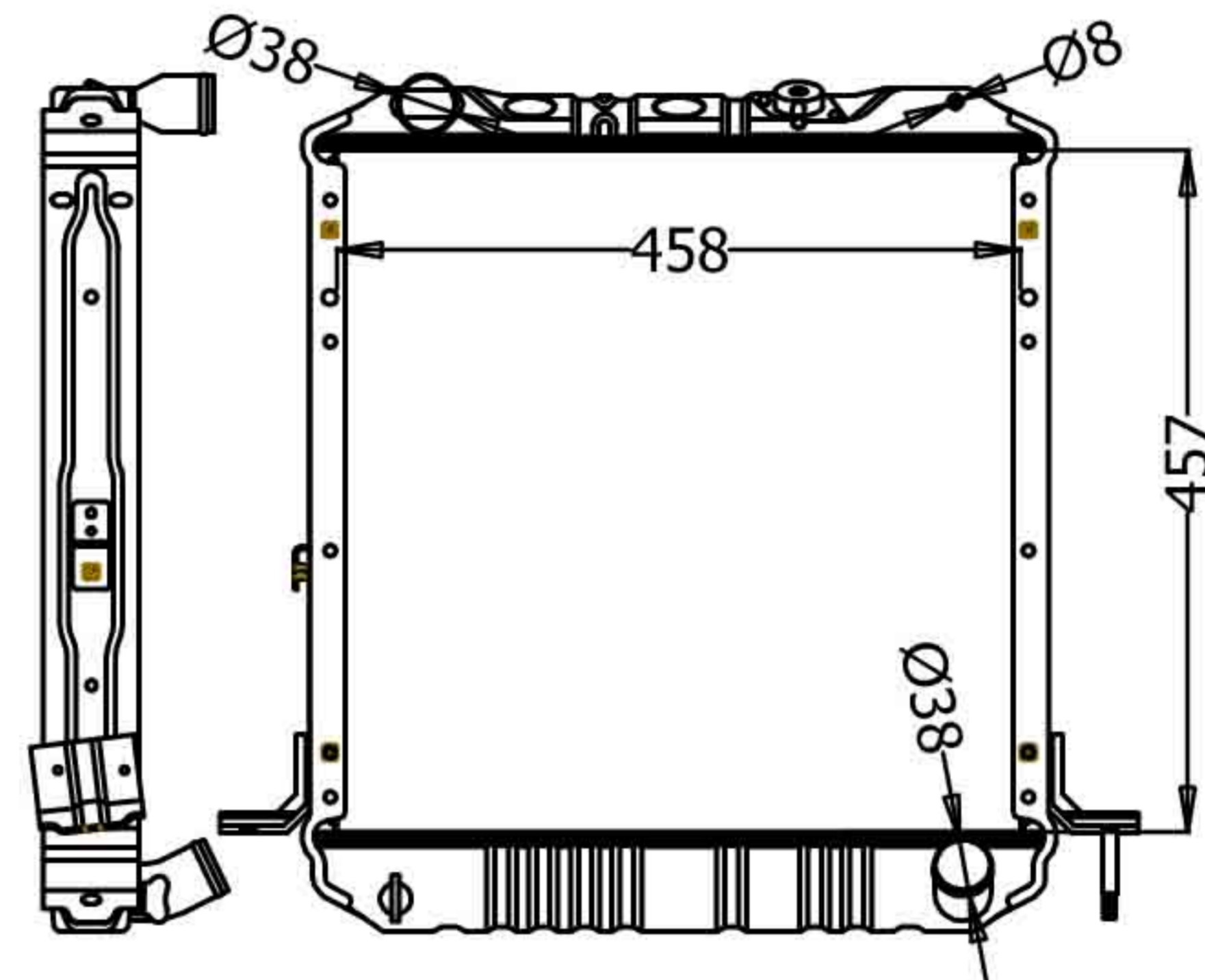
CARTYPE: ISUZU(天皇2.8) MT  
 CORE SIZE: BC 457x458x49 TANK SIZE: 490\*60  
 CARTON: 635\*615\*150  
 OEM:  
 DPI:

## IS-13003



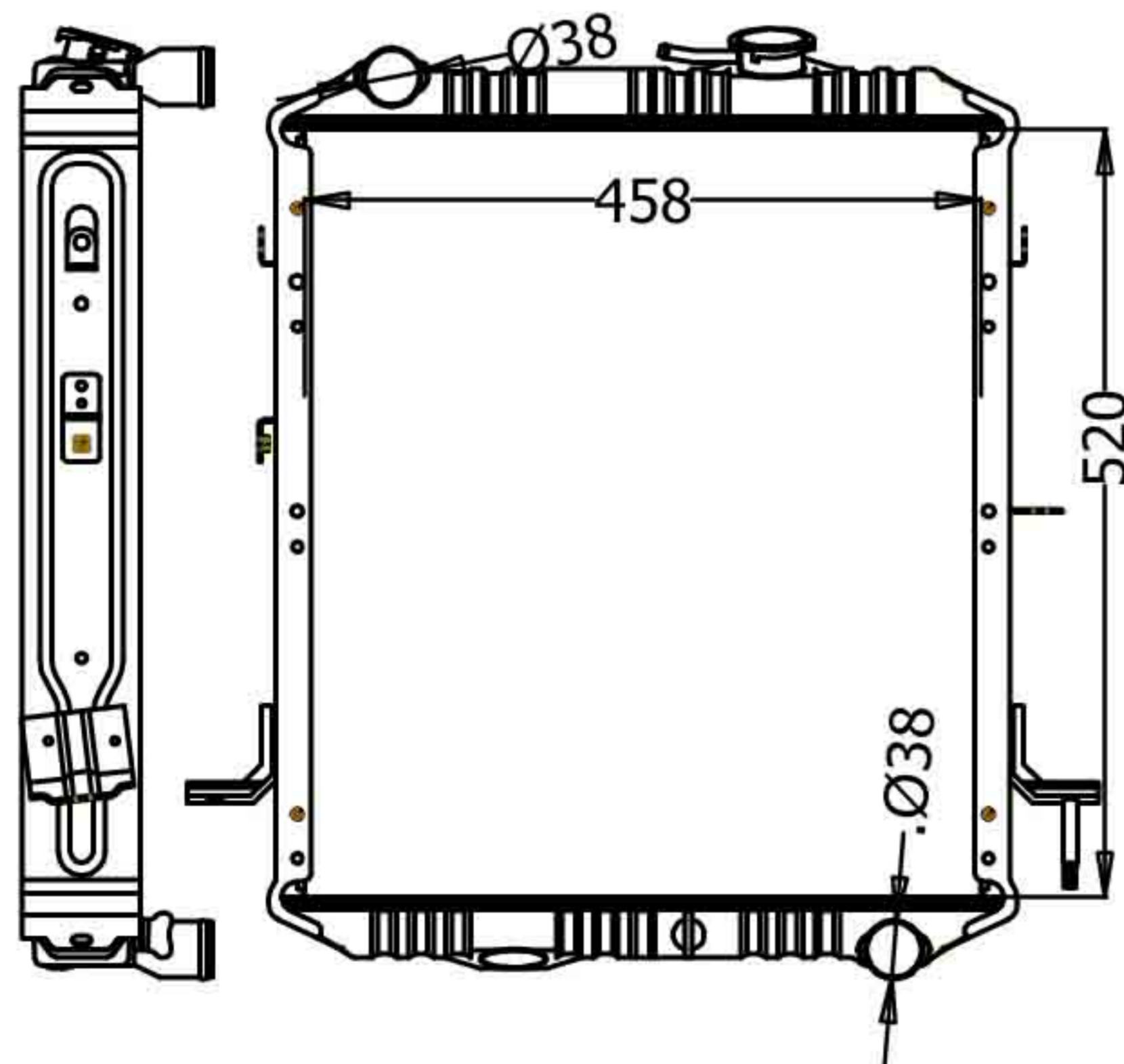
CARTYPE: ISUZU(天皇4.5出口版) MT  
 CORE SIZE: BC 457x458x32 TANK SIZE: 490\*60  
 CARTON: 635\*615\*150  
 OEM:  
 DPI:

## IS-13004



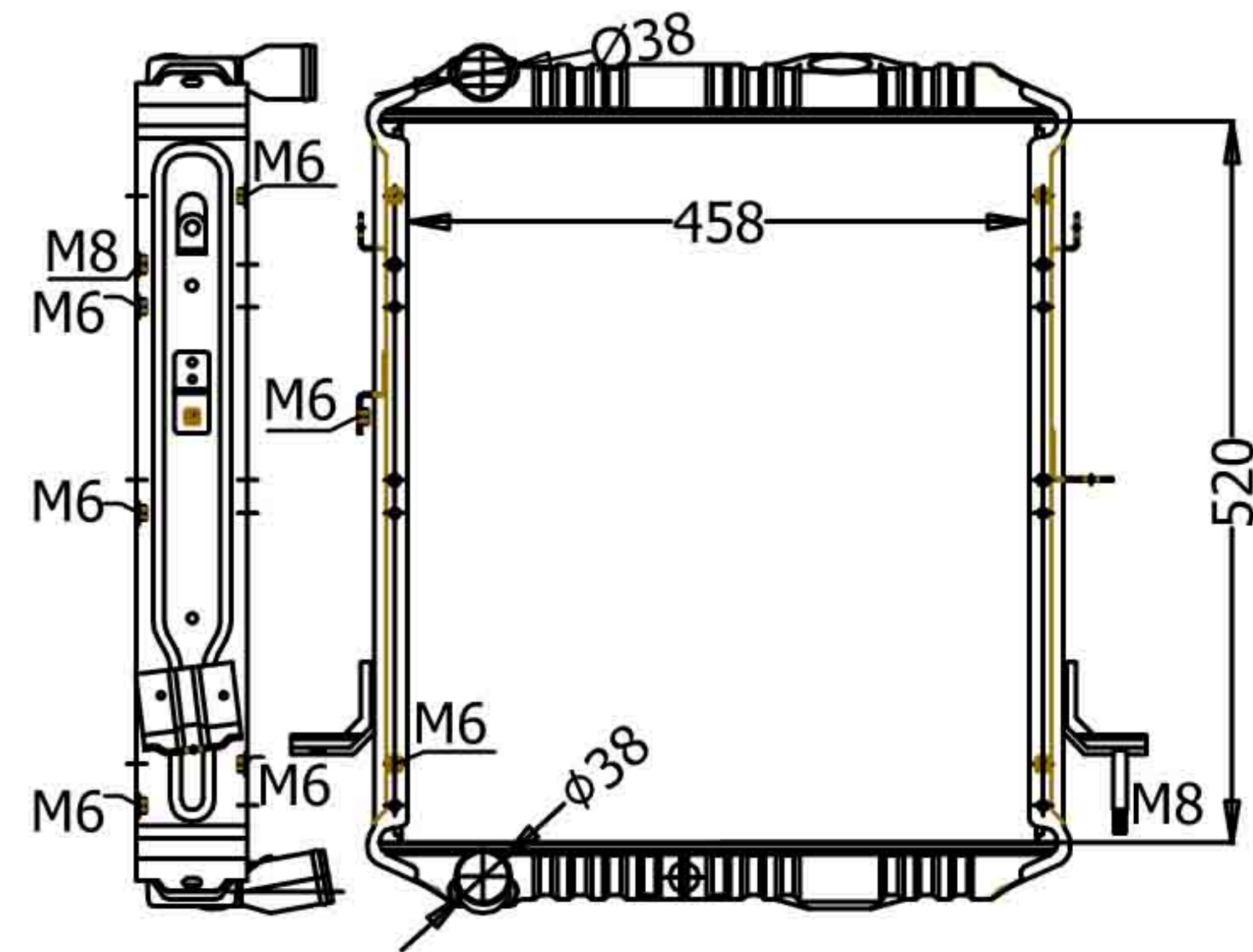
CARTYPE: ISUZU(天皇原装100P出口版) MT  
 CORE SIZE: BC 457x458x49 TANK SIZE: 490\*60  
 CARTON: 635\*615\*150  
 OEM:  
 DPI:

## IS-13005



CARTYPE: HHG'4HF1(庆龄) MT  
 CORE SIZE: BC 520x458x32 TANK SIZE: 490\*72  
 CARTON: 655\*655\*155  
 OEM:  
 DPI:

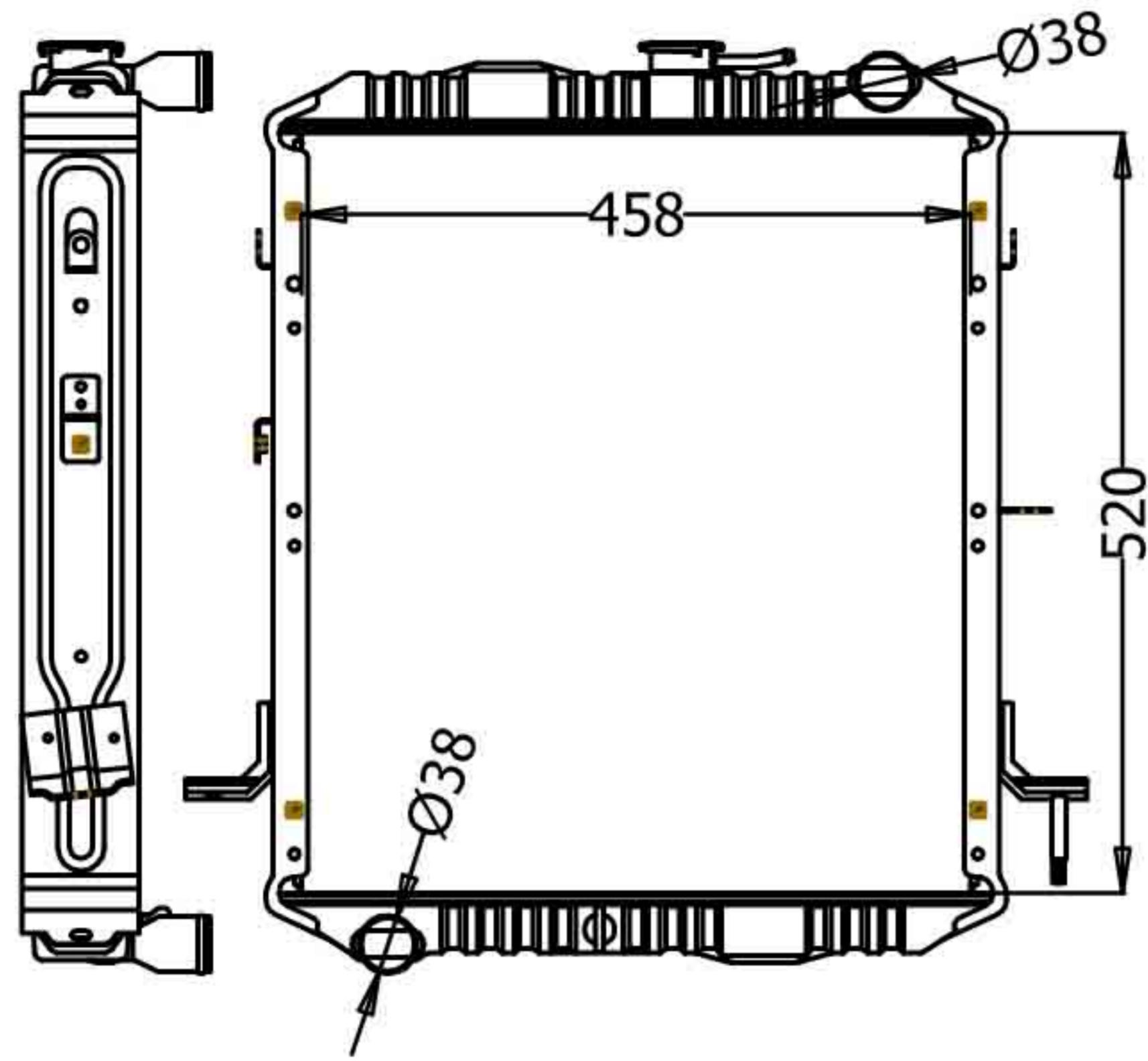
## IS-13006



CARTYPE: ISUZU(原装五十铃) MT  
 CORE SIZE: BC 520\*458\*32/49 TANK SIZE: 490\*72  
 CARTON: 655\*655\*150  
 OEM:  
 DPI:

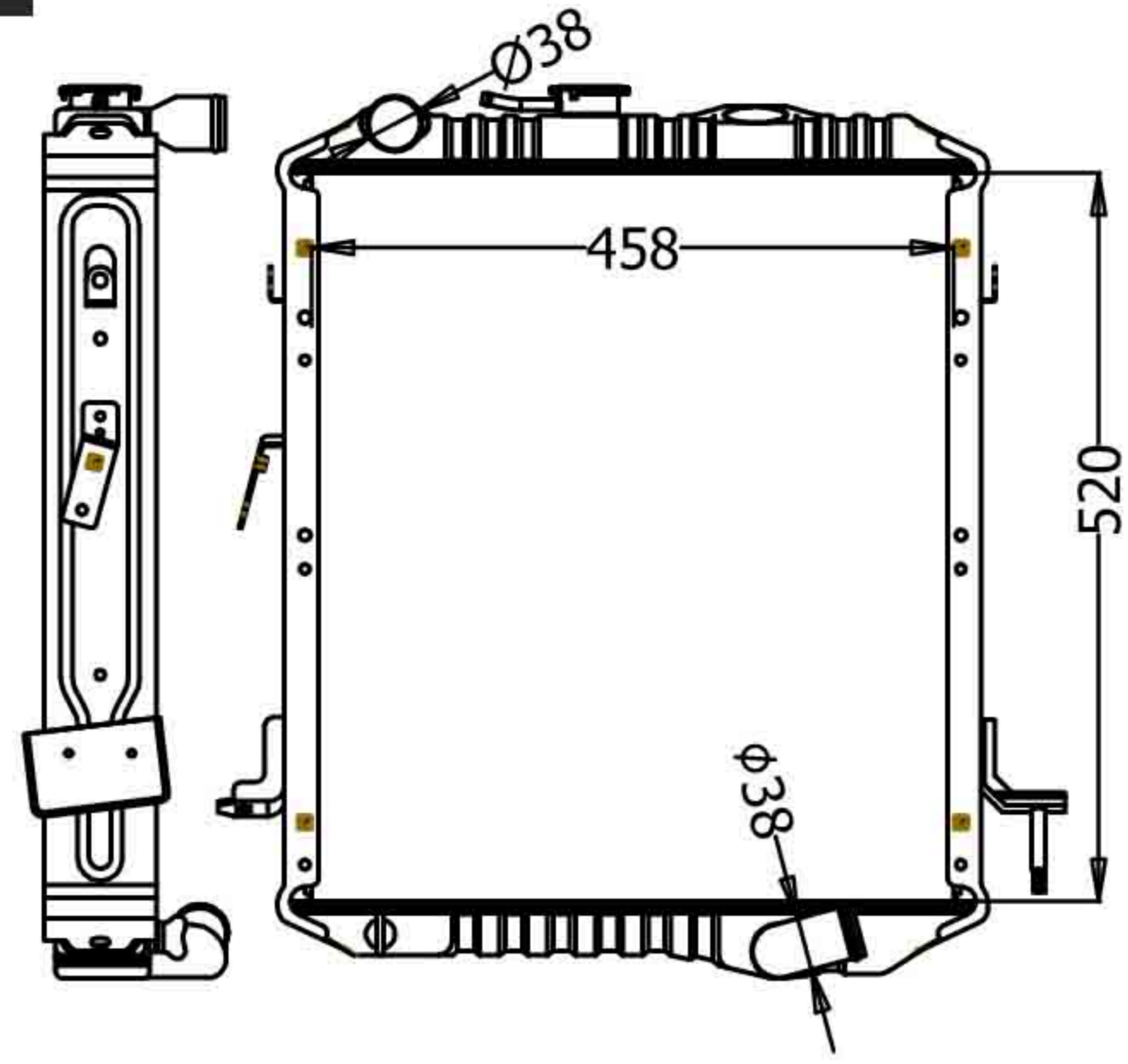
# ISUZU

**IS-13007**



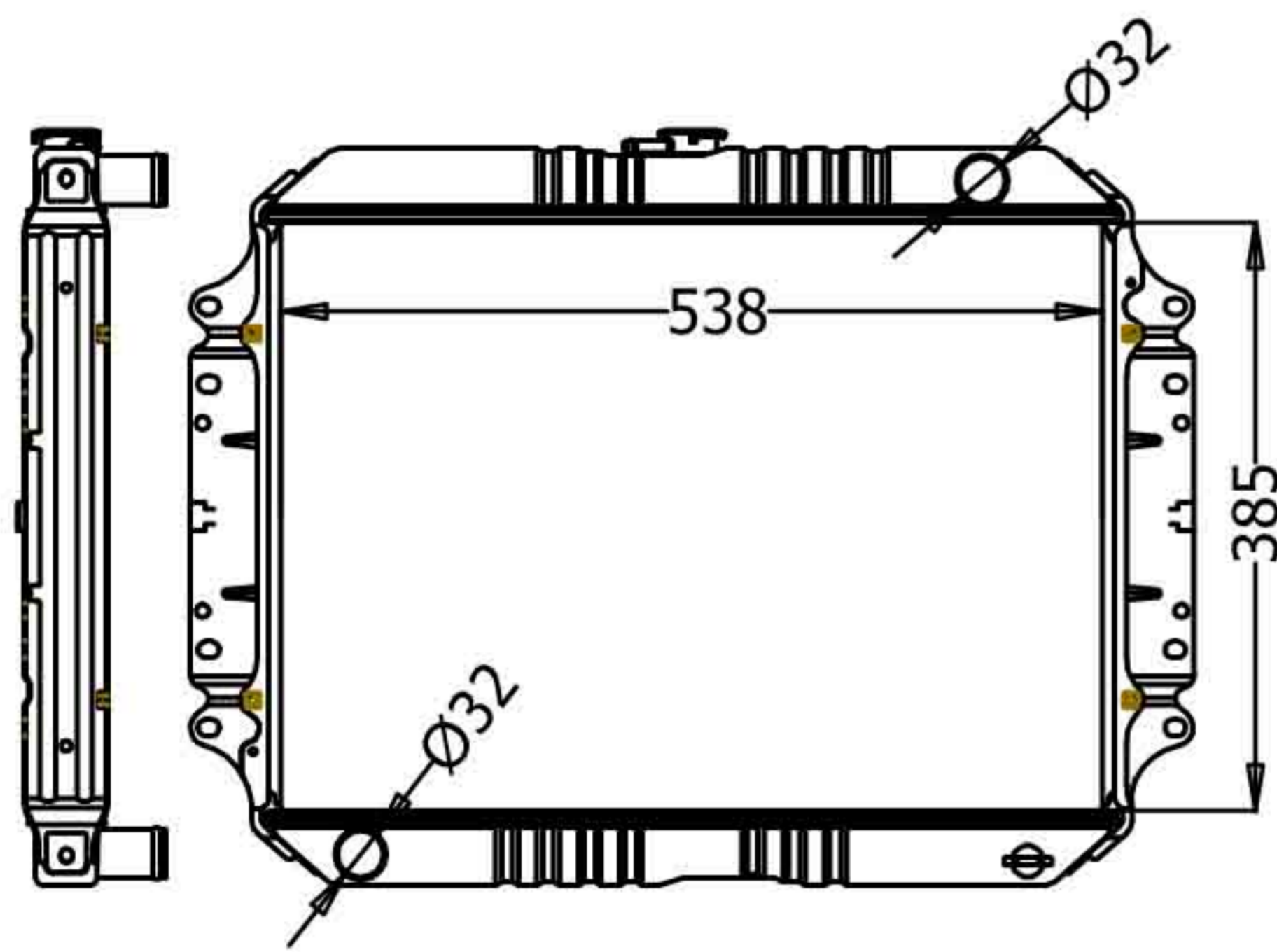
CARTYPE: ISUZU (羊城中巴) MT  
 CORE SIZE: BC 520x458x32 TANK SIZE: 490\*72  
 CARTON: 655\*655\*155  
 OEM:  
 DPI:

**IS-13008**



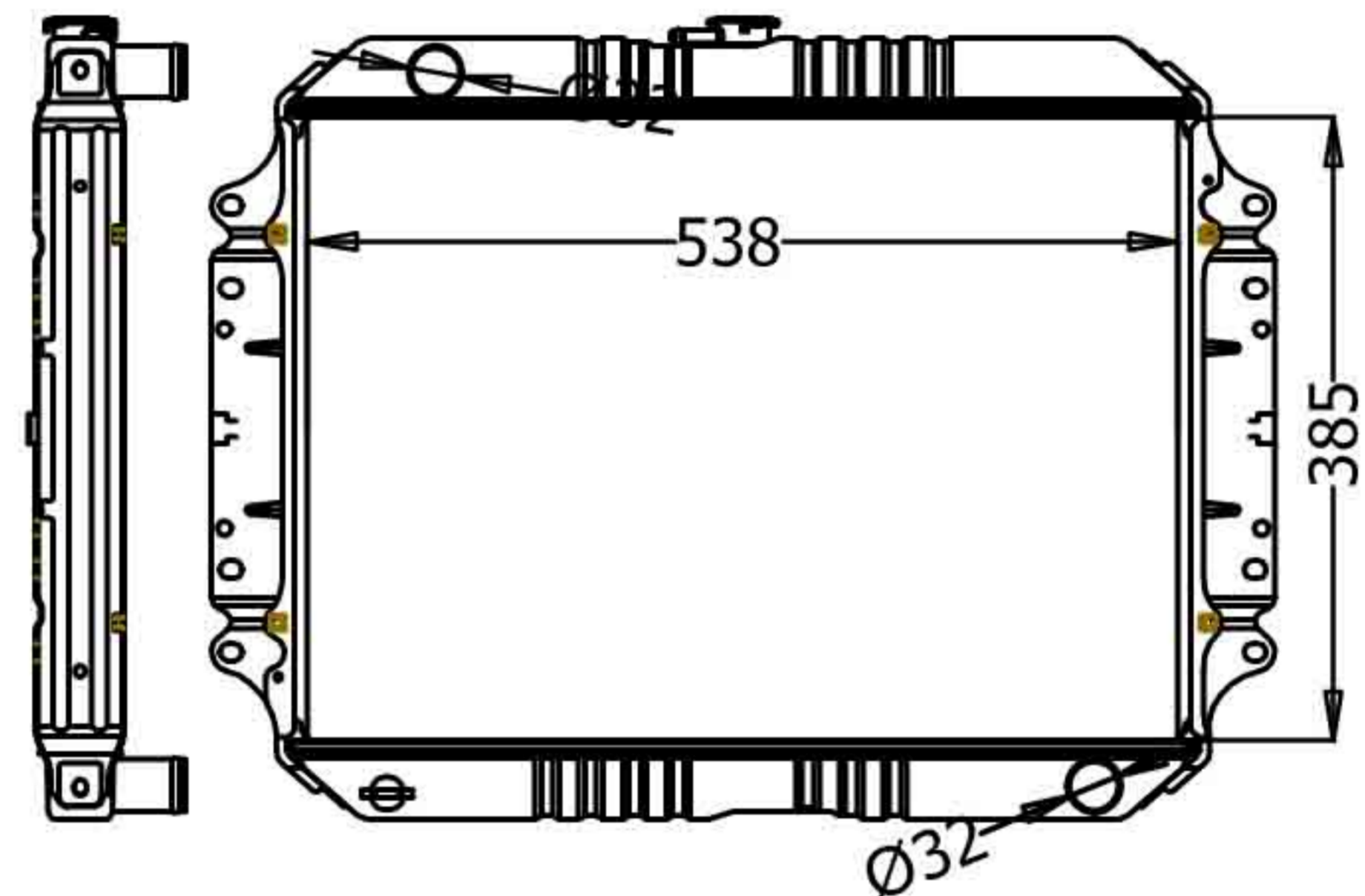
CARTYPE: ISUZU3.6 (新款五十铃3.6) MT  
 CORE SIZE: BC 520x458x49 TANK SIZE: 490\*72  
 CARTON: 655\*655\*155  
 OEM:  
 DPI:

**IS-13009**



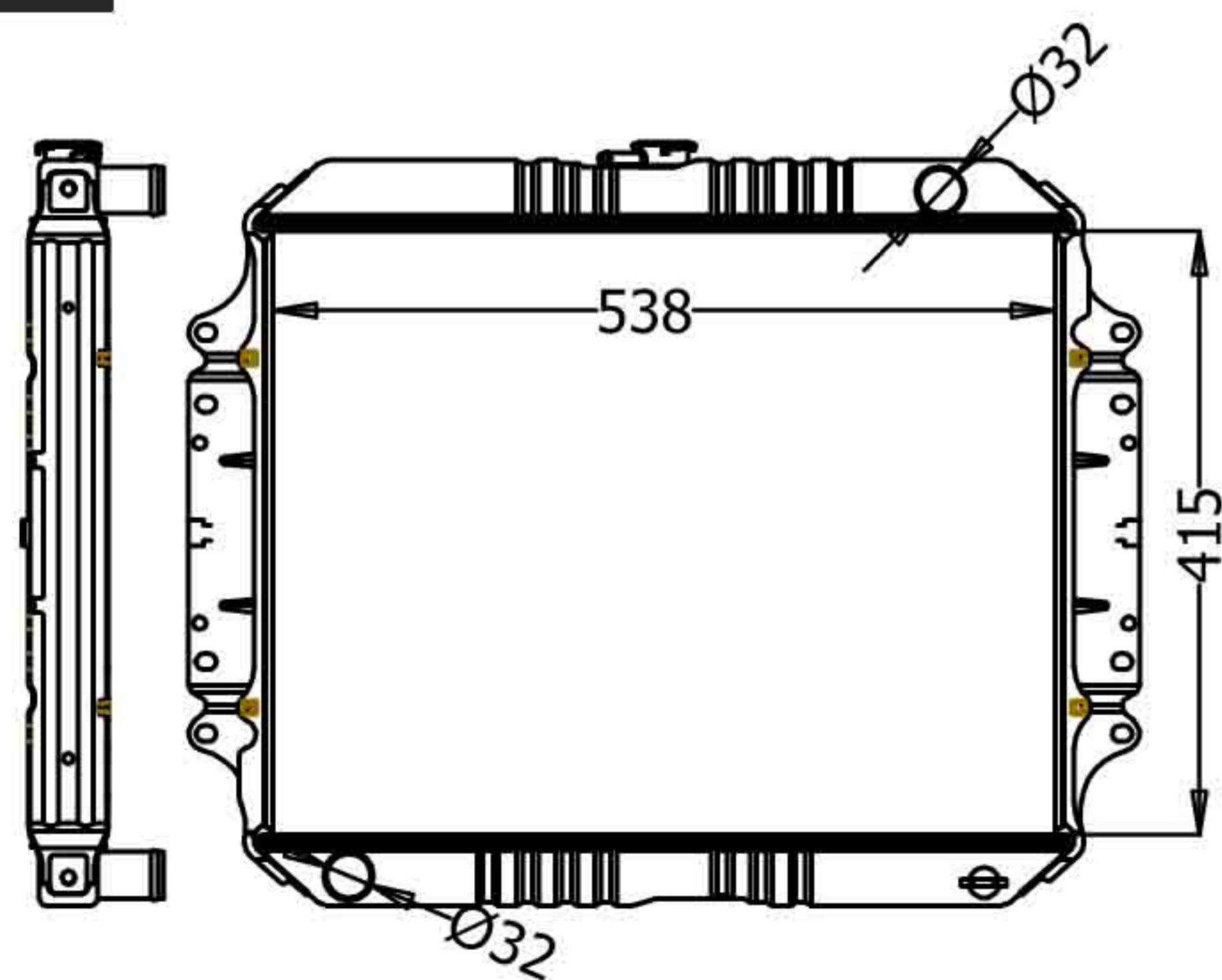
CARTYPE: ISUZU TFR (GAS) 汽油吉奥 MT  
 CORE SIZE: BC 385x538x16 TANK SIZE: 550\*48  
 CARTON: 675\*527\*110  
 OEM:  
 DPI:

**IS-13010**



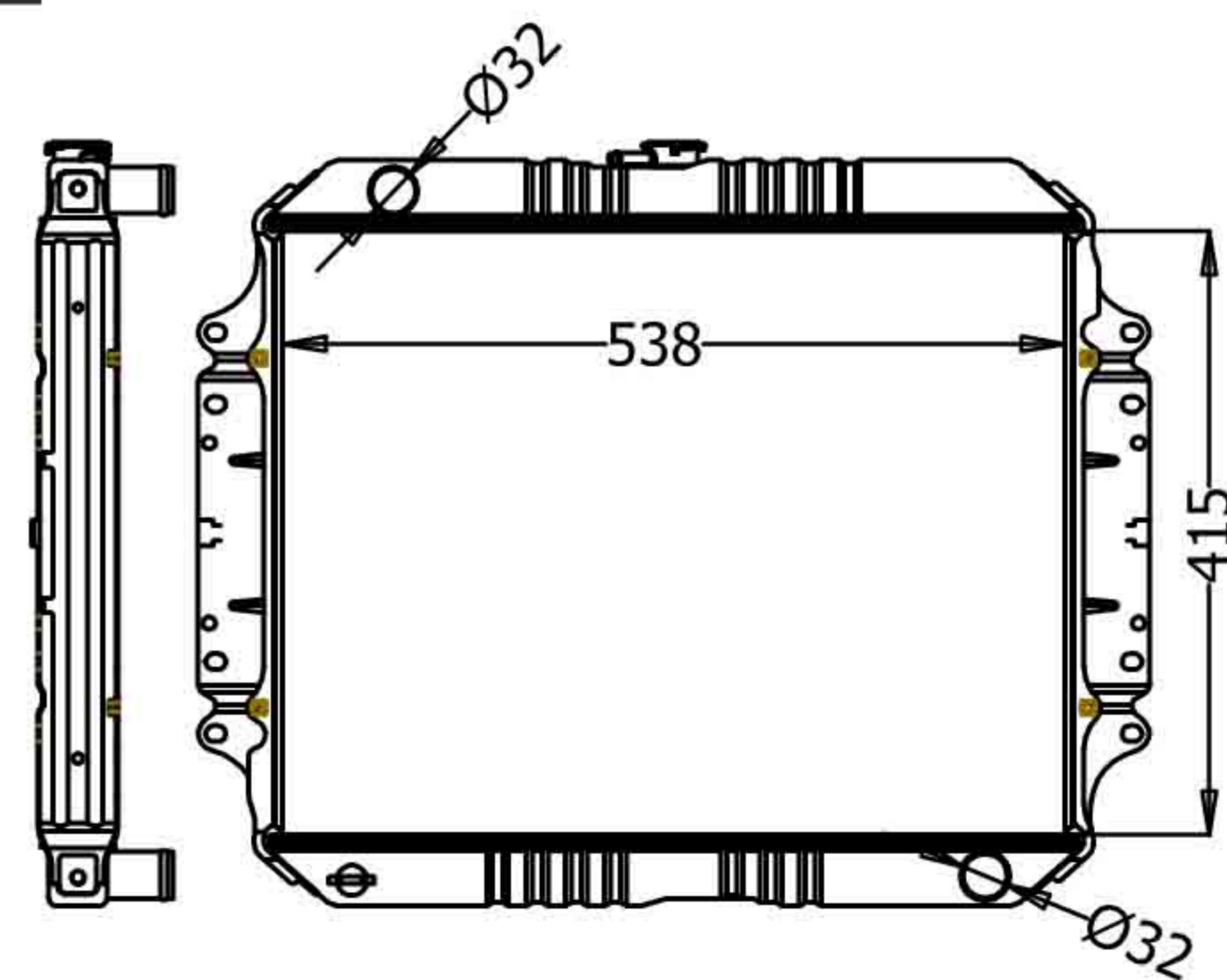
CARTYPE: ISUZU TFR (DIESEL) 柴油吉奥 MT  
 CORE SIZE: BC 385x538x16 TANK SIZE: 558\*48  
 CARTON: 675\*527\*110  
 OEM:  
 DPI:

**IS-13011**



CARTYPE: ISUZU TFR (GAS) 汽油富迪/陆风 MT  
 CORE SIZE: BC 415x538x16 TANK SIZE: 555\*48  
 CARTON: 675\*557\*110  
 OEM:  
 DPI:

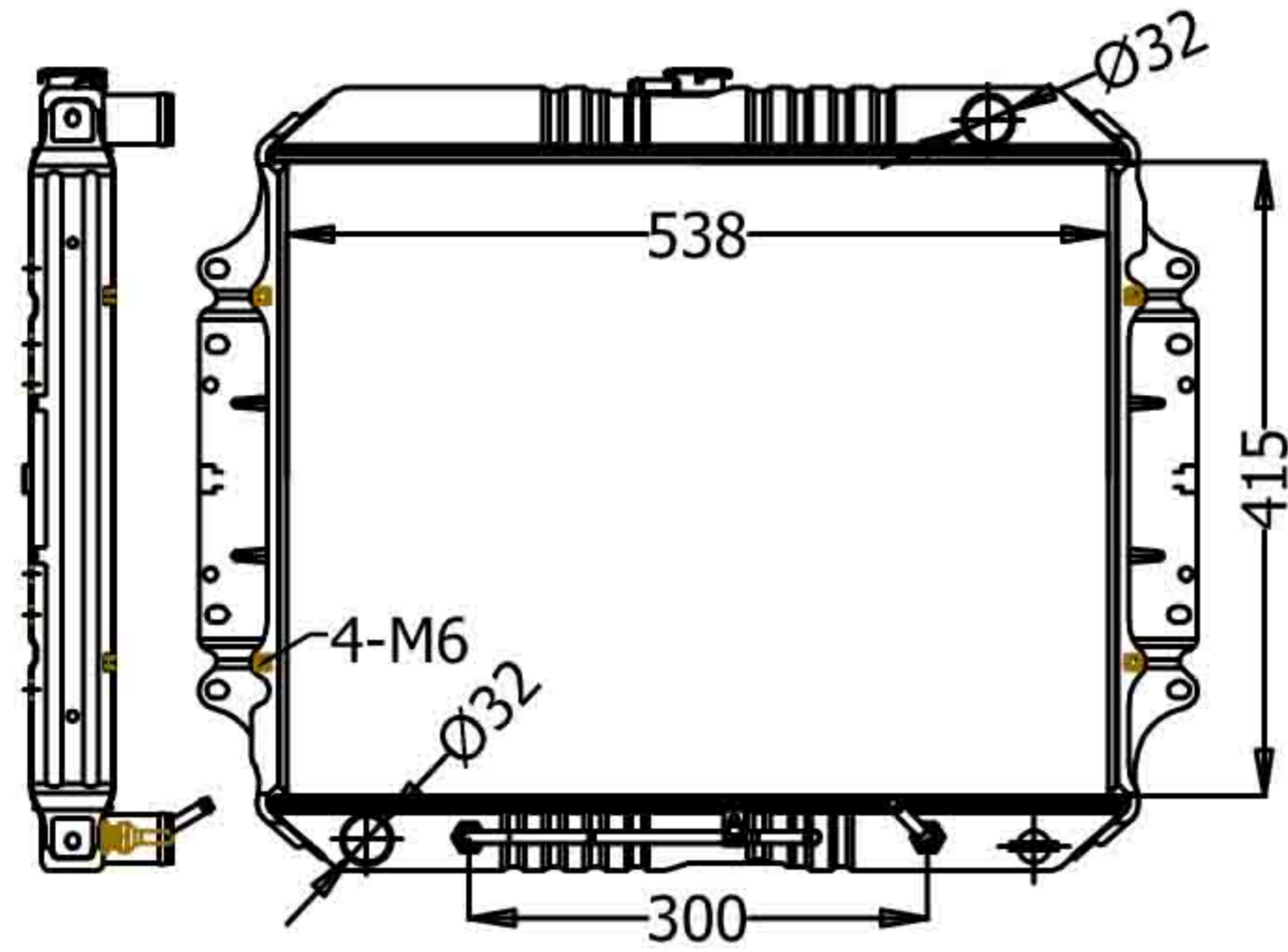
**IS-13012**



CARTYPE: ISUZU TFR (GAS) 柴油陆风/陆风 MT  
 CORE SIZE: BC 415x538x16 TANK SIZE: 555\*48  
 CARTON: 675\*557\*110  
 OEM:  
 DPI:

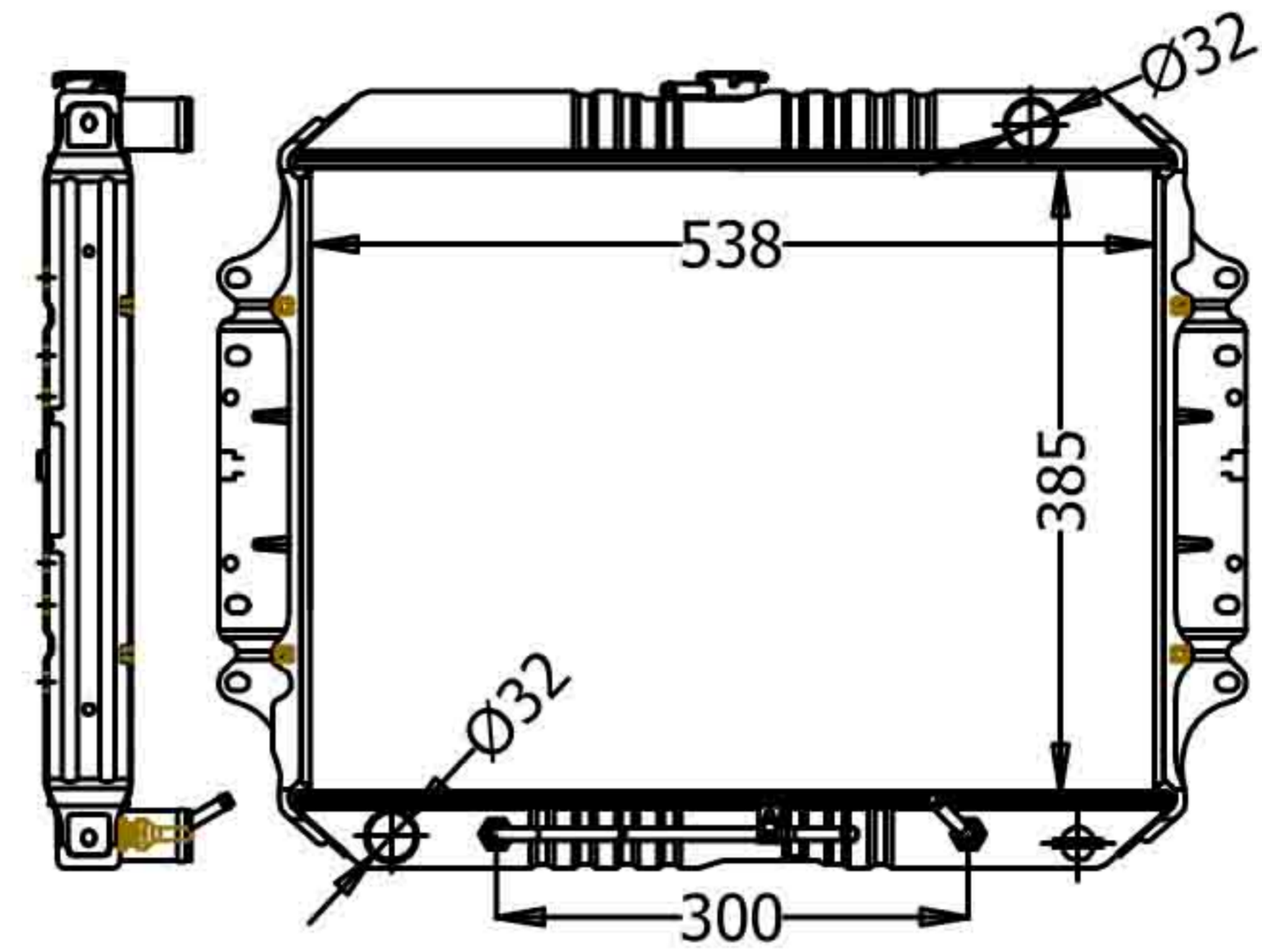
# ISUZU

## IS-13013



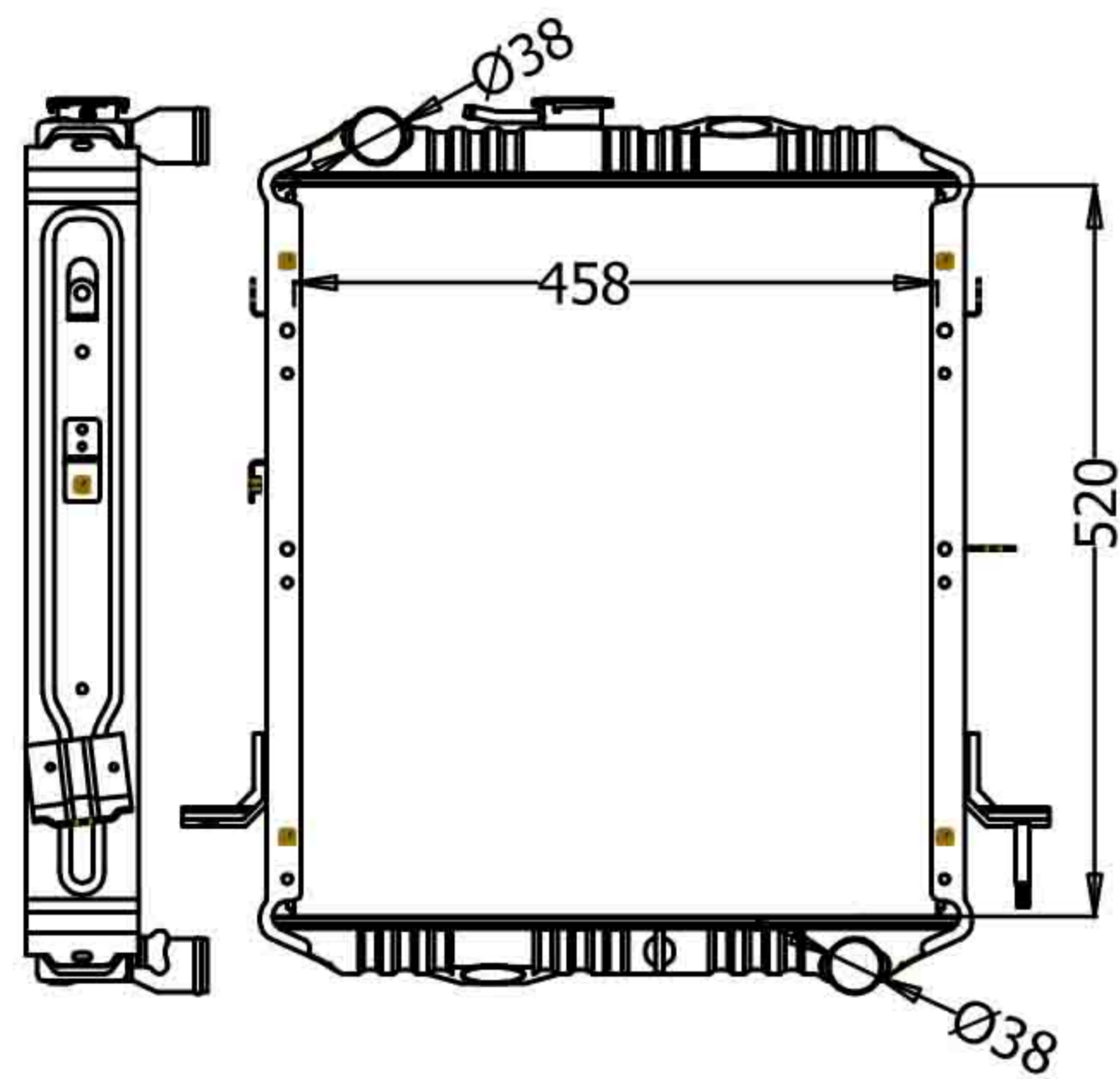
CARTYPE: ISUZU TFR (GAS) 汽油富迪 AT  
 CORE SIZE: BC 415\*538\*32/16 TANK SIZE: 555\*48  
 CARTON: 675\*557\*110  
 OEM:  
 DPI:

## IS-13014



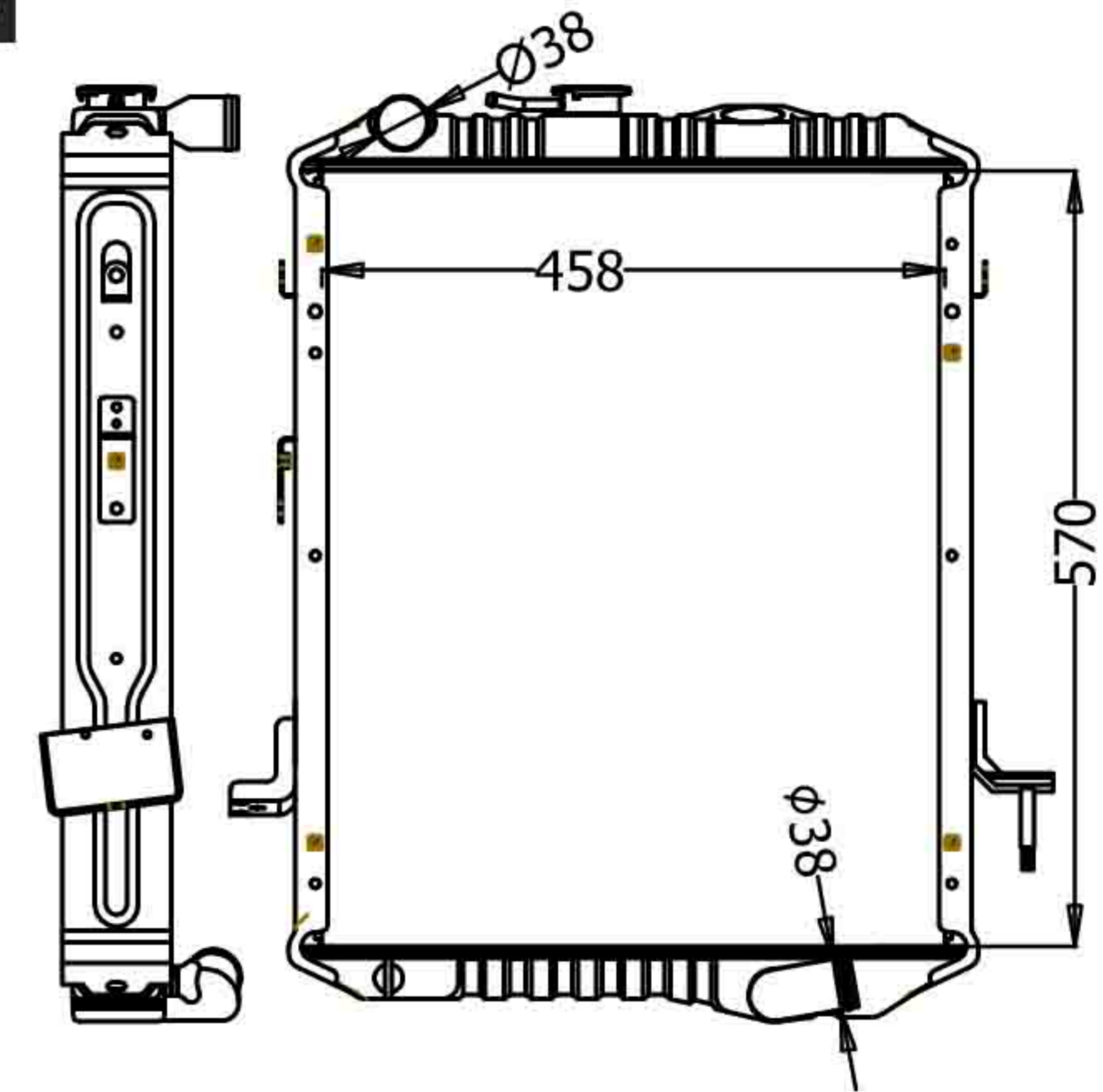
CARTYPE: ISUZU TFR (GAS) 汽油吉奥 AT  
 CORE SIZE: BC 385\*538\*16 TANK SIZE: 555\*48  
 CARTON: 675\*557\*110  
 OEM:  
 DPI:

## IS-13015



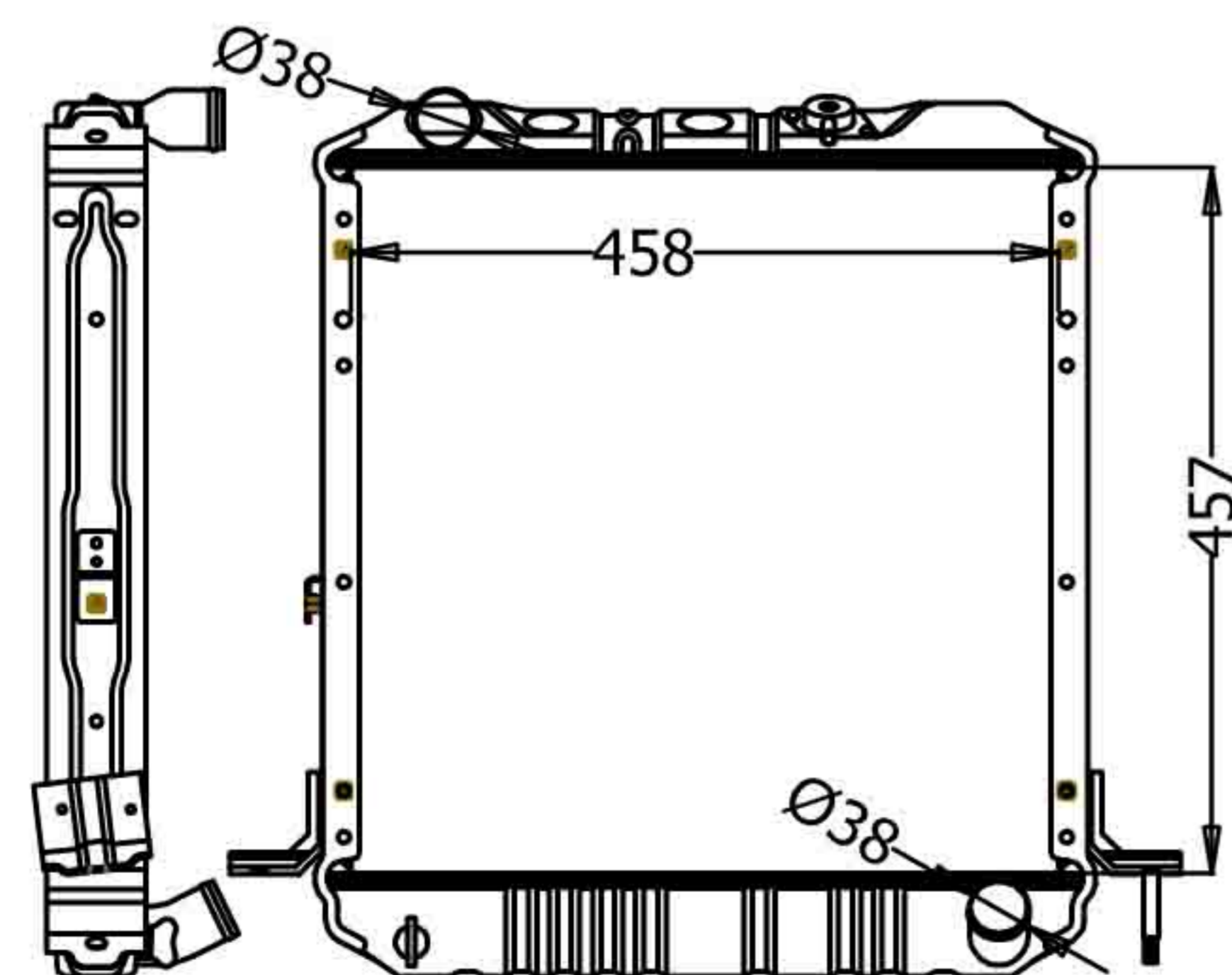
CARTYPE: 1050 MT  
 CORE SIZE: BC 520x458x49 TANK SIZE: 490\*72  
 CARTON:  
 OEM:  
 DPI:

## IS-13016



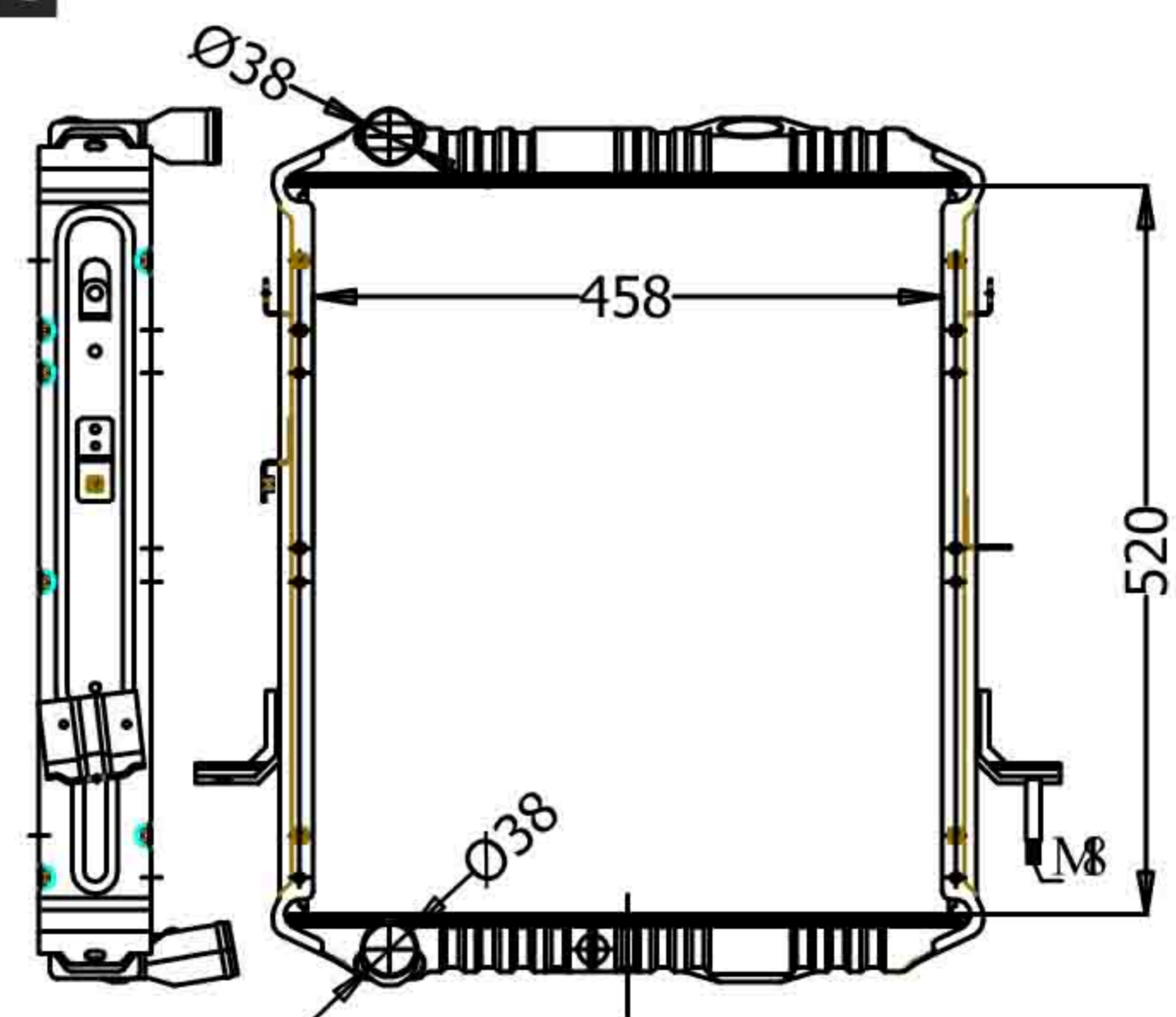
CARTYPE: ISUZU3.6(旧款五十铃3.6) MT  
 CORE SIZE: BC 570x458x49 TANK SIZE: 490\*72  
 CARTON:  
 OEM:  
 DPI:

## IS-13017



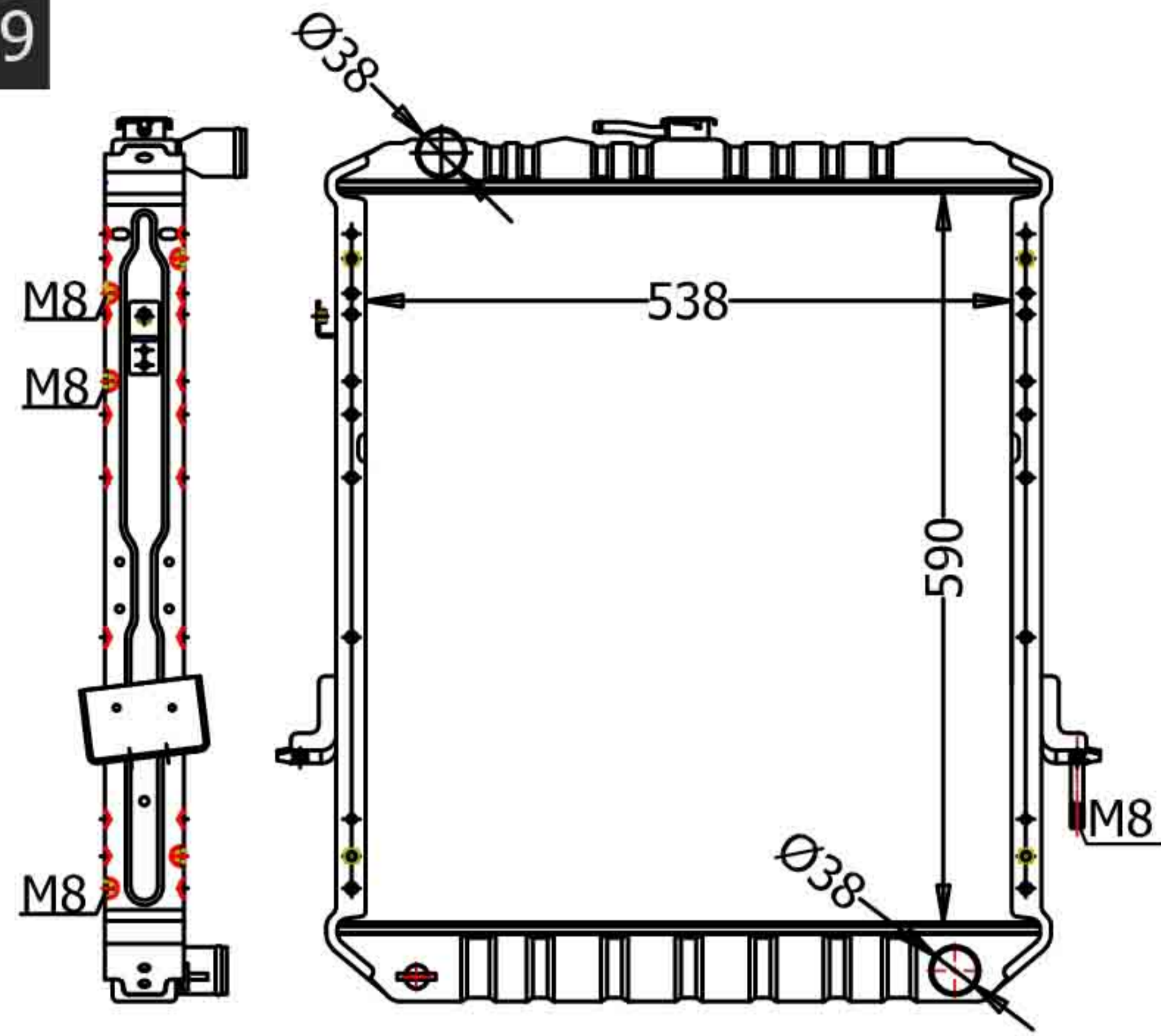
CARTYPE: 100P ISUZU (100P五十铃国内版)  
 CORE SIZE: BC 457x458x49 TANK SIZE: 490\*60  
 CARTON: 635\*615\*150  
 OEM:  
 DPI:

## IS-13018



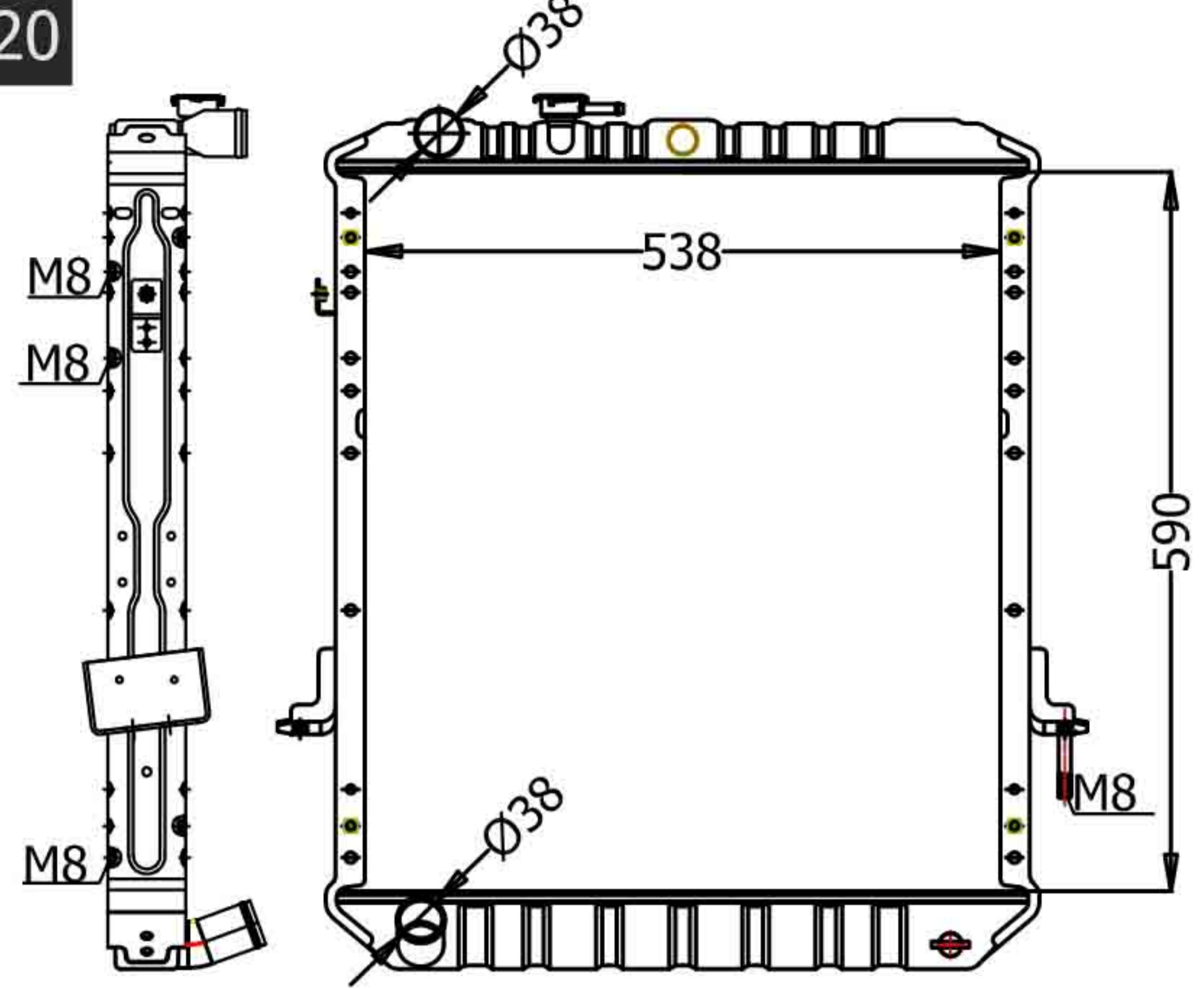
CARTYPE: ISUZU (100P五十铃国内版) MT  
 CORE SIZE: 520\*458\*32 TANK SIZE: 490\*72  
 CARTON: 655\*655\*155  
 OEM:  
 DPI:

**IS-13019**



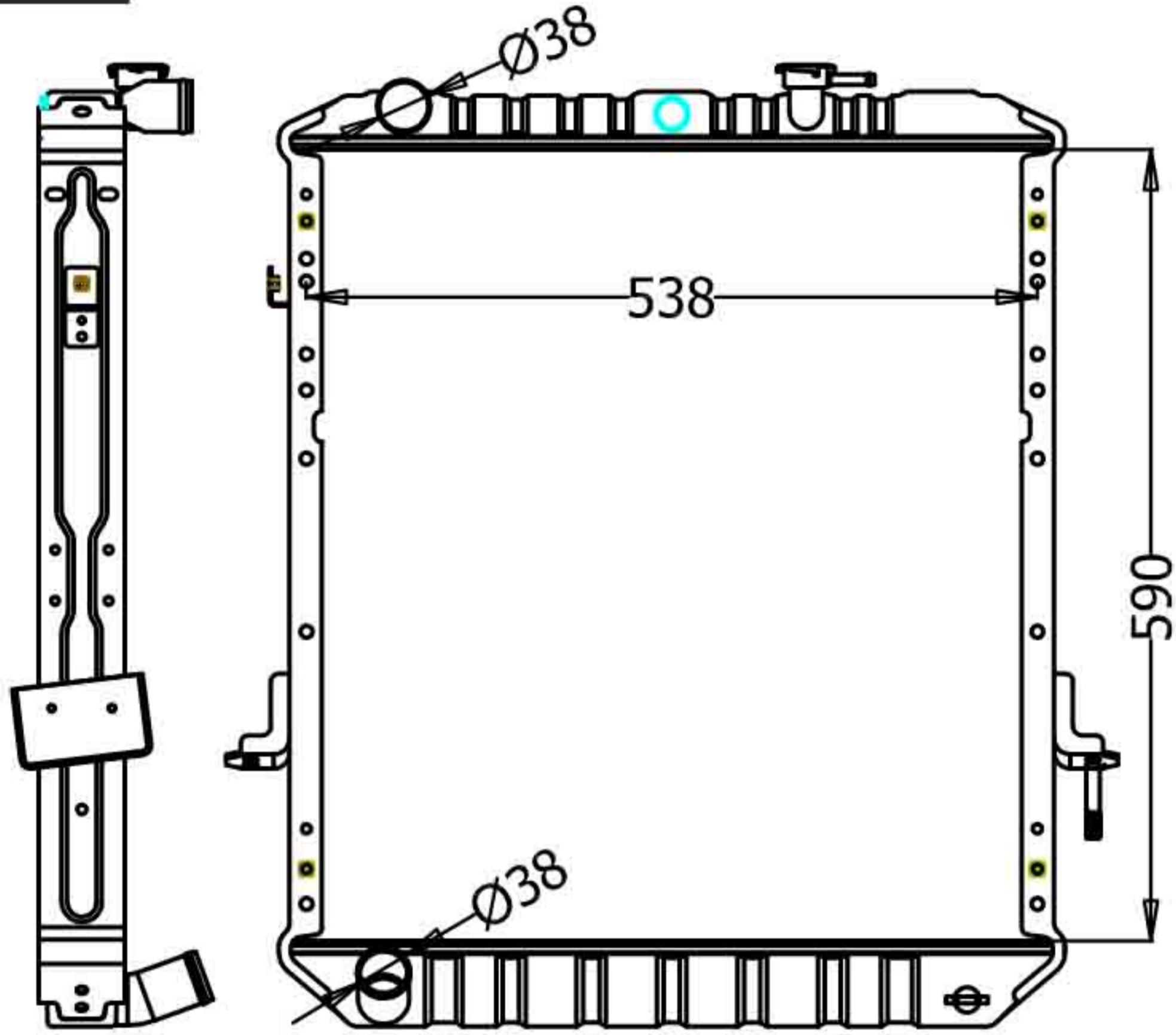
CARTYPE: ISUZU3.9 (五十铃3.9) MT  
 CORE SIZE: BC 590x538x49 TANK SIZE: 572\*60  
 CARTON:  
 OEM:  
 DPI:

**IS-13020**



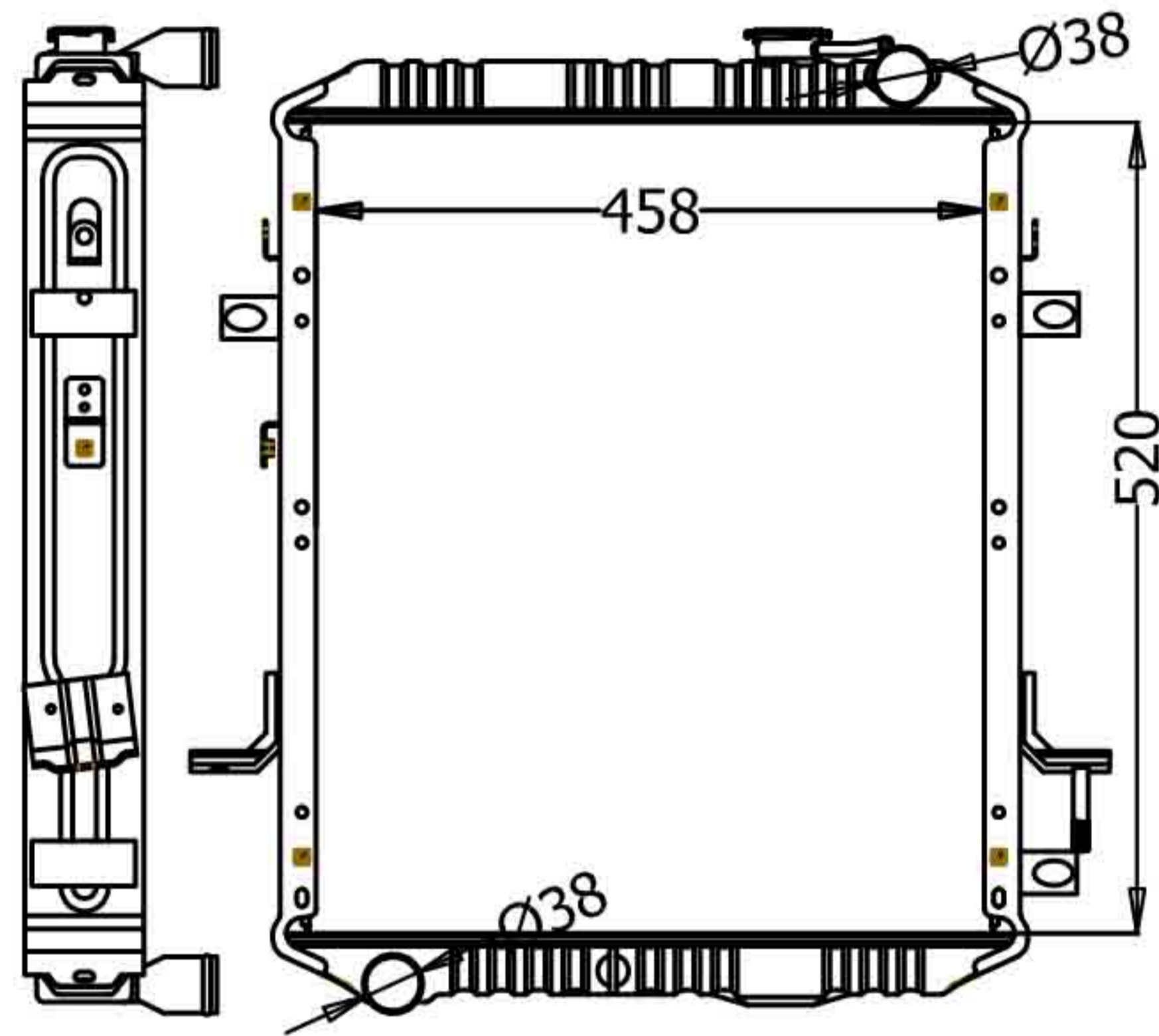
CARTYPE: ISUZU NPR4.8(五十铃4.8) MT  
 CORE SIZE: BC 590x538x49 TANK SIZE: 572\*60  
 CARTON:  
 OEM: 8-9240-350-0  
 DPI:

**IS-13021**



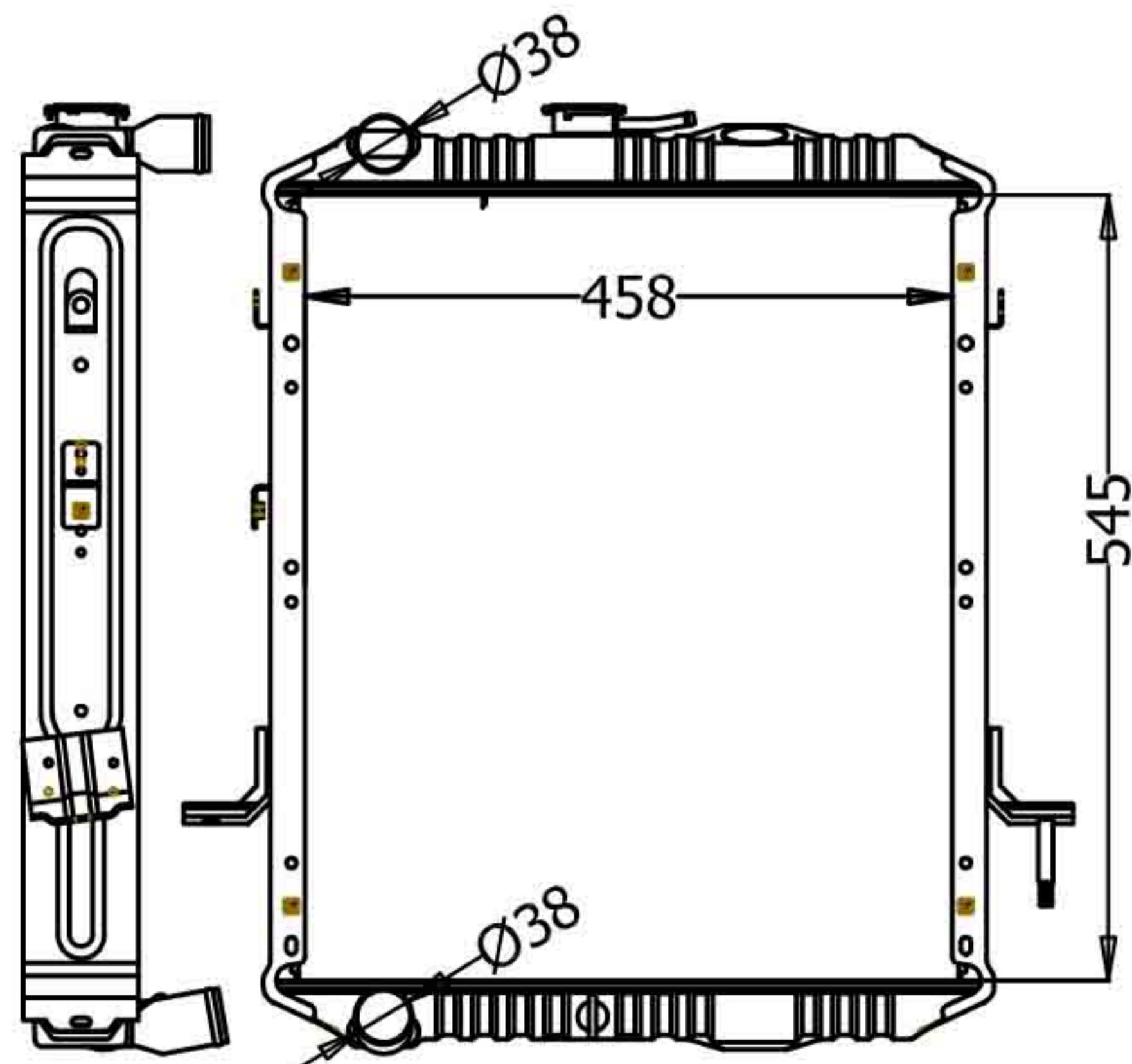
CARTYPE: ISUZU4.8(五十铃4.8) MT  
 CORE SIZE: BC 590x538x49 TANK SIZE: 572\*60  
 CARTON:  
 OEM:  
 DPI:

**IS-13022**



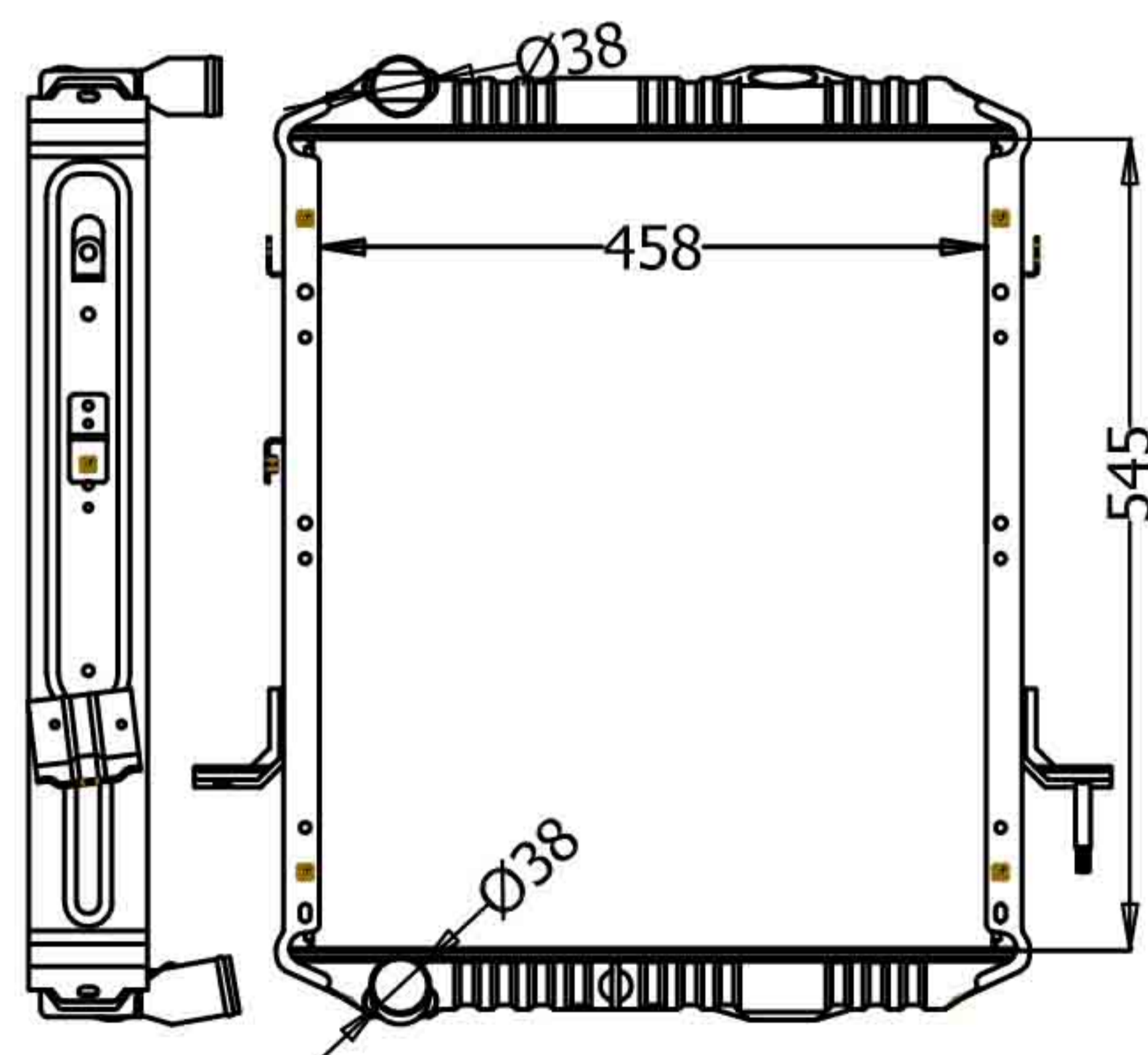
CARTYPE: NEW ISUZU (新款1050) MT  
 CORE SIZE: BC 520\*458\*49 TANK SIZE: 490\*72  
 CARTON:  
 OEM:  
 DPI:

**IS-13023**



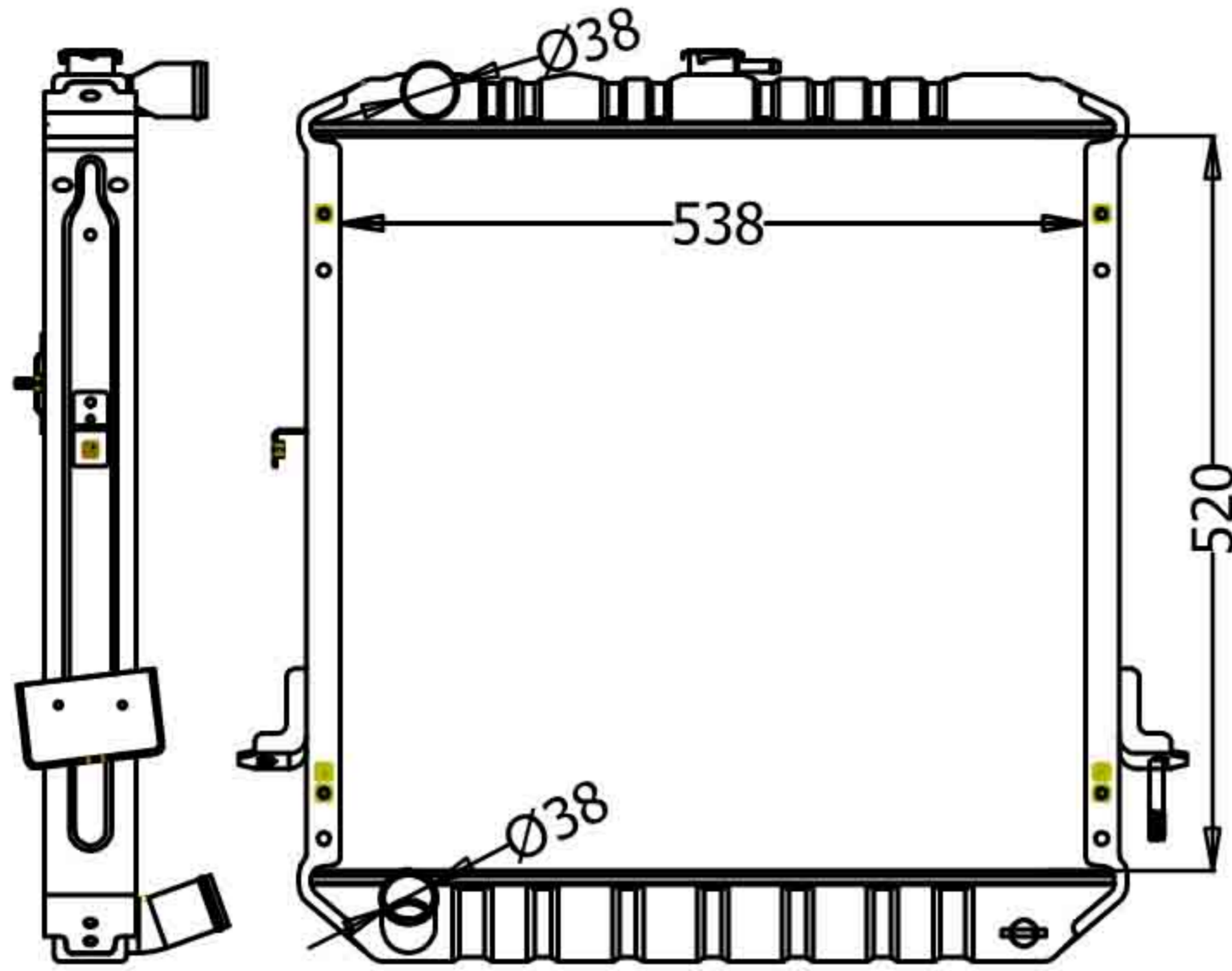
CARTYPE: ISUZU545(545庆铃) MT  
 CORE SIZE: BC 545x458x49 TANK SIZE: 490\*72  
 CARTON:  
 OEM:  
 DPI:

**IS-13024**



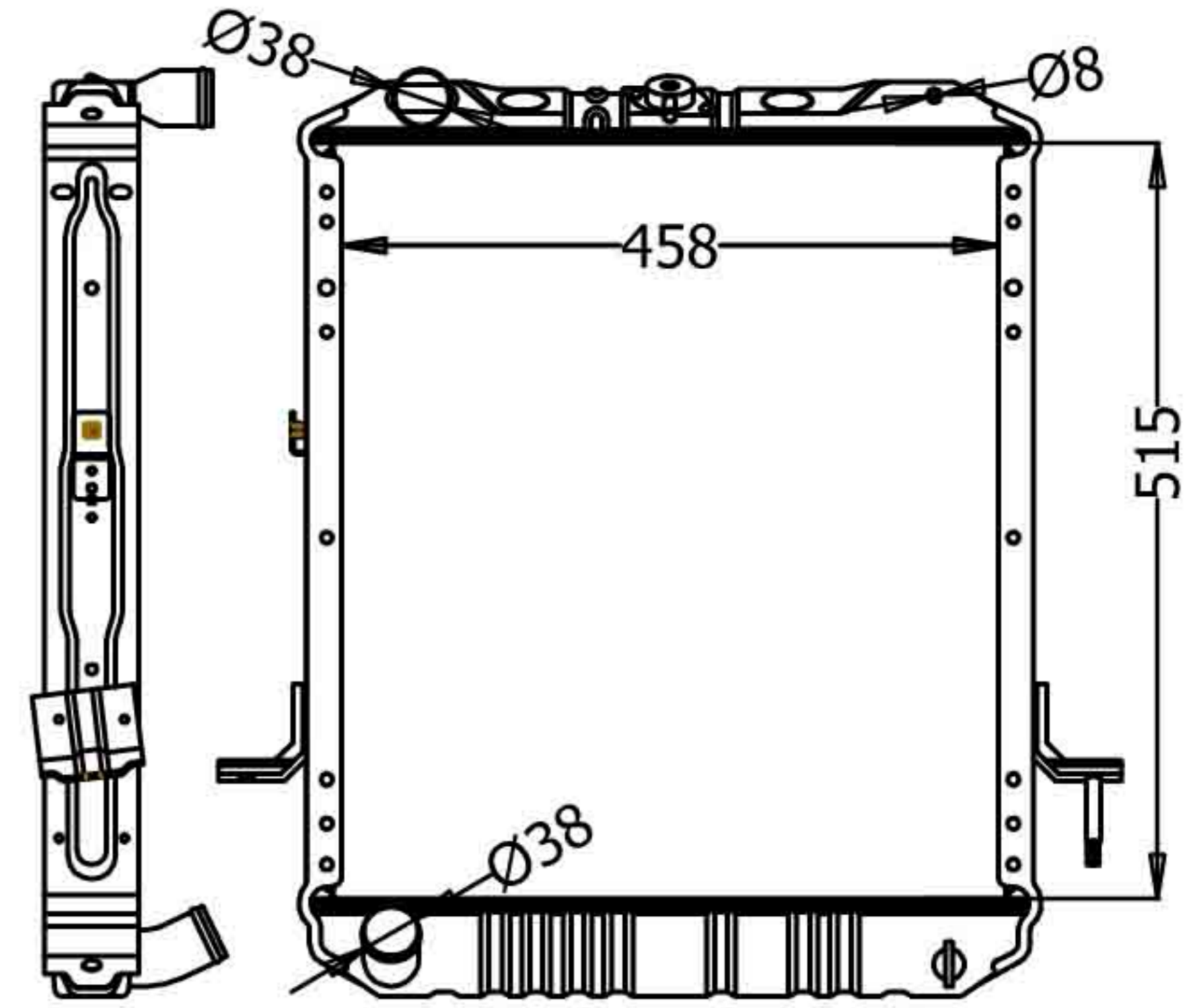
CARTYPE: ISUZU(545芯高原装五十铃) MT  
 CORE SIZE: BC 545x458x49 TANK SIZE: 490\*72  
 CARTON:  
 OEM:  
 DPI:

## IS-13025



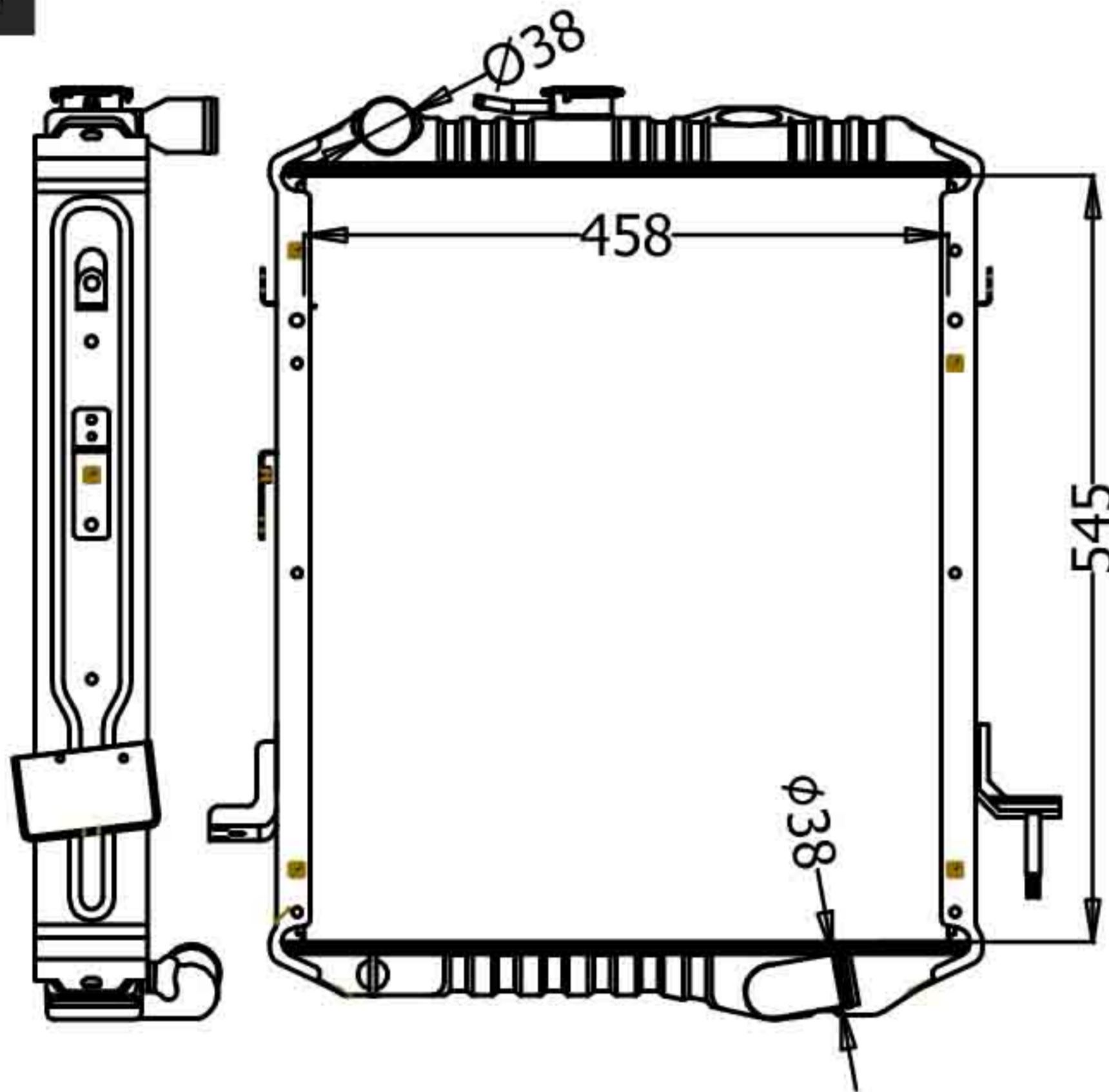
CARTYPE: NQR729(五十铃) MT  
 CORE SIZE: BC 520x538x32 TANK SIZE: 572\*60  
 CARTON:  
 OEM:  
 DPI:

## IS-13026



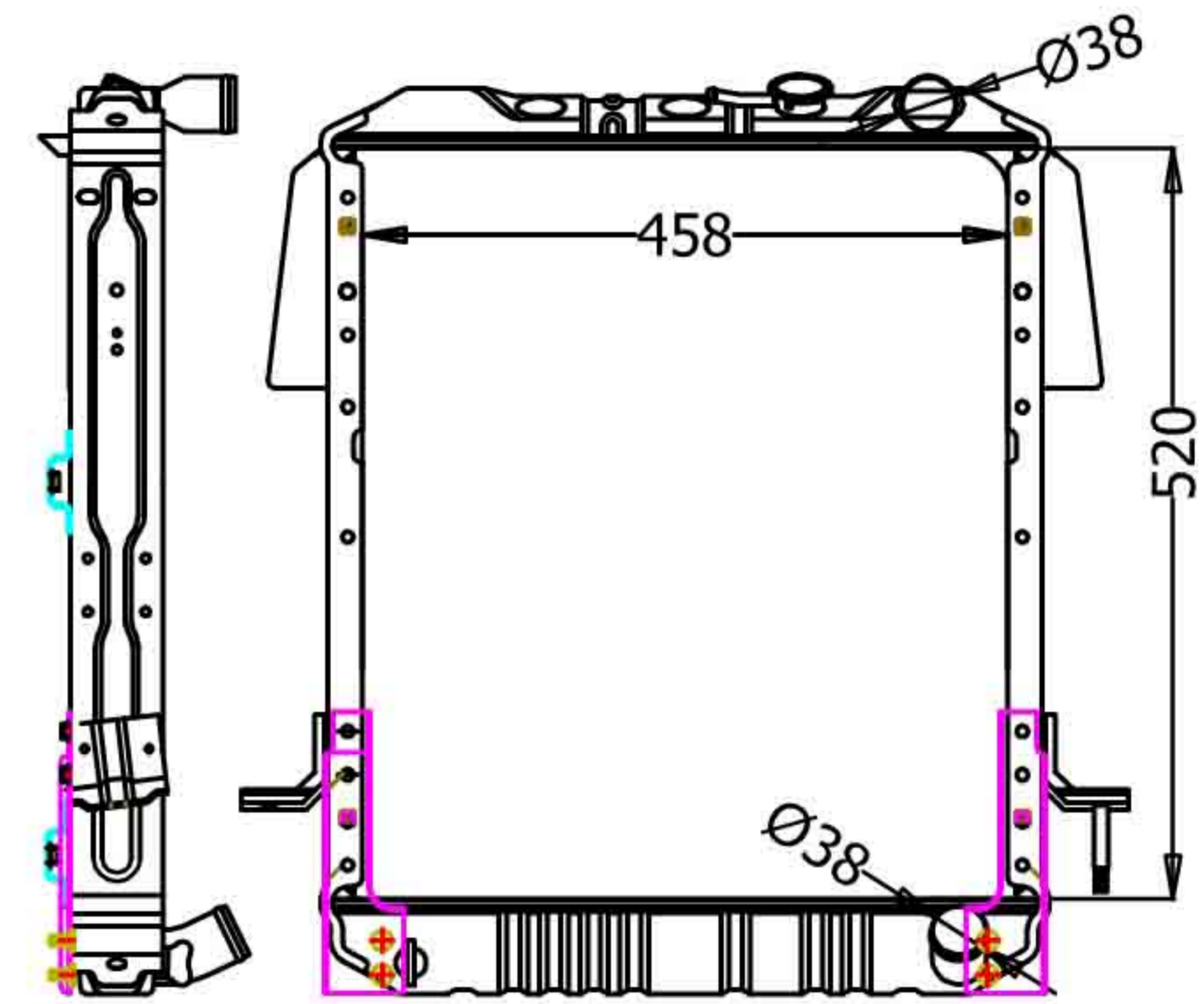
CARTYPE: ISUZU4.3A(天皇五十铃4.3A) MT  
 CORE SIZE: BC 515x458x49 TANK SIZE: 490\*60  
 CARTON:  
 OEM:  
 DPI:

## IS-13027



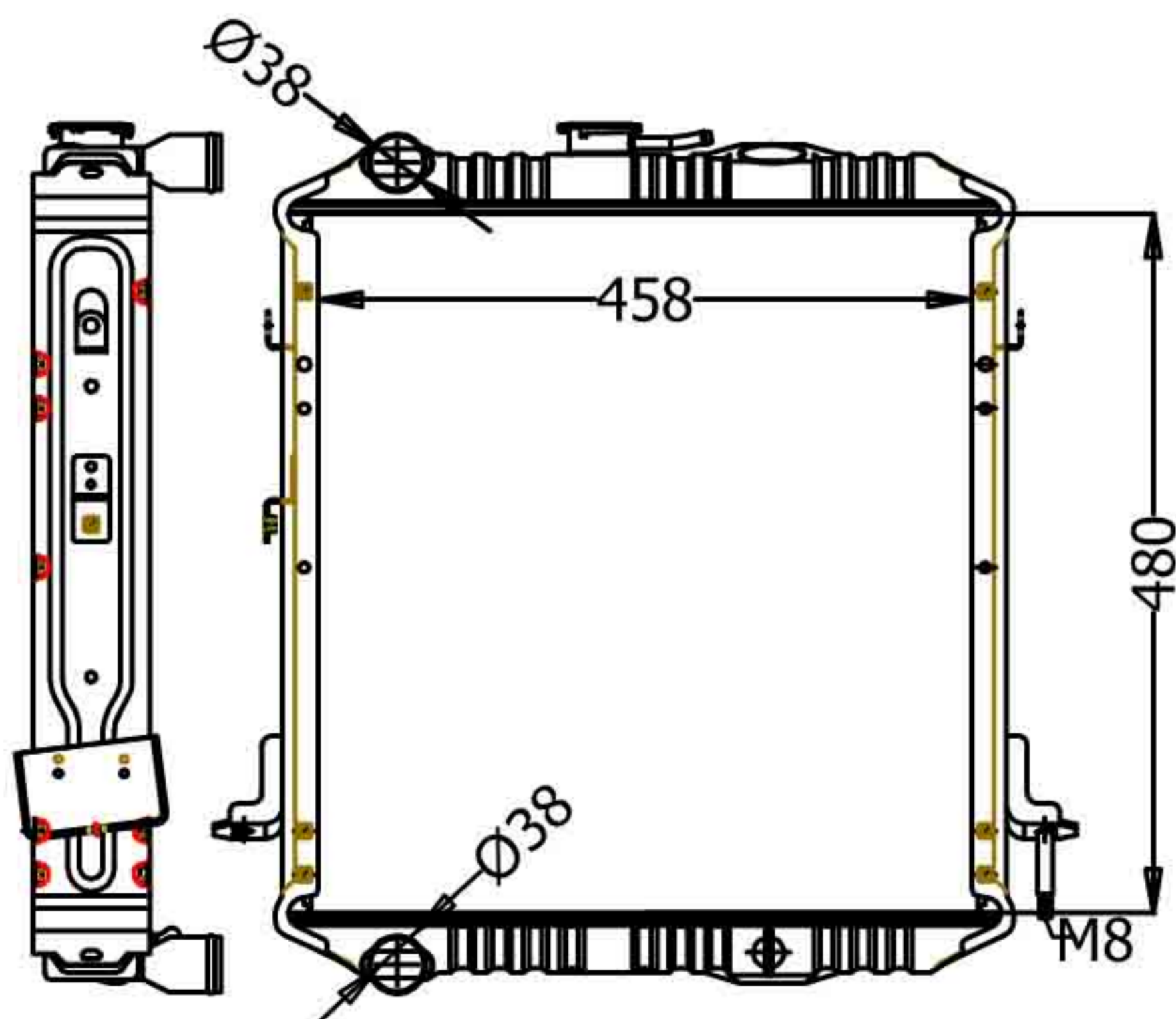
CARTYPE: ISUZU3.6B(五十铃3.6B) MT  
 CORE SIZE: BC 545x458x49 TANK SIZE: 490\*72  
 CARTON:  
 OEM:  
 DPI:

## IS-13028



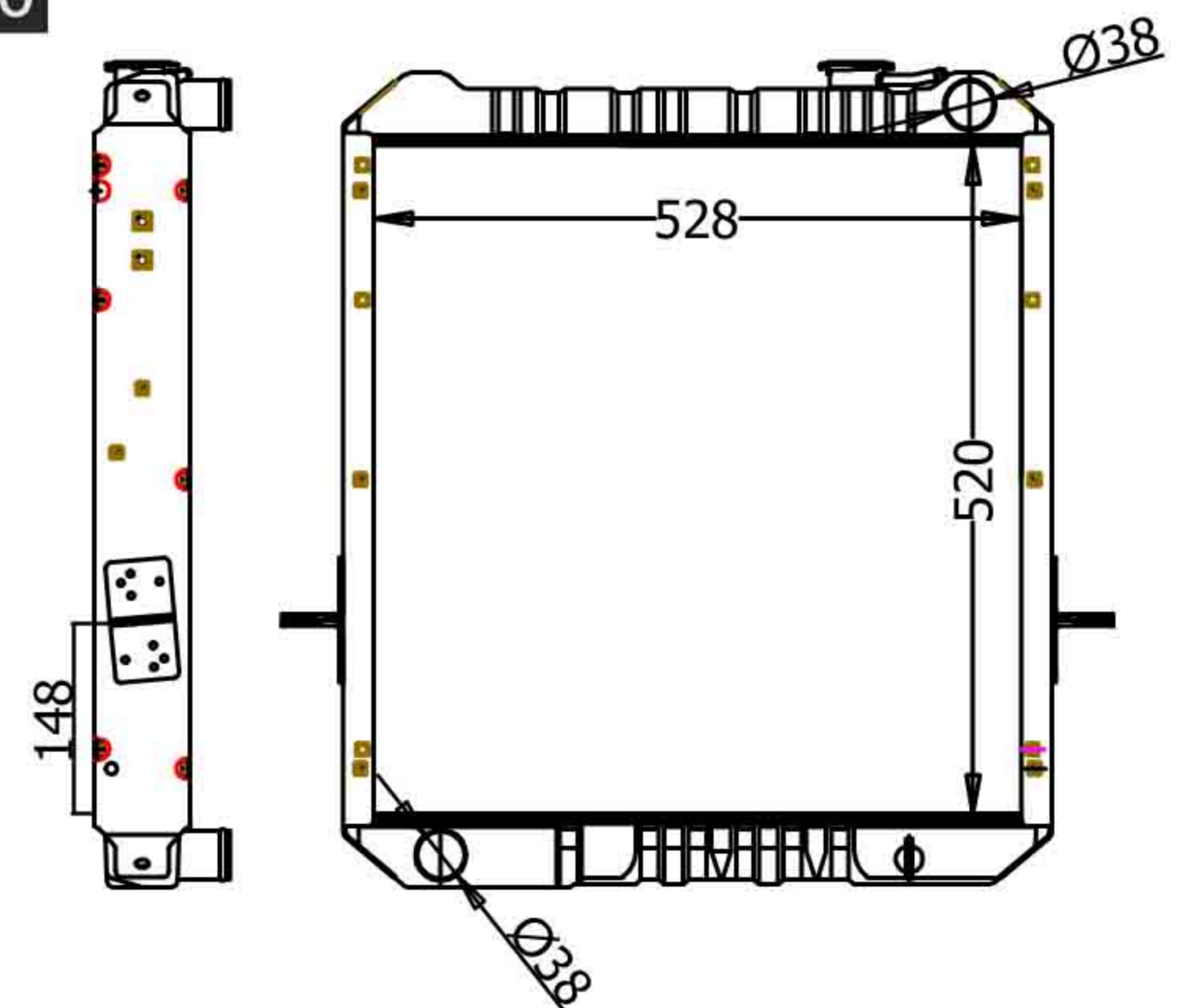
CARTYPE: ISUZU4.3A(五十铃4.3A) MT  
 CORE SIZE: BC 520x458x32 TANK SIZE: 490\*60  
 CARTON:  
 OEM:  
 DPI:

## IS-13029



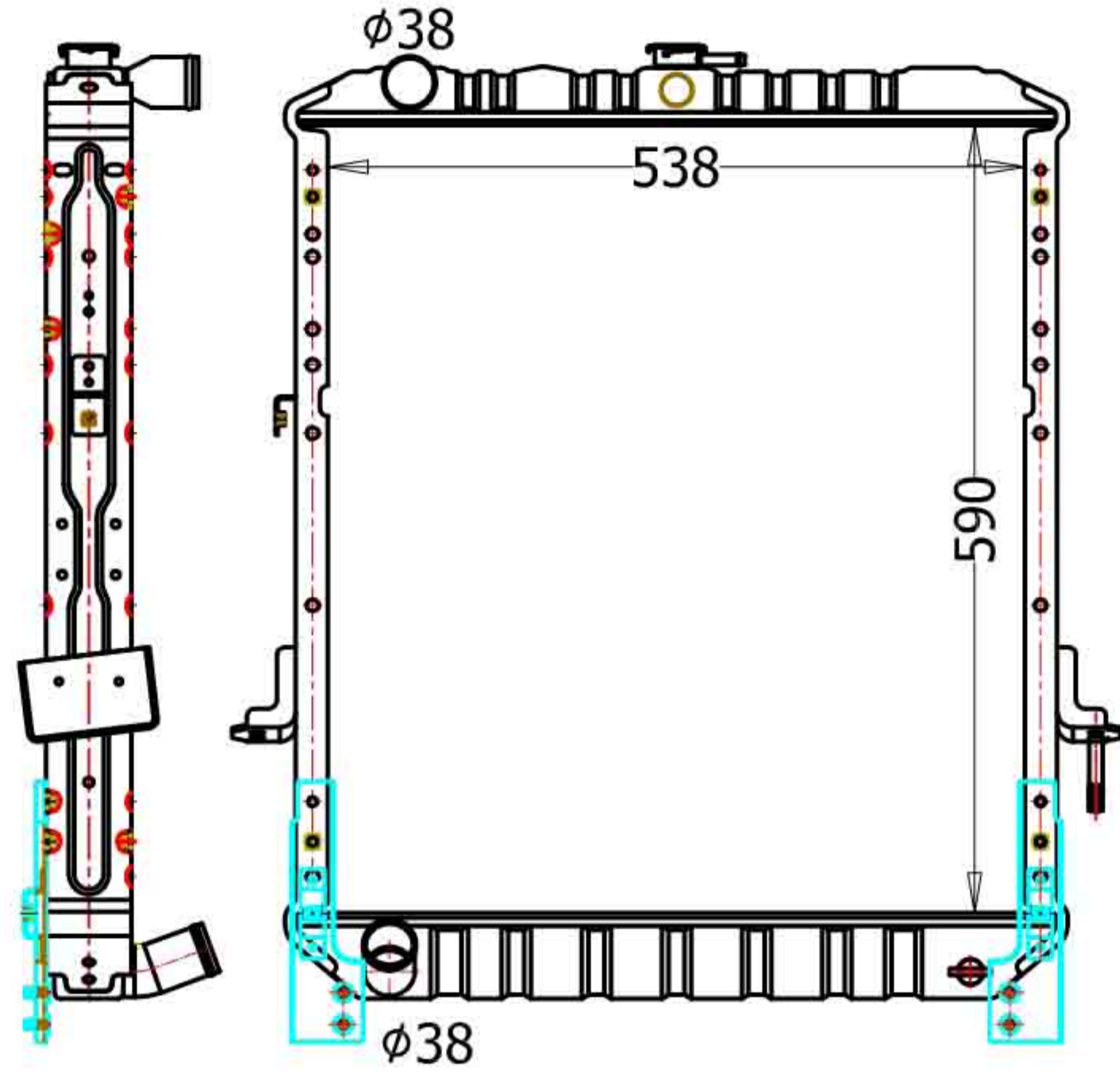
CARTYPE: ISUZU(480芯高五十铃) MT  
 CORE SIZE: BC 480\*458\*49 TANK SIZE: 490\*72  
 CARTON:  
 OEM:  
 DPI:

## IS-13030



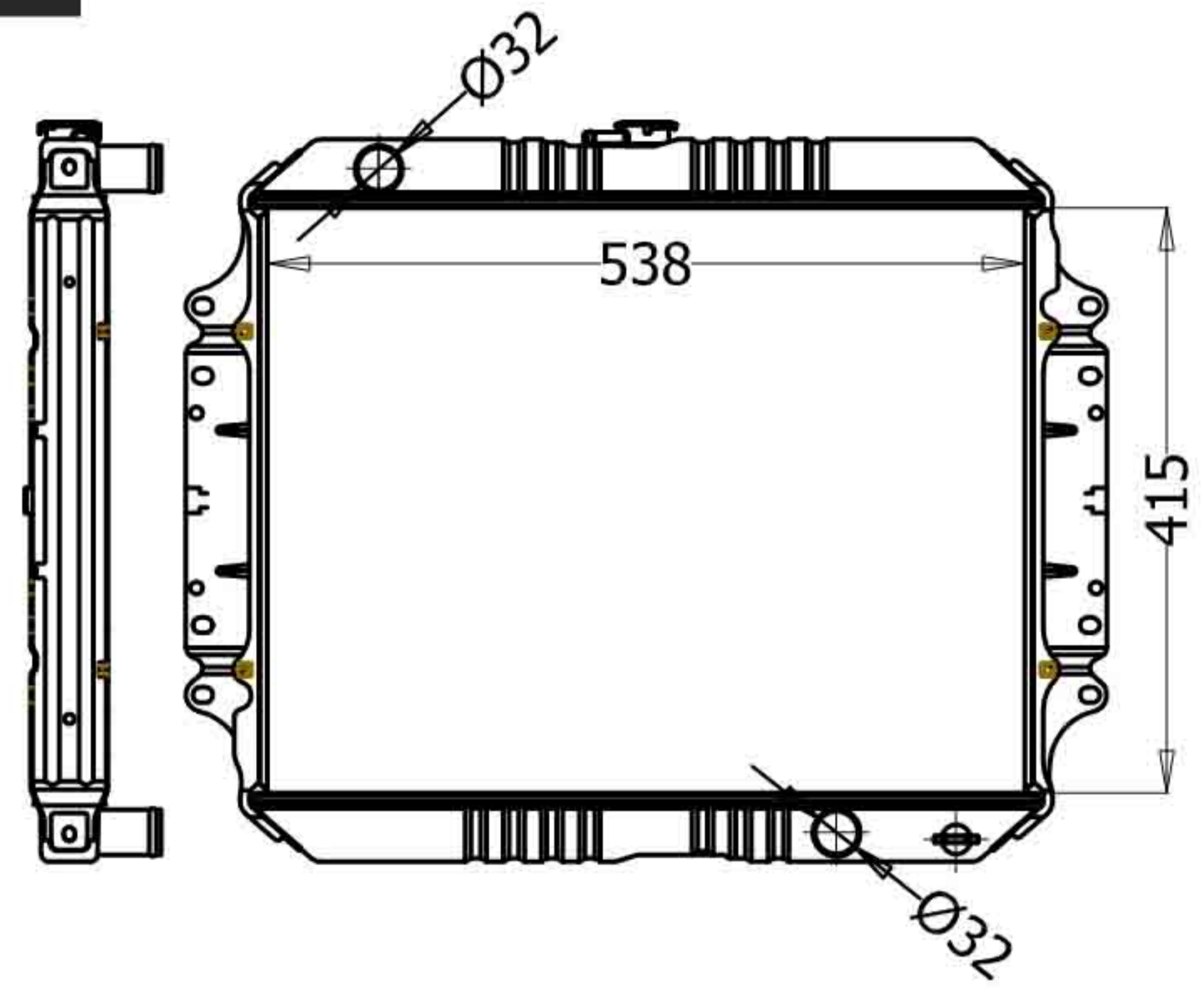
CARTYPE: ISUZU(江淮五十铃) MT  
 CORE SIZE: BC 520\*528\*49 TANK SIZE: 535\*65  
 CARTON:  
 OEM:  
 DPI:

**IS-13031**



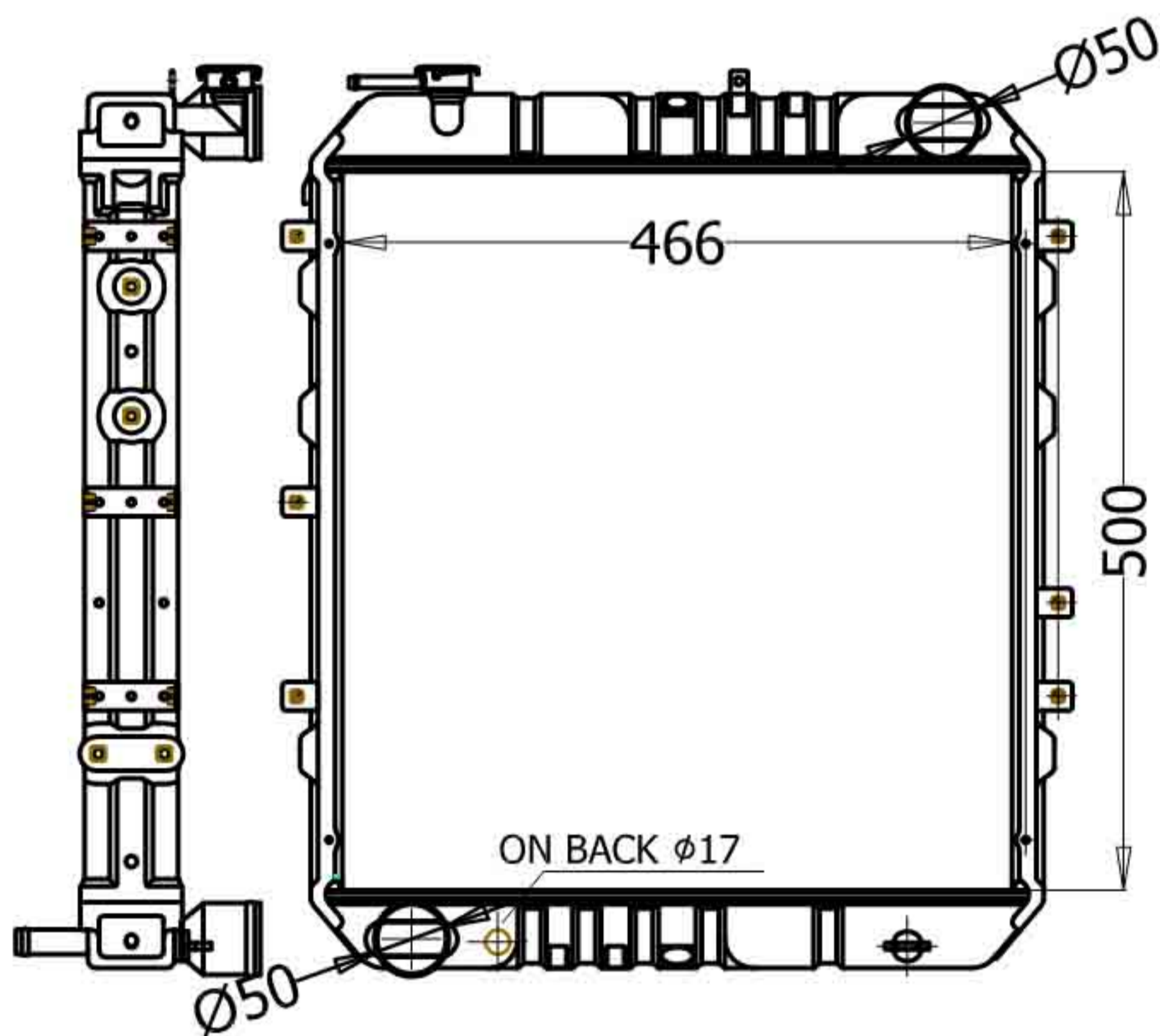
CARTYPE: NQR MT  
 CORE SIZE: BC: 590\*538\*49 TANK SIZE: 572\*60  
 CORE SIZE :  
 OEM: 2147483647  
 DPI:

**IS-13032**



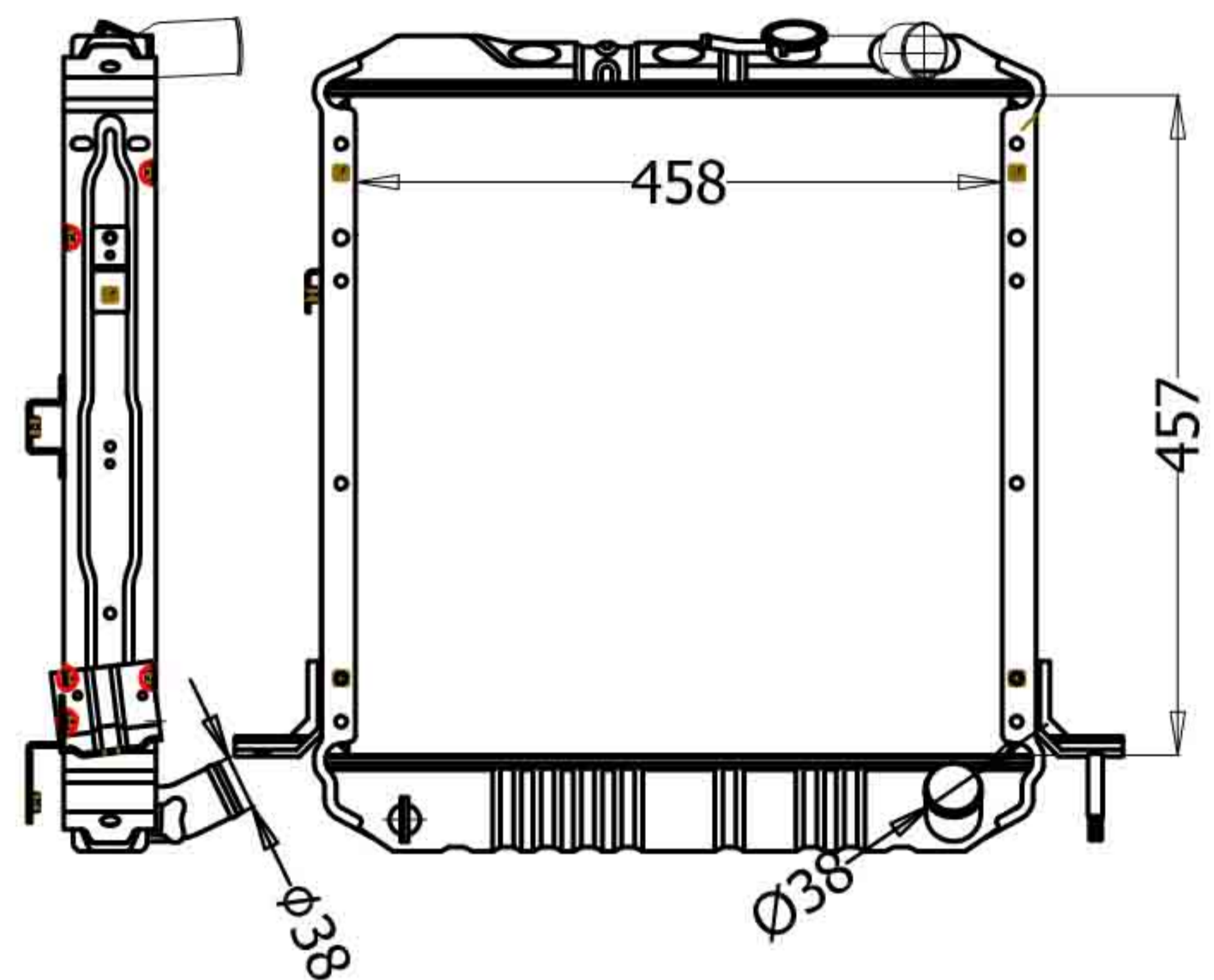
CARTYPE: ISUZU(改装柴油富迪) MT  
 CORE SIZE: BC 415\*538\*32 TANK SIZE: 555\*48  
 CARTON:  
 OEM:  
 DPI:

**IS-13033**



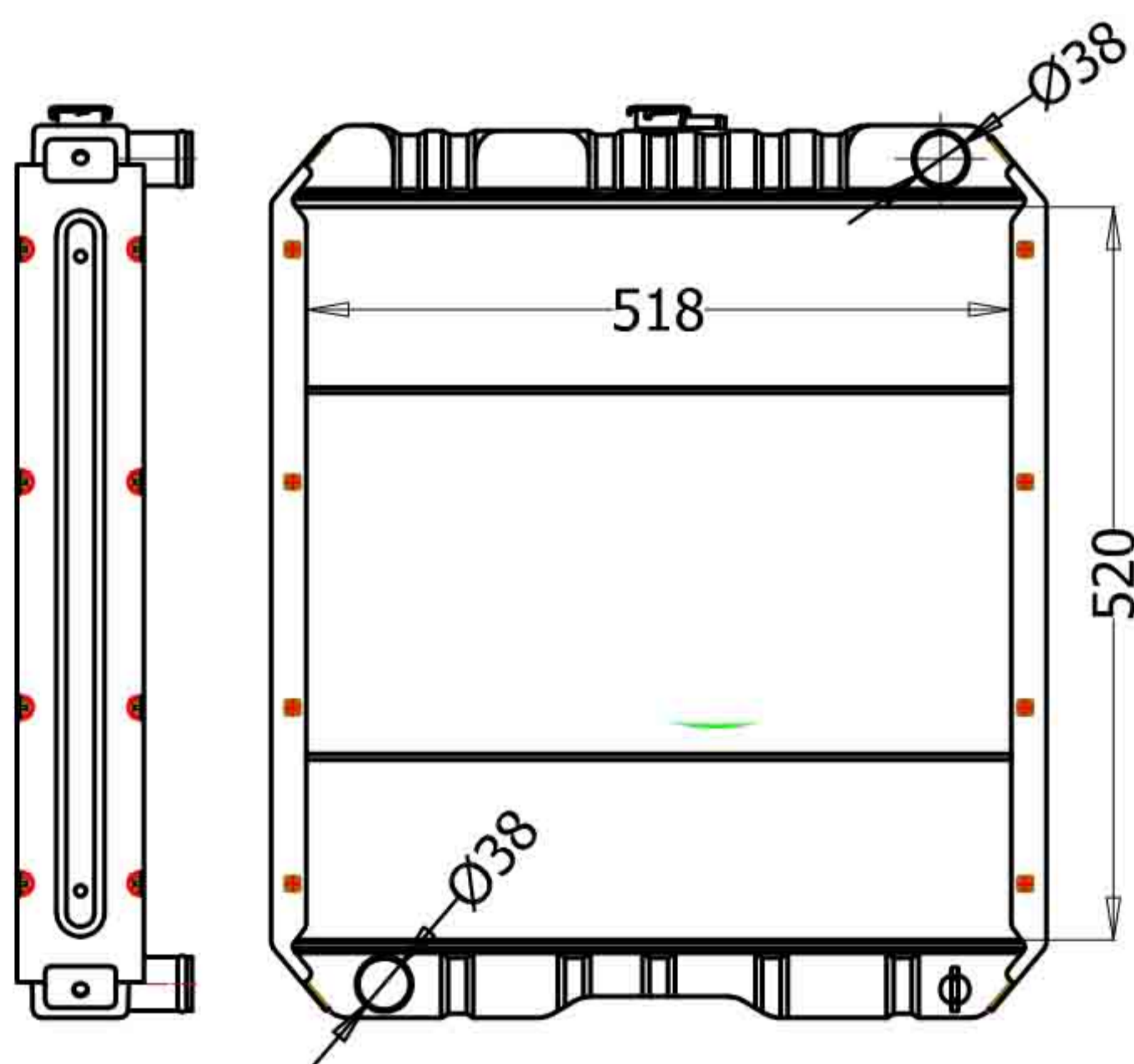
CARTYPE: ISUZU(五十铃货车) AT  
 CORE SIZE: BC 500\*466\*49 TANK SIZE: 495\*68  
 CARTON:  
 OEM:  
 DPI:

**IS-13034**



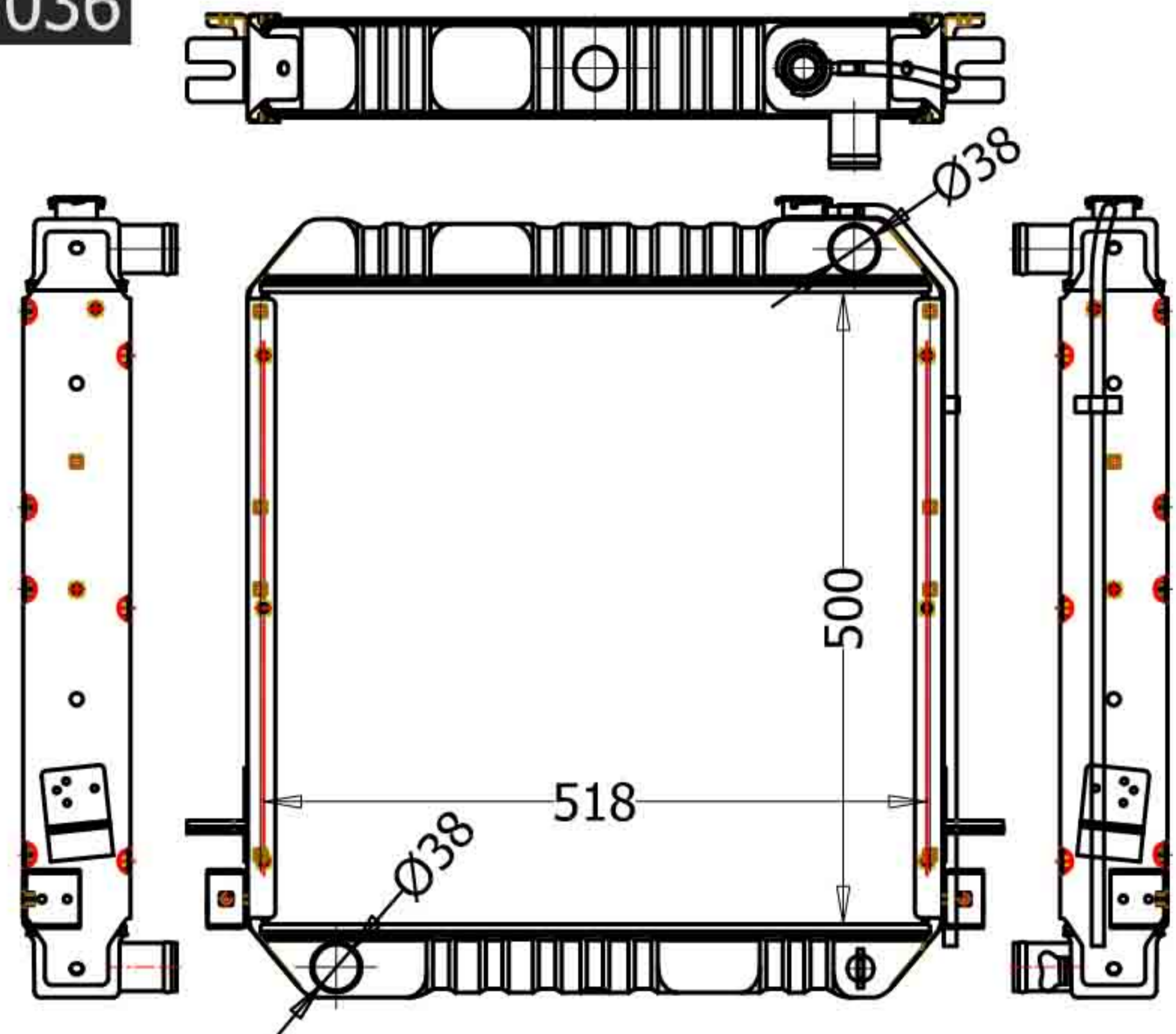
CARTYPE: ISUZU(进口天皇五十铃) MT  
 CORE SIZE: BC 457\*458\*32 TANK SIZE: 490\*60  
 CARTON:  
 OEM:  
 DPI:

**IS-13035**



CARTYPE: ISUZU(奥铃4105) MT  
 CORE SIZE: BC 520x518x64 TANK SIZE: 528\*76  
 CARTON:  
 OEM:  
 DPI:

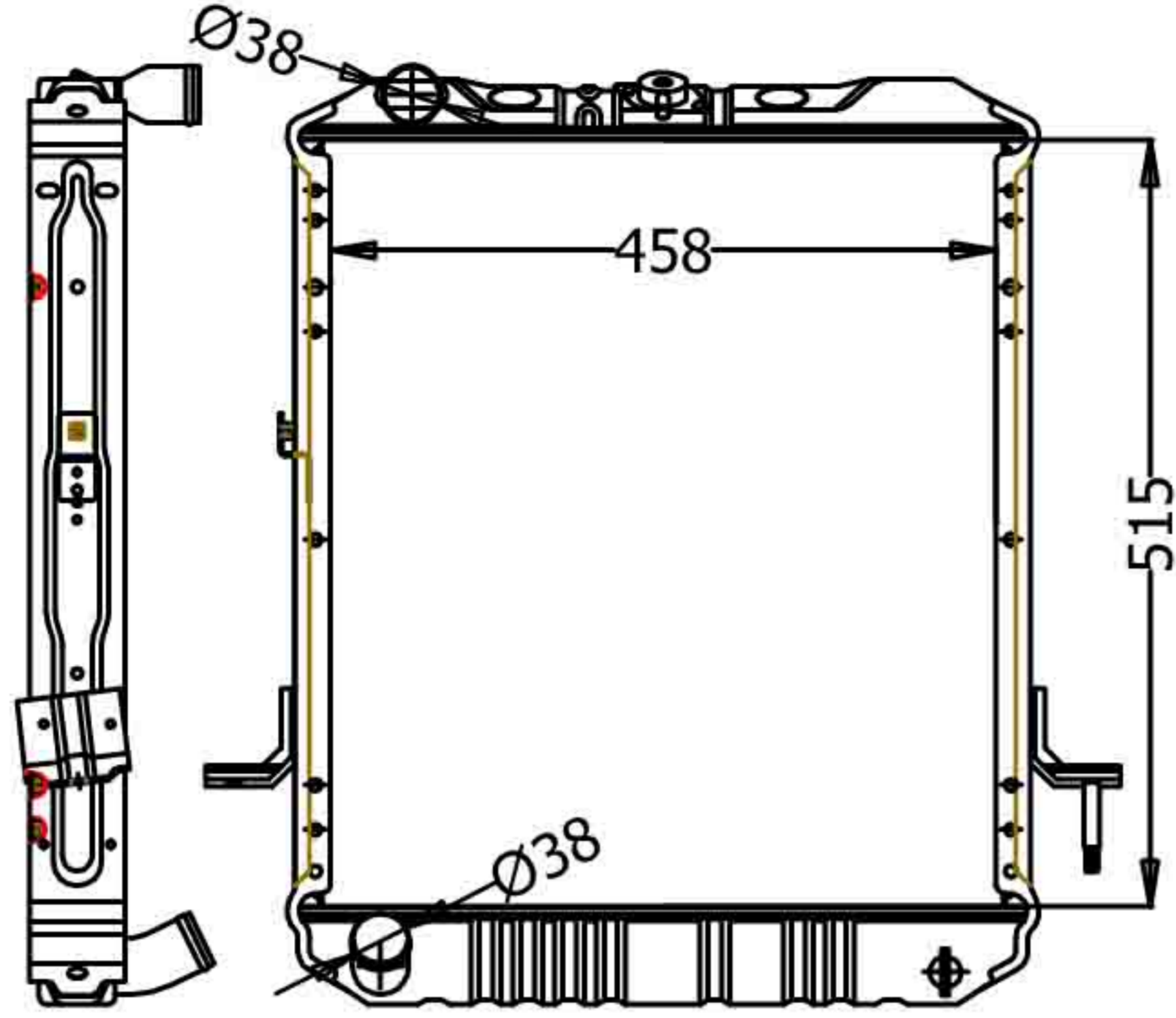
**IS-13036**



CARTYPE: ISUZU 福田奥铃轻卡 MT  
 CORE SIZE: BC 500\*518\*49 TANK SIZE: 528\*76  
 CARTON:  
 OEM:  
 DPI:

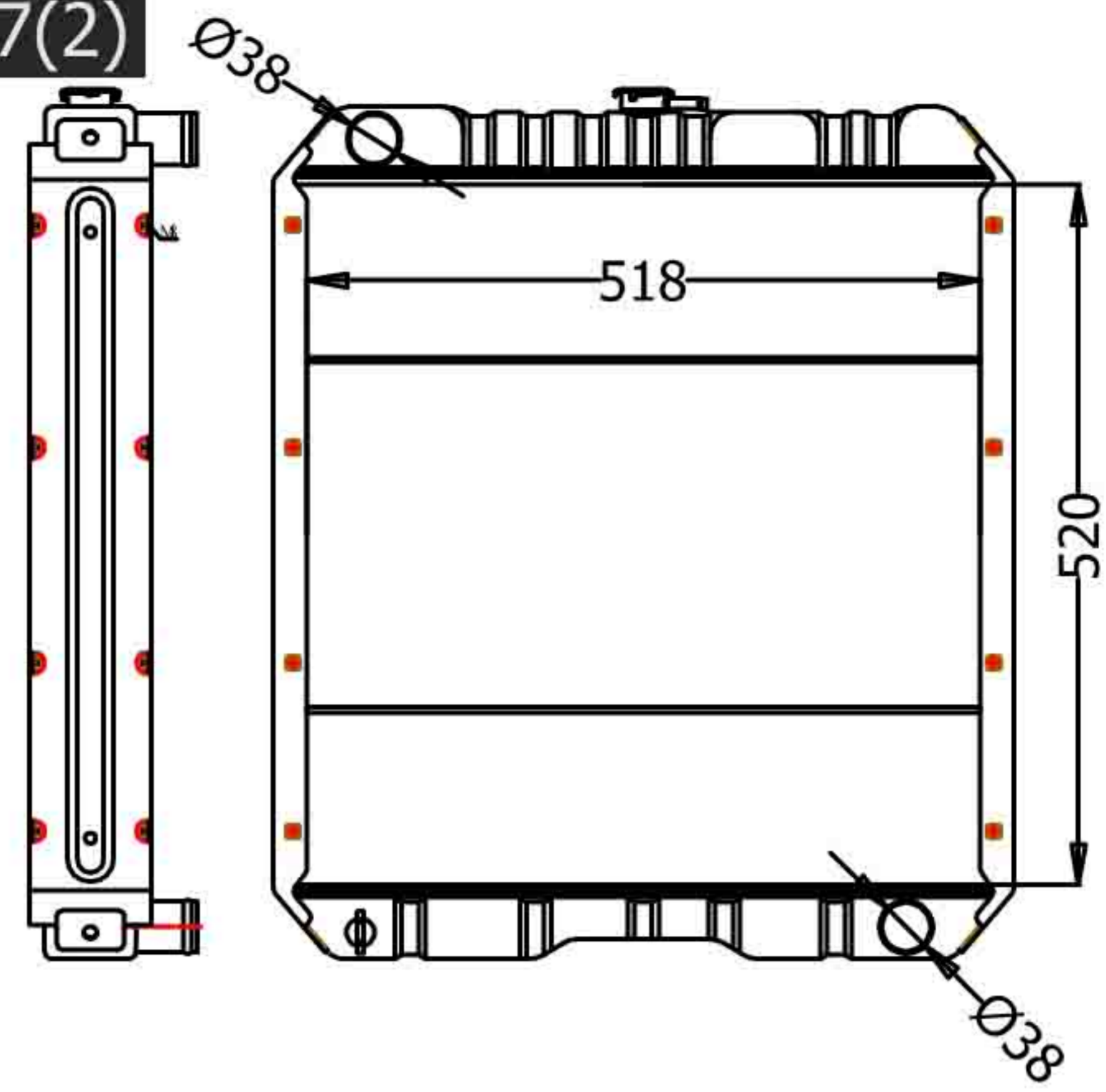
# ISUZU

**IS-13037(1)**



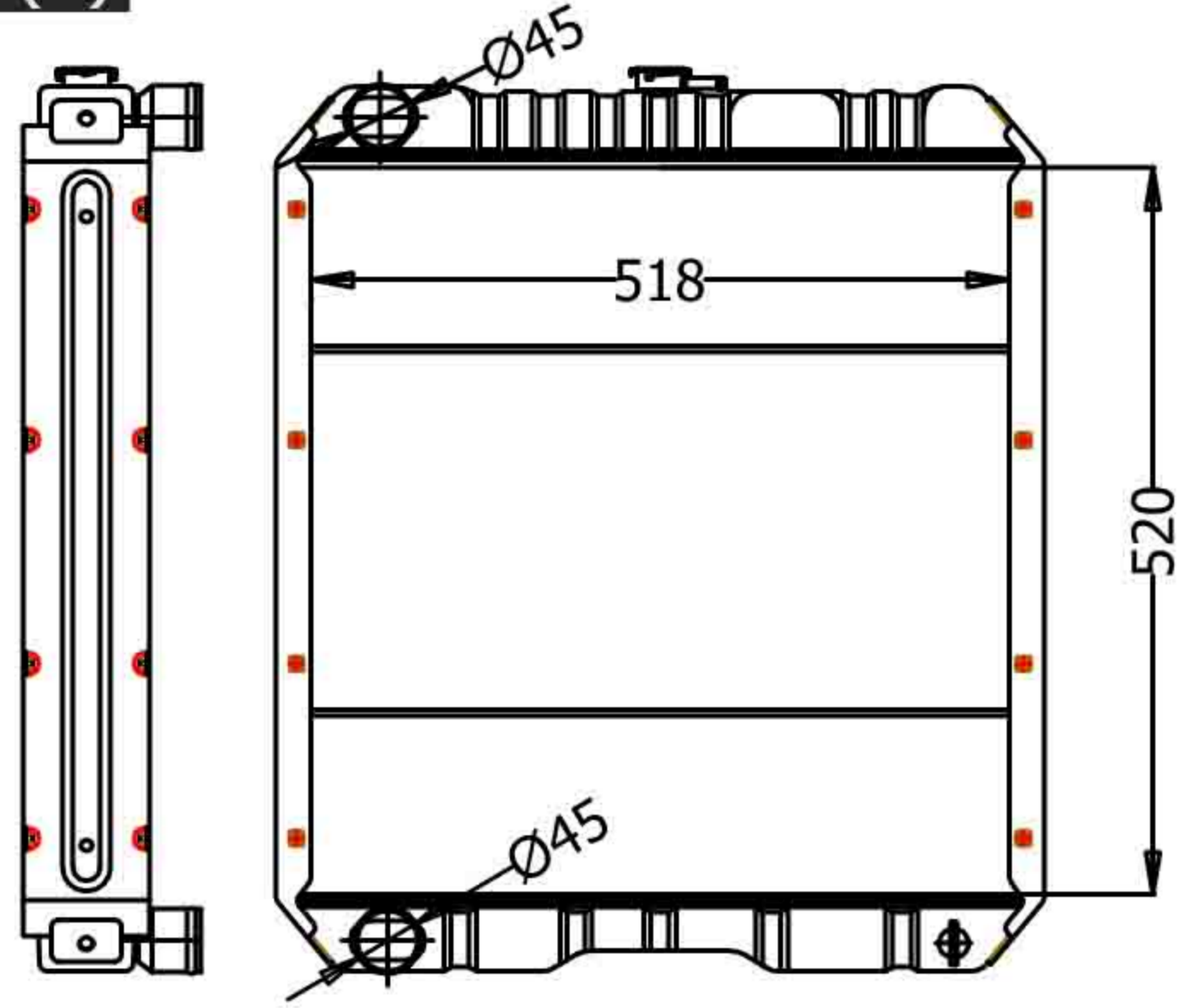
CARTYPE: ISUZU(515天皇 带压力阀) MT  
 CORE SIZE: BC 515\*458\*49 TANK SIZE: 490\*60  
 CARTON:  
 OEM:  
 DPI:

**IS-13037(2)**



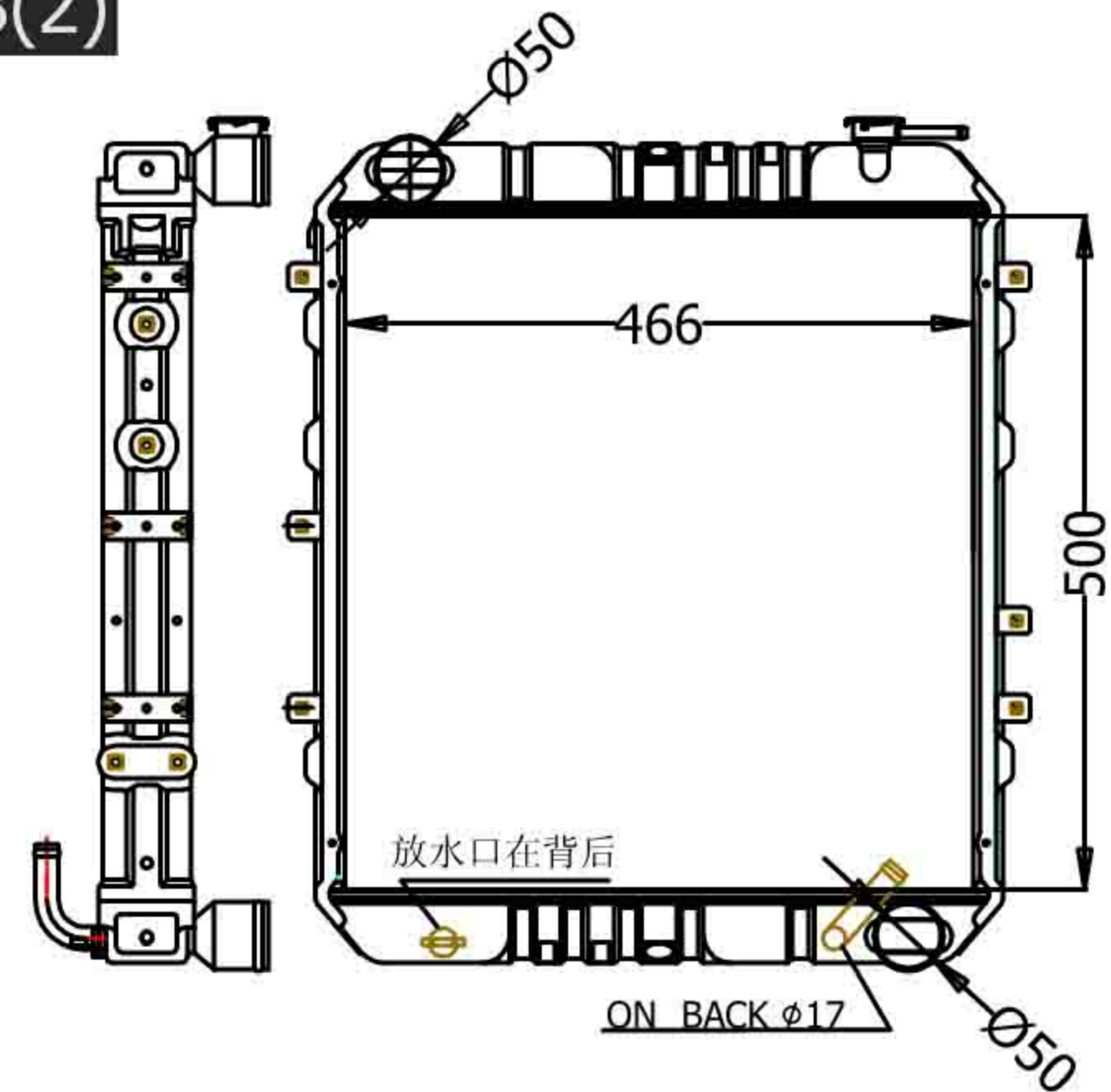
CARTYPE: ISUZU(奥铃4105) MT  
 CORE SIZE: BC 520\*518\*64 TANK SIZE: 528\*76  
 CARTON:  
 OEM:  
 DPI:

**IS-13038(1)**



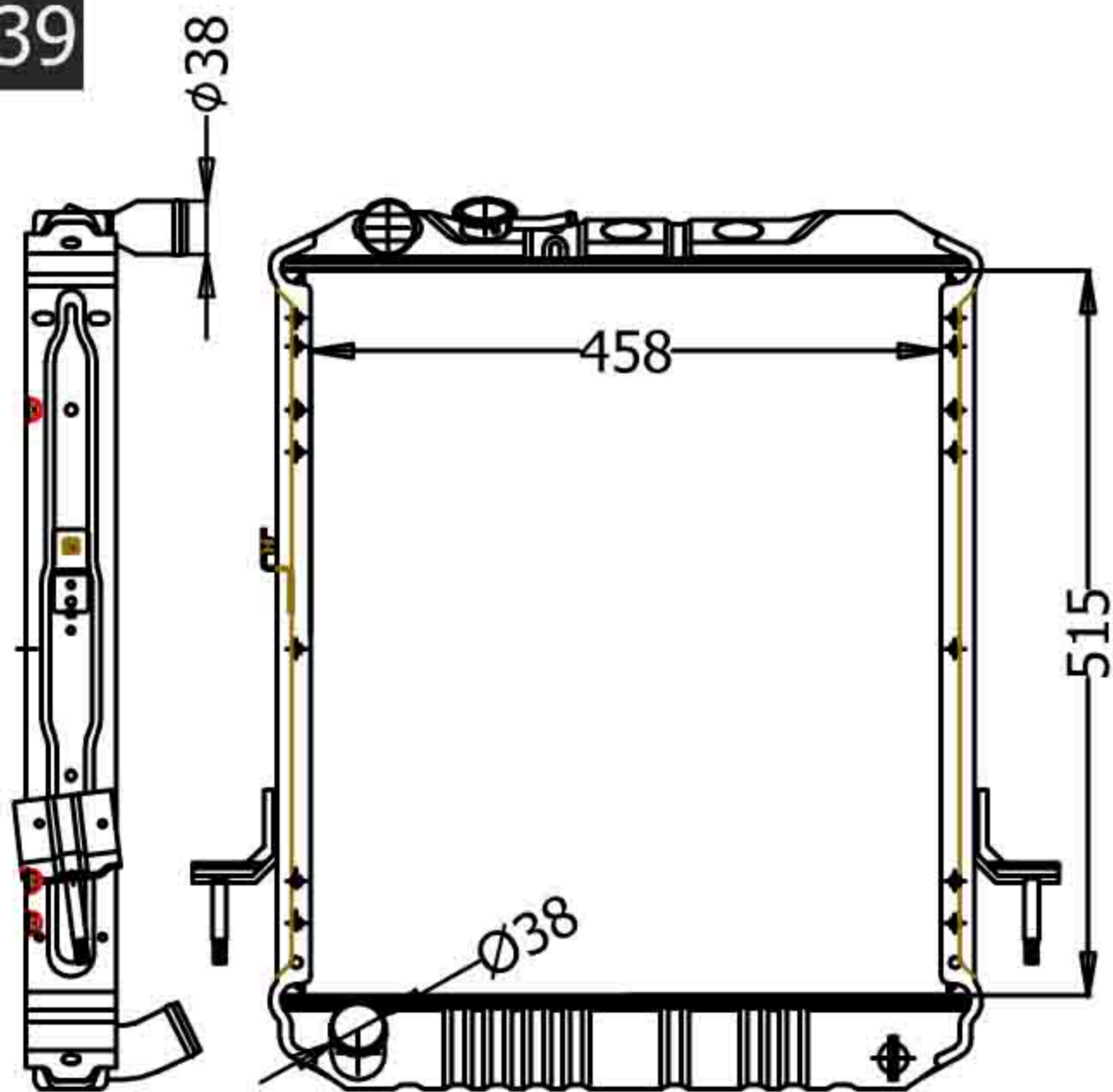
CARTYPE: ISUZU(奥铃4105) MT  
 CORE SIZE: BC 520\*518\*64 TANK SIZE: 528\*76  
 CARTON:  
 OEM:  
 DPI:

**IS-13038(2)**



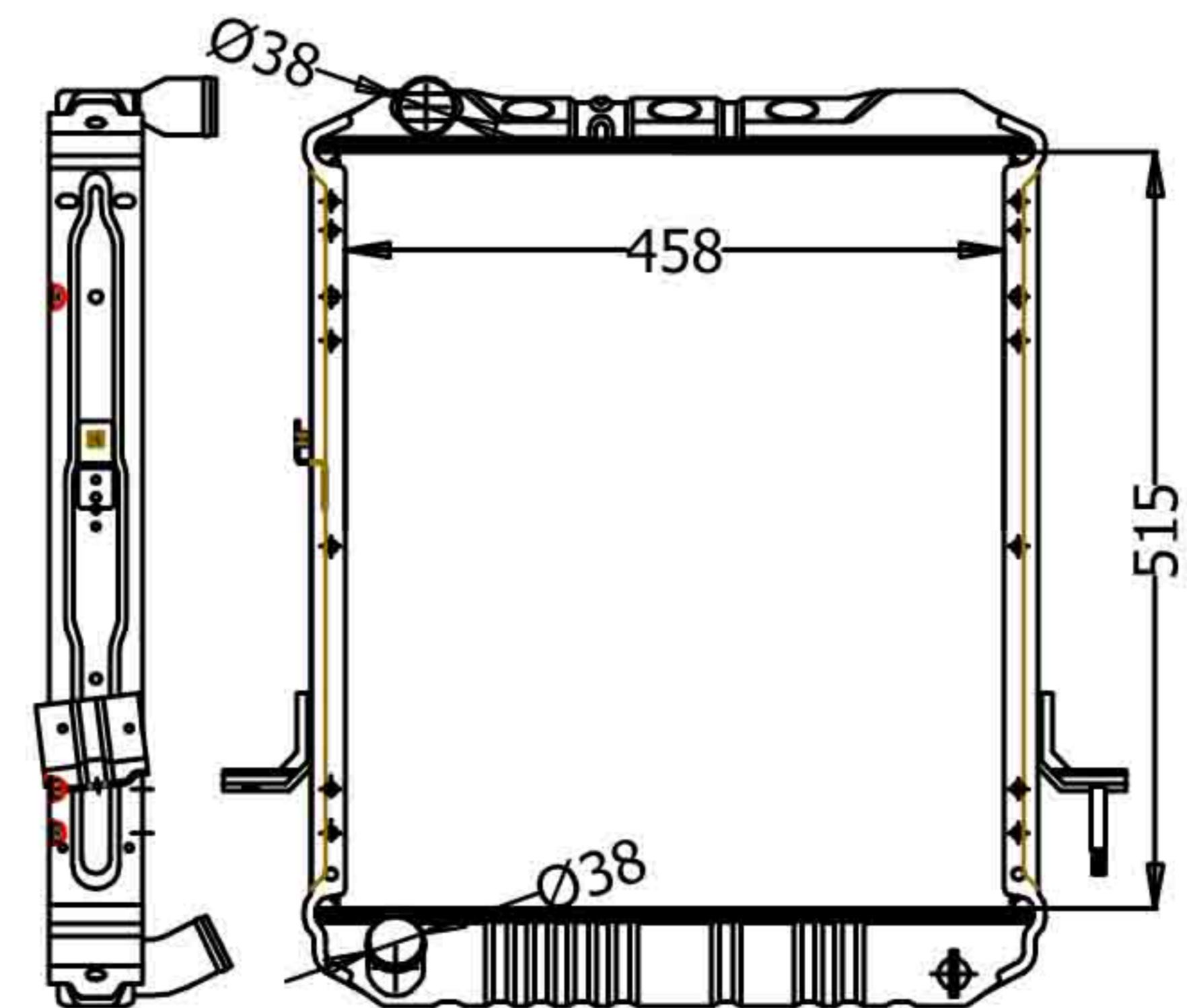
CARTYPE: ISUZU(新款五十铃货车) MT  
 CORE SIZE: BC 500\*466\*49 TANK SIZE: 495\*68  
 CARTON:  
 OEM:  
 DPI:

**IS-13039**



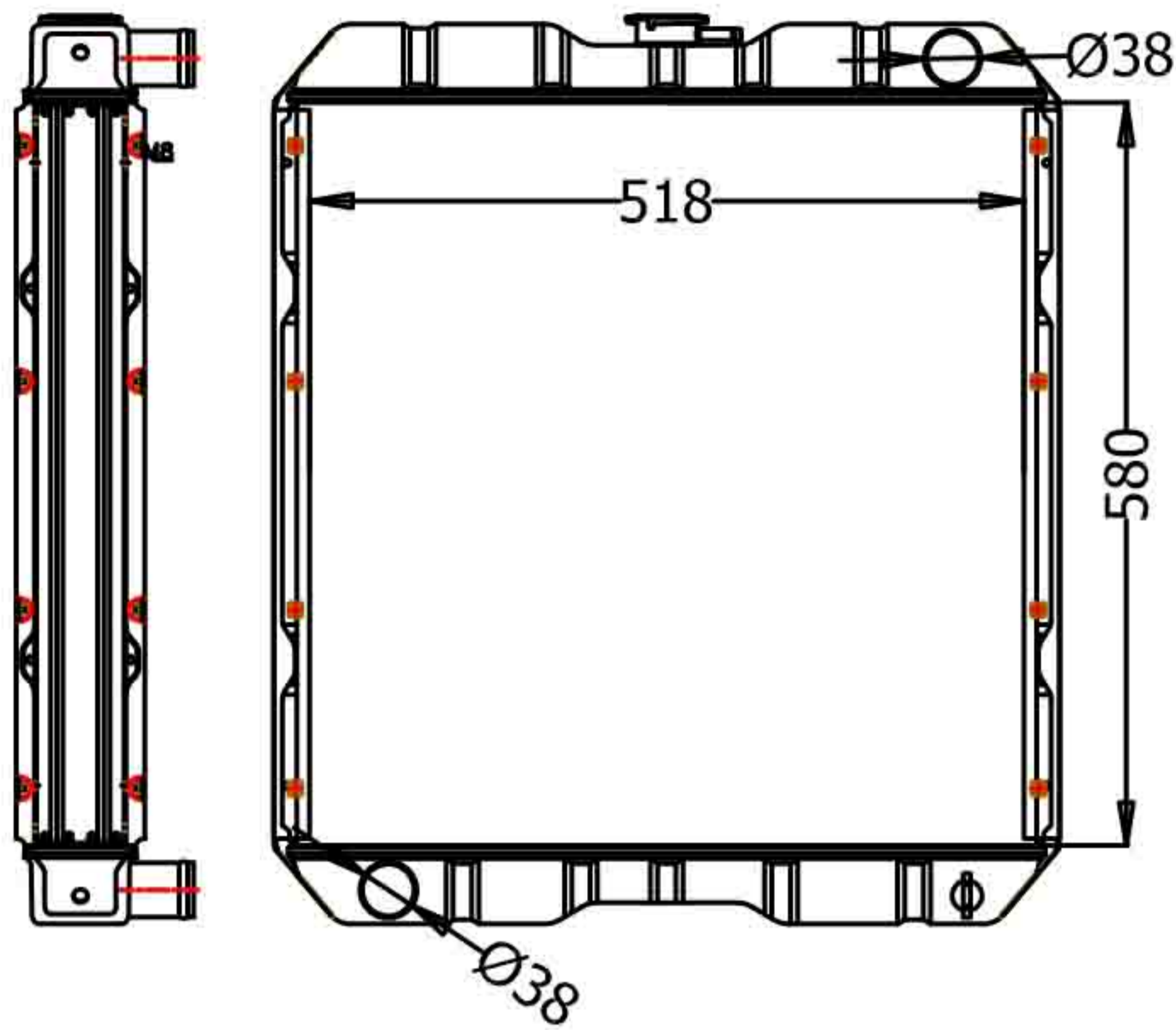
CARTYPE: ISUZU(515芯高五十铃) MT  
 CORE SIZE: BC 515\*458\*49 TANK SIZE: 490\*60  
 CARTON:  
 OEM:  
 DPI:

**IS-13040**



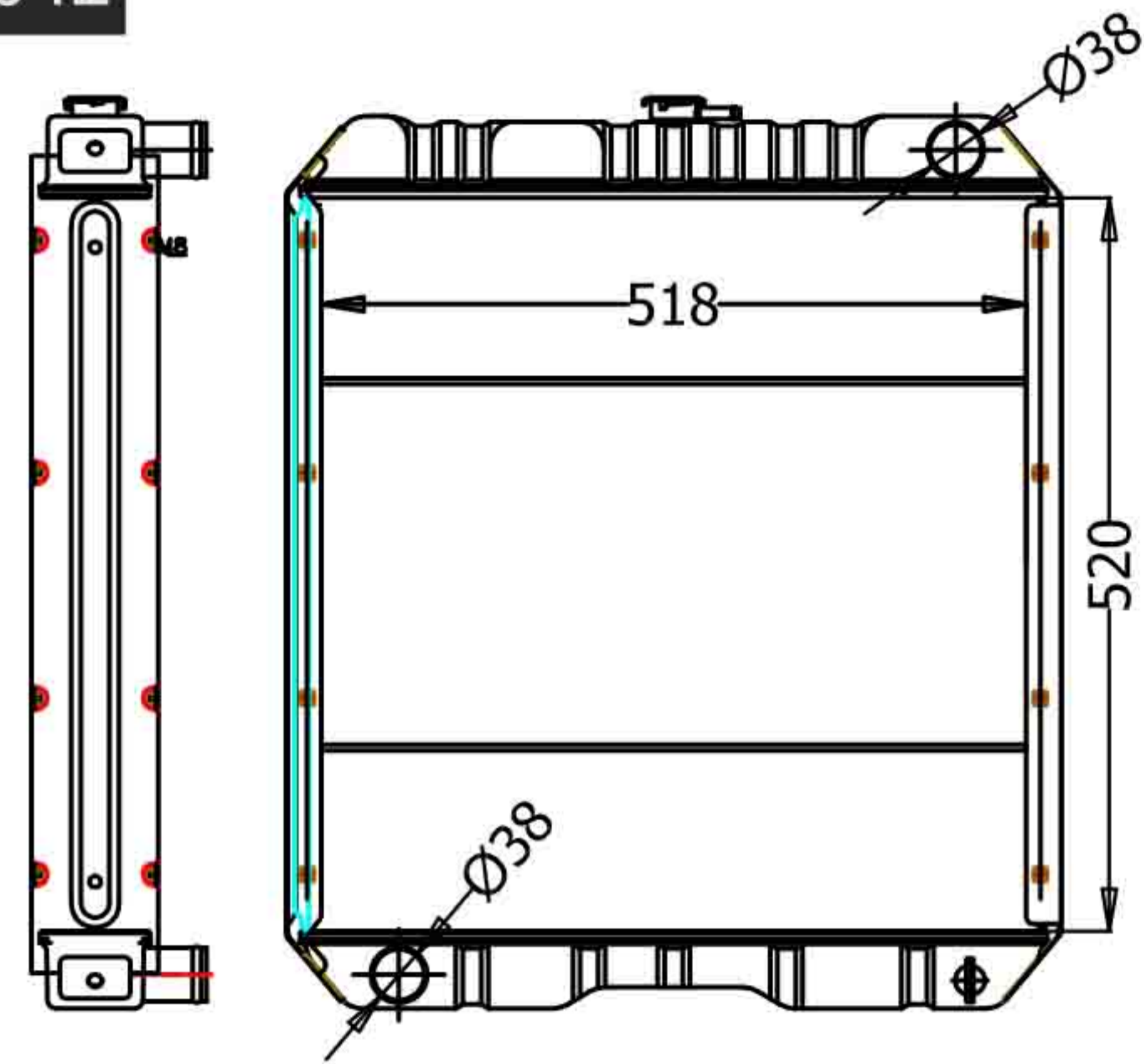
CARTYPE: ISUZU(515天皇不带压力阀) MT  
 CORE SIZE: BC 515\*458\*49 TANK SIZE: 490\*60  
 CARTON:  
 OEM:  
 DPI:

## IS-13041



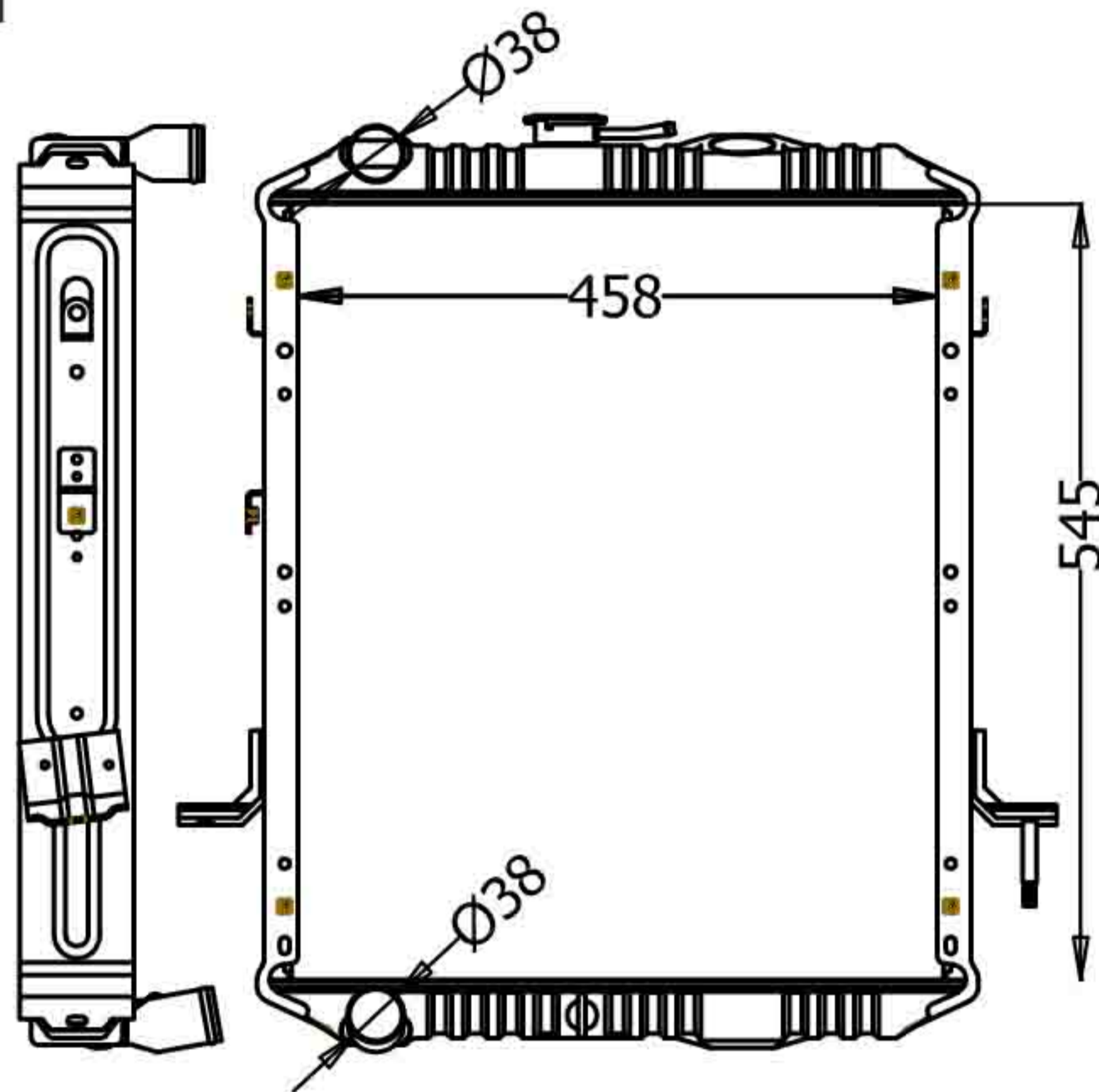
CARTYPE: ISUZU(奥铃4105) MT  
 CORE SIZE: BC 580\*518\*64 TANK SIZE: 528\*76  
 CARTON:  
 OEM:  
 DPI:

## IS-13042



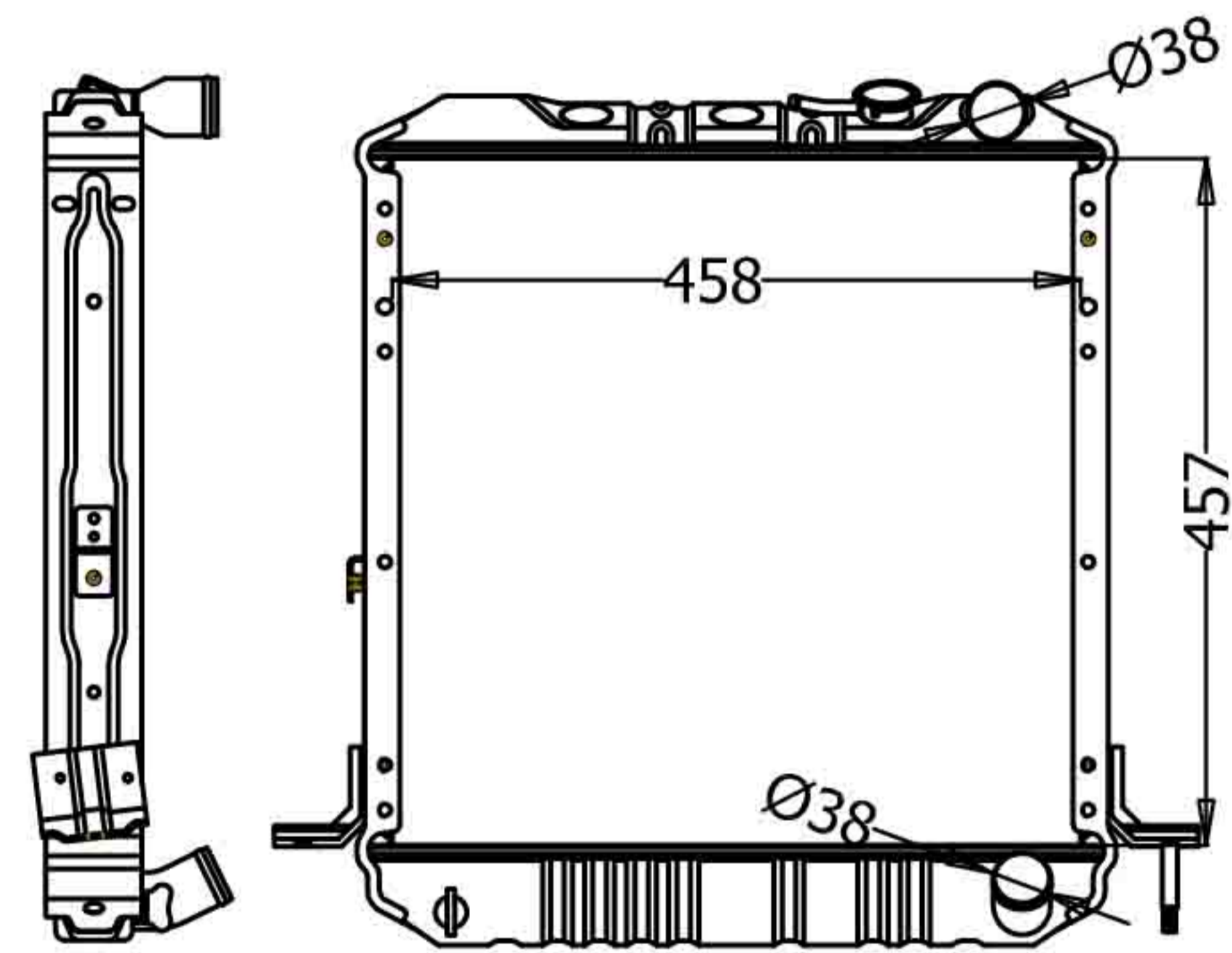
CARTYPE: ISUZU(奥铃4105) MT  
 CORE SIZE: BC 520\*518\*64 TANK SIZE: 528\*76  
 CARTON:  
 OEM:  
 DPI:

## IS-13043



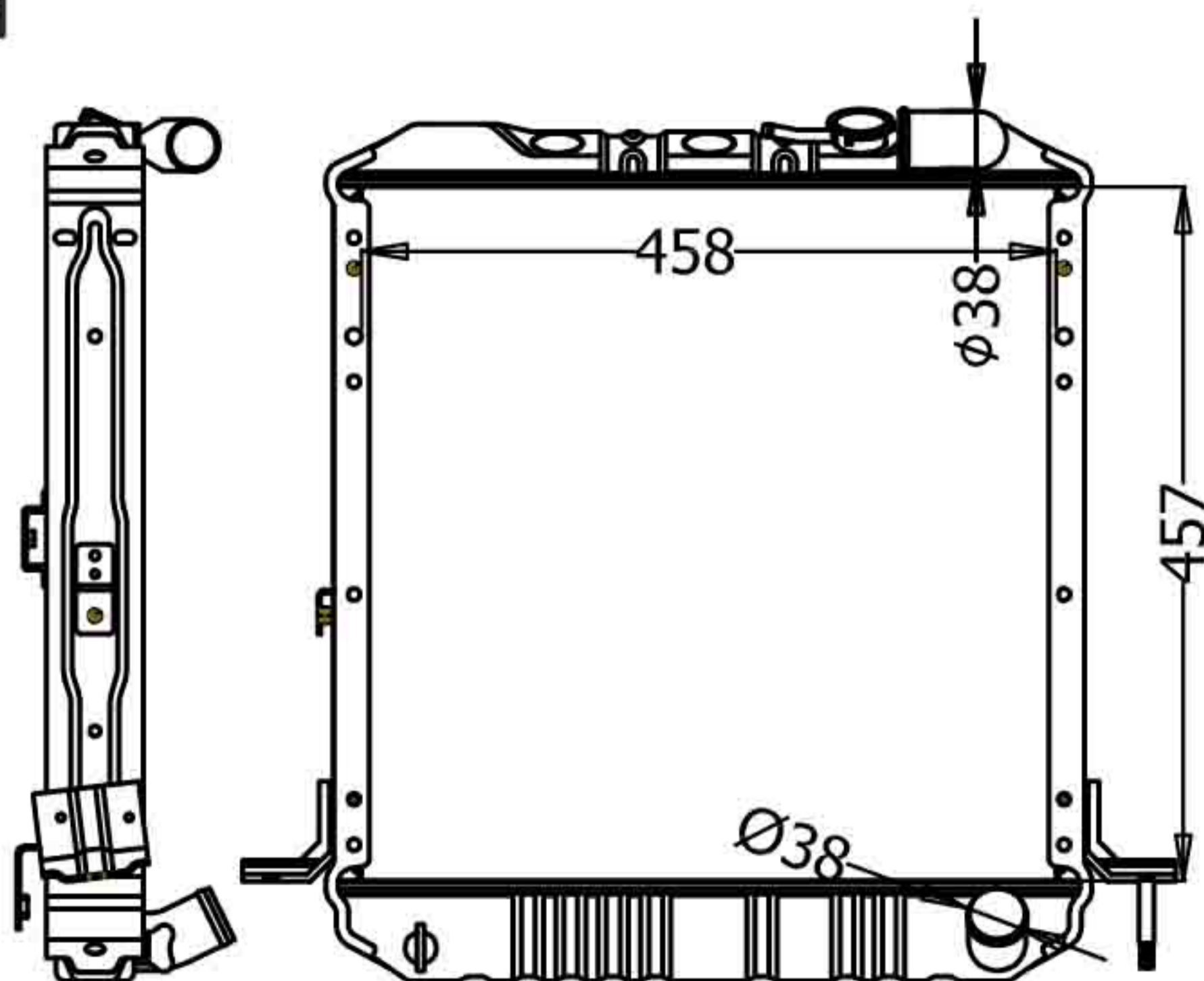
CARTYPE: ISUZU(改装545芯高五十铃) MT  
 CORE SIZE: BC 545x458x49 TANK SIZE: 490\*72  
 CARTON:  
 OEM:  
 DPI:

## IS-13044



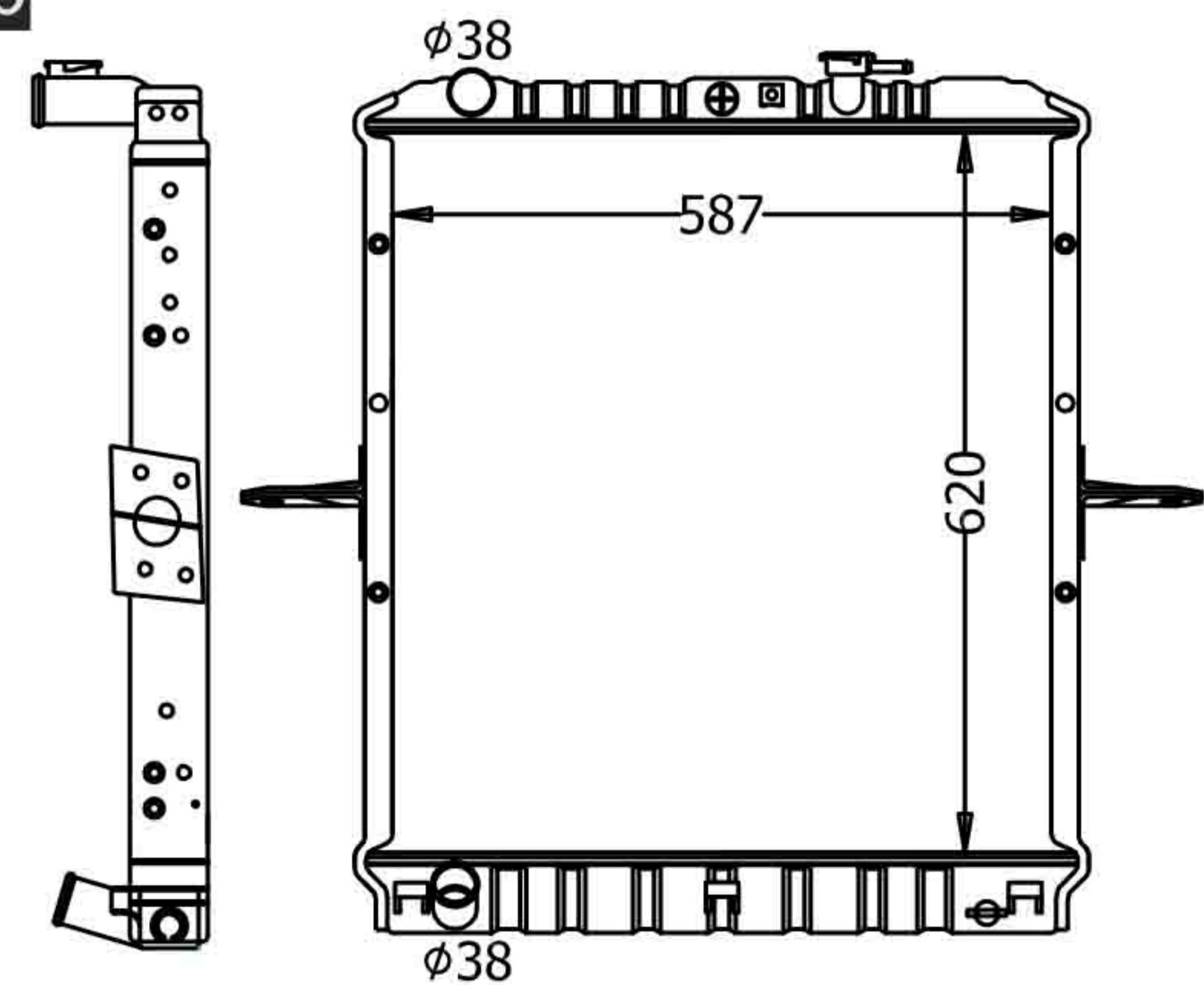
CARTYPE: ISUZU(改装457芯高五十铃) MT  
 CORE SIZE: BC 457x458x49 TANK SIZE: 490\*72  
 CARTON:  
 OEM:  
 DPI:

## IS-13045



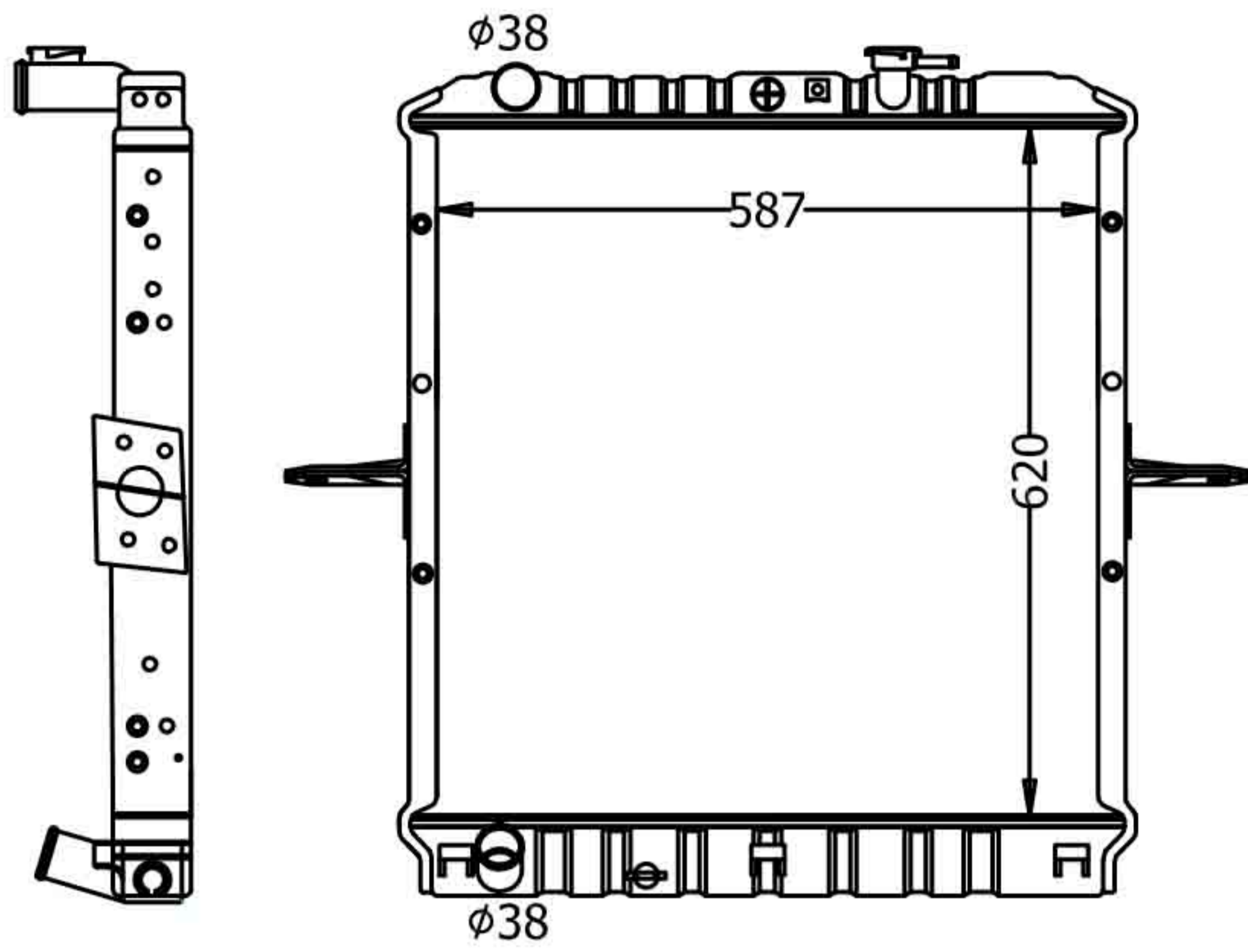
CARTYPE: ISUZU 100P (天皇五十铃) MT  
 CORE SIZE: BC 457x458x32 TANK SIZE: 490\*60  
 CARTON: 635\*615\*150  
 OEM:  
 DPI:

## IS-13046



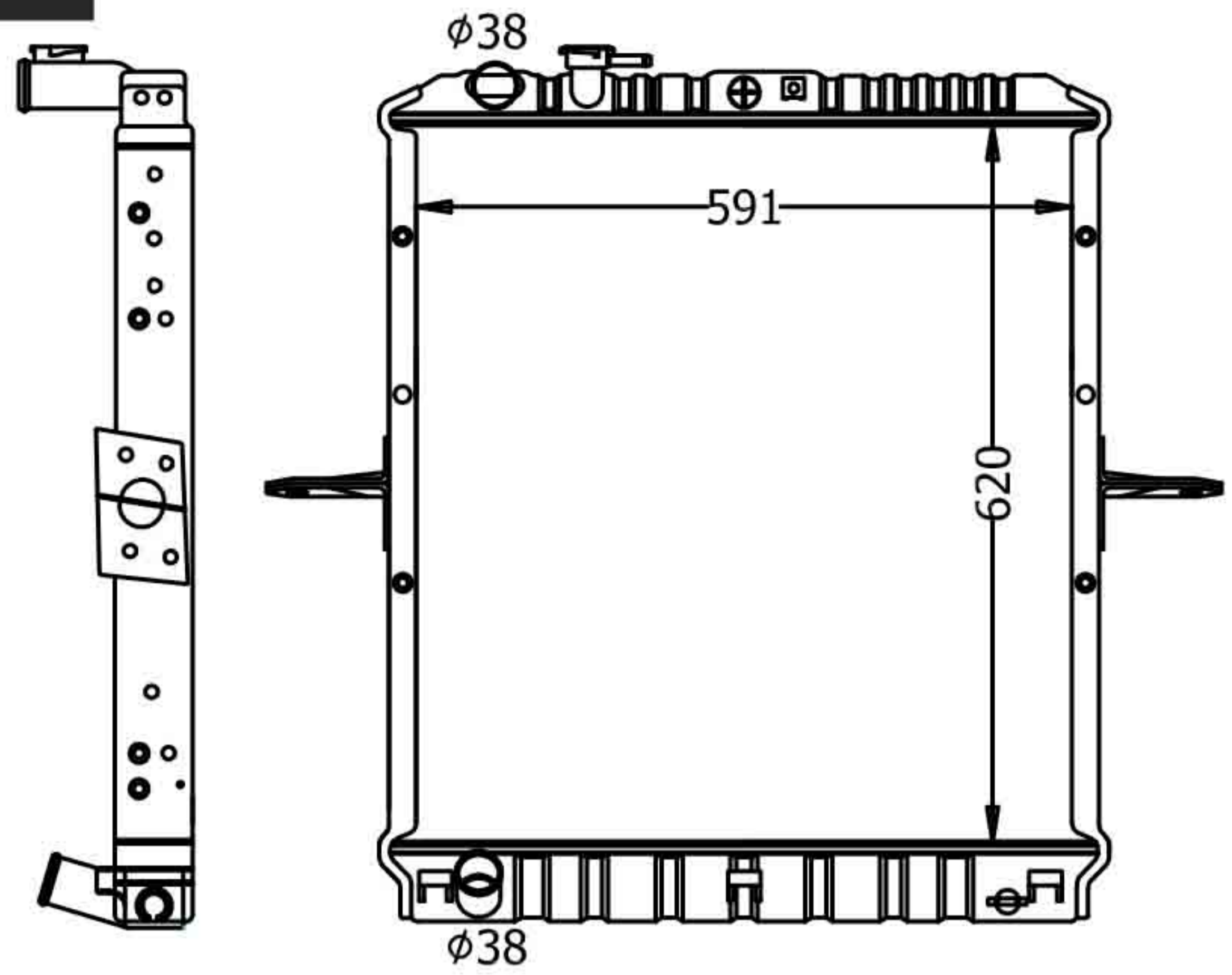
CARTYPE : N Series (03-05) GMC W Series Diesel(03-05)  
 CORE SIZE : BC :620×587×32 TANK SIZE :572\*60  
 CARTON :  
 OEM :  
 DPI :

## IS-13047



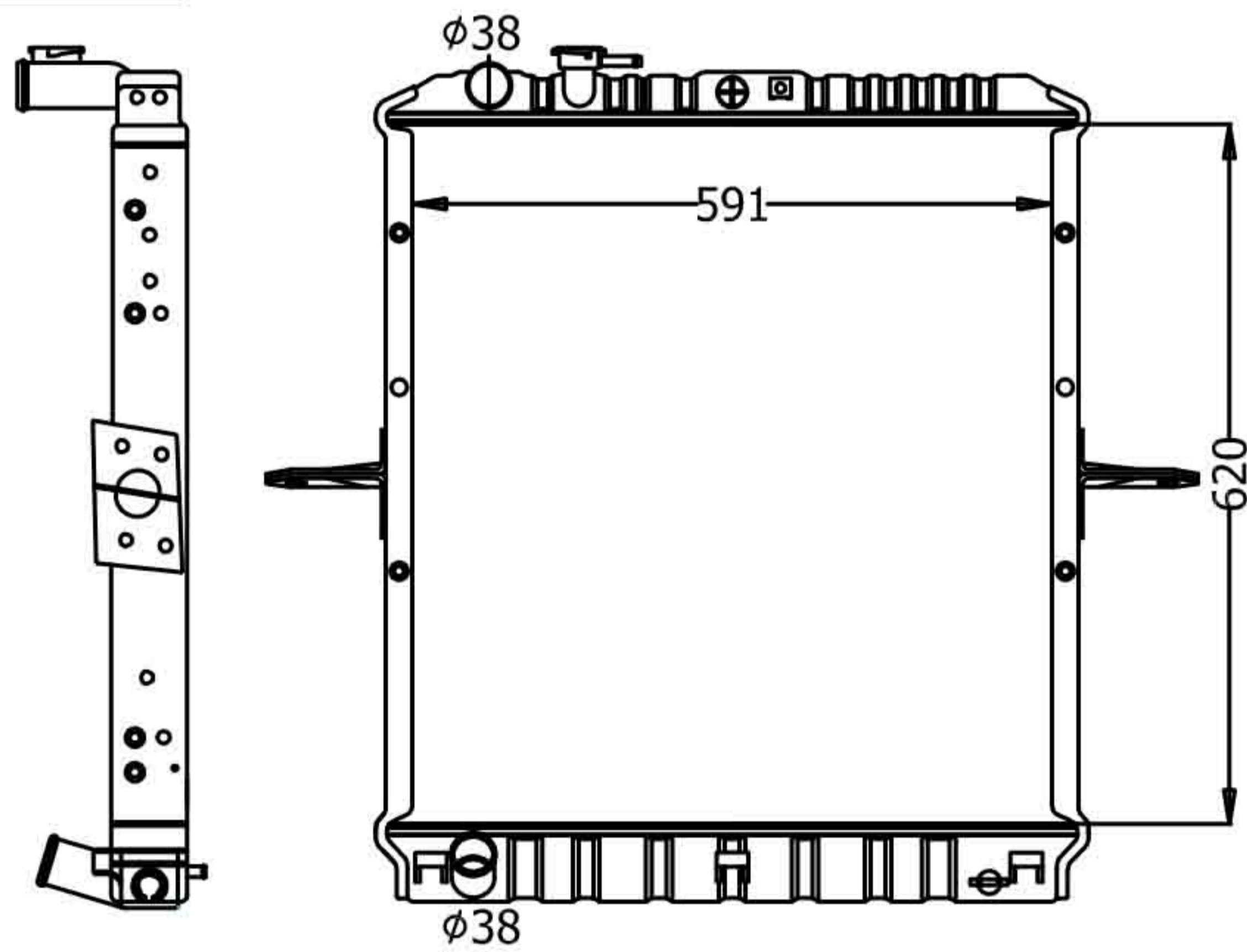
CARTYPE : 6.8T(06-) (一路发)  
 CORE SIZE : BC:620×587×48 TANK SIZE :572\*60  
 CARTON :  
 OEM :  
 DPI :

## IS-13048



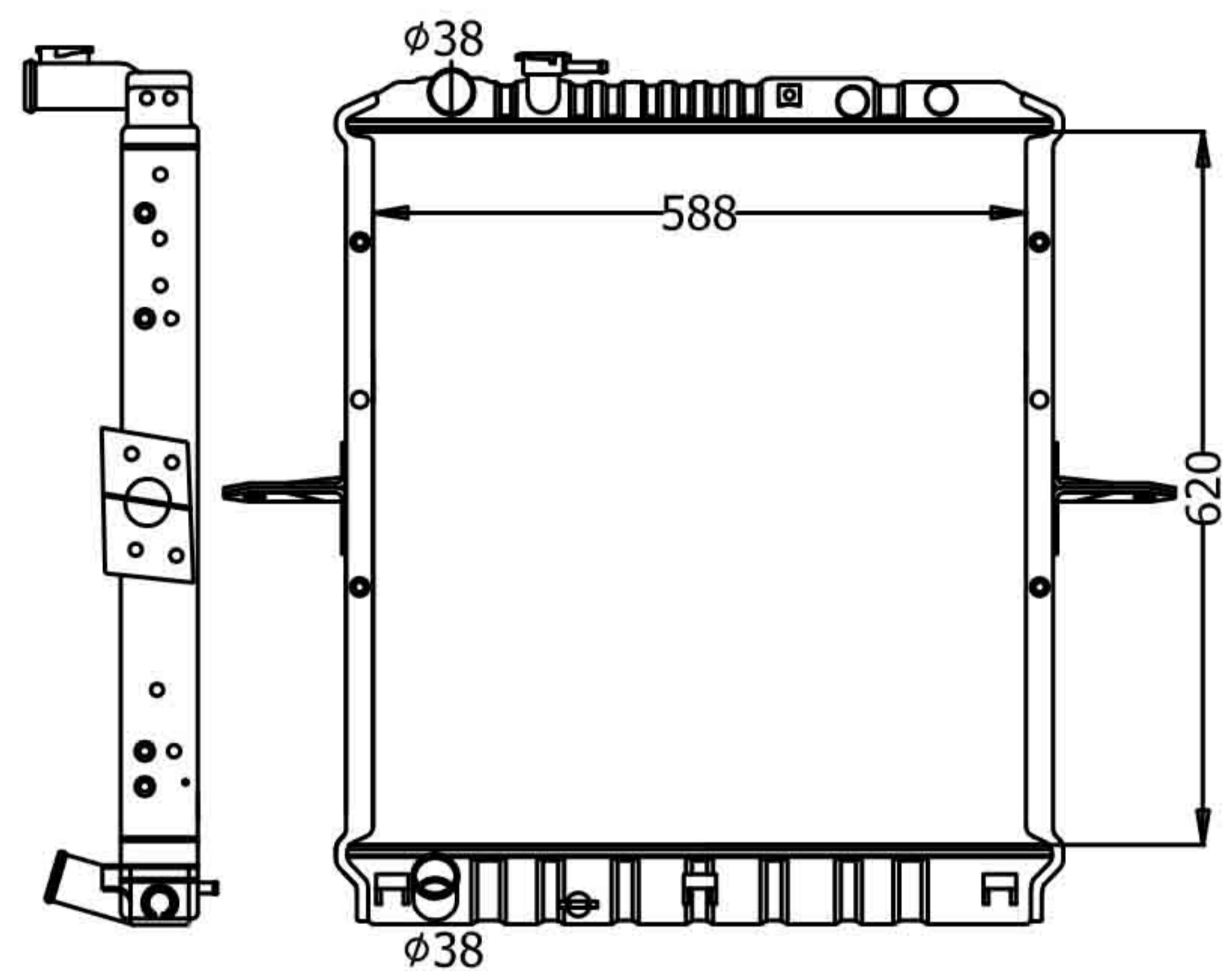
CARTYPE : ELF MT  
 CORE SIZE : BC :620×591×32/48 TANK SIZE :572\*60  
 CARTON :  
 OEM :  
 DPI :

## IS-13049



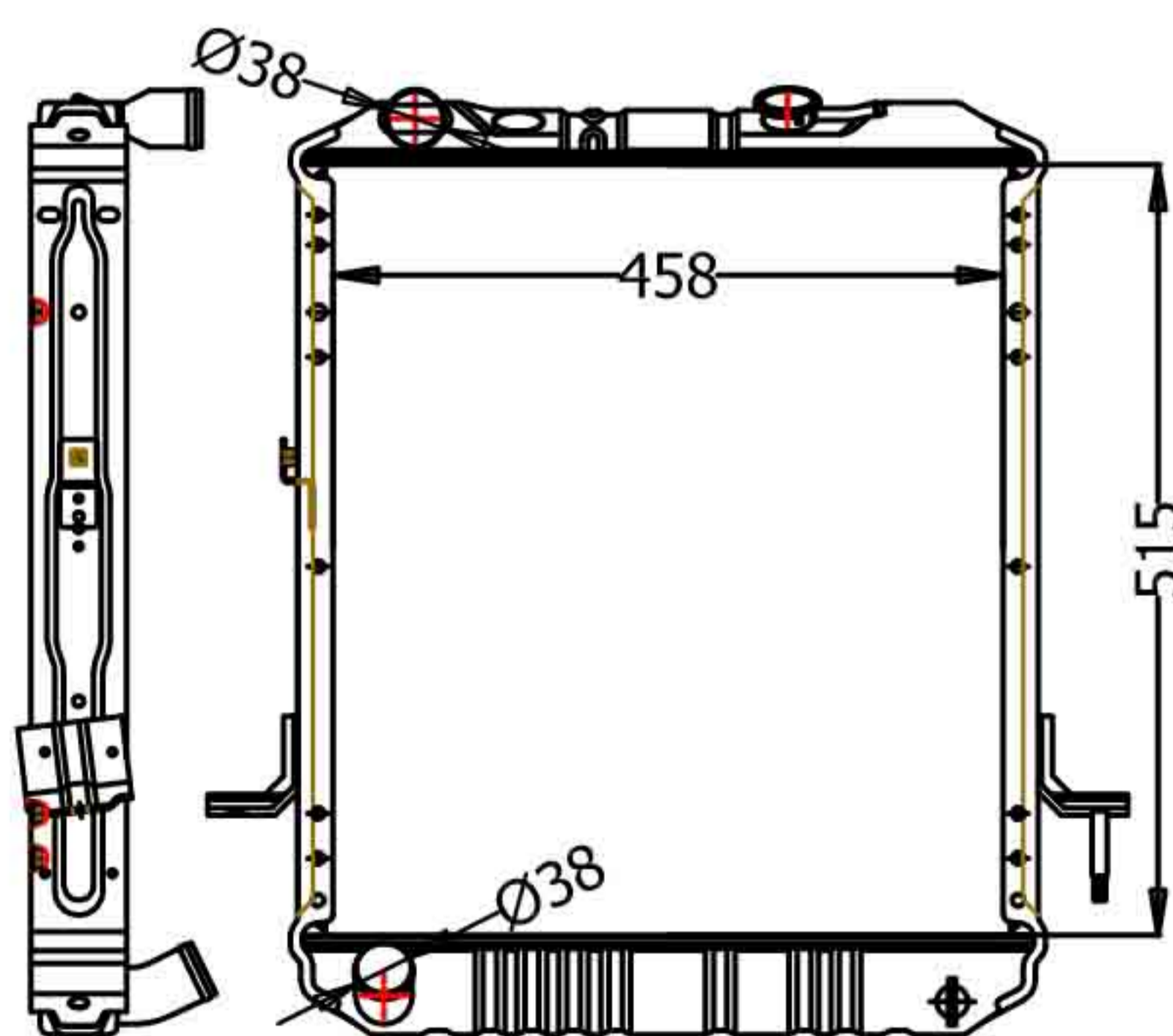
CARTYPE : ELF MT  
 CORE SIZE : BC :620×591×32/48 TANK SIZE :572\*60  
 CARTON :  
 OEM :  
 DPI :

## IS-13050



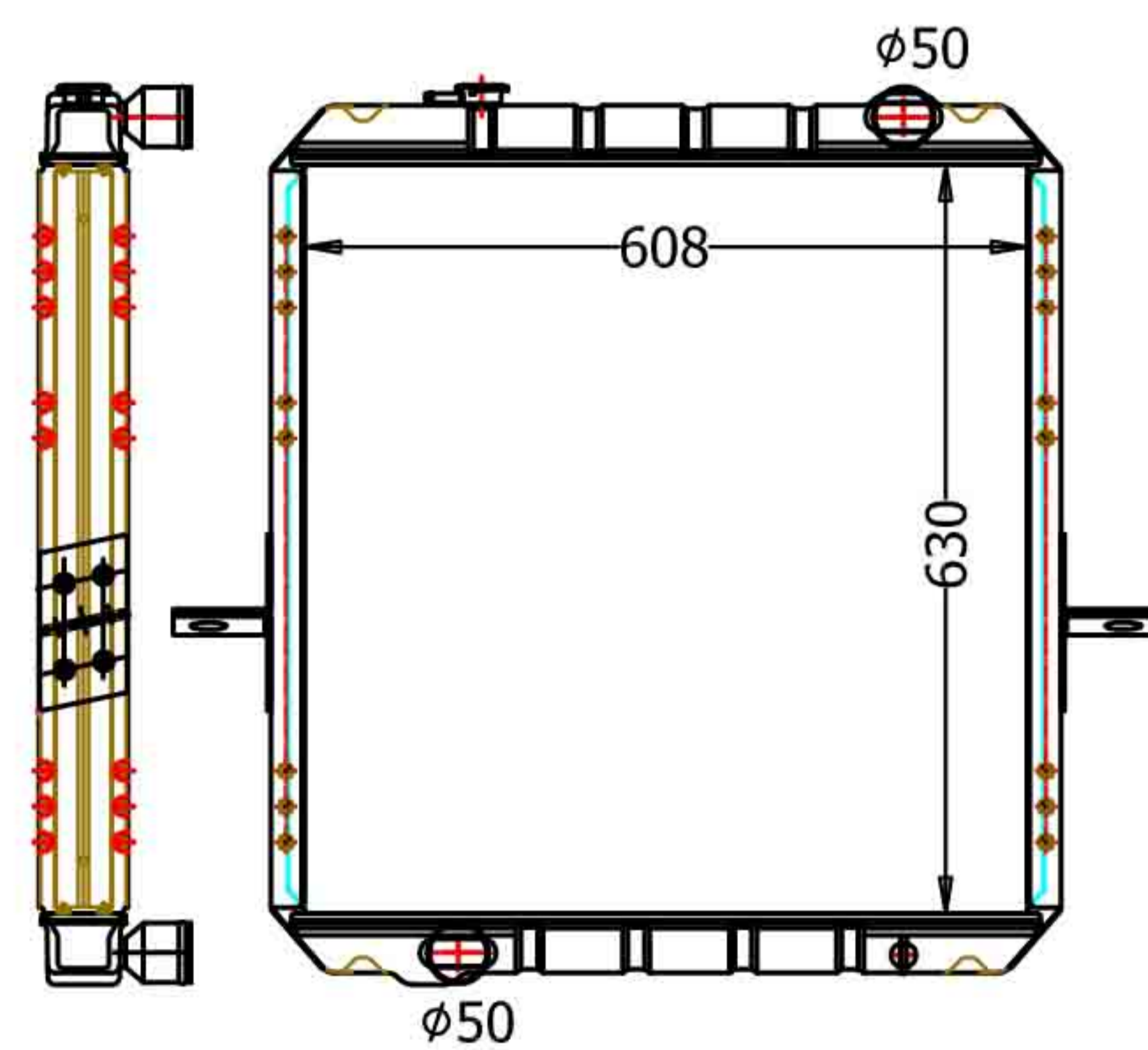
CARTYPE : NPR '09  
 CORE SIZE :BC :620×588×32/48 TANK SIZE :572\*60  
 CARTON :  
 OEM :  
 DPI :

## IS-13051



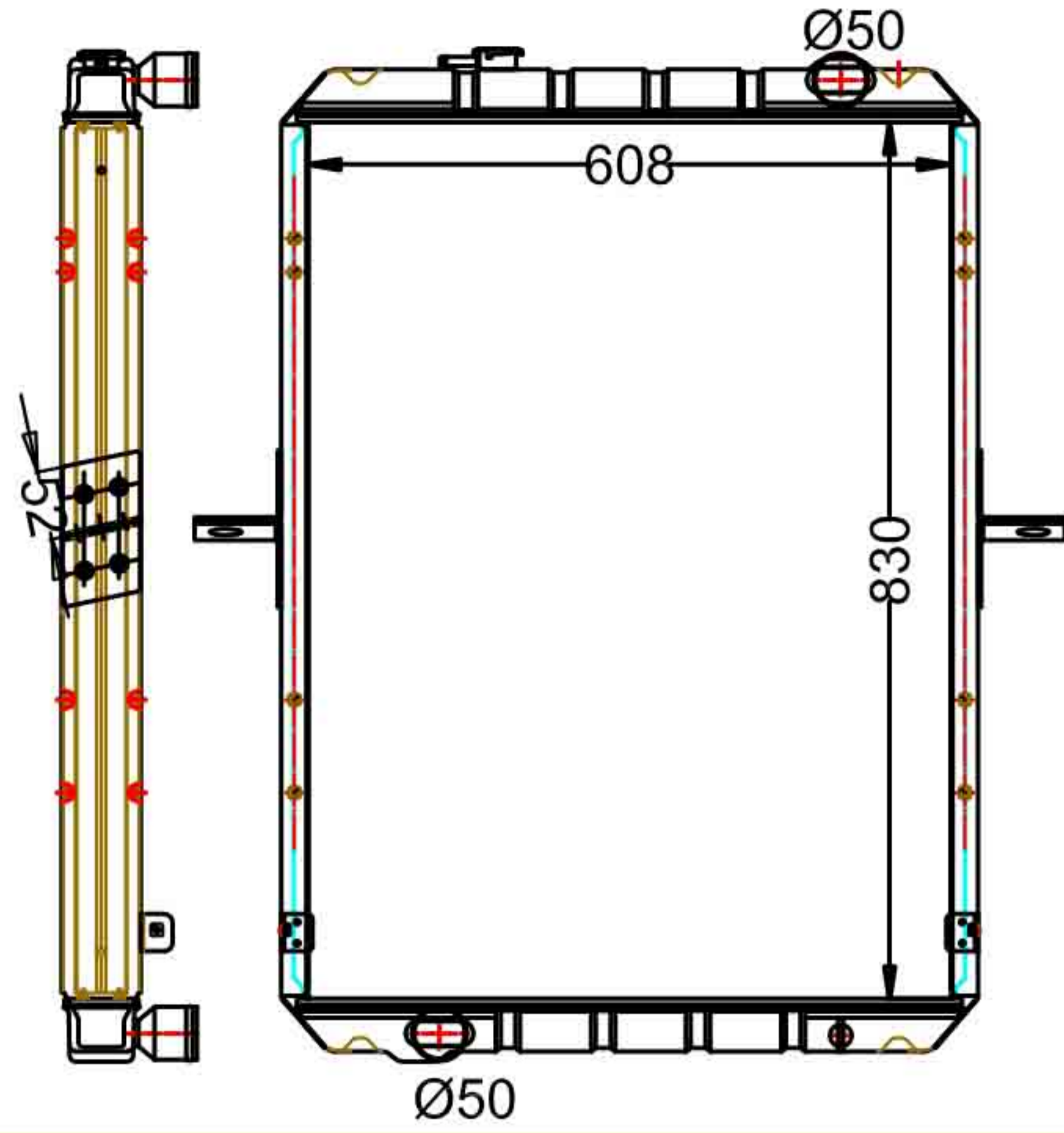
CARTYPE: ISUZU(五十铃) MT  
 CORE SIZE: BC 515\*458\*49 TANK SIZE: 490\*60  
 CARTON:  
 OEM:  
 DPI:

## IS-13052



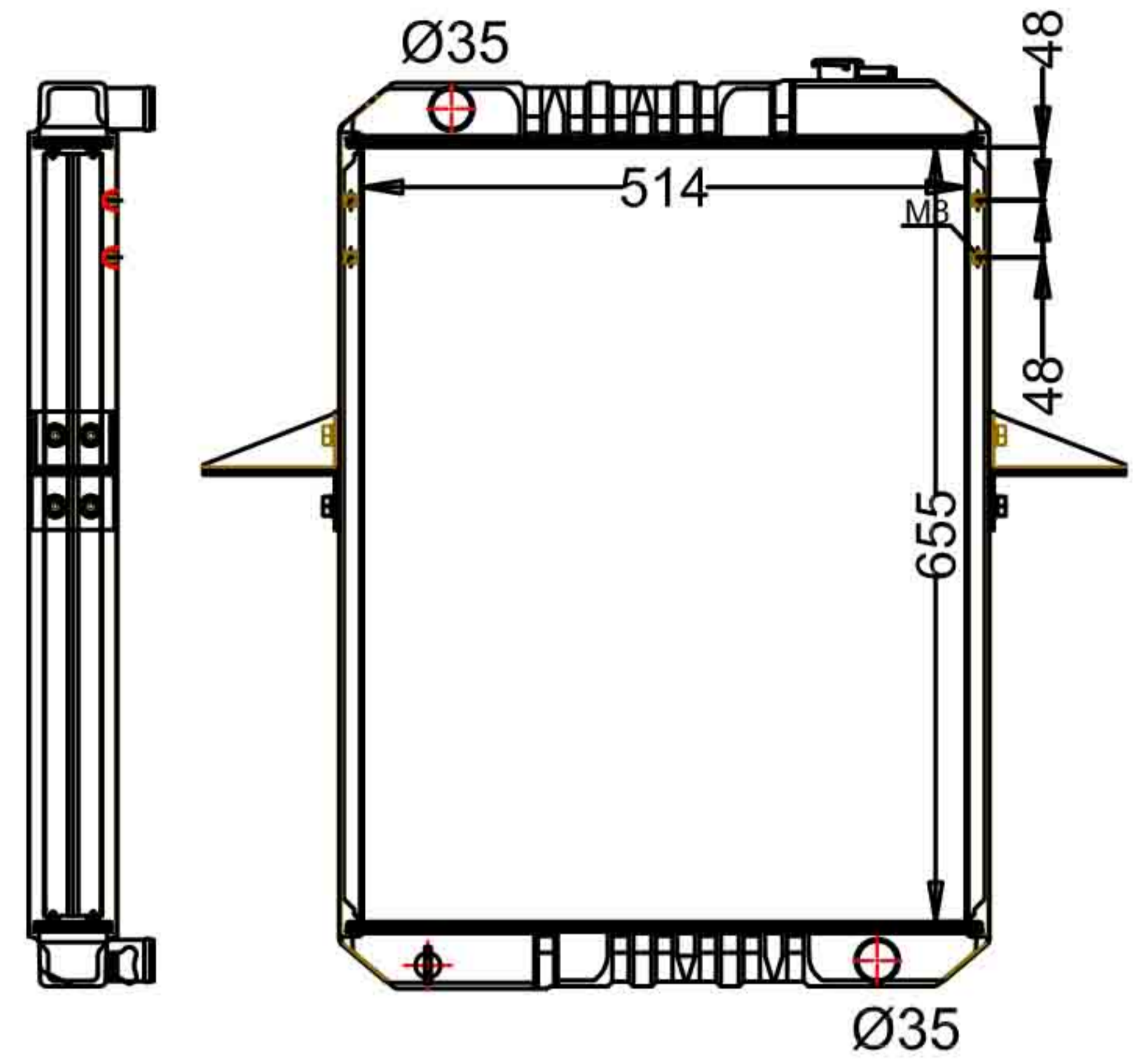
CARTYPE: FTR MT  
 CORE SIZE: BC 630\*608\*49 TANK SIZE: 630\*69  
 CARTON:  
 OEM:  
 DPI:

**IS-13053**



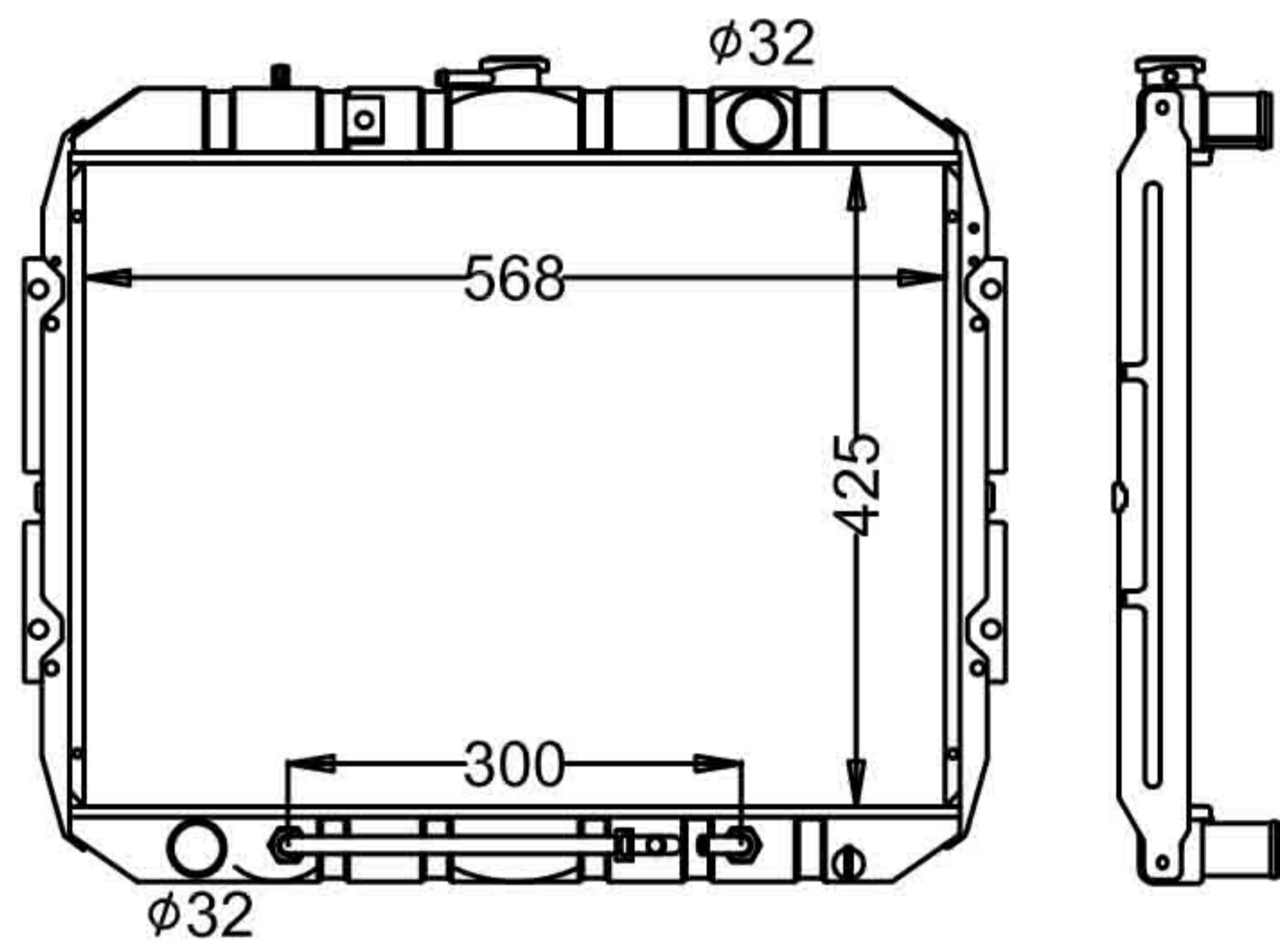
CARTYPE: FVZ MT  
 CORE SIZE: BC 830\*608\*49 TANK SIZE: 630\*69  
 CARTON:  
 OEM:  
 DPI:

**IS-13054**



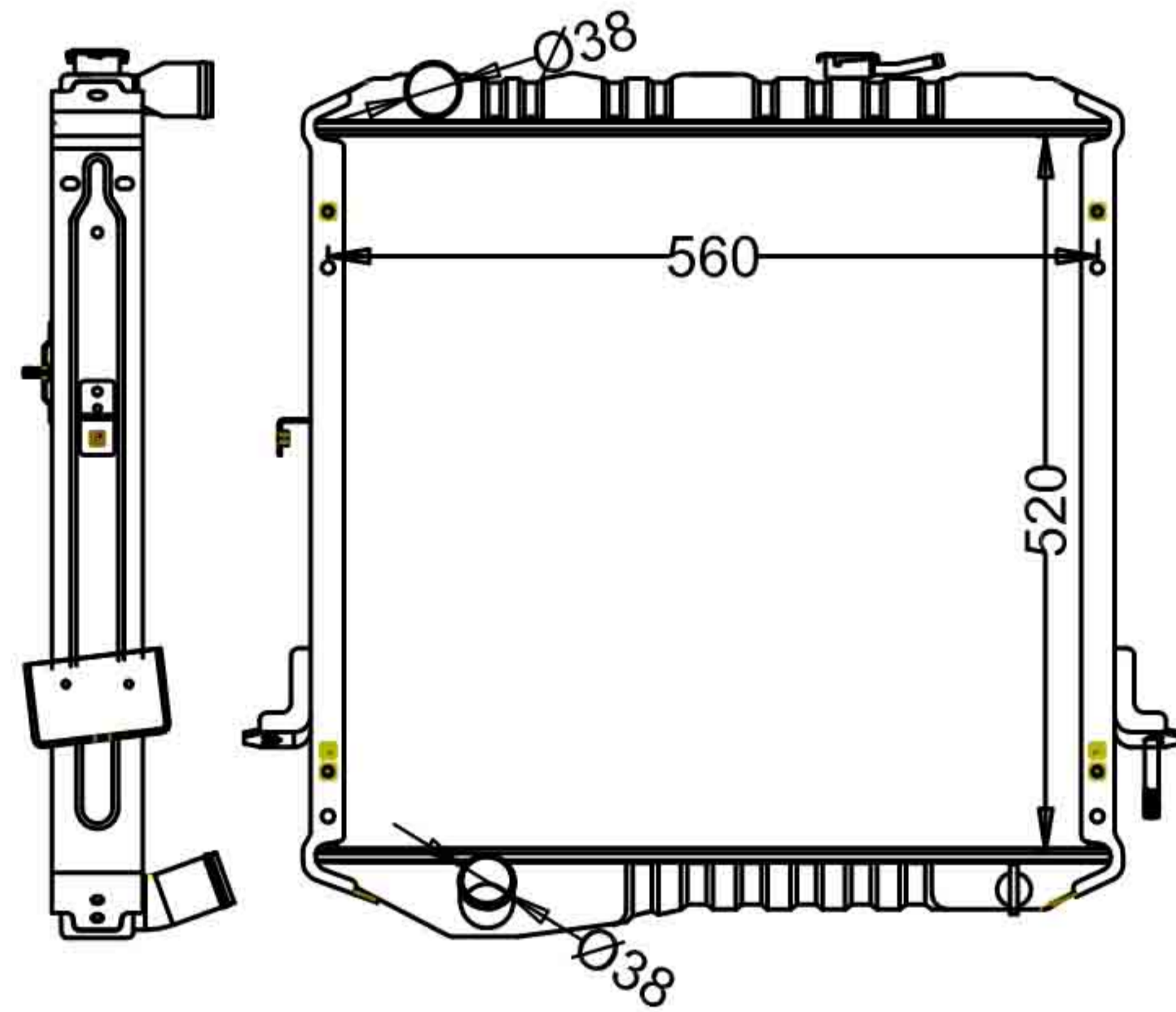
CARTYPE: MT  
 CORE SIZE: BC:655\*514\*49 TANK SIZE:535\*65  
 CARTON:  
 OEM:  
 DPI:

**IS-13055**



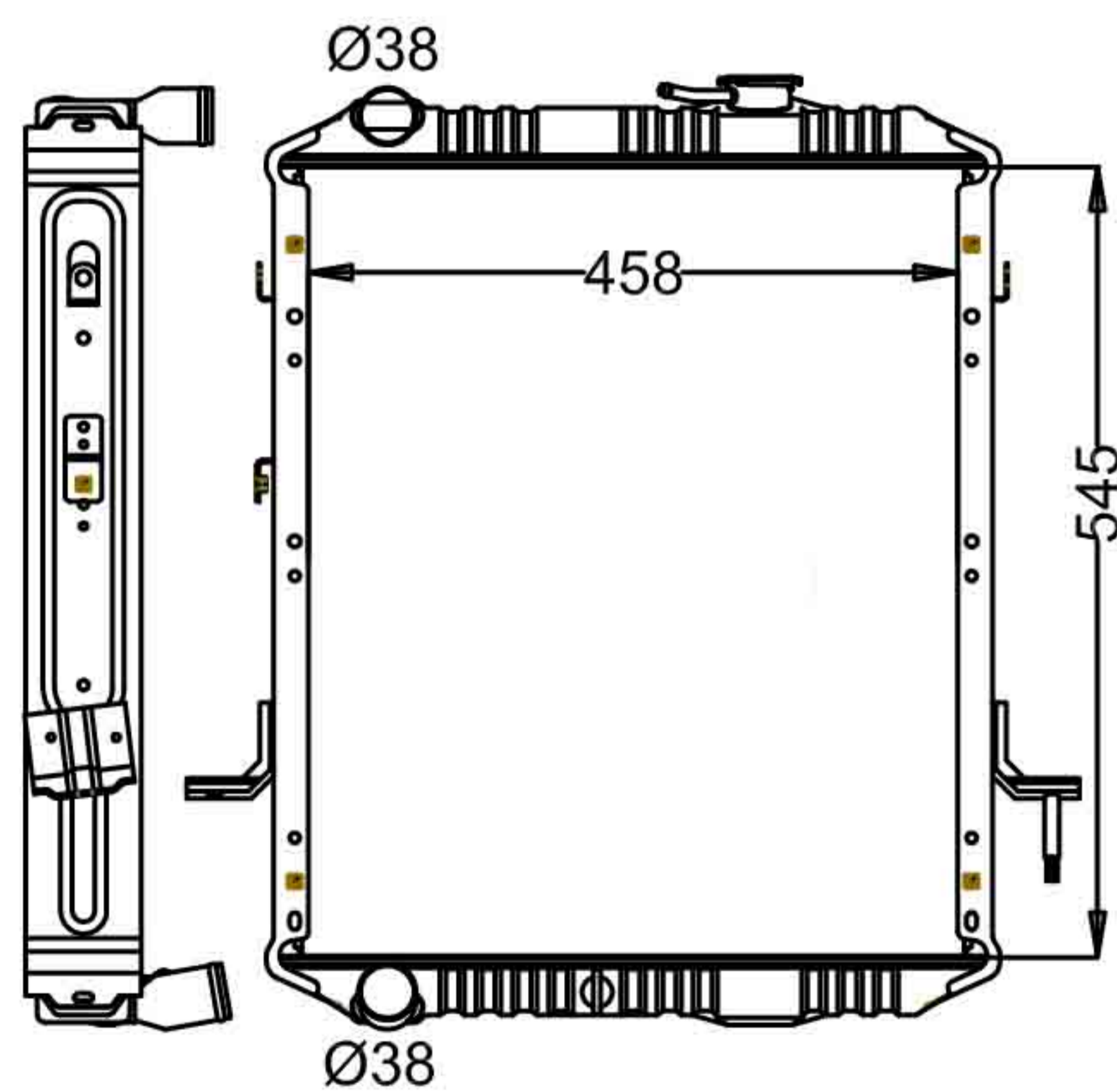
CARTYPE: ISUZU TRUCK(五十铃皮卡) MTM  
 CORE SIZE: BC :425\*568\*32 TANK SIZE :  
 CARTON:  
 OEM:  
 DPI:

**IS-13056**



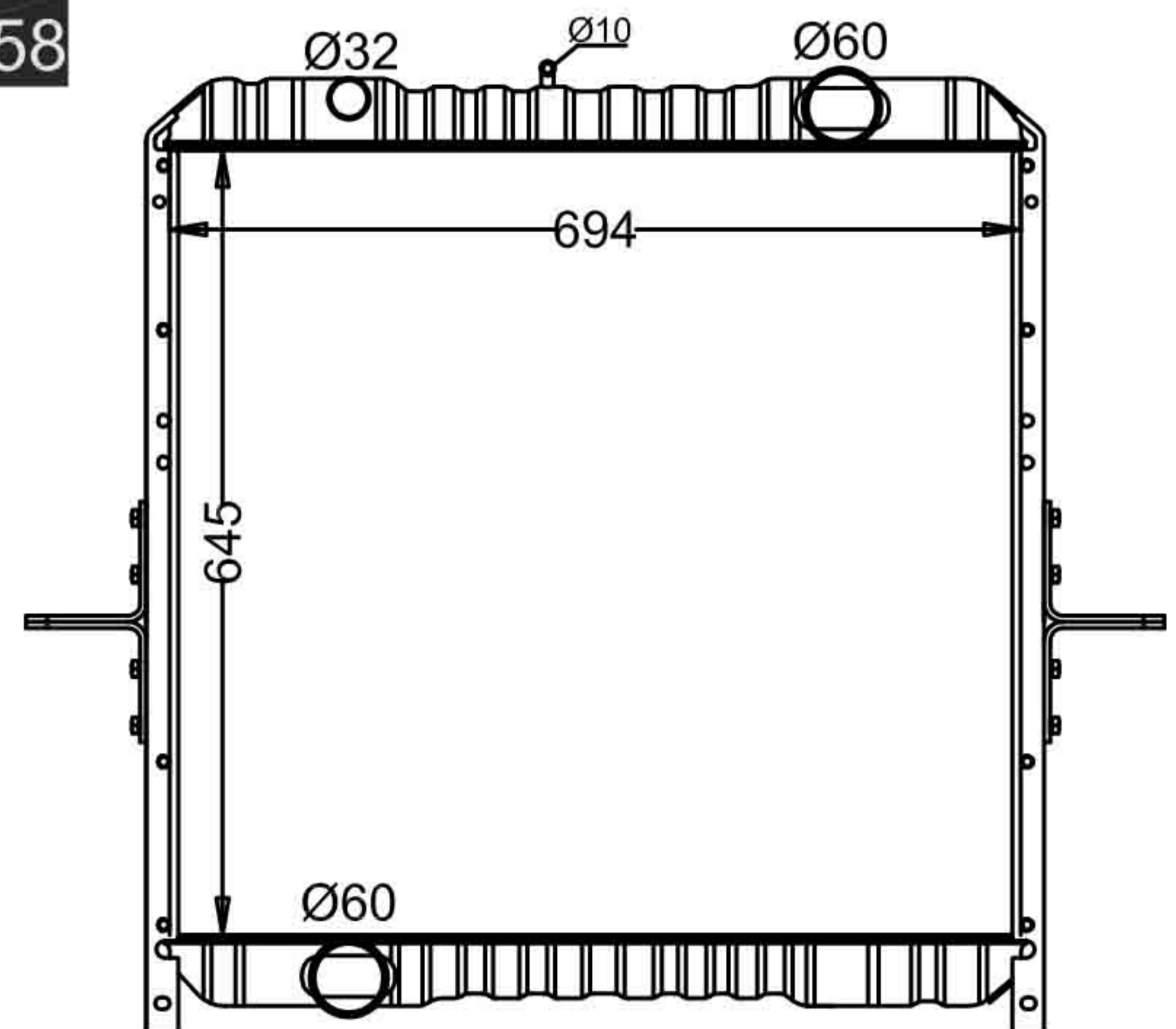
CARTYPE: ISUZU 4HG1-T,4HE1T MT  
 CORE SIZE: BC 520\*560\*32 TANK SIZE: 572\*60  
 CARTON:  
 OEM: 8-97177193-1  
 DPI:

**IS-13057**



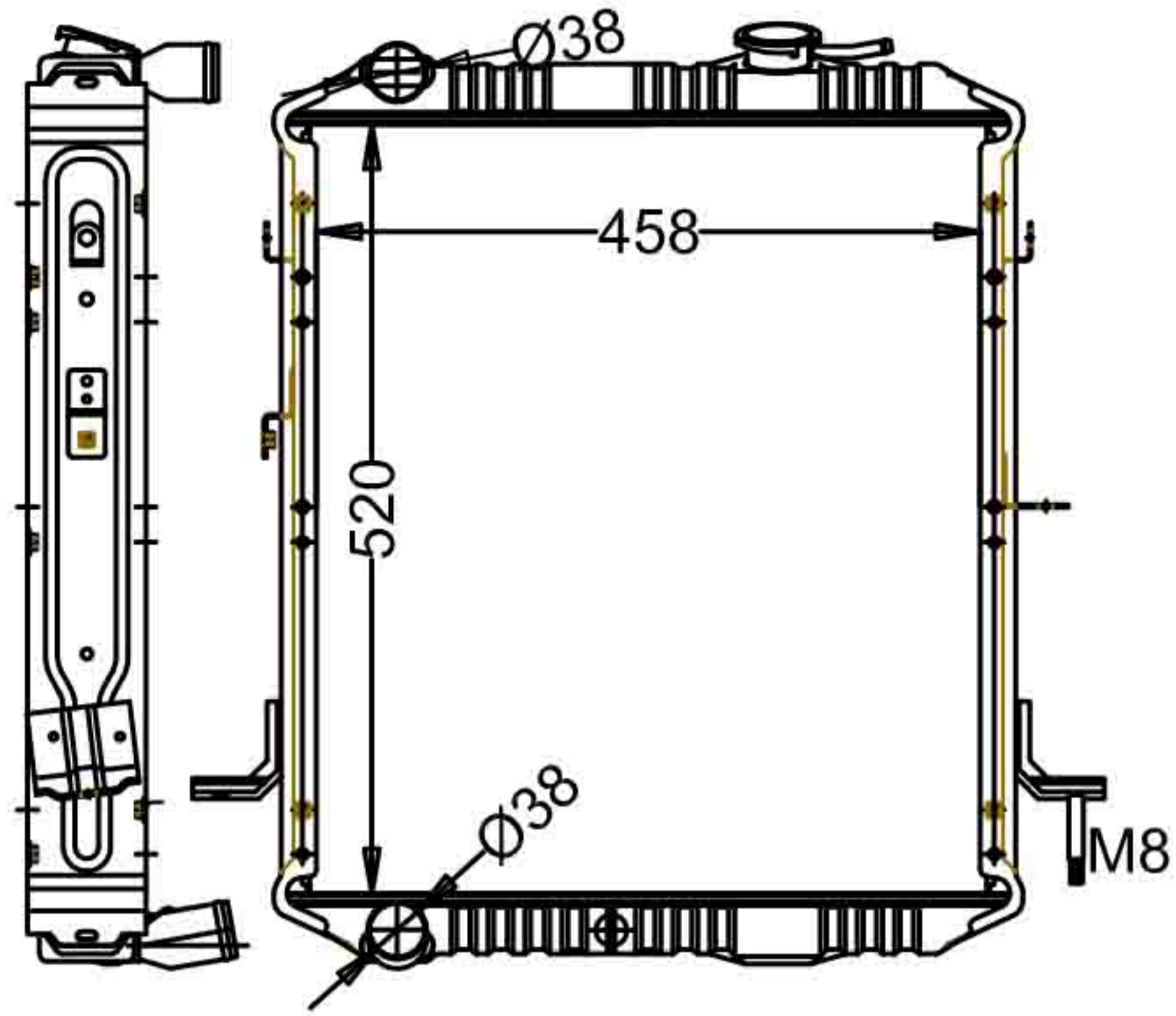
CARTYPE: ISUZU(545芯高原装五十铃) MT  
 CORE SIZE: BC 545x458x49 TANK SIZE: 490\*72  
 CARTON:  
 OEM:  
 DPI:

**IS-13058**



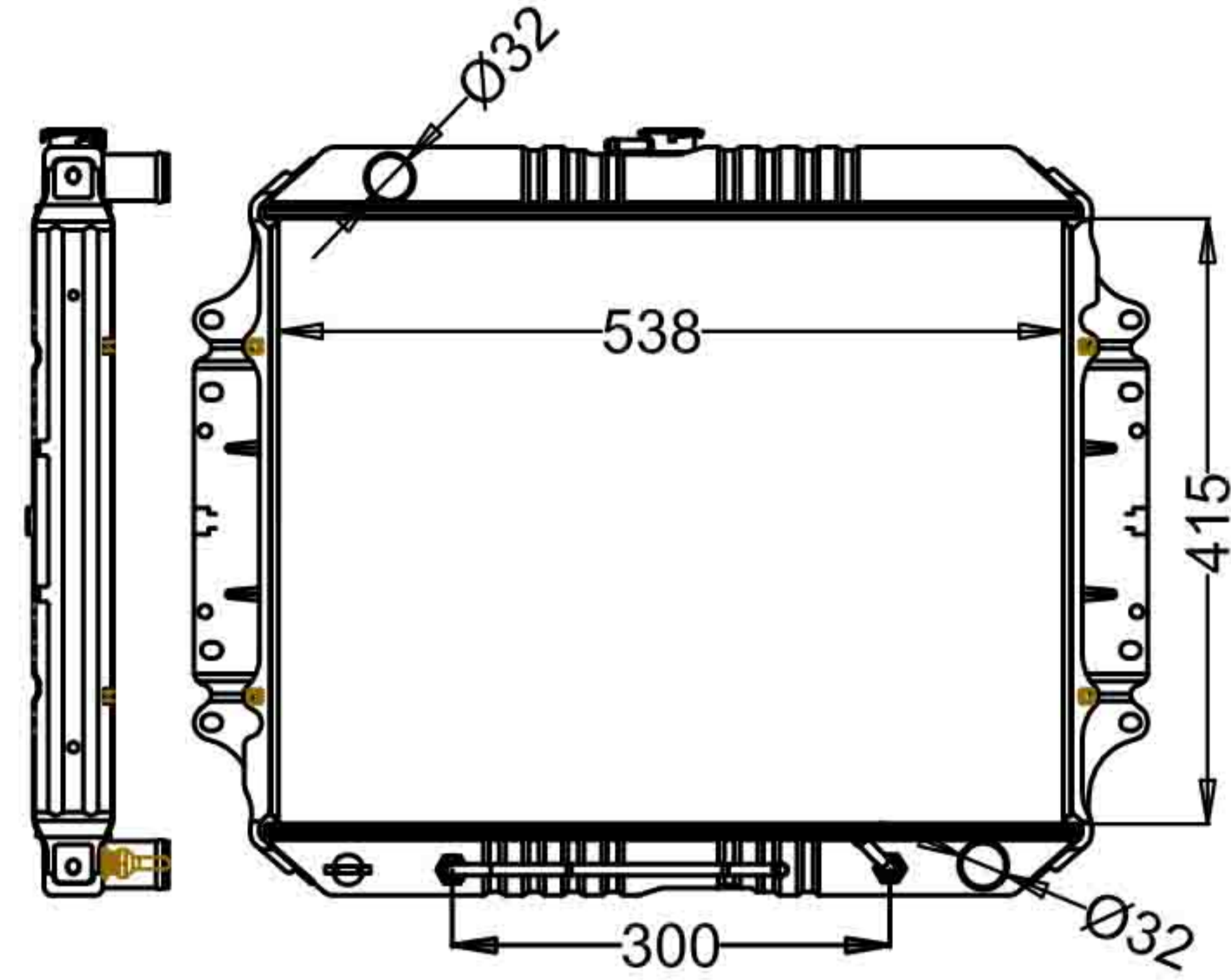
CARTYPE: CXZ 19/CXM71 86-94 MT  
 CORE SIZE: BC 645\*694\*48 TANK SIZE:72\*698  
 CARTON:  
 OEM: 1-21410-555-0  
 DPI:

IS-13059



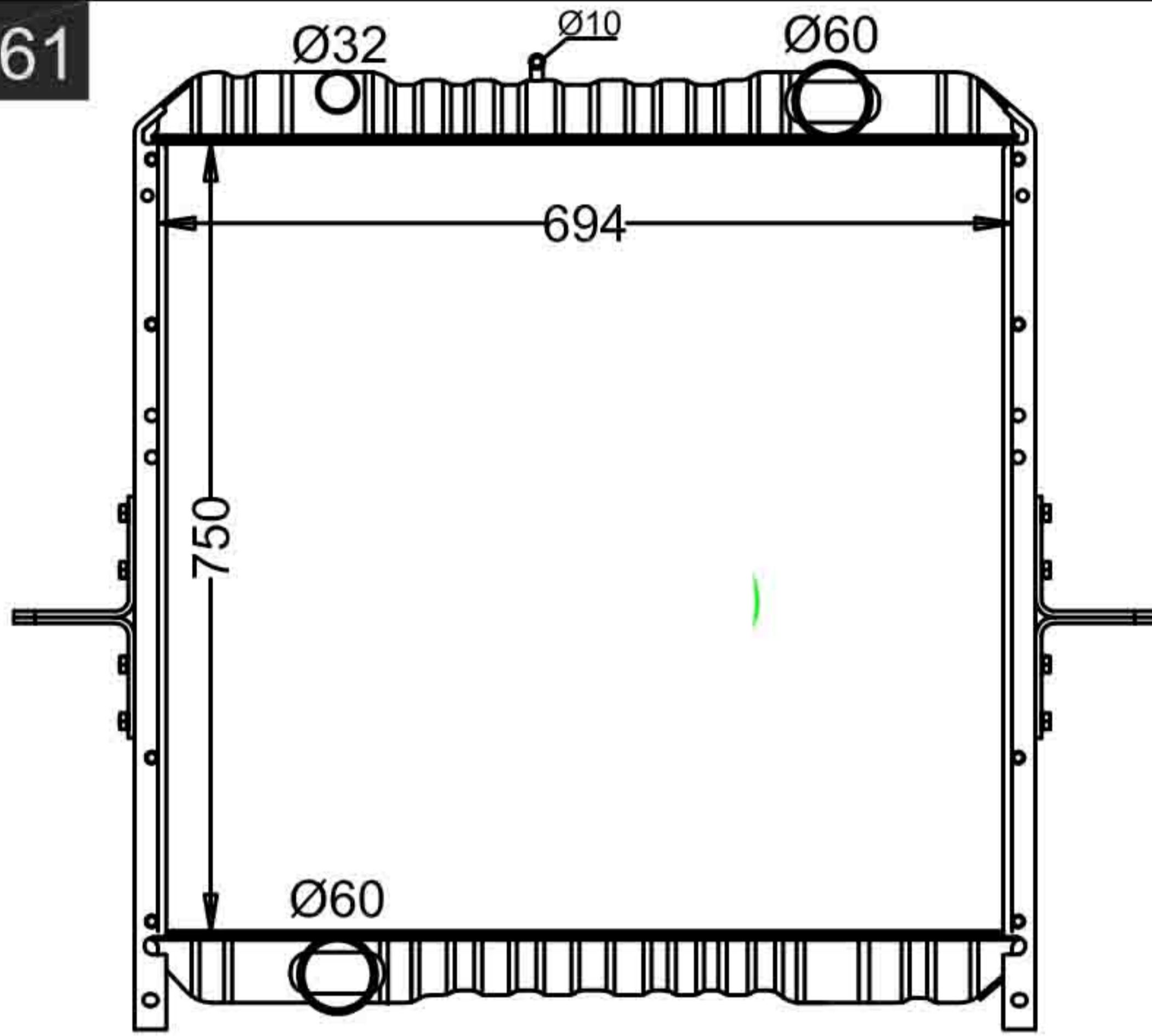
CARTYPE: ISUZU(原装五十铃) MT  
 CORE SIZE: BC 520\*458\*32 TANK SIZE: 490\*72  
 CARTON:  
 OEM:  
 DPI:

IS-13060



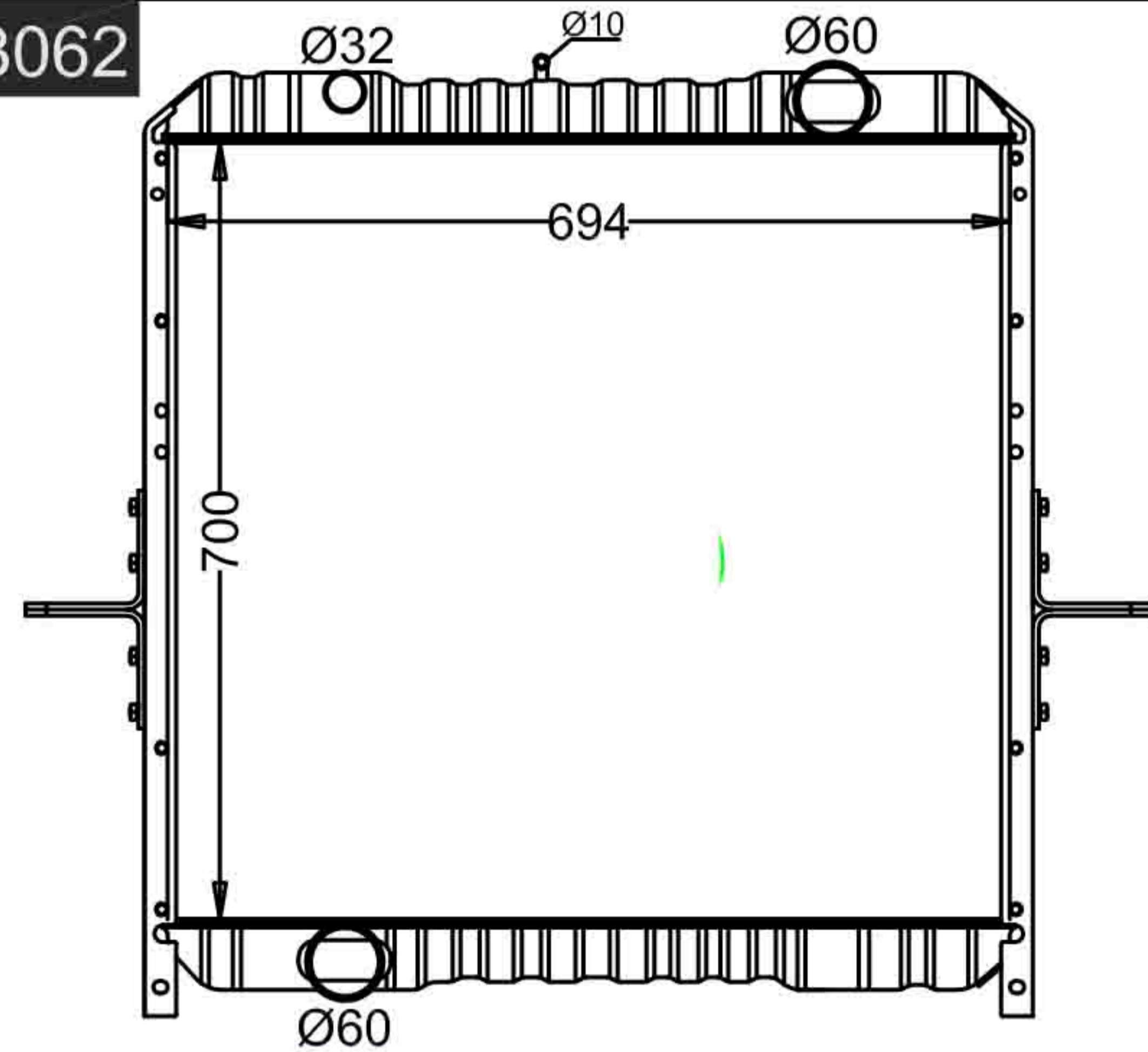
CARTYPE: ISUZU TFR (GAS) 柴油陆风/陆风 ATM  
 CORE SIZE: BC 415x538x16 TANK SIZE: 555\*48  
 CARTON: 675\*557\*110  
 OEM:  
 DPI:

IS-13061



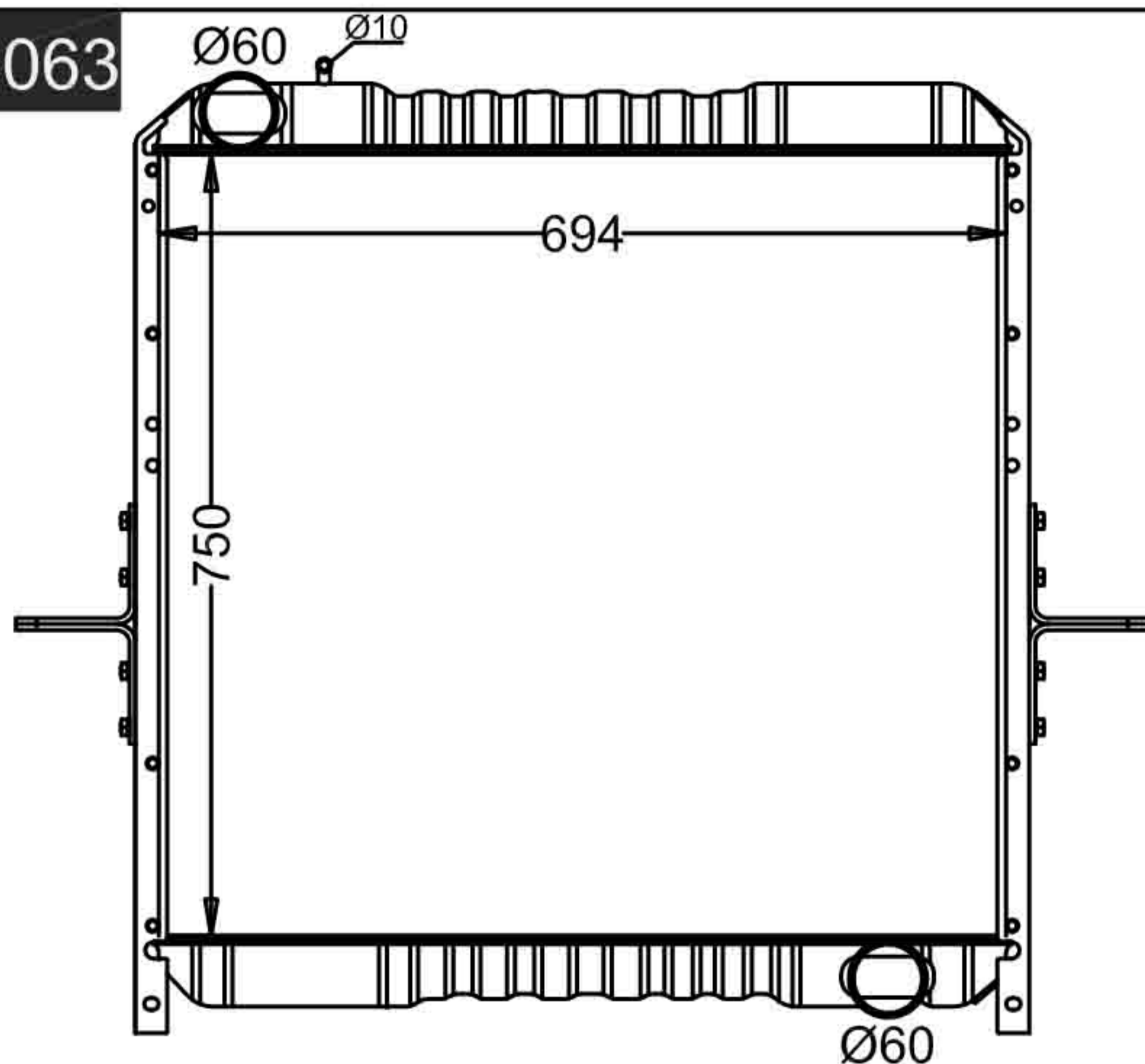
CARTYPE: CXZ 19/CXM71 86-94 MT  
 CORE SIZE: BC 750\*694\*48 TANK SIZE: 72\*698  
 CARTON:  
 OEM: 1-21410-727-0/685-1  
 DPI:

IS-13062



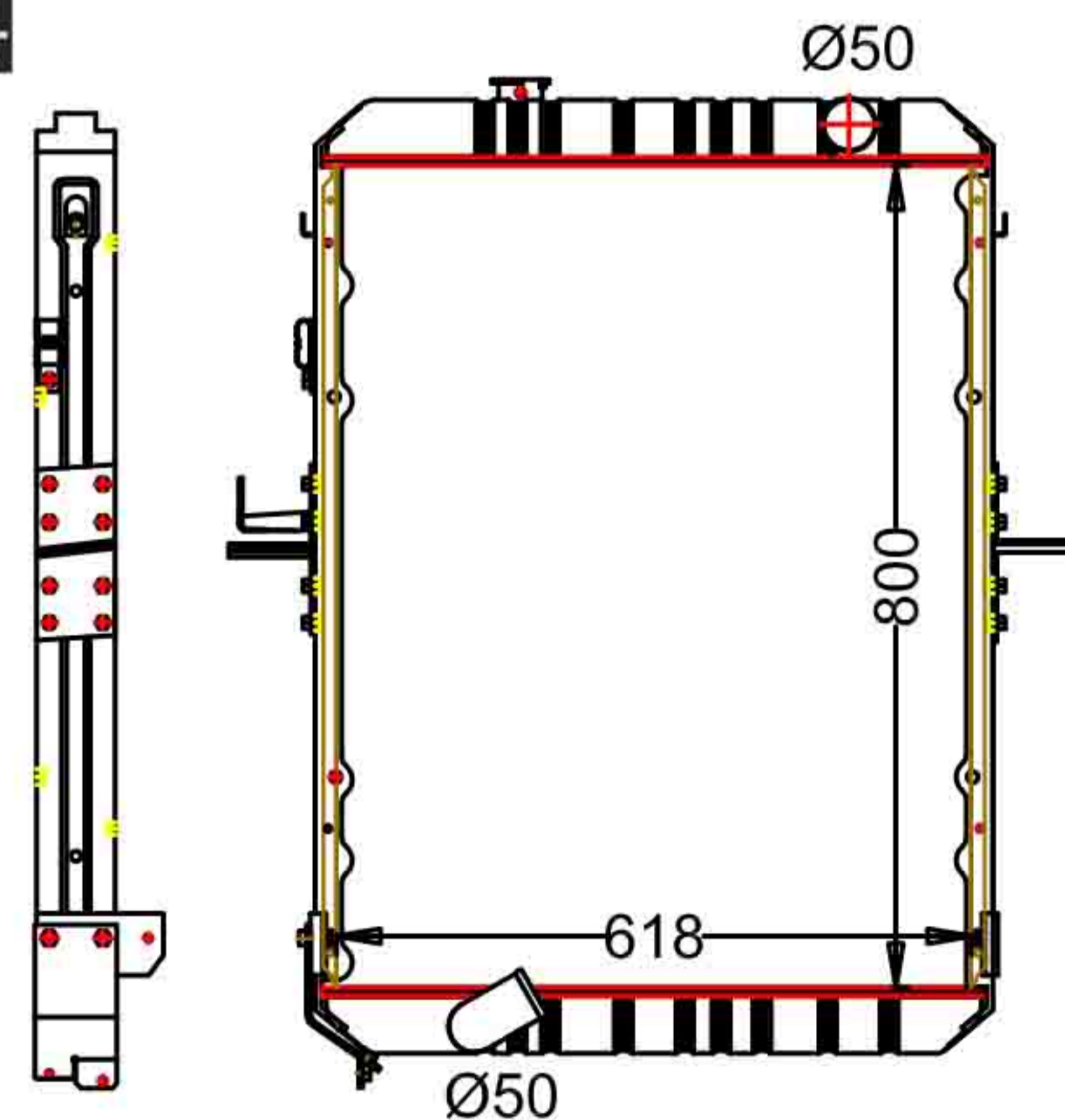
CARTYPE: CXZ 19/CXM71 86-94 MT  
 CORE SIZE: BC 700\*694\*48 TANK SIZE: 72\*698  
 CARTON:  
 OEM: 1-21410-633-0  
 DPI:

IS-13063



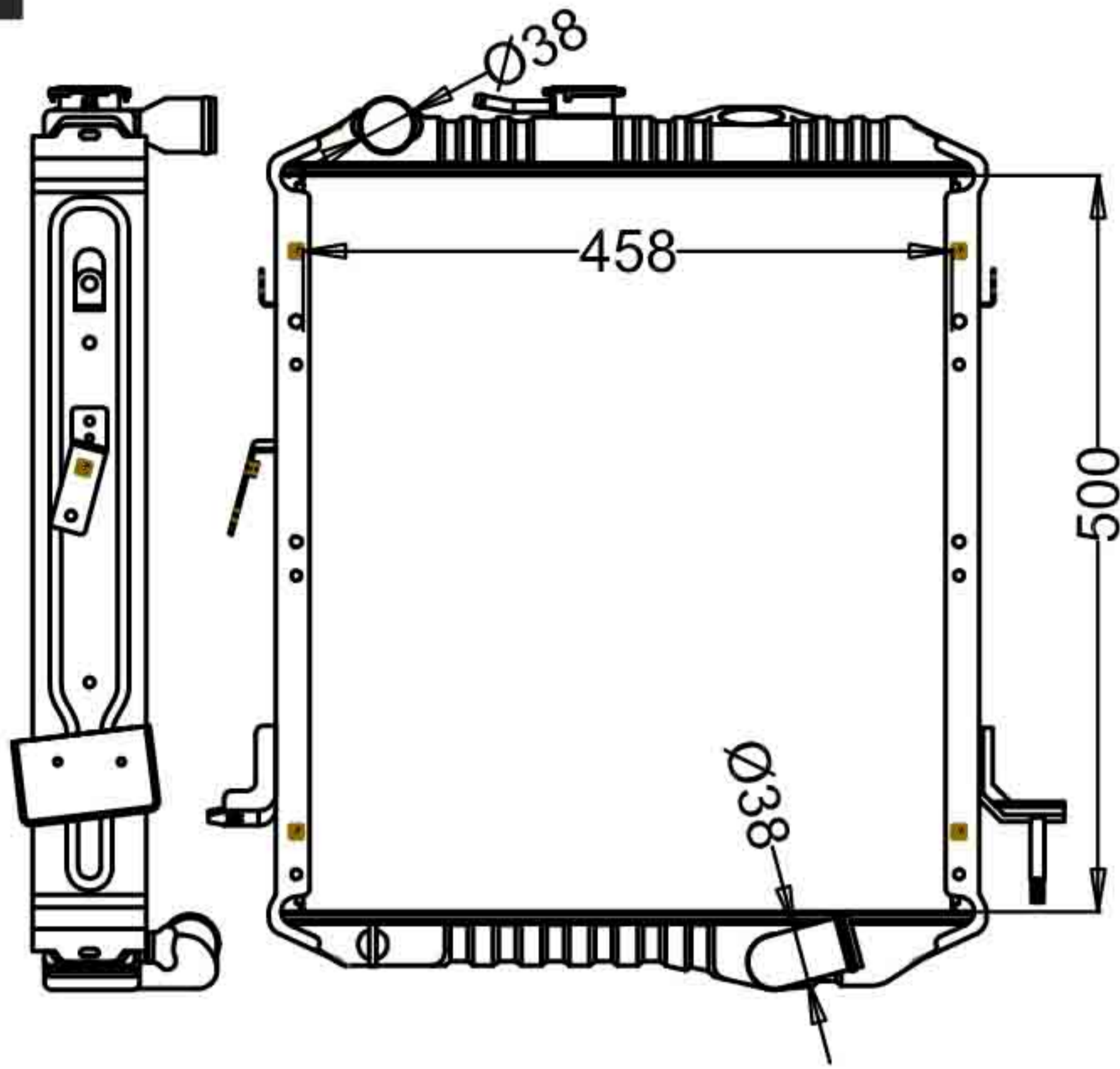
CARTYPE: CXZ 19/CXM71 86-94 MT  
 CORE SIZE: BC 750\*694\*48 TANK SIZE: 72\*698  
 CARTON:  
 OEM: 1-21410-693-0/728-0  
 DPI:

IS-13064



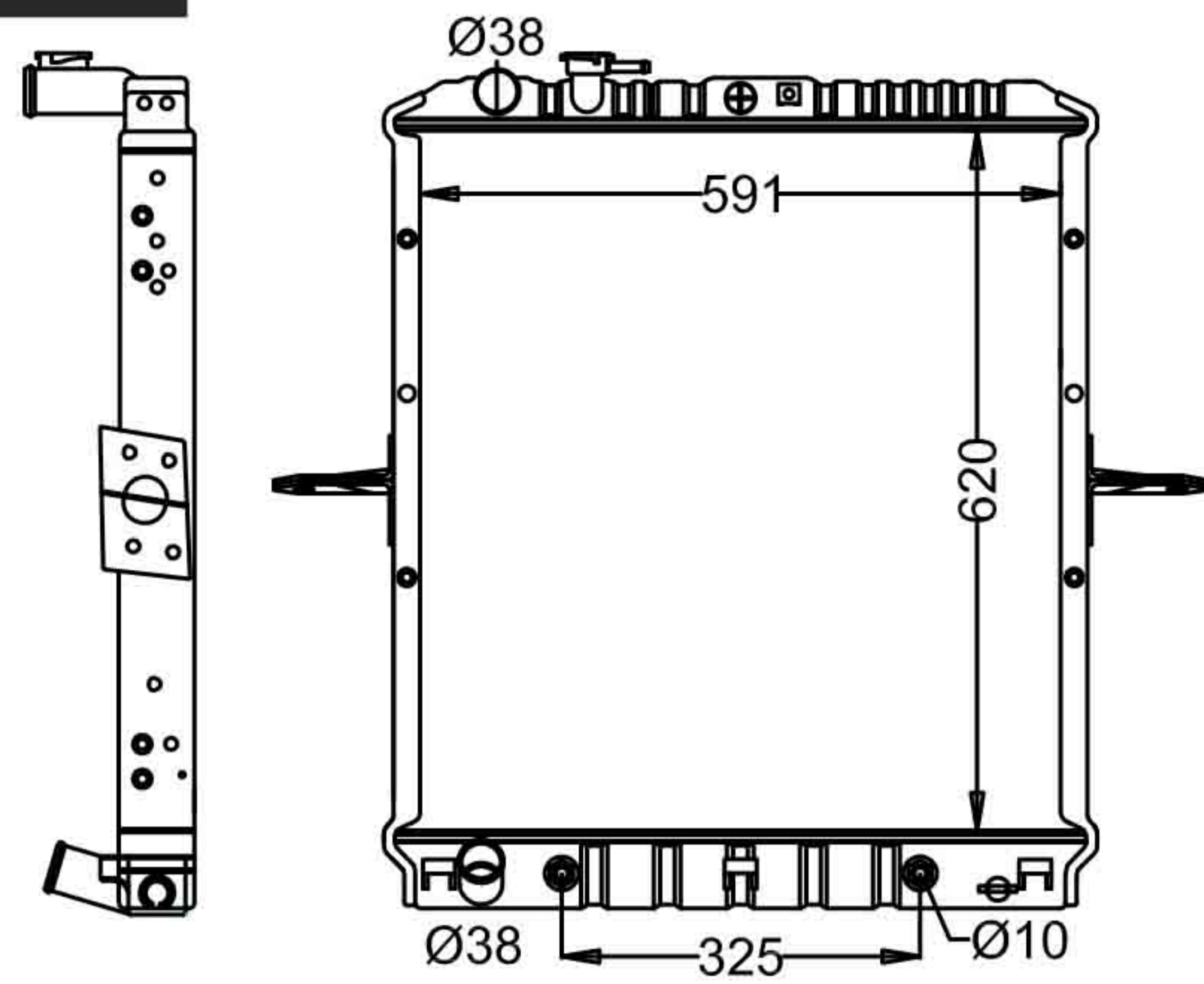
CARTYPE: 五十铃货车  
 CORE SIZE: BC:800\*618\*49 TANK SIZE: 640\*72  
 CARTON:  
 OEM:  
 DPI:

**IS-13065**



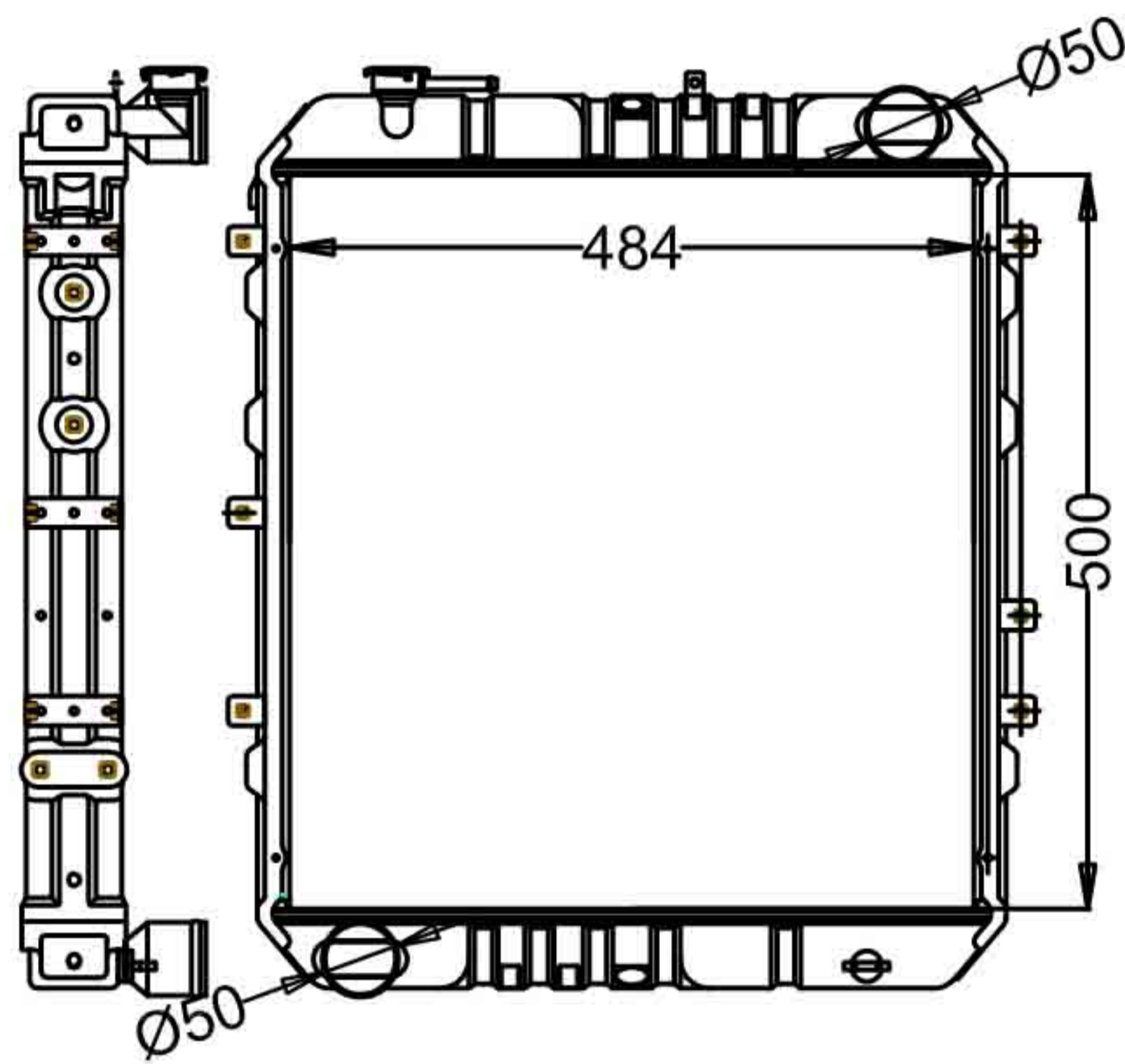
CARTYPE: ISUZU3.6 (新款五十铃3.6) MT  
 CORE SIZE: BC:500x458x49 TANK SIZE: 490\*72  
 CARTON: 655\*655\*155  
 OEM:  
 DPI:

**IS-13066**



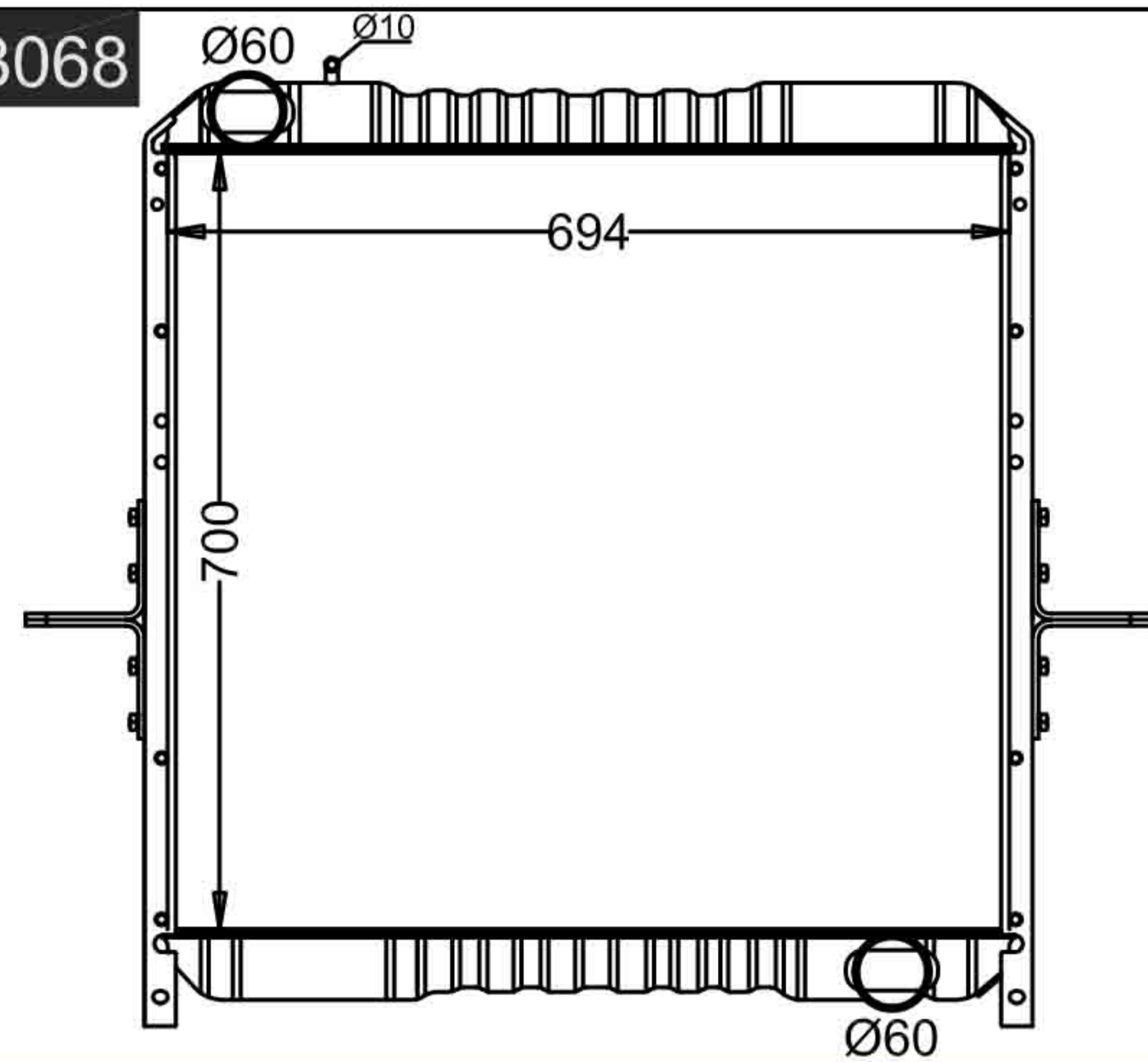
CARTYPE: ELF AT  
 CORE SIZE: BC:620x591x32/48 TANK SIZE: 572\*60  
 CARTON:  
 OEM:  
 DPI:

**IS-13067**



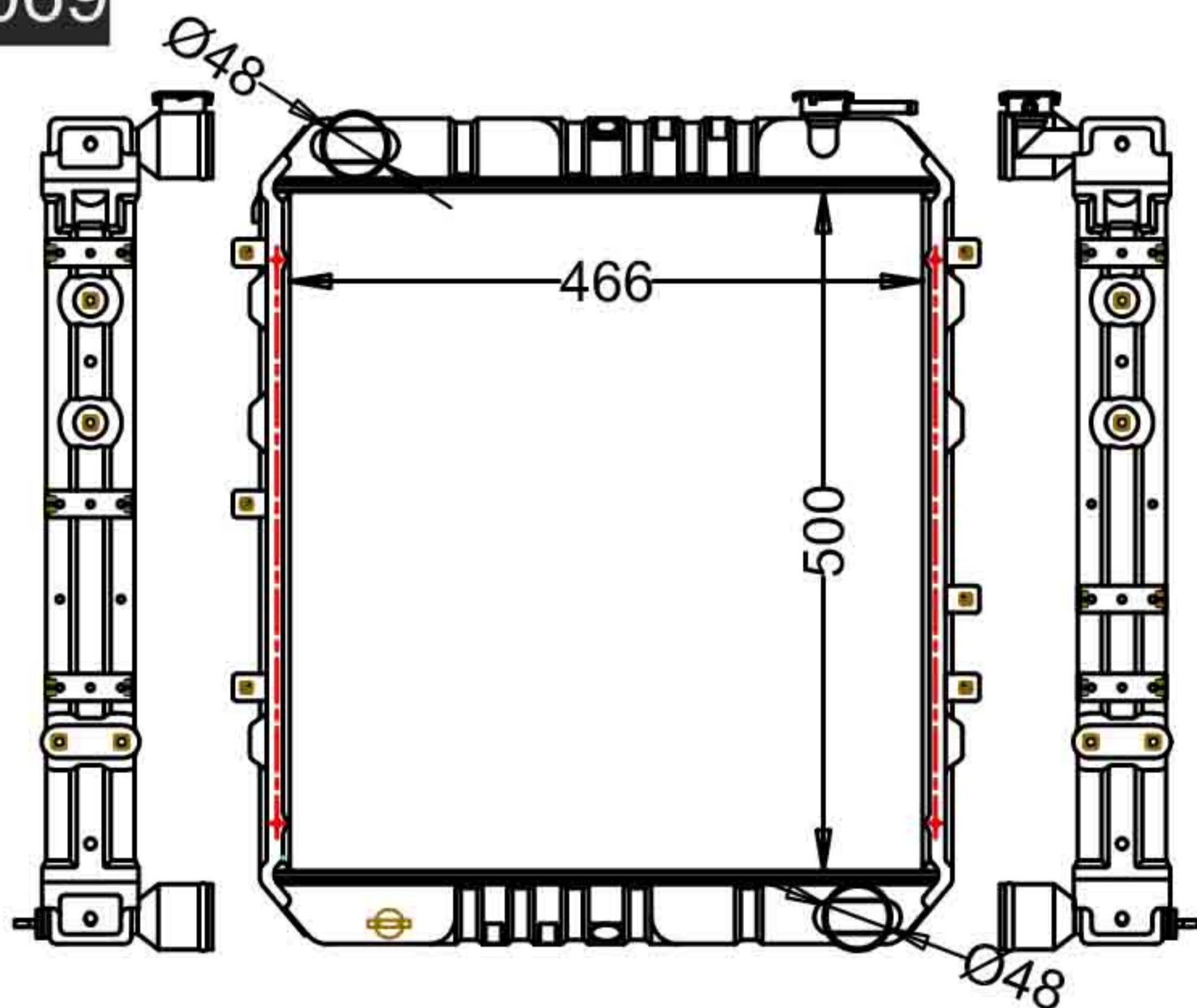
CARTYPE: ISUZU  
 CORE SIZE: BC: 500\*484\*49 TANK SIZE:  
 CARTON:  
 OEM:  
 DPI:

**IS-13068**



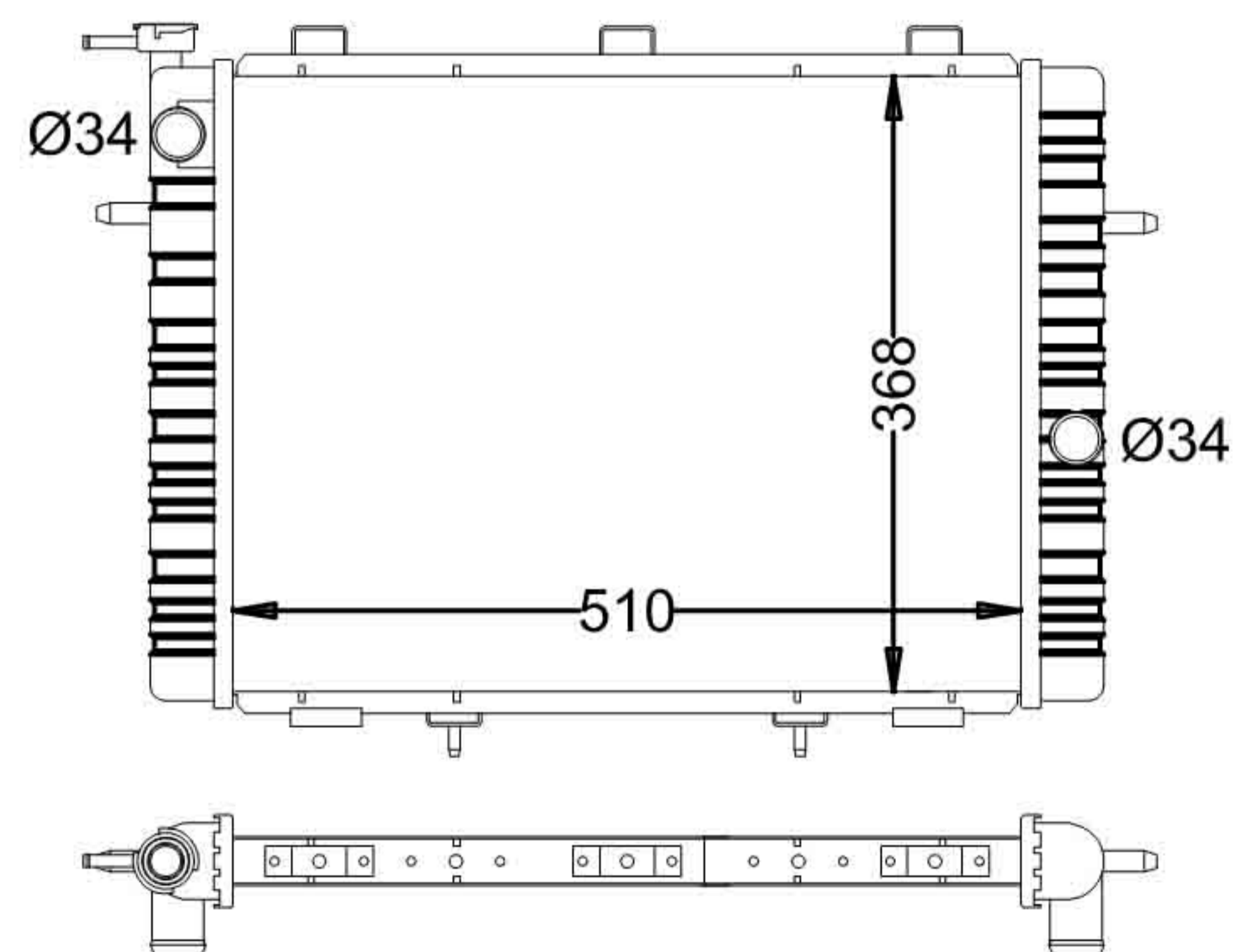
CARTYPE: CXZ 19/CXM71 86-94 MT  
 CORE SIZE: BC 700\*694\*48 TANK SIZE:72\*698  
 CARTON:  
 OEM:  
 DPI:

**IS-13069**



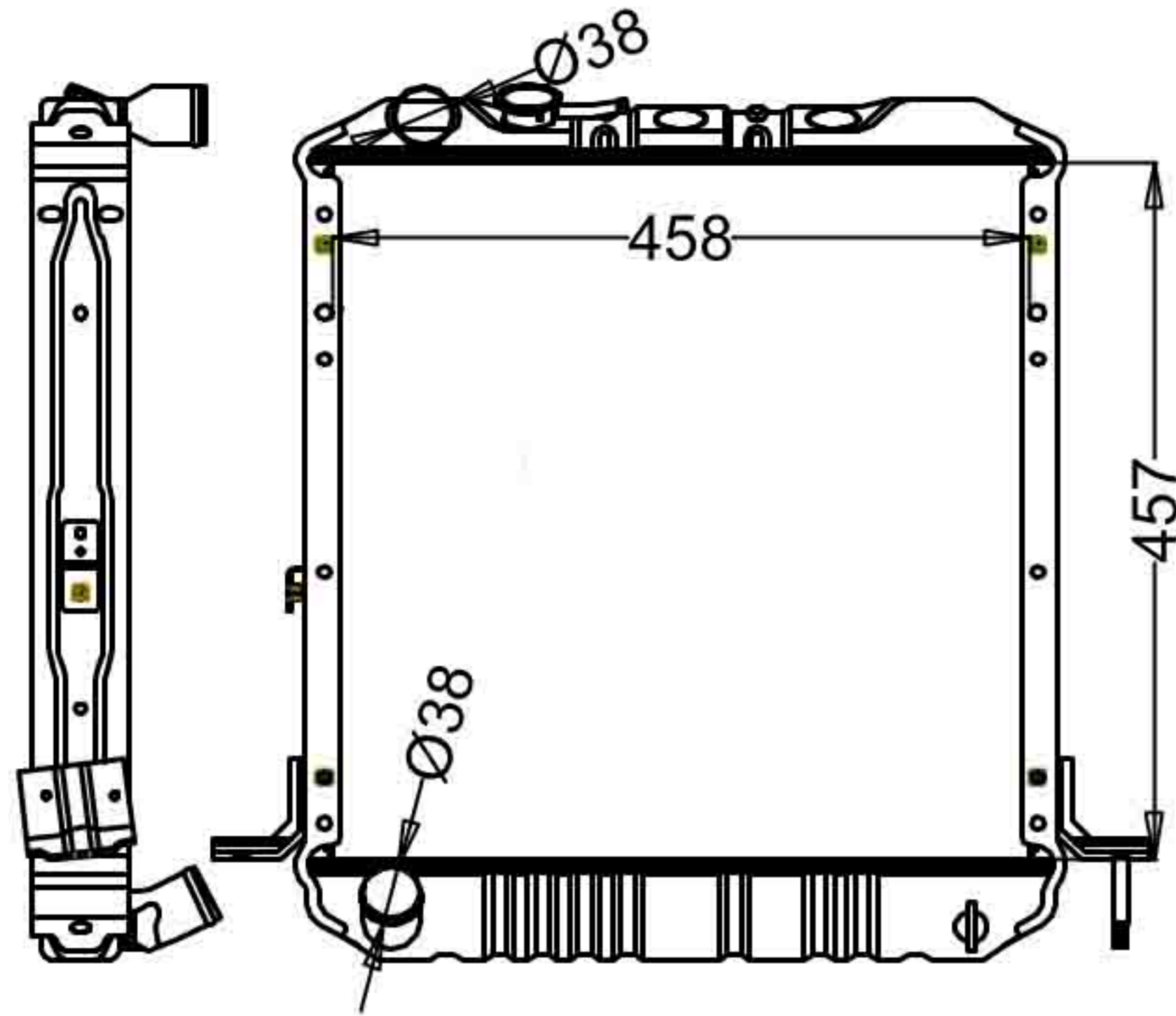
CARTYPE: ISUZU  
 CORE SIZE: BC: 500\*466\*49 TANK SIZE:495\*68  
 CARTON:  
 OEM:  
 DPI:

**IS-13070**



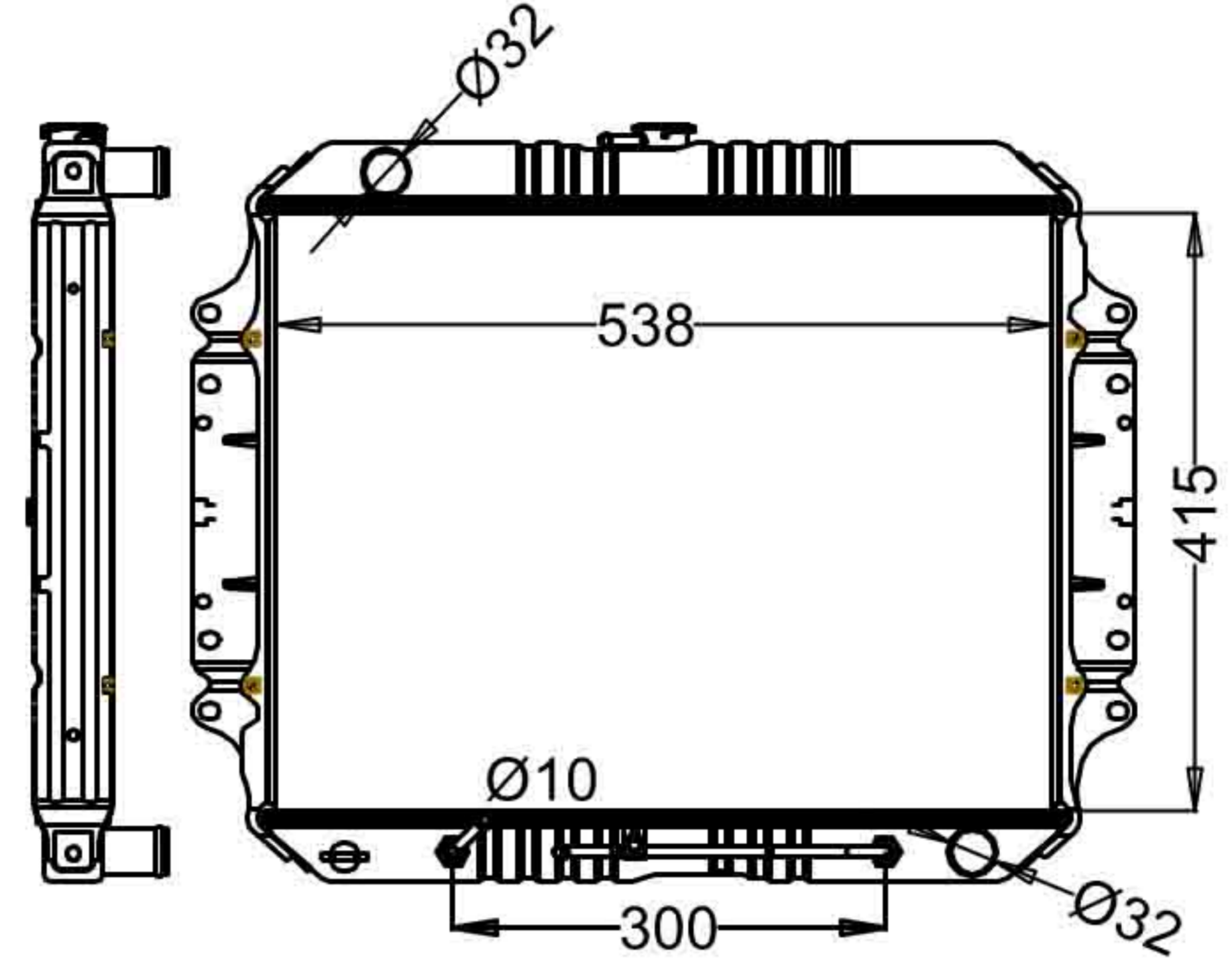
CARTYPE: KB 250/250D LE 89-98 MT  
 CORE SIZE: BC: 510\*368\*32 TANK SIZE:49.5\*417  
 CARTON:  
 OEM:  
 DPI:

IS-13071



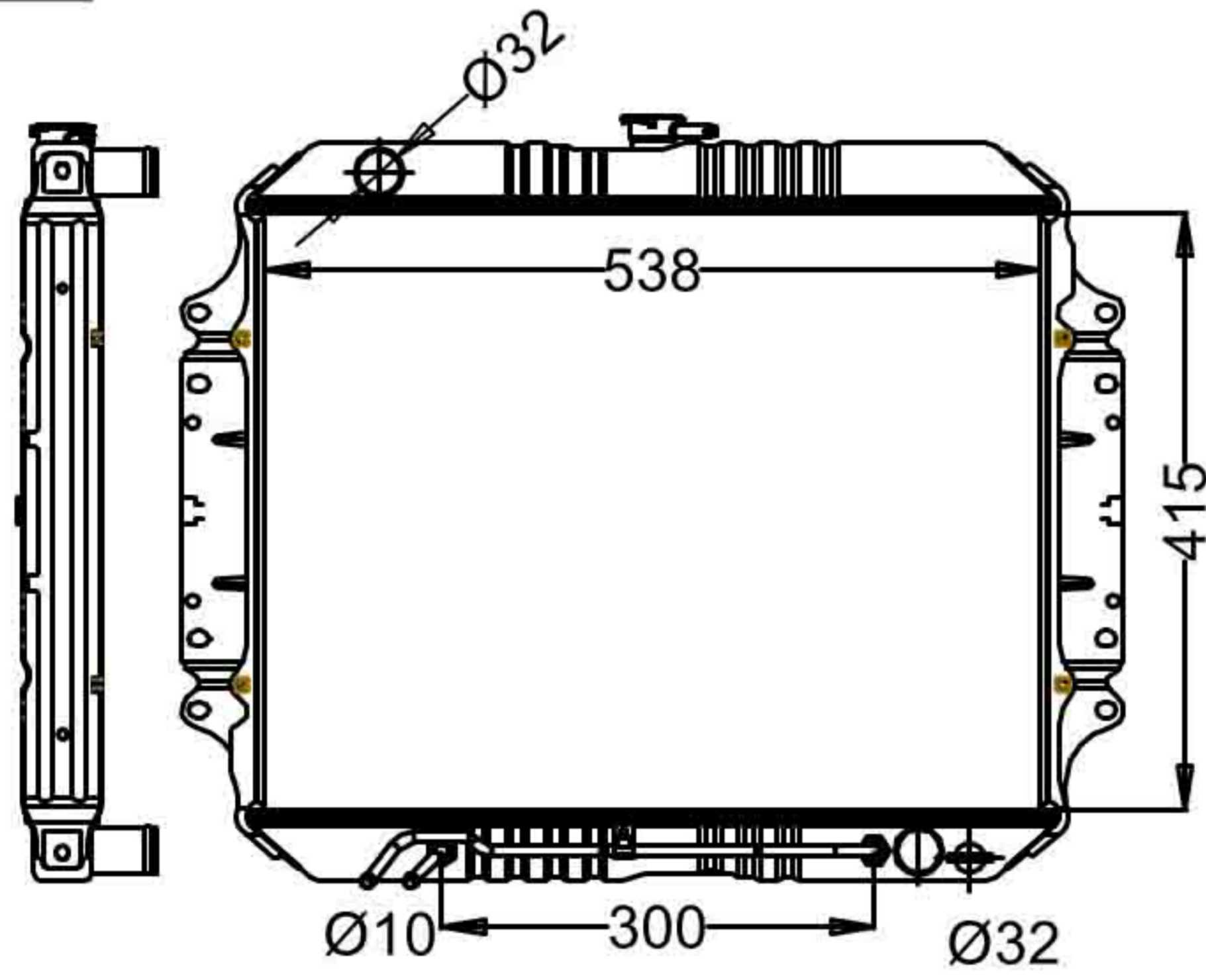
CARTYPE: ISUZU (天皇2.8) MT  
 CORE SIZE: BC 457x458x49 TANK SIZE: 490\*60  
 CARTON: 635\*615\*150  
 OEM:  
 DPI:

IS-13072



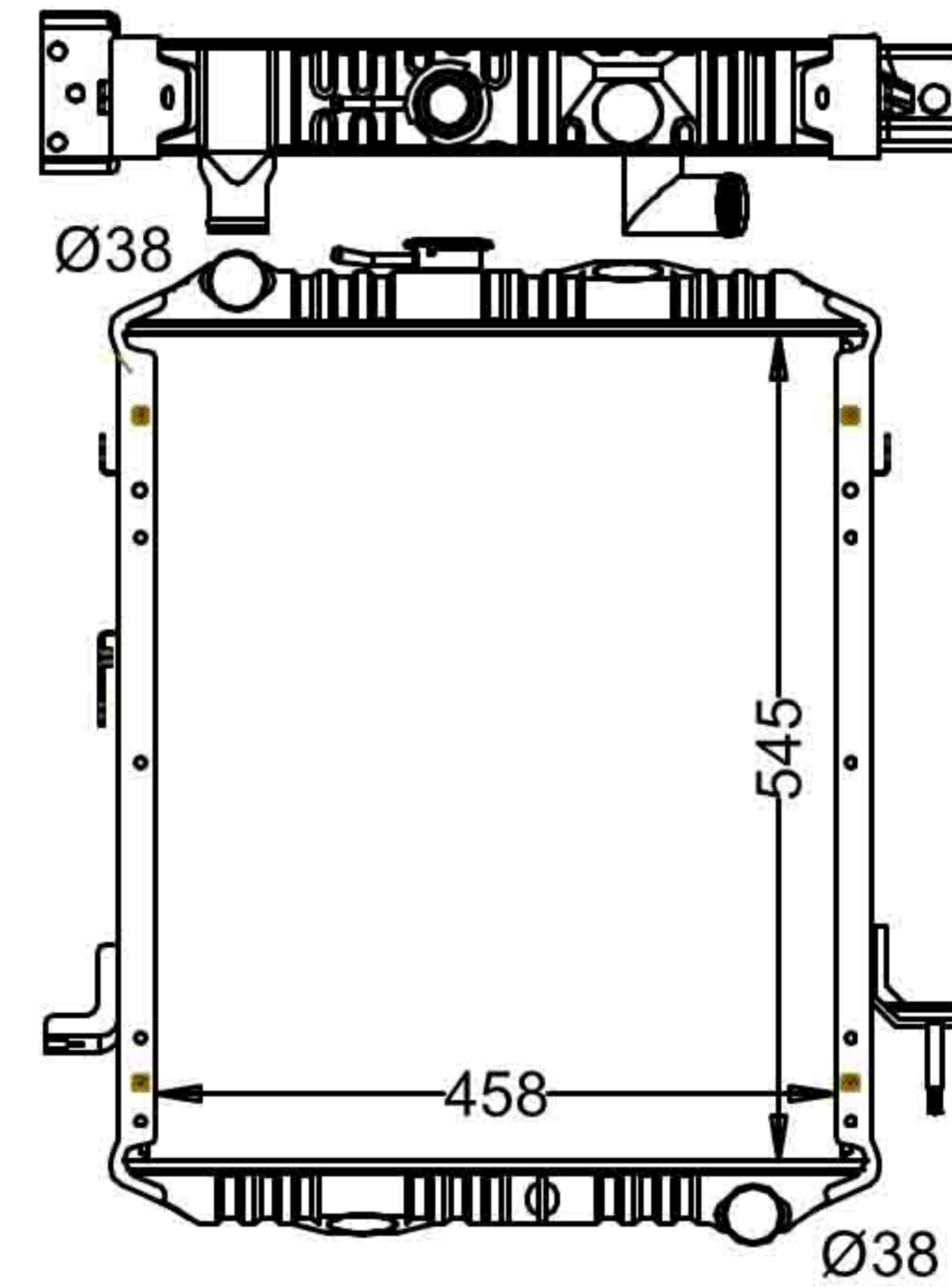
CARTYPE: ISUZU TFR (GAS) 柴油陆风/陆风 AT  
 CORE SIZE: BC 415x538x16 TANK SIZE: 555\*48  
 CARTON: 675\*557\*110  
 OEM:  
 DPI:

IS-13073



CARTYPE: ISUZU AT  
 CORE SIZE: BC 415\*538\*32 TANK SIZE: 555\*48  
 CARTON:  
 OEM:  
 DPI:

IS-13074

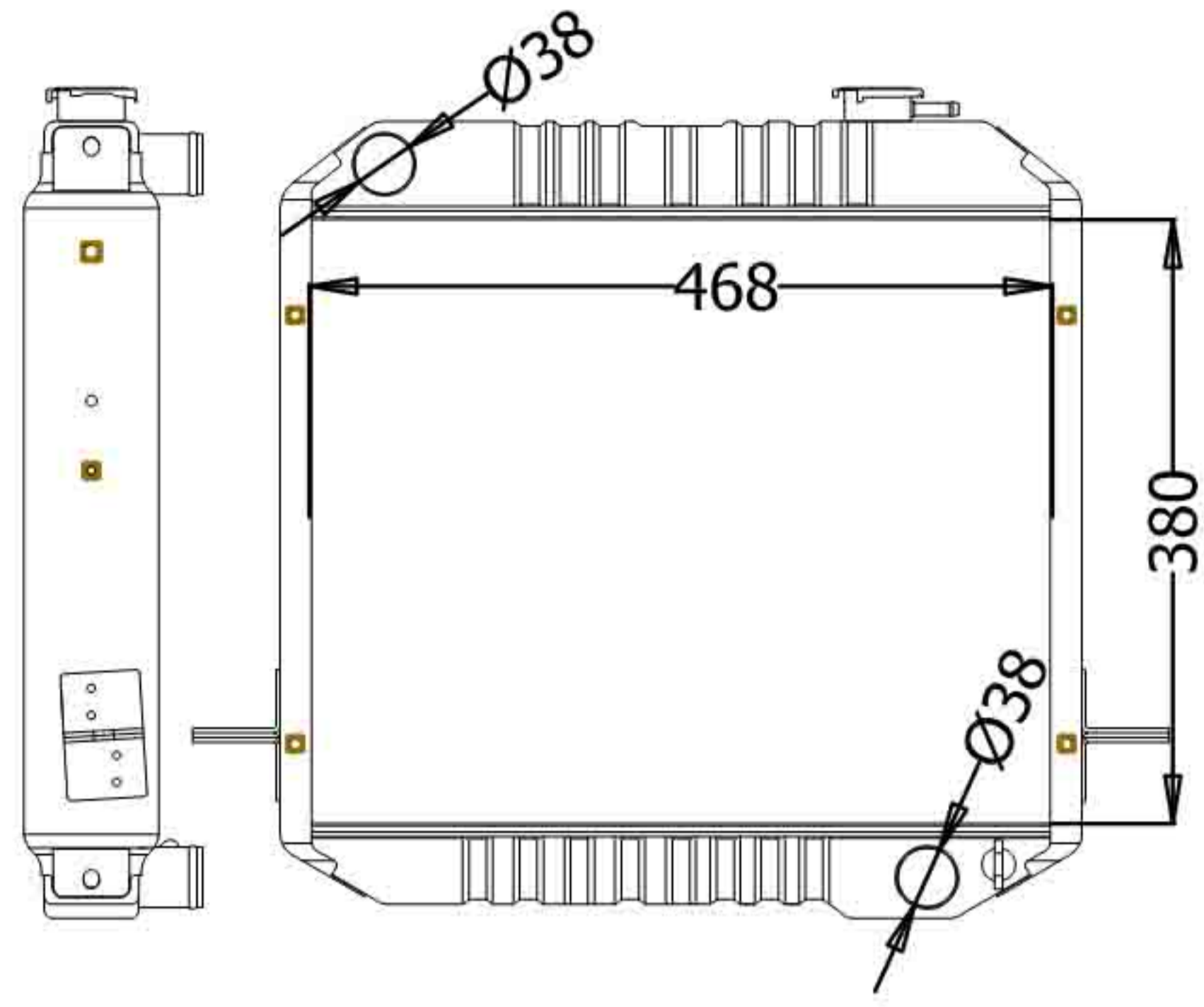


CARTYPE :  
 CORE SIZE: BC :545\*458\*49 TANK SIZE: 490\*72  
 CARTON:  
 OEM :  
 DPI:

IS-13075

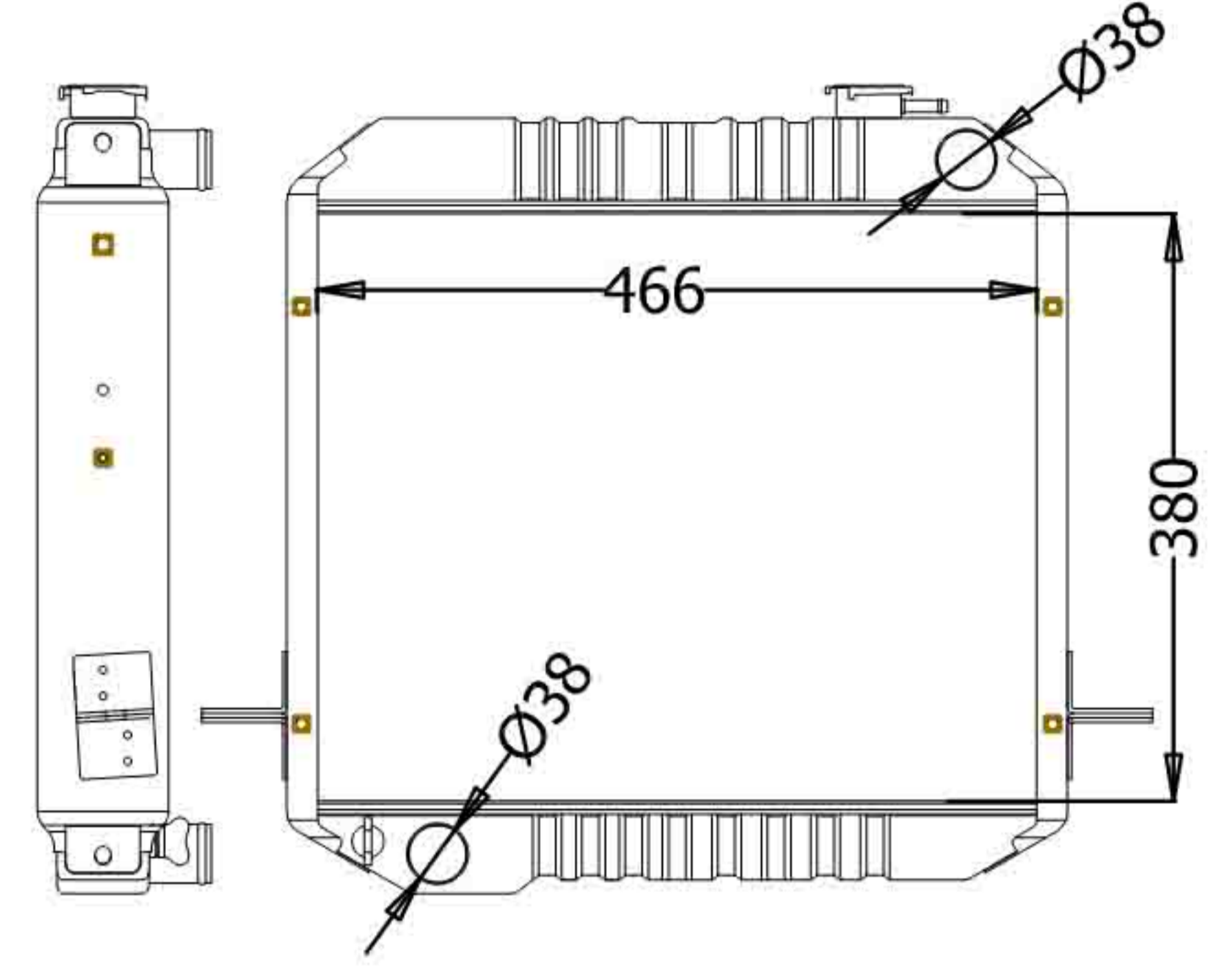
IS-13076

## GM-32001



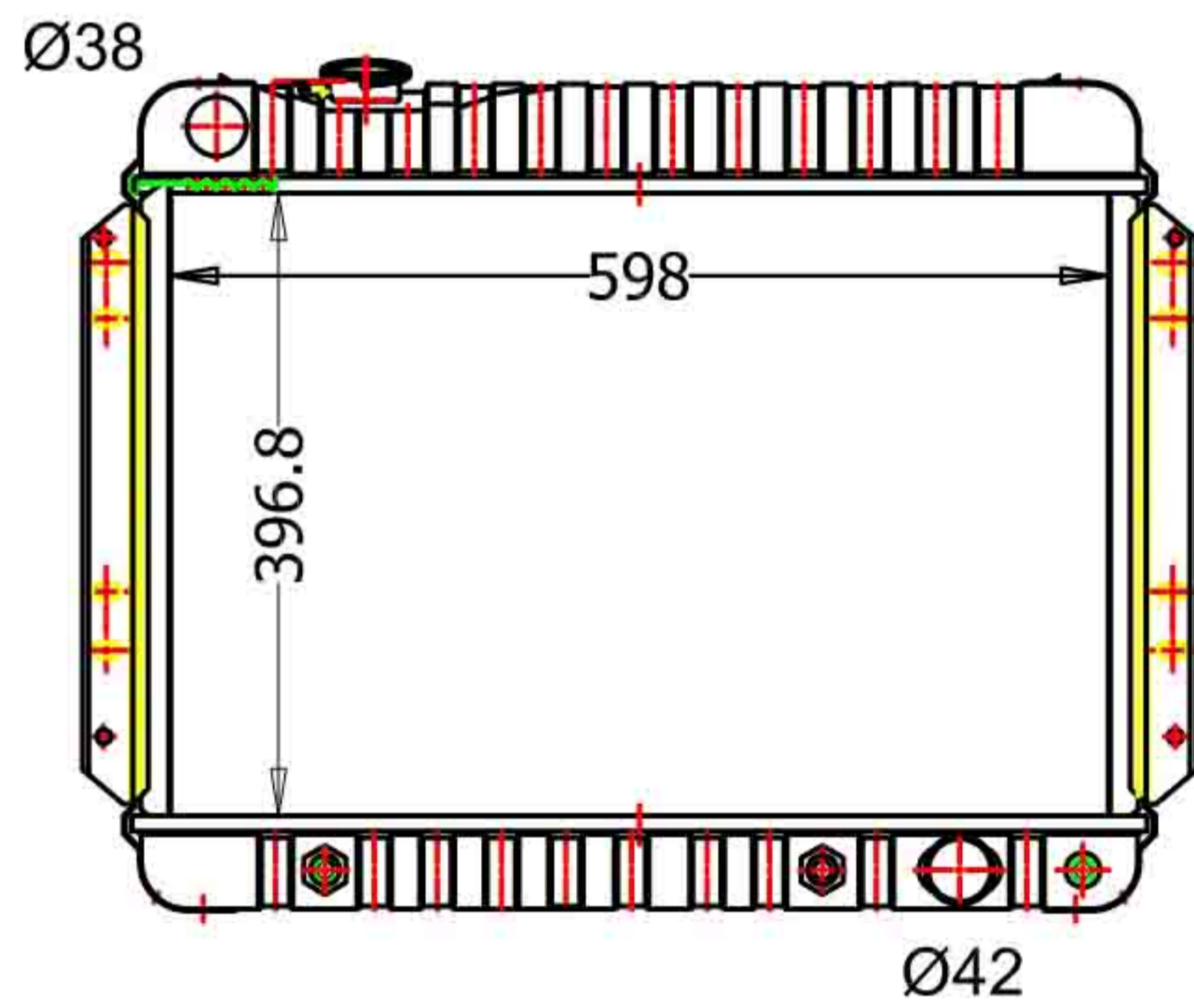
CARTYPE: GMC (小解放轻卡 适用福田轻卡) MT  
 CORE SIZE: BC 380x468x49 TANK SIZE: 495\*68  
 CARTON: 640\*565\*135  
 OEM:  
 DPI:

## GM-32002



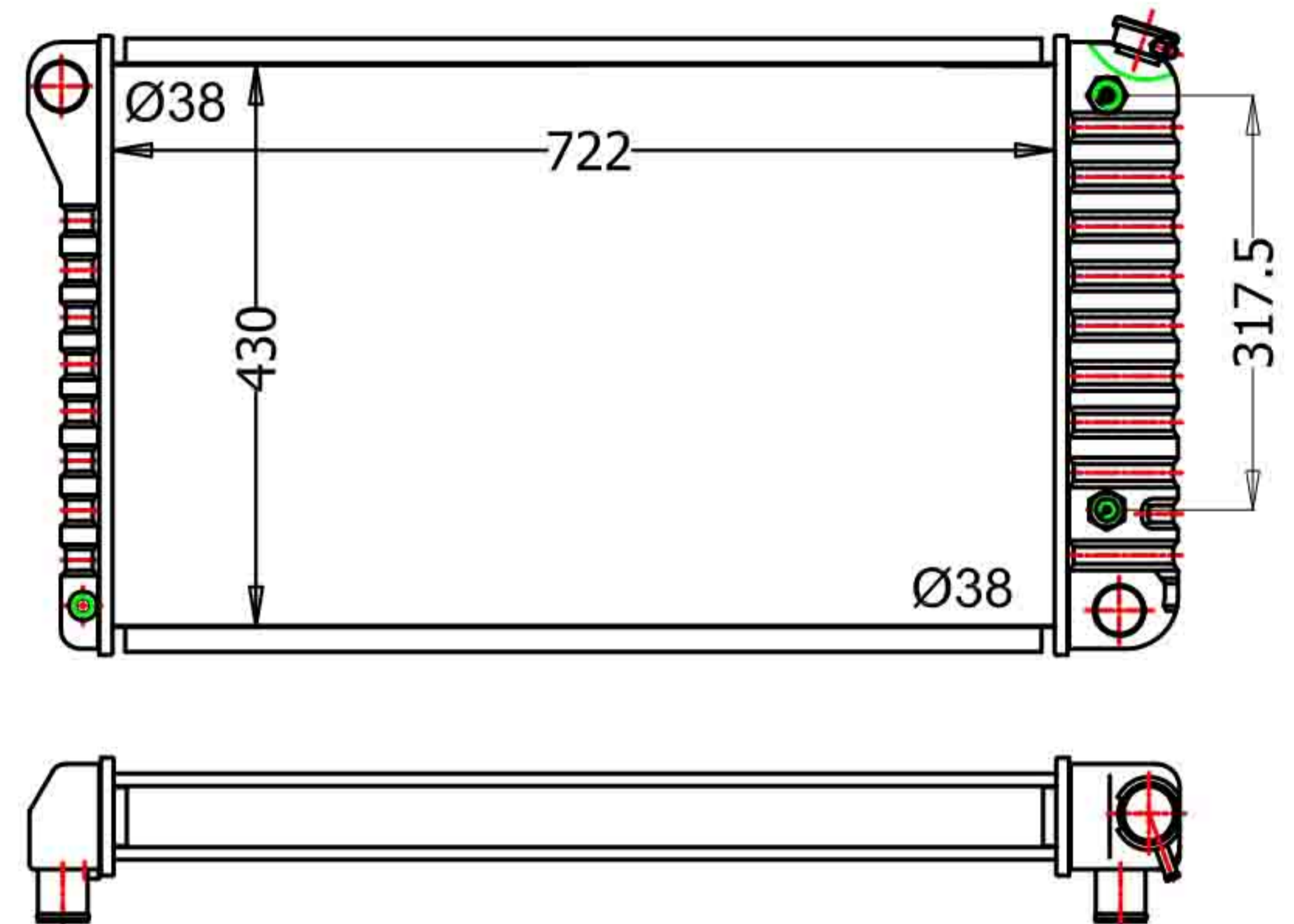
CARTYPE: GMC (福田轻卡 汽油) MT  
 CORE SIZE: BC 380x466x49 TANK SIZE: 495\*68  
 CARTON: 640\*565\*135  
 OEM:  
 DPI:

## GM-32003



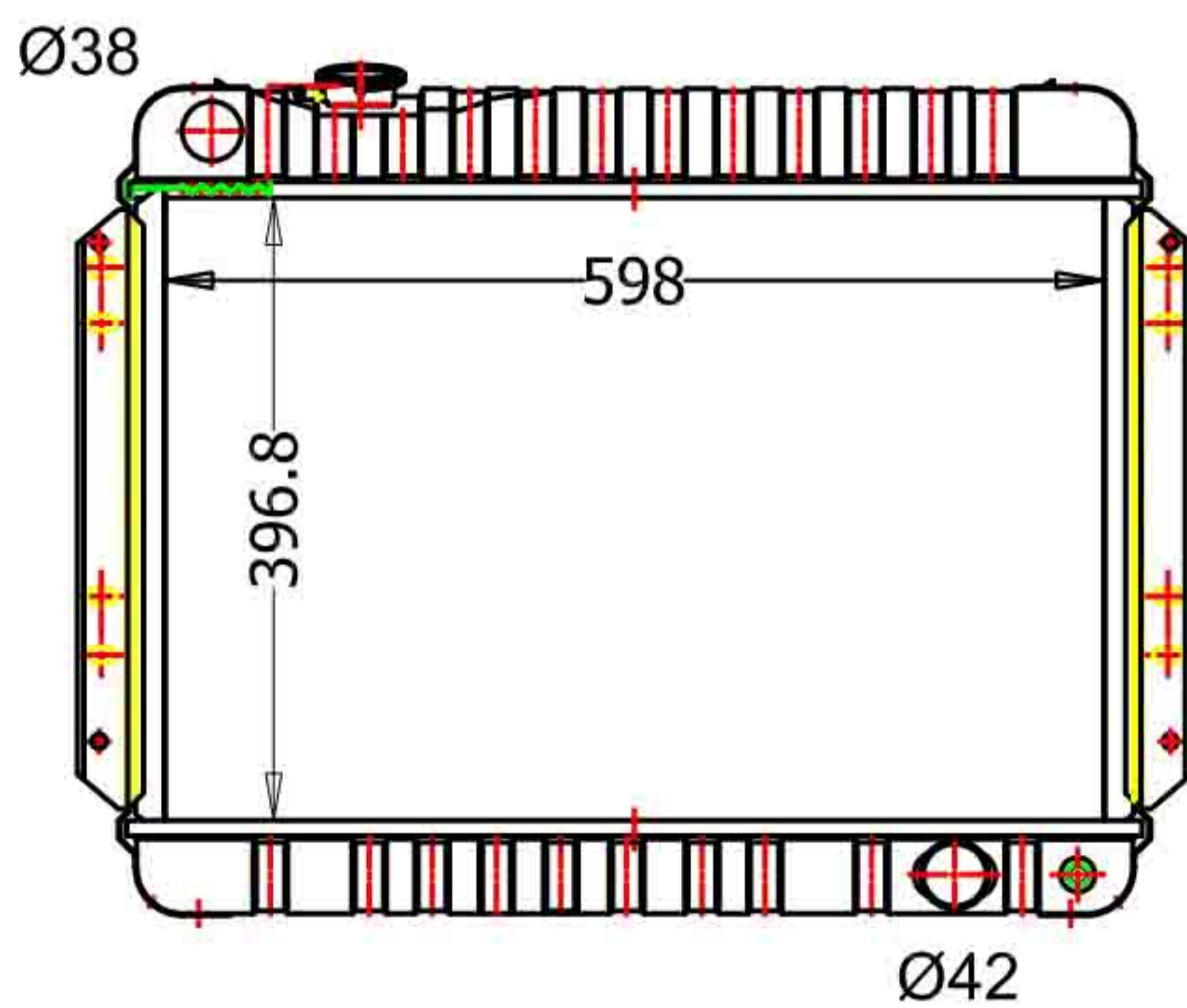
CARTYPE: PAIERO V6 3.5 AT  
 CORE SIZE: BC 396.8\*598X64 TANK SIZE: 89x647  
 CARTON:  
 OEM:  
 DPI:

## GM-32004



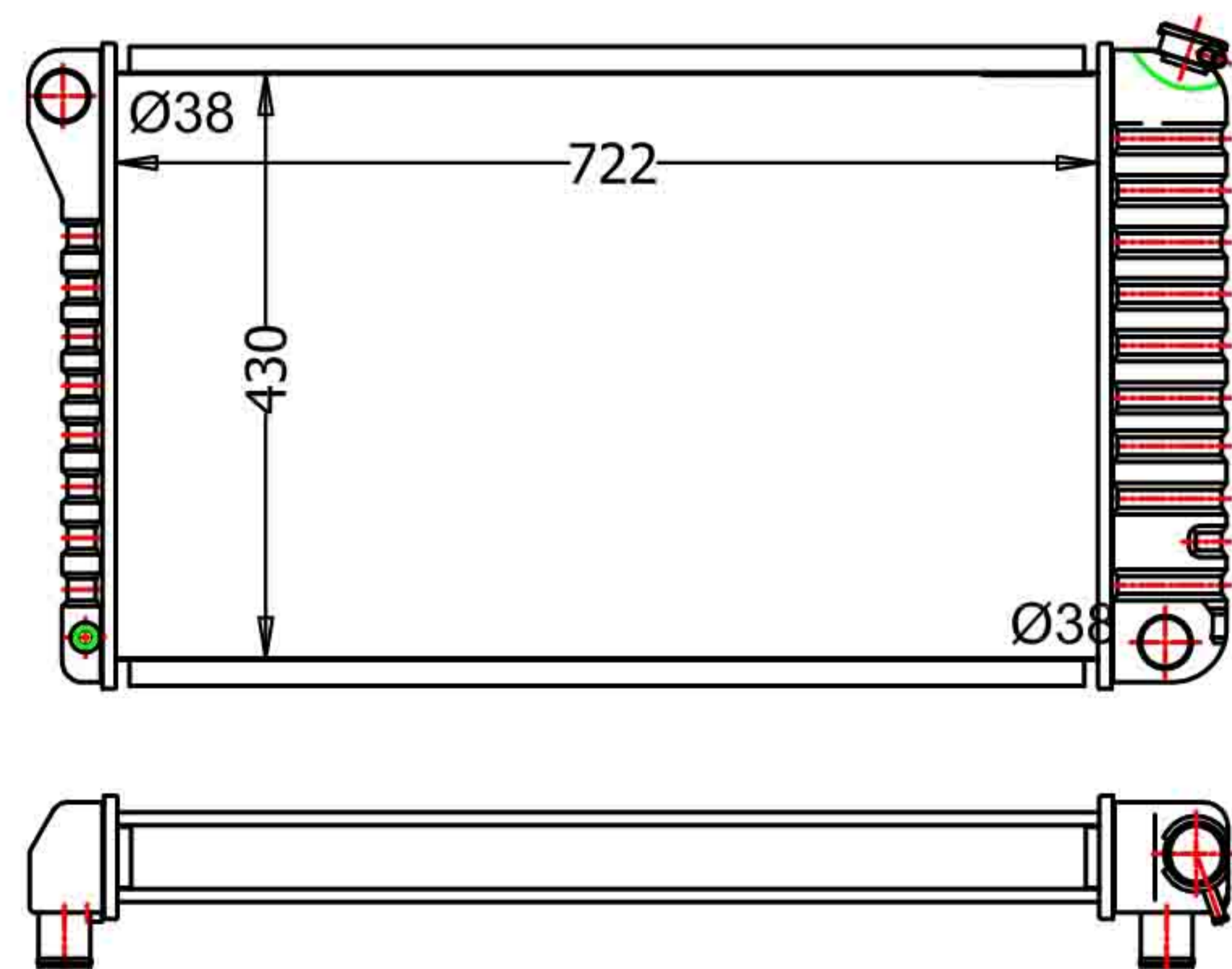
CARTYPE:  
 CORE SIZE: BC 722X430X64 TANK SIZE:  
 CARTON:  
 OEM:  
 DPI:

## GM-32005



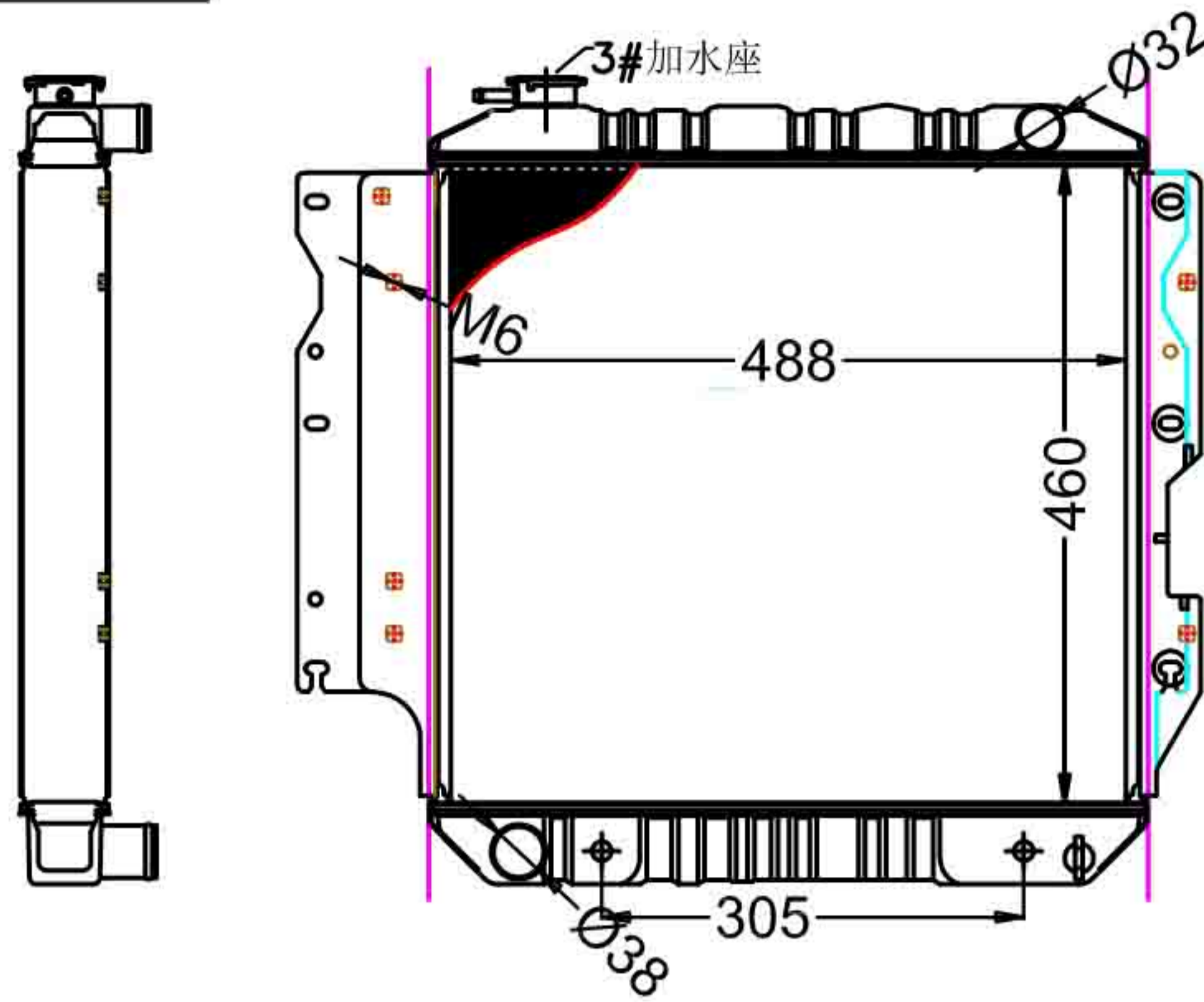
CARTYPE: PAIERO V6 3.5 MT  
 CORE SIZE: BC 396.8\*598X64 TANK SIZE: 89x647  
 CARTON:  
 OEM:  
 DPI:

## GM-32006



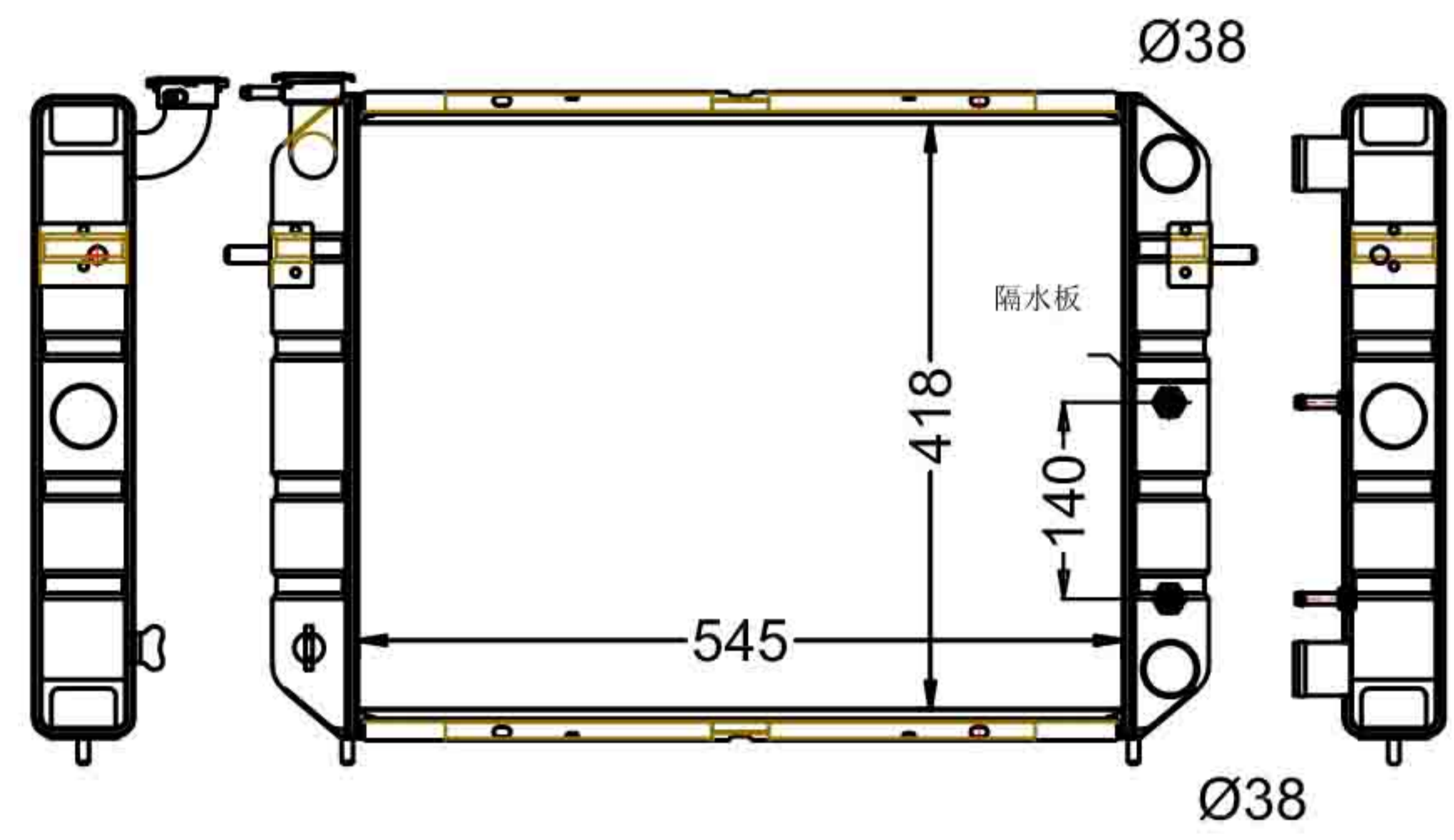
CARTYPE:  
 CORE SIZE: BC 722X430X64 TANK SIZE:  
 CARTON:  
 OEM:  
 DPI:

## GM-32007



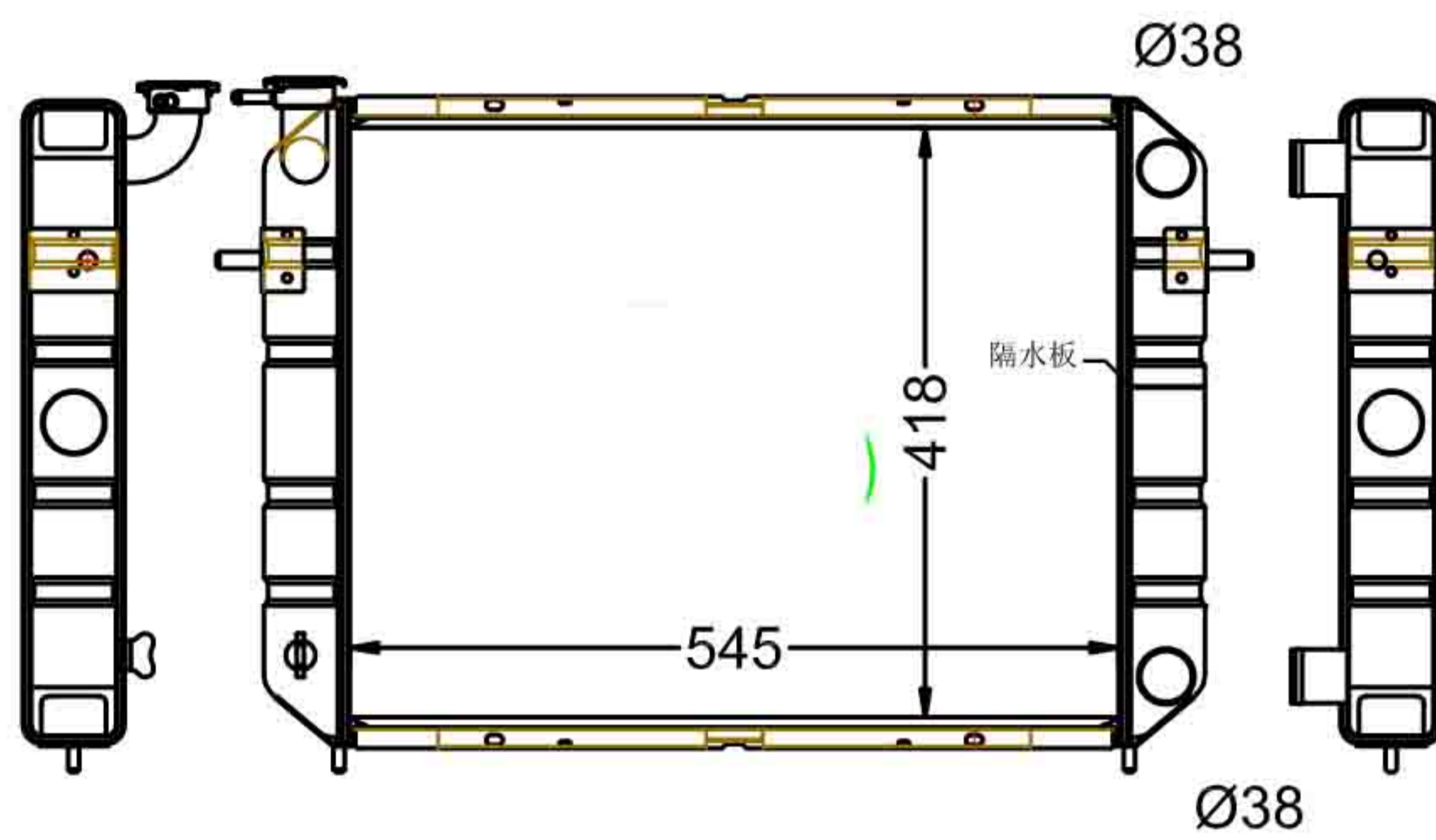
CARTYPE: JEEP  
 CORE SIZE:BC :460\*488\*49 TANK SIZE:514\*60  
 CARTON:  
 OEM:  
 DPI:

## GM-32008



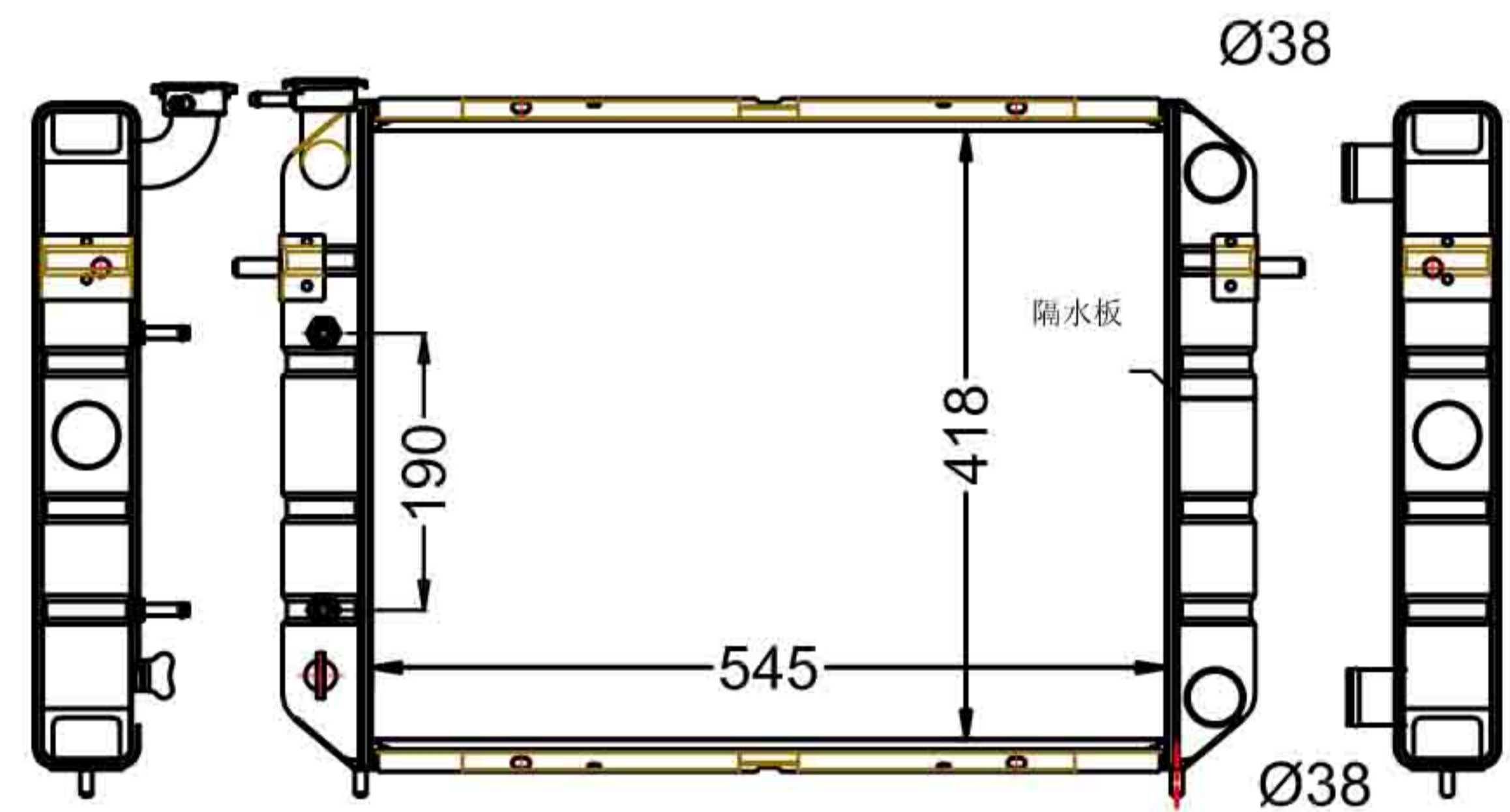
CARTYPE: COMMODORE VL WAGON 86-88 AT  
 CORE SIZE:BC :545\*418\*49 TANK SIZE:543\*69  
 CARTON:  
 OEM:  
 DPI:

## GM-32009



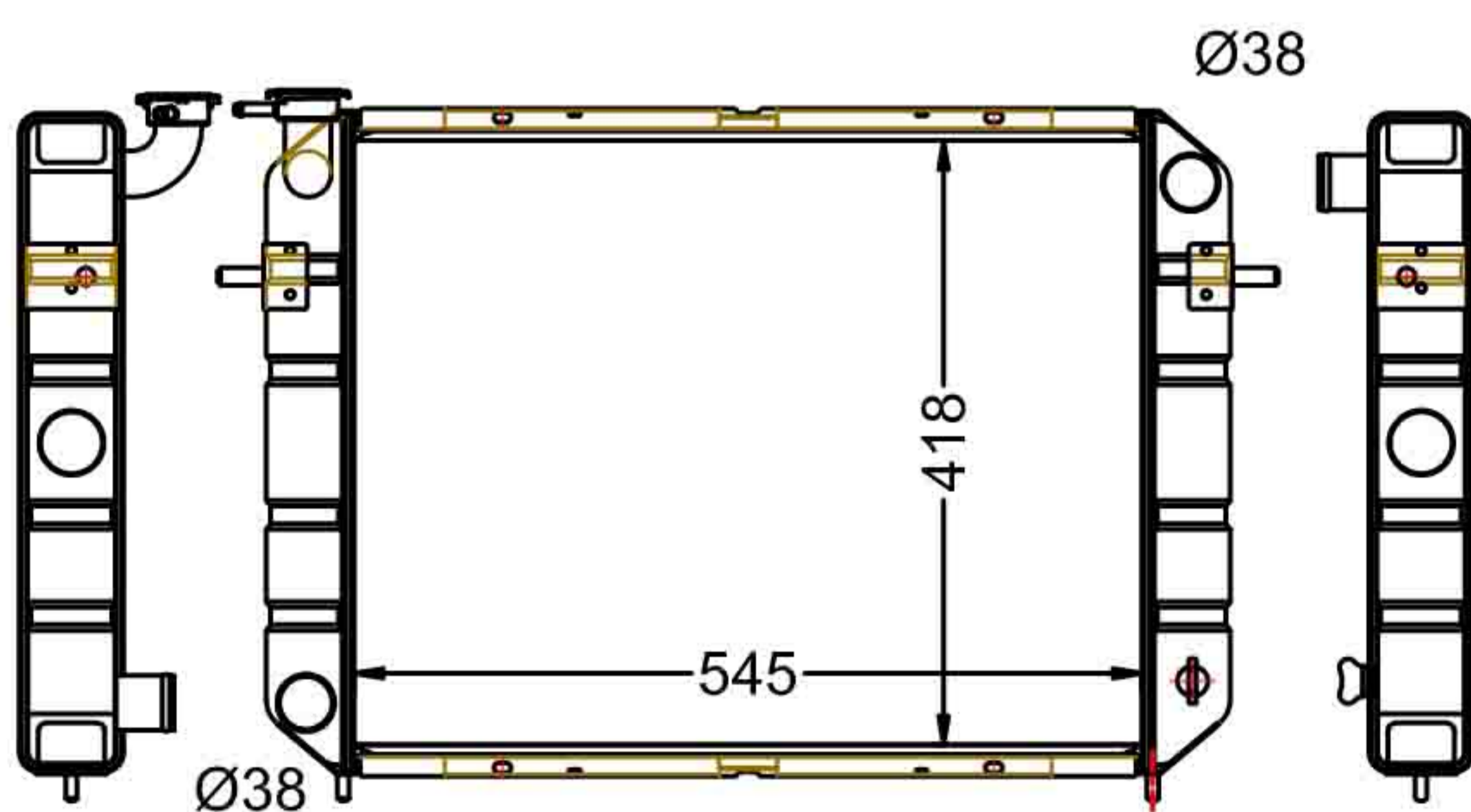
CARTYPE: COMMODORE VL MT  
 CORE SIZE:BC :545\*418\*37/49 TANK SIZE:543\*69  
 CARTON:  
 OEM:  
 DPI:

## GM-32010



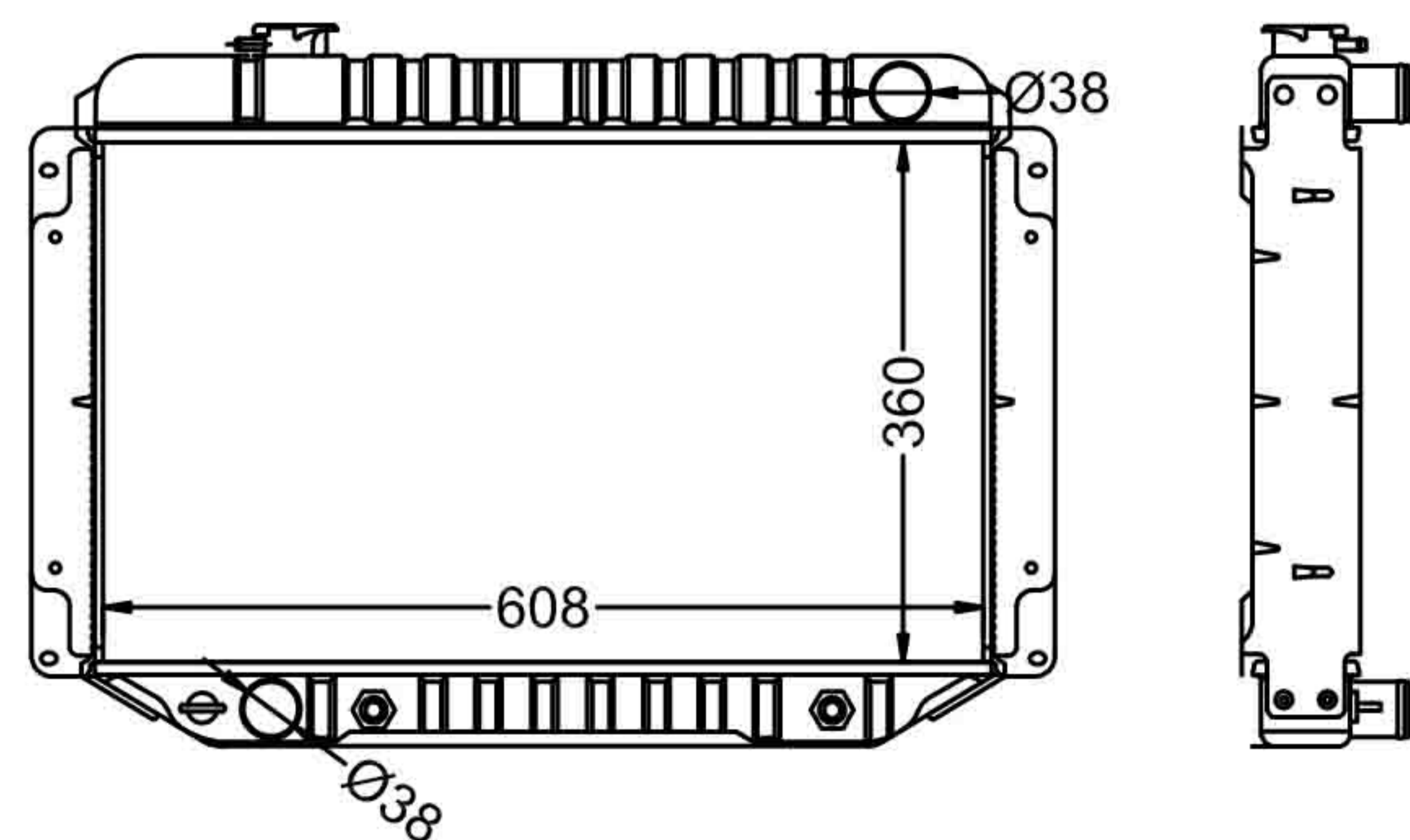
CARTYPE: COMMODORE VL AT  
 CORE SIZE:BC :545\*418\*37/49 TANK SIZE:543\*69  
 CARTON:  
 OEM:  
 DPI:

## GM-32011



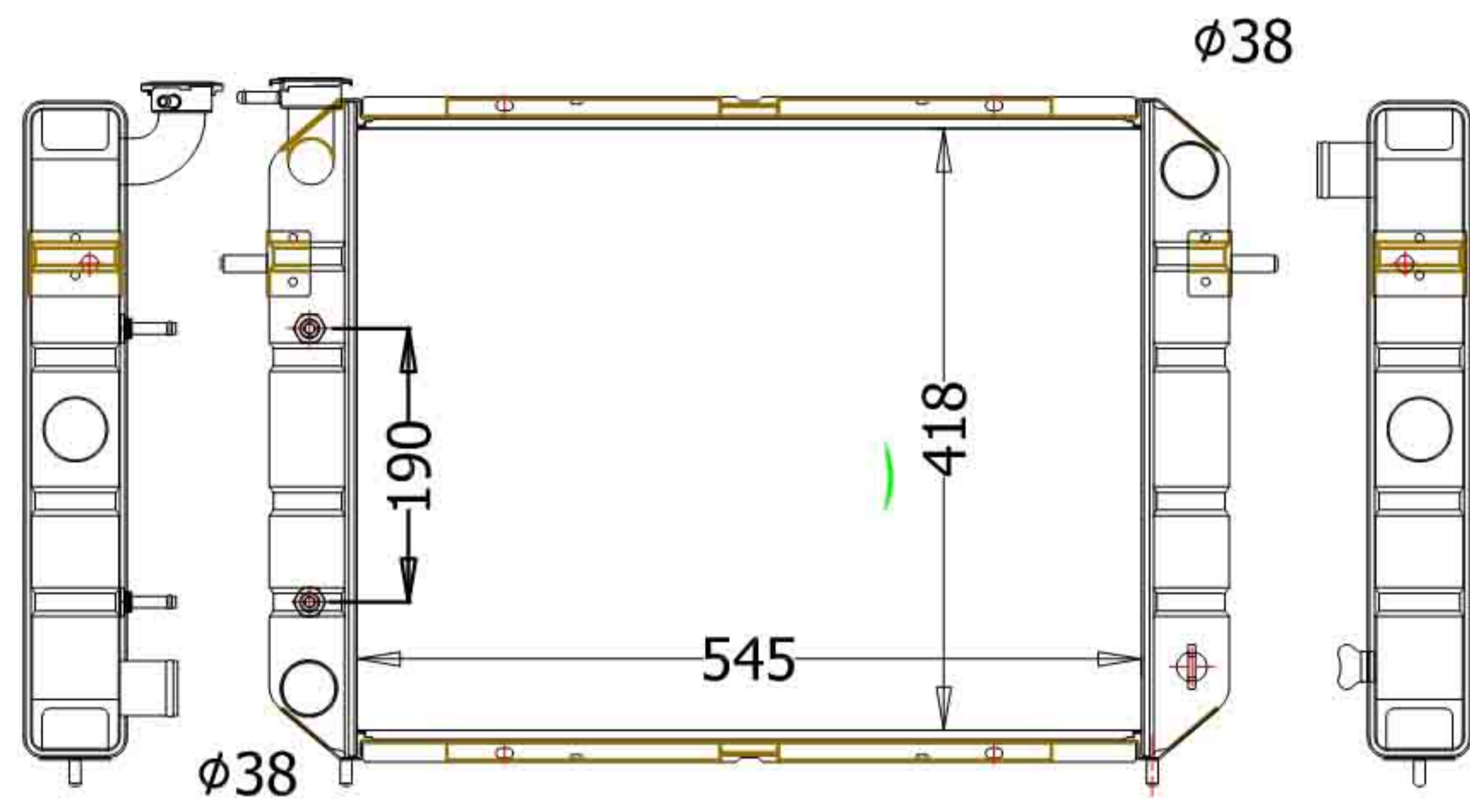
CARTYPE: COMMODORE VN V8 '88-96 MT  
 CORE SIZE: BC 545\*418\*37/49 TANK SIZE: 543\*69  
 CARTON:  
 OEM:  
 DPI:

## GM-32012



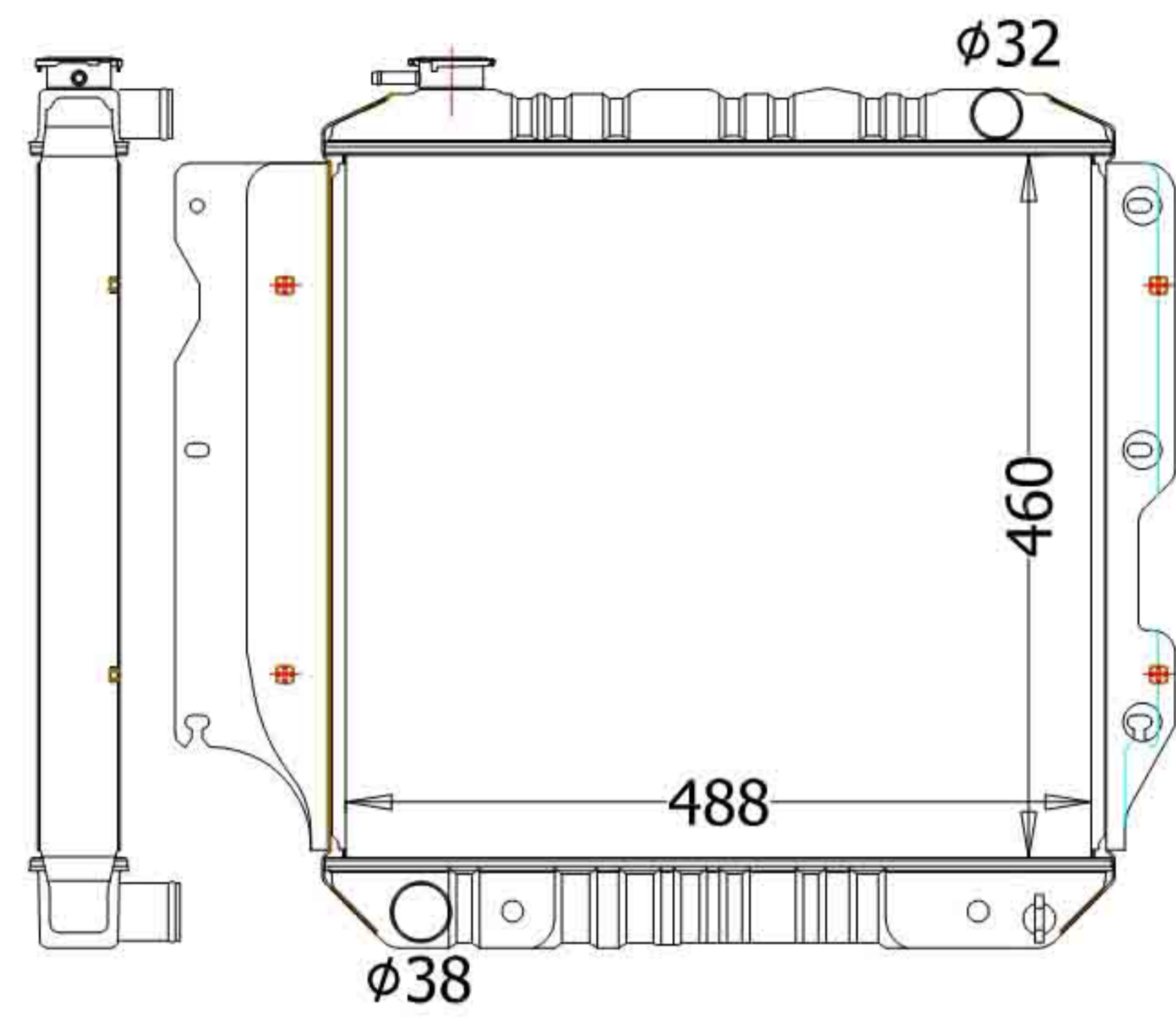
CARTYPE: KIANGSWOOD 'HQ MT  
 CORE SIZE:BC :PP 360\*608\*48 TANK SIZE:625.5\*68  
 CARTON:  
 OEM:  
 DPI:

## GM-32013



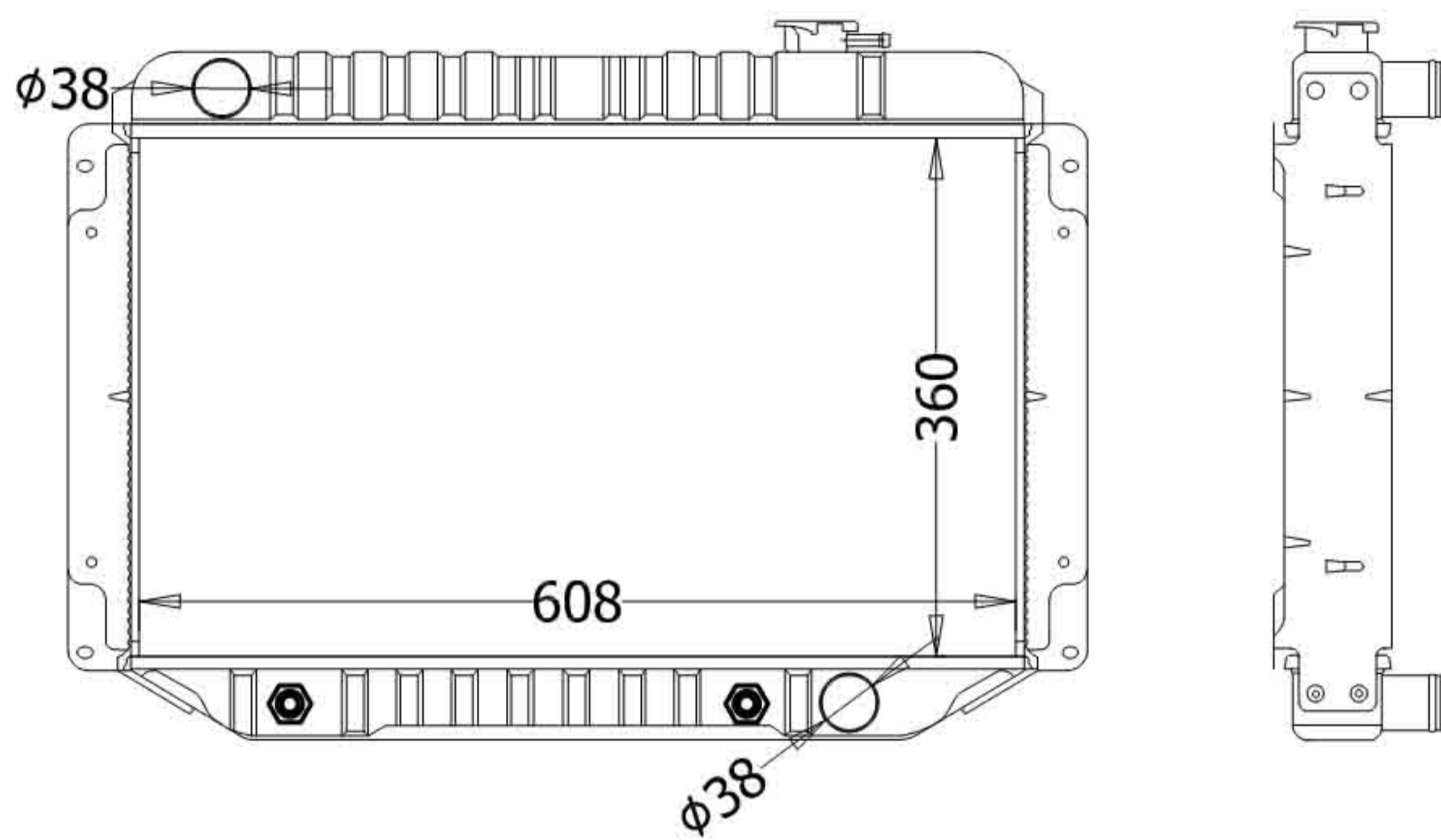
CARTYPE: COMMODORE VN V8 '88-96 AT  
 CORE SIZE: BC 545\*418\*37/49 TANK SIZE: 543\*69  
 CARTON:  
 OEM:  
 DPI:

## GM-32014



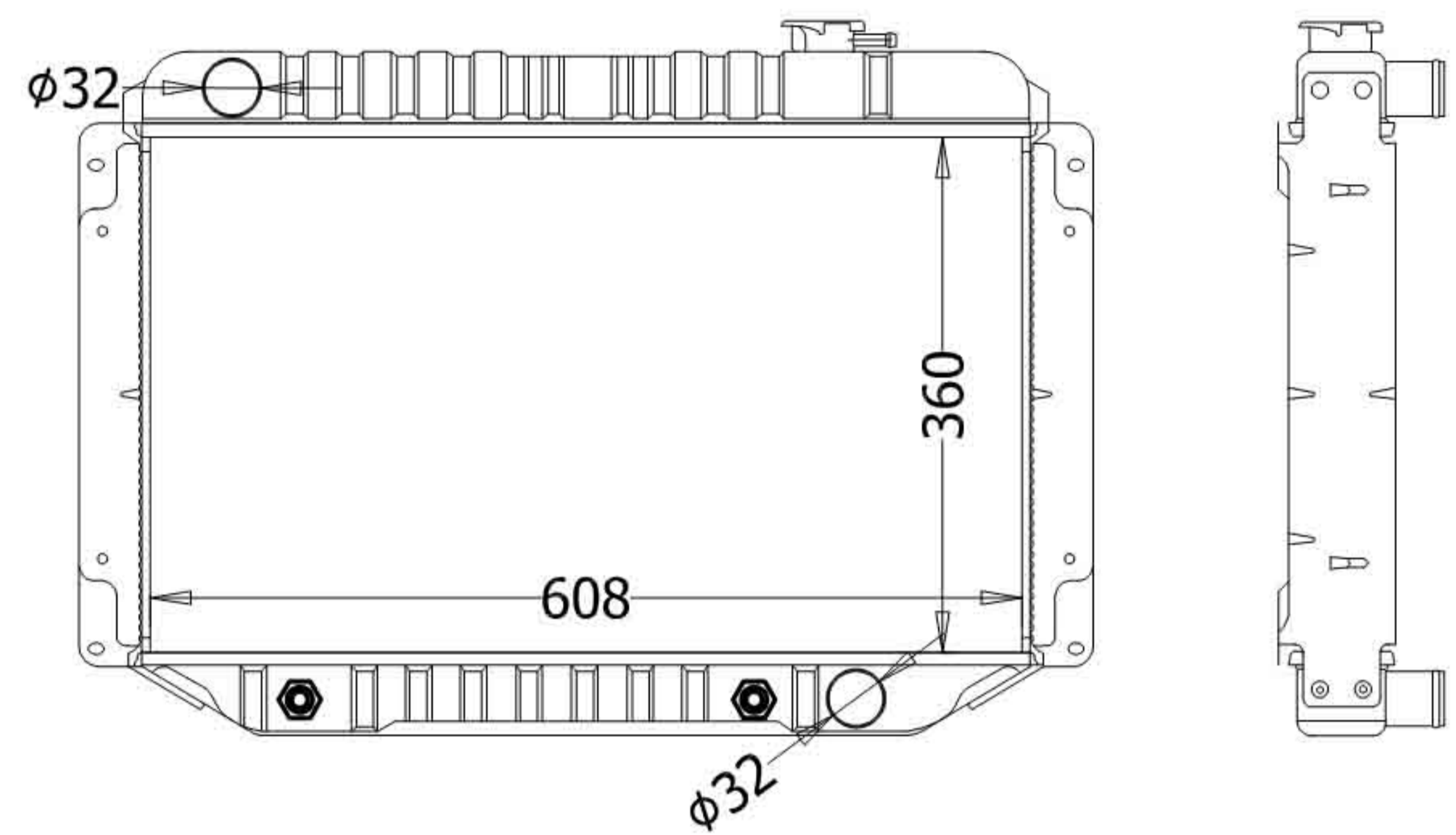
CARTYPE : 吉普牧马人  
 CORE SIZE : BC :460\*488\*49 TANK SIZE :514\*60  
 CORE SIZE :  
 OEM :  
 DPI :

## GM-32015



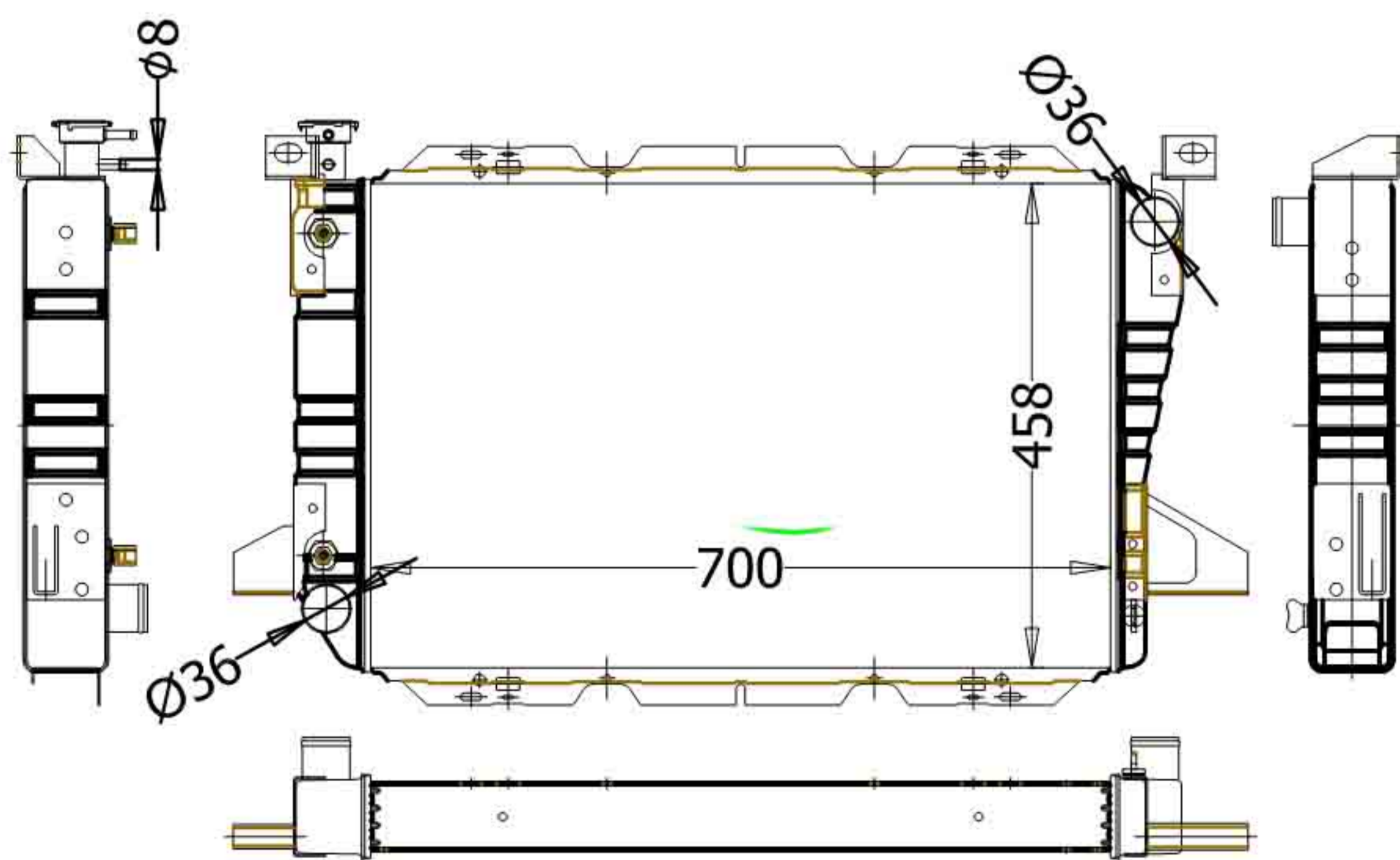
CARTYPE: HOLDEN V8  
 CORE SIZE:BC :PP 360\*608\*48 TANK SIZE:625.5\*68  
 CARTON:  
 OEM:  
 DPI:

## GM-32016



CARTYPE: HOLDEN 6CYLINDER  
 CORE SIZE:BC :PP 360\*608\*48 TANK SIZE:625.5\*68  
 CARTON:  
 OEM:  
 DPI:

## GM-32017



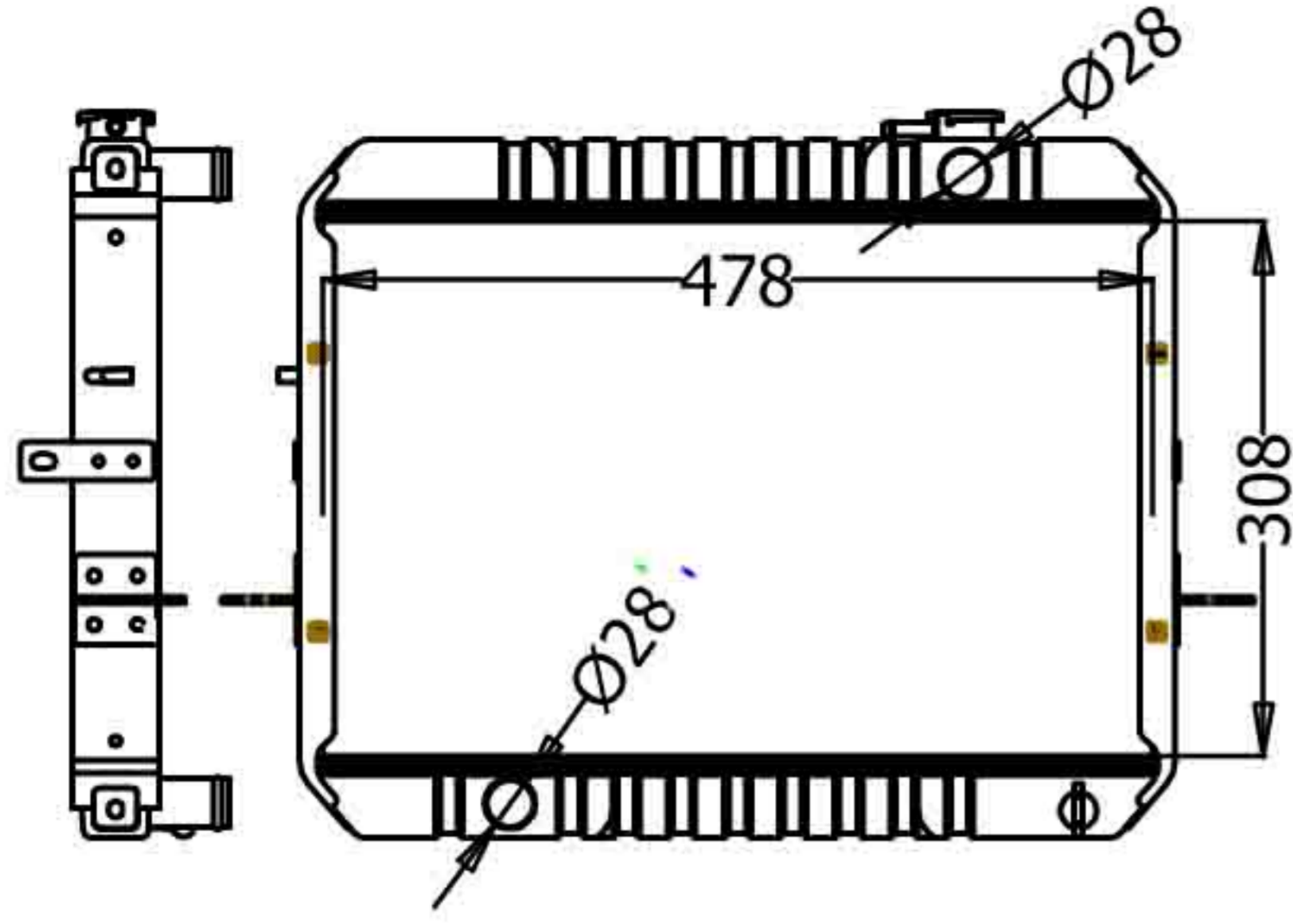
FD-0082

CARTYPE: FORD 野马  
 CORE SIZE:BC : 700\*458\*64 TANK SIZE:465\*78  
 CARTON:  
 OEM:  
 DPI:

## GM-32018

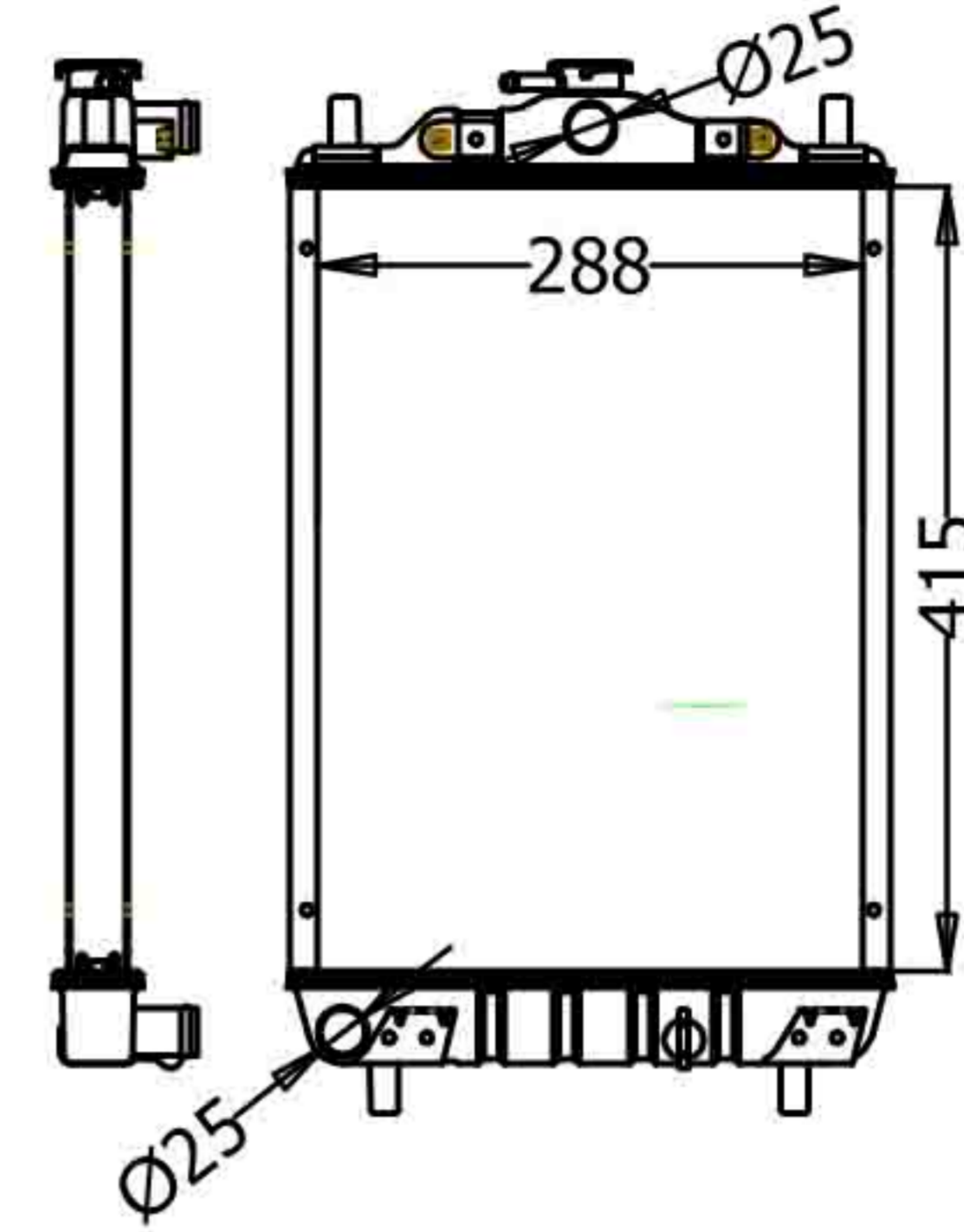
# GUOCHAN

**GU-10001**



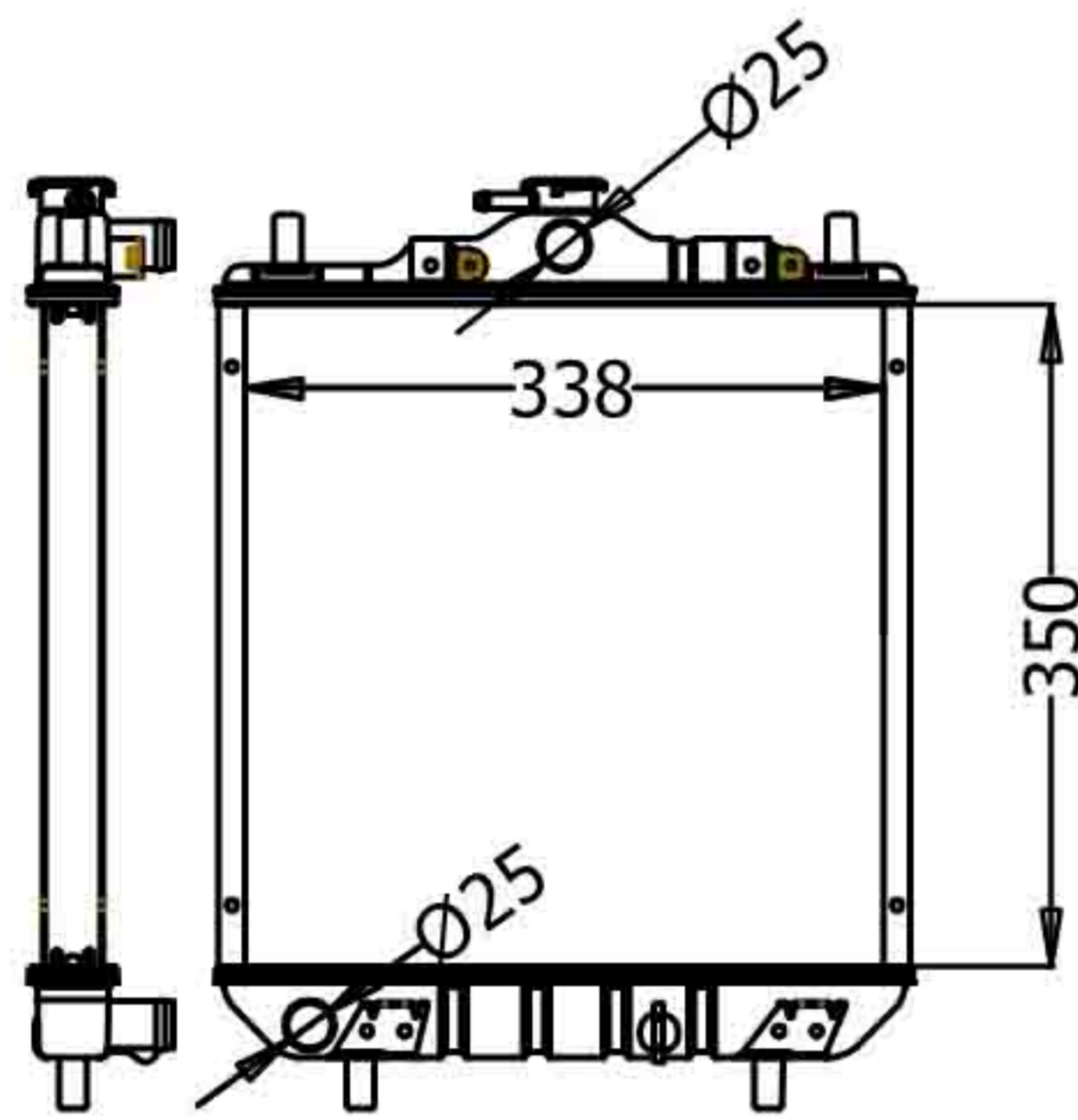
CARTYPE: CHANG AN JING YUE(长安景越) MT  
 CORE SIZE: BC 308x478x32 TANK SIZE: 490\*46  
 CARTON: 620\*460\*140  
 OEM:  
 DPI:

**GU-10002**



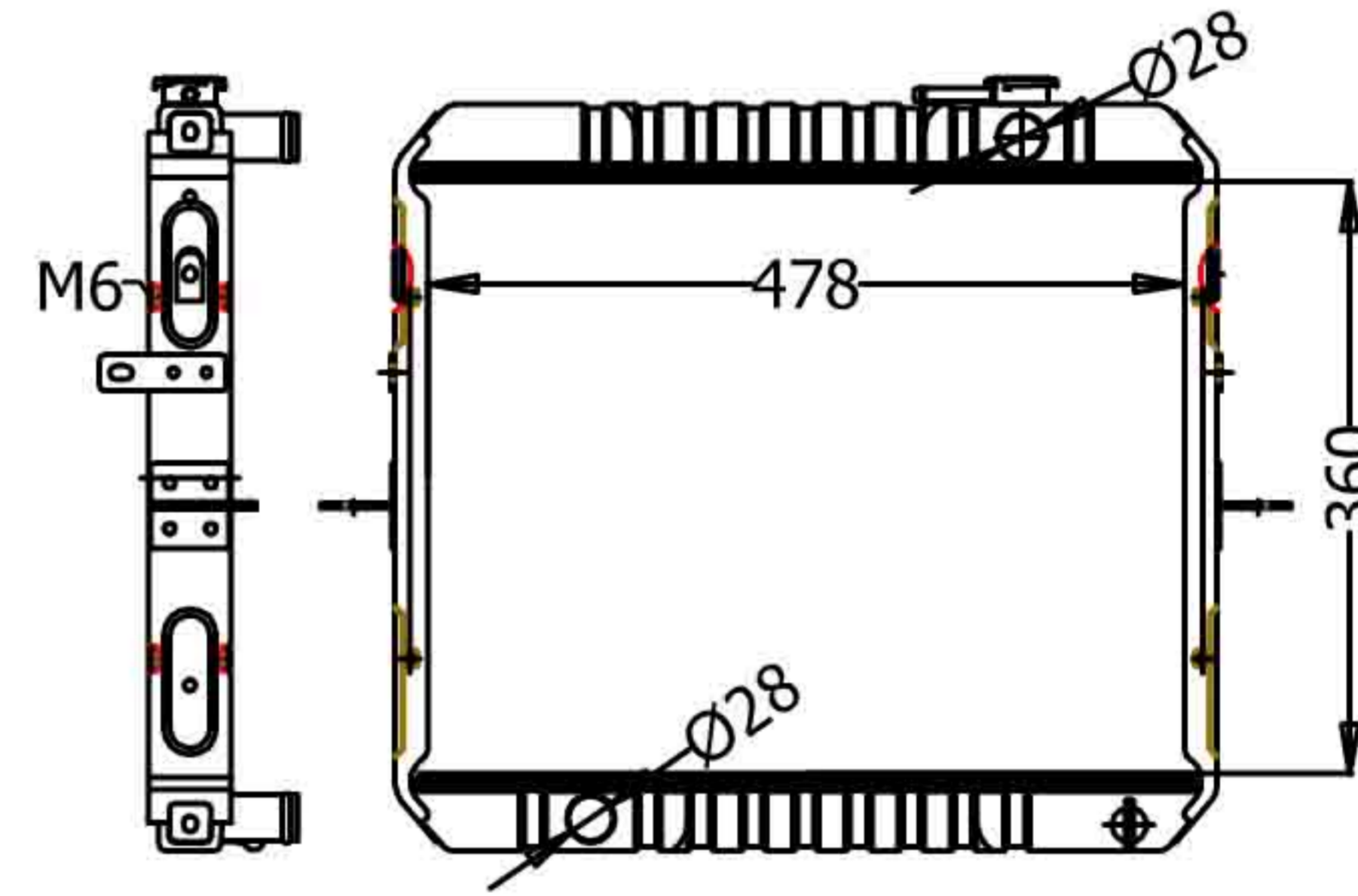
CARTYPE: WULING LIGHT(五菱之光) MT  
 CORE SIZE: BC 415x288x32 TANK SIZE: 317\*45  
 CARTON: 566\*330\*80  
 OEM:  
 DPI:

**GU-10003**



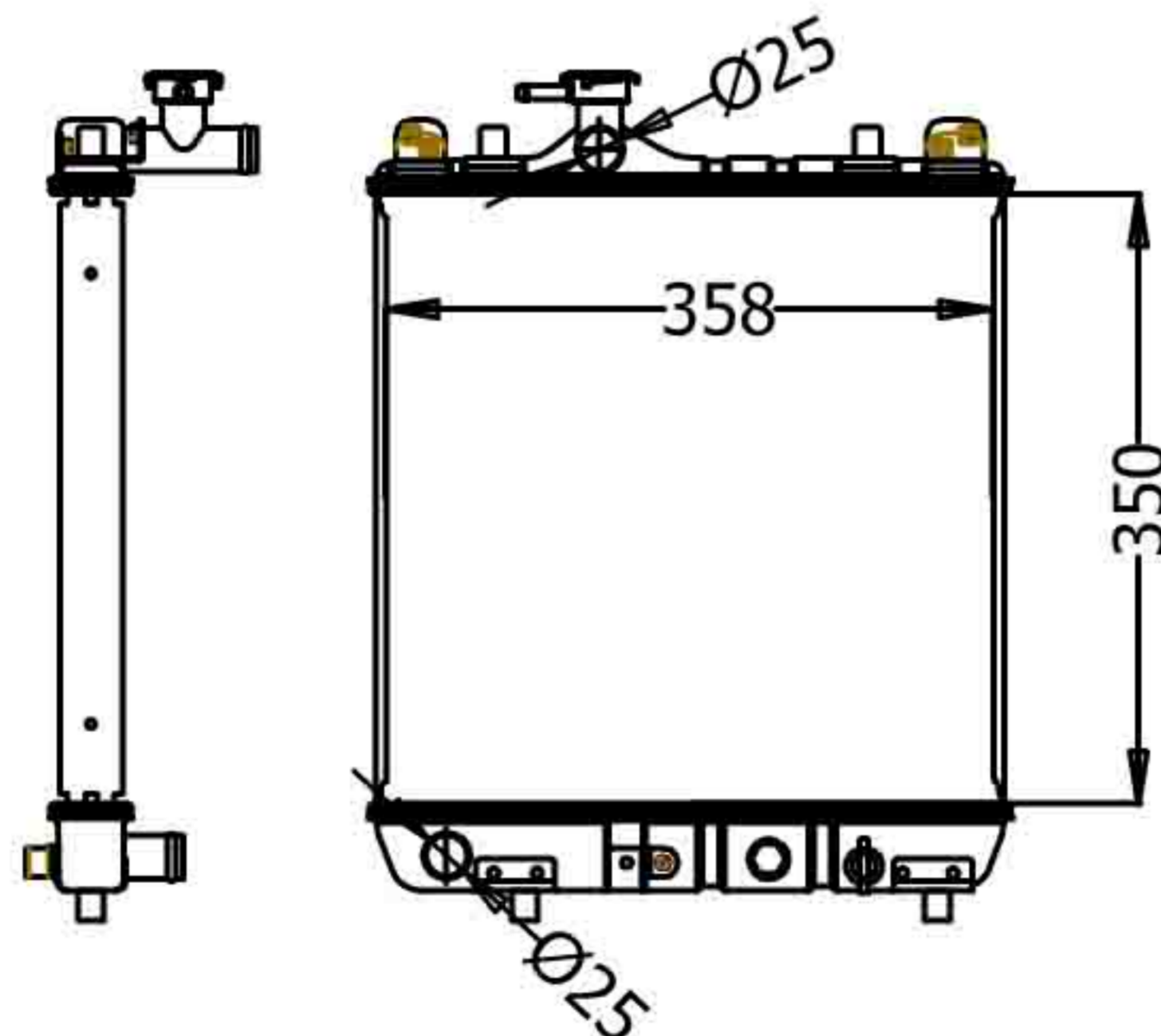
CARTYPE: STAR OF CHANG AN(长安之星) MT  
 CORE SIZE: BC 350x338x32 TANK SIZE: 367\*45  
 CARTON: 505\*390\*172  
 OEM:  
 DPI:

**GU-10004**



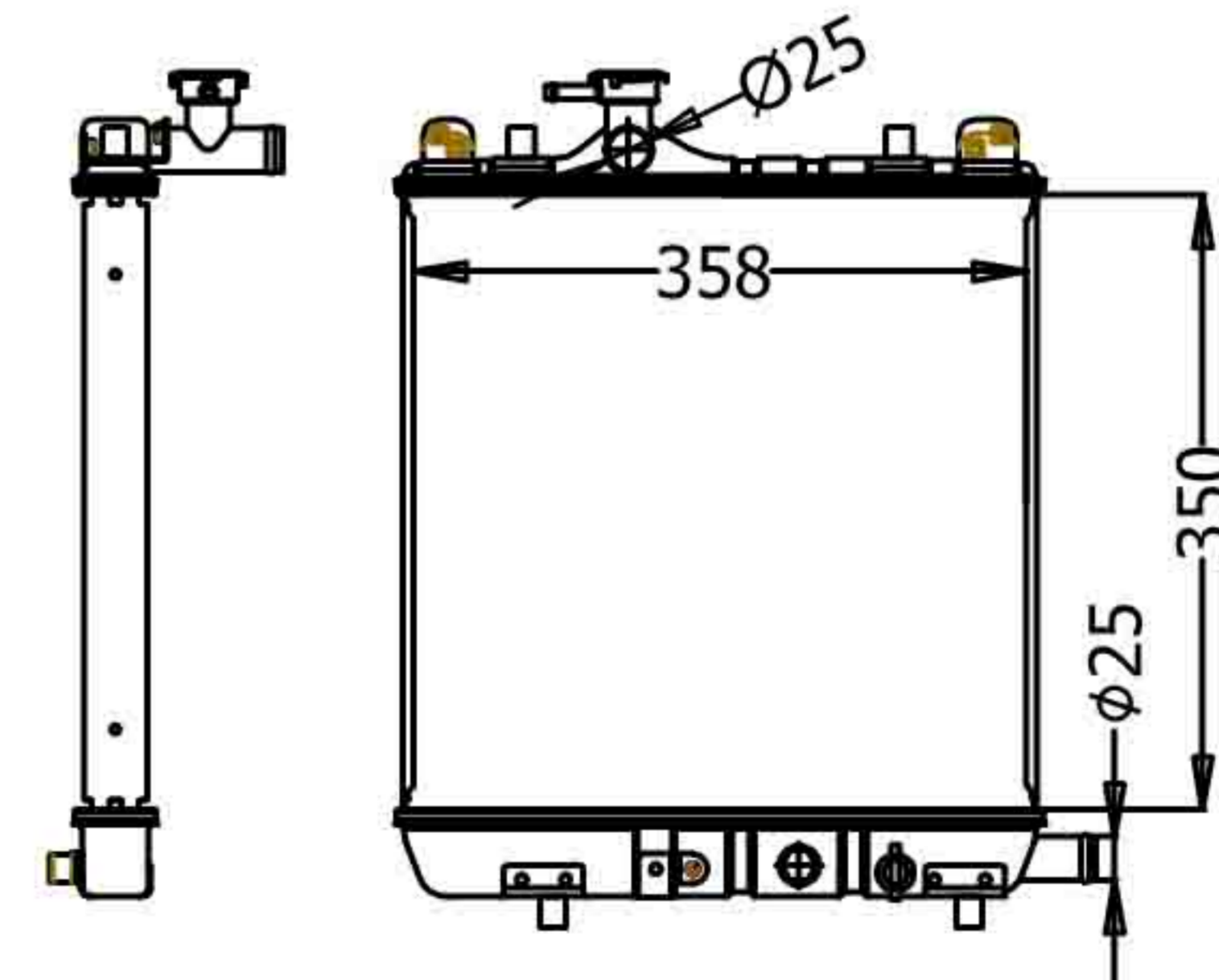
CARTYPE: PARDOSA(柴油星豹) MT  
 CORE SIZE: BC 360\*478\*32 TANK SIZE: 490\*46  
 CARTON:  
 OEM:  
 DPI:

**GU-10005**



CARTYPE: THE PLOUGH(北斗星 F10A) MT  
 CORE SIZE: BC 350\*358\*32 TANK SIZE: 367\*45  
 CARTON:  
 OEM:  
 DPI:

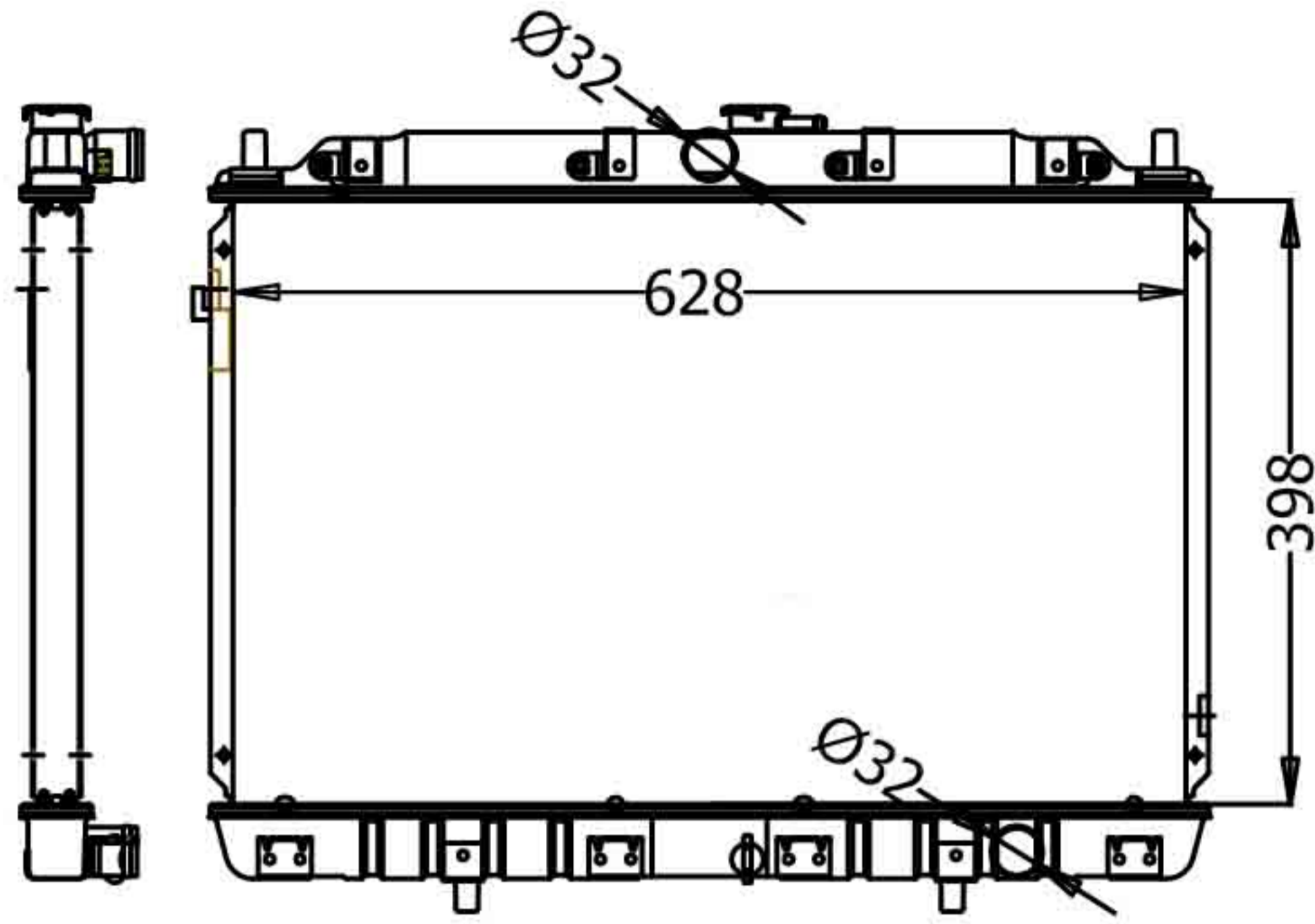
**GU-10006**



CARTYPE: STAR OF CHANG AN(长安之星K10A) MT  
 CORE SIZE: BC 350x358x32 TANK SIZE: 367\*45  
 CARTON:  
 OEM:  
 DPI:

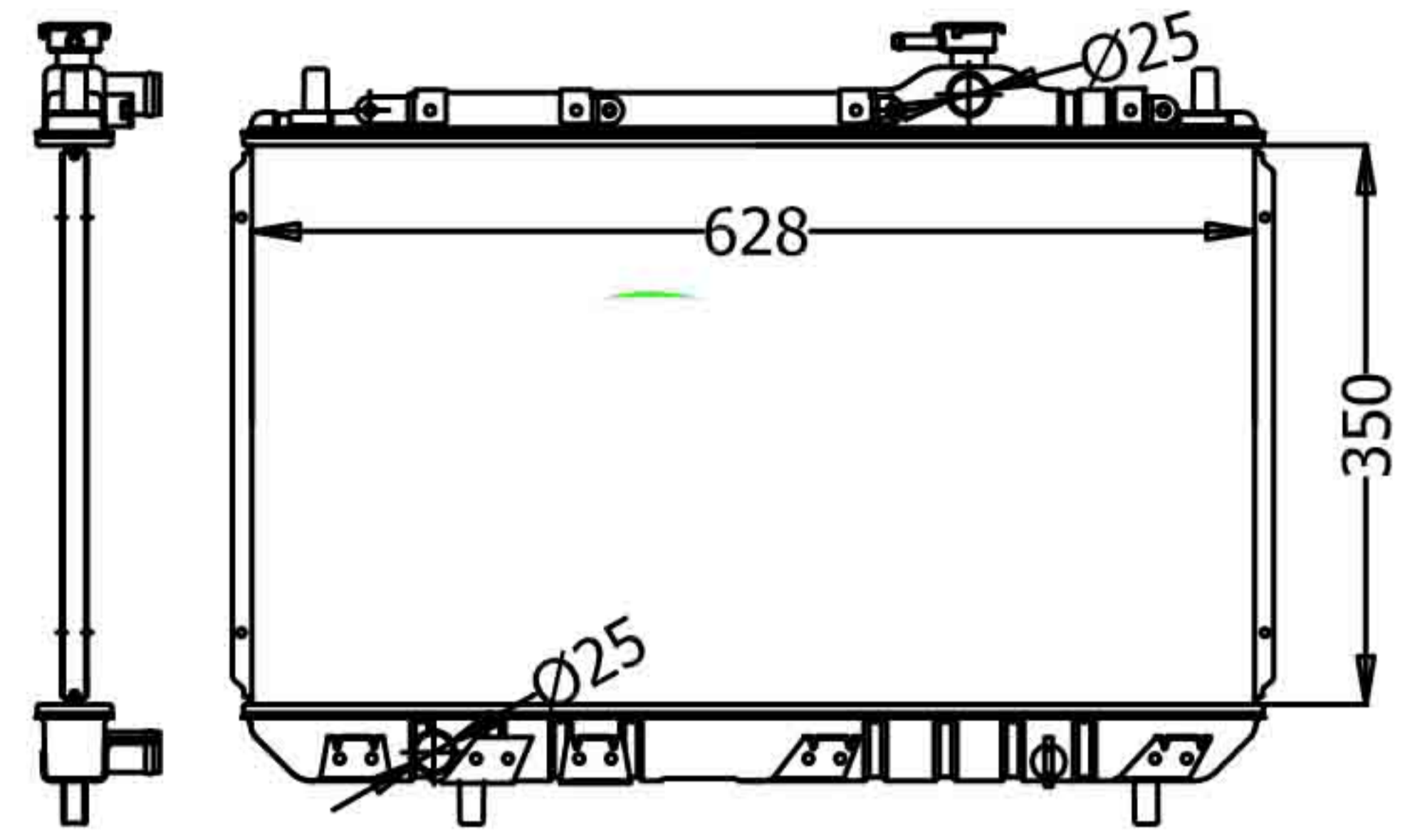
# GUOCHAN

**GU-10007**



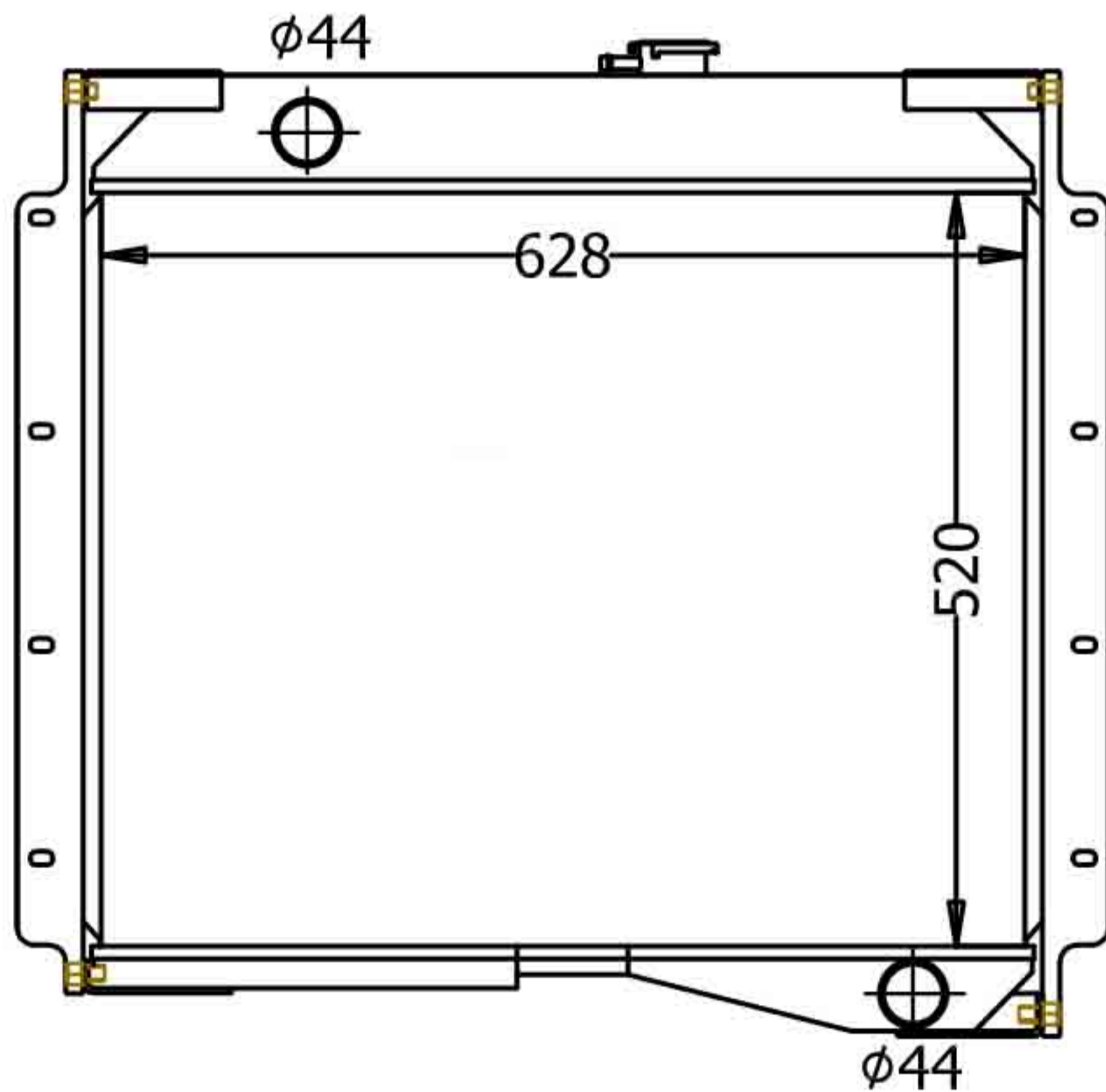
CARTYPE: WULING GLORY(五菱荣光) MT  
 CORE SIZE: BC 398\*628\*32 TANK SIZE: 657\*45  
 CARTON:  
 OEM:  
 DPI:

**GU-10008**



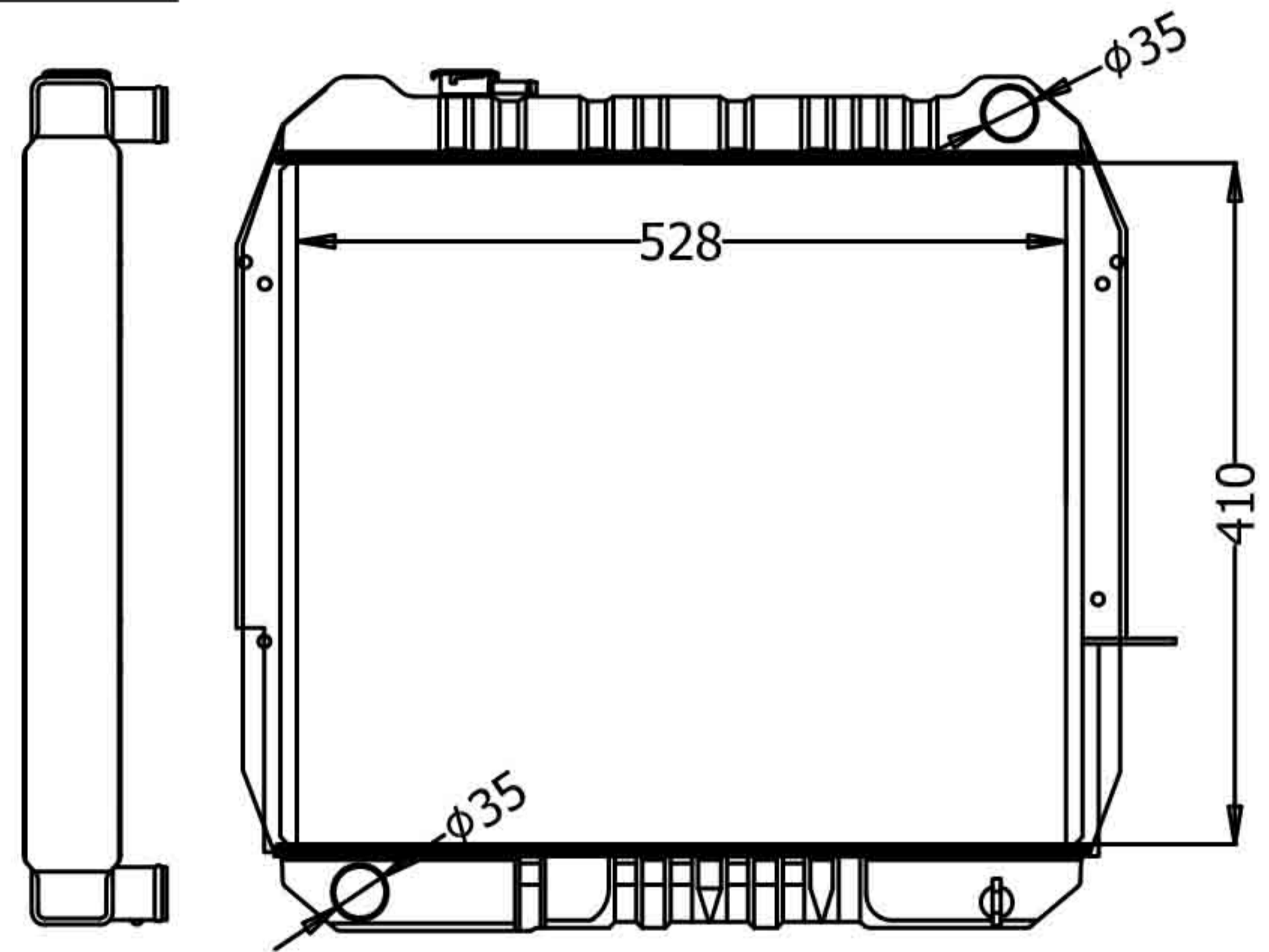
CARTYPE: CHANGAN (长安CM9) MT  
 CORE SIZE: BC 350\*628\*16 TANK SIZE: 460\*45  
 CARTON:  
 OEM:  
 DPI:

**GU-10009**



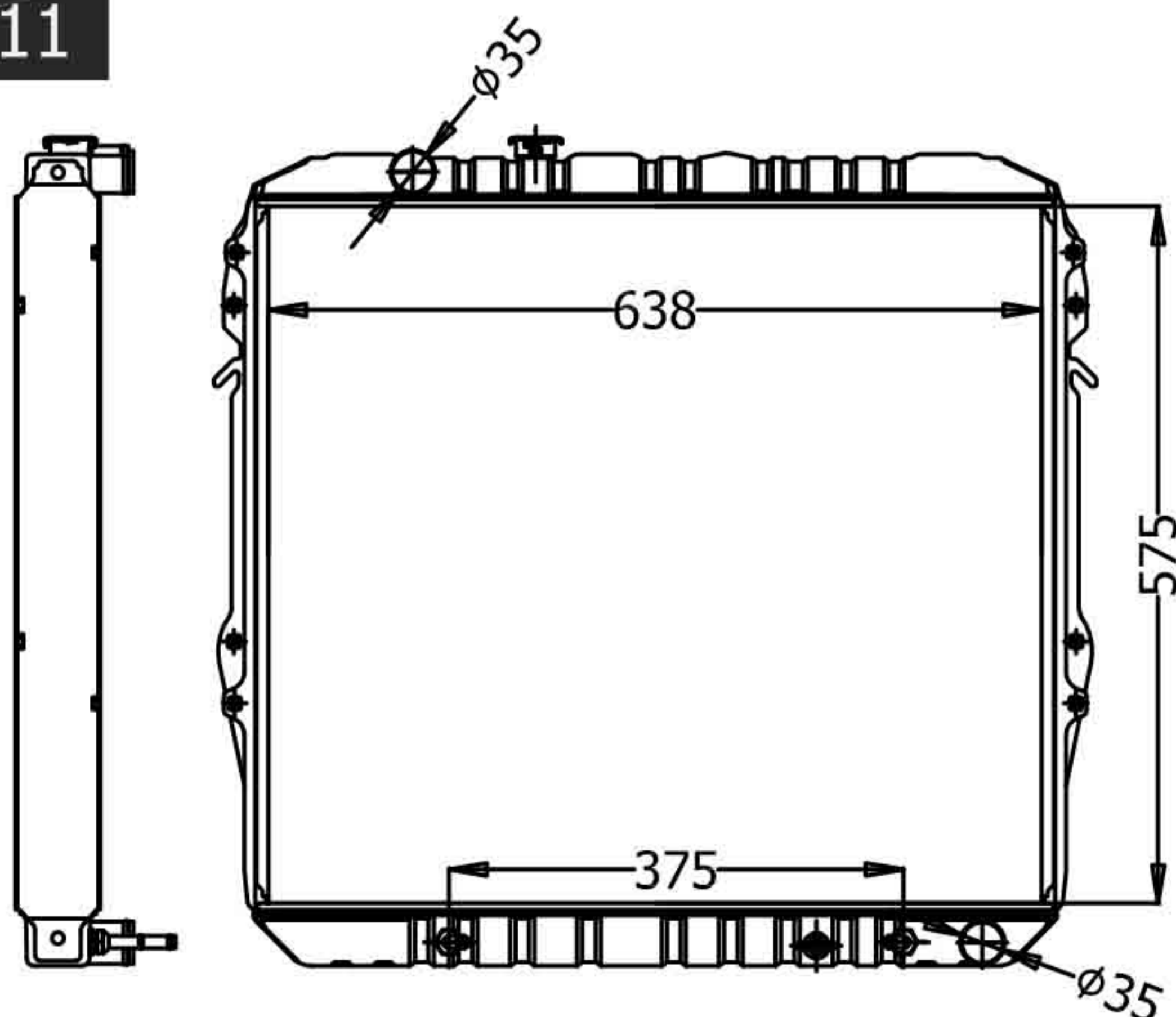
CARTYPE: DONGFENG LIBERATION(东风解放140) MT  
 CORE SIZE: BC 520\*628 TANK SIZE:  
 CARTON:  
 OEM:  
 DPI:

**GU-10010**



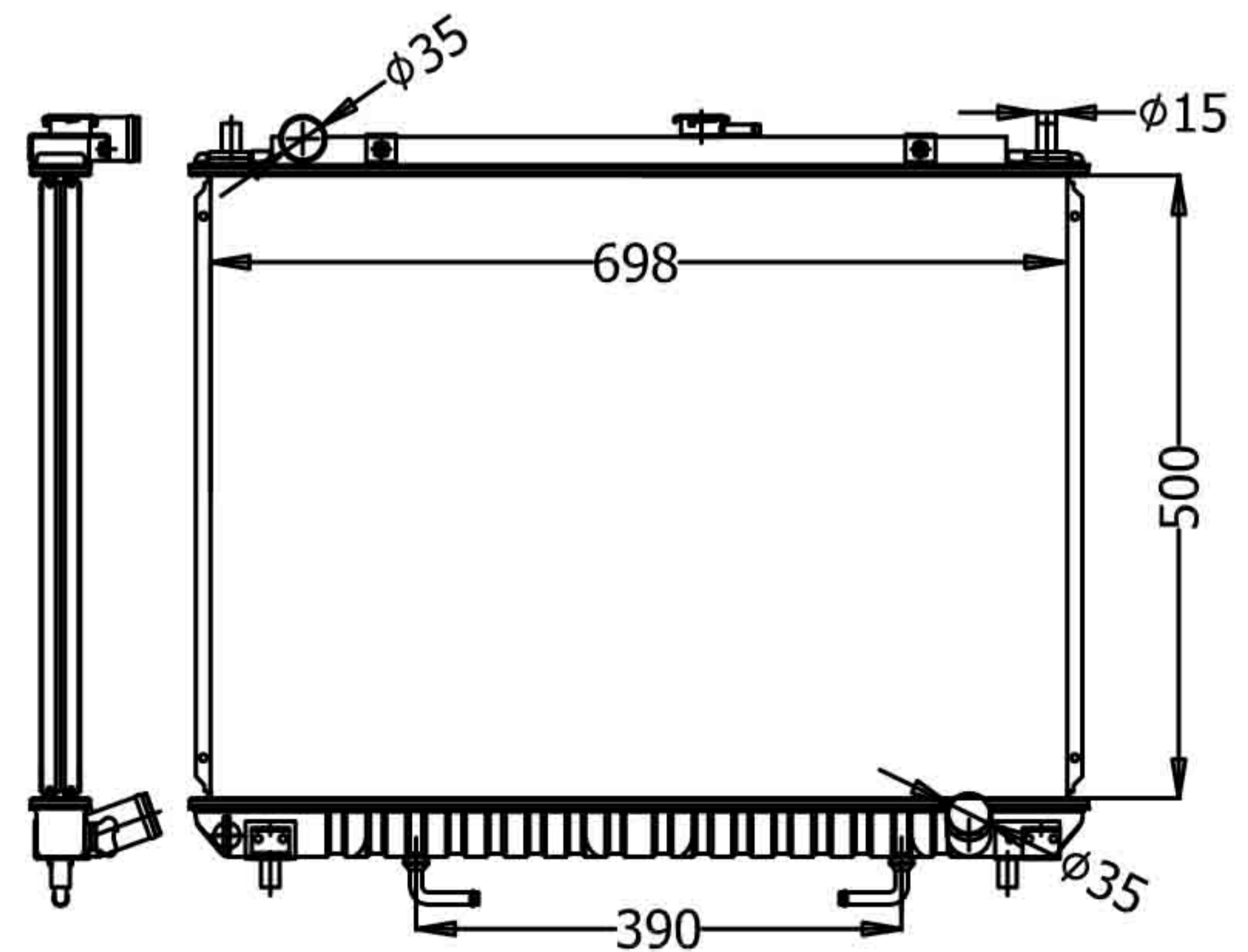
CARTYPE: CHEROKEE (切诺基) MT  
 CORE SIZE: BC 410\*528\*49 TANK SIZE: 535\*65  
 CARTON:  
 OEM:  
 DPI:

**GU-10011**



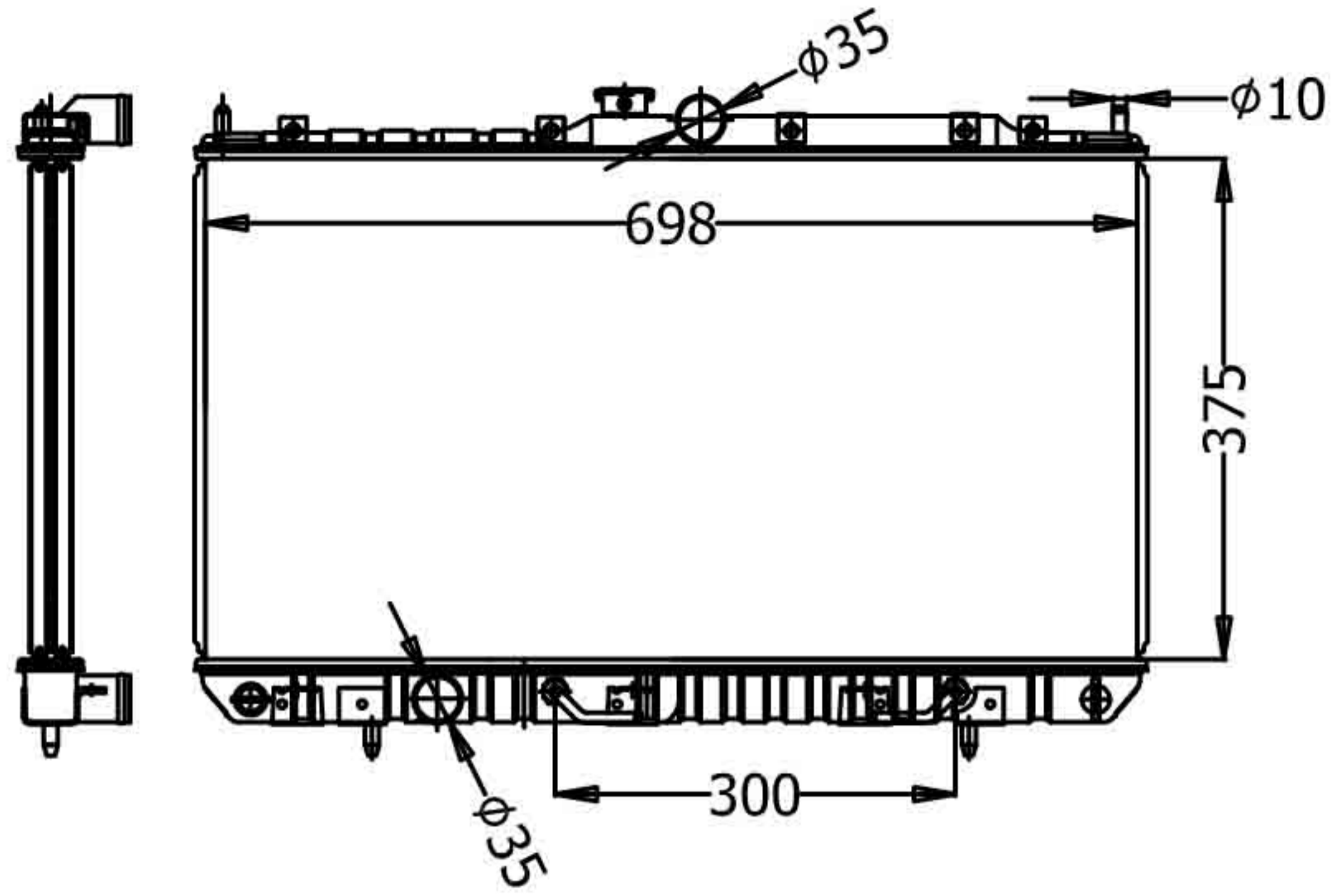
CARTYPE: DIESEL PRADO(柴油霸道)  
 CORE SIZE: BC 575\*638\*49 TANK SIZE: 655\*60  
 CARTON:  
 OEM:  
 DPI:

**GU-10012**



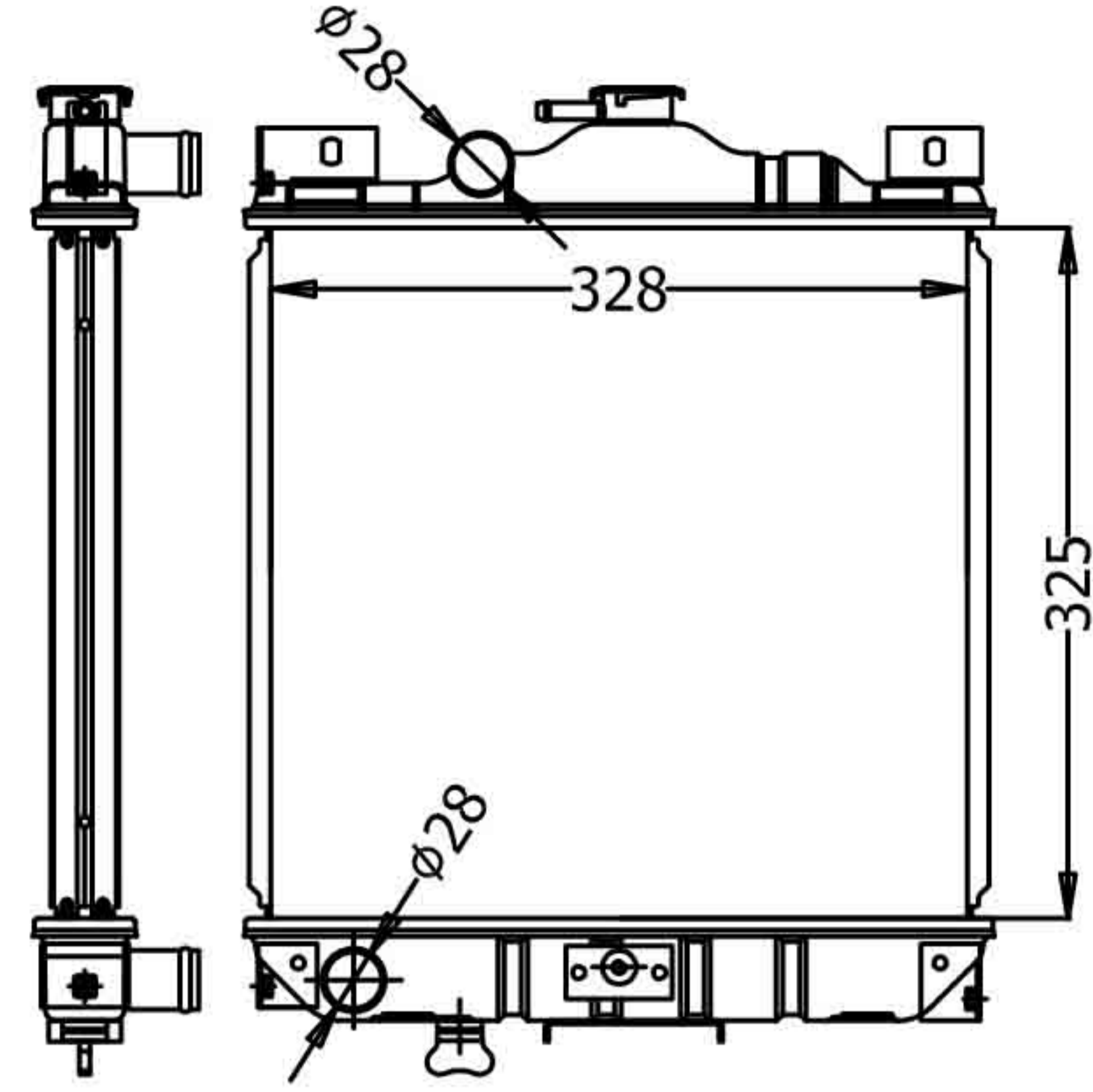
CARTYPE: V73-3  
 CORE SIZE: BC 500\*698\*49 TANK SIZE: 715\*60  
 CARTON:  
 OEM: MN135951/MN135949  
 DPI:

## GU-10013



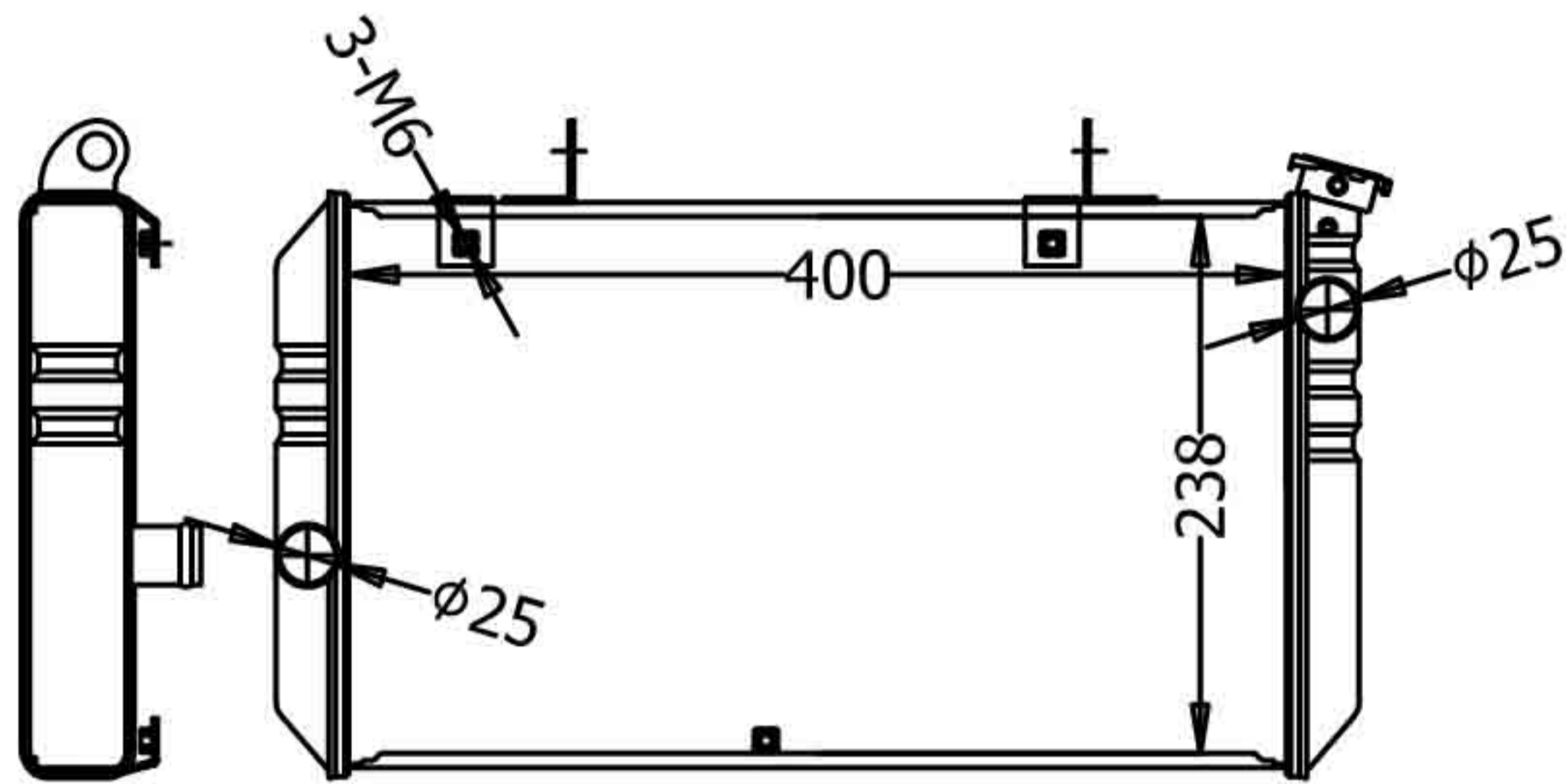
CARTYPE: LANCER(蓝瑟)  
 CORE SIZE: BC 375\*698\*32 TANK SIZE: 710\*46  
 CARTON:  
 OEM: MR571798/MR993259  
 DPI:

## GU-10014



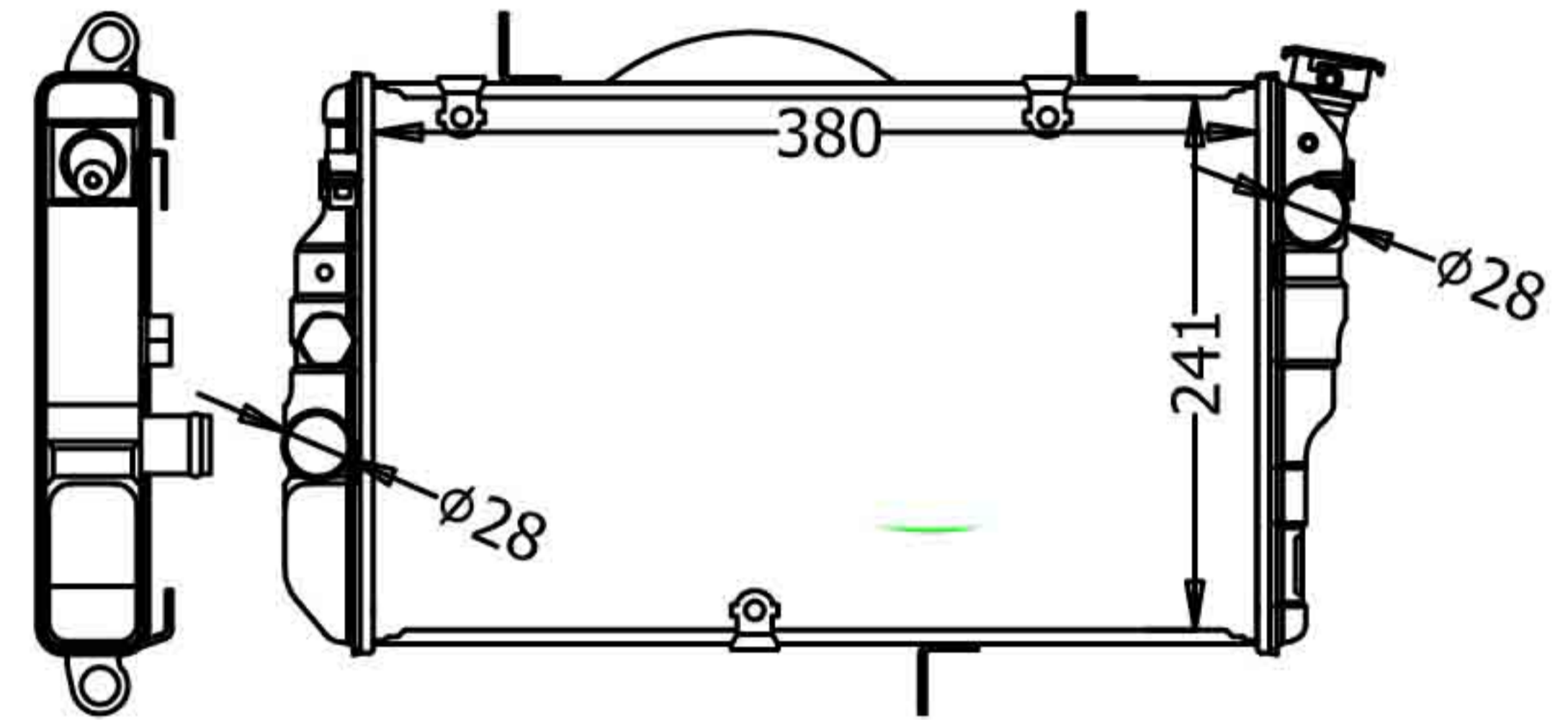
CARTYPE: SUZUKI BELL SHEEP (铃木羚羊) MT  
 CORE SIZE: BC 325\*328\*32 TANK SIZE: 350\*46  
 CARTON:  
 OEM:  
 DPI:

## GU-10015



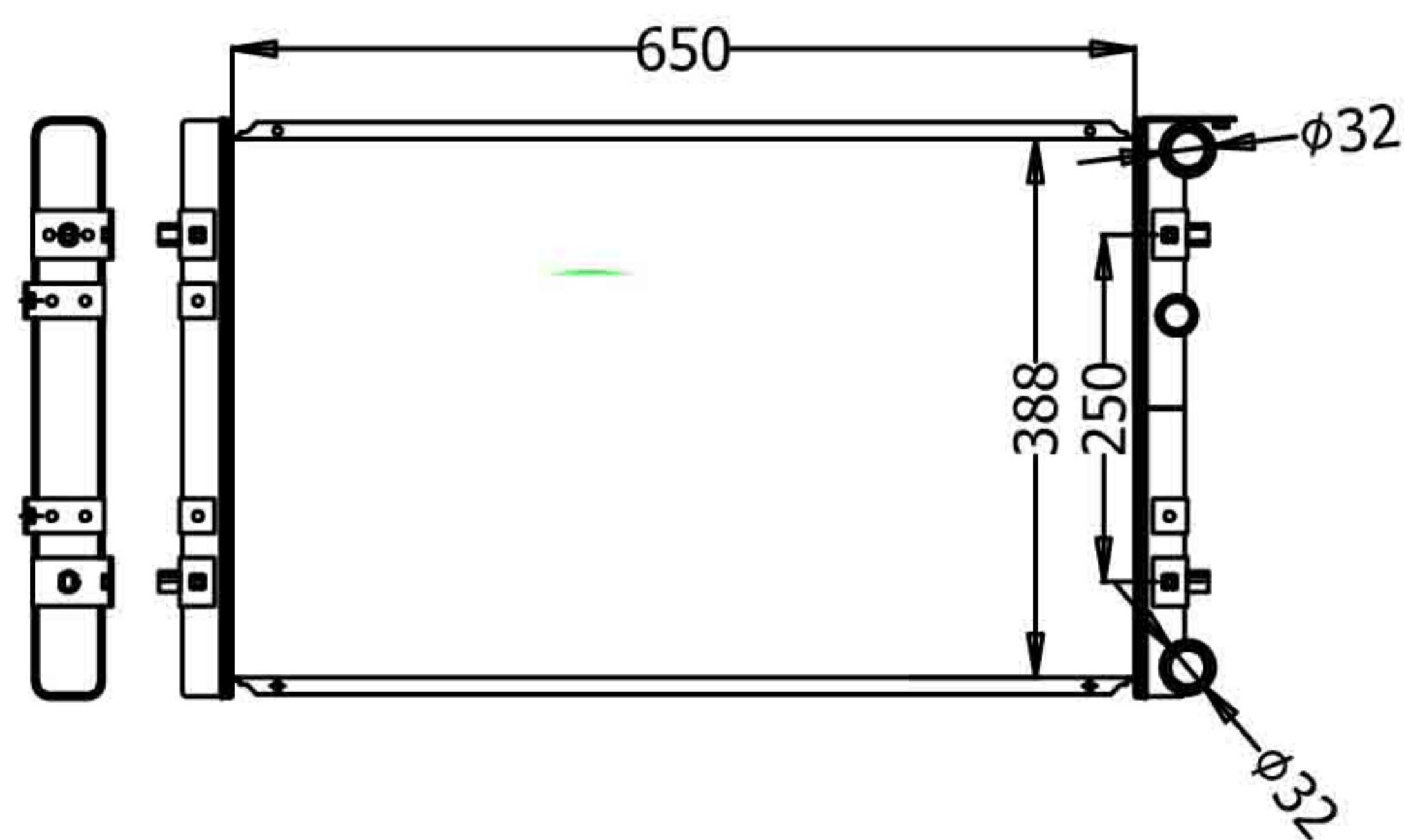
CARTYPE: MOTORCYCLE (摩托车) MT  
 CORE SIZE: BC 400\*238\*32 TANK SIZE: 247\*45  
 CARTON:  
 OEM:  
 DPI:

## GU-10016



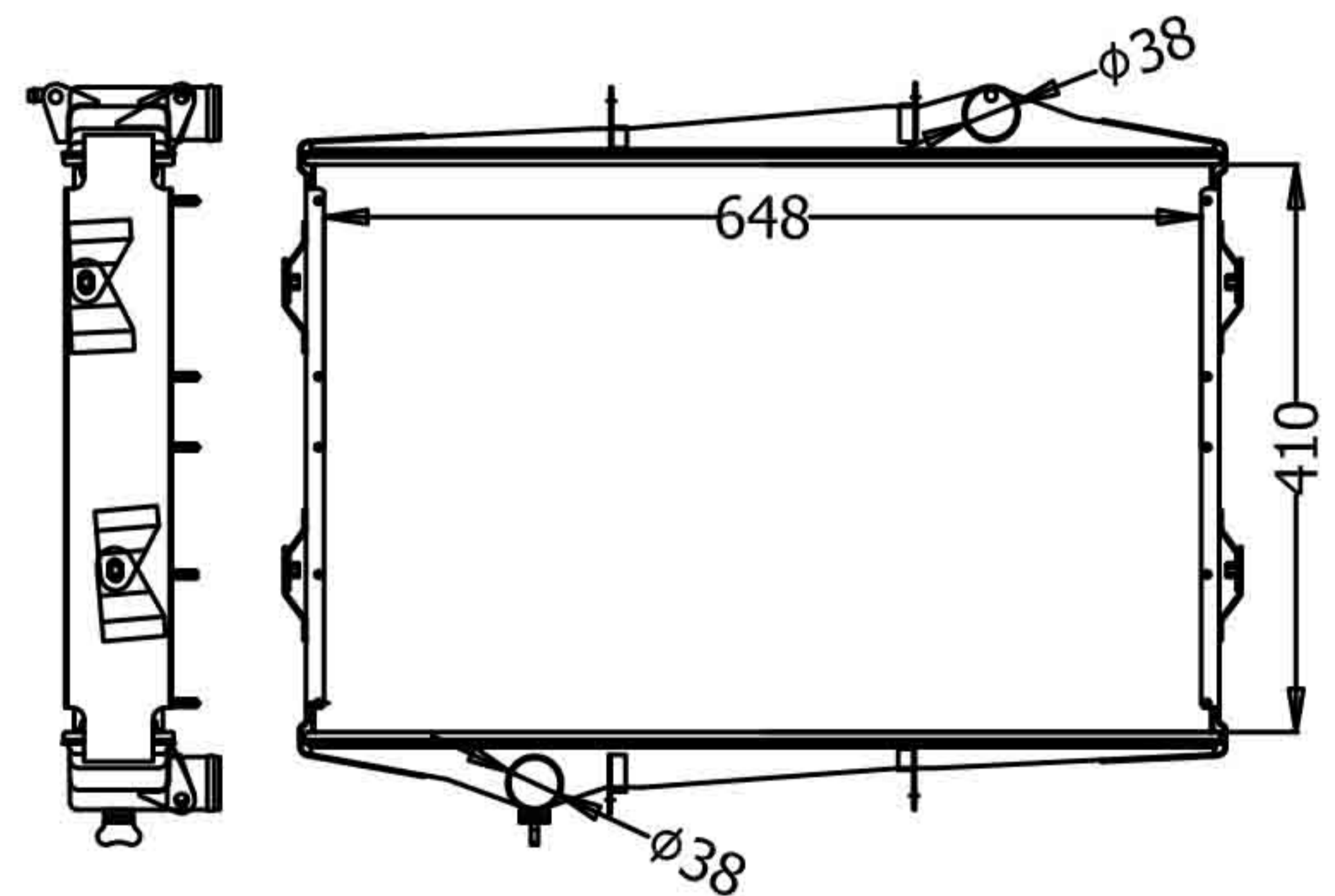
CARTYPE: THE BLACKBIRD MOTORCYCLE (黑鸟摩托车) MT  
 CORE SIZE: BC 380\*241\*36 TANK SIZE: 350\*46  
 CARTON:  
 OEM:  
 DPI:

## GU-10017



CARTYPE: THE 06 BOLLYWOOD REPAIR BOX (06宝莱坞维修箱) MT  
 CORE SIZE: BC 650\*388\*32 TANK SIZE: 415\*48  
 CARTON:  
 OEM:  
 DPI:

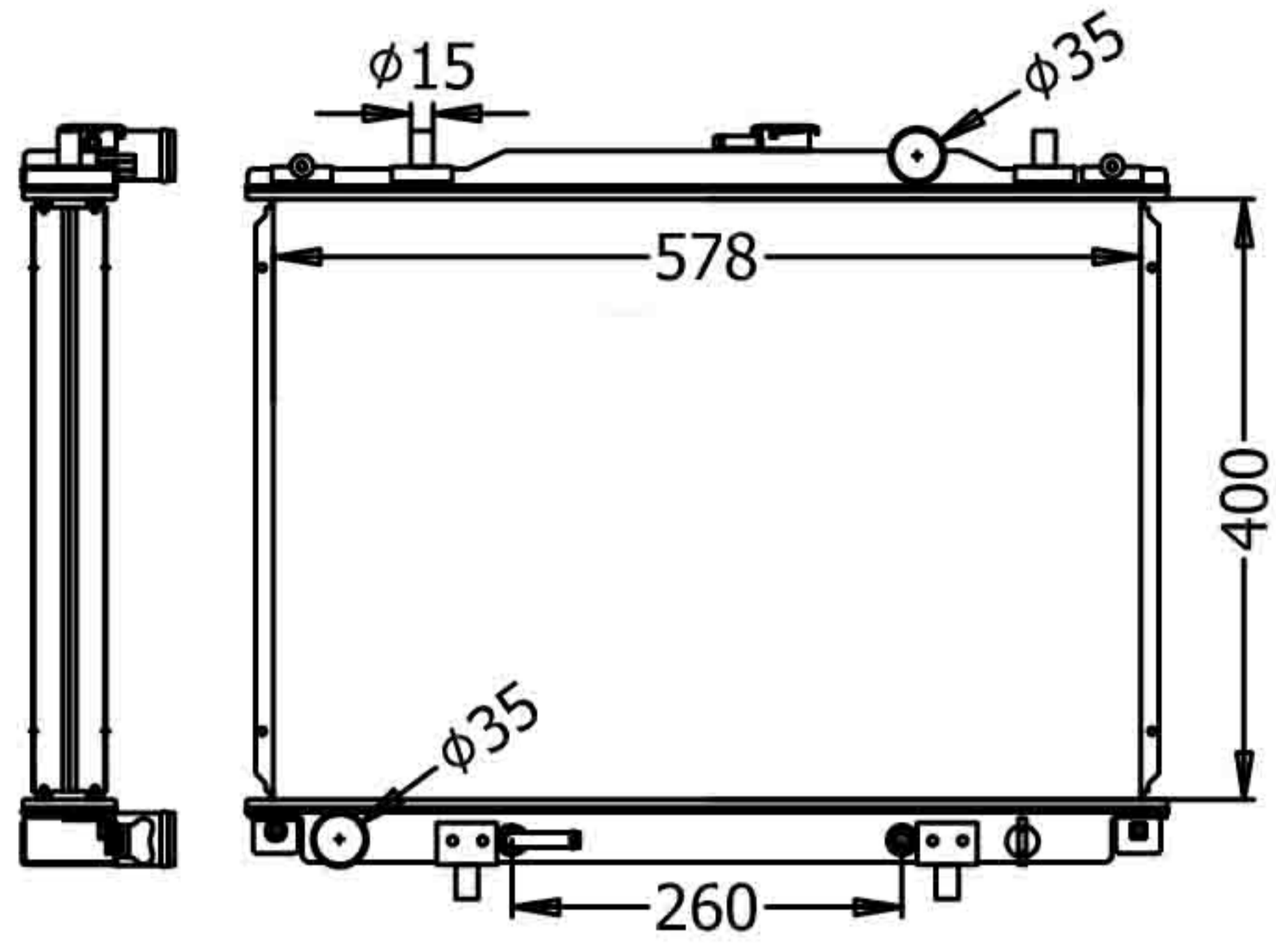
## GU-10018



CARTYPE: MT  
 CORE SIZE: BC 410\*648\*64 TANK SIZE: 655\*78  
 CARTON:  
 OEM:  
 DPI:

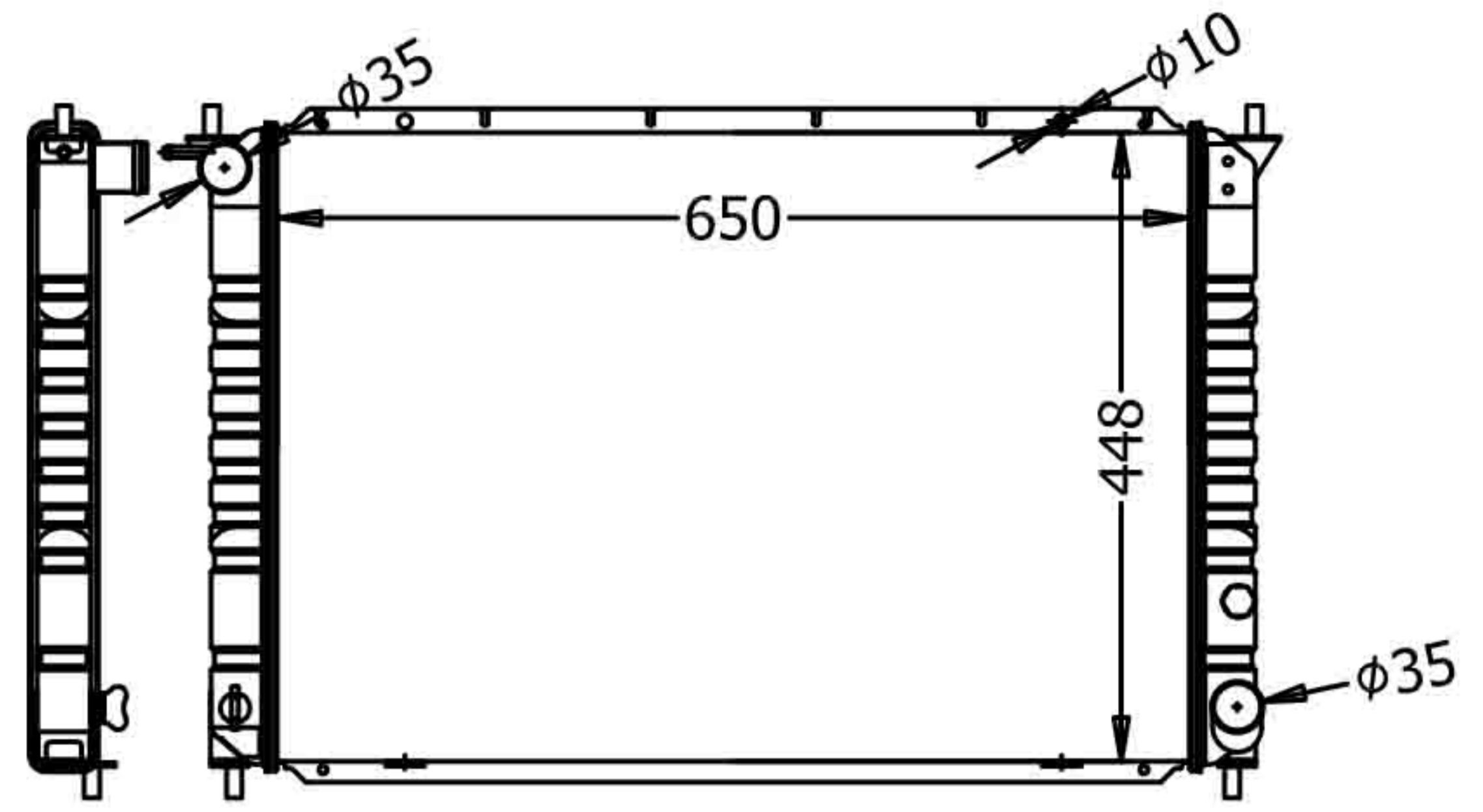
# GUOCHAN

**GU-10019**



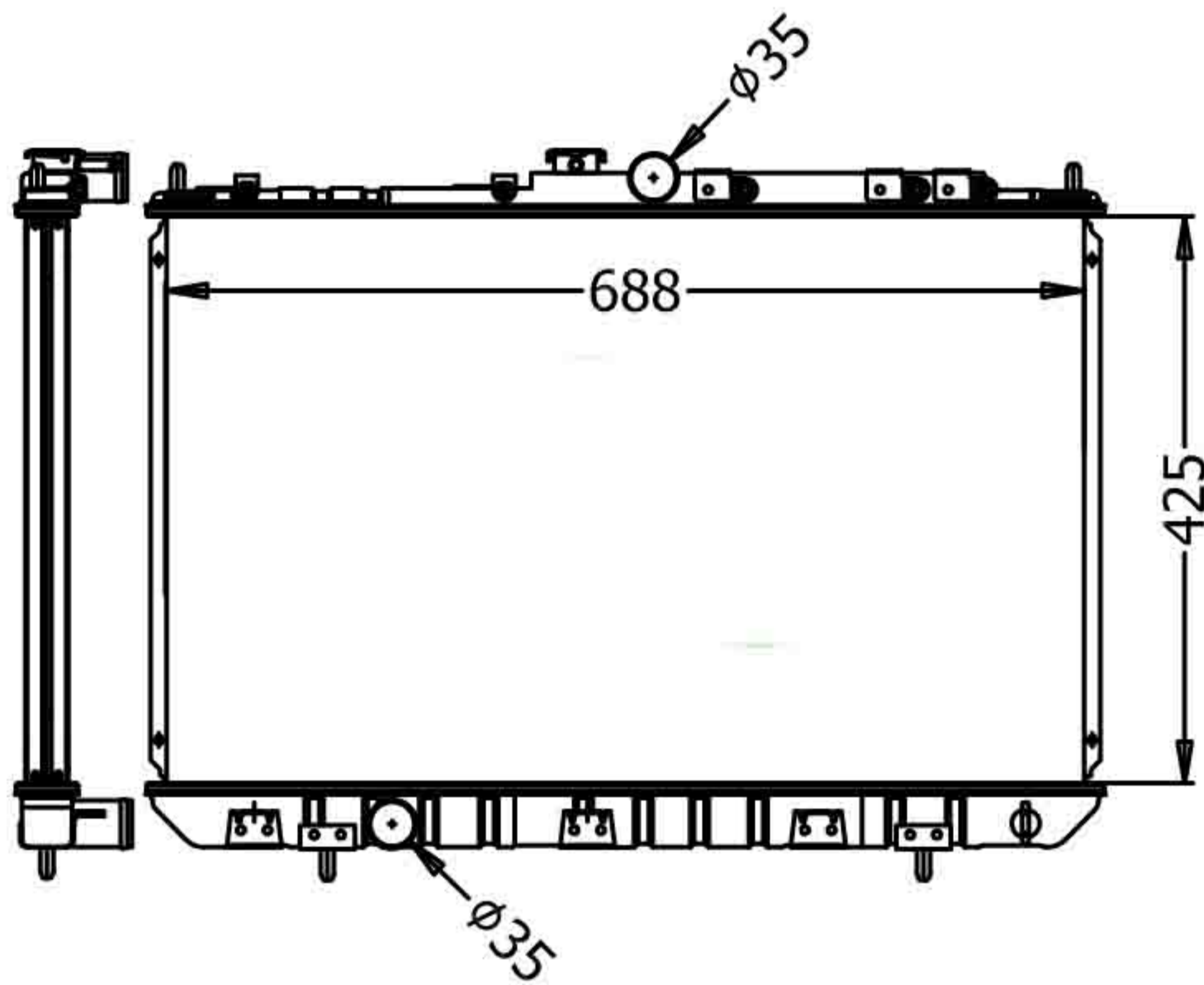
CARTYPE: FREECA(富利卡波8-3R)  
 CORE SIZE: BC 400\*578\*49 TANK SIZE: 612\*60  
 CARTON:  
 OEM:  
 DPI:

**GU-10020**



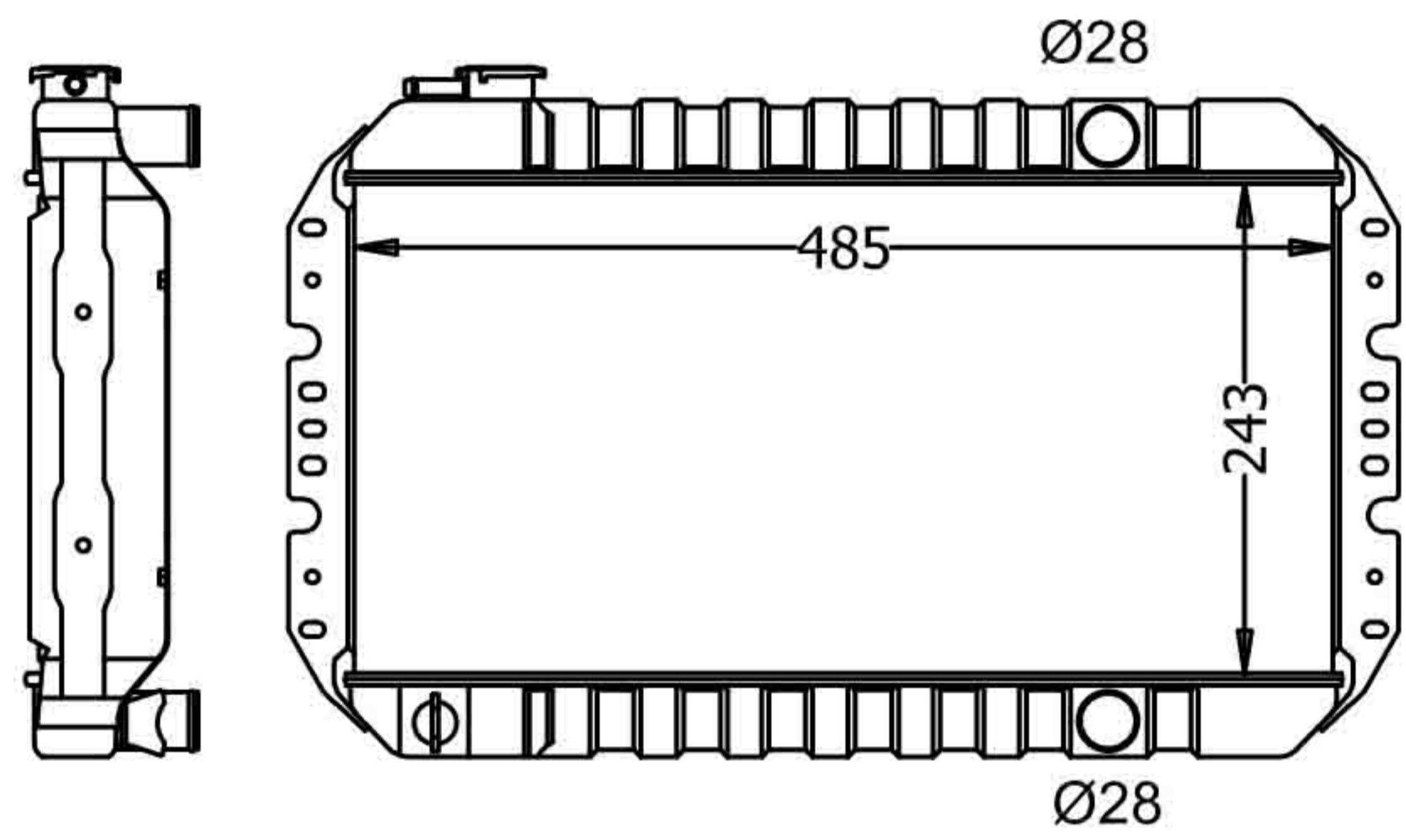
CARTYPE:REPHEN(柴油版润丰)  
 CORE SIZE:BC 650\*448\*32 TANK SIZE: 460\*46  
 CARTON:  
 OEM:  
 DPI:

**GU-10021**



CARTYPE:OUTLANDER(欧兰德)  
 CORE SIZE: BC 425\*688\*32 TANK SIZE: 717\*45  
 CARTON:  
 OEM:  
 DPI:

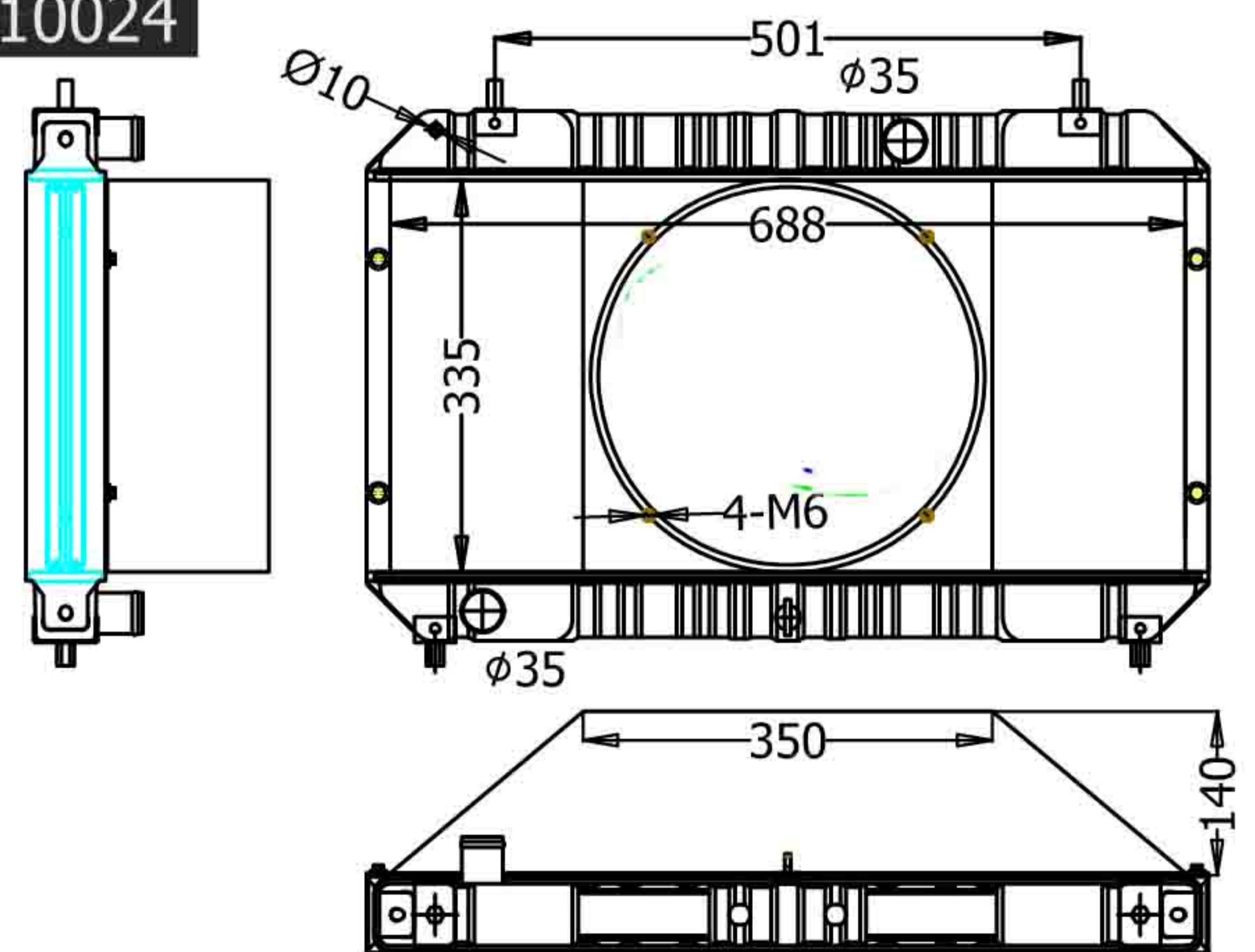
**GU-10022**



CARTYPE: SUZUKI  
 CORE SIZE: BC : 243\*485\*32 TANK SIZE: 50\*494  
 CARTON:  
 OEM:  
 DPI:

**GU-10023**

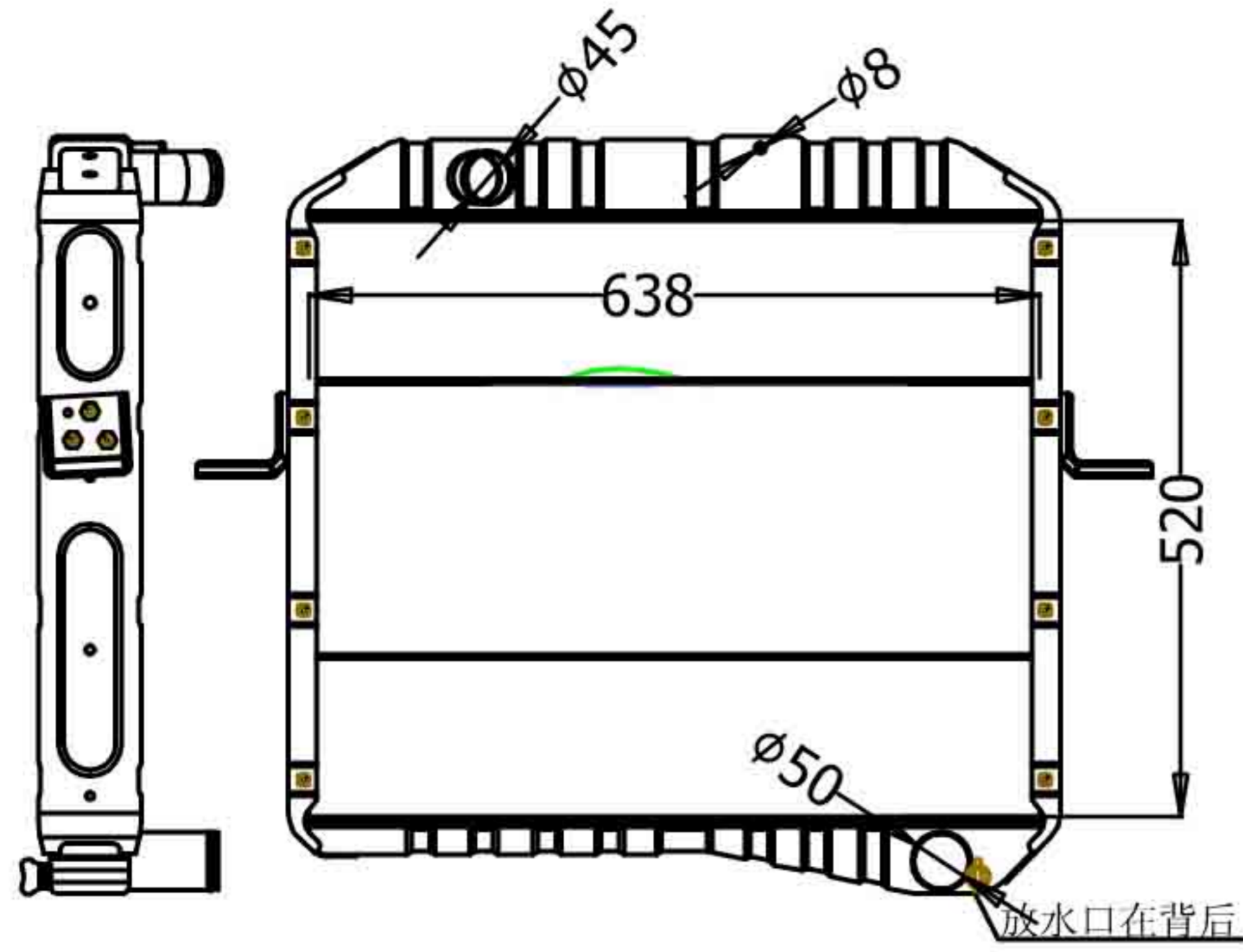
**GU-10024**



CARTYPE: 电动车水箱  
 CORE SIZE: BC :335\*688\*32 TANK SIZE:705\*60  
 CARTON:  
 OEM:  
 DPI:

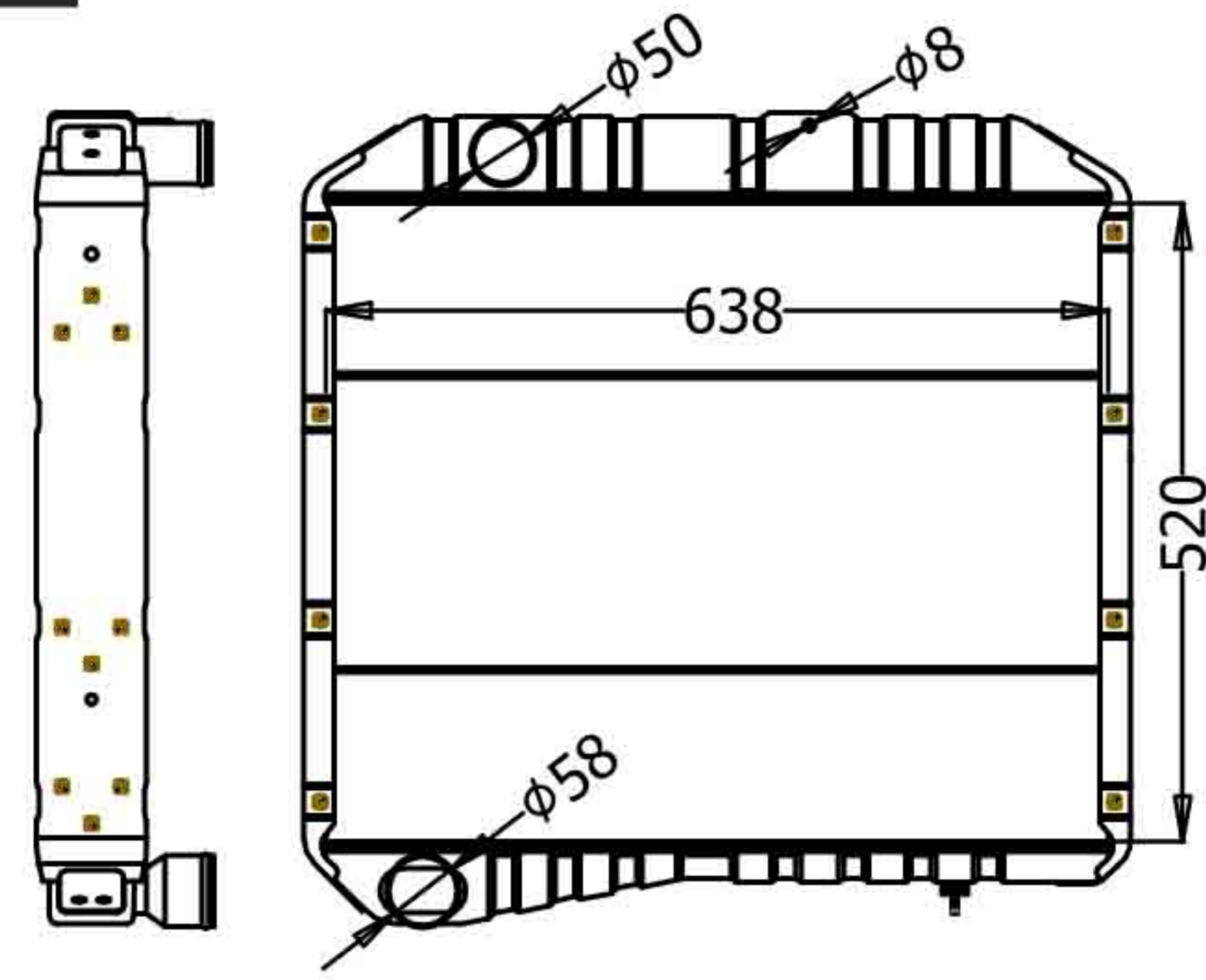
# CUMMINS

**EQ-19001**



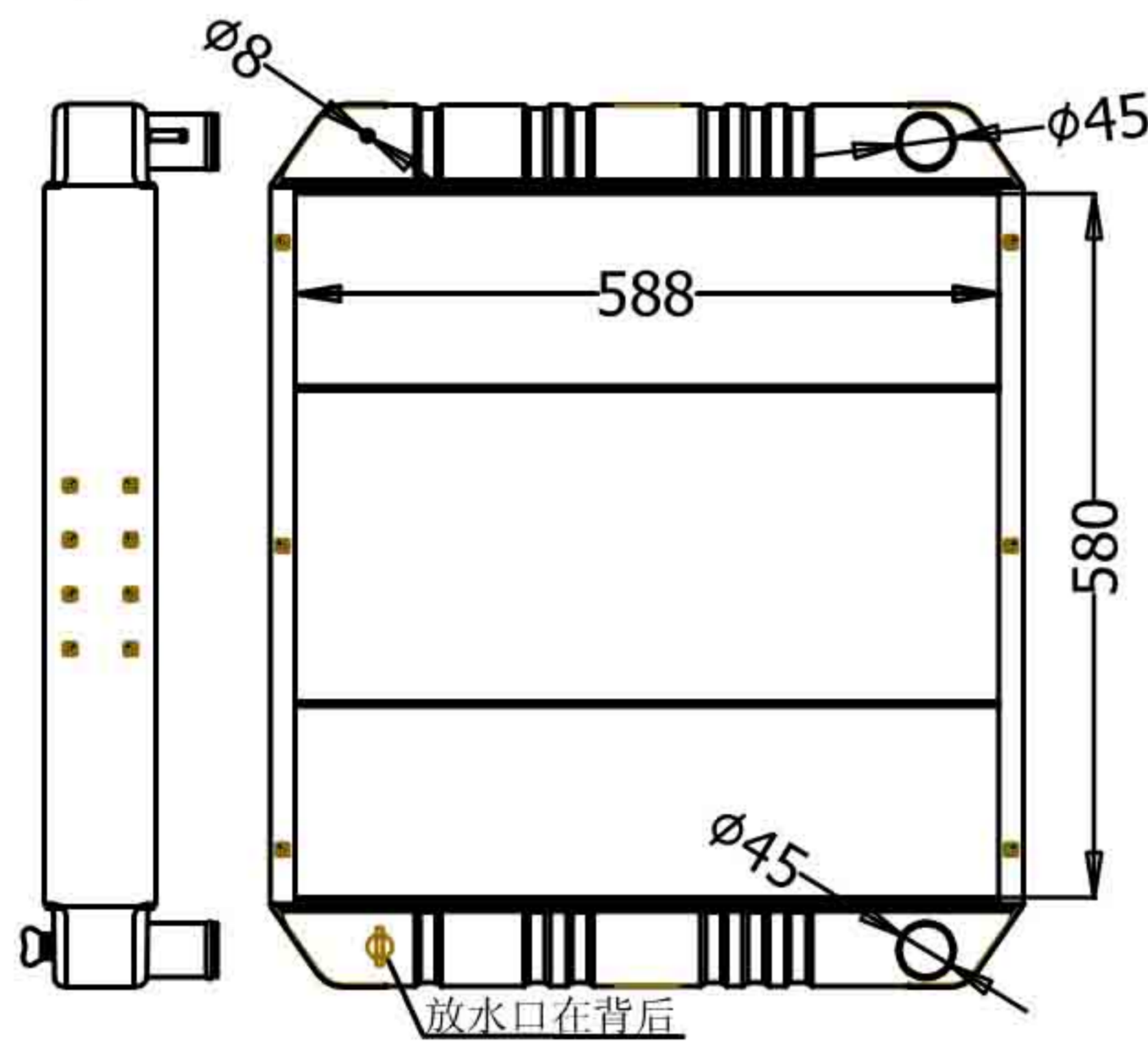
CARTYPE: EQ153(东风康明斯) MT  
 CORE SIZE: BC 520\*638\*64 TANK SIZE: 645\*78  
 CARTON:  
 OEM:  
 DPI:

**EQ-19002**



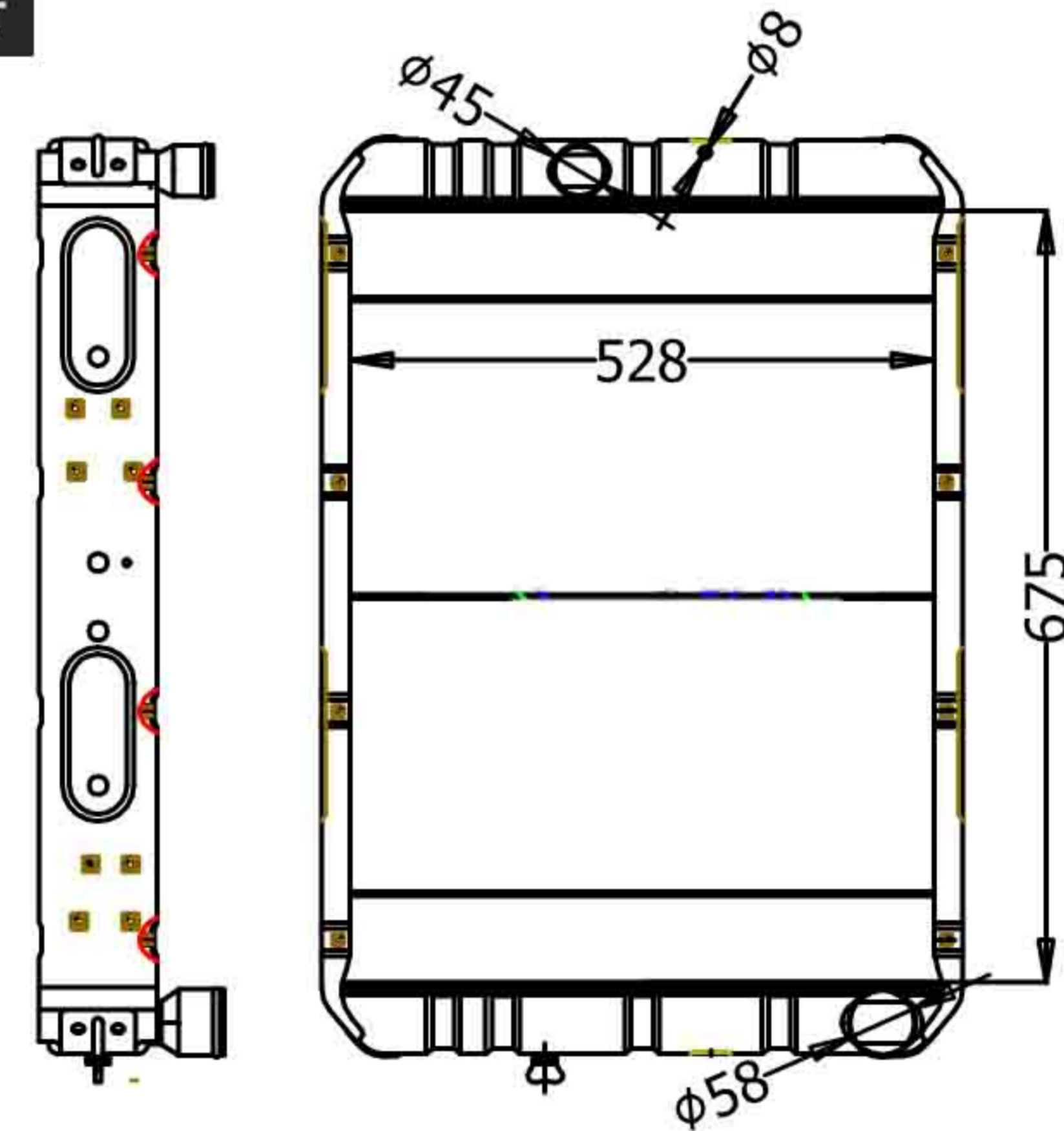
CARTYPE: DONGFENG CHENGLONG(东风乘龙) MT  
 CORE SIZE: BC 520\*638\*64 TANK SIZE: 645\*78  
 CARTON:  
 OEM:  
 DPI:

**EQ-19003**



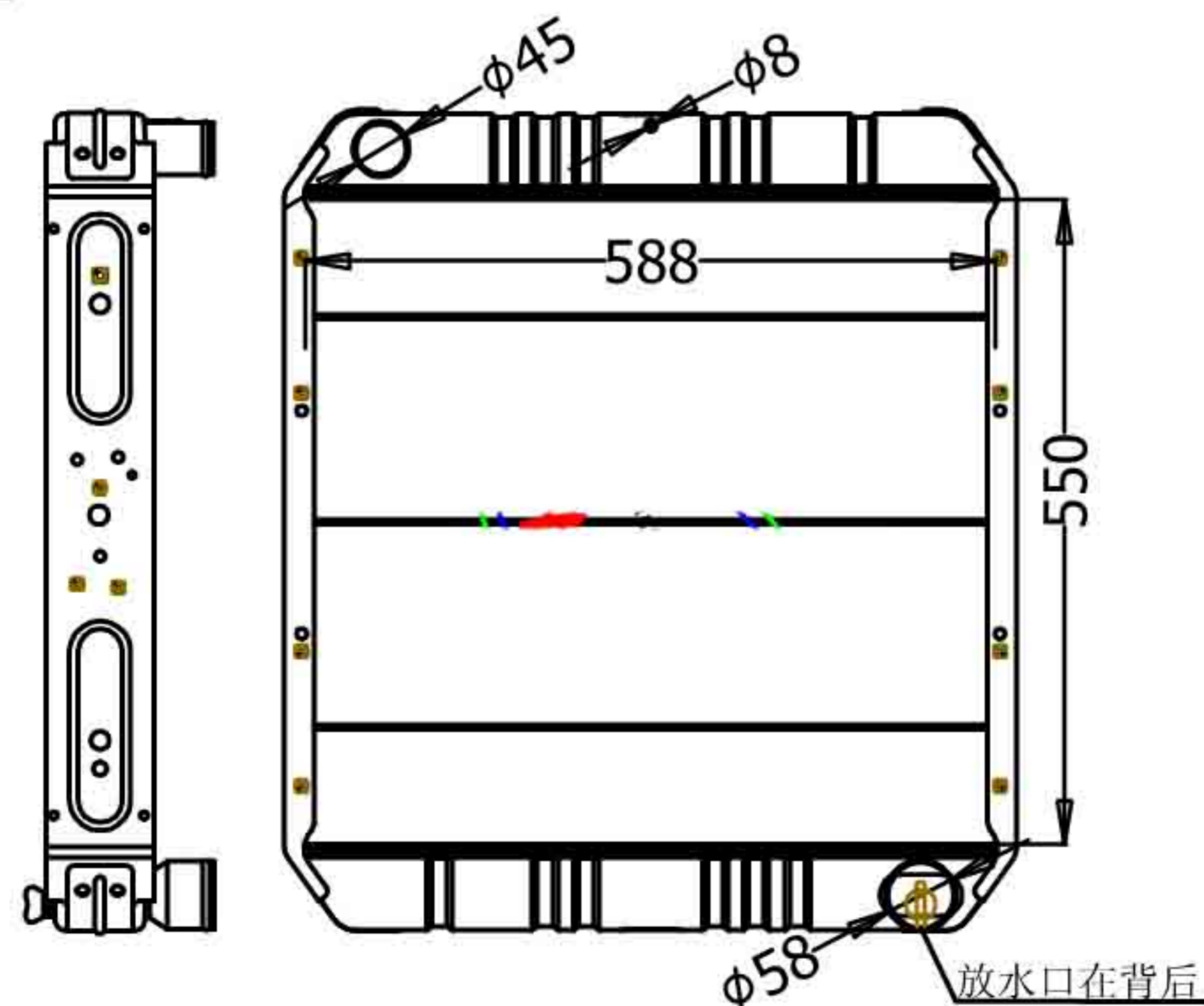
CARTYPE: JAC(江淮) MT  
 CORE SIZE: BC 580\*588\*64 TANK SIZE: 610\*85  
 CARTON:  
 OEM:  
 DPI:

**EQ-19004**



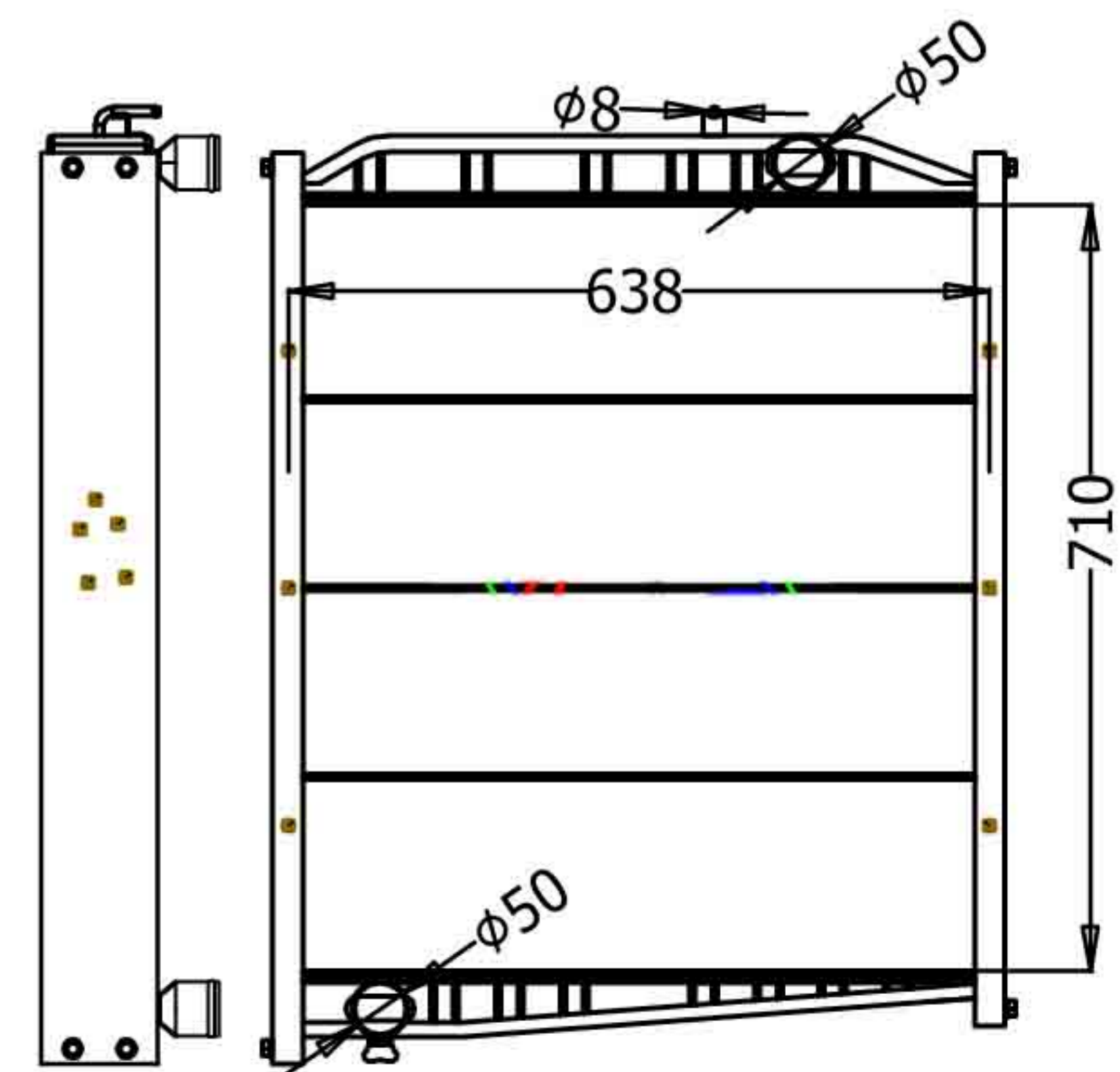
CARTYPE: 4TONS OF CUMMINS(4吨康明斯) MT  
 CORE SIZE: BC 675\*528\*64 TANK SIZE: 547\*95  
 CARTON:  
 OEM:  
 DPI:

**EQ-19005**



CARTYPE: 5TONS OF CUMMINS(5吨康明斯) MT  
 CORE SIZE: BC 550\*588\*64 TANK SIZE: 610\*85  
 CARTON:  
 OEM:  
 DPI:

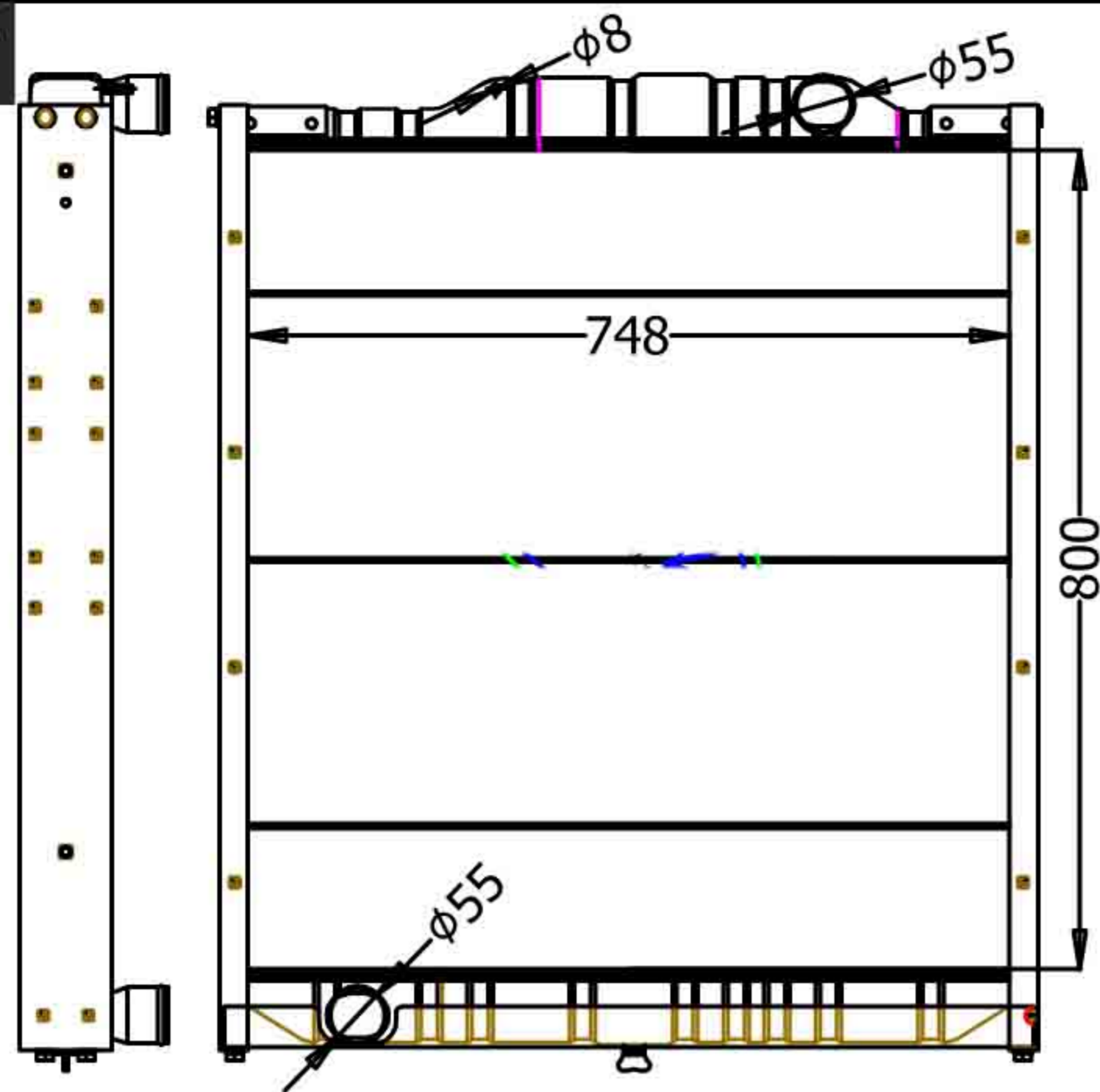
**EQ-19006**



CARTYPE: 9TONS OF DIESEL(9吨平柴) MT  
 CORE SIZE: BC 710\*638\*64 TANK SIZE: 662\*100  
 CARTON:  
 OEM:  
 DPI:

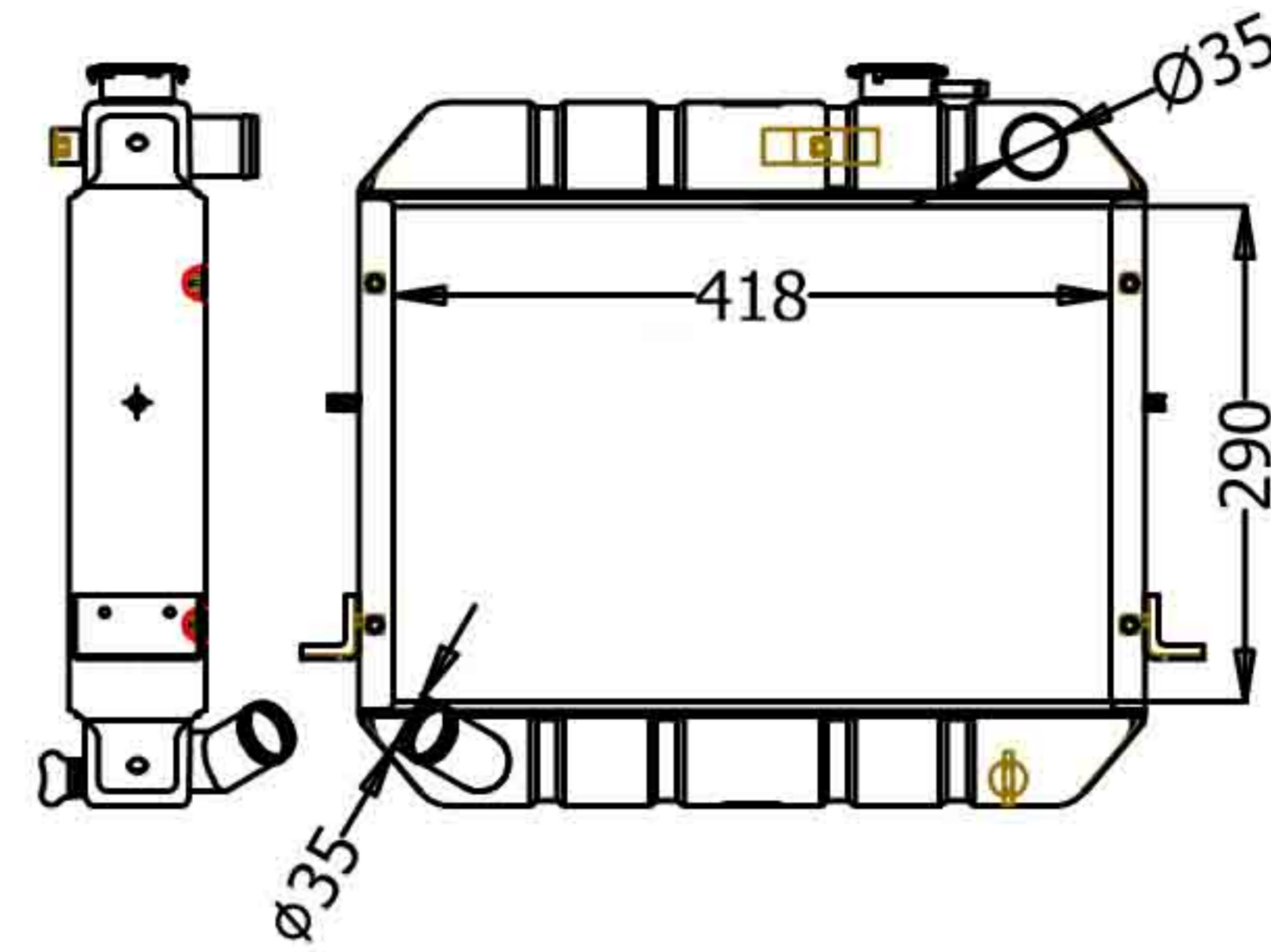
# CUMMINS

EQ-19007



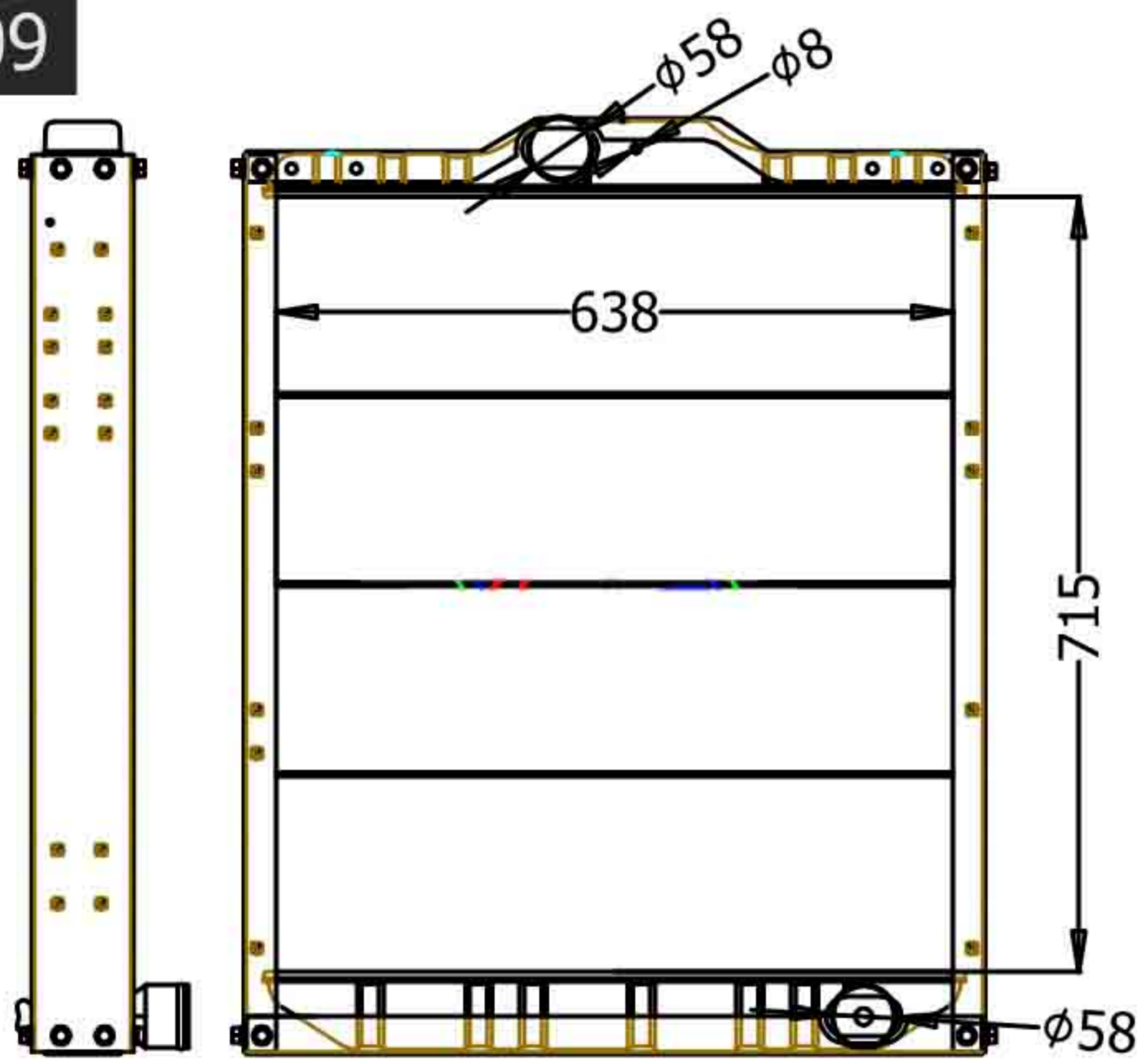
CARTYPE: HAO WO(豪沃) MT  
 CORE SIZE: BC 800\*748\*64 TANK SIZE: 772\*72  
 CARTON:  
 OEM:  
 DPI:

EQ-19008



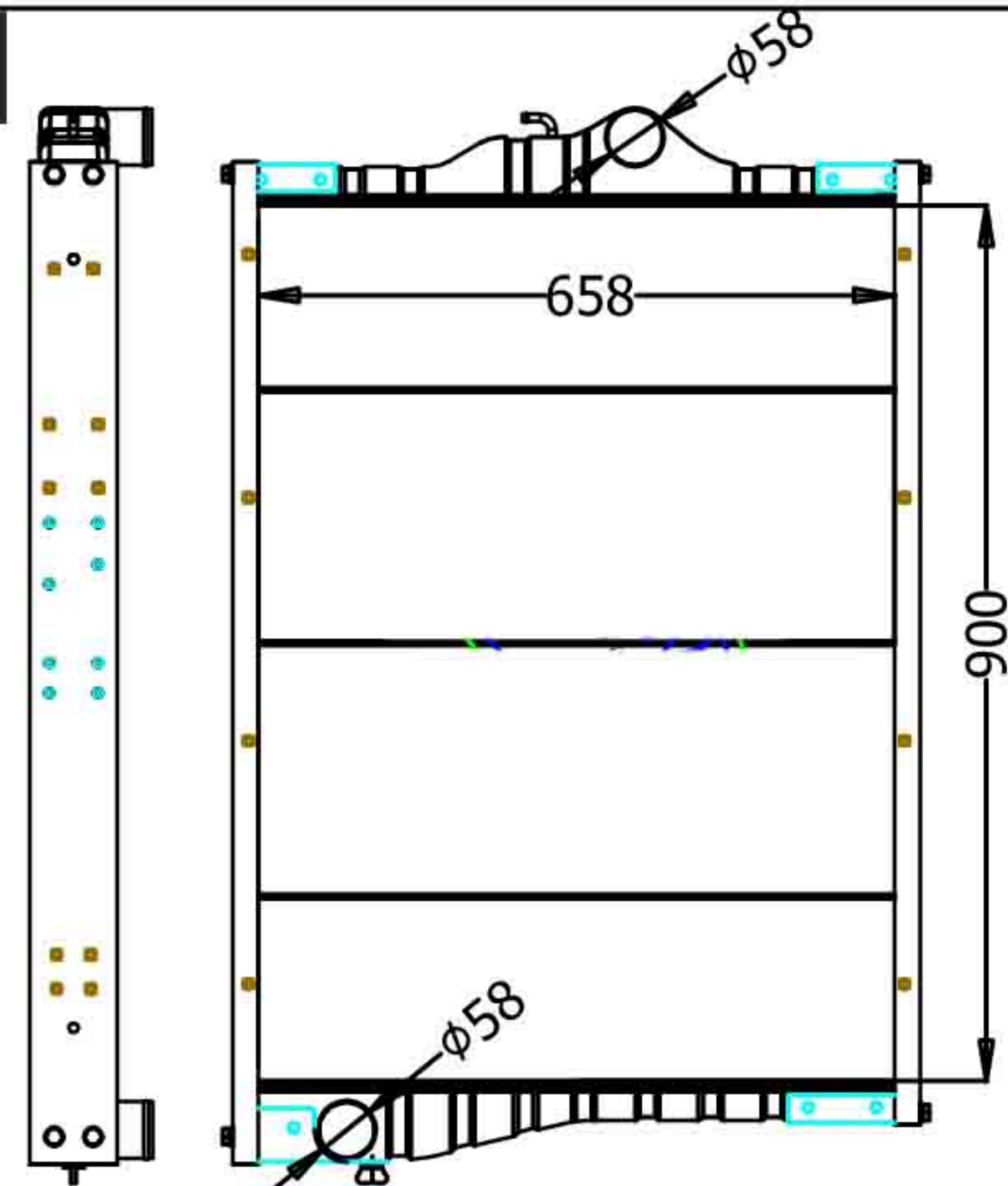
CARTYPE: DONGFENG XIAOBAWANG VEHICLE (东风小霸王) MT  
 CORE SIZE: BC 290\*418\*49 TANK SIZE: 453\*69  
 CARTON:  
 OEM:  
 DPI:

EQ-19009



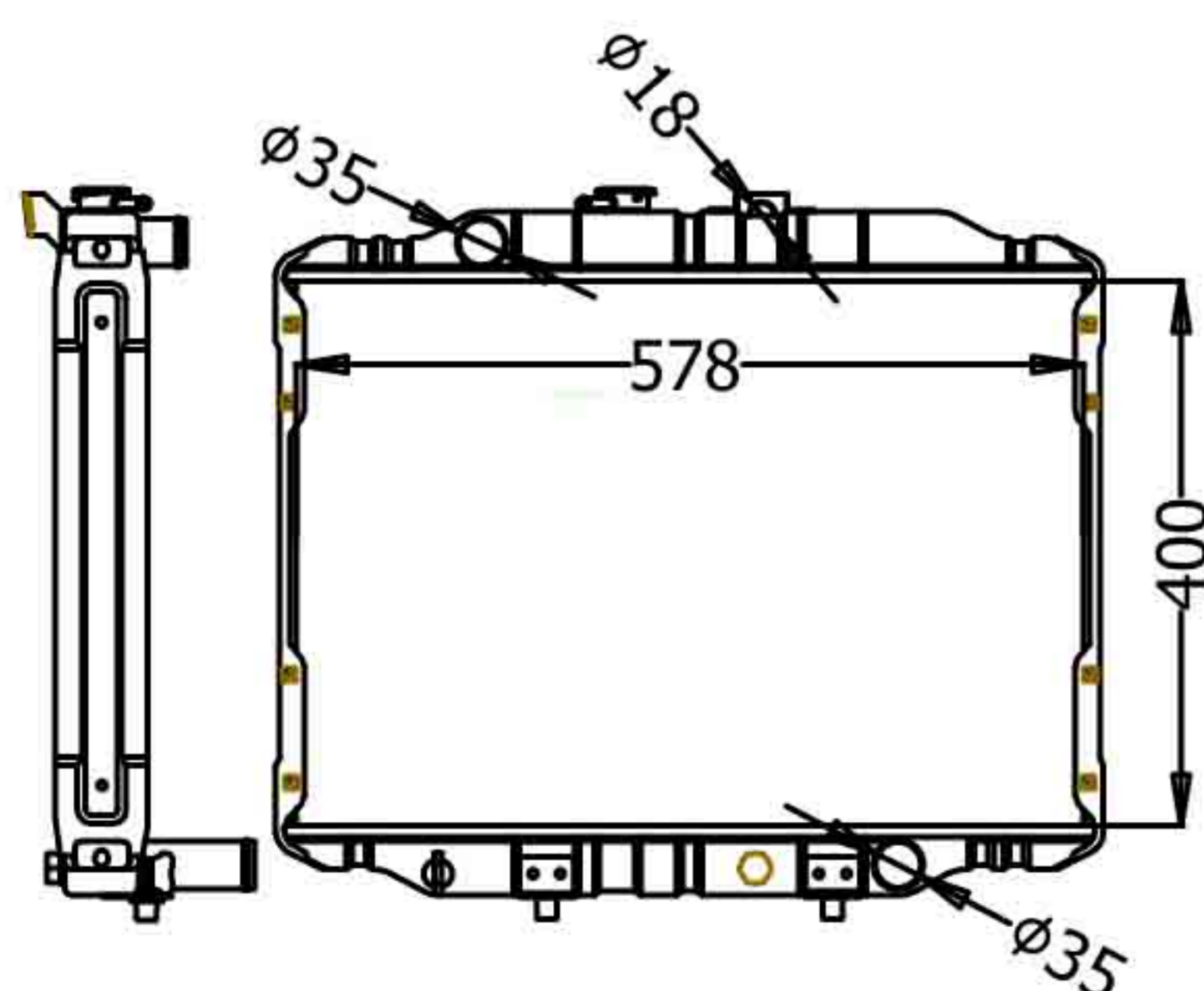
CARTYPE: DONGFENG LIBERATION(东风解放240马力) MT  
 CORE SIZE: BC 715\*638\*64 TANK SIZE: 645\*78  
 CARTON:  
 OEM:  
 DPI:

EQ-19010



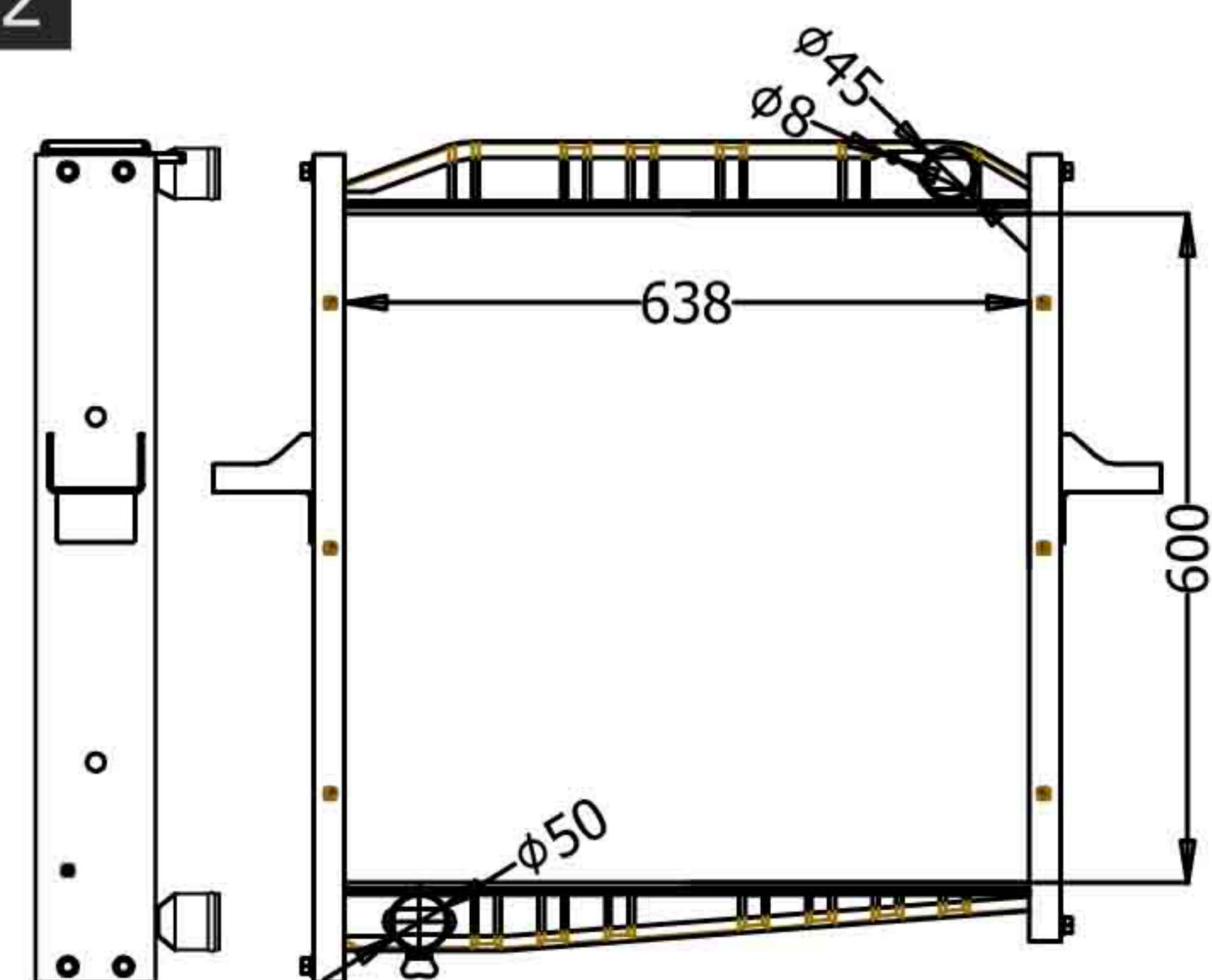
CARTYPE: HEAVY TRUCK(华菱重卡) MT  
 CORE SIZE: BC 900\*658\*64 TANK SIZE: 695\*78  
 CARTON:  
 OEM:  
 DPI:

EQ-19011



CARTYPE: 1.25 TONS OF DONGFENG STORICA(1.25吨东风多利卡) MT  
 CORE SIZE: BC 400\*578\*49 TANK SIZE: 595\*62  
 CARTON: 635\*615\*150  
 OEM:  
 DPI:

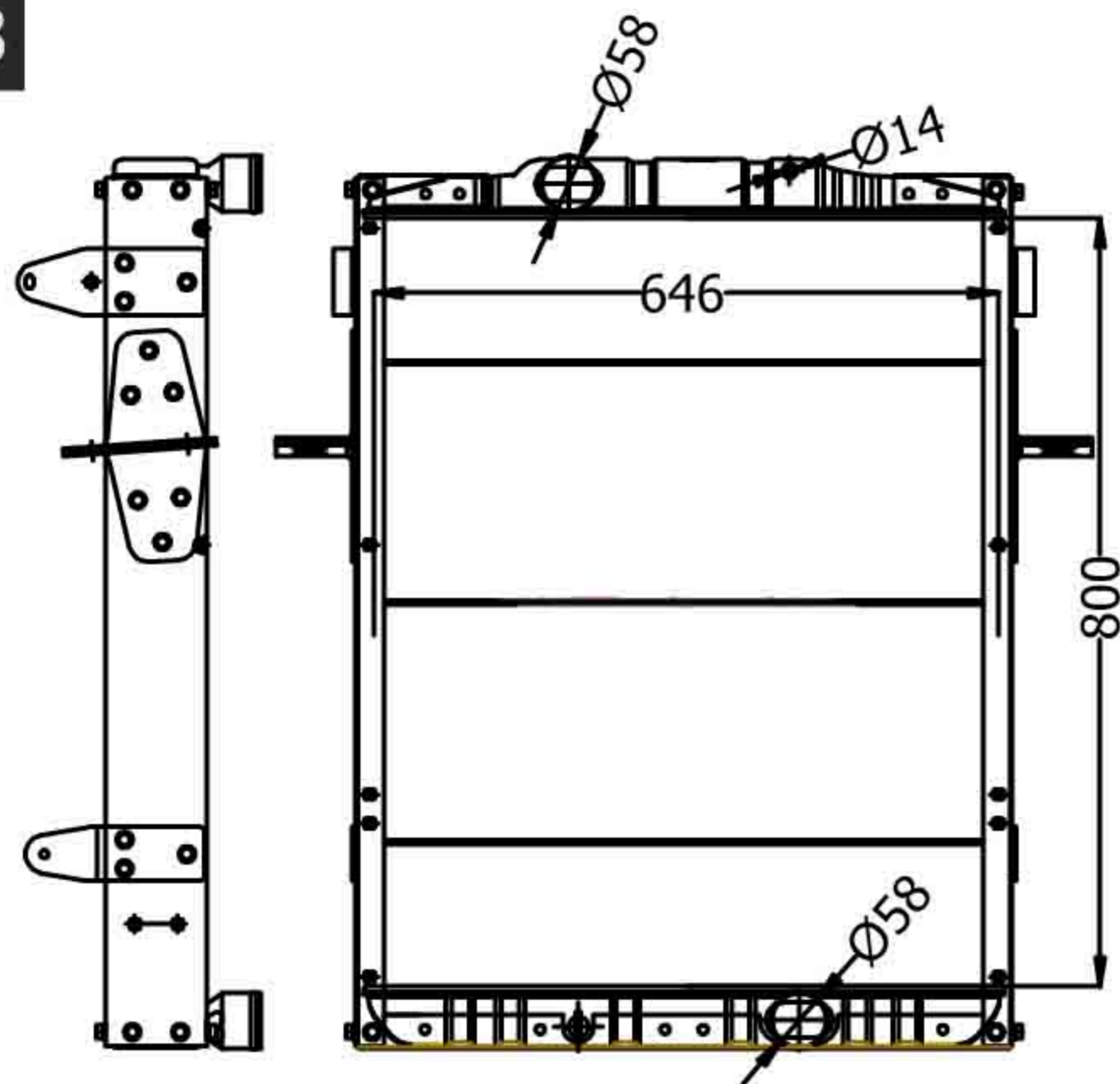
EQ-19012



CARTYPE: 3 TONS OF DONGFENG STORICA(3吨东风多利卡) MT  
 CORE SIZE: BC 600\*638\*64 TANK SIZE: 662\*100  
 CARTON:  
 OEM:  
 DPI:

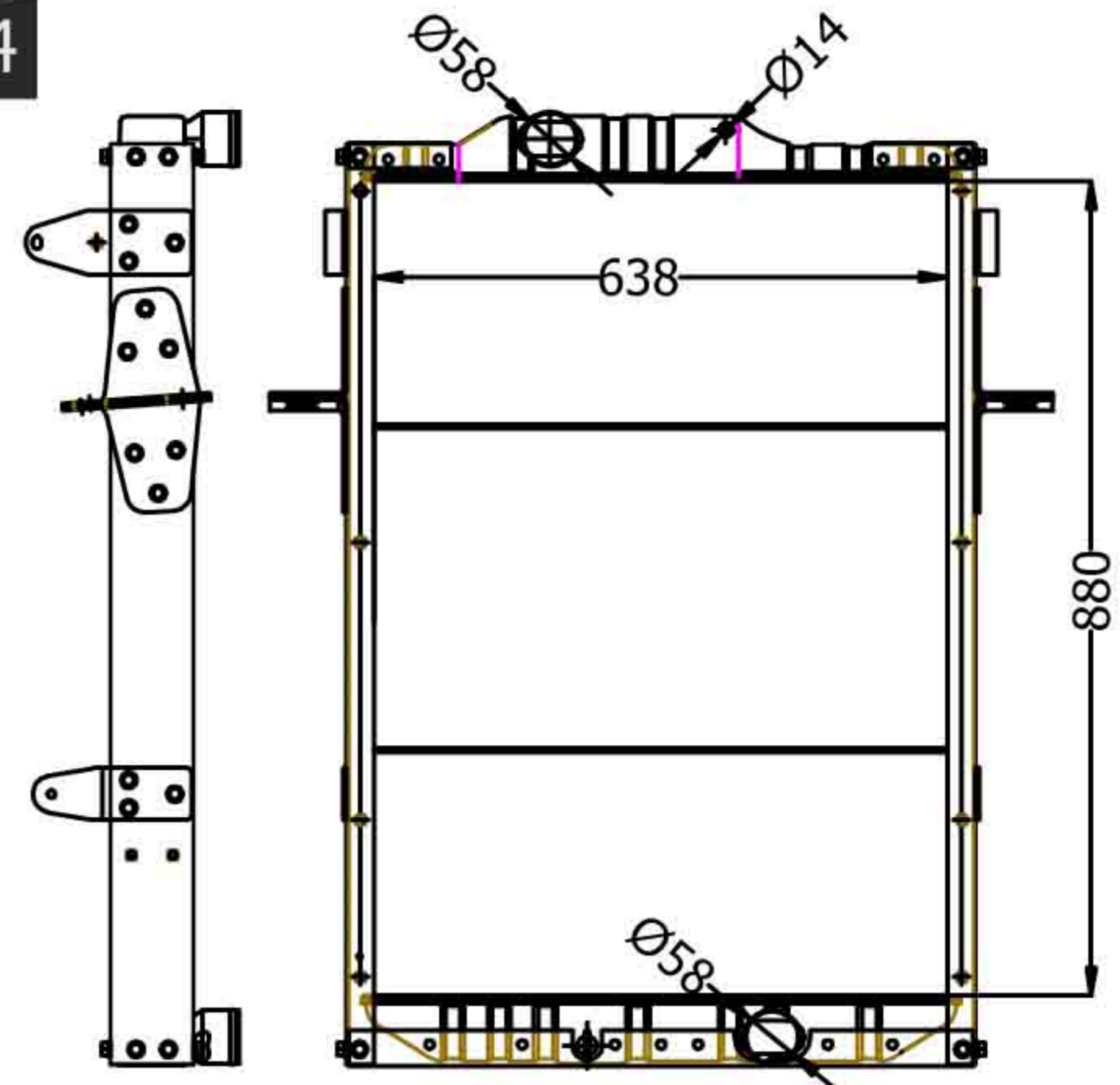
# CUMMINS

**EQ-19013**



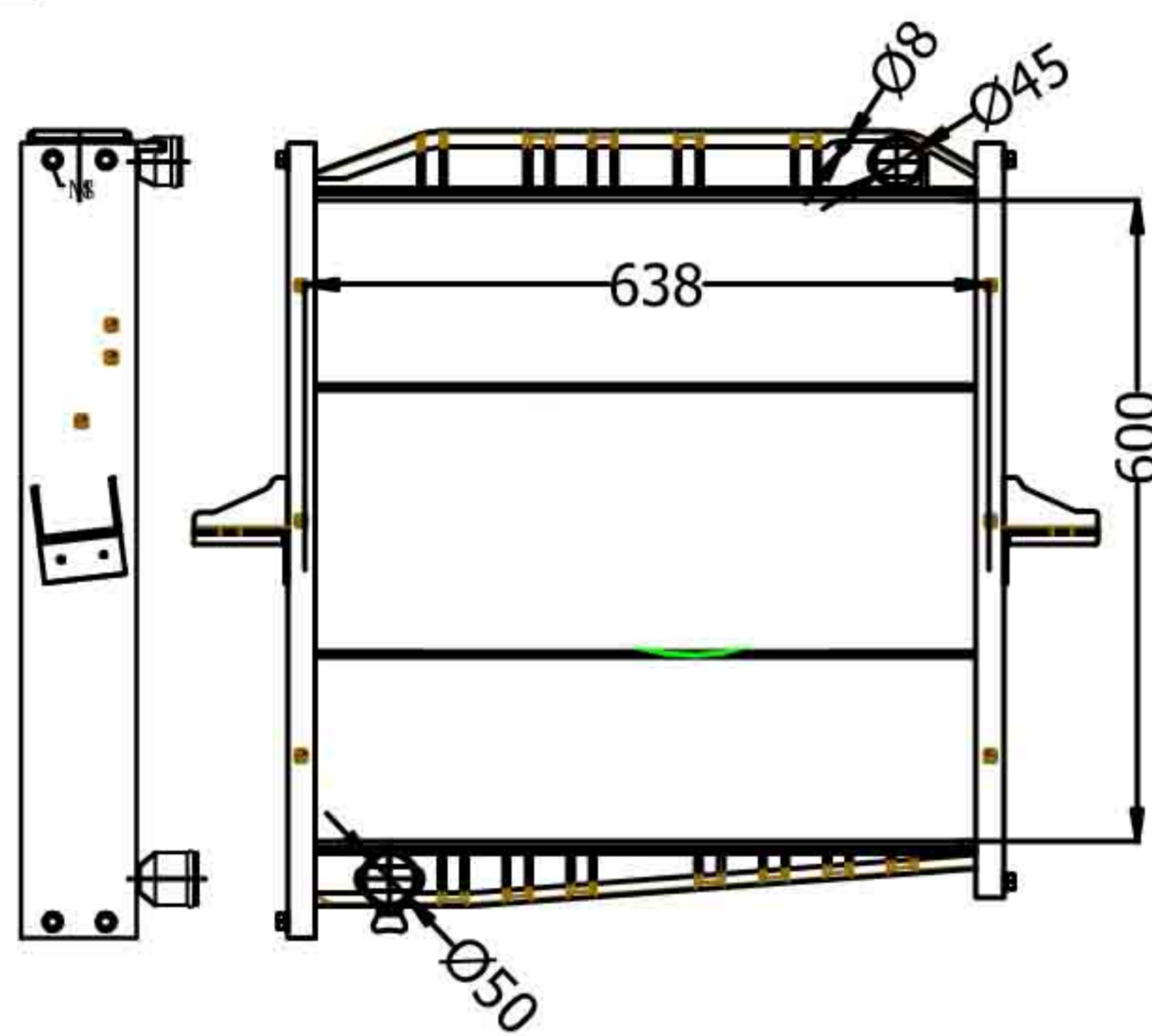
CARTYPE: DONGFENG LIBERATION J6 (260马力)  
 (东风 解放260马力) MT  
 CORE SIZE: BC 800\*646\*81 TANK SIZE: 663\*95  
 CARTON:  
 OEM:  
 DPI:

**EQ-19014**



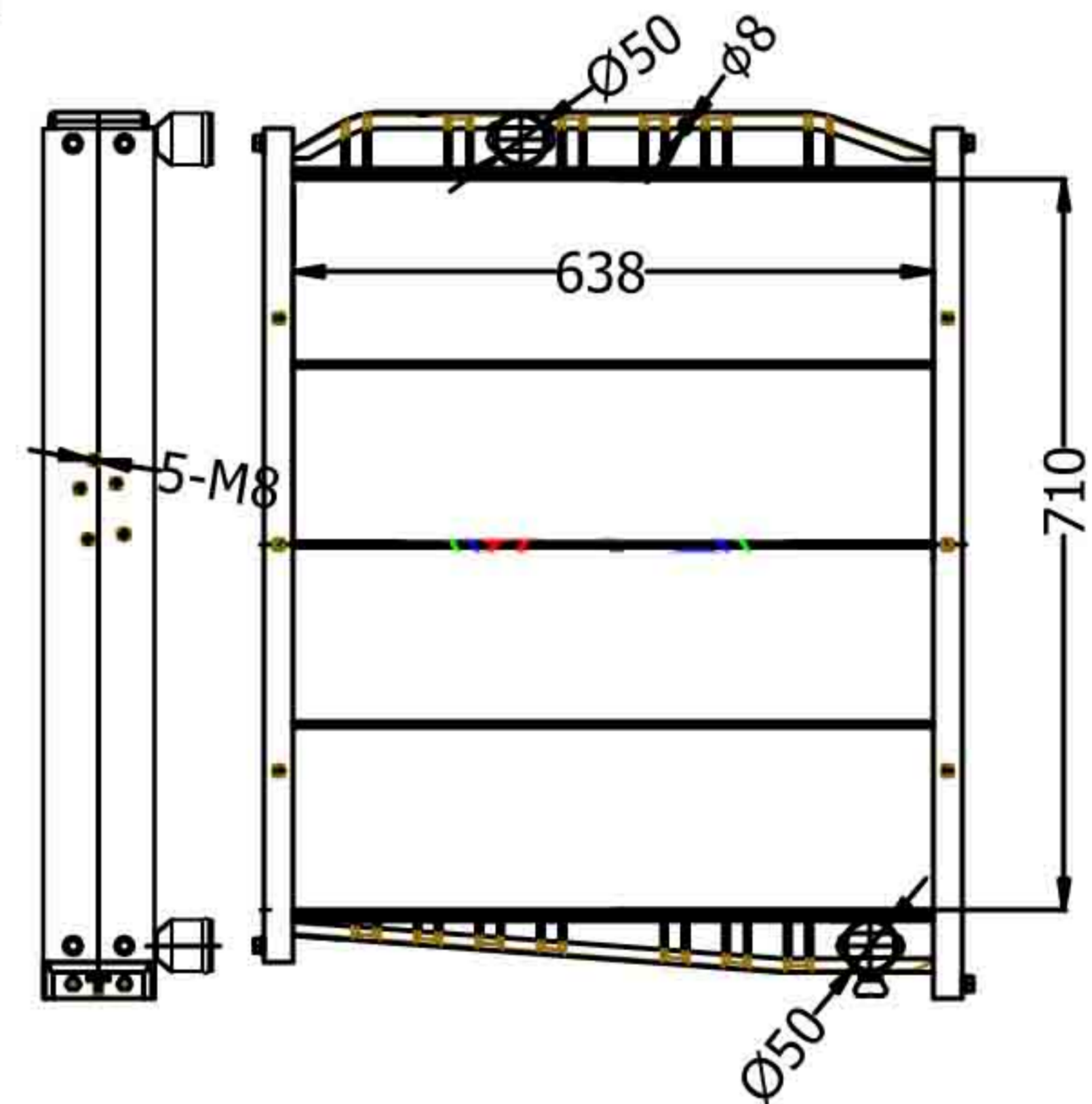
CARTYPE: DONGFENG DENON (东风天龙) MT  
 CORE SIZE: BC 880\*638\*64 TANK SIZE: 645\*78  
 CARTON:  
 OEM:  
 DPI:

**EQ-19015**



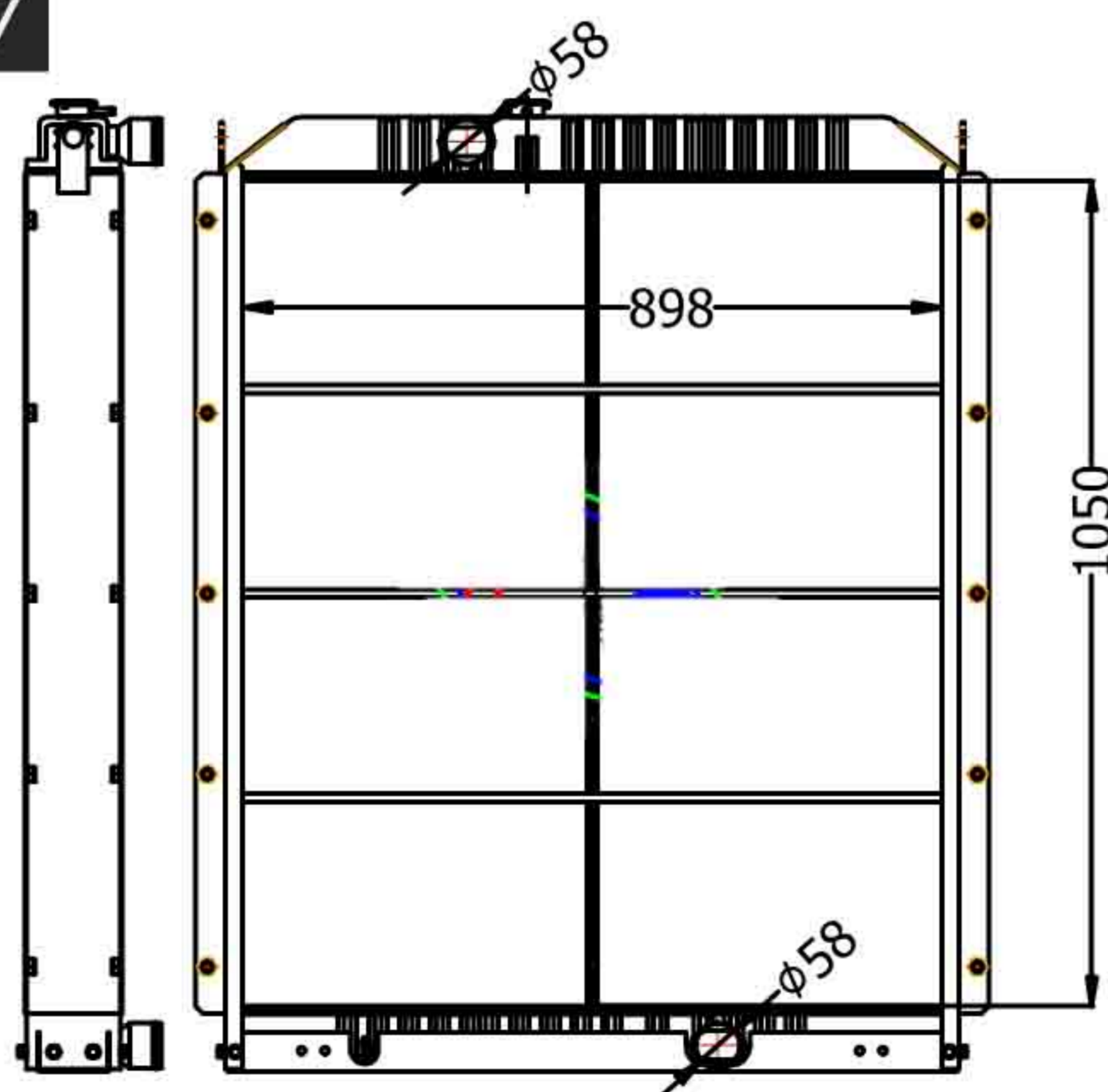
CARTYPE: THE LIBERATION OF QINGDAO CHUN BELL  
 (青岛解放俊玲) MT  
 CORE SIZE: BC 600\*638\*81 TANK SIZE: 662\*100  
 CARTON:  
 OEM:  
 DPI:

**EQ-19016**



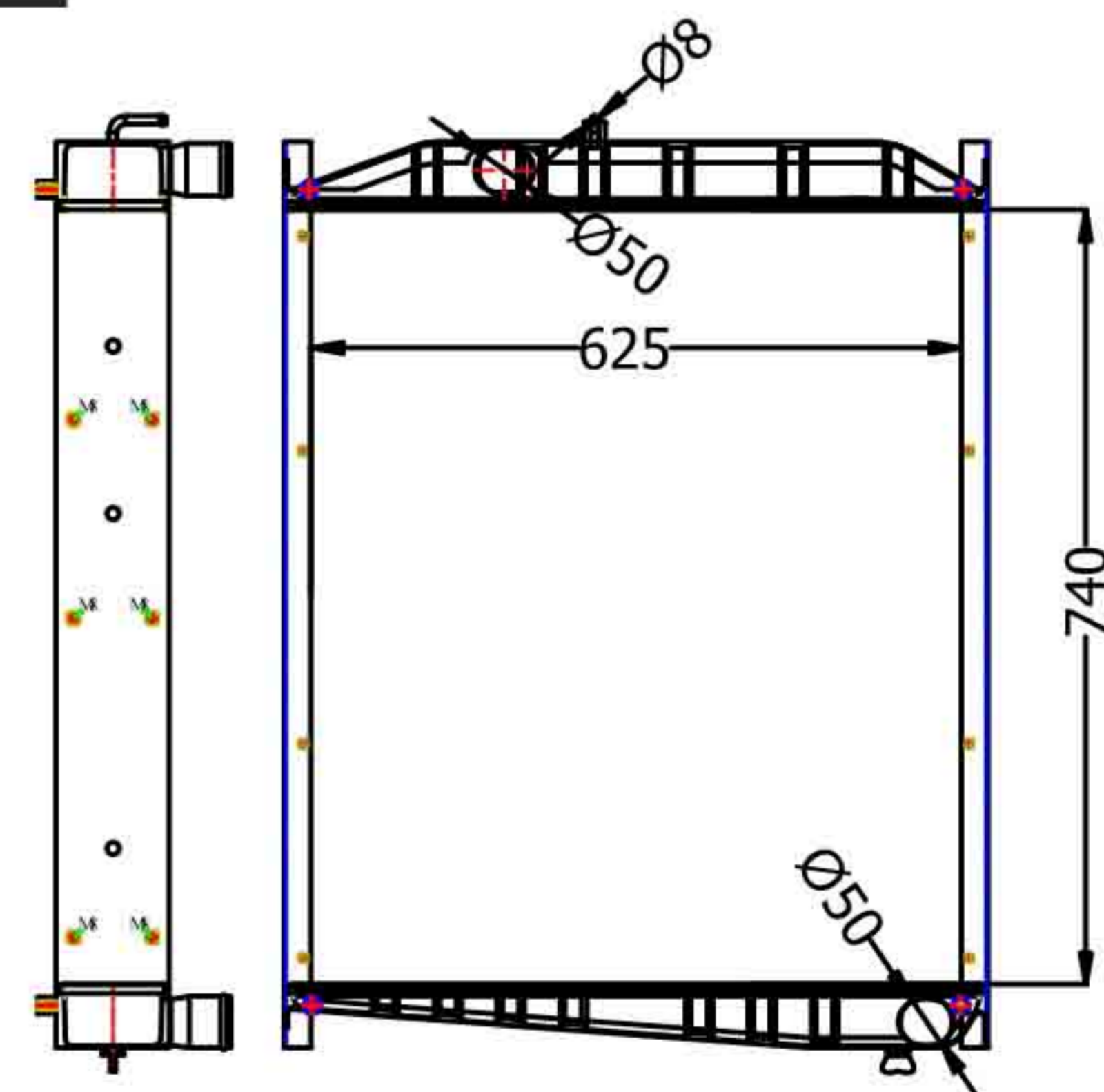
CARTYPE: BUDDHA AUMAN(佛欧曼) MT  
 CORE SIZE: BC 710\*638\*81 TANK SIZE: 662\*100  
 CARTON:  
 OEM:  
 DPI:

**EQ-19017**



CARTYPE: HITACHI 450 HOOK MACKINE(日立450钩机) MT  
 CORE SIZE: BC 1050\*898\*81 TANK SIZE: 915\*95  
 CARTON:  
 OEM:  
 DPI:

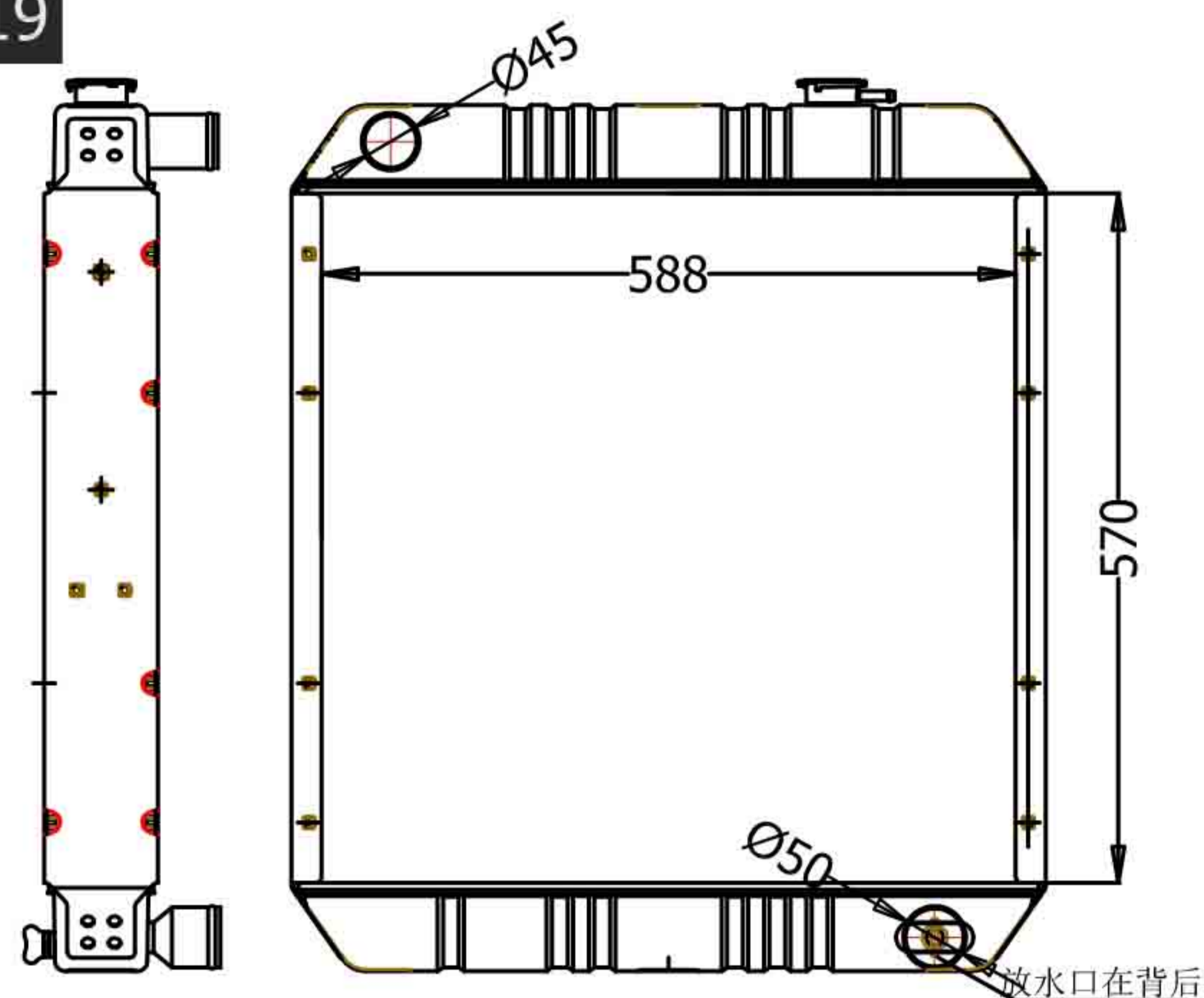
**EQ-19018**



CARTYPE: DONGFENG DRAGON (740芯高东风霸龙) MT  
 CORE SIZE: BC 740\*625\*49 TANK SIZE: 102\*640  
 CARTON:  
 OEM:  
 DPI:

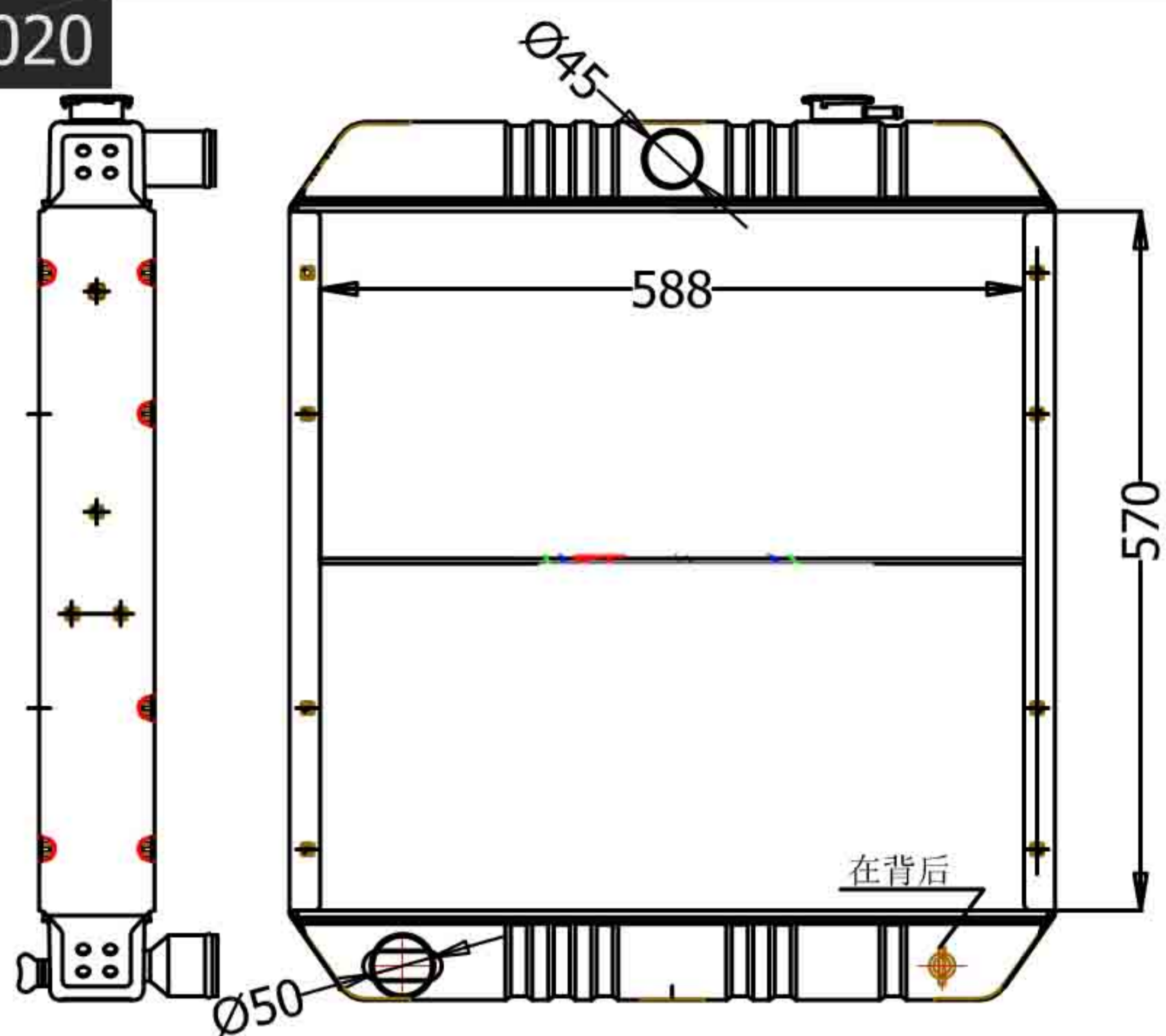
# CUMMINS

EQ-19019



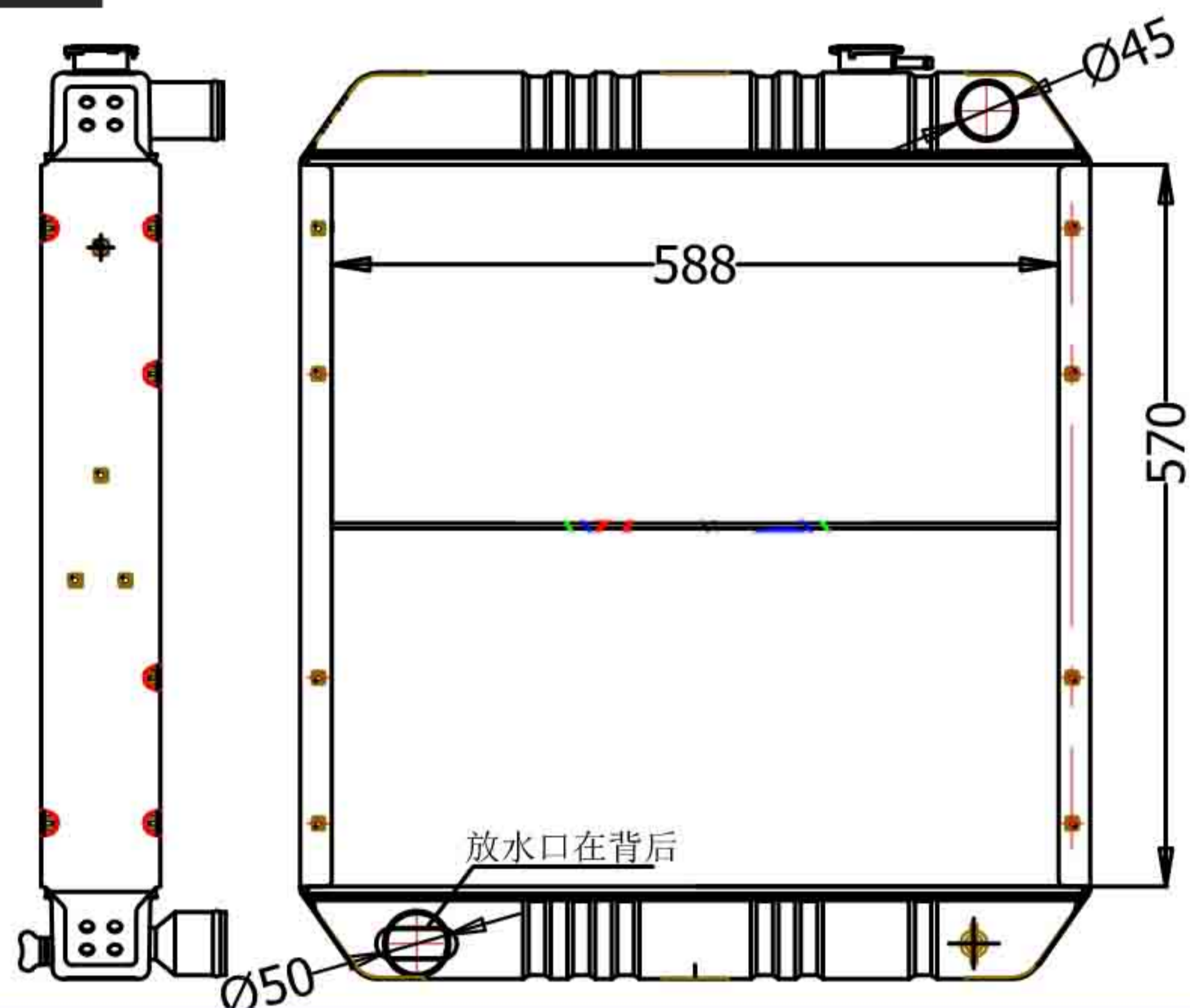
CARTYPE: MODIFICATION OF 5 TONS OF CUMMINS1# (改装5吨康明斯) MT  
CORE SIZE: BC 570\*588\*64 TANK SIZE: 610\*85  
CARTON:  
OEM:  
DPI:

EQ-19020



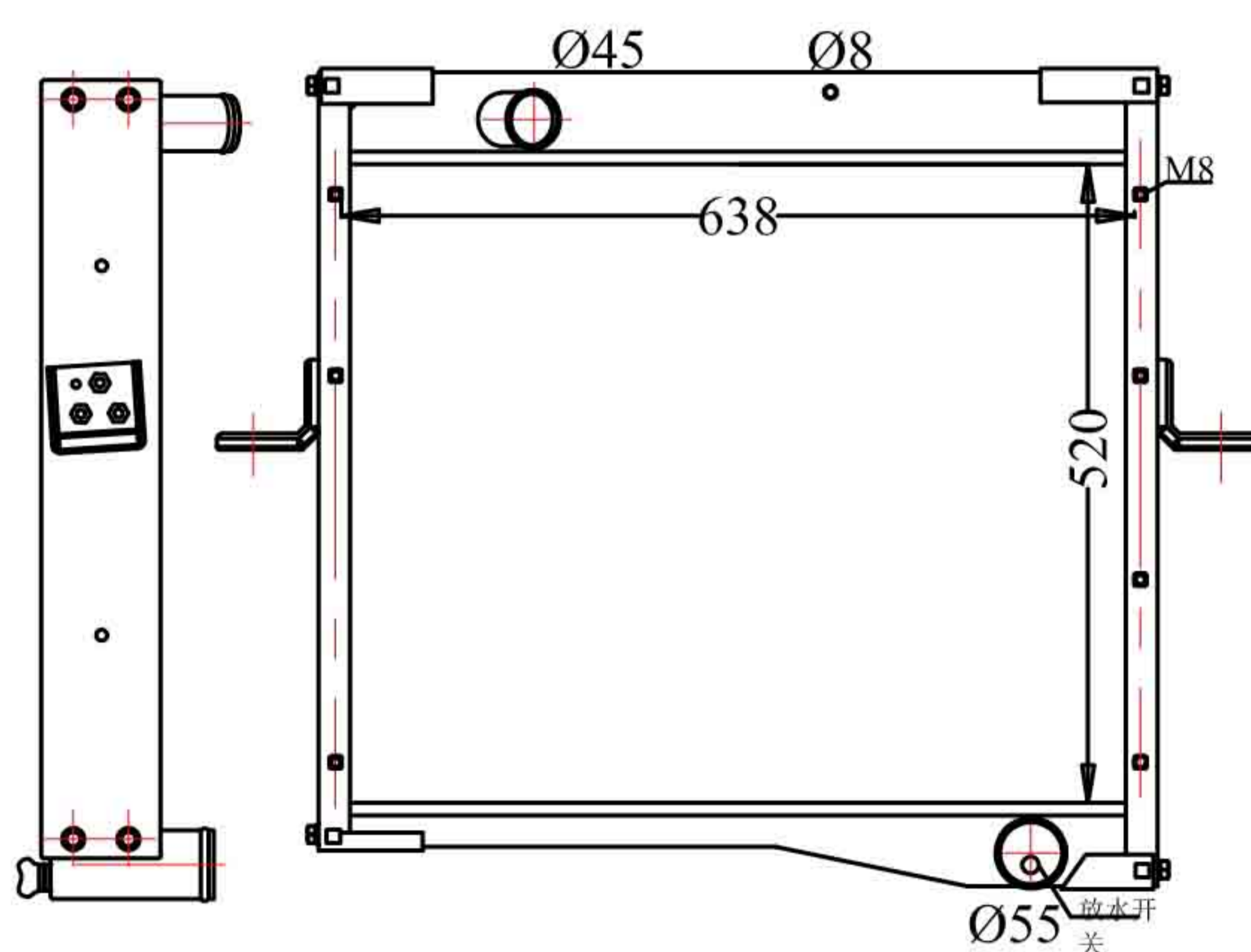
CARTYPE: MODIFICATION OF 5 TONS OF CUMMINS2# (改装5吨康明斯2#) MT  
CORE SIZE: BC 570\*588\*64 TANK SIZE: 610\*85  
CARTON:  
OEM:  
DPI:

EQ-19021



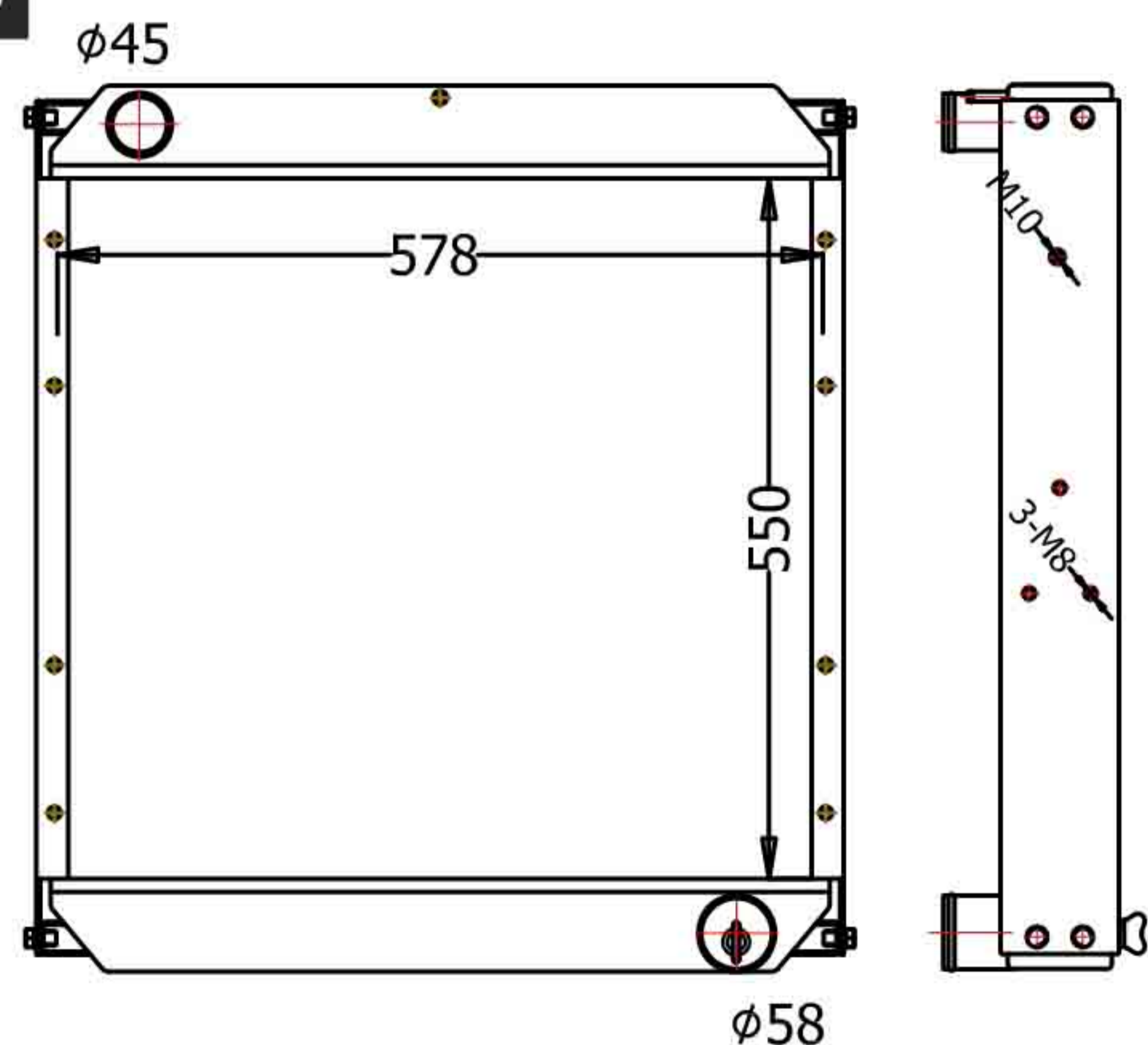
CARTYPE: MODIFICATION OF 5 TONS OF CUMMINS3# (改装5吨康明斯3#) MT  
CORE SIZE: BC 570\*588\*64 TANK SIZE: 610\*85  
CARTON:  
OEM:  
DPI:

EQ-19022



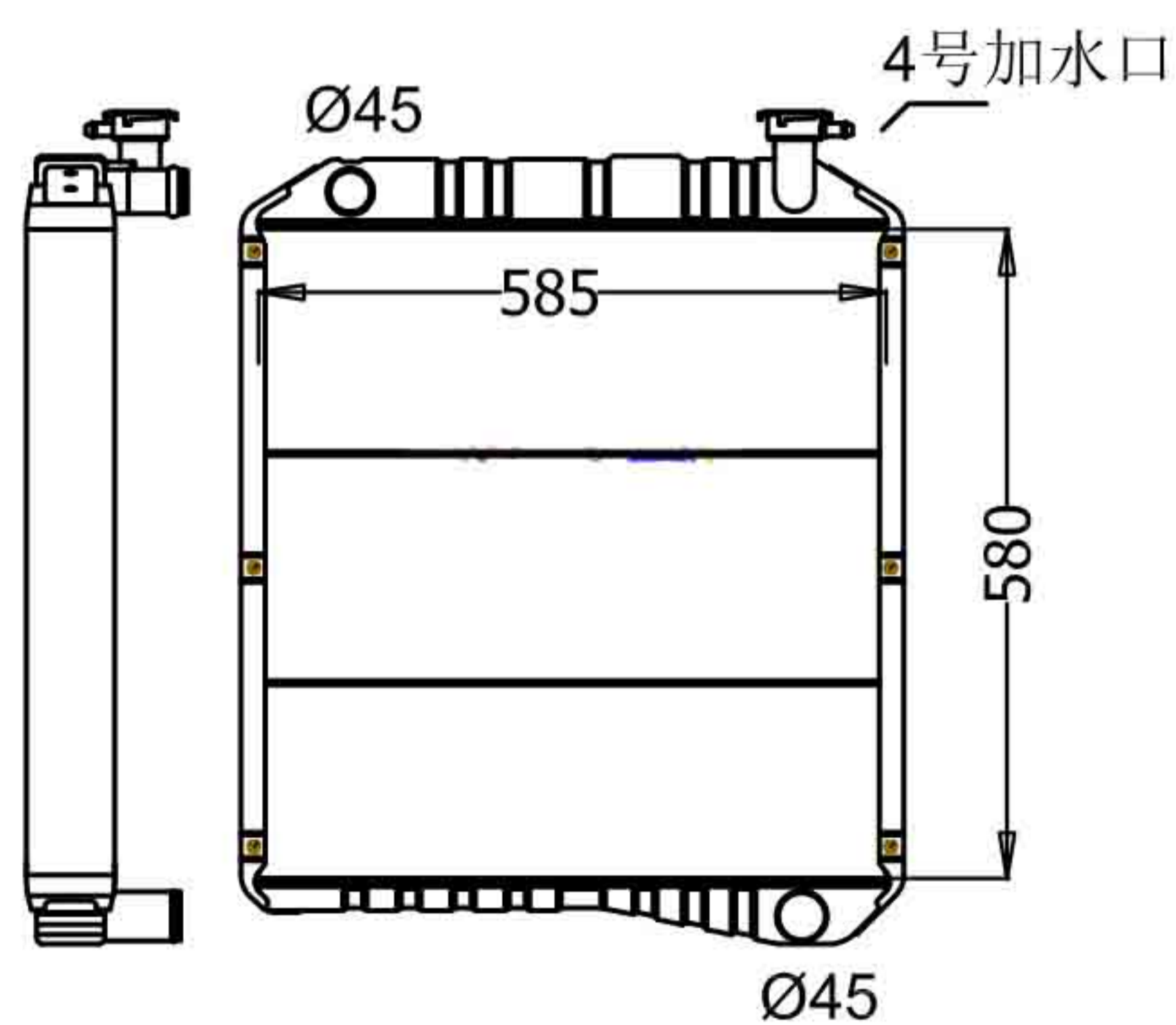
CARTYPE: DCEC CUMMINS(东风康明斯EQ153) MT  
CORE SIZE: BC 520\*638\*56 TANK SIZE: 660\*80  
CARTON:  
OEM:  
DPI:

EQ-19023



CARTYPE: CUMMINS(康明斯) 1301N08-010 MT  
CORE SIZE: BC 550\*578\*56 TANK SIZE: 600\*80  
CARTON:  
OEM:  
DPI:

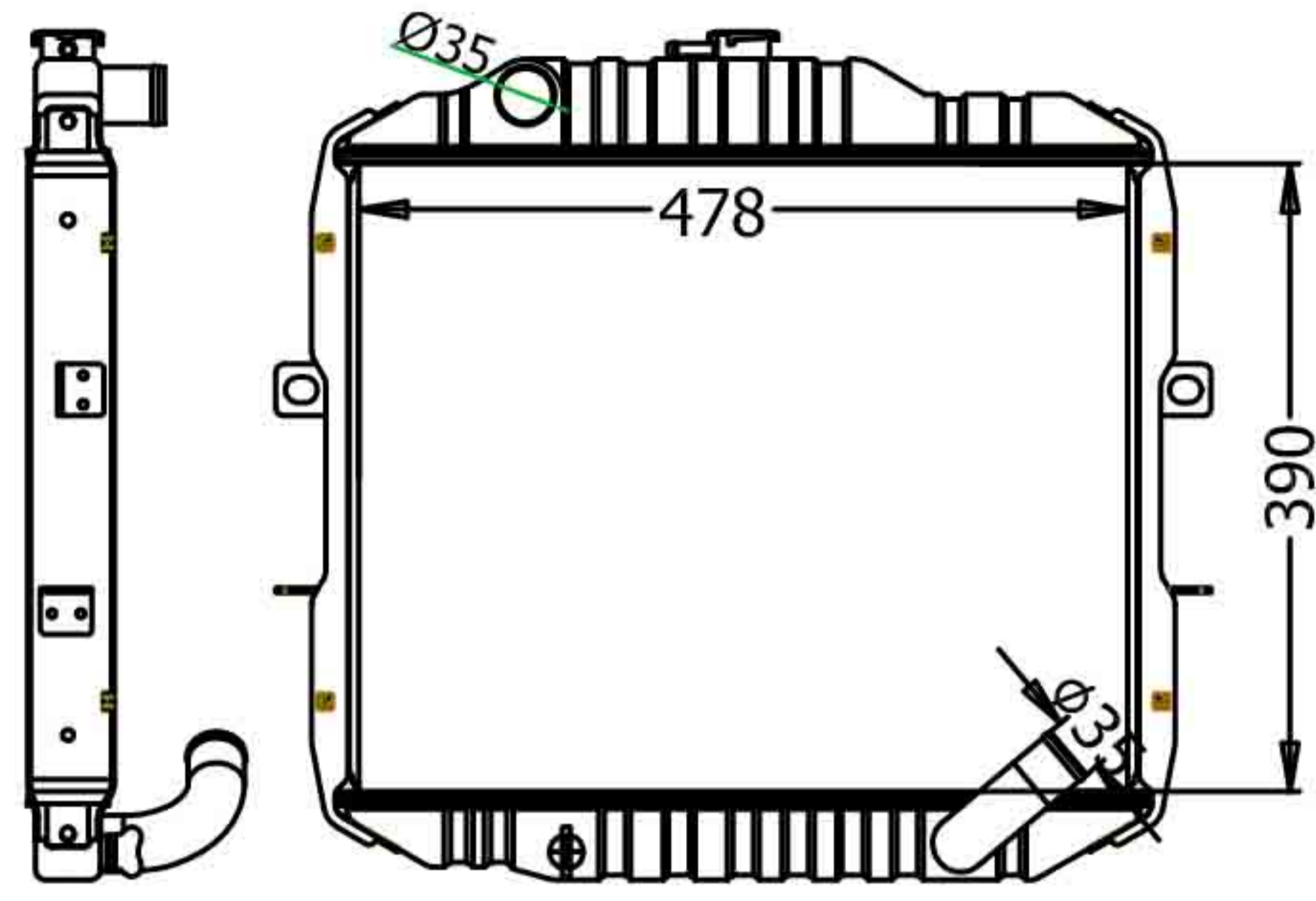
EQ-19024



CARTYPE: 东风康明斯 MT  
CORE SIZE: BC 580\*585\*64 TANK SIZE: 605\*85  
CARTON:  
OEM:  
DPI:

# HYUNDAI

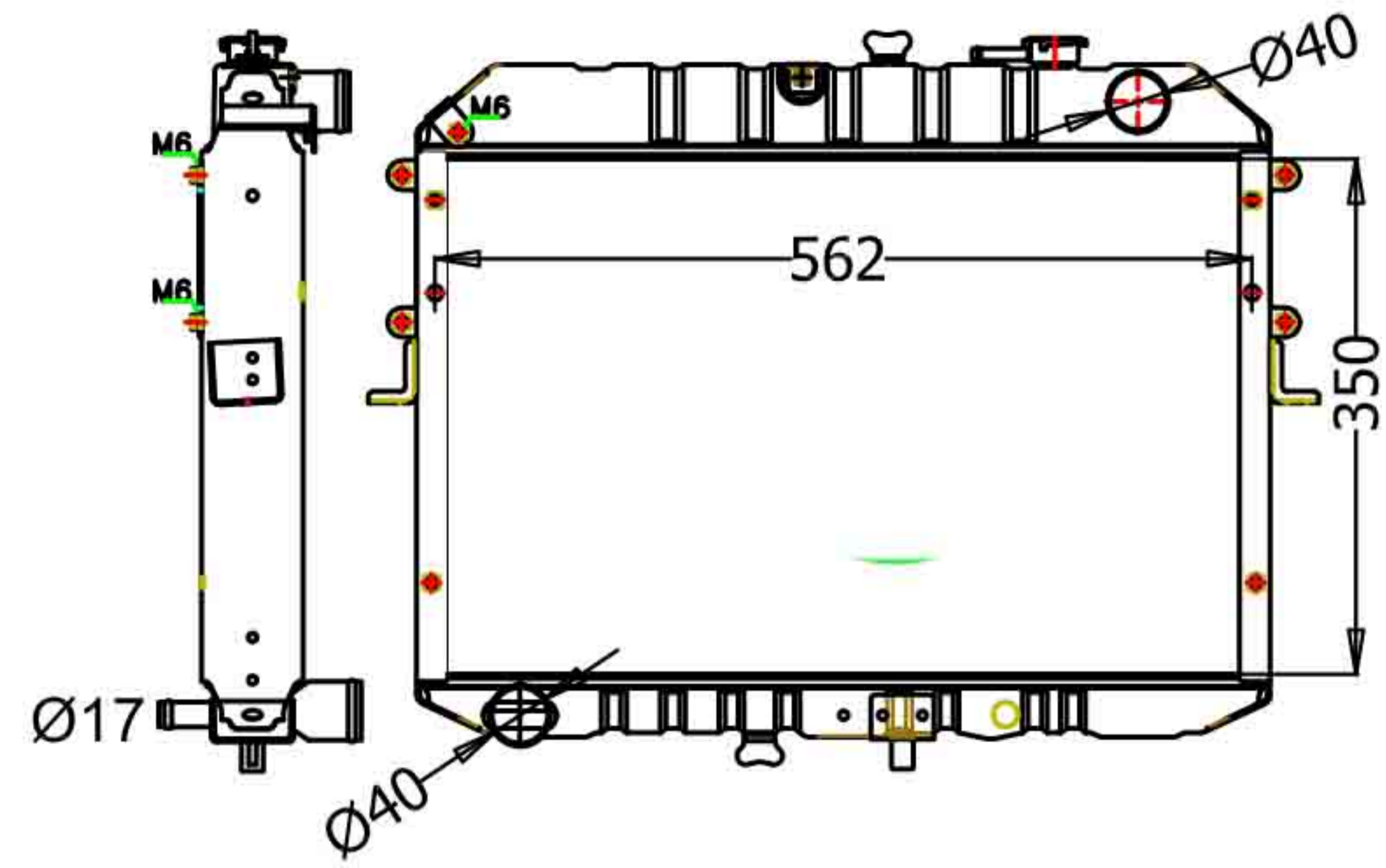
HY-21001



PA: HY-0133

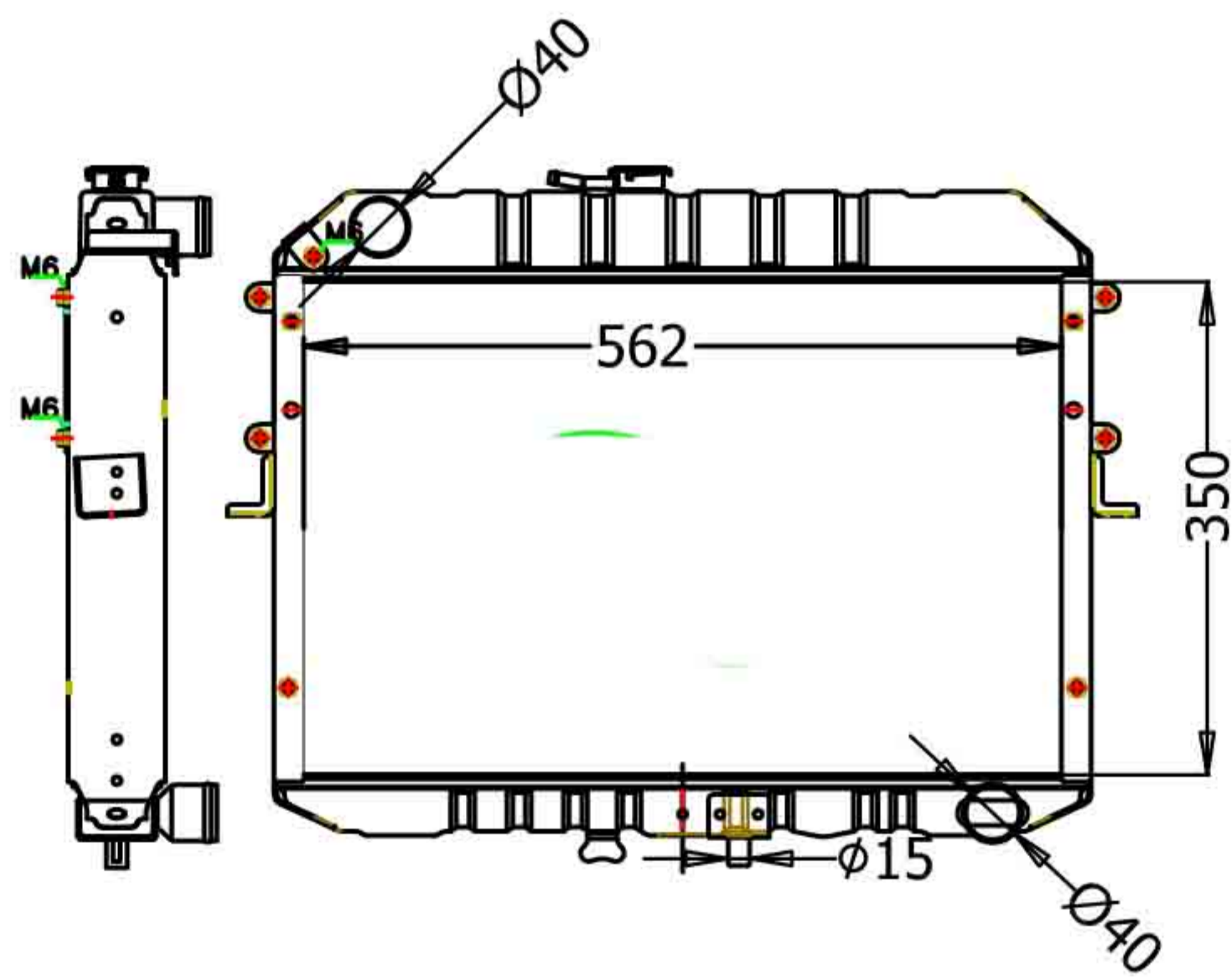
CARTYPE: MODERN PICKUP (现代皮卡) MT  
 CORE SIZE: BC: 390\*478\*32 / 48 TANK SIZE: 500\*48  
 CARTON:  
 OEM:  
 DPI:

HY-21002



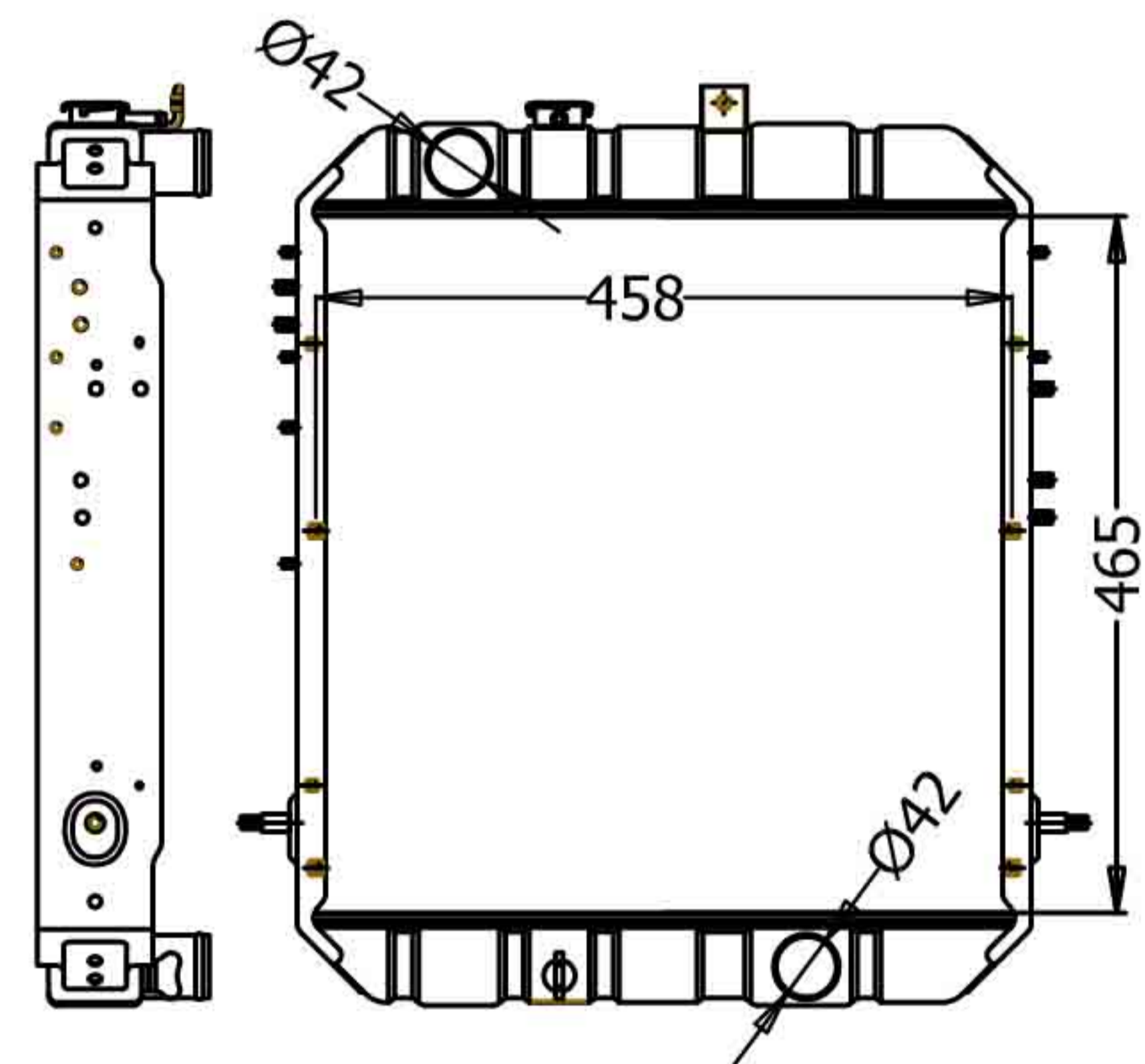
CARTYPE: BONGO  
 CORE SIZE: BC 350\*562\*49 TANK SIZE: 572\*60  
 CARTON:  
 OEM:  
 DPI:

HY-21003



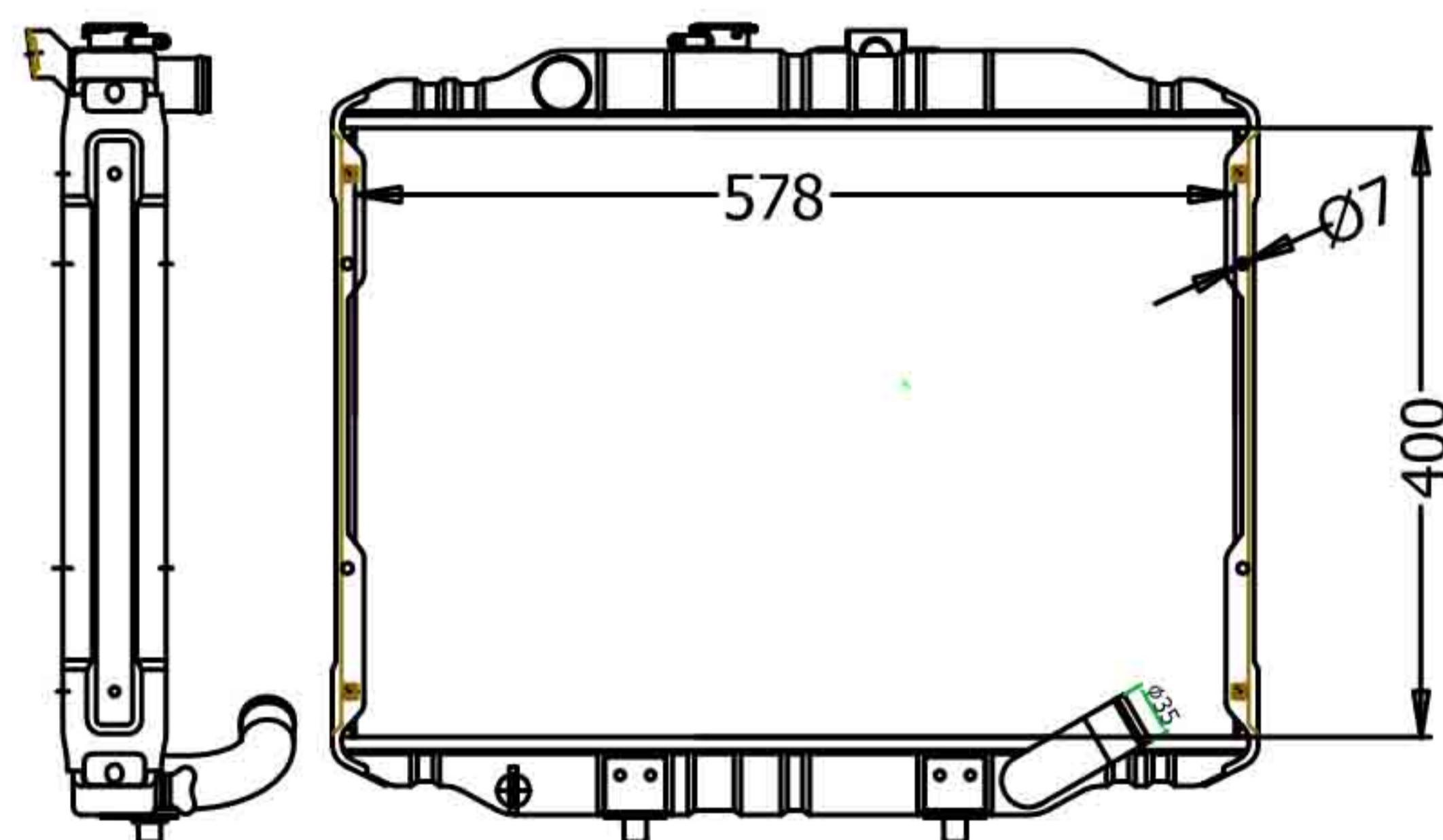
CARTYPE: PICKUP(皮卡)  
 CORE SIZE: BC 350\*562\*49 TANK SIZE: 572\*60  
 CARTON:  
 OEM:  
 DPI:

HY-21004



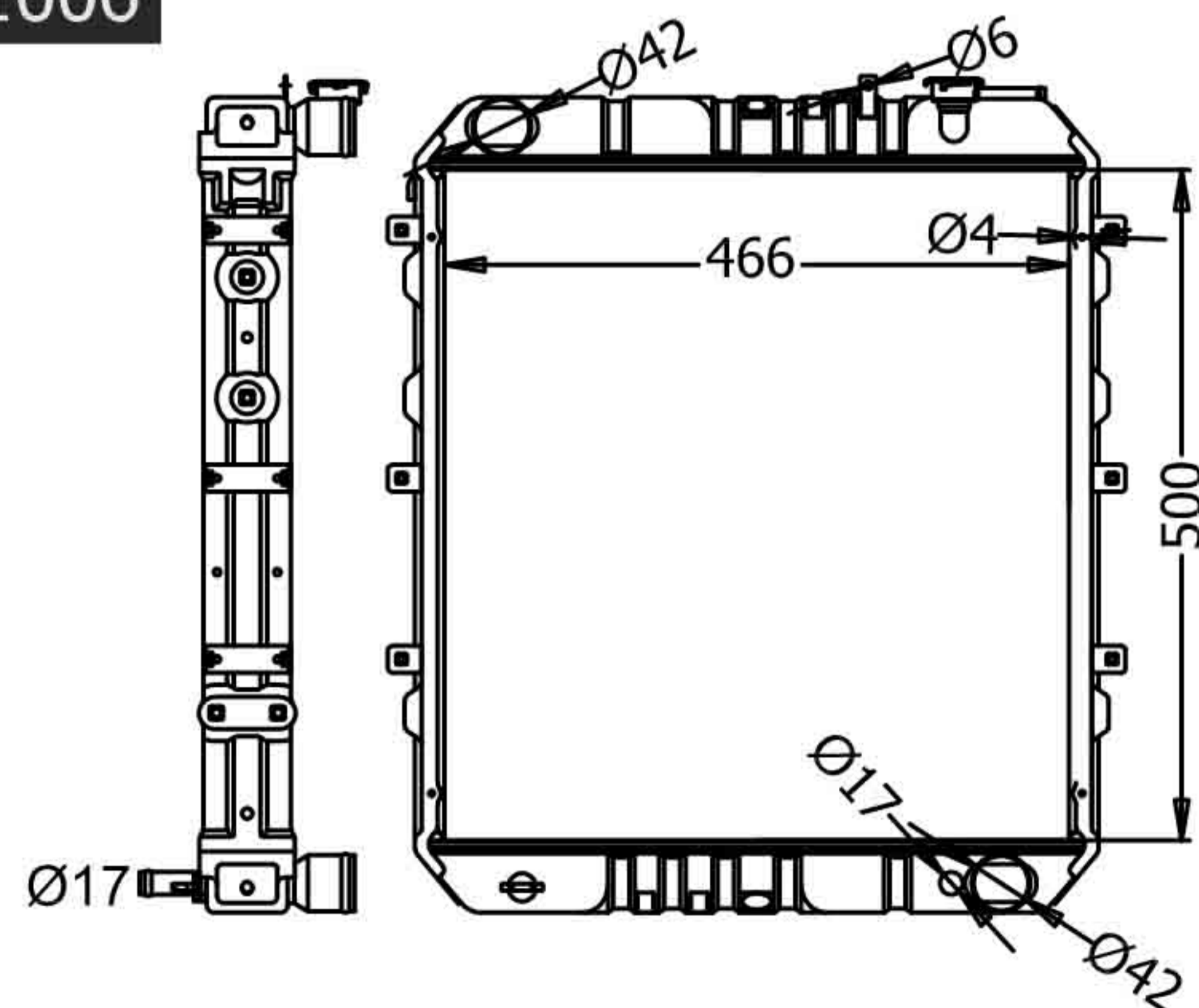
CARTYPE: HYUNDAI PICKUP(现代皮卡)  
 CORE SIZE: BC 465\*458\*49 TANK SIZE: 476\*70  
 CARTON:  
 OEM:  
 DPI:

HY-21005



CARTYPE: HYUNDAI H100 (现代H100) MT  
 CORE SIZE: BC 400\*578\*49 TANK SIZE: 595\*62  
 CARTON:  
 OEM: 25300-43600/43610  
 DPI:

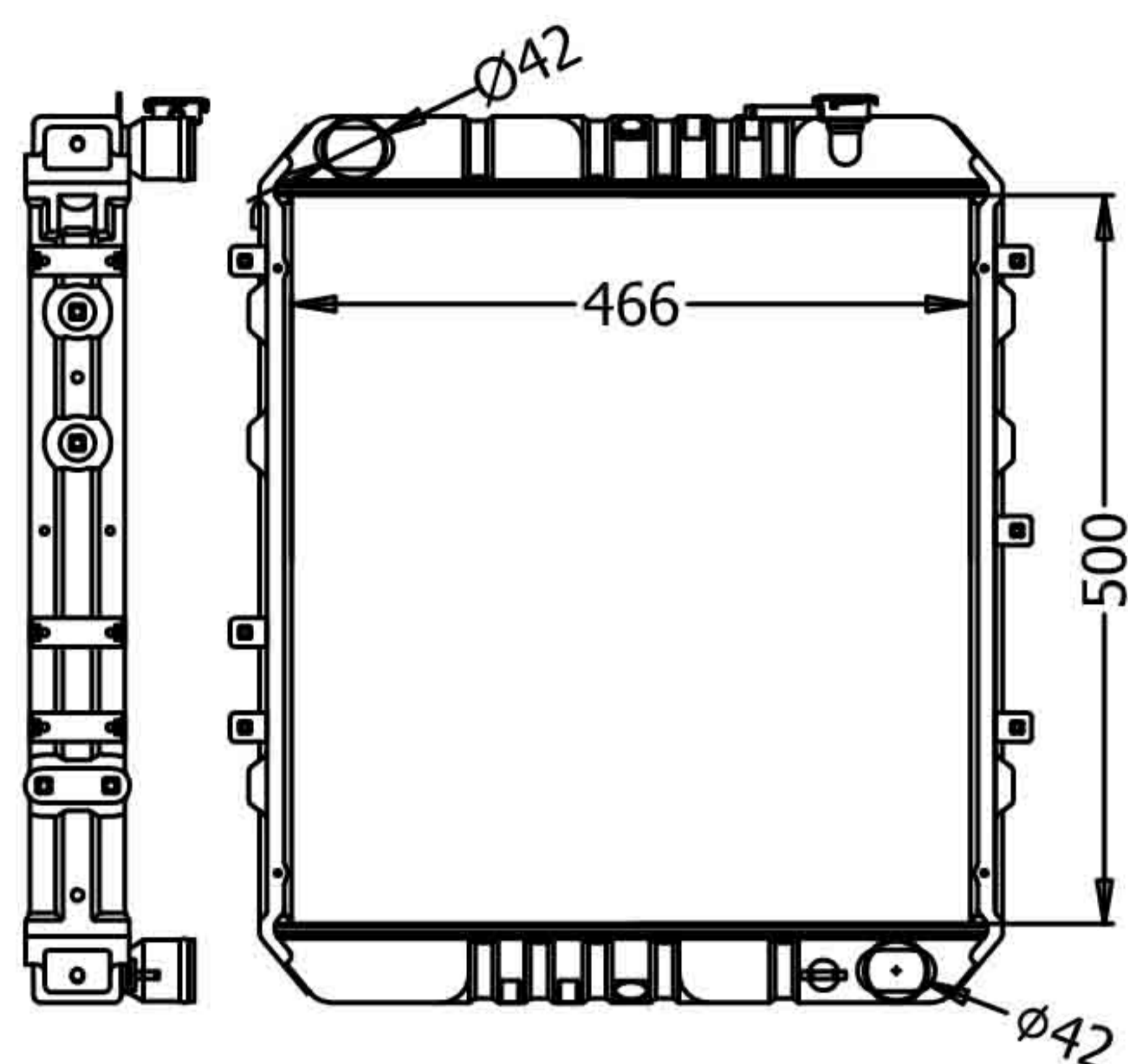
HY-21006



CARTYPE: TRADE 2.5TON 69-00 (起亚) MT  
 CORE SIZE: BC 500\*466\*49 TANK SIZE: 495\*68  
 CARTON:  
 OEM:  
 DPI:

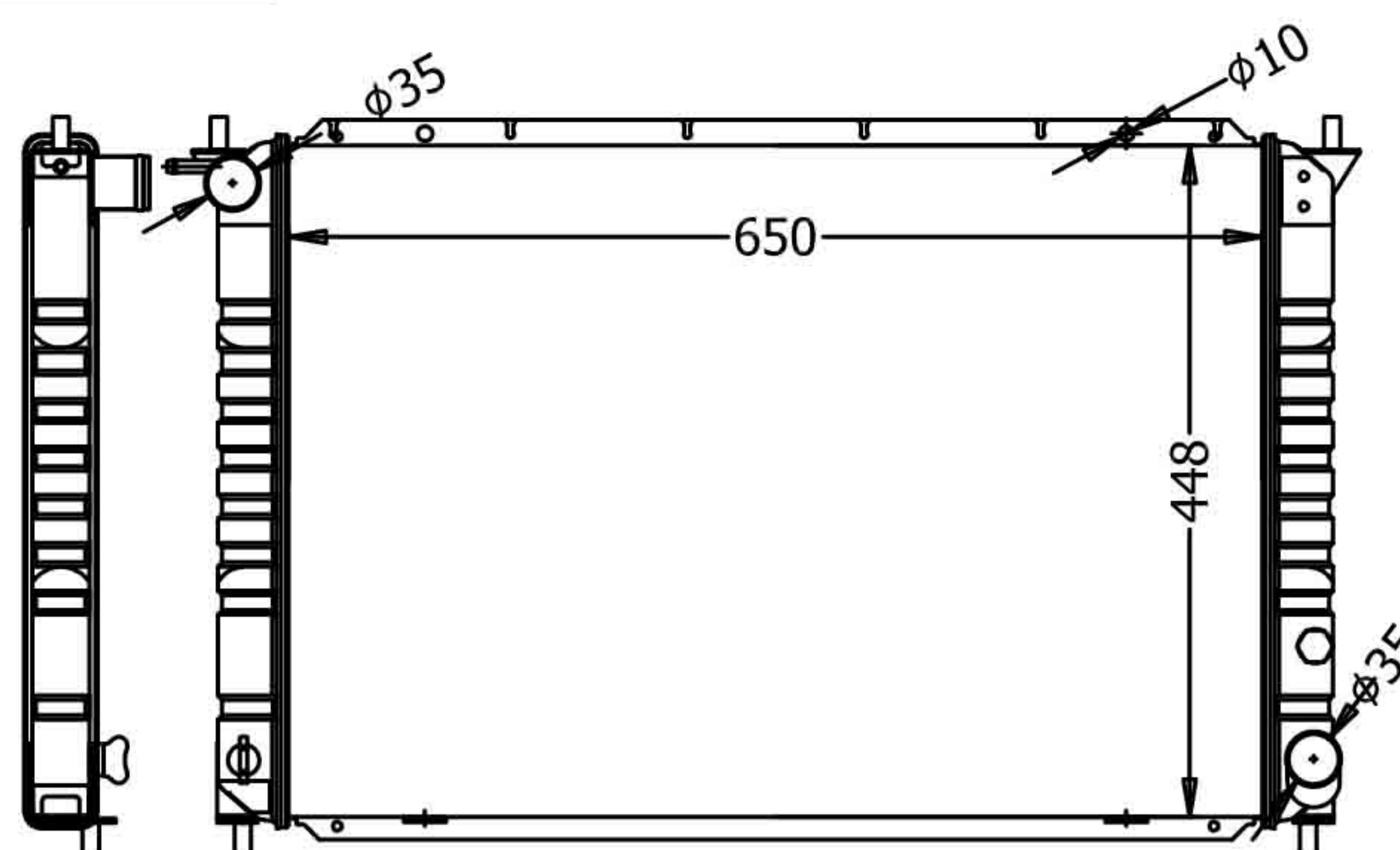
# HYUNDAI

HY-21007



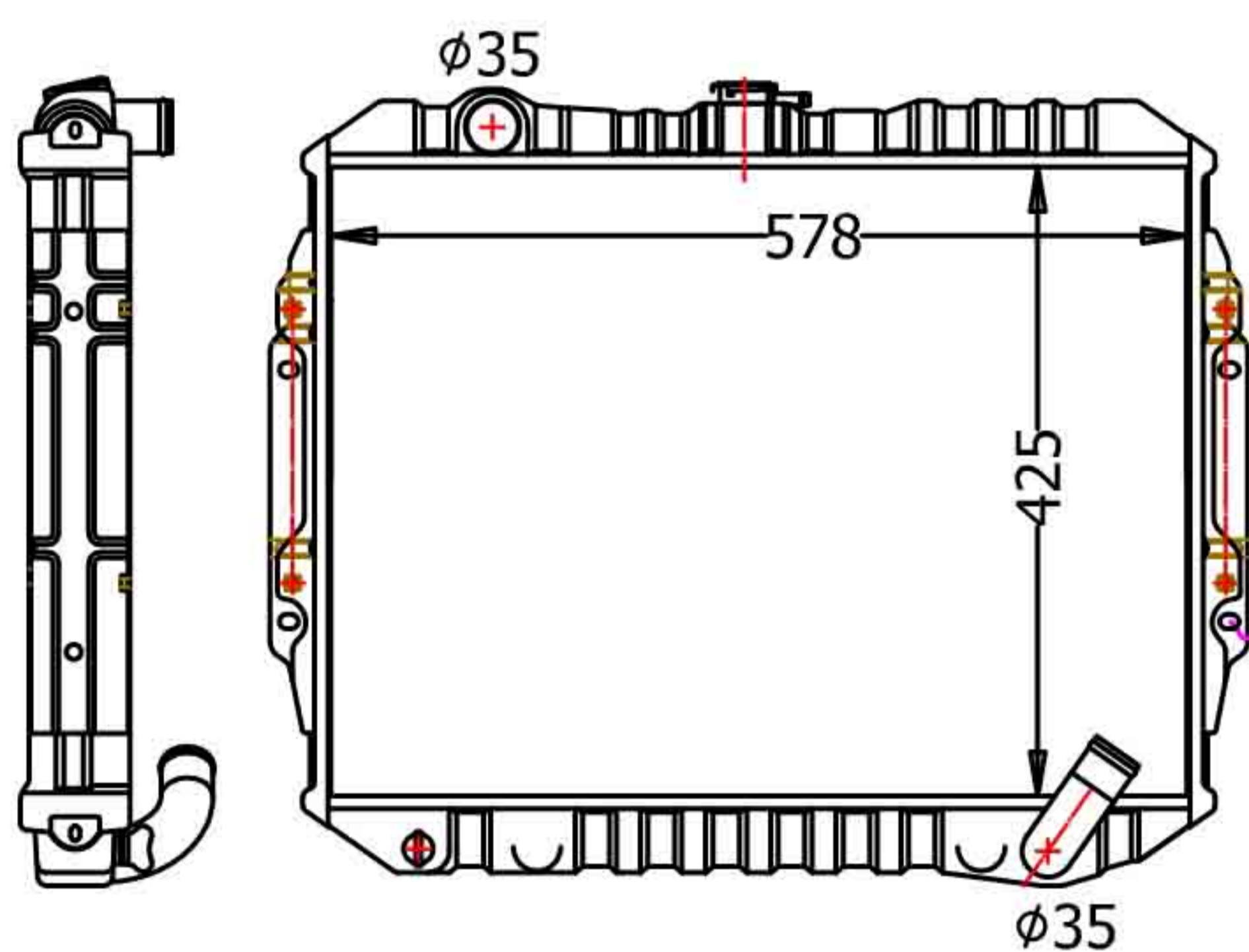
CARTYPE: TRADE2.5TON 96-00 (起亚2#) MT  
 CORE SIZE: BC 500\*466\*49 TANK SIZE: 495\*68  
 CARTON:  
 OEM: 00K41015200/0K41015200A  
 DPI:

HY-21008



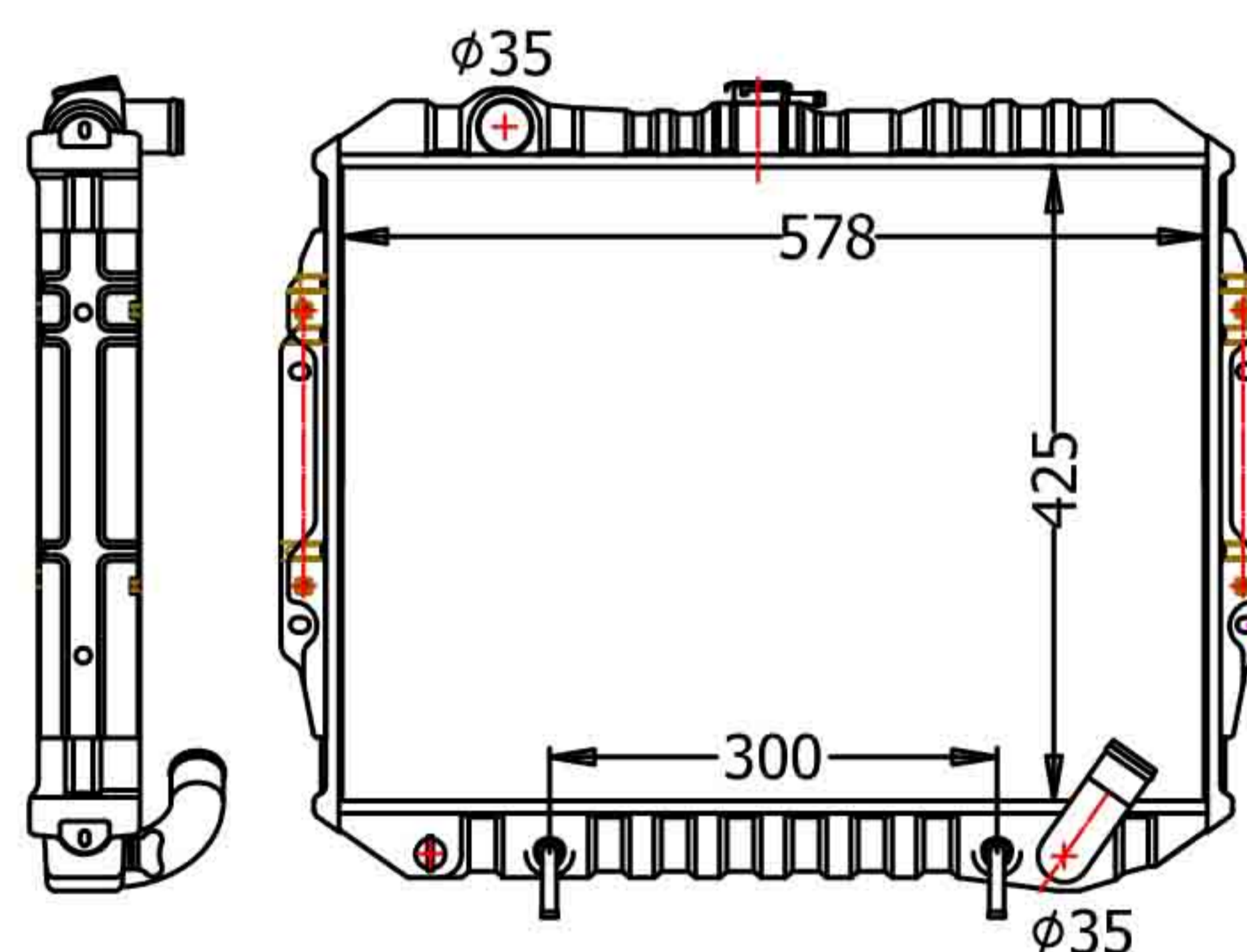
CARTYPE: THE DIESEL VERSION RUI FENG MT  
 CORE SIZE: BC 650\*448\*48 TANK SIZE: 460\*46  
 CARTON:  
 OEM:  
 DPI:

HY-21009



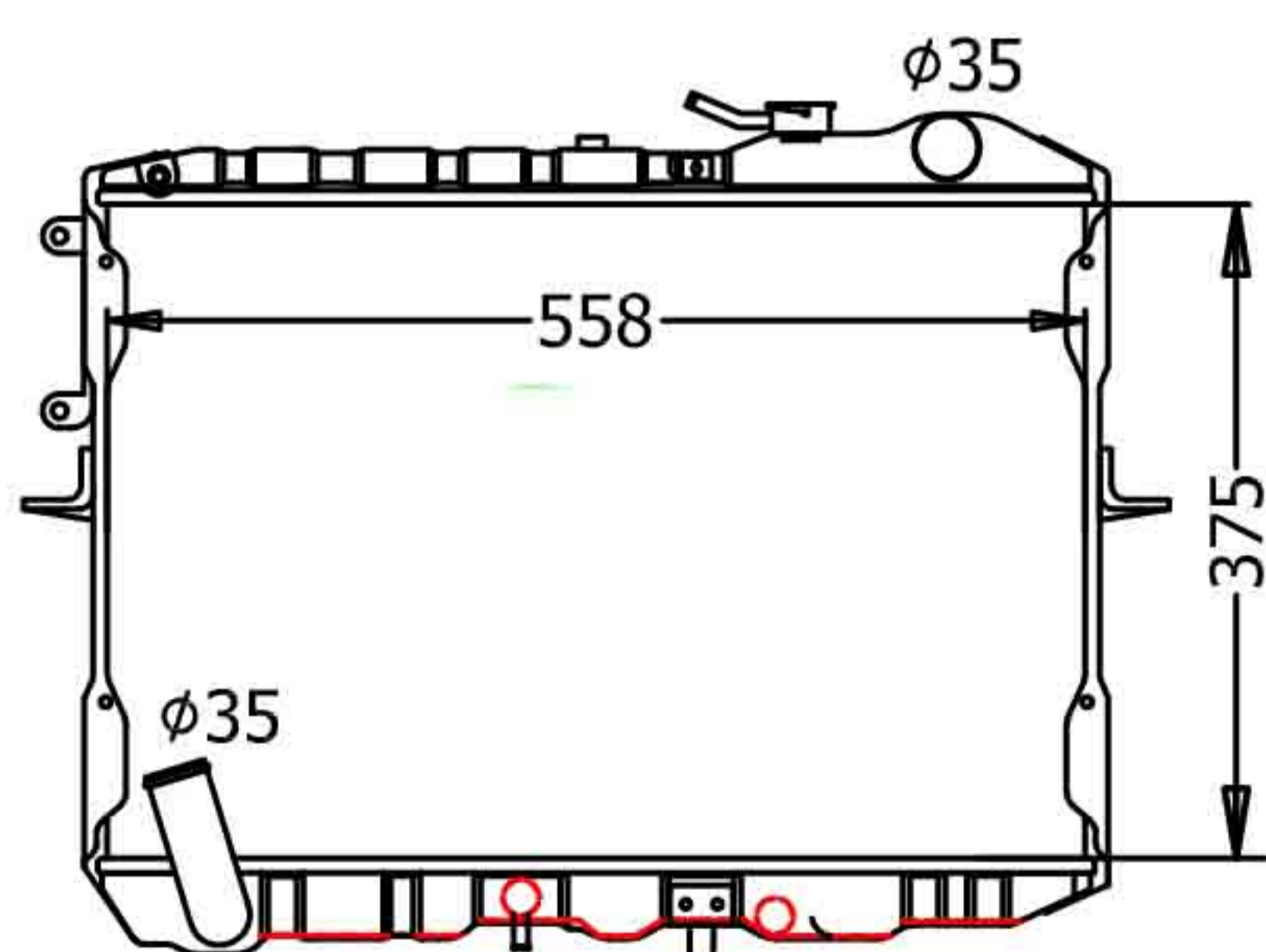
CARTYPE : GALLOPER I 2.5 TD 91- MT  
 CORE SIZE : BC :425×578×49 TANK SIZE :604\*62  
 CORE SIZE :  
 OEM :  
 DPI :

HY-21010



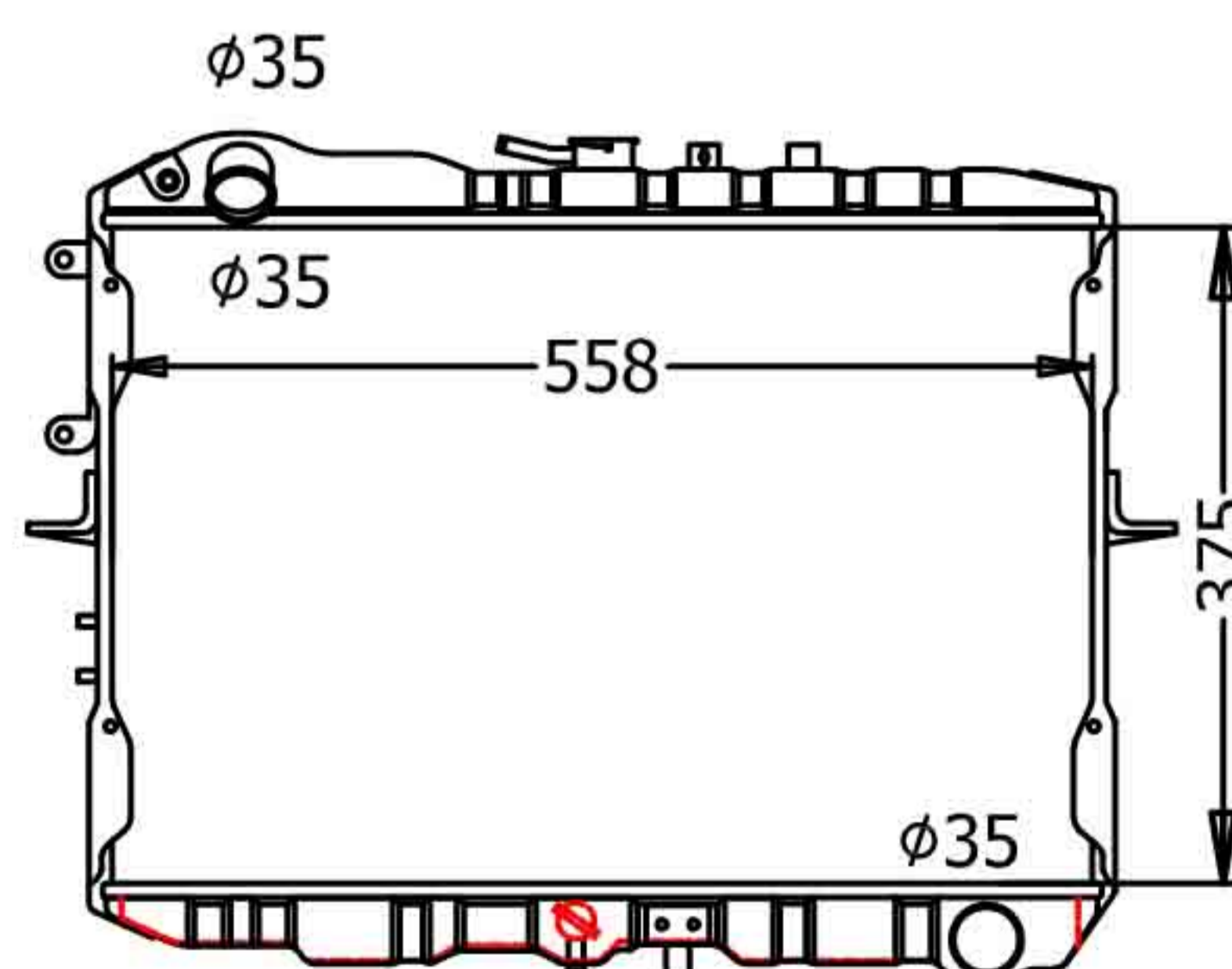
CARTYPE : GALLOPER I 2.5 TD 91- AT  
 CORE SIZE : BC :425×578×49 TANK SIZE :604\*62  
 CORE SIZE :  
 OEM :  
 DPI :

HY-21011



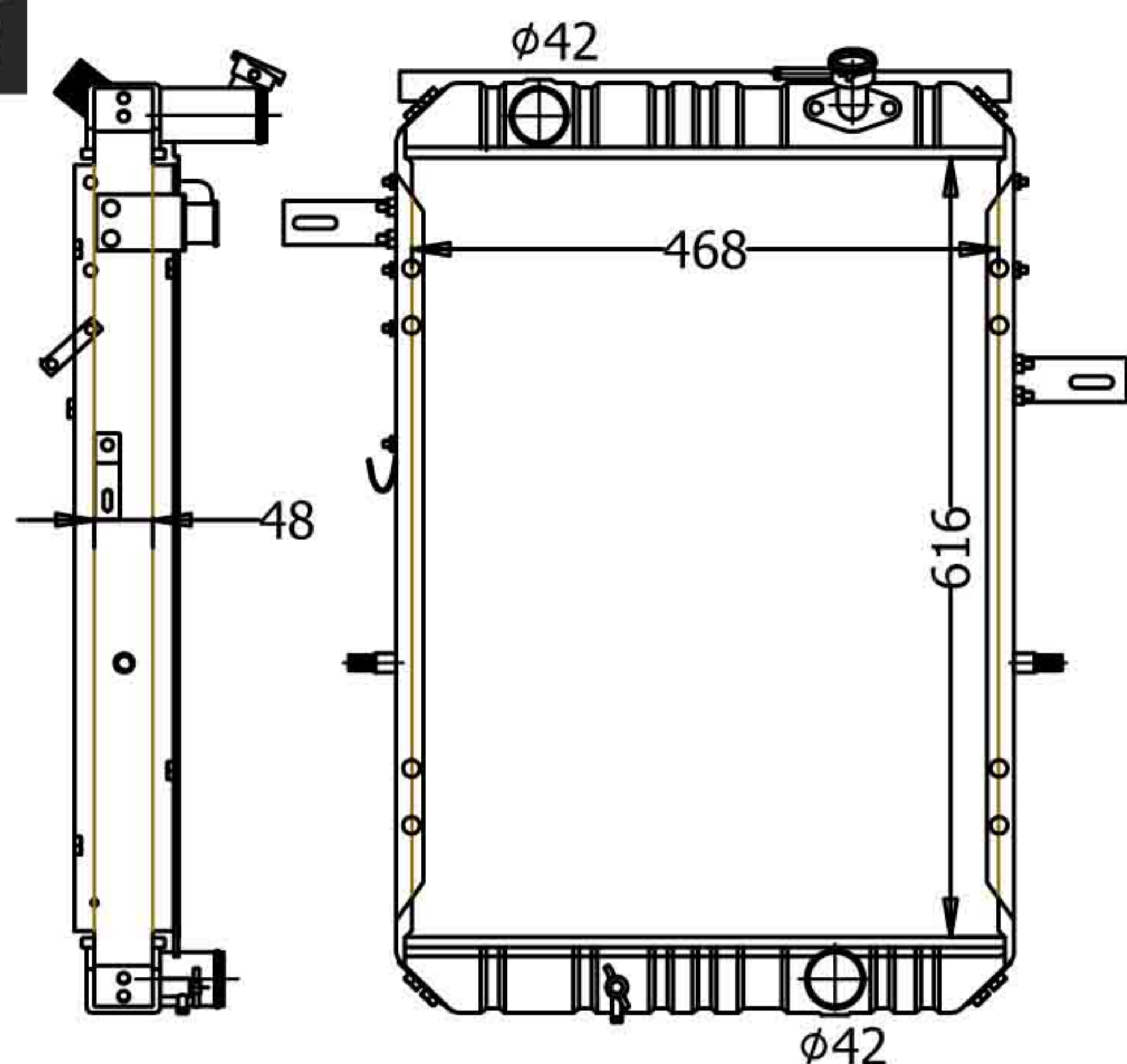
CARTYPE : KIA IRAO MTM  
 CORE SIZE : BC :375×558×49 TANK SIZE :55.5\*570  
 CORE SIZE :  
 OEM :  
 DPI :

HY-21012



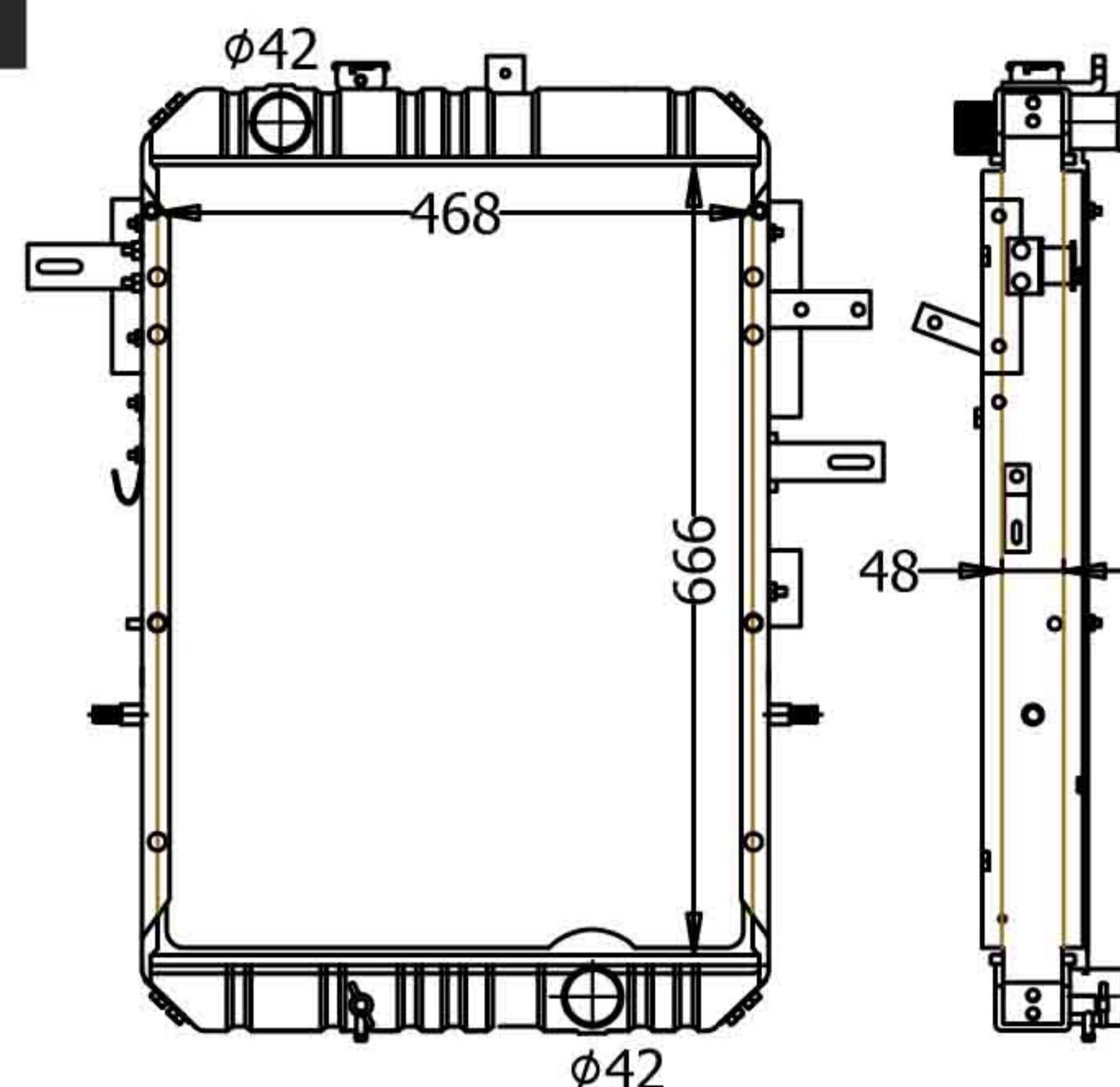
CARTYPE : KIA IRAO MTM  
 CORE SIZE : BC :375×558×49 TANK SIZE :55.5\*570  
 CORE SIZE :  
 OEM :  
 DPI :

HY-21013



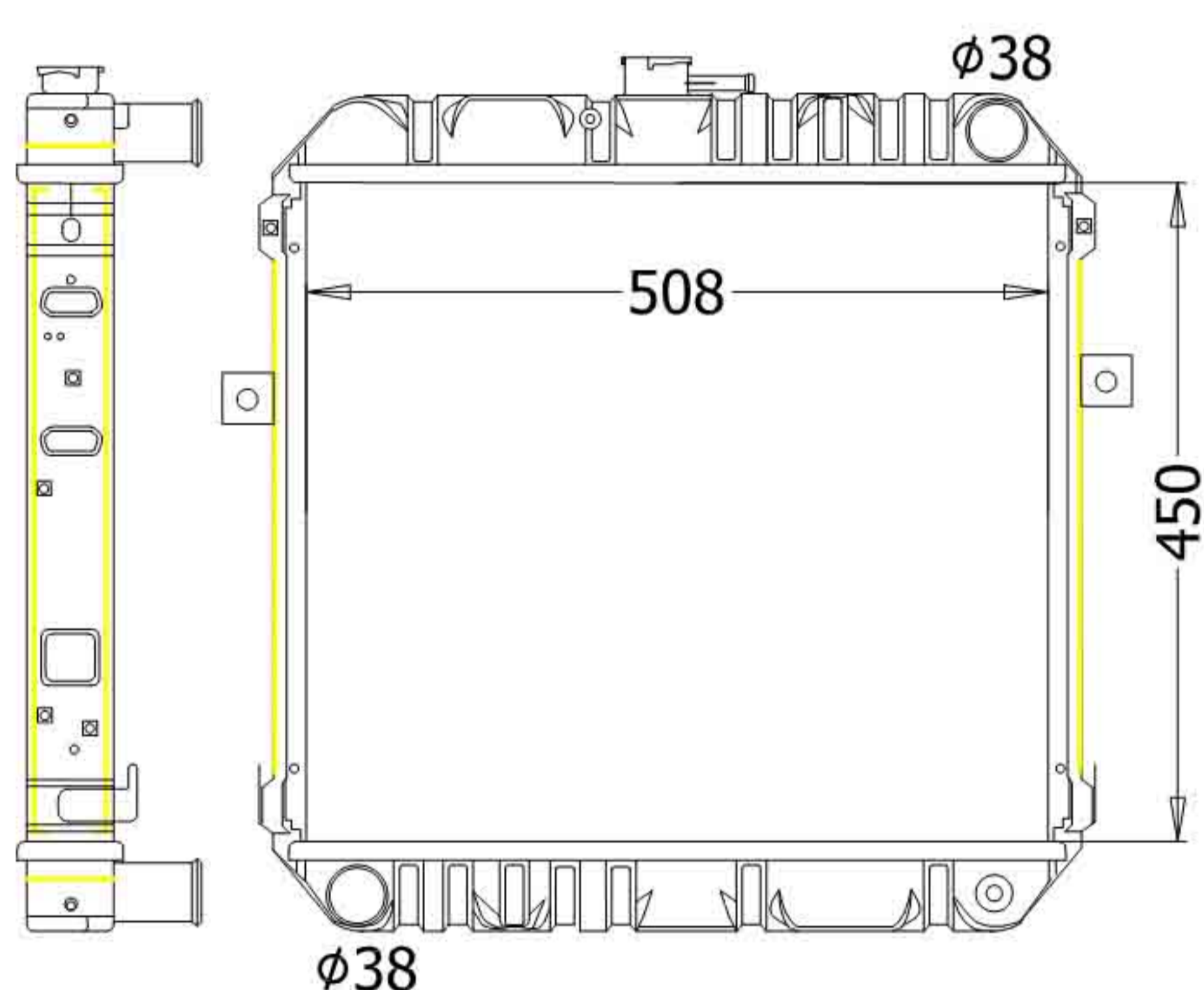
CARTYPE : HYUNDAI MINI-BUS MT  
 CORE SIZE : BC:616\*468\*48 TANK SIZE :69\*485  
 CARTON :  
 OEM :  
 DPI :

HY-21014



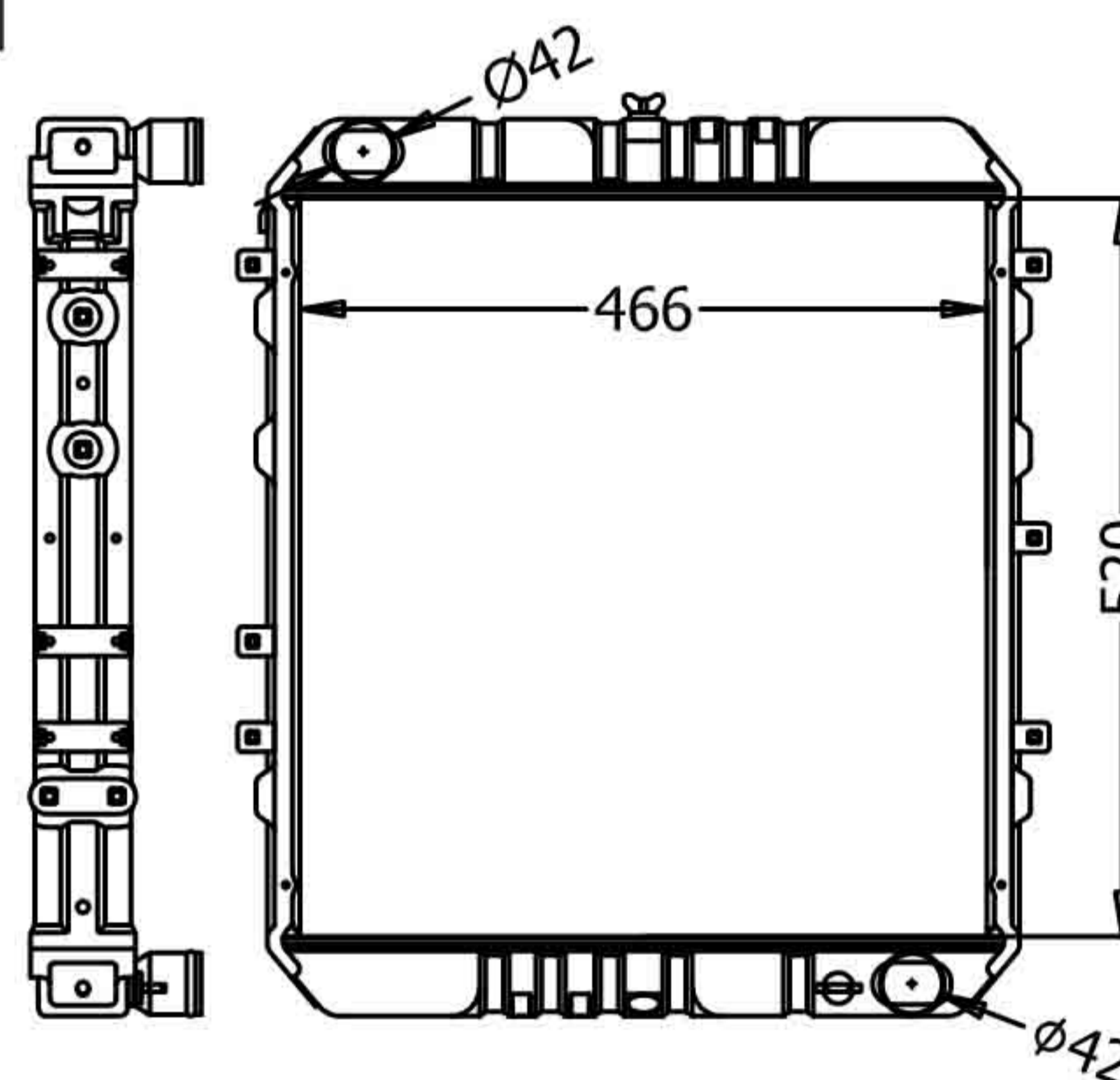
CARTYPE : HYUNDAI MINI-BUS MT  
 CORE SIZE : BC :666\*468\*48 TANK SIZE :69\*485  
 CARTO :  
 OEM :  
 DPI :

HY-21015



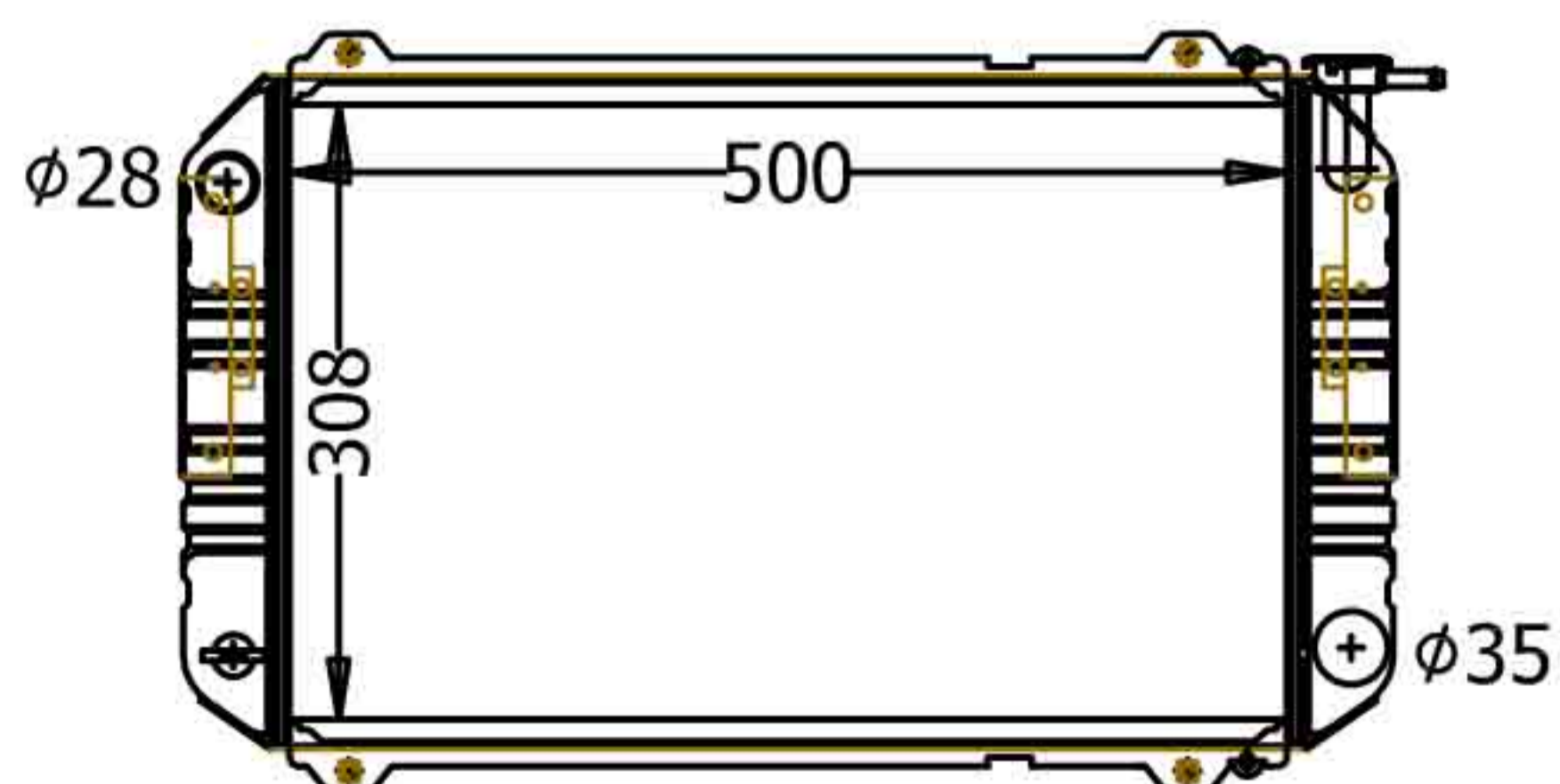
CARTYPE : KIA MT  
 CORE SIZE : BC : 450 × 508 × 48 TANK SIZE :59/59\*528  
 CARTON:  
 OEM :  
 DPI :

HY-21016



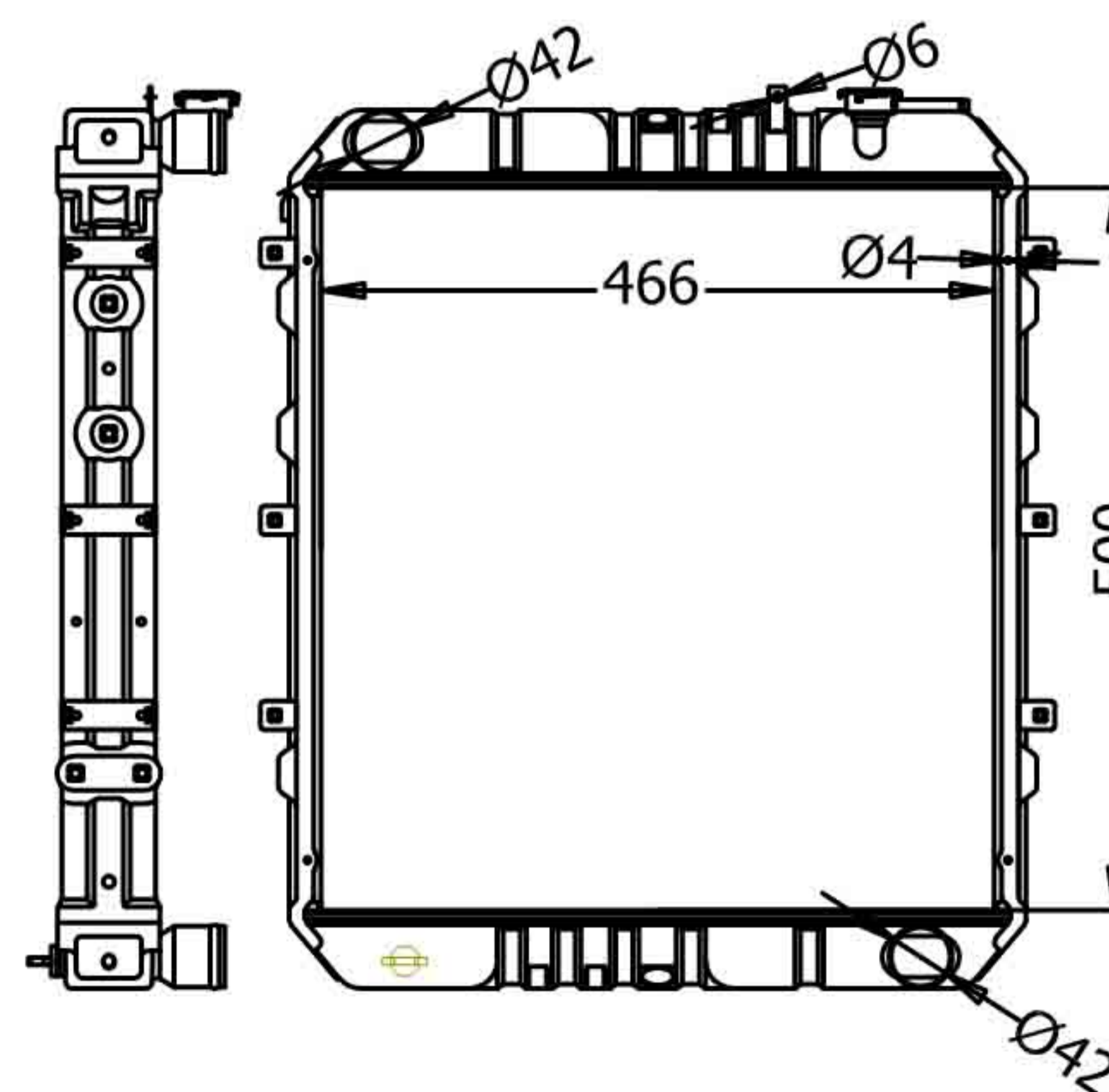
CARTYPE: TRADE2.5TON 96-00 MT  
 CORE SIZE: BC 520\*466\*49 TANK SIZE: 495\*68  
 CARTON:  
 OEM:  
 DPI:

HY-21017



CARTYPE : DAMAS MT  
 CORE SIZE : BC : 500x308x32 TANK SIZE :330x46  
 CARTON:  
 OEM :  
 DPI :

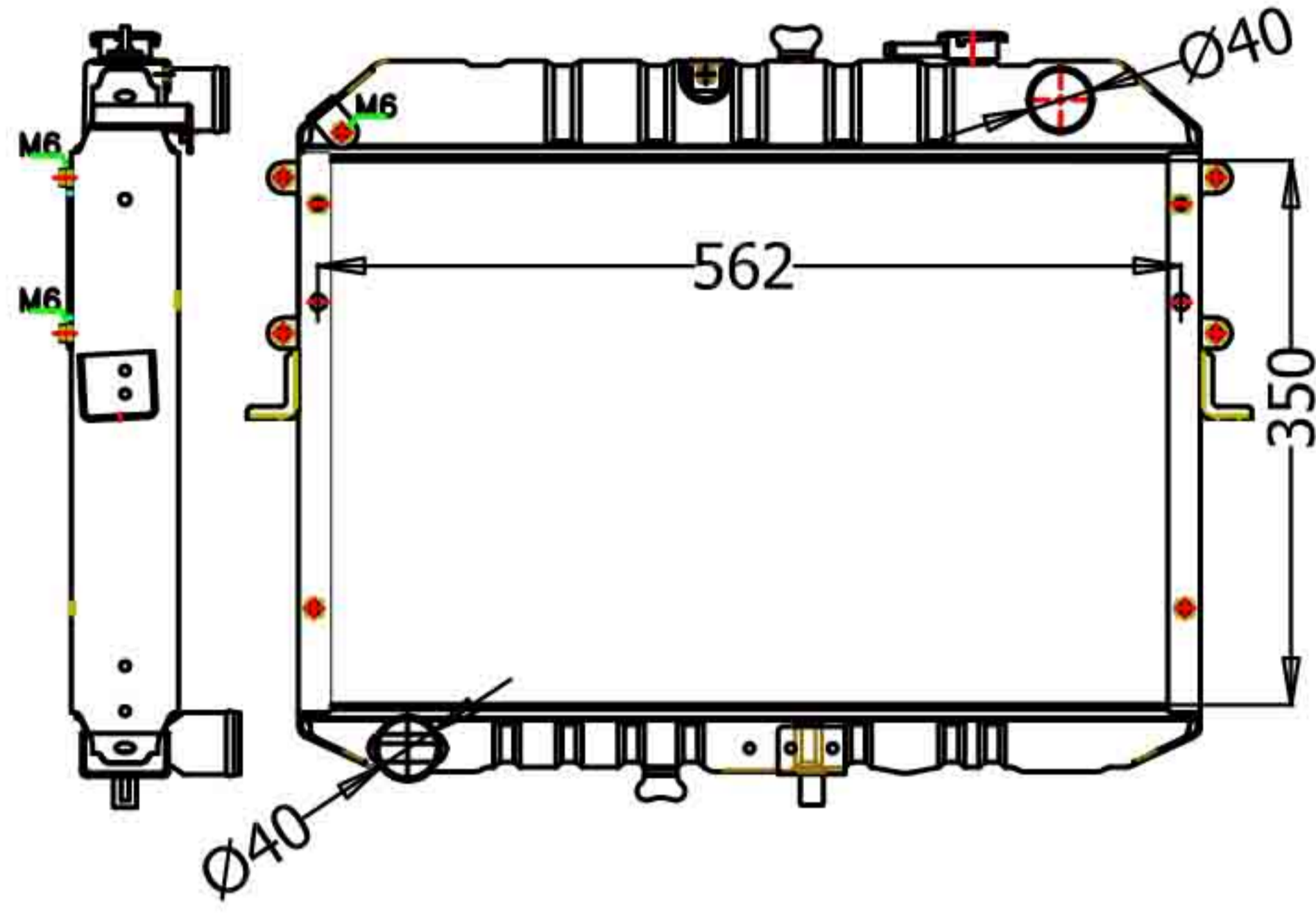
HY-21018



CARTYPE:TRADE 2.5T ON 69-00 (起亚) MT  
 CORE SIZE:BC 500\*466\*49 TANK SIZE:495\*68  
 CARTON:  
 OEM:  
 DPI:

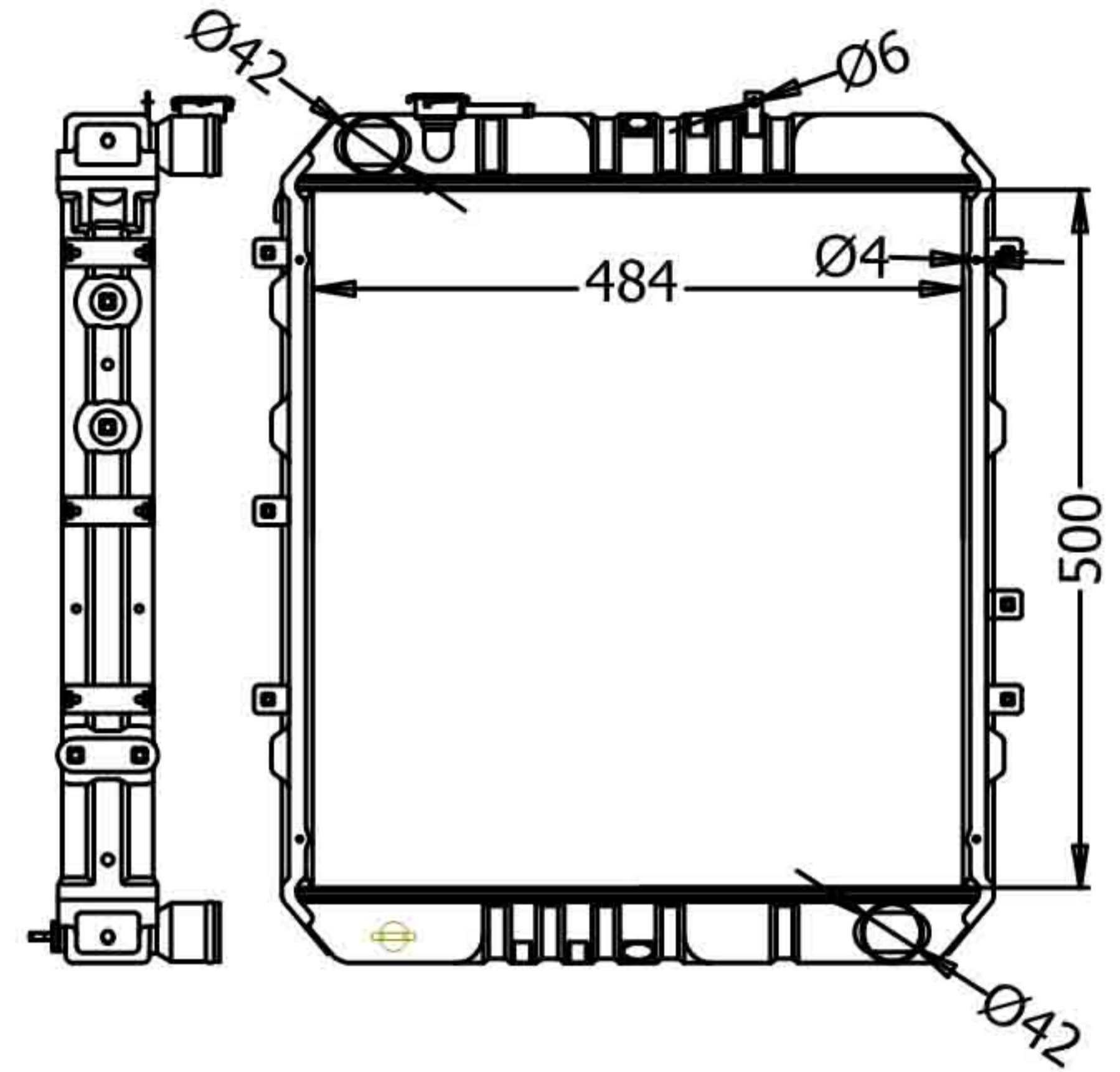
# HYUNDAI

HY-21019



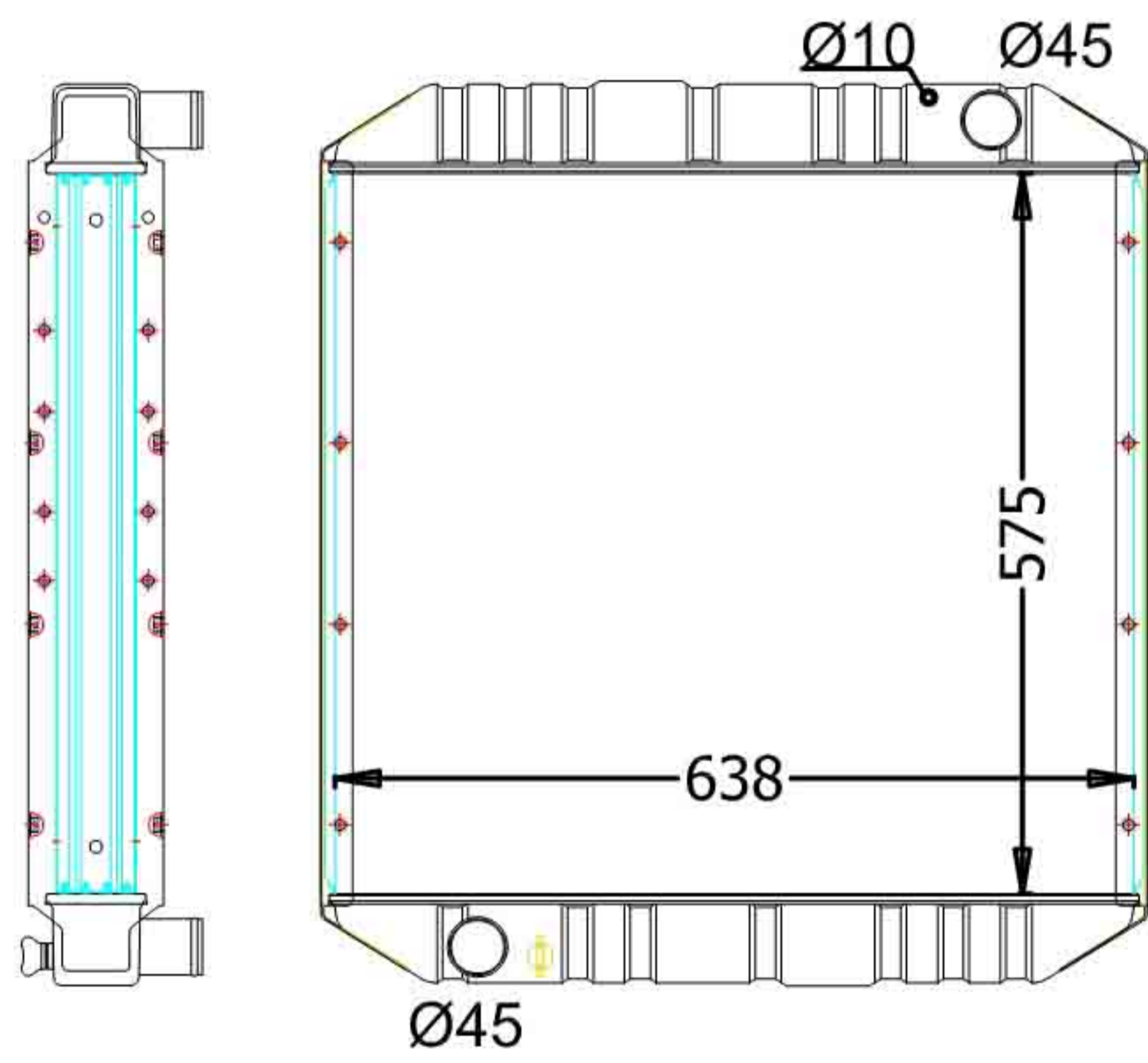
CARTYPE: BONGO  
 CORE SIZE:BC 350\*562\*49 TANK SIZE:572\*60  
 CARTON:  
 OEM:  
 DPI:

HY-21020



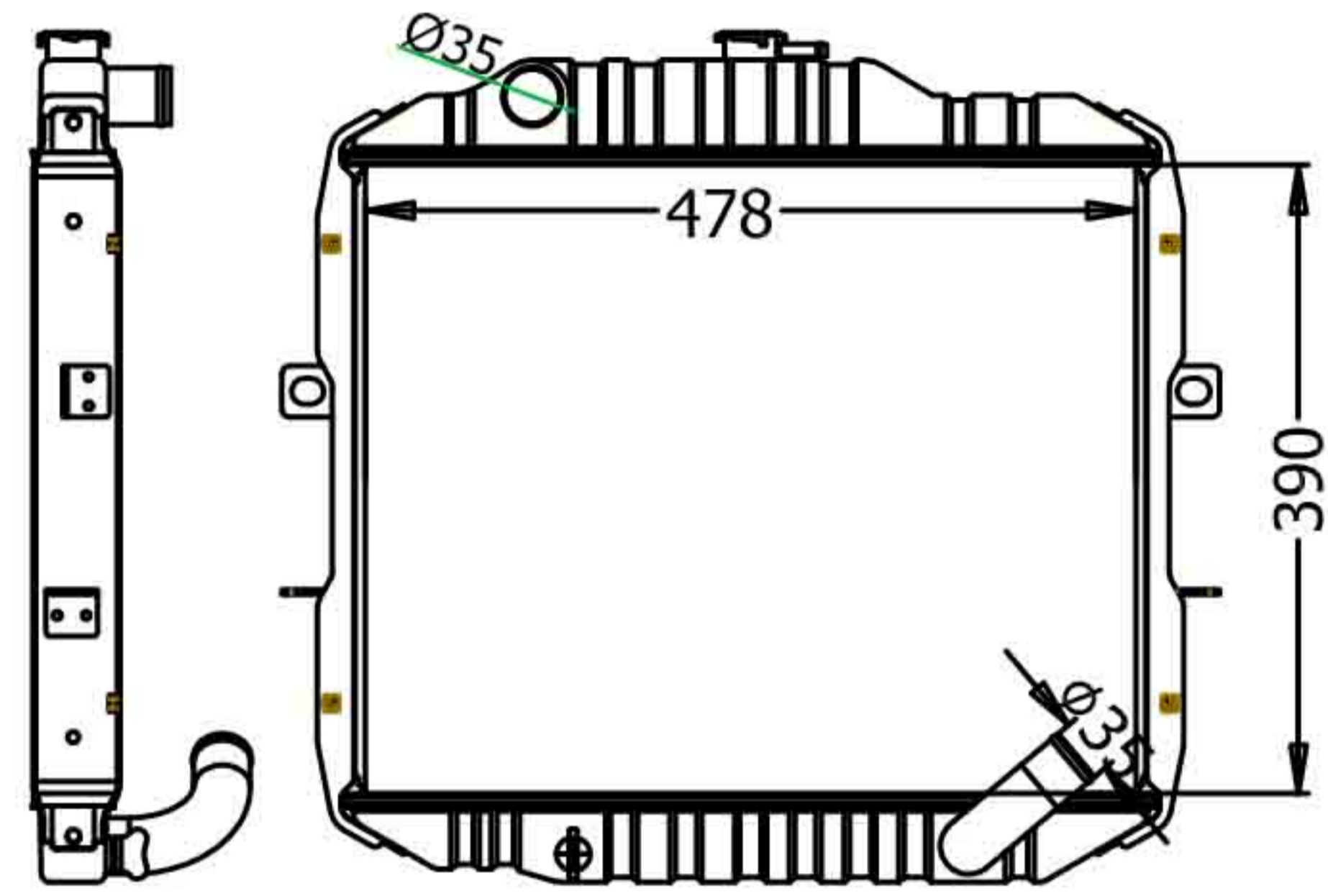
CARTYPE:  
 CORE SIZE:BC: 500\*484\*49 TANK SIZE:  
 CARTON:  
 OEM:  
 DPI:

HY-21021



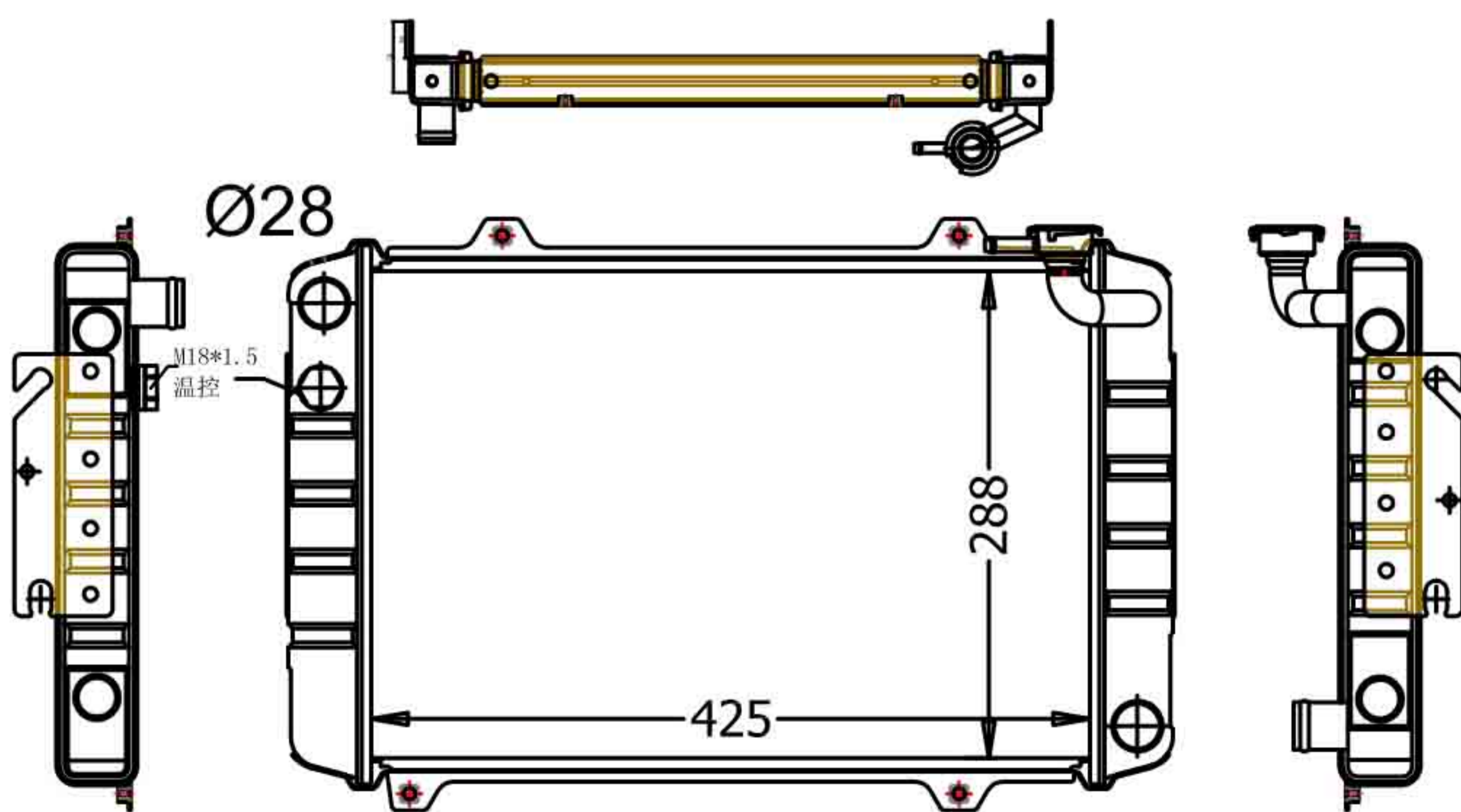
CARTYPE: KIA RERO  
 CORE SIZE:BC: 575\*638\*64 TANK SIZE:645\*78  
 CARTON:  
 OEM:  
 DPI:

HY-21022



CARTYPE:MODERN PICKUP (现代皮卡) MT  
 CORE SIZE:BC: 390\*478\*32 TANK SIZE:500\*48  
 CARTON:  
 OEM:  
 DPI:

HY-21023

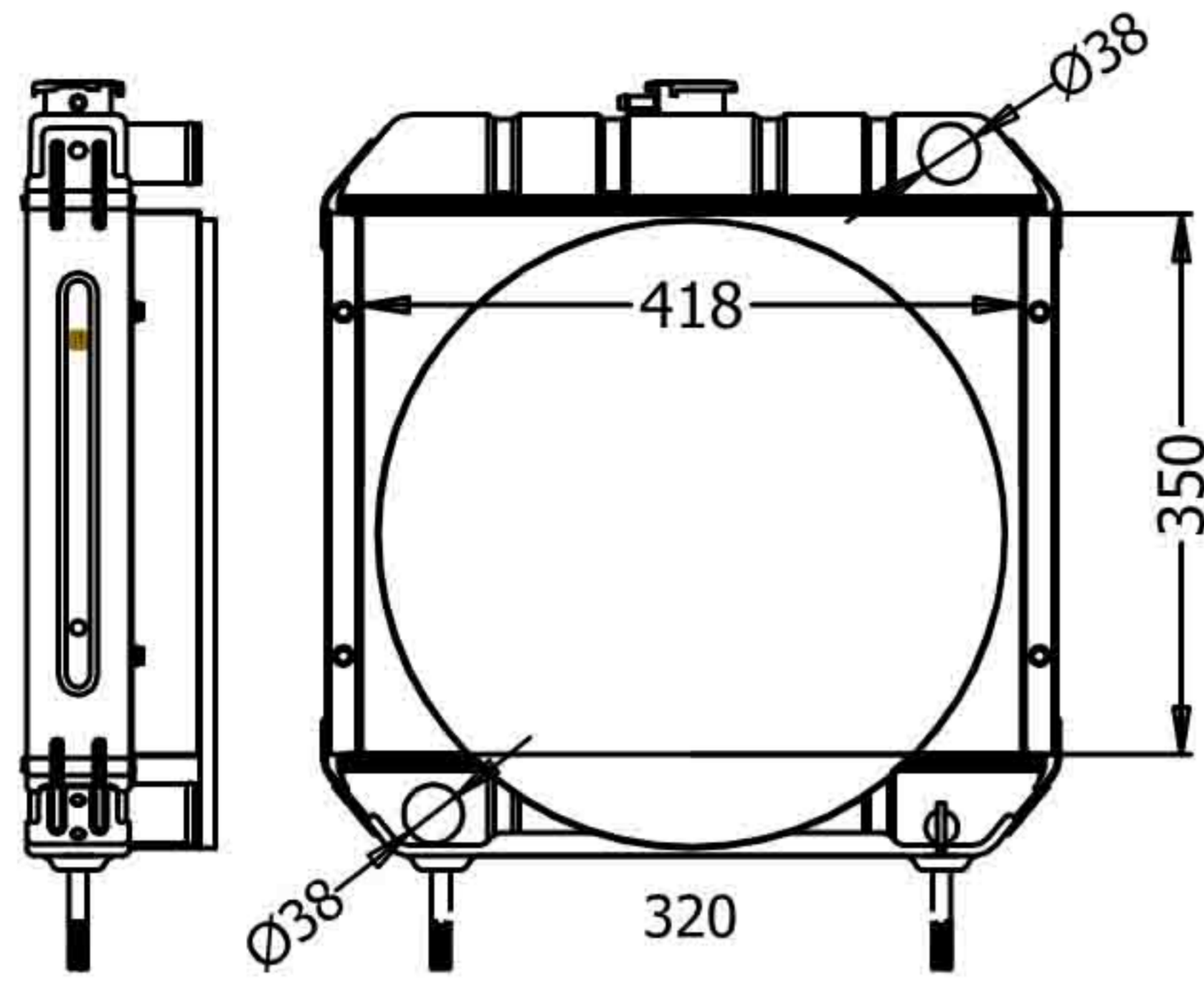


CARTYPE:  
 CORE SIZE:BC: 425\*288\*32 TANK SIZE: 317\*45  
 CARTON:  
 OEM:  
 DPI:

HY-21024

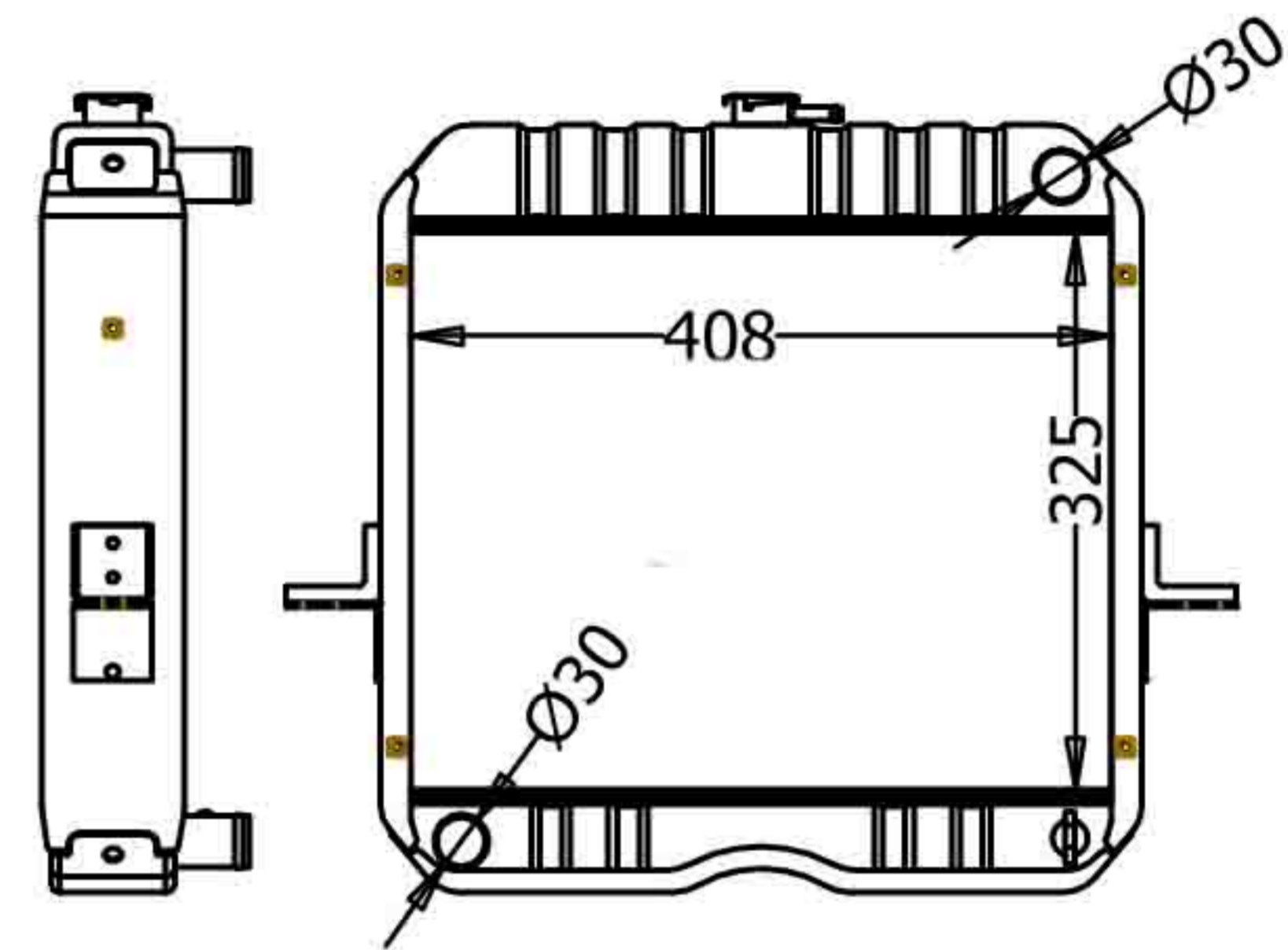
# FARM

TR-23001



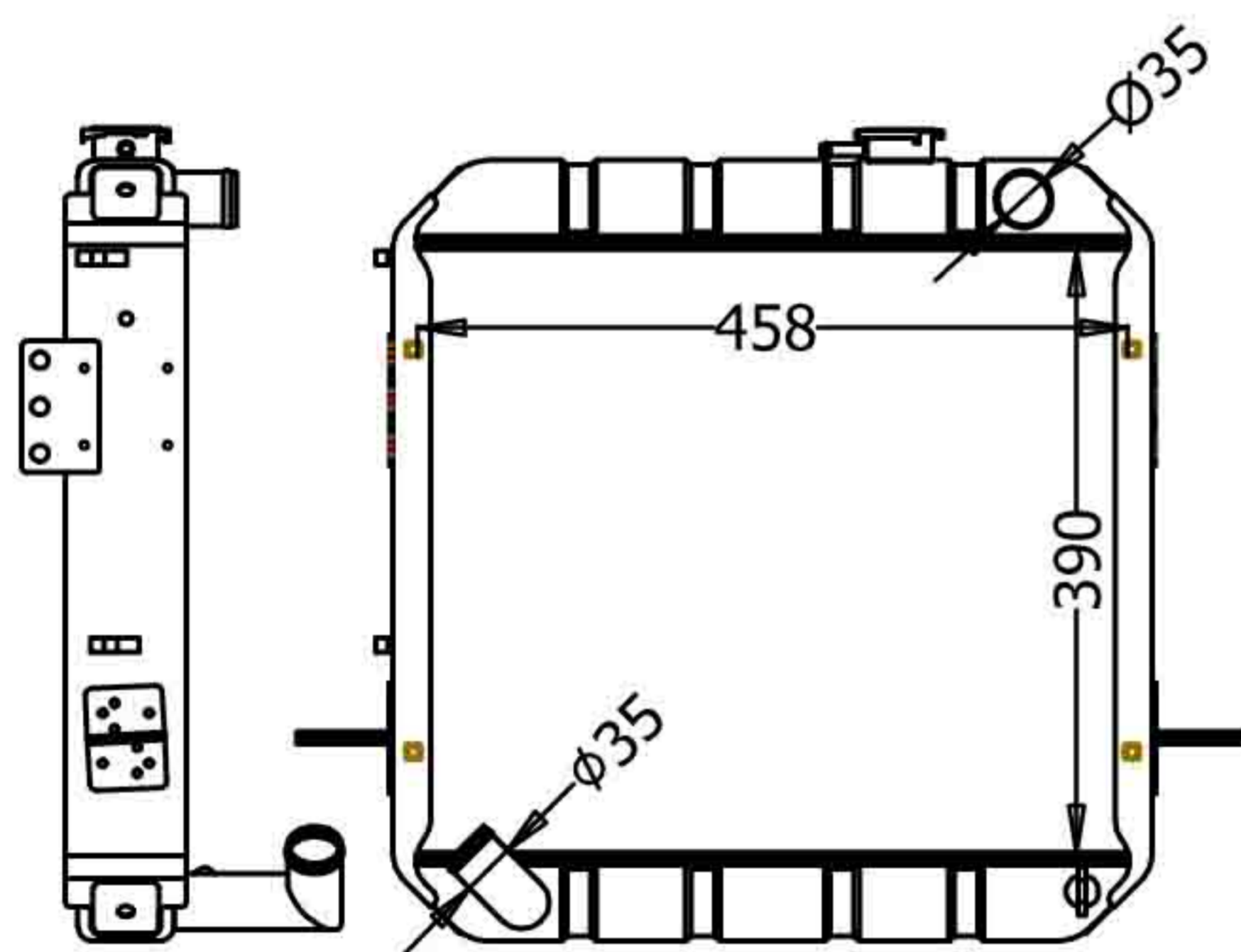
CARTYPE: OFTEN THE 2100(常通2100) MT  
 CORE SIZE: BC 350x418x49 TANK SIZE: 453\*69  
 CARTON:  
 OEM:  
 DPI:

TR-23002



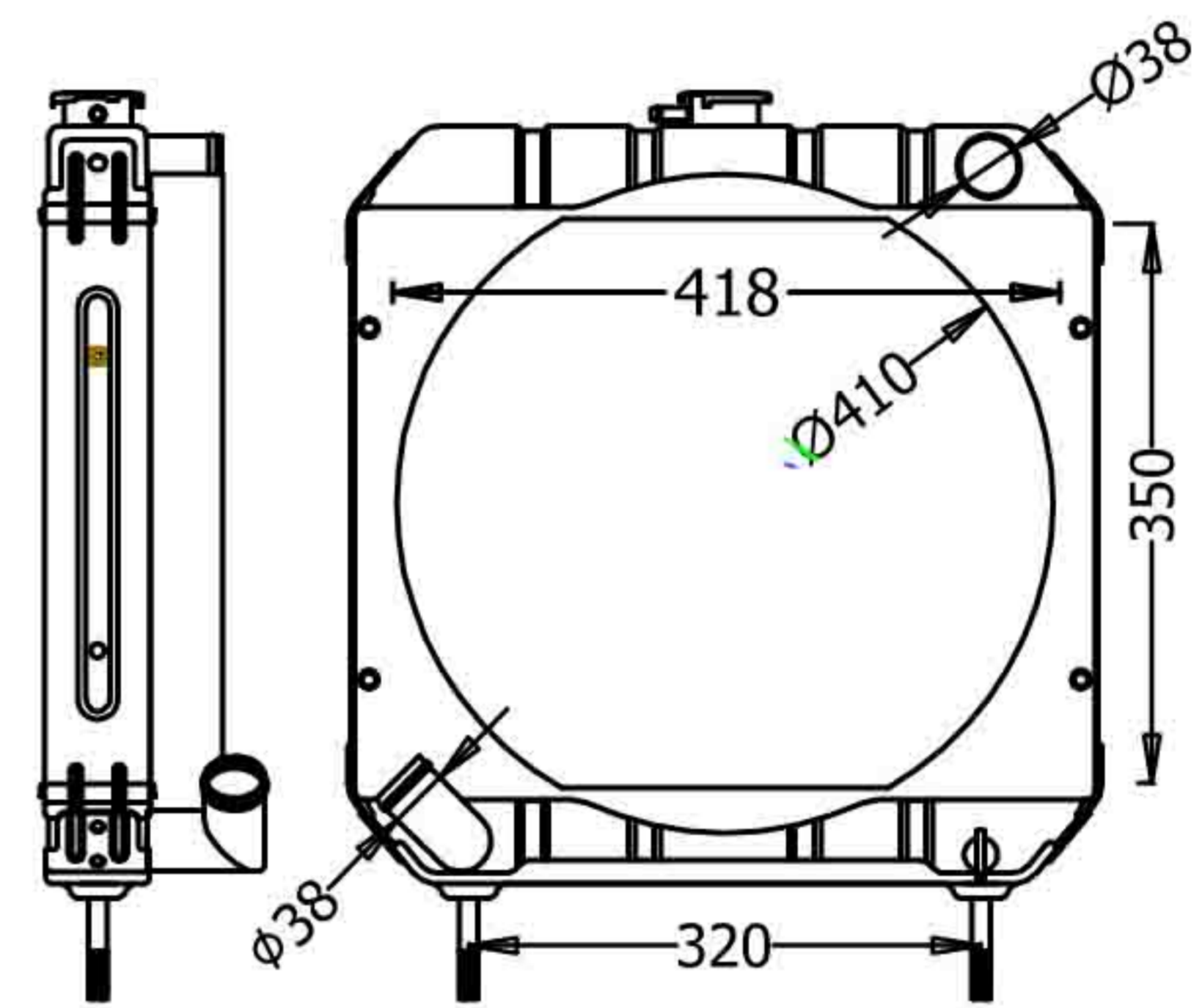
CARTYPE: SMALL JIANGHUAI (小江淮) MT  
 CORE SIZE: BC 325x408x64 TANK SIZE: 435\*77  
 CARTON:  
 OEM:  
 DPI:

TR-23003



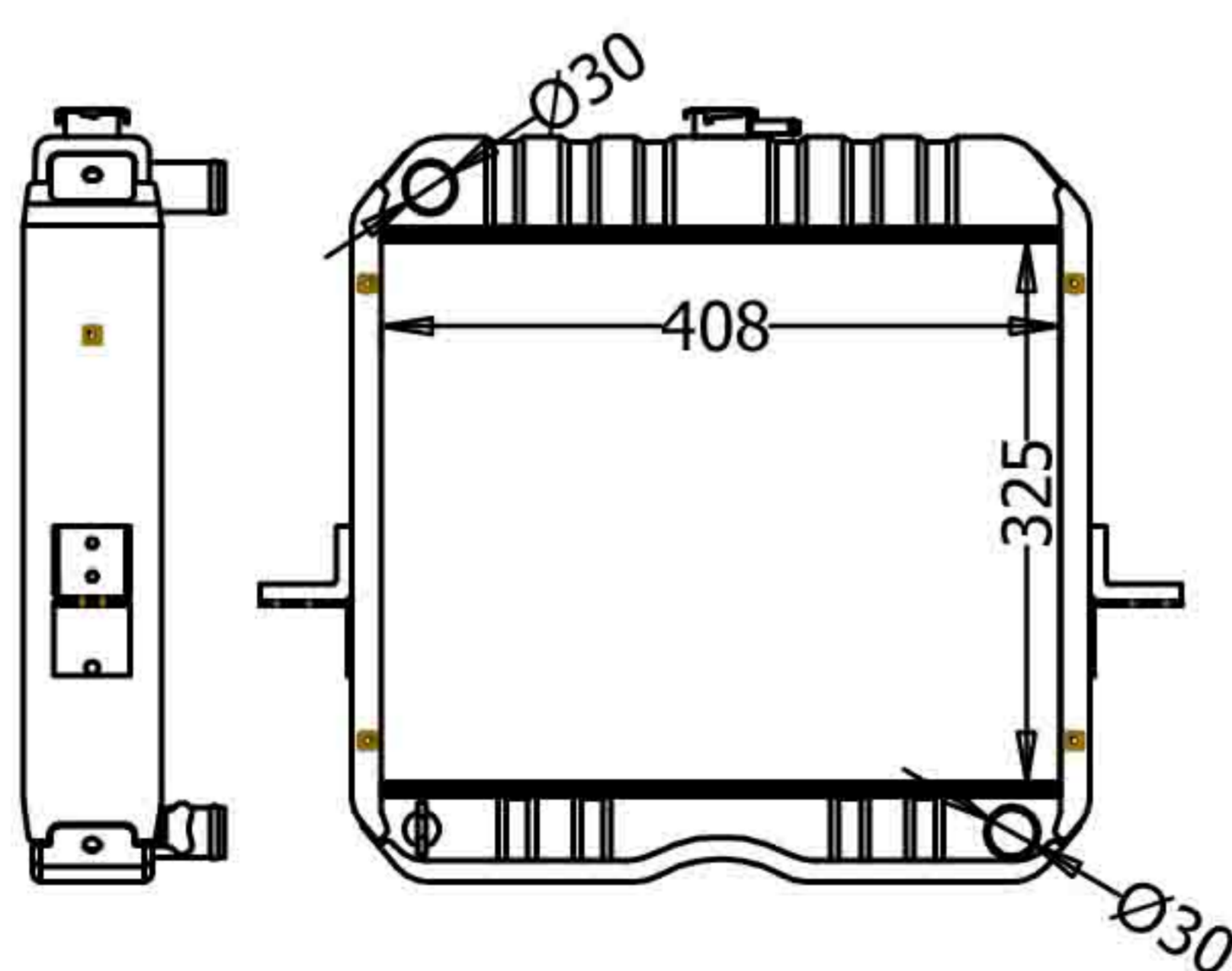
CARTYPE: FUKUDE (福田) MT  
 CORE SIZE: BC 390x458x49 TANK SIZE: 476\*70  
 CARTON:  
 OEM:  
 DPI:

TR-23004



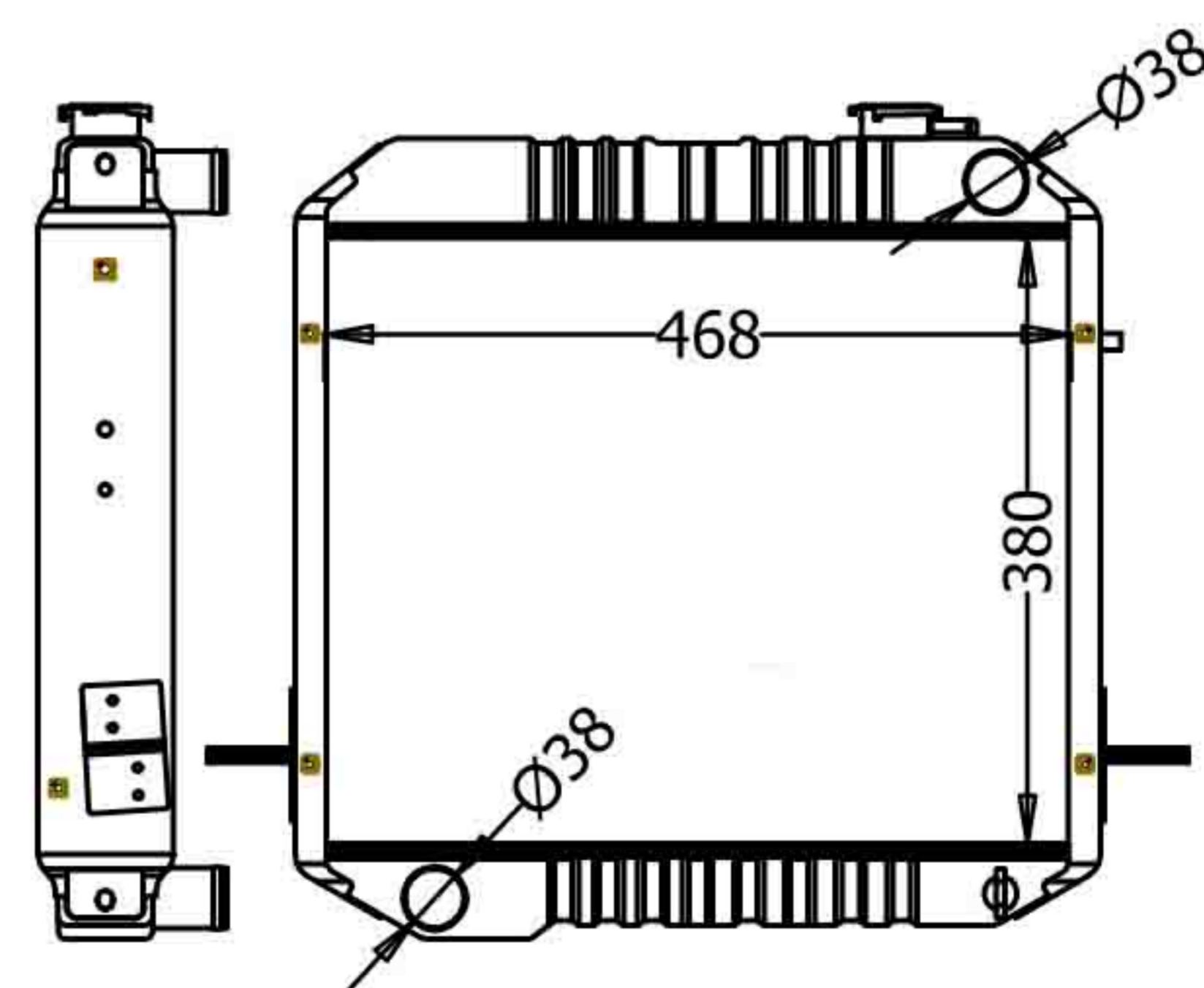
CARTYPE: HENG YANG2100(衡阳2100) / 力佳2105 MT  
 CORE SIZE: BC 350x418x32 TANK SIZE: 453\*69  
 CARTON:  
 OEM:  
 DPI:

TR-23005



CARTYPE: SMALL JIANGHUAI 2# (小江淮2#) MT  
 CORE SIZE: BC 325x408x64 TANK SIZE: 453\*77  
 CARTON:  
 OEM:  
 DPI:

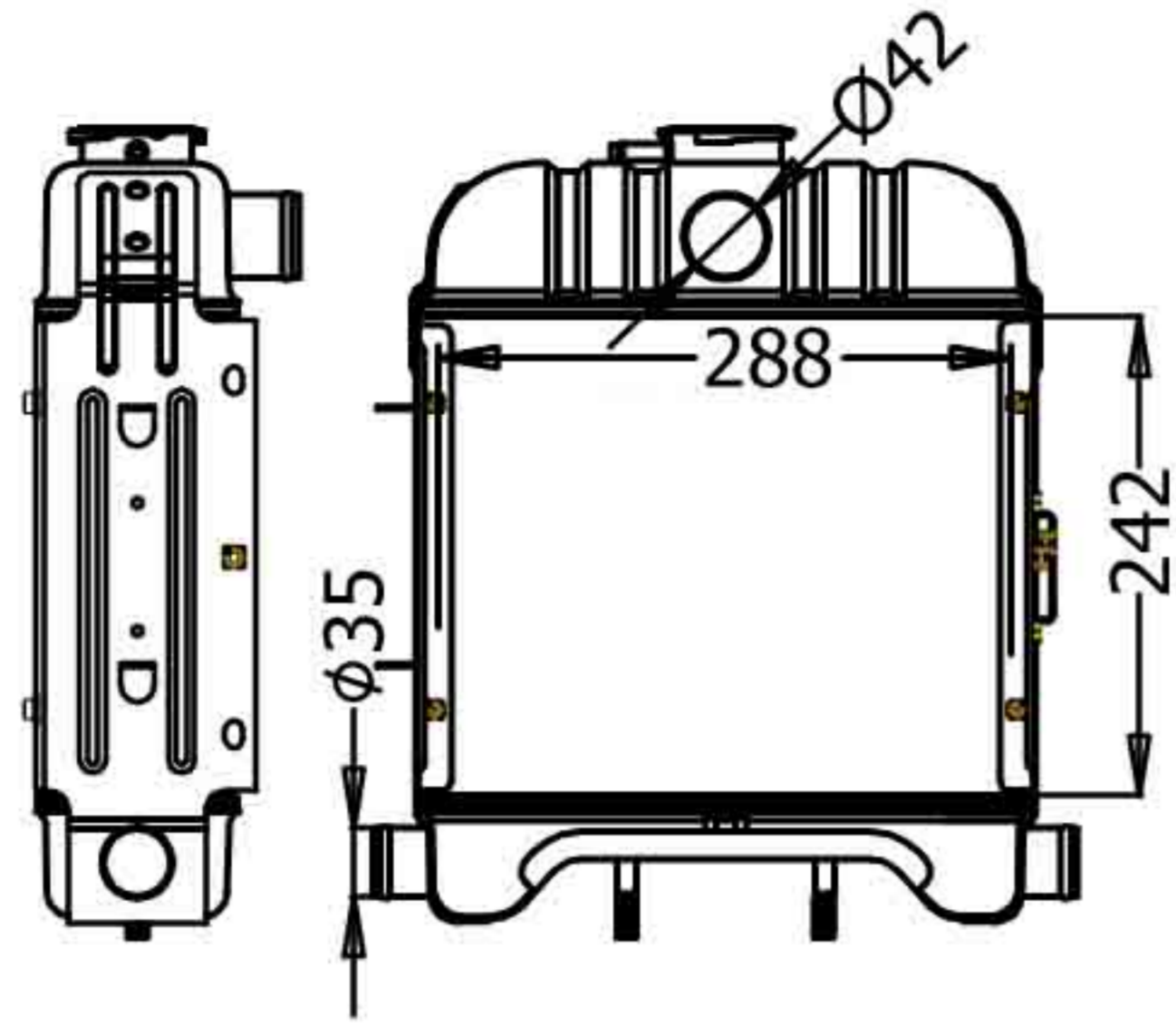
TR-23006



CARTYPE: SHAO CHAI4100 (邵柴1400) MT  
 CORE SIZE: BC 380x468x32 TANK SIZE: 495\*68  
 CARTON: 640\*565\*135  
 OEM:  
 DPI:

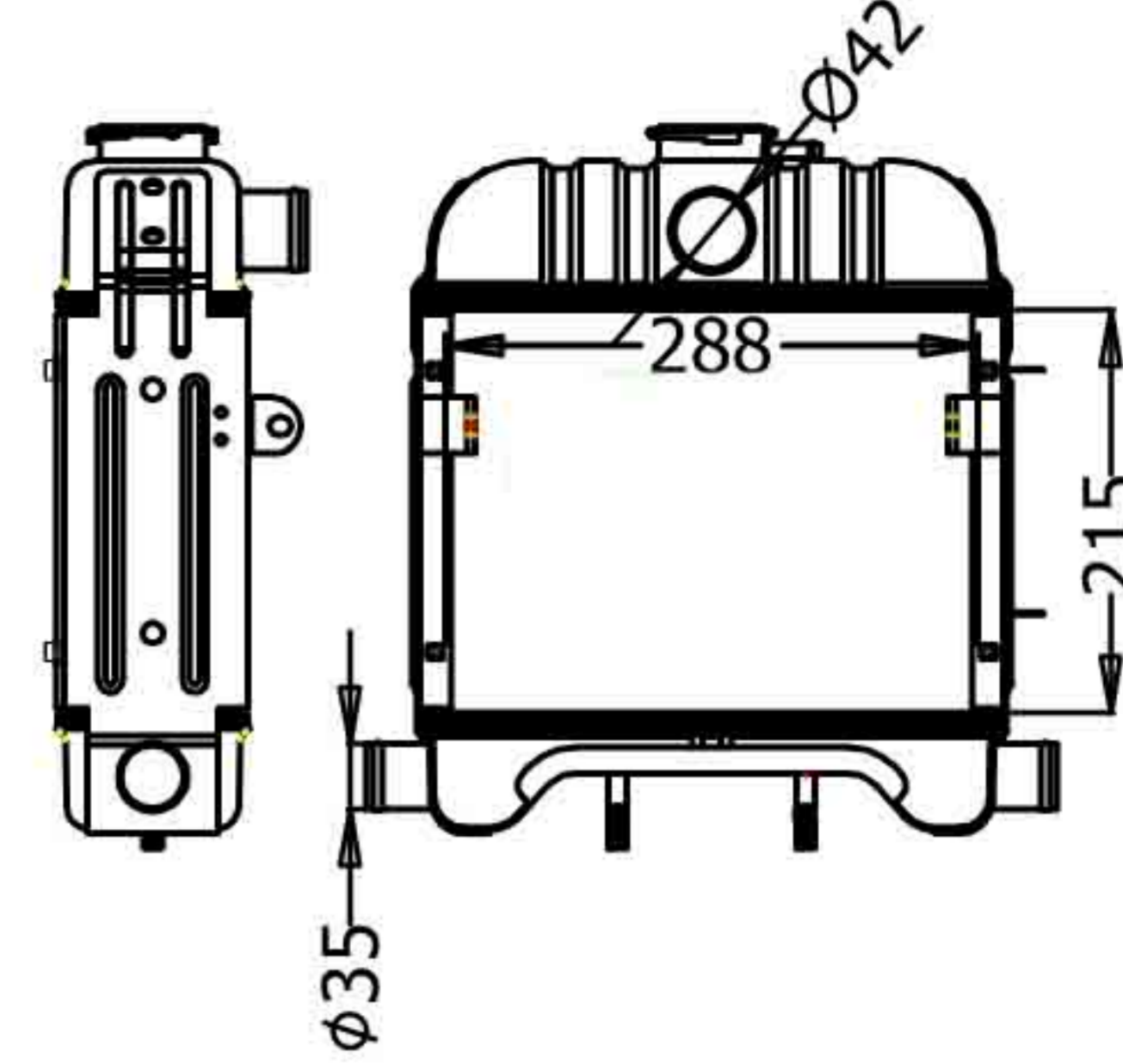
# FARM

TR-23007



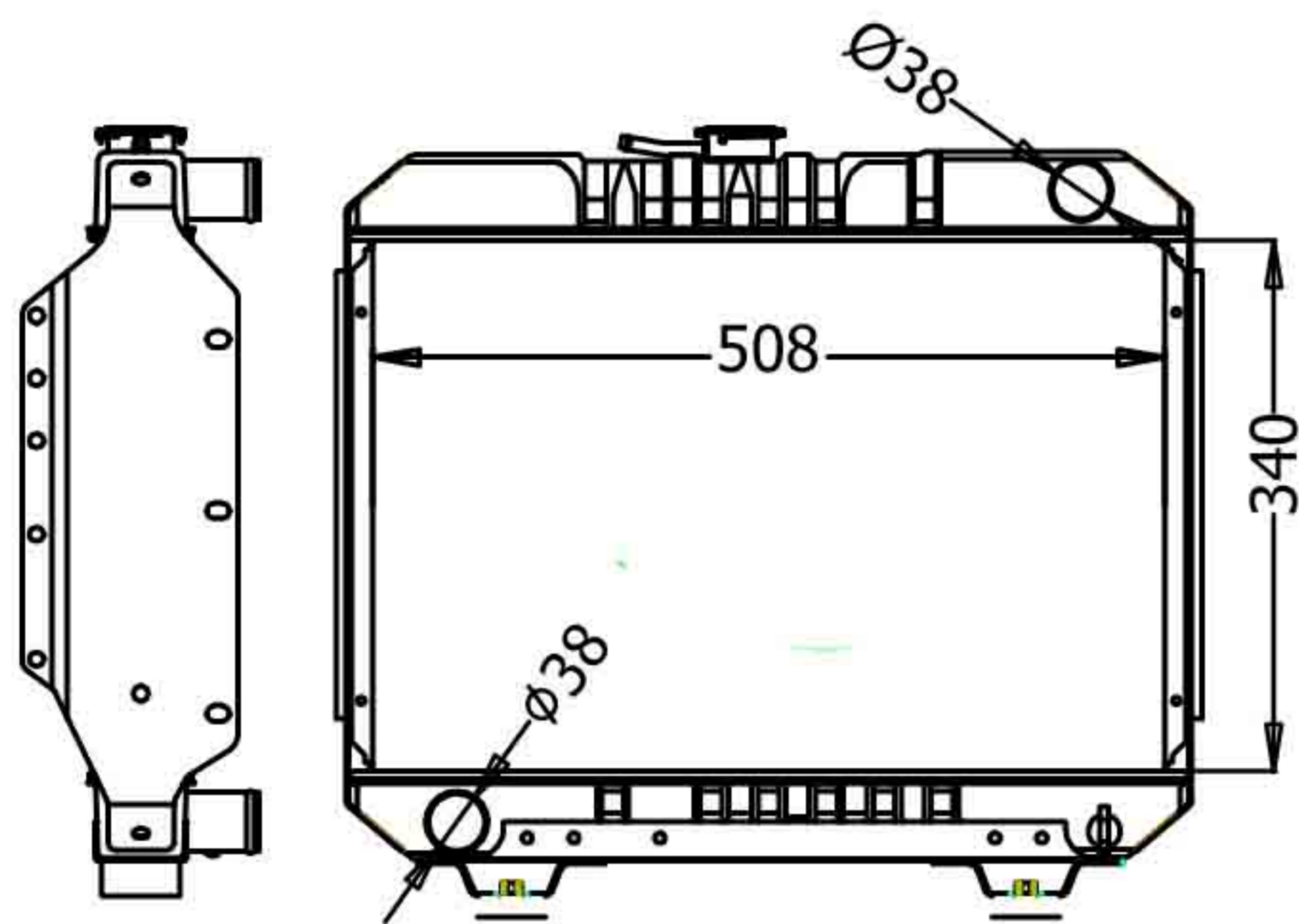
CARTYPE: TRACTOR1105(拖拉机1105) MT  
 CORE SIZE: BC 242x288x70 TANK SIZE: 305\*100  
 CARTON:  
 OEM:  
 DPI:

TR-23008



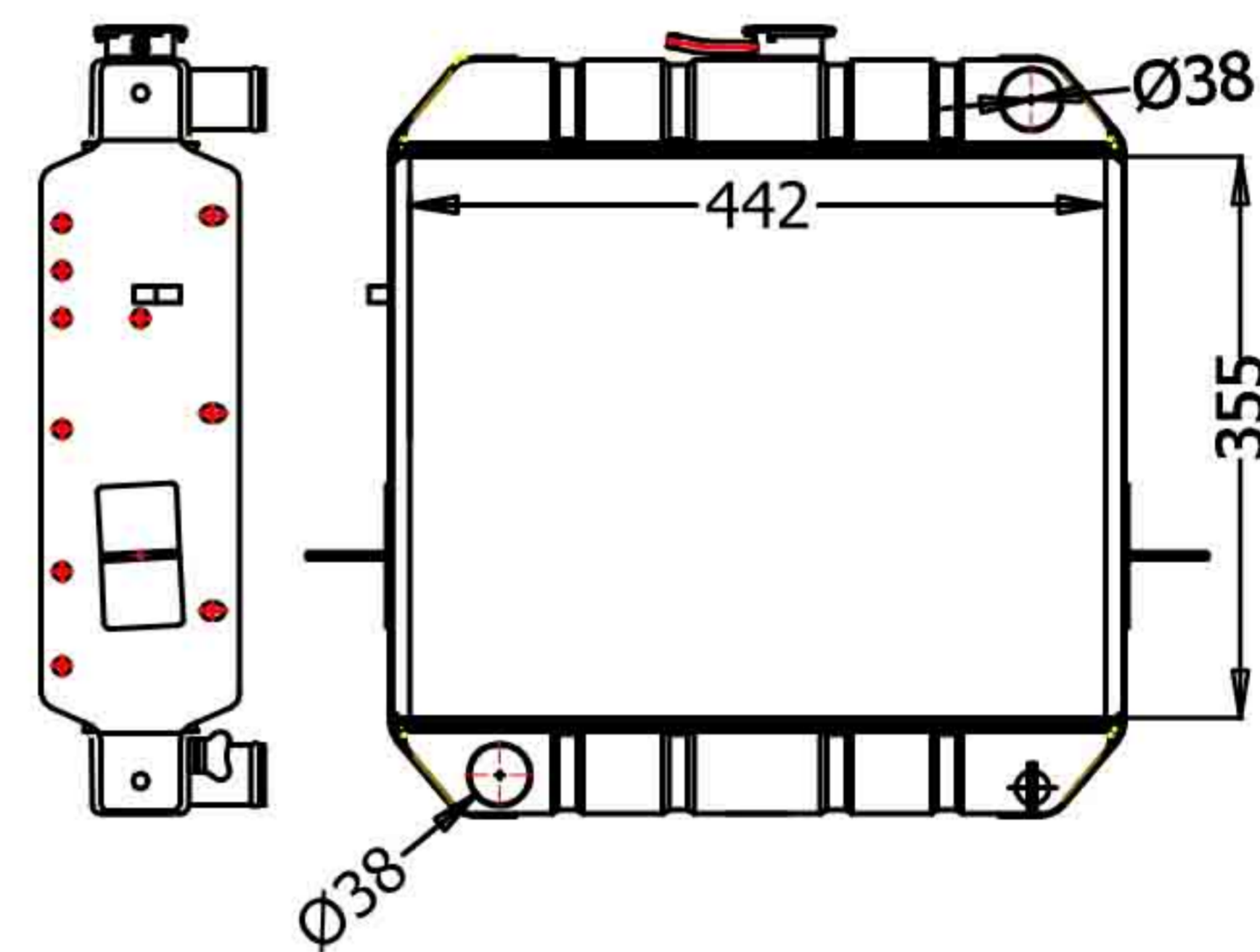
CARTYPE: TRACTOR190(拖拉机190) MT  
 CORE SIZE: BC 215x288x70 TANK SIZE: 305\*100  
 CARTON:  
 OEM:  
 DPI:

TR-23009



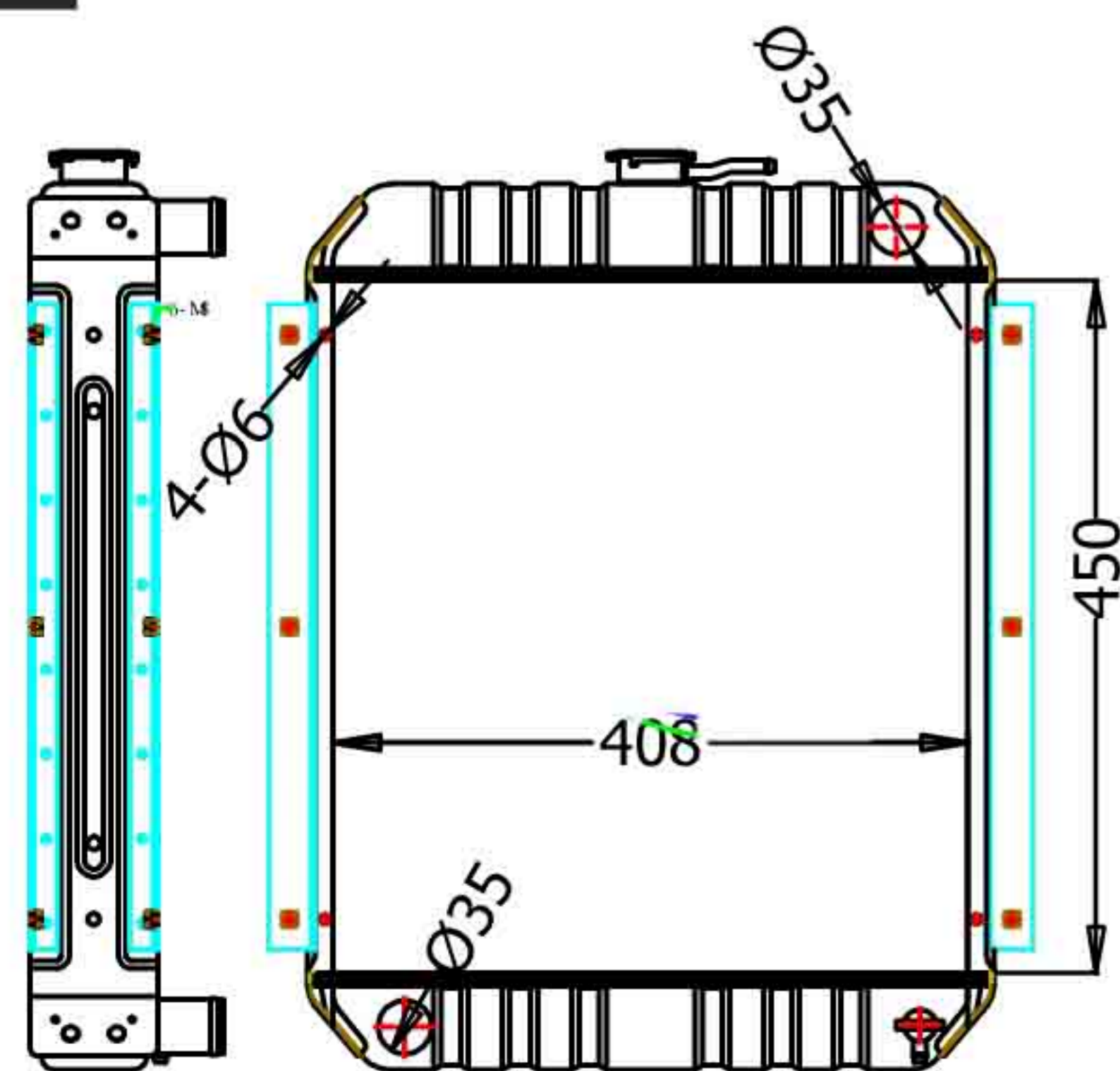
CARTYPE: HENG YANG 4100(衡阳4100) MT  
 CORE SIZE: BC 340x508x49 TANK SIZE: 535\*65  
 CARTON:  
 OEM:  
 DPI:

TR-23010



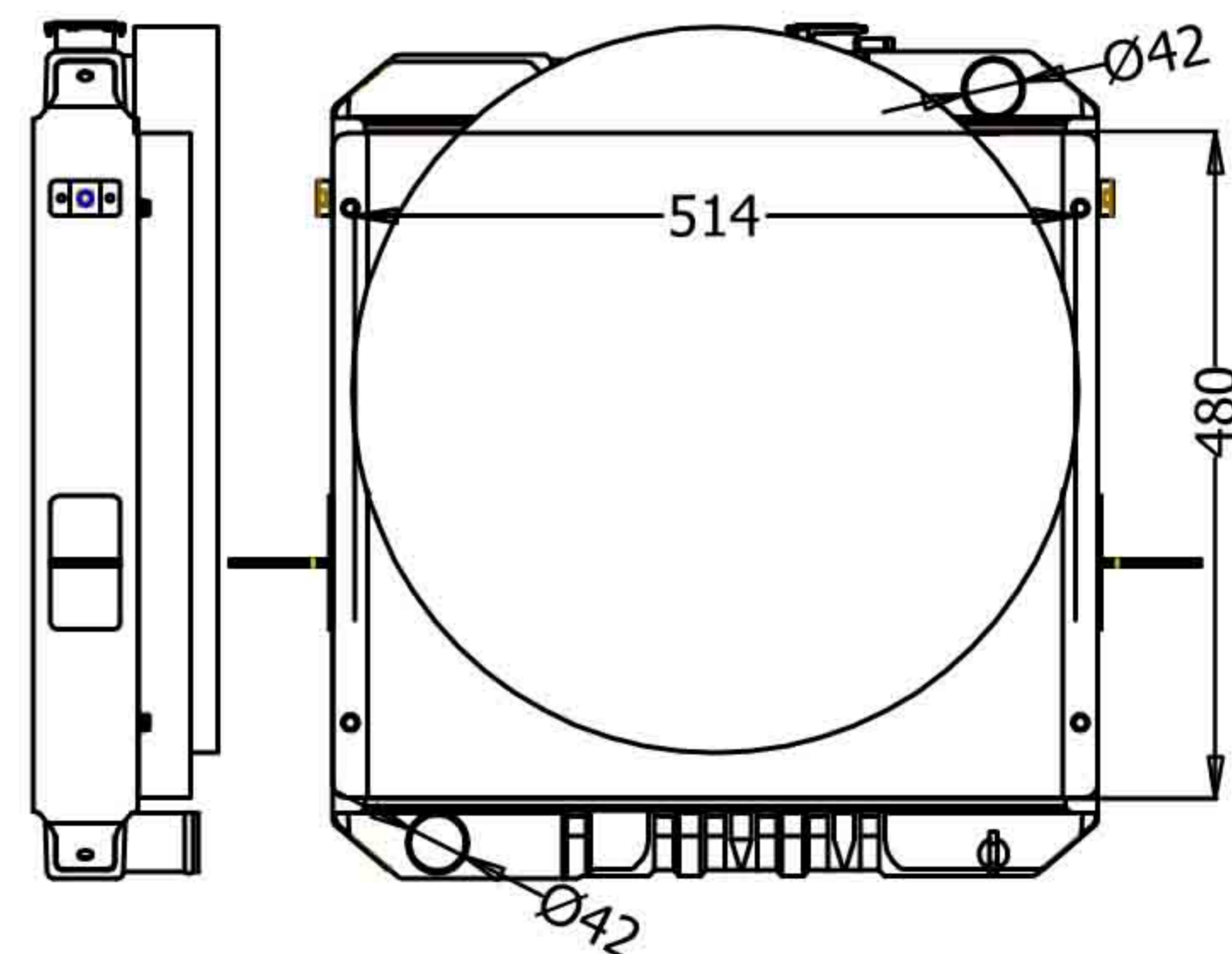
CARTYPE: THE CHAI 408(全柴408) MT  
 CORE SIZE: BC 355\*442\*49 TANK SIZE: 453\*69  
 CARTON:  
 OEM:  
 DPI:

TR-23011



CARTYPE: FARM MACHINERY(农机水箱带风罩) MT  
 CORE SIZE: BC 450\*408\*64 TANK SIZE: 435\*77  
 CARTON:  
 OEM:  
 DPI:

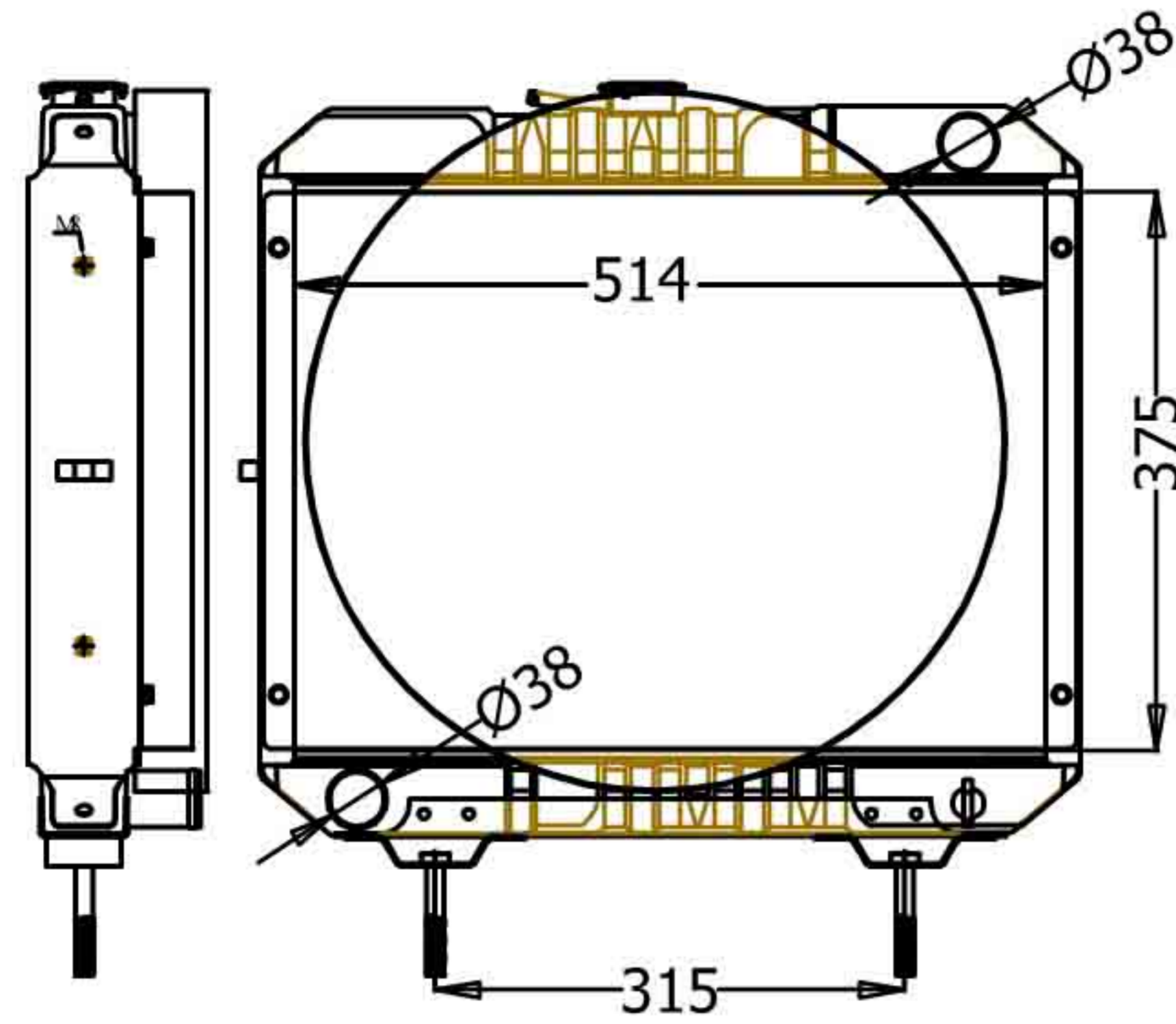
TR-23012



CARTYPE: HENG YANG4102(衡阳4102) / 云内 MT  
 CORE SIZE: BC 480x514x49 TANK SIZE: 535\*65  
 CARTON:  
 OEM:  
 DPI:

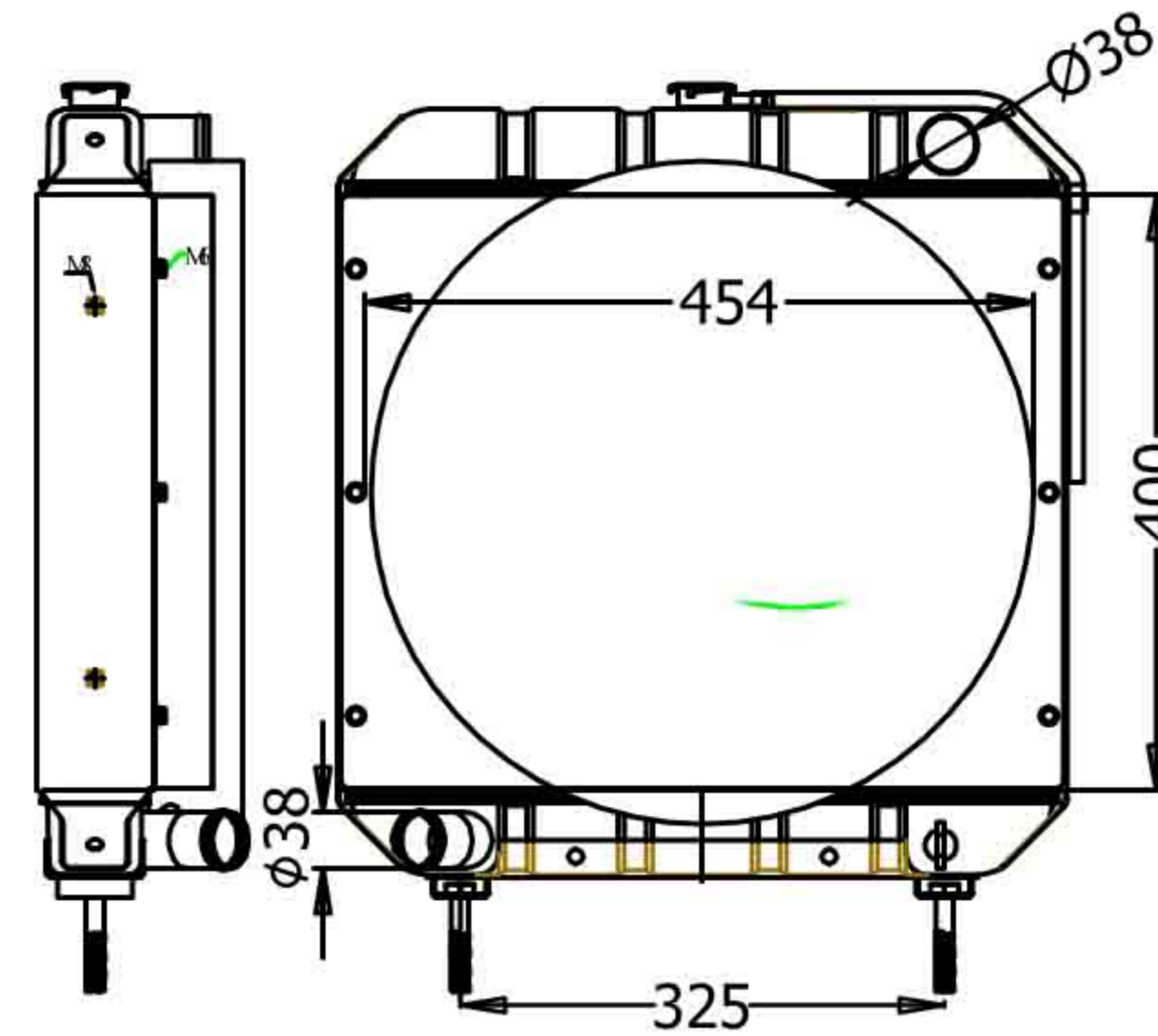
# FARM

TR-23013



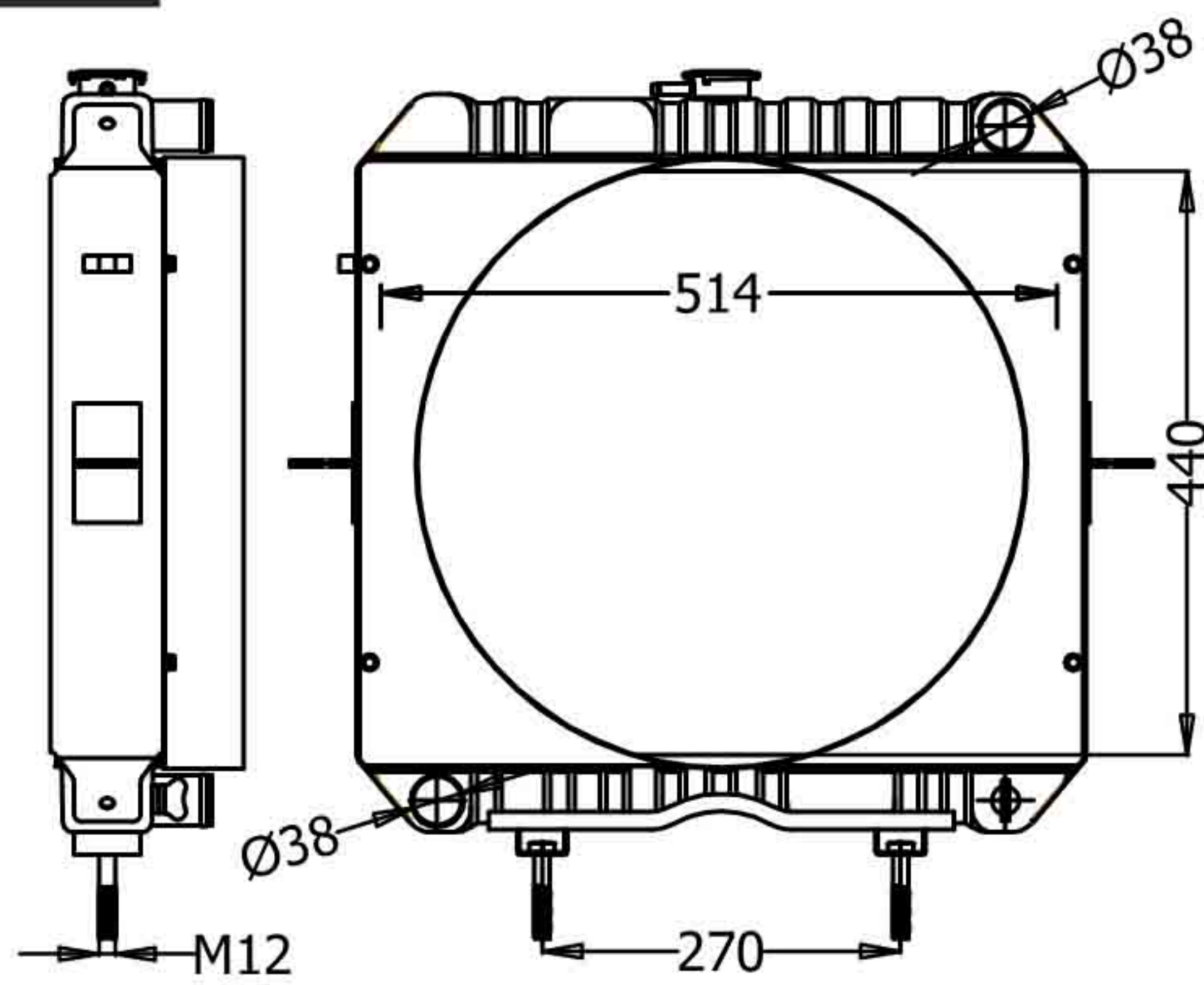
CARTYPE: HN4100 MT  
 CORE SIZE: BC 375\*514\*49 TANK SIZE: 535\*65  
 CARTON:  
 OEM:  
 DPI:

TR-23014



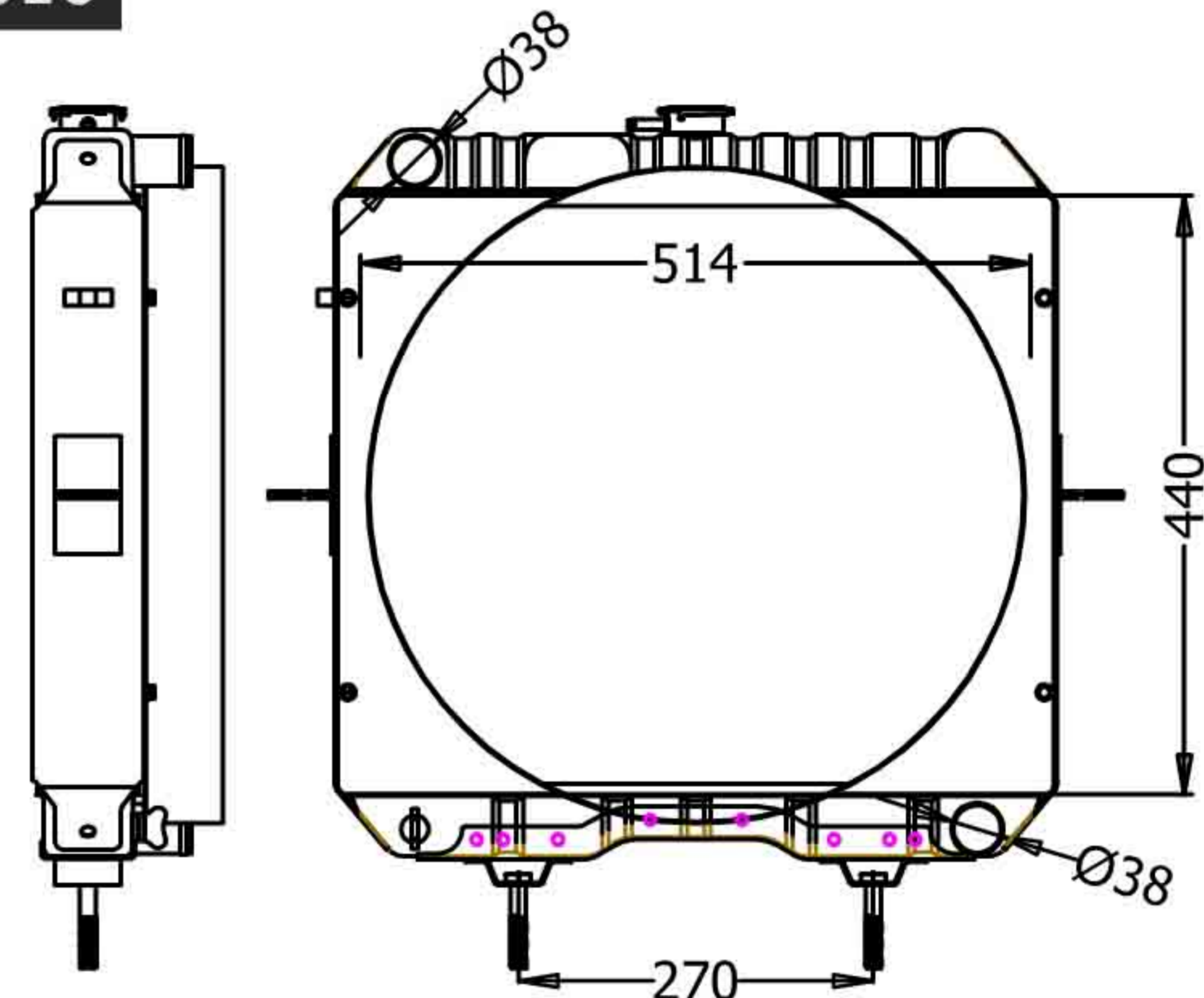
CARTYPE: ZN4100 MT  
 CORE SIZE: BC 400\*454\*49 TANK SIZE: 476\*70  
 CARTON:  
 OEM:  
 DPI:

TR-23015



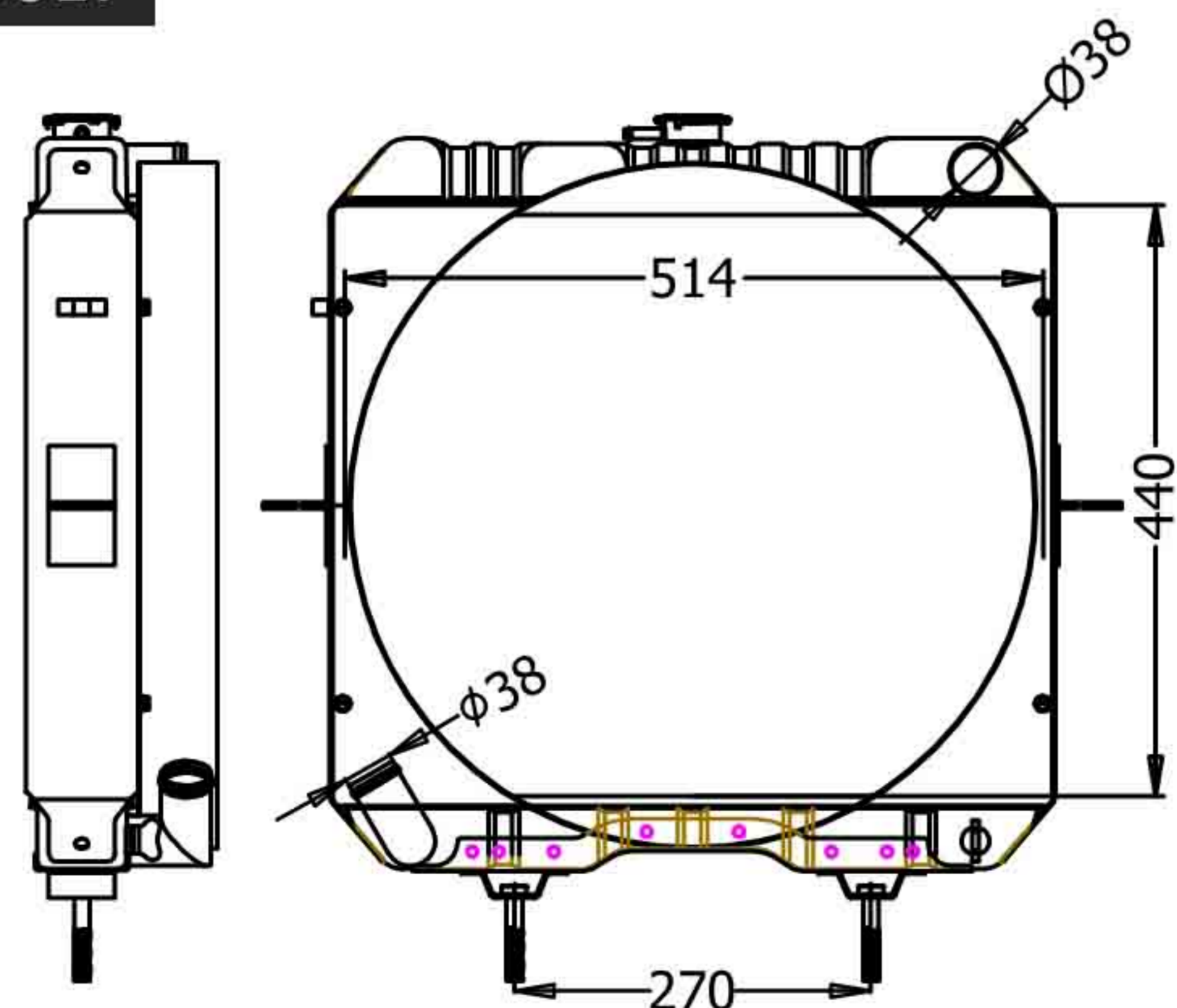
CARTYPE: FARM MACHINERY 1(农机1号) MT  
 CORE SIZE: BC 440\*514\*49 TANK SIZE: 76\*528  
 CARTON:  
 OEM:  
 DPI:

TR-23016



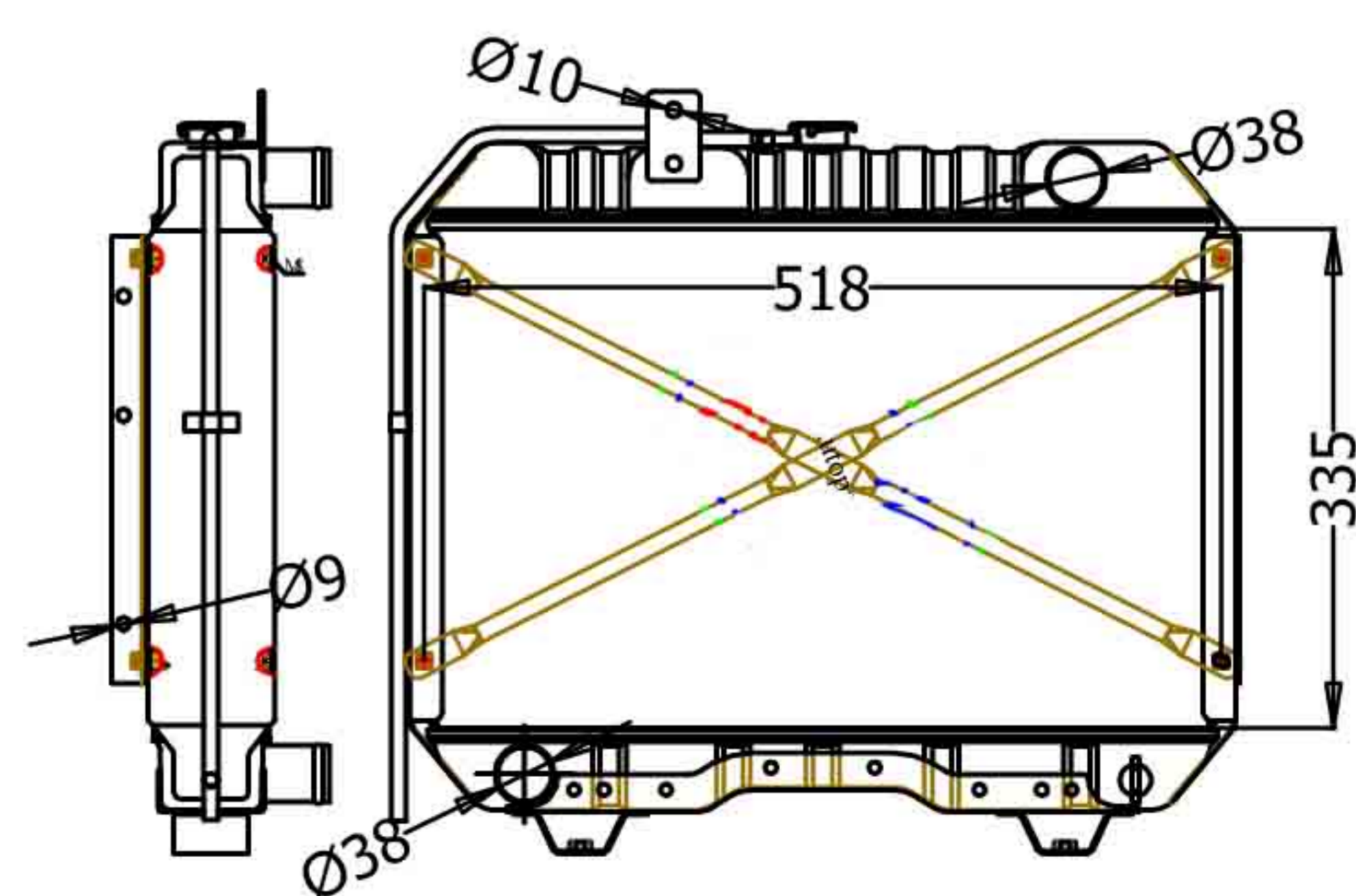
CARTYPE: FARM MACHINERY 2(农机2号) MT  
 CORE SIZE: BC 440\*514\*64 TANK SIZE: 76\*528  
 CARTON:  
 OEM:  
 DPI:

TR-23017



CARTYPE: FARM MACHINERY 3(农机3号) MT  
 CORE SIZE: BC 440\*514\*64 TANK SIZE: 76\*528  
 CARTON:  
 OEM:  
 DPI:

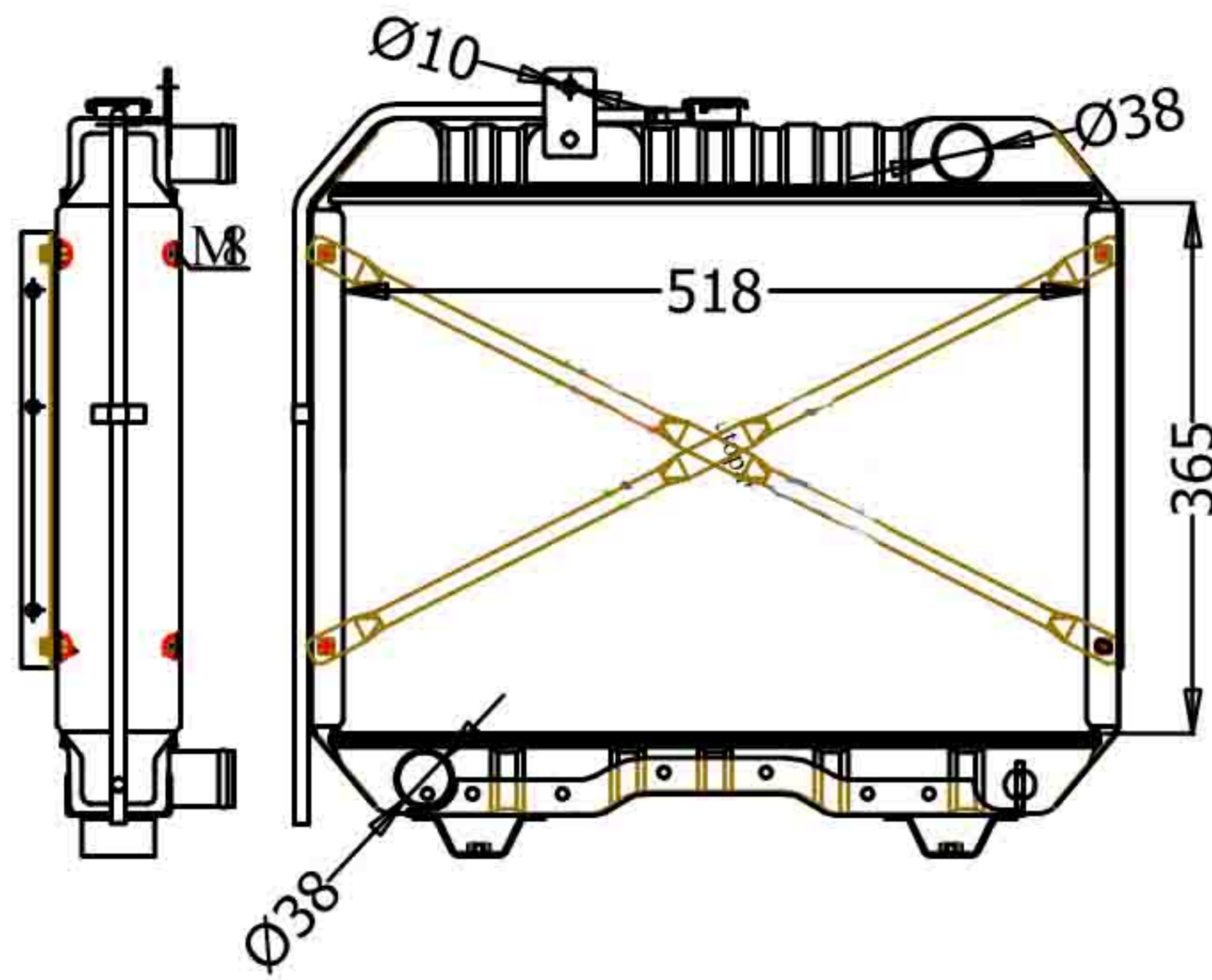
TR-23018



CARTYPE: SICHUAN NANJUN(四川南骏) MT  
 CORE SIZE: BC 335\*518\*49 TANK SIZE: 528\*76  
 CARTON:  
 OEM:  
 DPI:

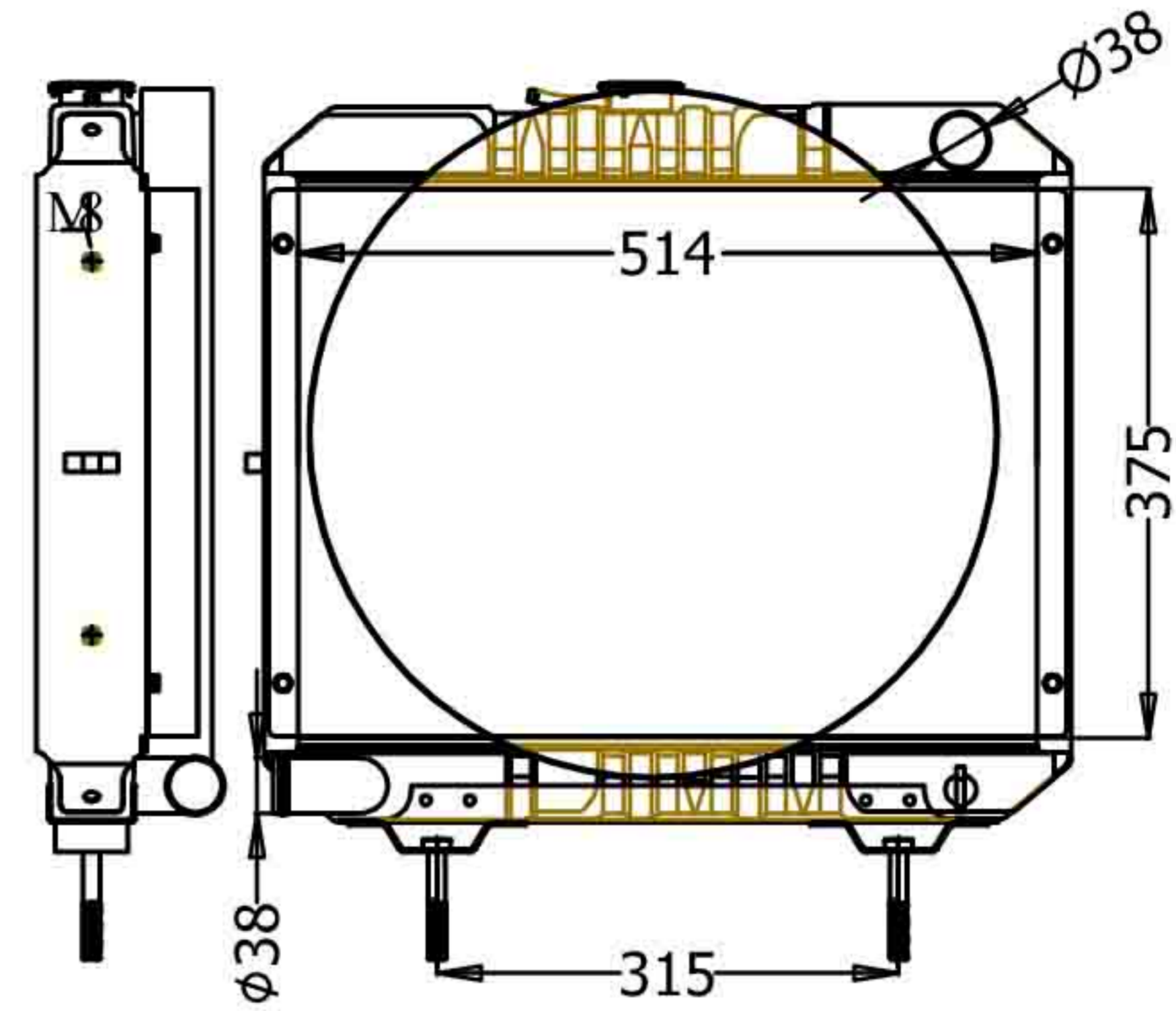
# FARM

TR-23019



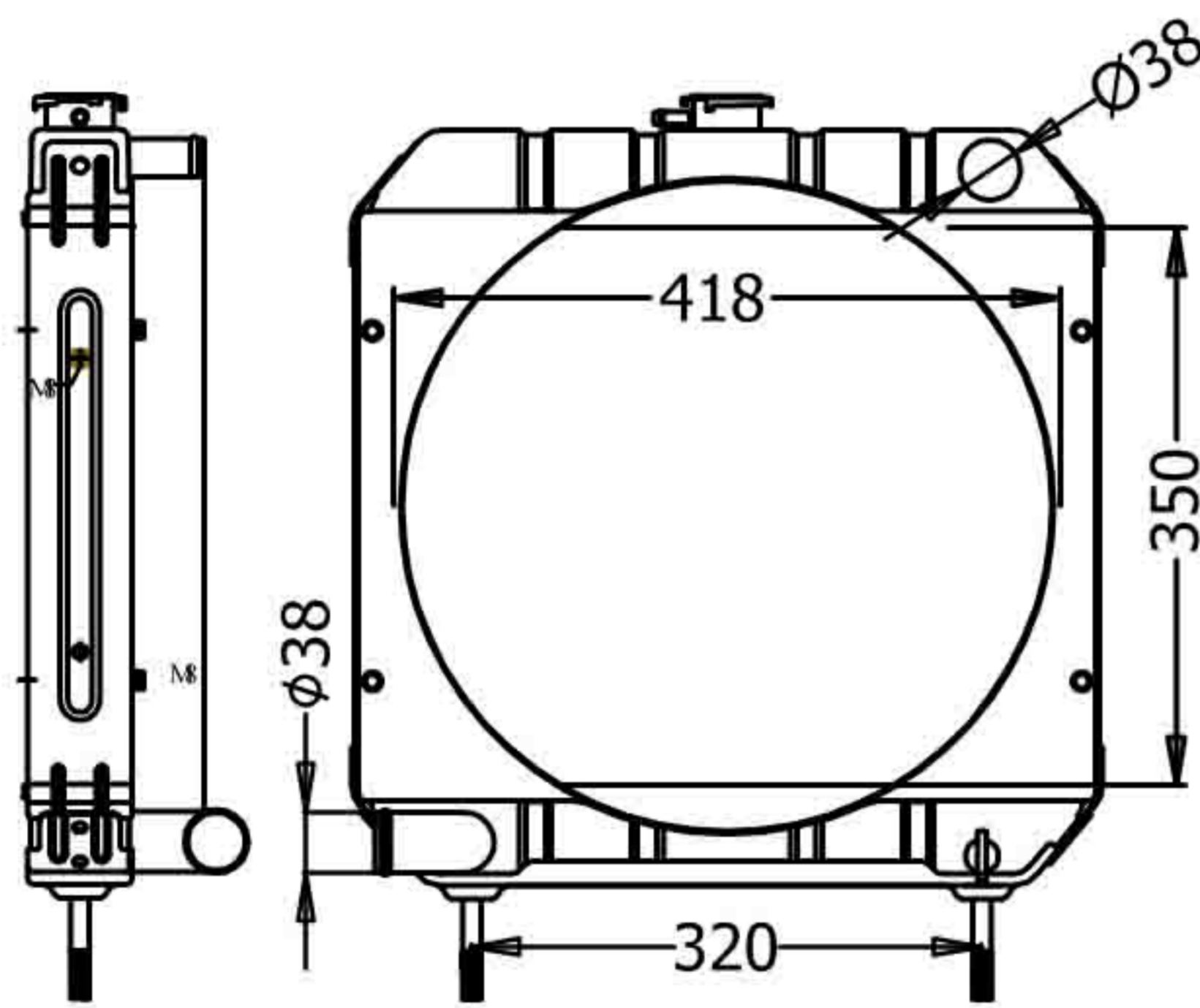
CARTYPE: 365 CORE HIGH SICHUAN NANJUN  
(365芯高四川南骏) MT  
CORE SIZE: BC 365\*518\*49 TANK SIZE: 528\*76  
CARTON:  
OEM:  
DPI:

TR-23020



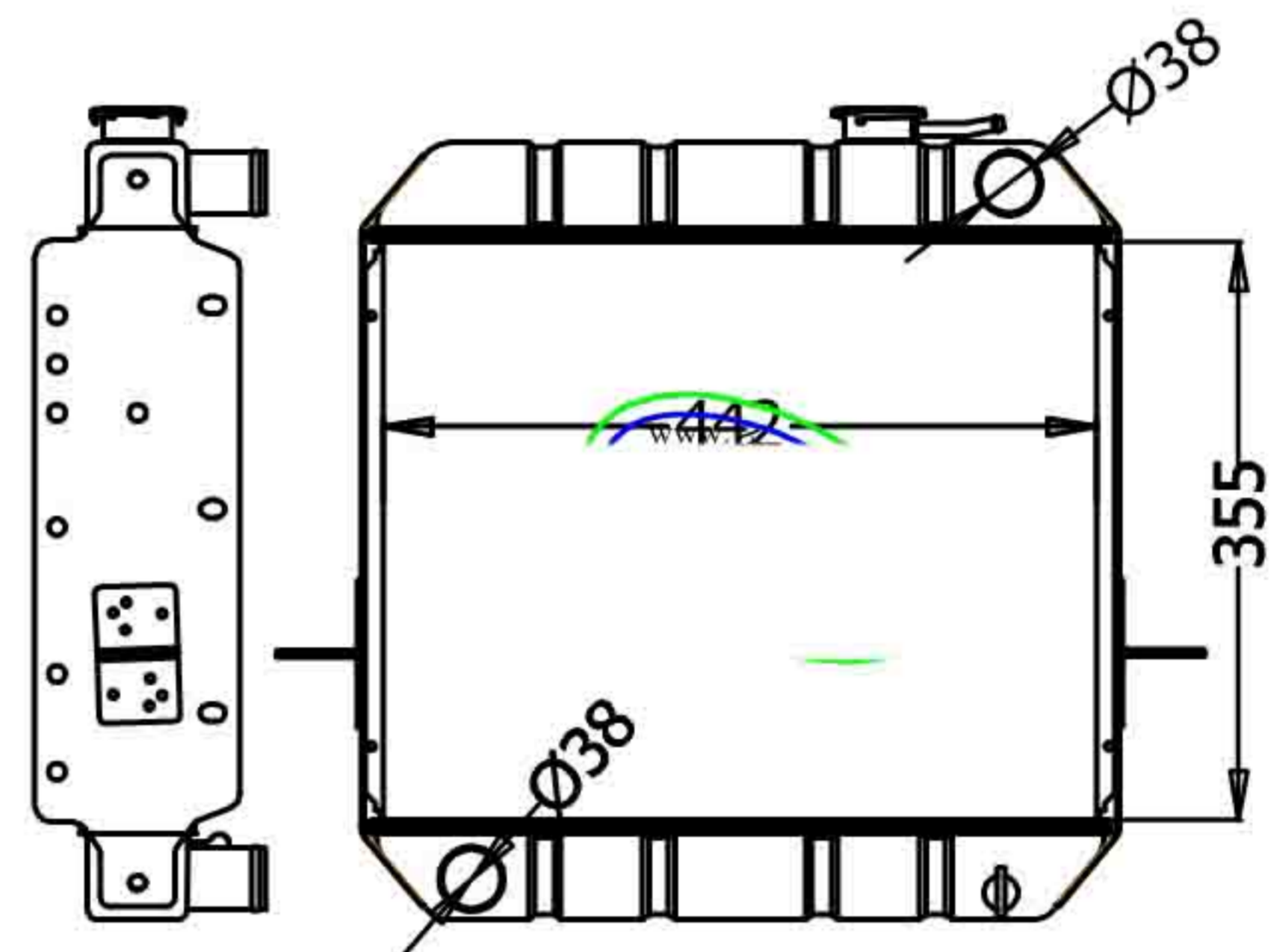
CARTYPE: NEW HN4100 (新款HN4100) MT  
CORE SIZE: BC 375\*514\*49 TANK SIZE: 535\*65  
CARTON:  
OEM:  
DPI:

TR-23021



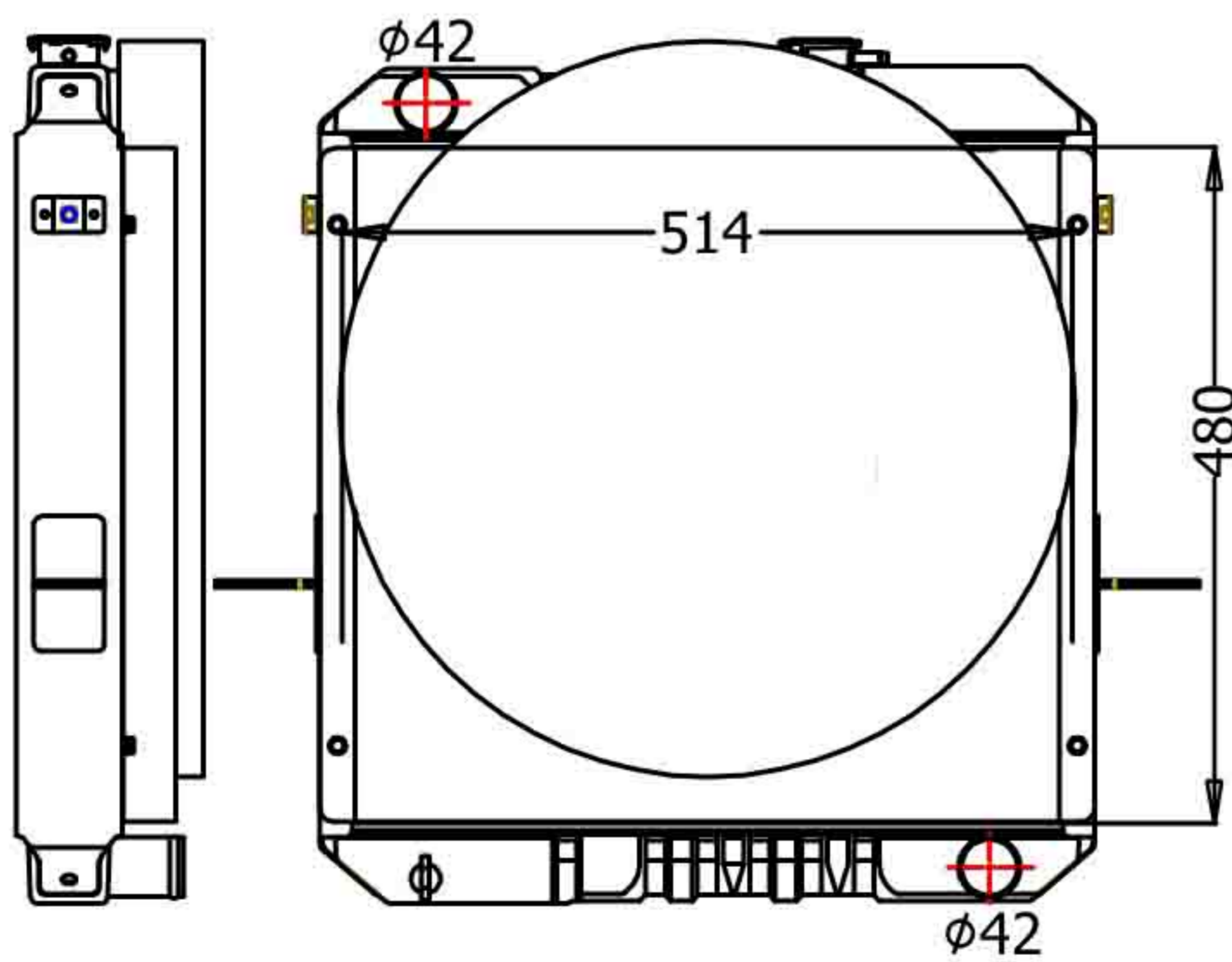
CARTYPE: NEW HENG YANG 2100 (新款衡阳2100) MT  
CORE SIZE: 350\*418\*32 TANK SIZE: 453\*69  
CARTON:  
OEM:  
DPI:

TR-23022



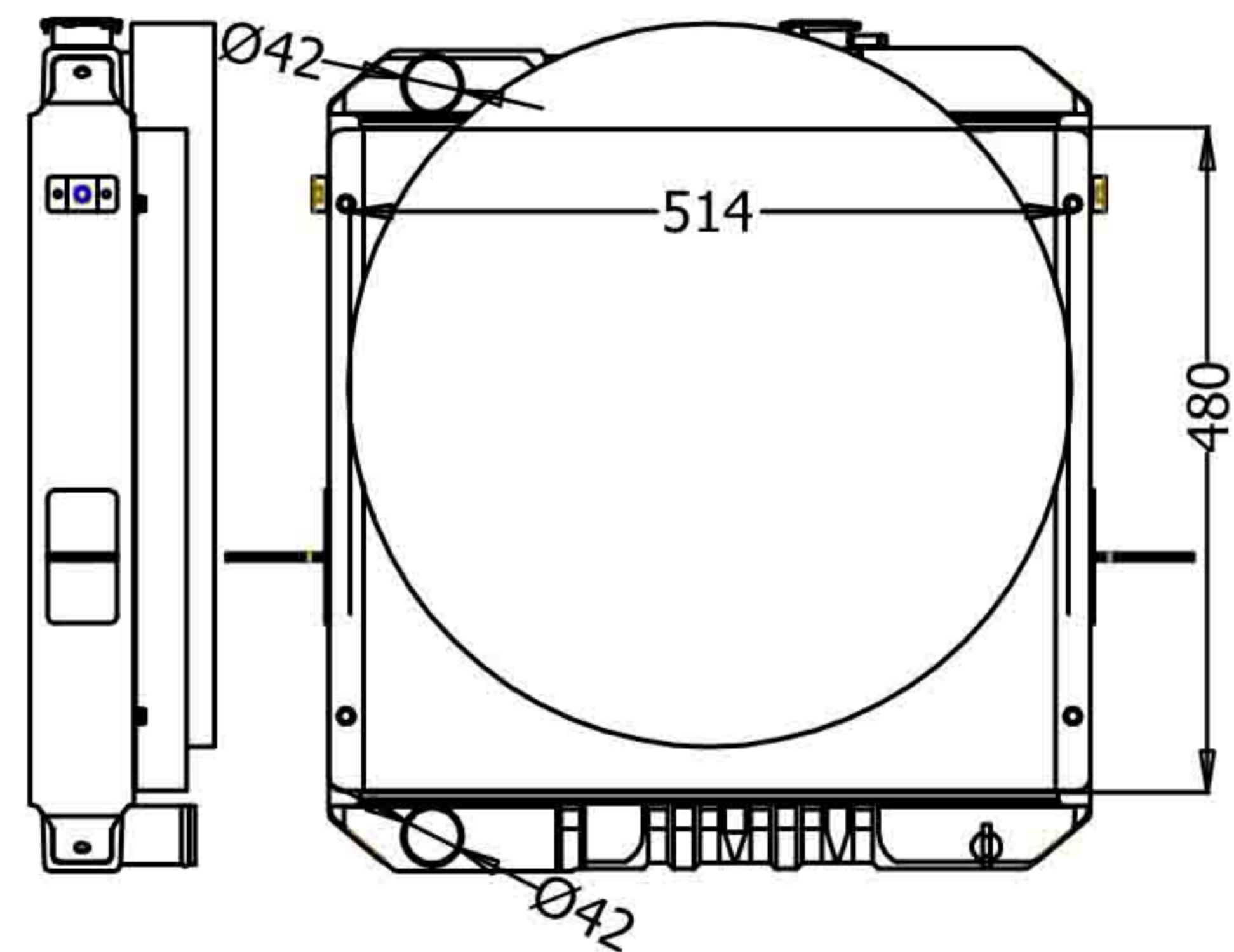
CARTYPE: REFIT QUANCHAI 480(改装全柴) MT  
CORE SIZE: BC 355\*442\*49 TANK SIZE: 453\*69  
CARTON:  
OEM:  
DPI:

TR-23023



CARTYPE: HENG YANG4102(衡阳4102)/云内 MT  
CORE SIZE: BC 480x514x49 TANK SIZE: 535\*65  
CARTON:  
OEM:  
DPI:

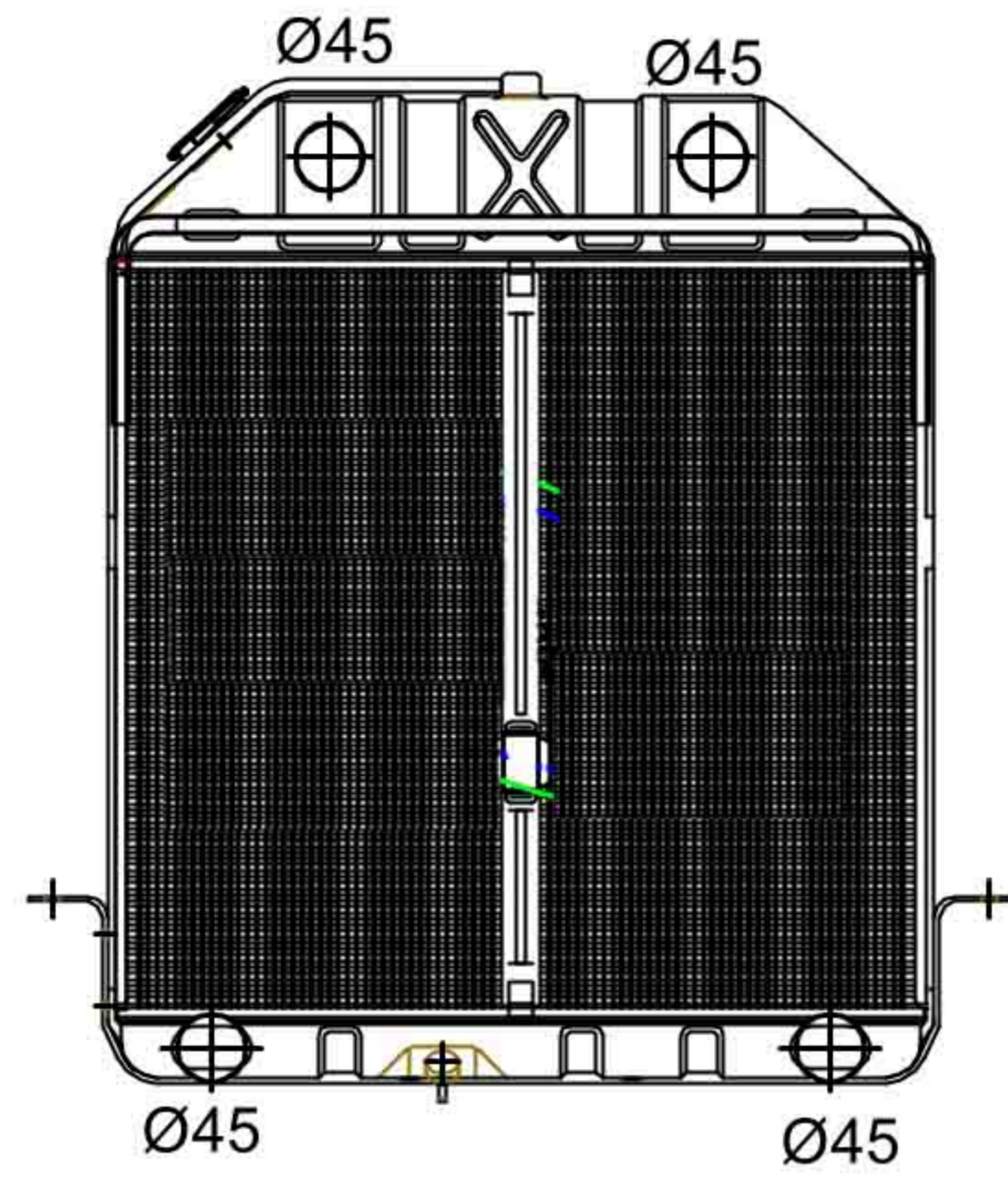
TR-23024



CARTYPE: HENG YANG4102 MT  
CORE SIZE: BC 480x514x49 TANK SIZE: 535\*65  
CARTON:  
OEM:  
DPI:

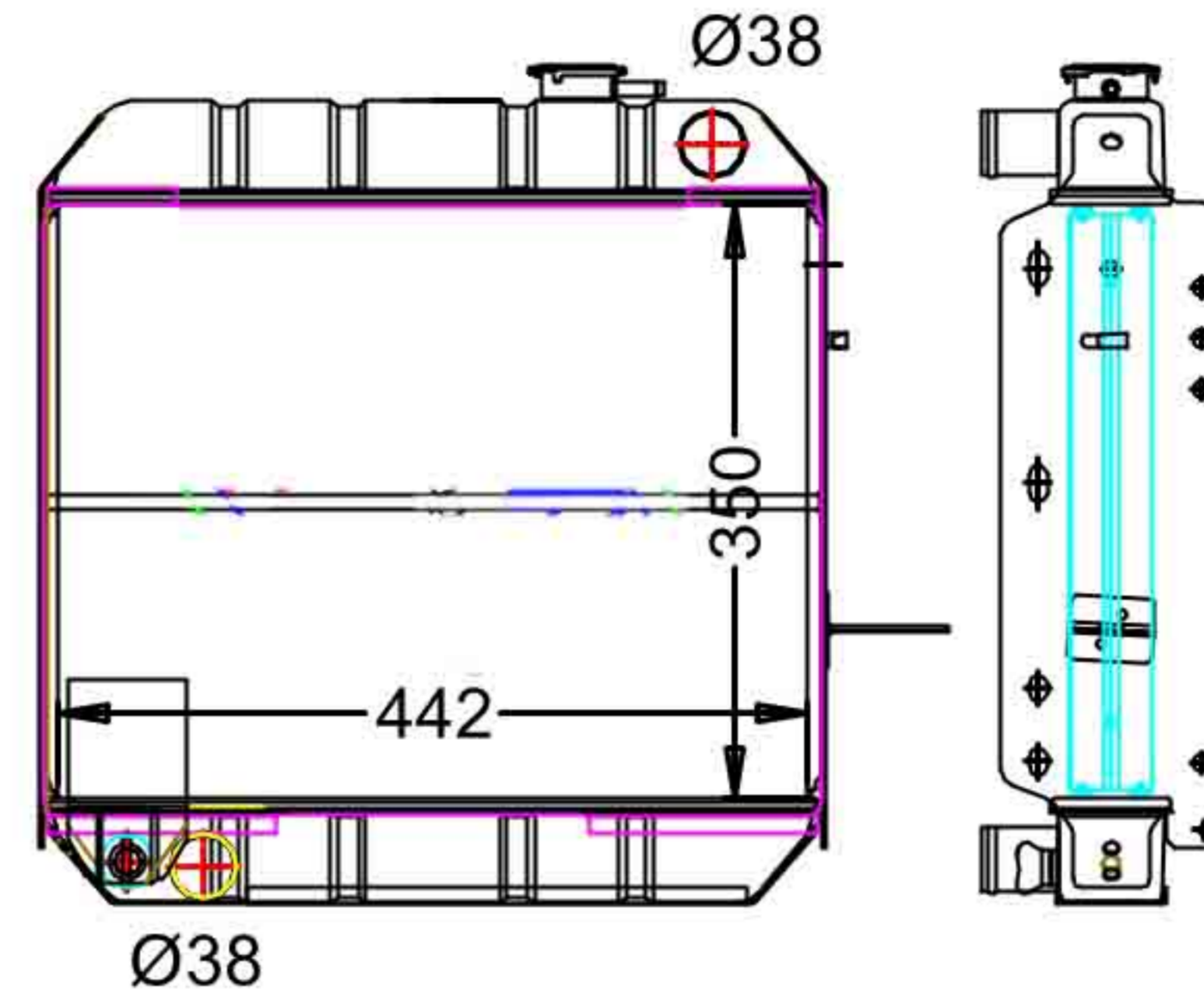
# FARM

TR-23025



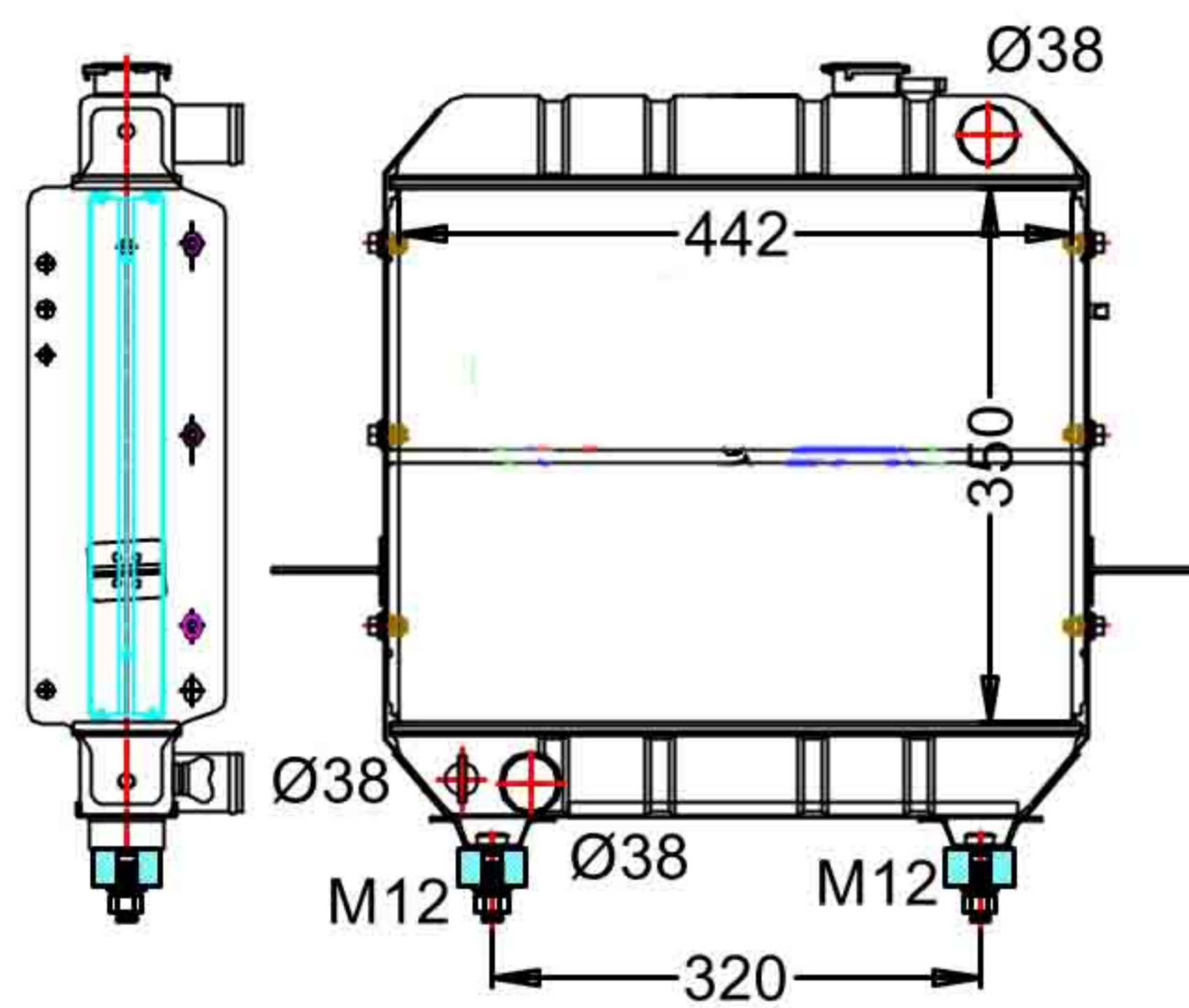
CARTYPE : MT  
 CORE SIZE : BC : 490x504x70 TANK SIZE : 535\*75  
 CARTON:  
 OEM :  
 DPI :

TR-23026



CARTYPE :  
 CORE SIZE : BC : 350\*442\*49 TANK SIZE : 453\*69  
 CARTON:  
 OEM :  
 DPI :

TR-23027



CARTYPE :  
 CORE SIZE : BC : 350\*442\*49 TANK SIZE : 453\*69  
 CARTON:  
 OEM :  
 DPI :

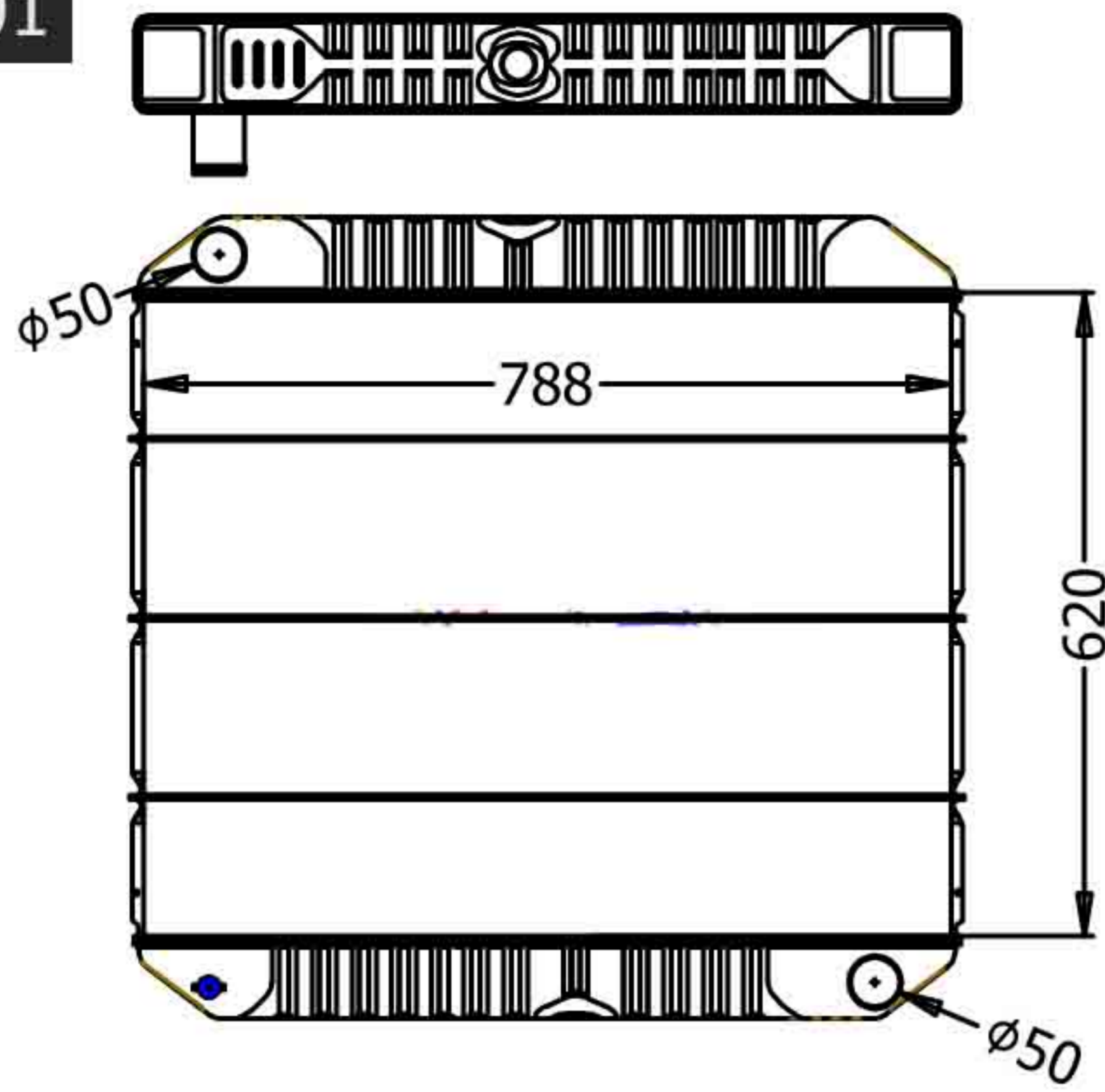
TR-23028

TR-23029

TR-23030

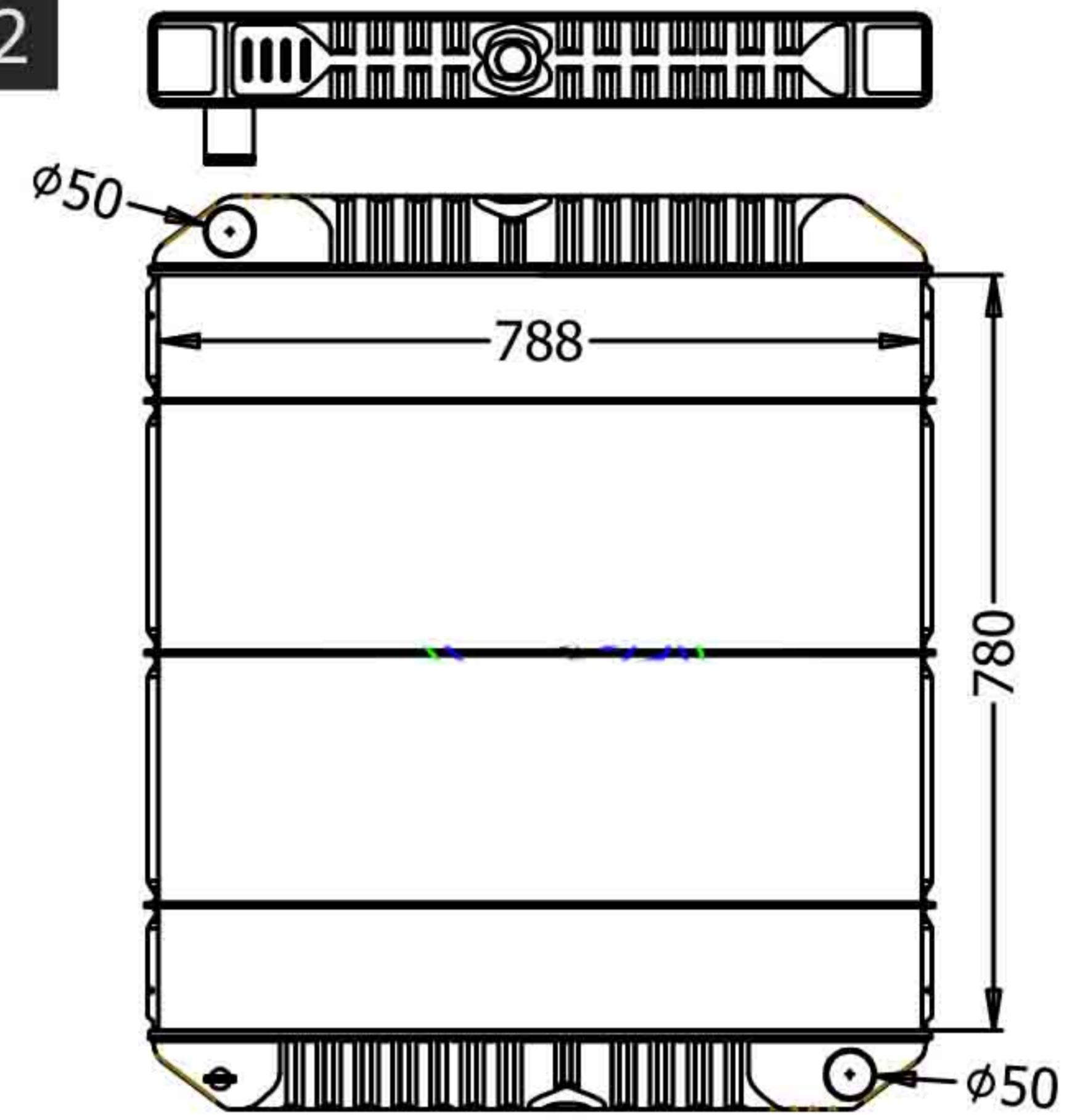
# BUS

**BUS-51001**



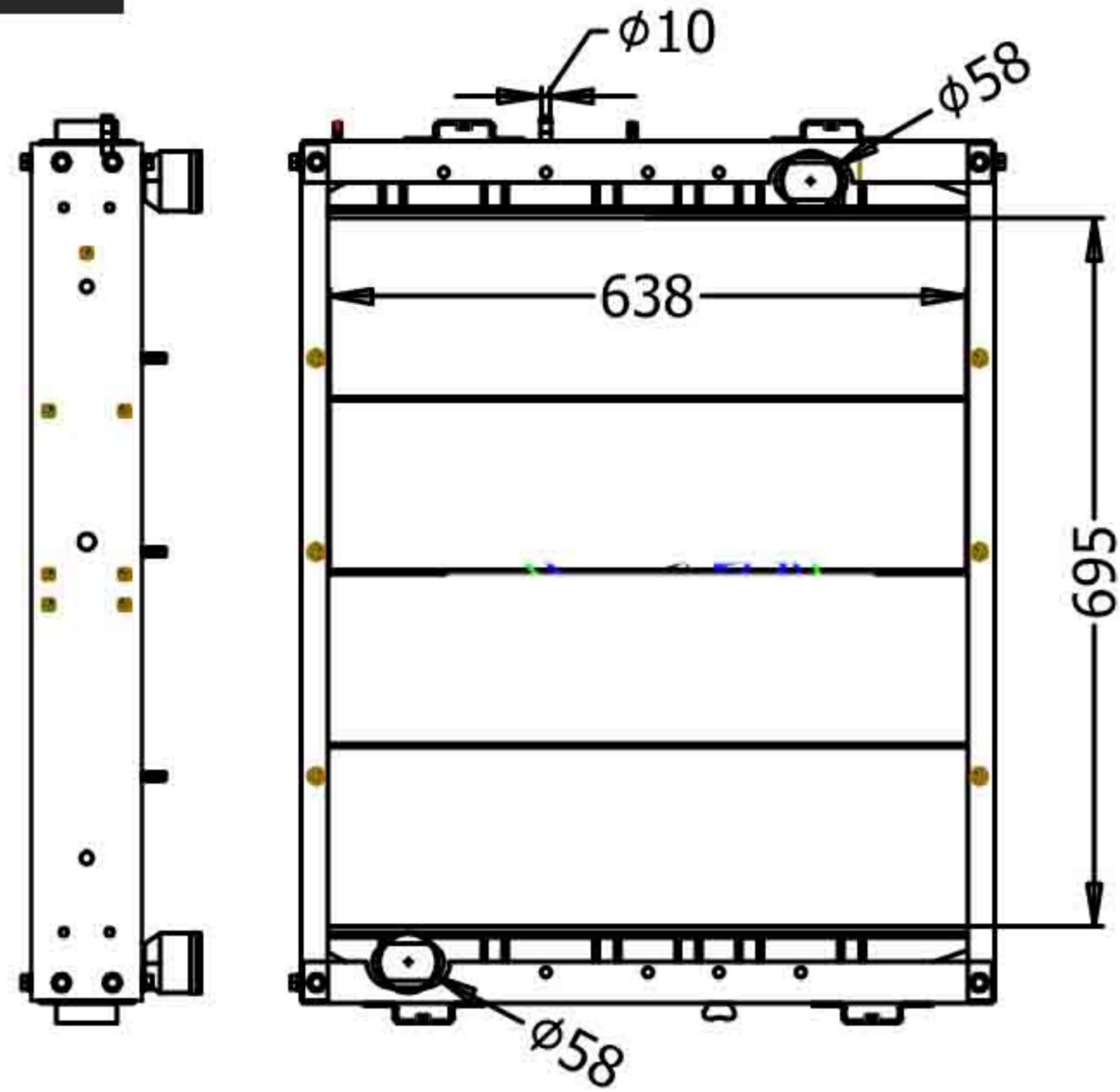
CARTYPE: G4R BUS (大巴) MT  
 CORE SIZE: BC 620x788x64 TANK SIZE: 805\*95  
 CARTON:  
 OEM:  
 DPI:

**BUS-51002**



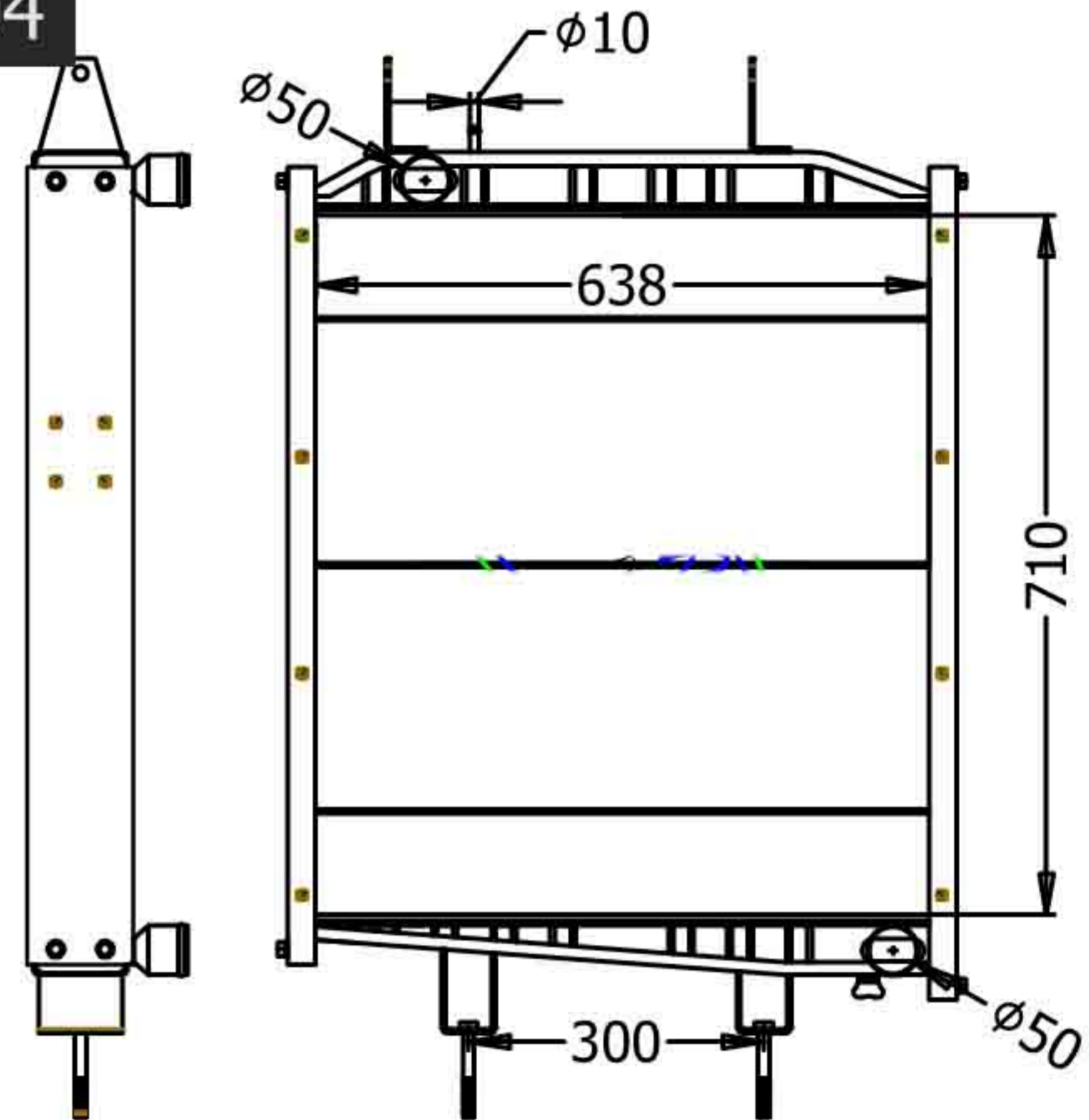
CARTYPE: BUS (大巴) MT  
 CORE SIZE: BC 780x788x64 TANK SIZE: 805\*95  
 CARTON:  
 OEM:  
 DPI:

**BUS-51003**



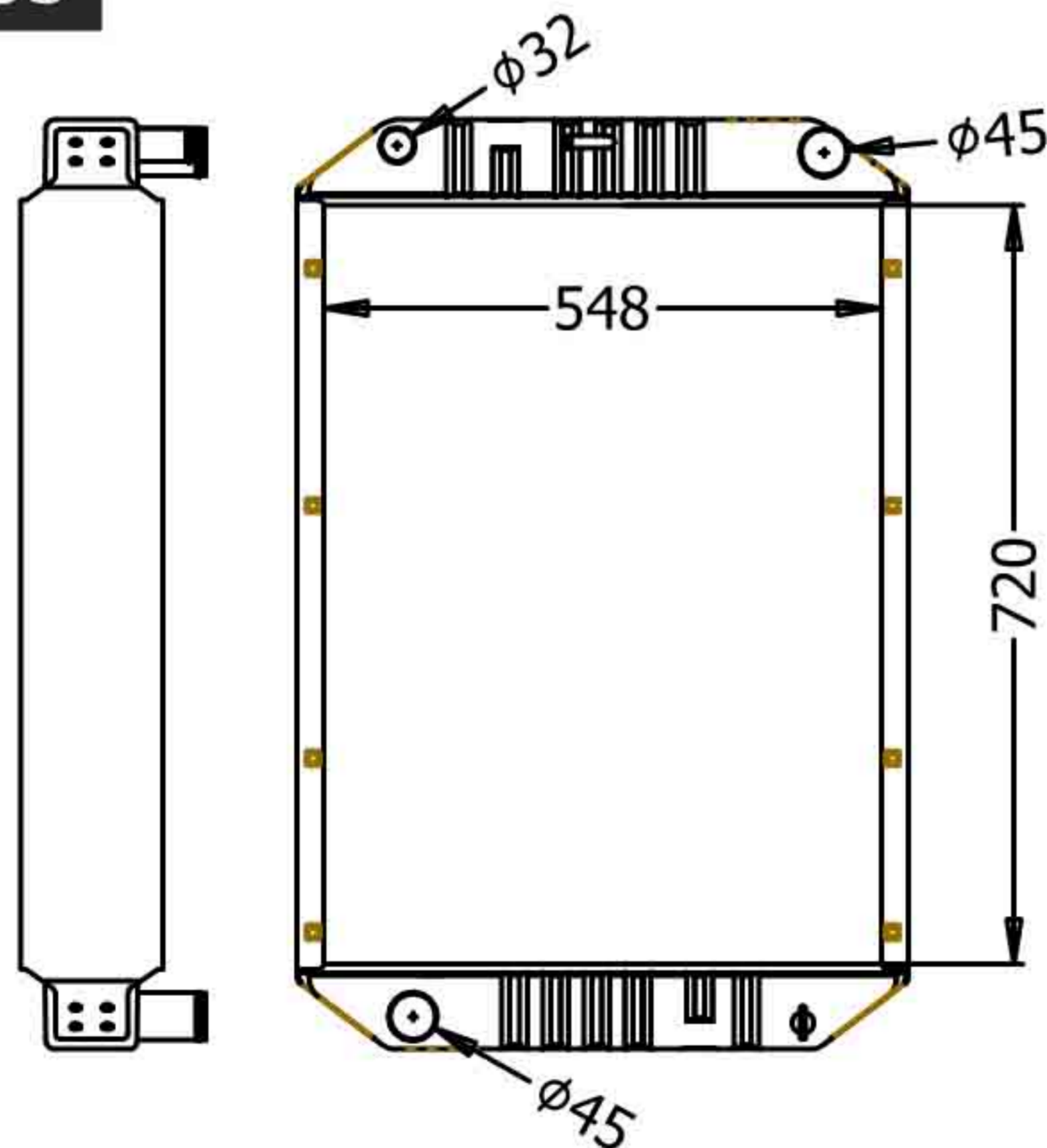
CARTYPE: JINLONG BUS (金龙客车) MT  
 CORE SIZE: BC 695x638x81 TANK SIZE: 662\*100  
 CARTON:  
 OEM:  
 DPI:

**BUS-51004**



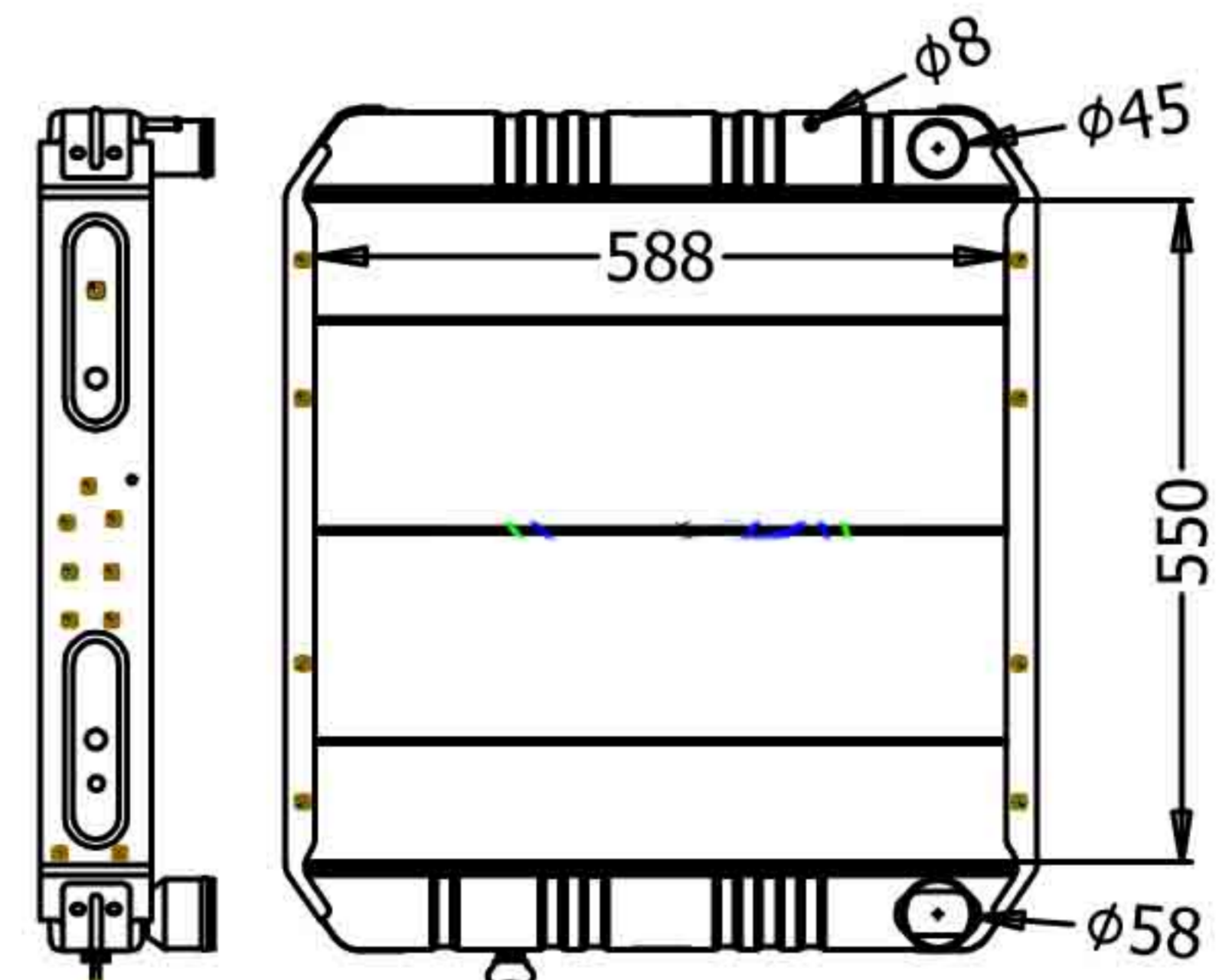
CARTYPE: THE NEW BUS (新通客车) MT  
 CORE SIZE: BC 710x638x81 TANK SIZE: 662\*100  
 CARTON:  
 OEM:  
 DPI:

**BUS-51005**



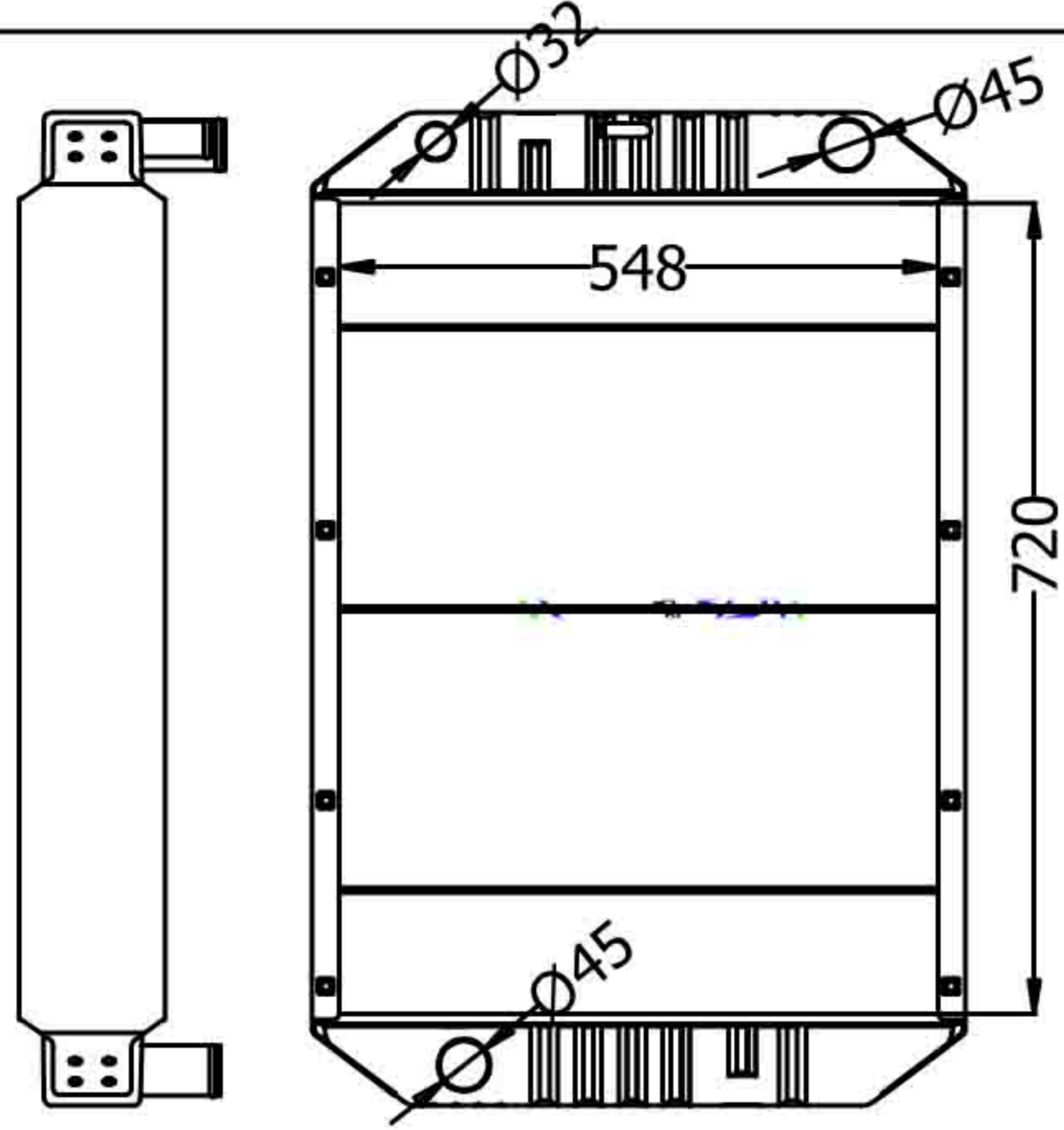
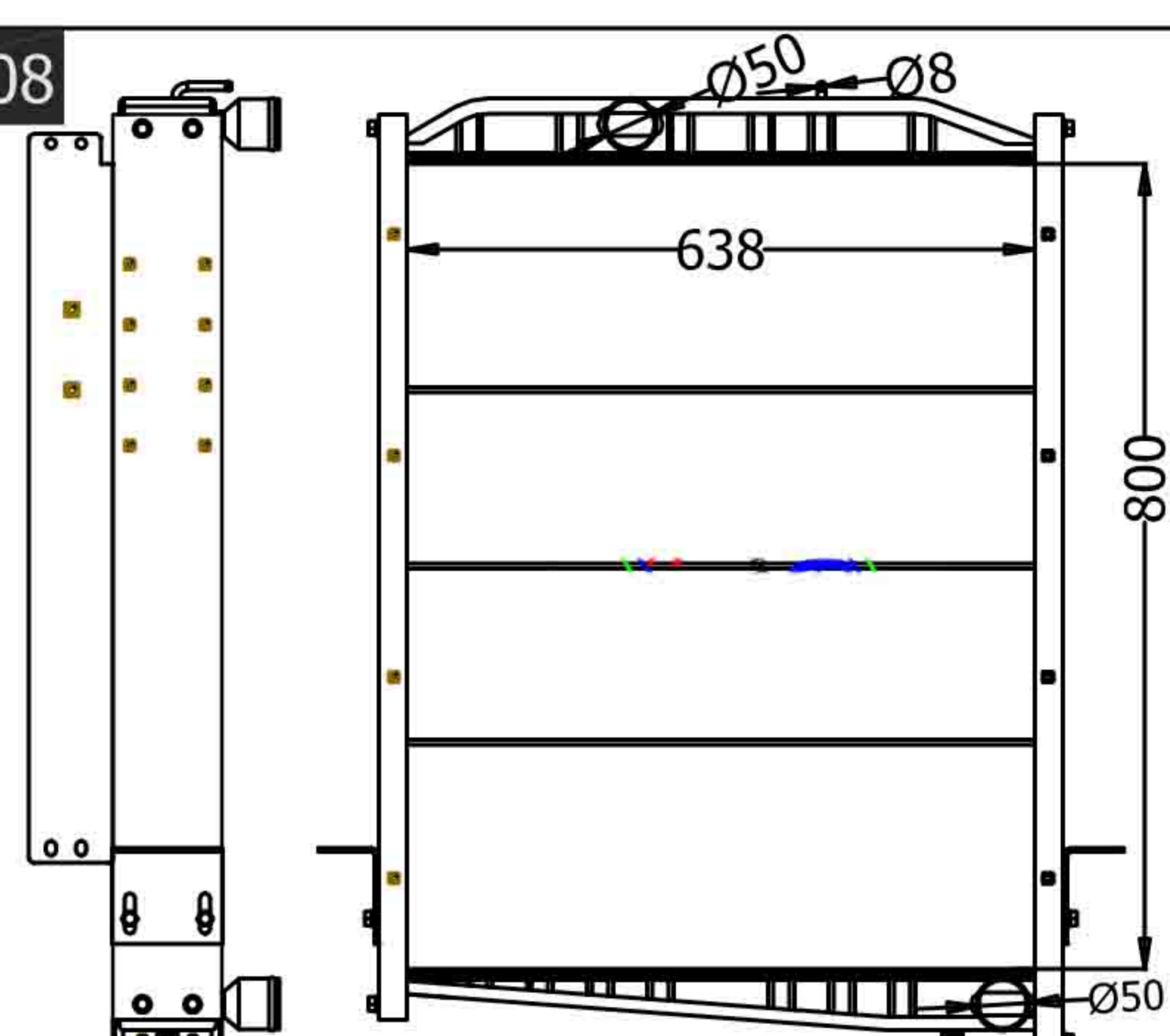
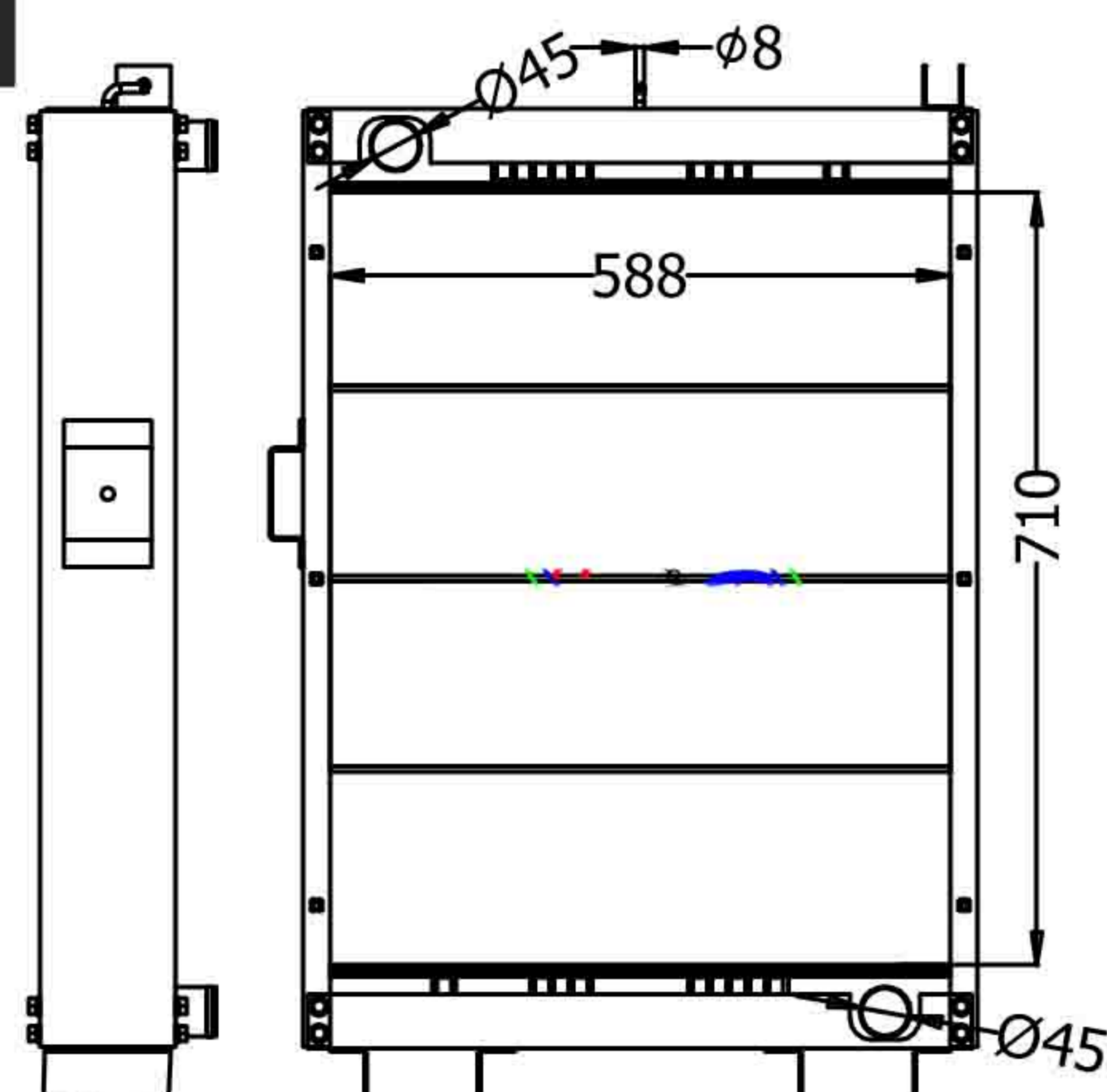
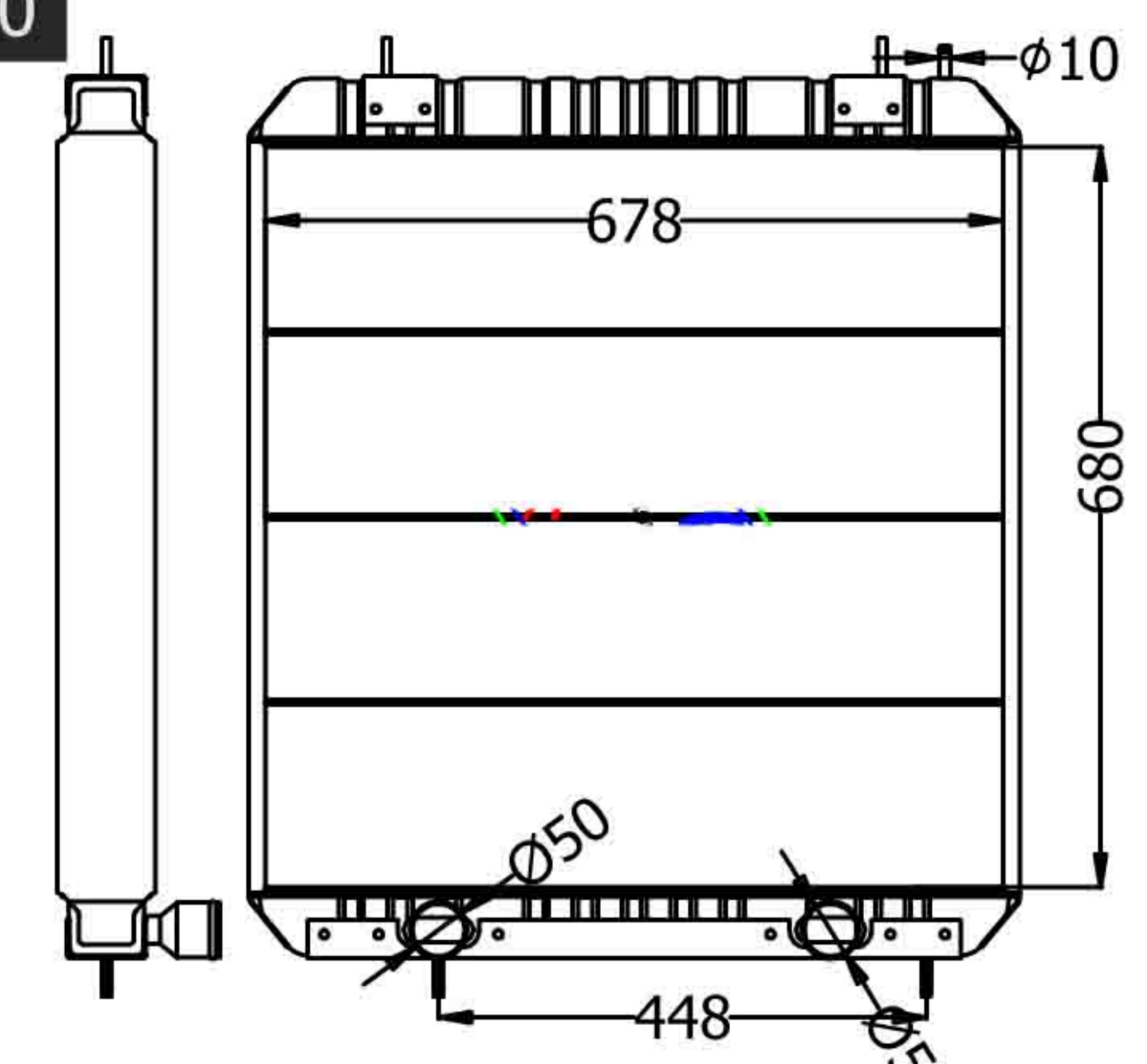
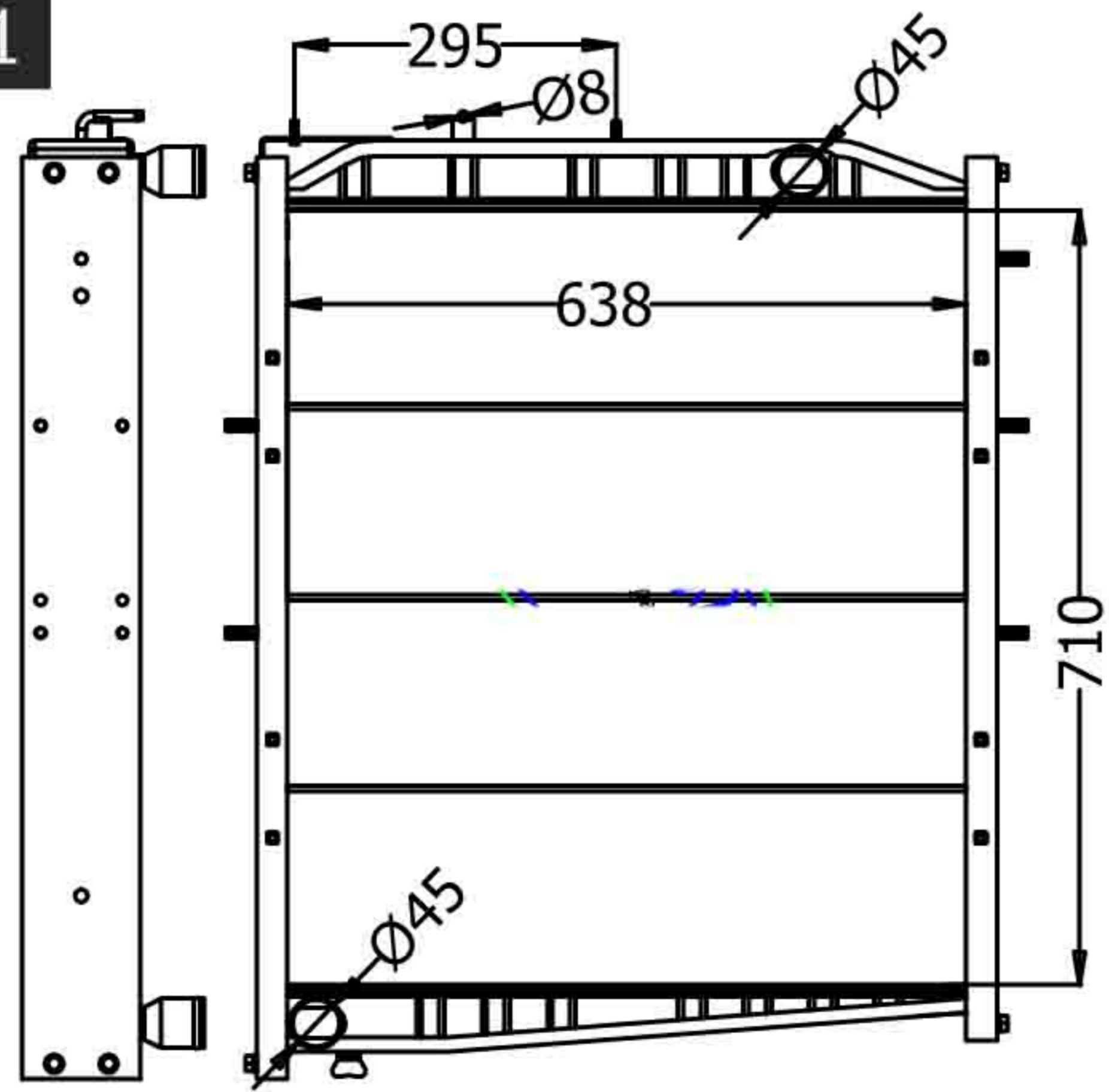
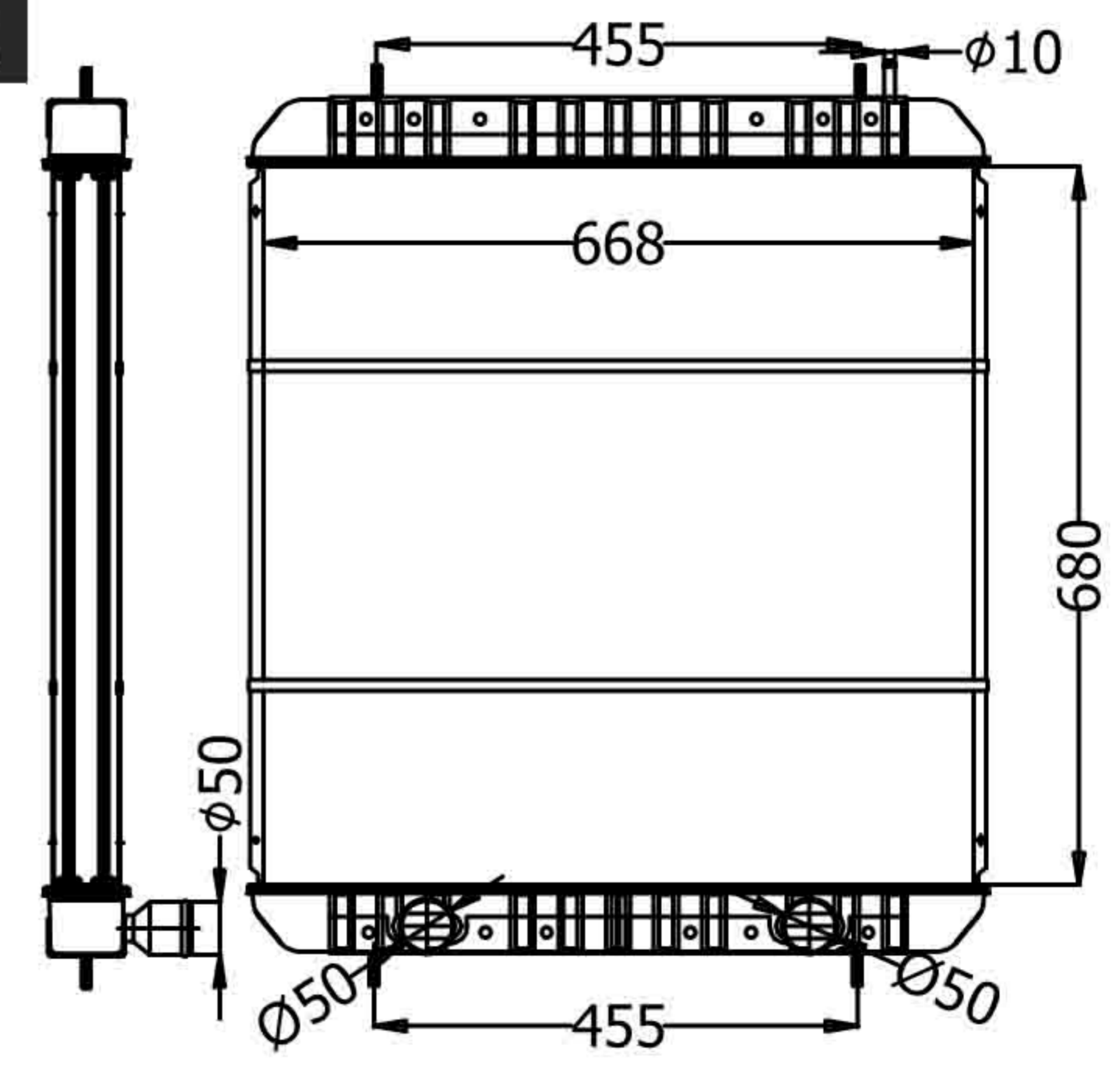
CARTYPE: CUMMINGS BUS (康明斯大巴) MT  
 CORE SIZE: BC 720x548x81 TANK SIZE: 565\*95  
 CARTON:  
 OEM:  
 DPI:

**BUS-51006**



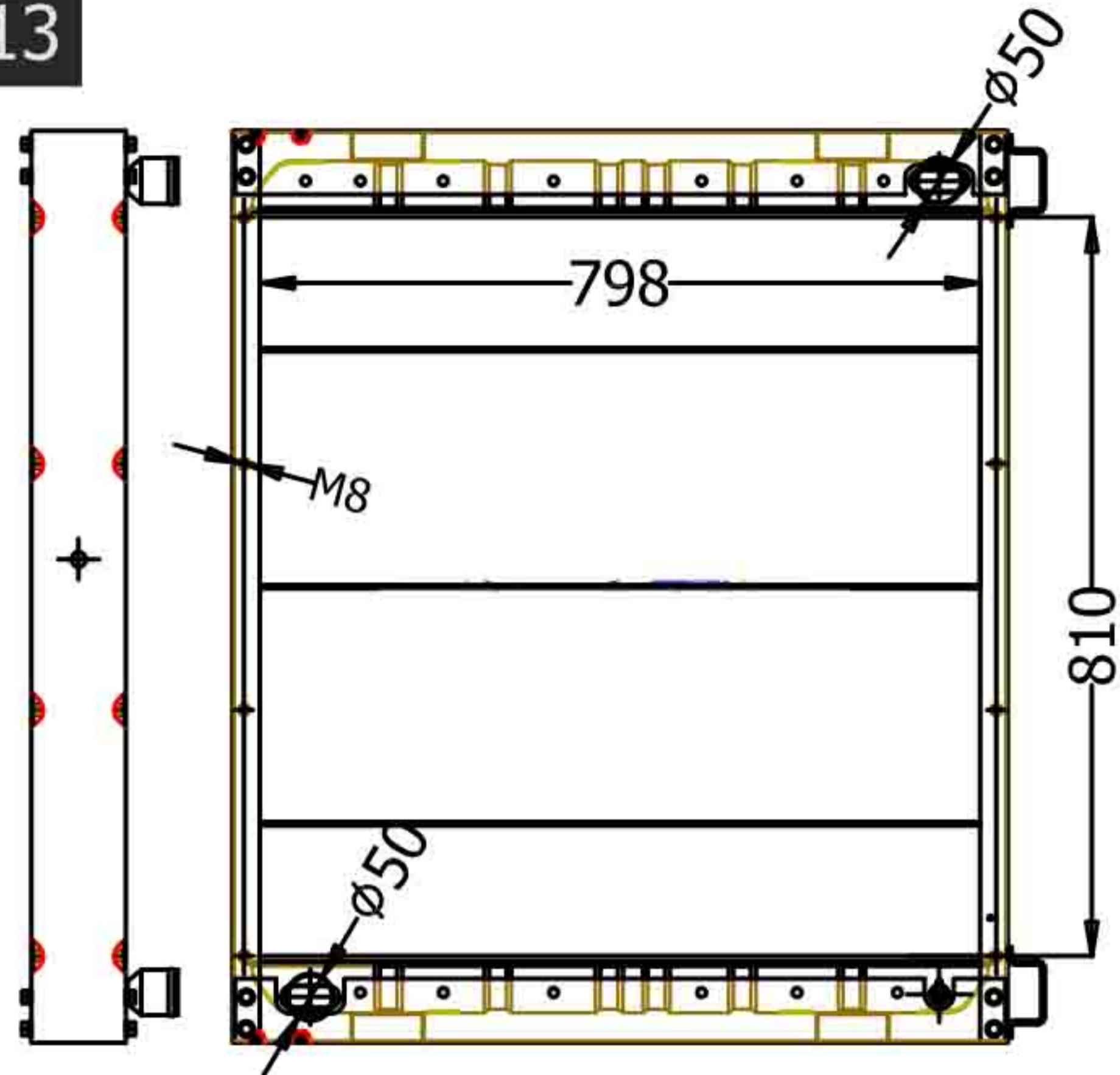
CARTYPE: XIAMEN JINLONG BUS (厦门金龙客车) MT  
 CORE SIZE: BC 550x588x64 TANK SIZE: 610\*85  
 CARTON:  
 OEM:  
 DPI:

# BUS

<p><b>BUS-51007</b></p> 	<p><b>BUS-51008</b></p> 
<p>CARTYPE: CUMMINGS BUS(康明斯大巴) MT            CORE SIZE: BC 720x548x81 TANK SIZE: 565*95            CARTON:            OEM:            DPI:</p>	<p>CARTYPE: STEYR(斯太尔) MT            CORE SIZE: BC 800x638x64 TANK SIZE: 662*100            CARTON:            OEM:            DPI:</p>
<p><b>BUS-51009</b></p> 	<p><b>BUS-51010</b></p> 
<p>CARTYPE: YUTONG BUS(宇通客车) MT            CORE SIZE: BC 710x588x64 TANK SIZE: 610*85            CARTON:            OEM:            DPI:</p>	<p>CARTYPE: BUS(客车) MT            CORE SIZE: BC 680x678x64 TANK SIZE: 695*78            CARTON:            OEM:            DPI:</p>
<p><b>BUS-51011</b></p> 	<p><b>BUS-51012</b></p> 
<p>CARTYPE: YUTONG BUS(宇通客车) MT            CORE SIZE: BC 710x638x81 TANK SIZE: 662*100            CARTON:            OEM:            DPI:</p>	<p>CARTYPE: THE NEW D BUS(新D大巴) MT            CORE SIZE: BC 680*668*64 TANK SIZE: 695*78            CARTON:            OEM:            DPI:</p>

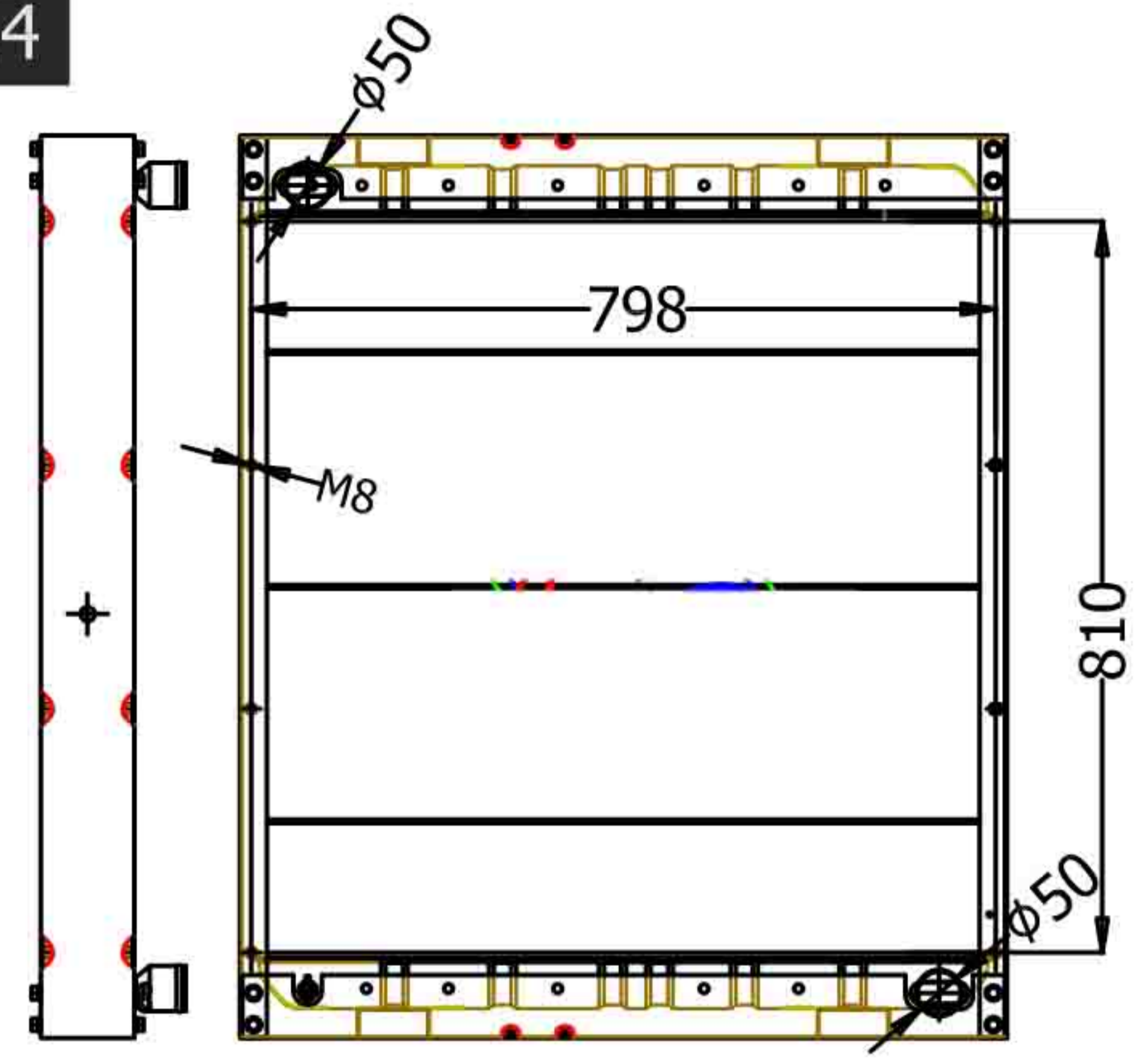
# BUS

**BUS-51013**



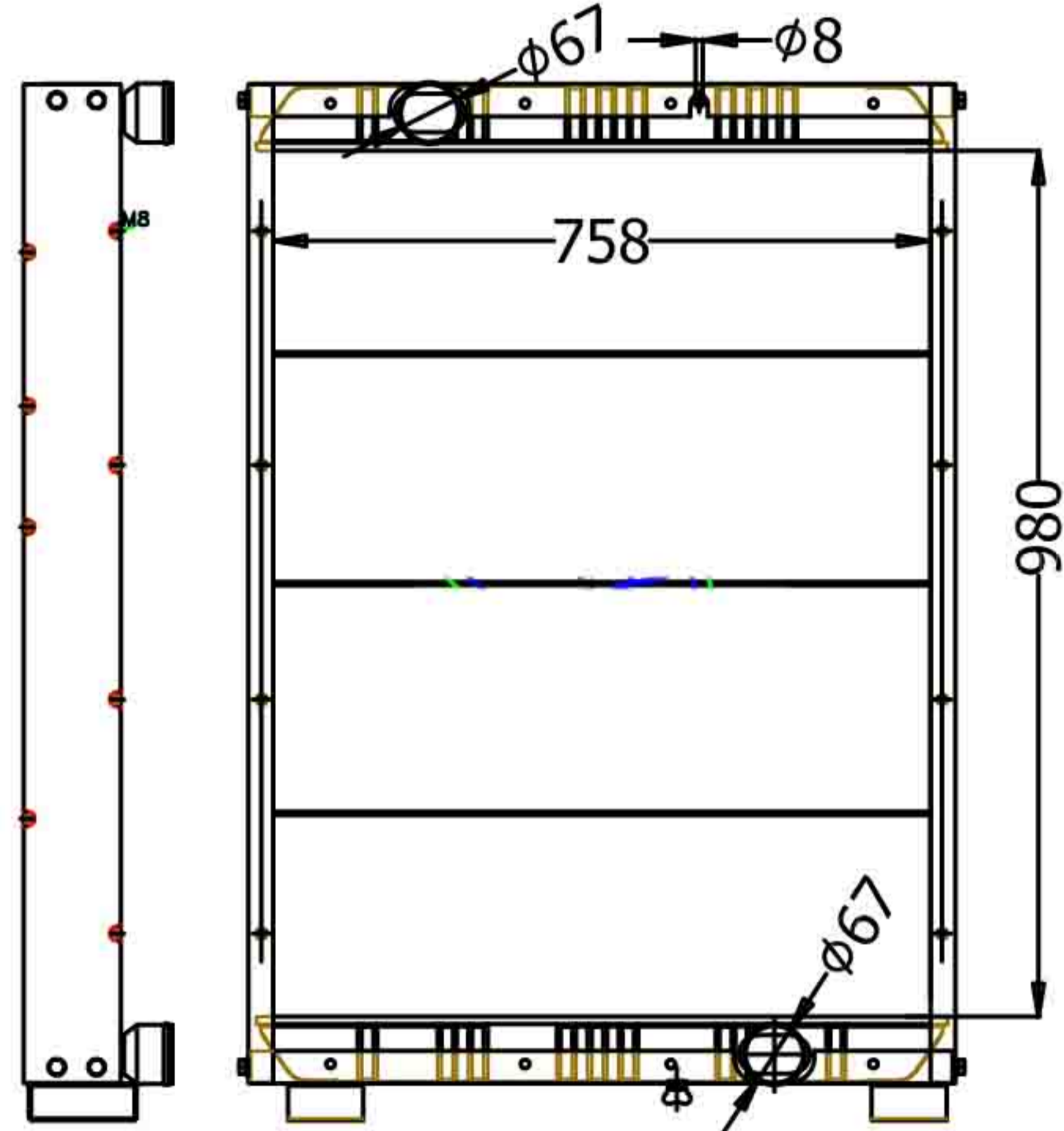
CARTYPE: SUZHOU JINLONG MEG BUS (苏州金龙梅格客车) MT  
 CORE SIZE: BC 810\*798\*64 TANK SIZE: 815\*95  
 CARTON:  
 OEM:  
 DPI:

**BUS-51014**



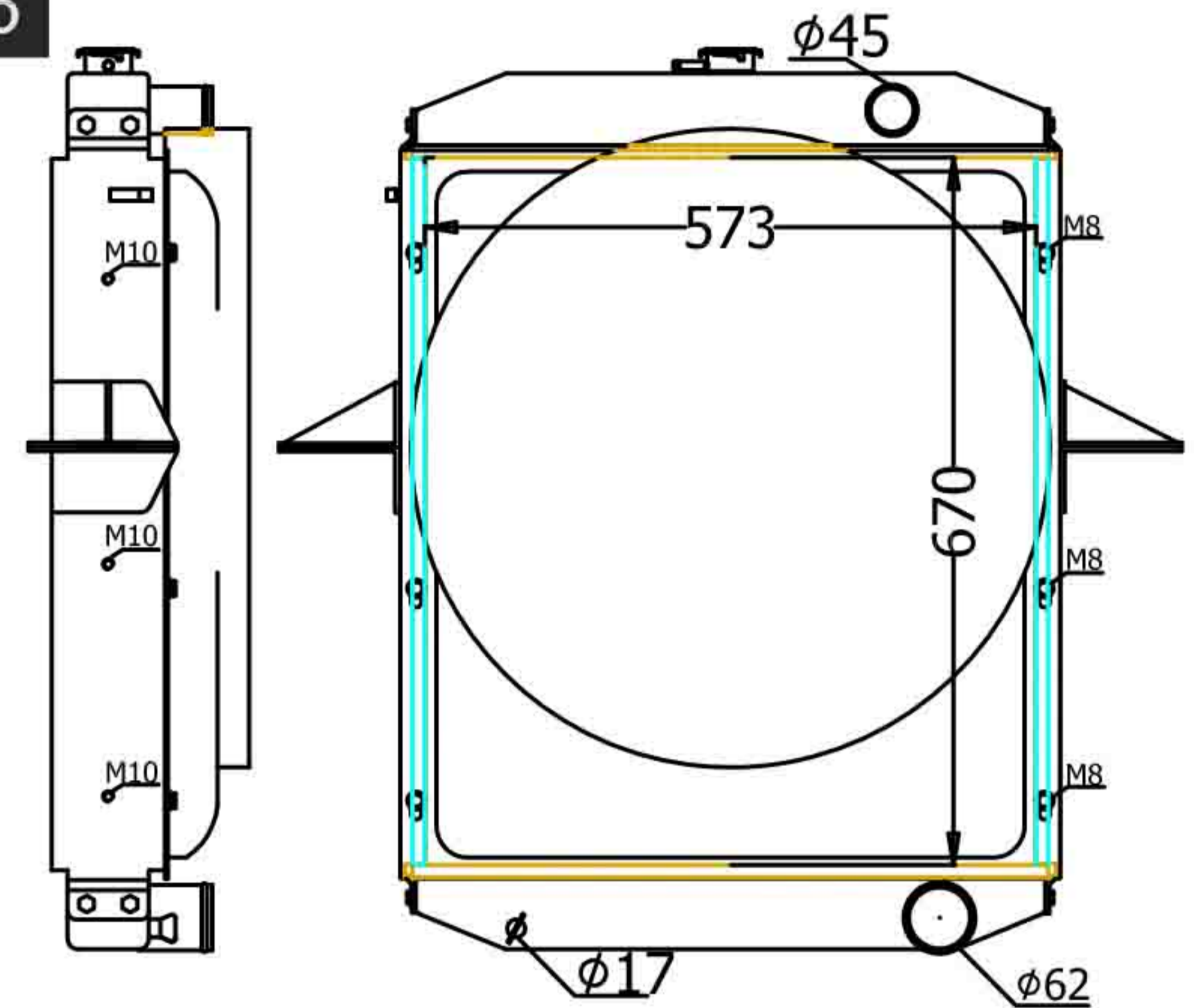
CARTYPE: HAGRID 13XE1 BUS (梅格13XE1客车) MT  
 CORE SIZE: BC 810\*798\*64 TANK SIZE: 815\*95  
 CARTON:  
 OEM:  
 DPI:

**BUS-51015**



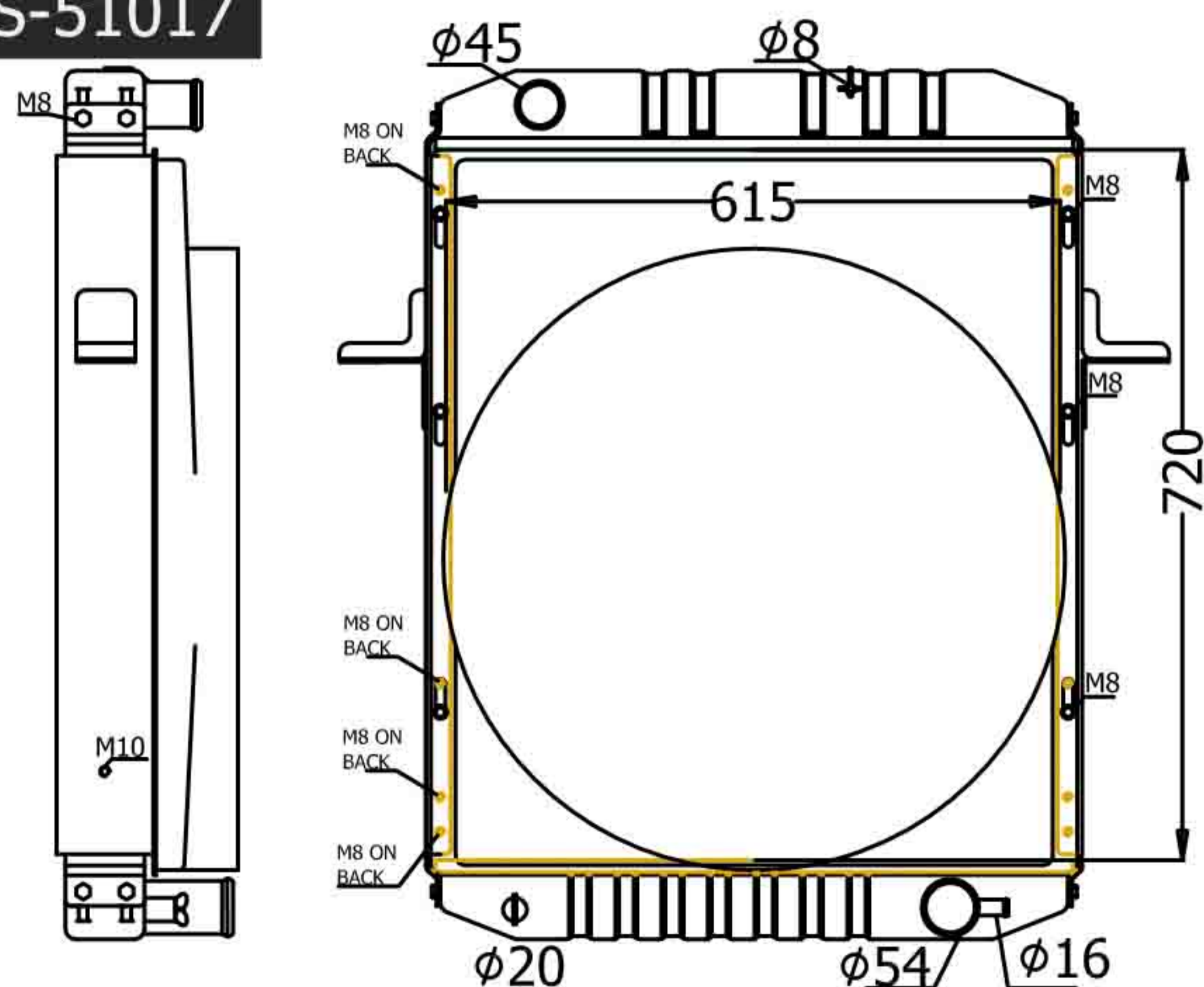
CARTYPE: CUMMINGS BUS (康明斯客车) MT  
 CORE SIZE: BC 980x548x81 TANK SIZE: 565\*95  
 CARTON:  
 OEM:  
 DPI:

**BUS-51016**



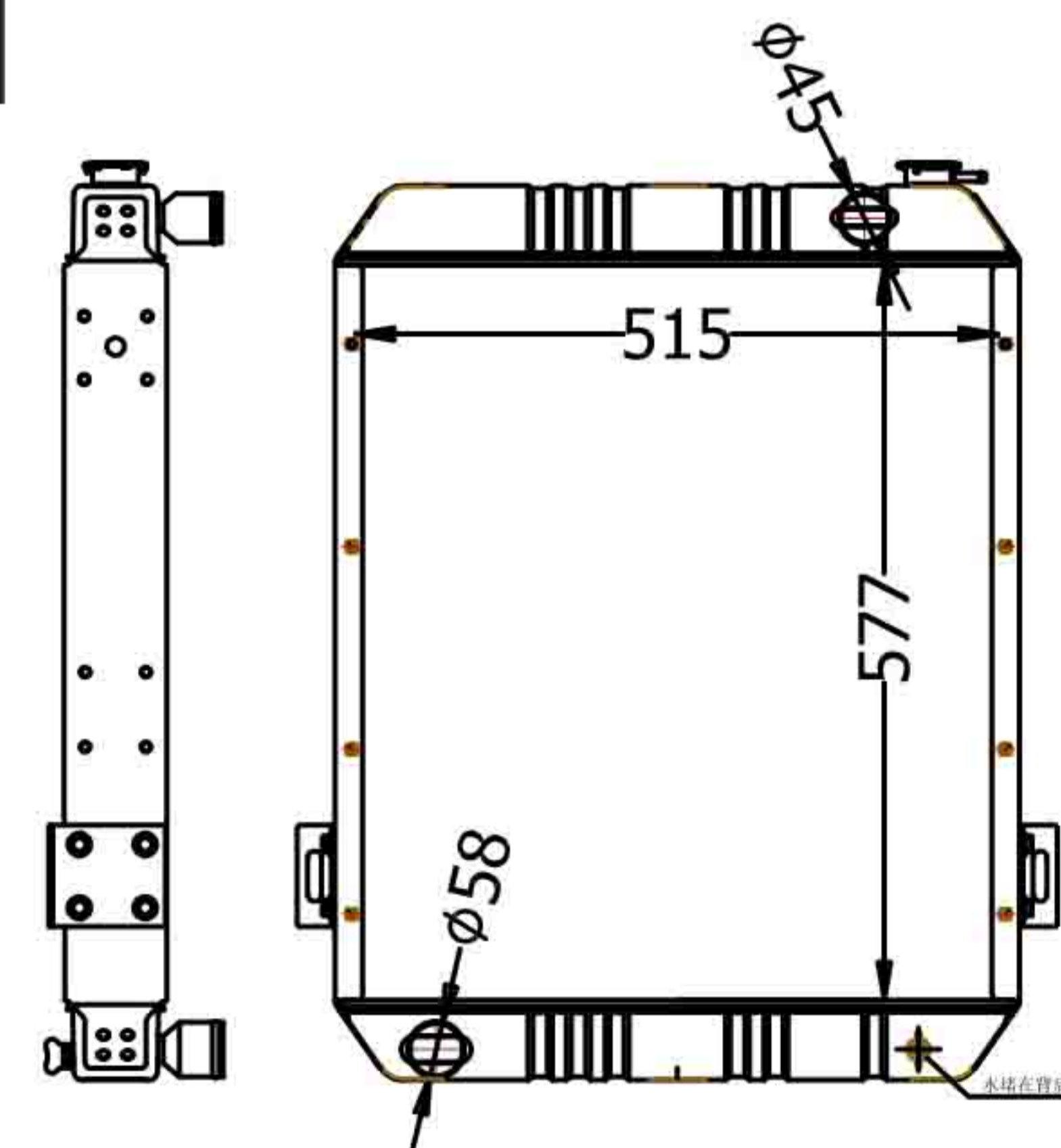
CARTYPE : MT  
 CORE SIZE : CB : 670\*573\*58 TANK SIZE: 595\*84  
 CARTON:  
 OEM : G0130020095A9  
 DPI :

**BUS-51017**



CARTYPE: MT  
 CORE SIZE: BC 720\*615\*56 TANK SIZE: 645\*90  
 CARTON:  
 OEM: 13102131M0022  
 DPI:

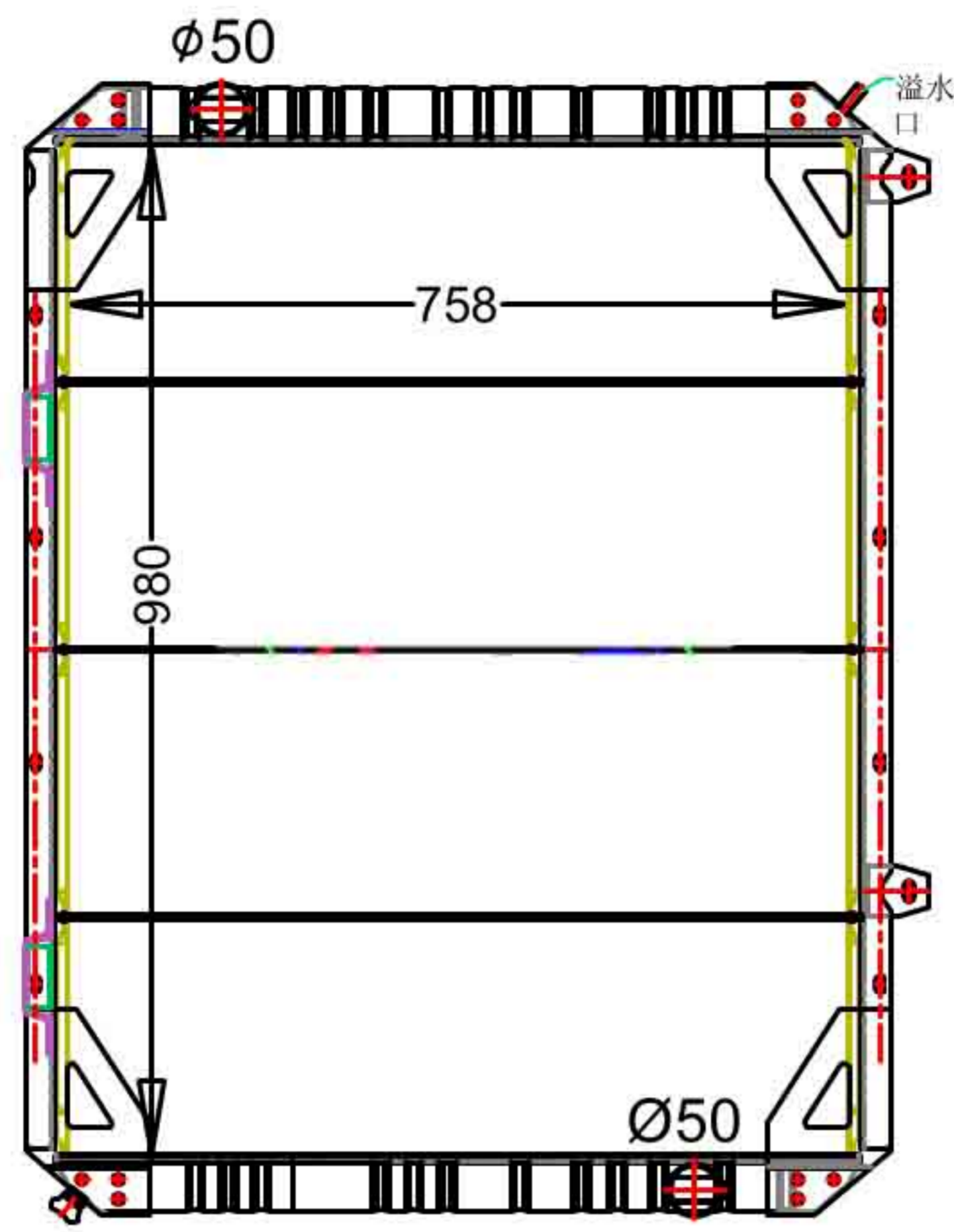
**BUS-51018**



CARTYPE: XIAMEN KINGLONG BUS M8 (厦门金龙客车) MT  
 CORE SIZE: BC 577\*515\*49 TANK SIZE: 530\*77  
 CARTON:  
 OEM:  
 DPI:

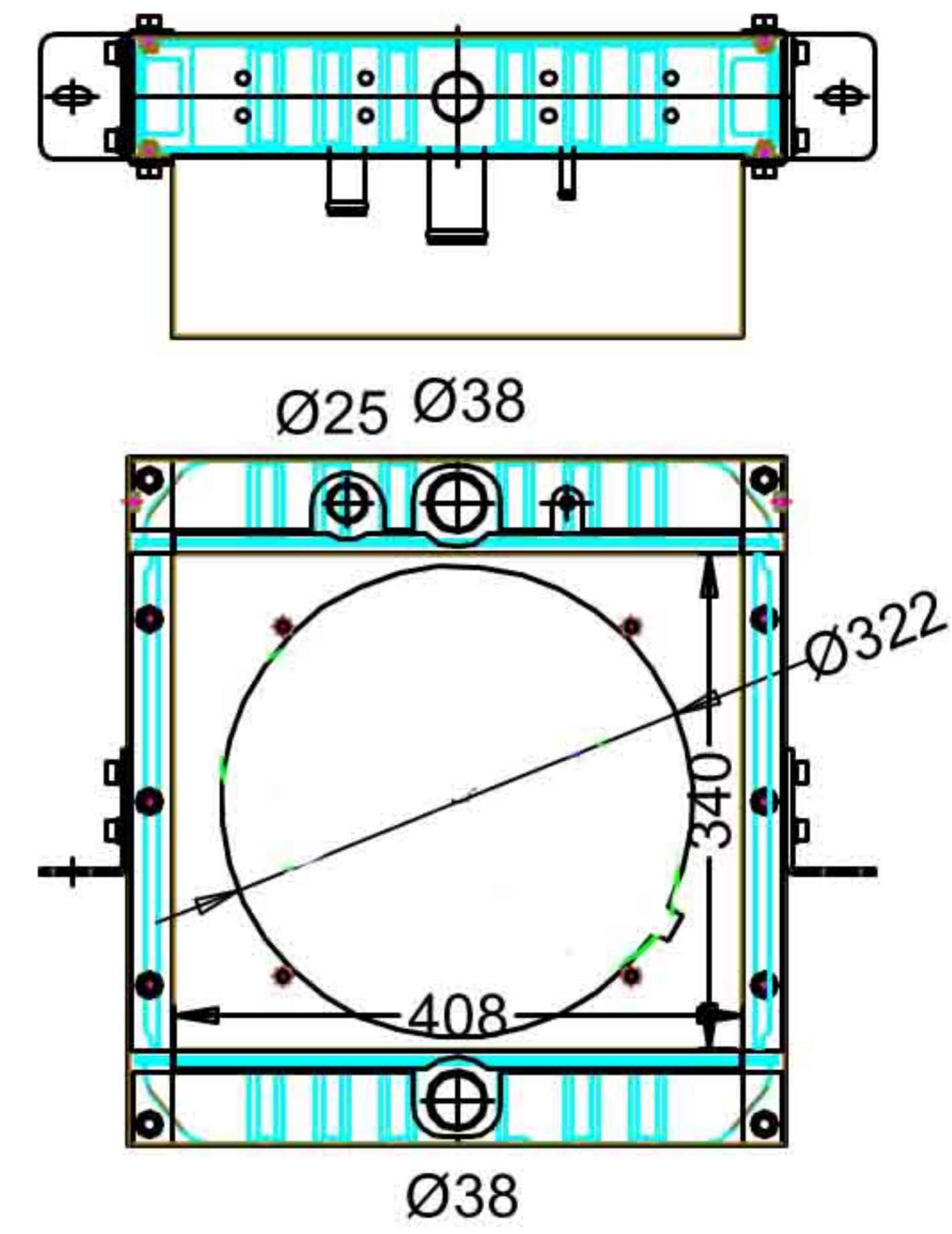
# BUS

**BUS-51019**



CARTYPE : MTM  
 CORE SIZE : BC : 980x758x64 TANK SIZE : 780x74  
 CORE SIZE :  
 OEM :  
 DPI:

**BUS-51020**



CARTYPE :  
 CORE SIZE : BC : 340\*408\*64 TANK SIZE : 435\*77  
 CORE SIZE :  
 OME :  
 DPI :

**BUS-51021**

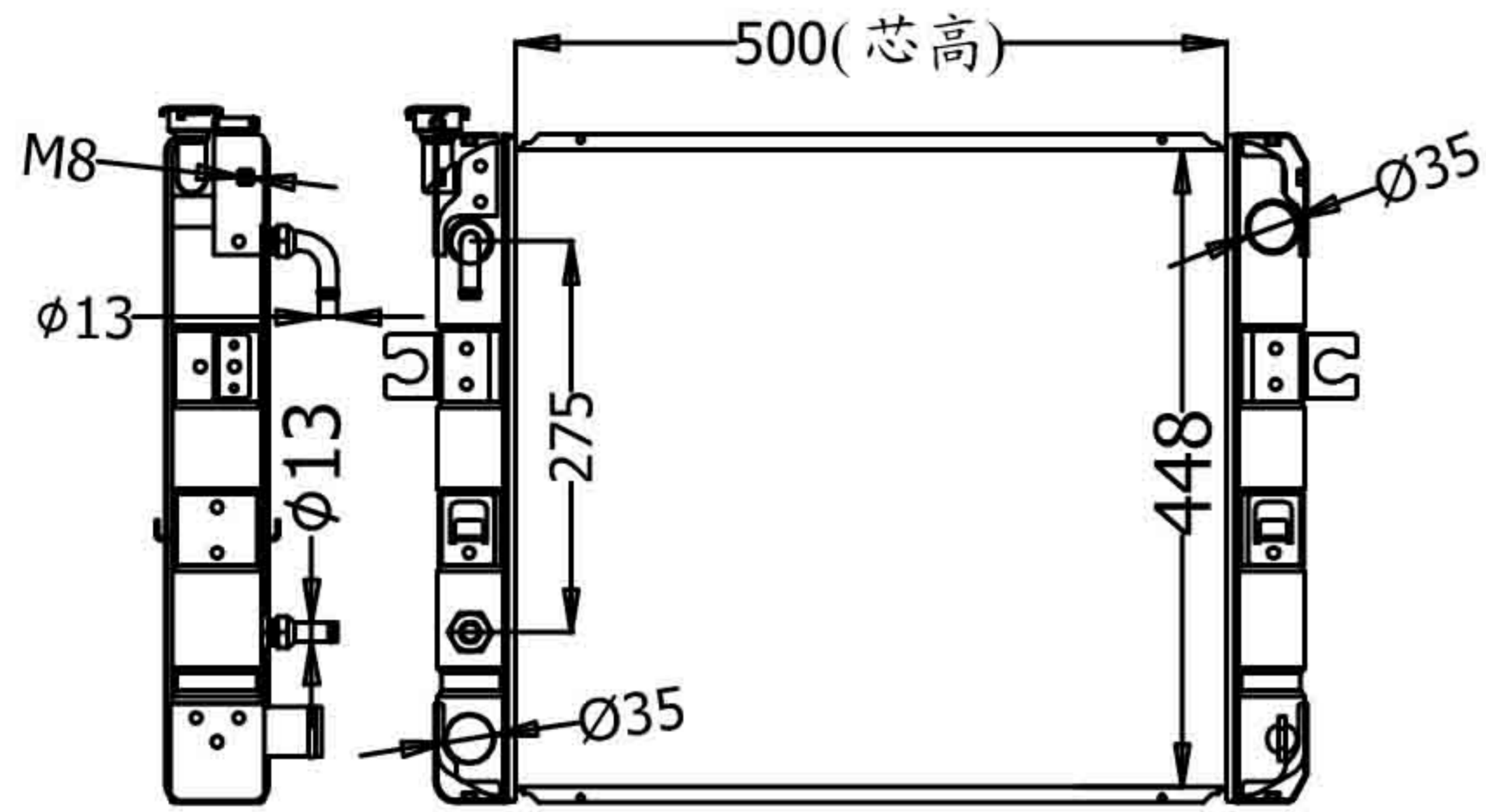
**BUS-51022**

**BUS-51023**

**BUS-51024**

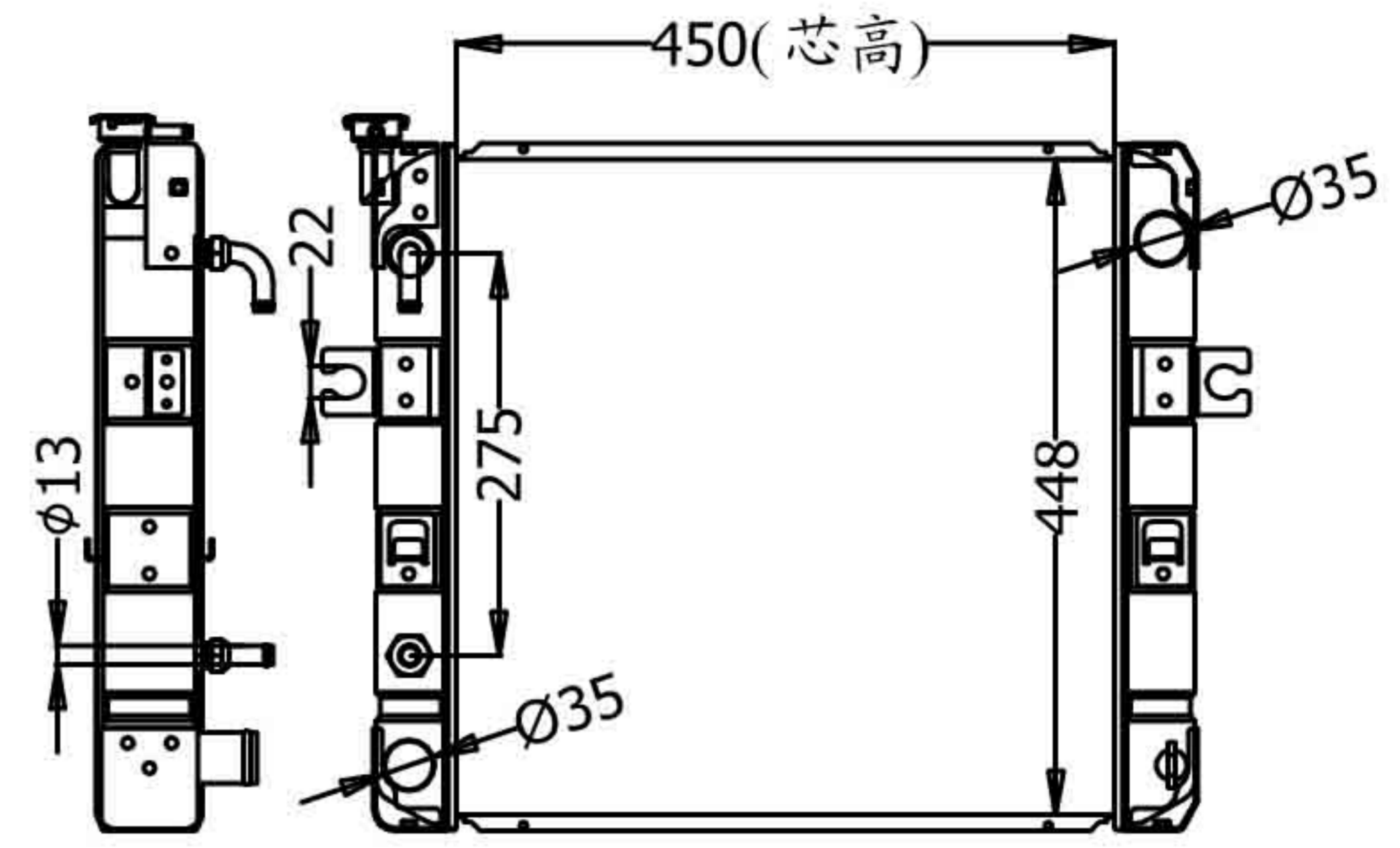
# FORK

**FORK-63001**



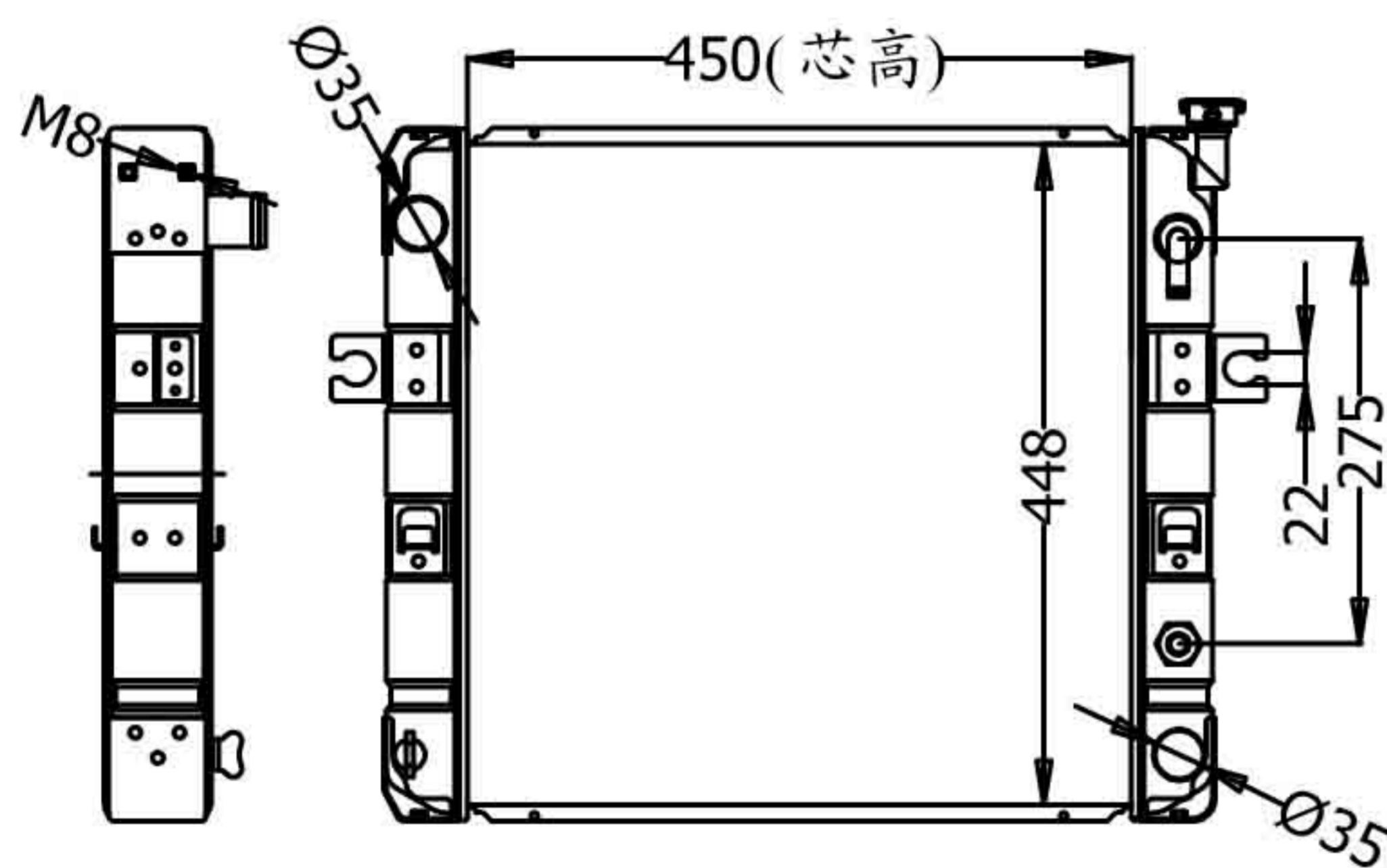
CARTYPE: R020 AT  
 CORE SIZE: BC 500\*448\*49 TANK SIZE: 467\*70  
 CARTON:  
 OEM:  
 DPI:

**FORK-63002**



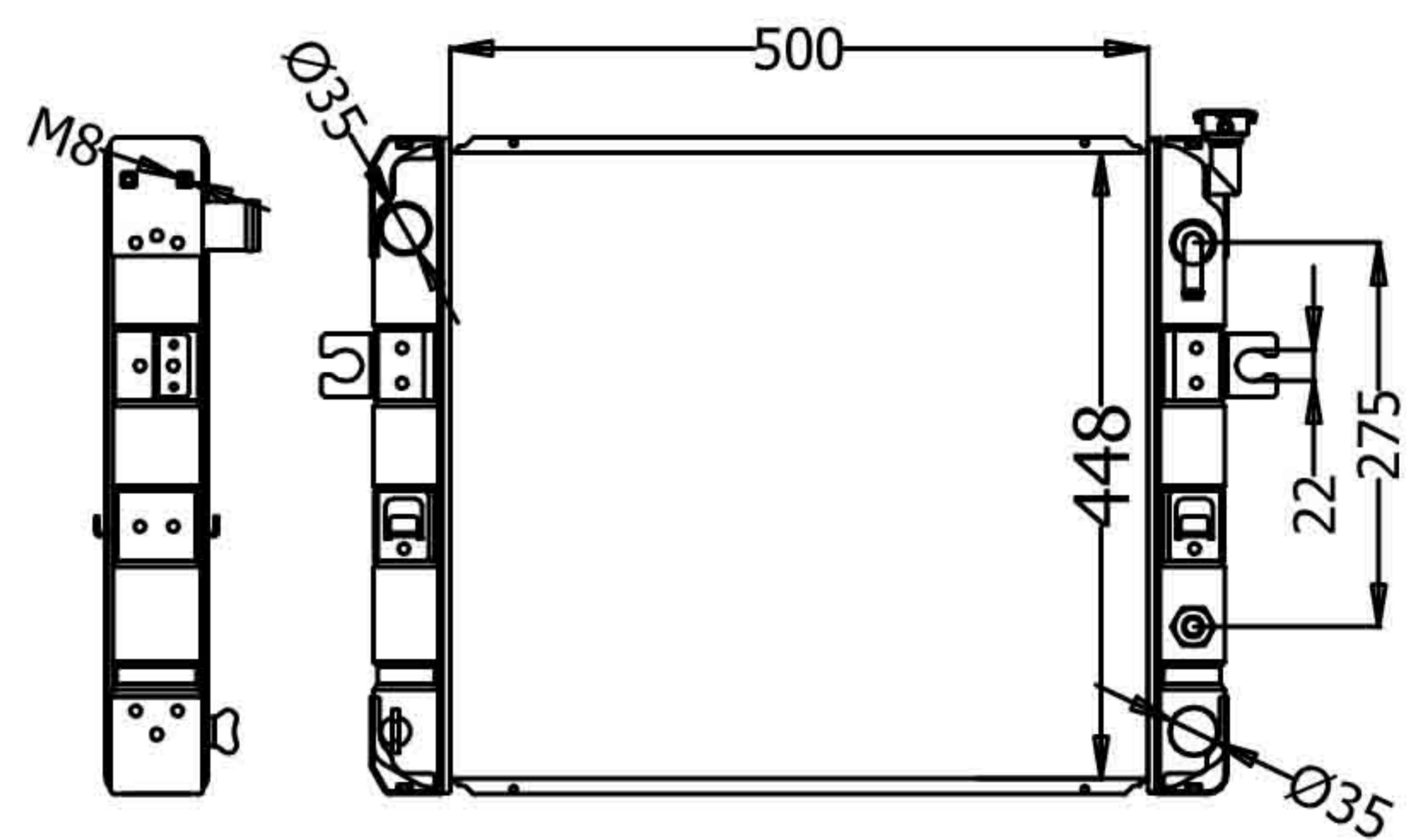
CARTYPE: RO21 AT  
 CORE SIZE: BC 450\*448\*49 TANK SIZE: 467\*70  
 CARTON:  
 OEM:  
 DPI:

**FORK-63003**



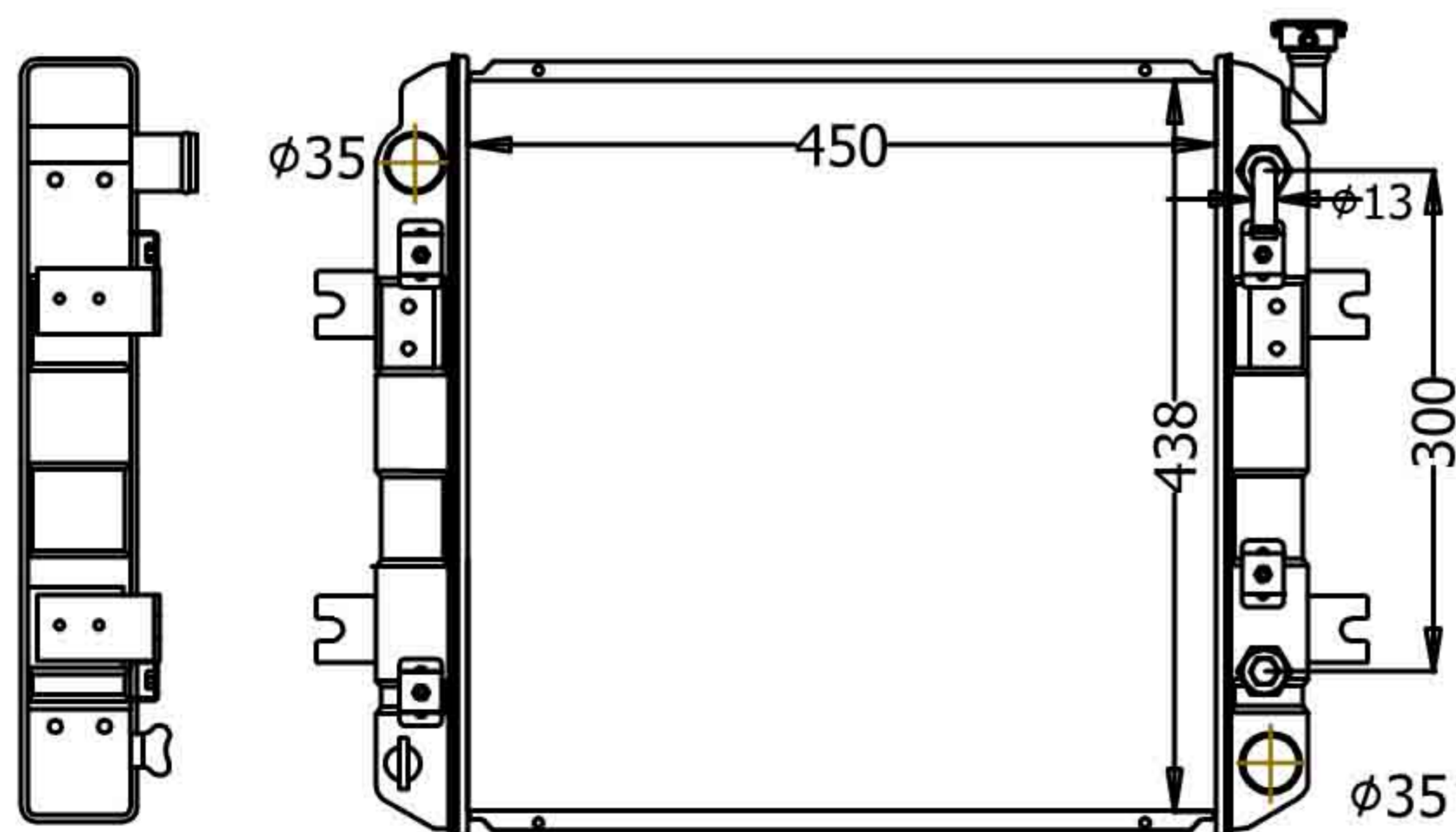
CARTYPE: RO22 AT  
 CORE SIZE: BC 450\*448\*49 TANK SIZE: 467\*70  
 CARTON:  
 OEM:  
 DPI:

**FORK-63004**



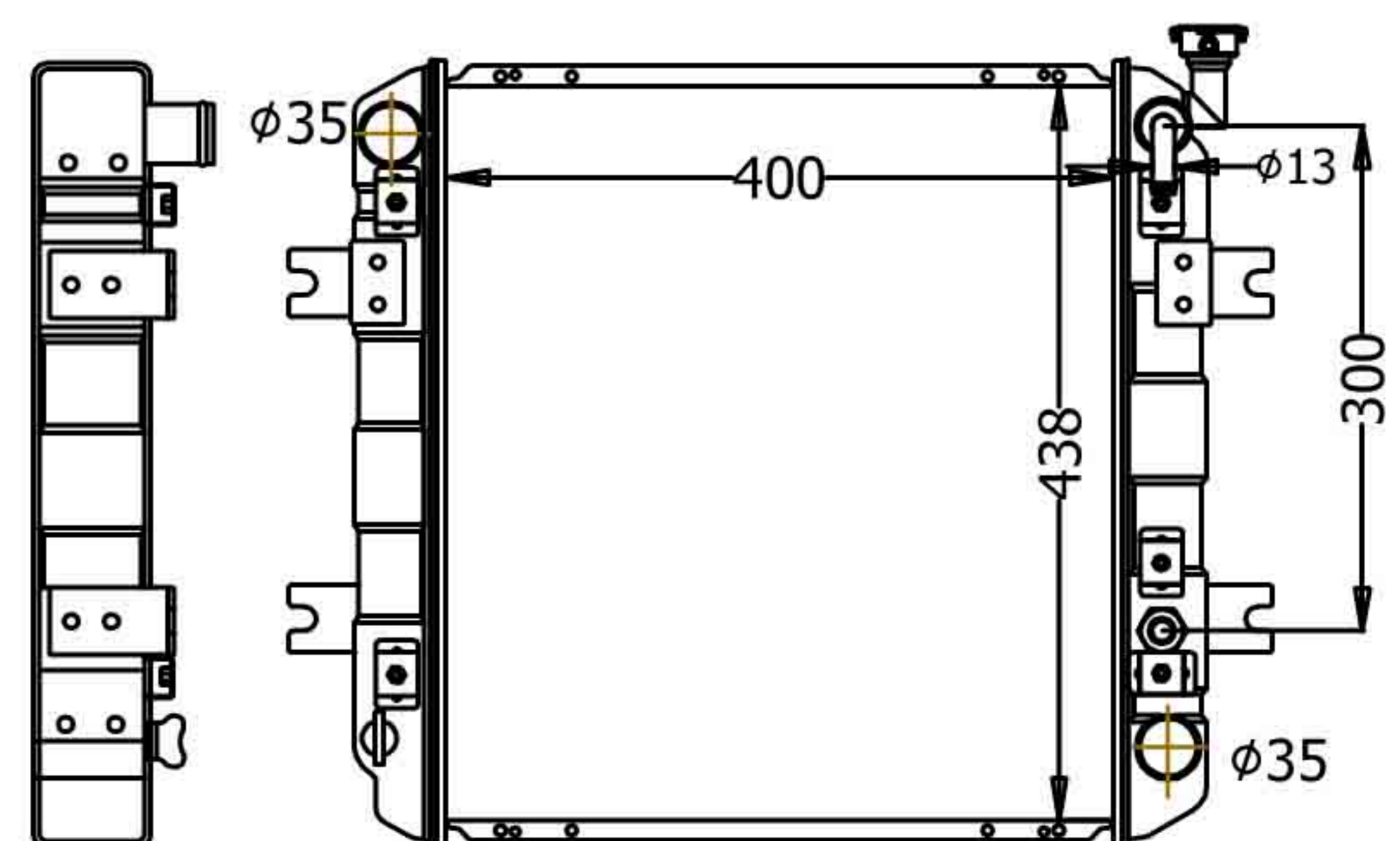
CARTYPE: RO23 AT  
 CORE SIZE: BC 500\*448\*49 TANK SIZE: 467\*70  
 CARTON:  
 OEM:  
 DPI:

**FORK-63005**



CARTYPE: NISSAN 30DHBG 32 (日产) AT  
 CORE SIZE: BC 450\*438\*64 TANK SIZE: 467\*70  
 CARTON:  
 OEM:  
 DPI:

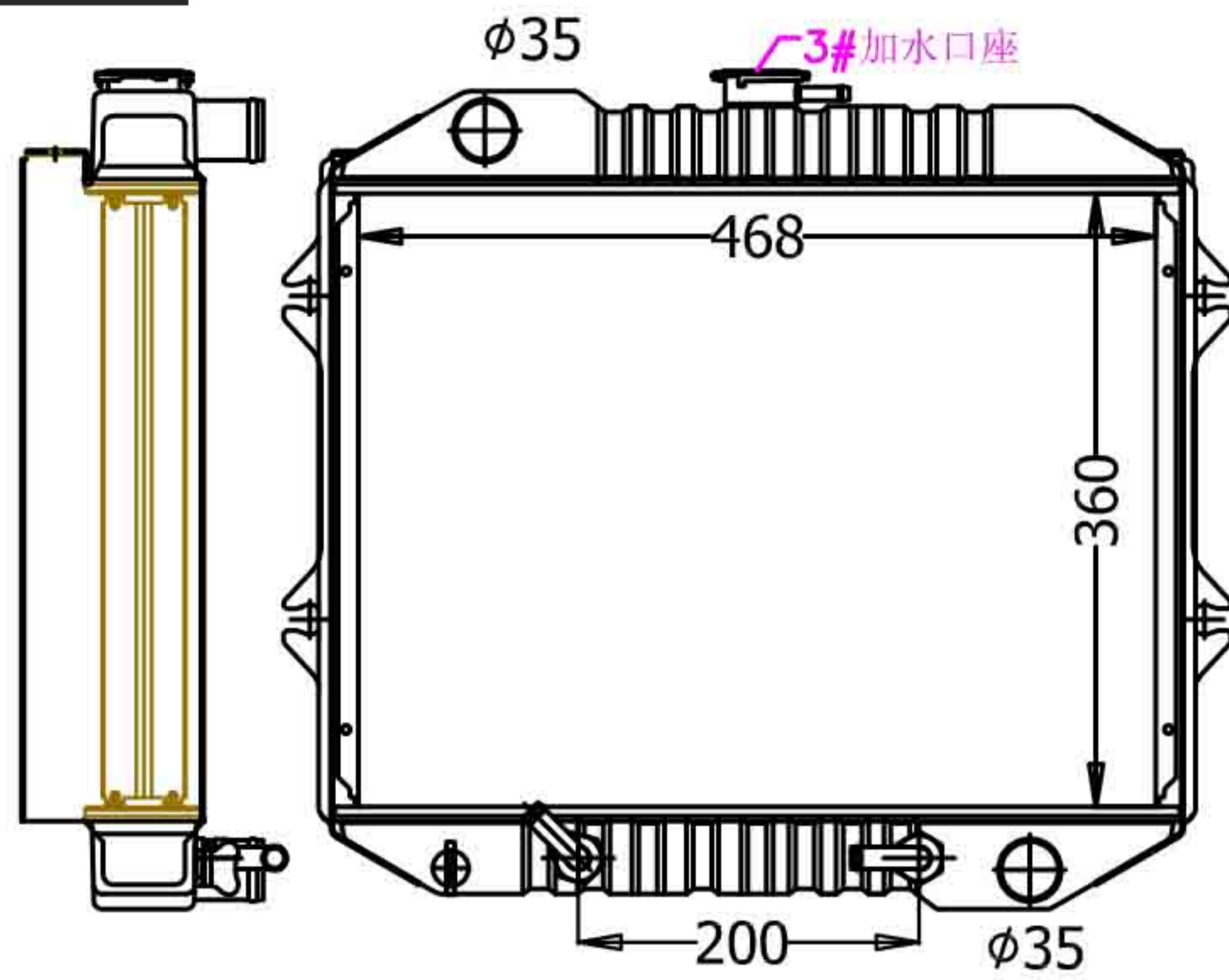
**FORK-63006**



CARTYPE: NISSAN N040-334000 (日产) AT  
 CORE SIZE: BC :400\*438\*64 TANK SIZE: 467\*70  
 CARTON:  
 OEM:  
 DPI:

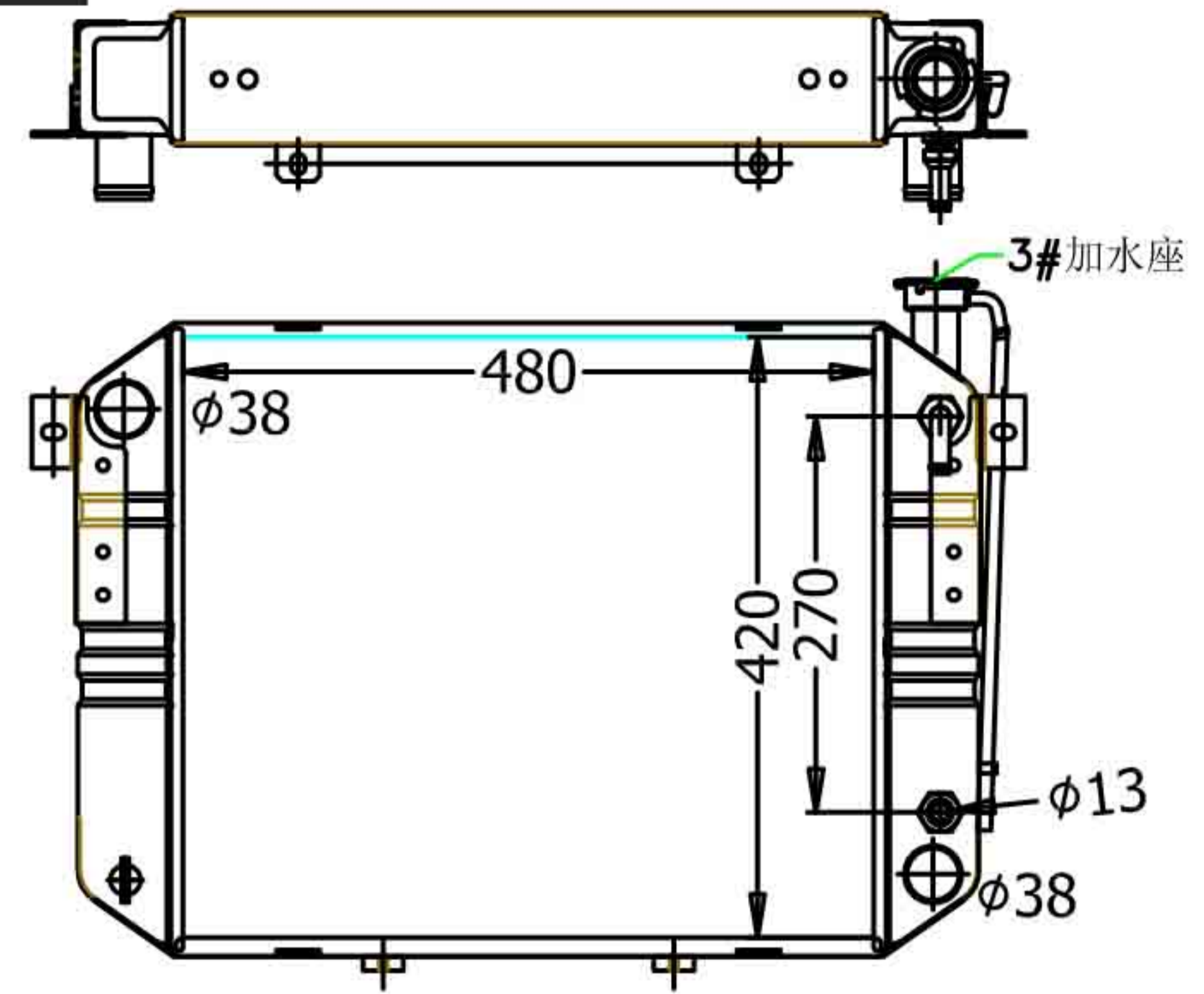
# FORK

## FORK-63007



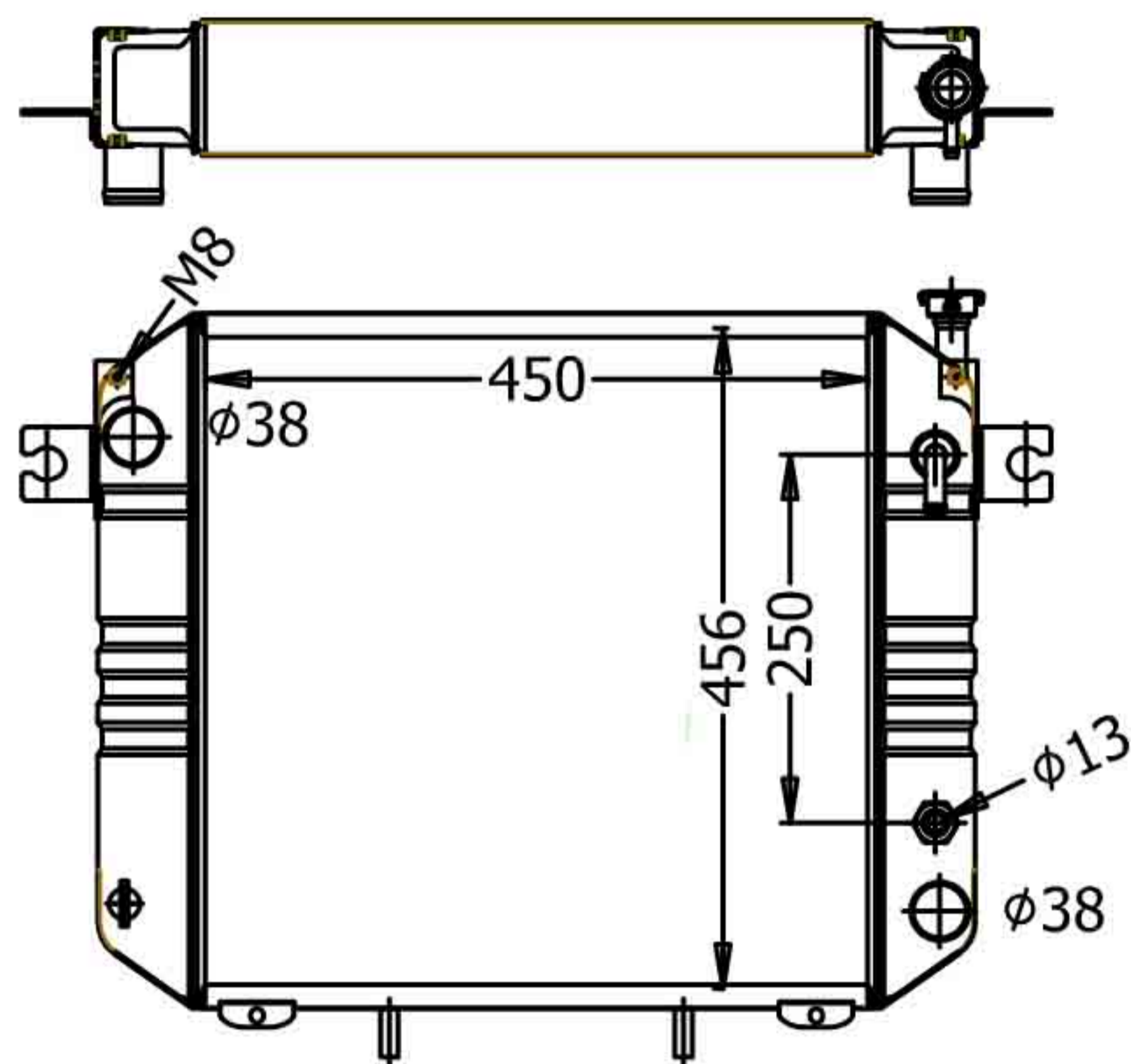
CARTYPE: TOYOTA RA-180 (丰田) AT  
 CORE SIZE: BC 360\*468\*49 TANK SIZE: 495\*68  
 CARTON:  
 OEM:  
 DPI:

## FORK-63008



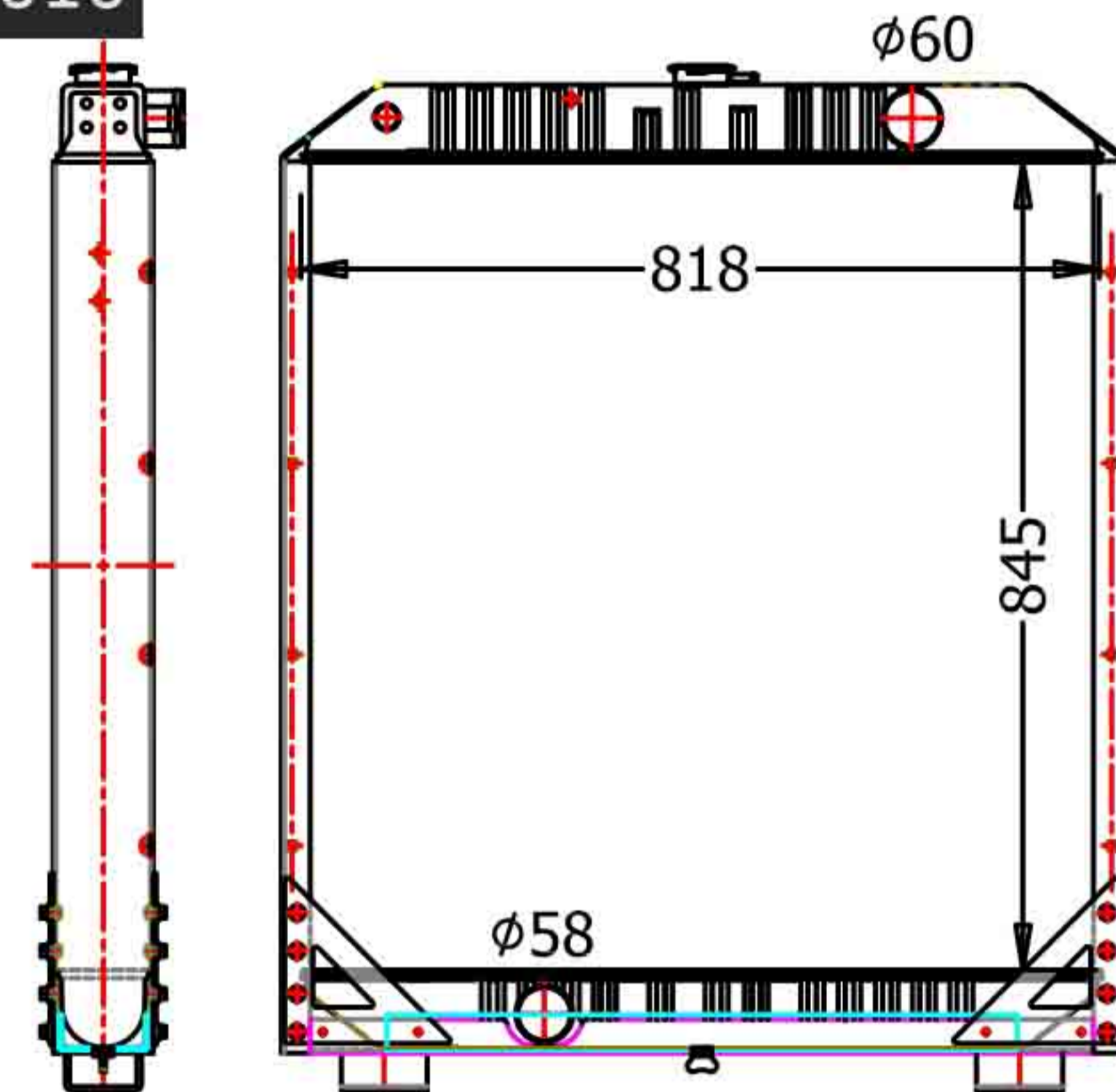
CARTYPE: HANG ZHOU FORKLIFT(杭州叉车) AT  
 CORE SIZE: BC 480\*420\*70 TANK SIZE: 430\*85  
 CARTON:  
 OEM:  
 DPI:

## FORK-63009



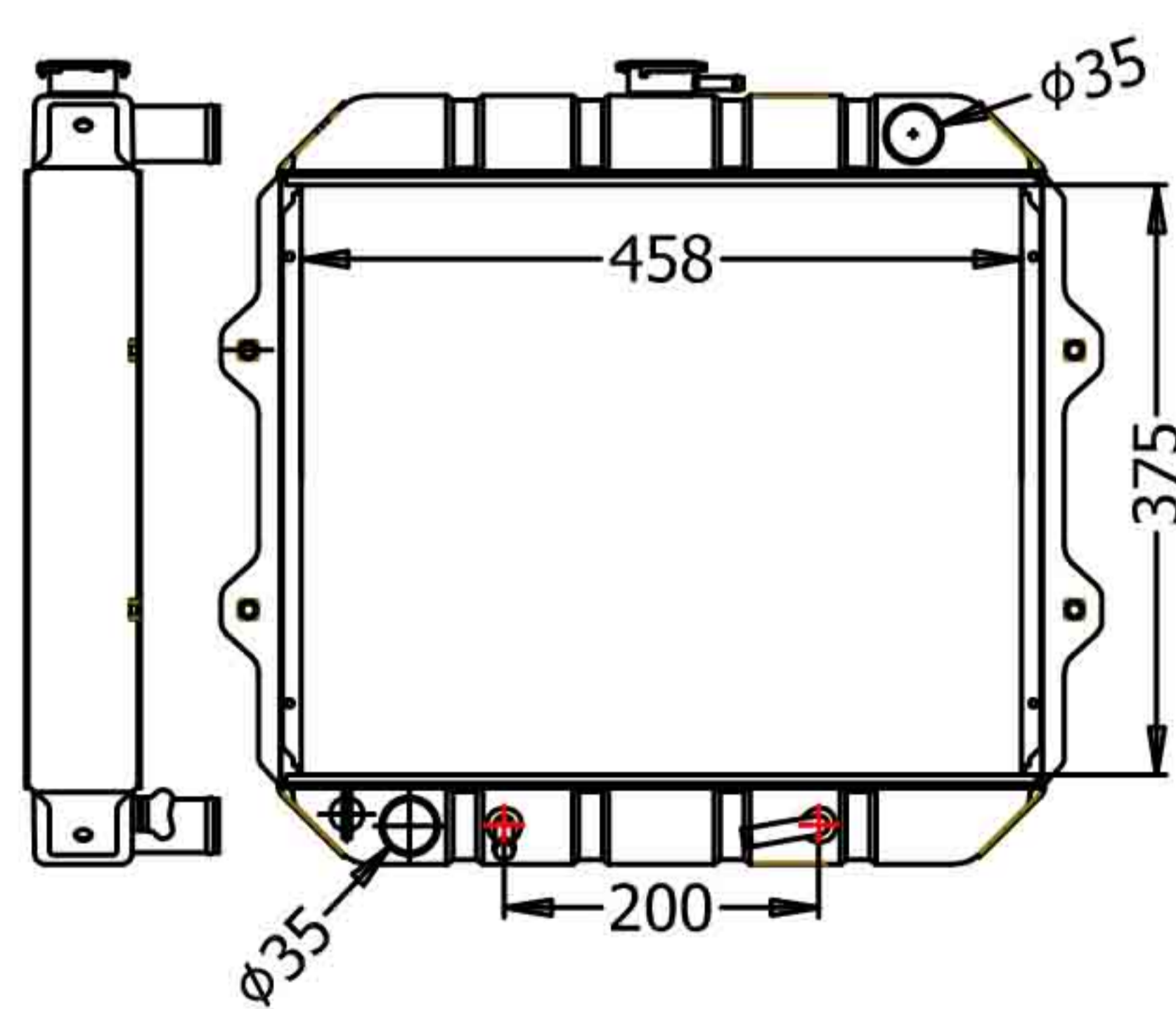
CARTYPE: FORKLIFT(改款叉车) AT  
 CORE SIZE: BC 450\*456\*70 TANK SIZE: 466\*85  
 CARTON:  
 OEM:  
 DPI:

## FORK-63010



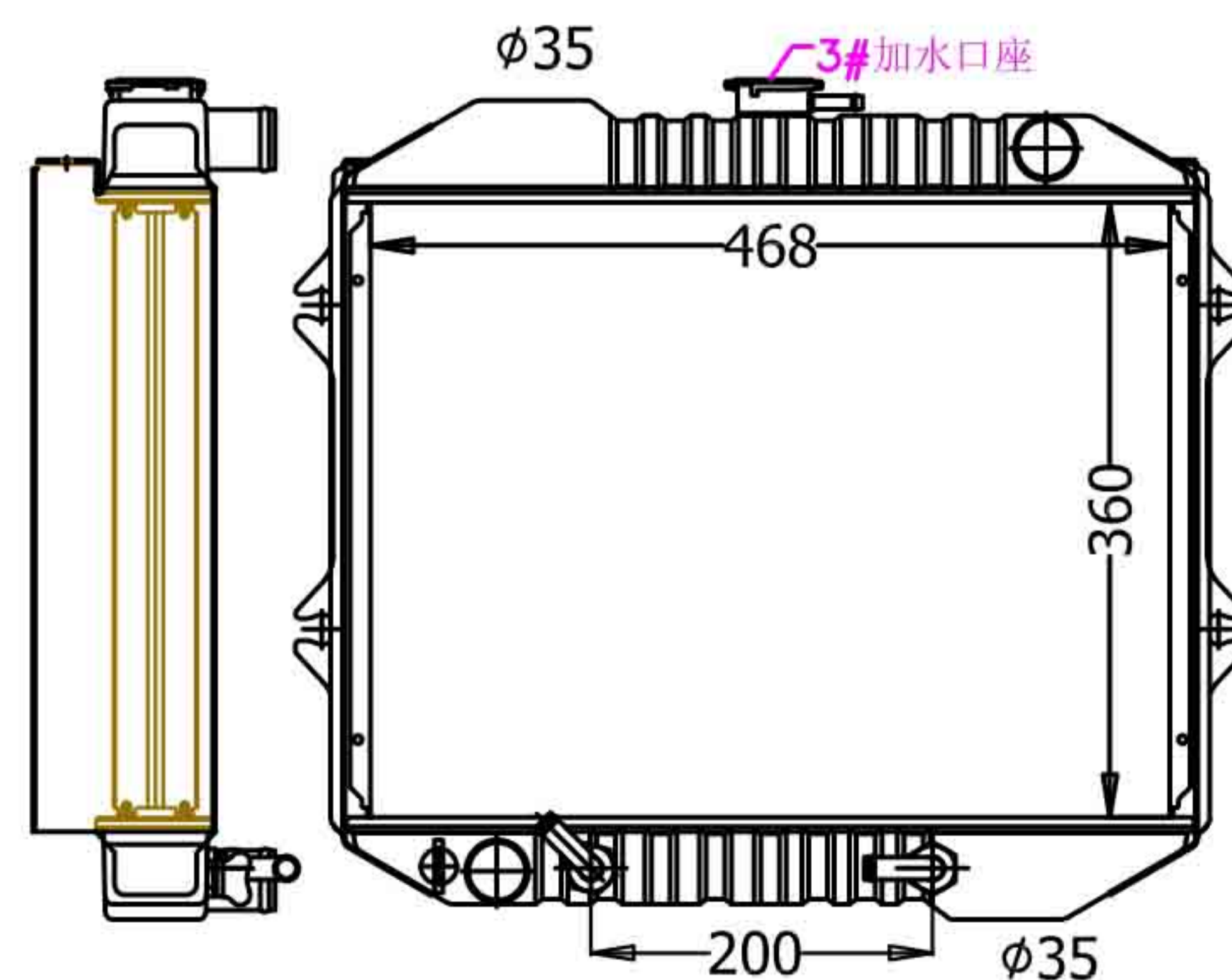
CARTYPE: PIER FORKLIFT (码头叉车) MT  
 CORE SIZE: BC 845\*818\*81 TANK SIZE: 835\*95  
 CARTON:  
 OEM:  
 DPI:

## FORK-63011



CARTYPE: TOYOTA RA-18 GENERATOR (丰田RA-18发电机) AT  
 CORE SIZE: BC 375\*458\*49 TANK SIZE: 476\*70  
 CARTON:  
 OEM:  
 DPI:

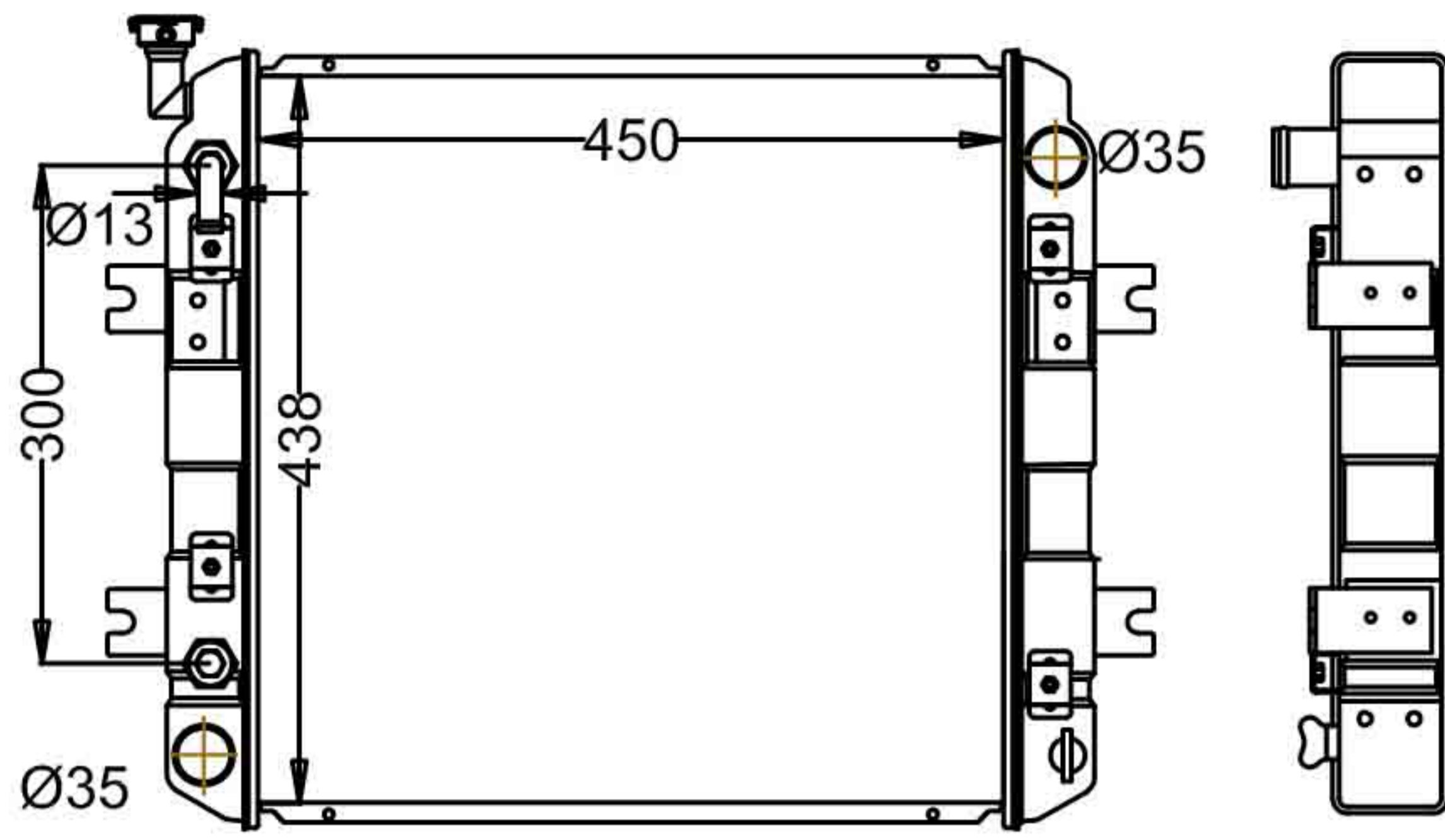
## FORK-63012



CARTYPE: TOYOTA RA-180 (丰田) AT  
 CORE SIZE: BC 360\*468\*49 TANK SIZE: 495\*68  
 CARTON:  
 OEM:  
 DPI:

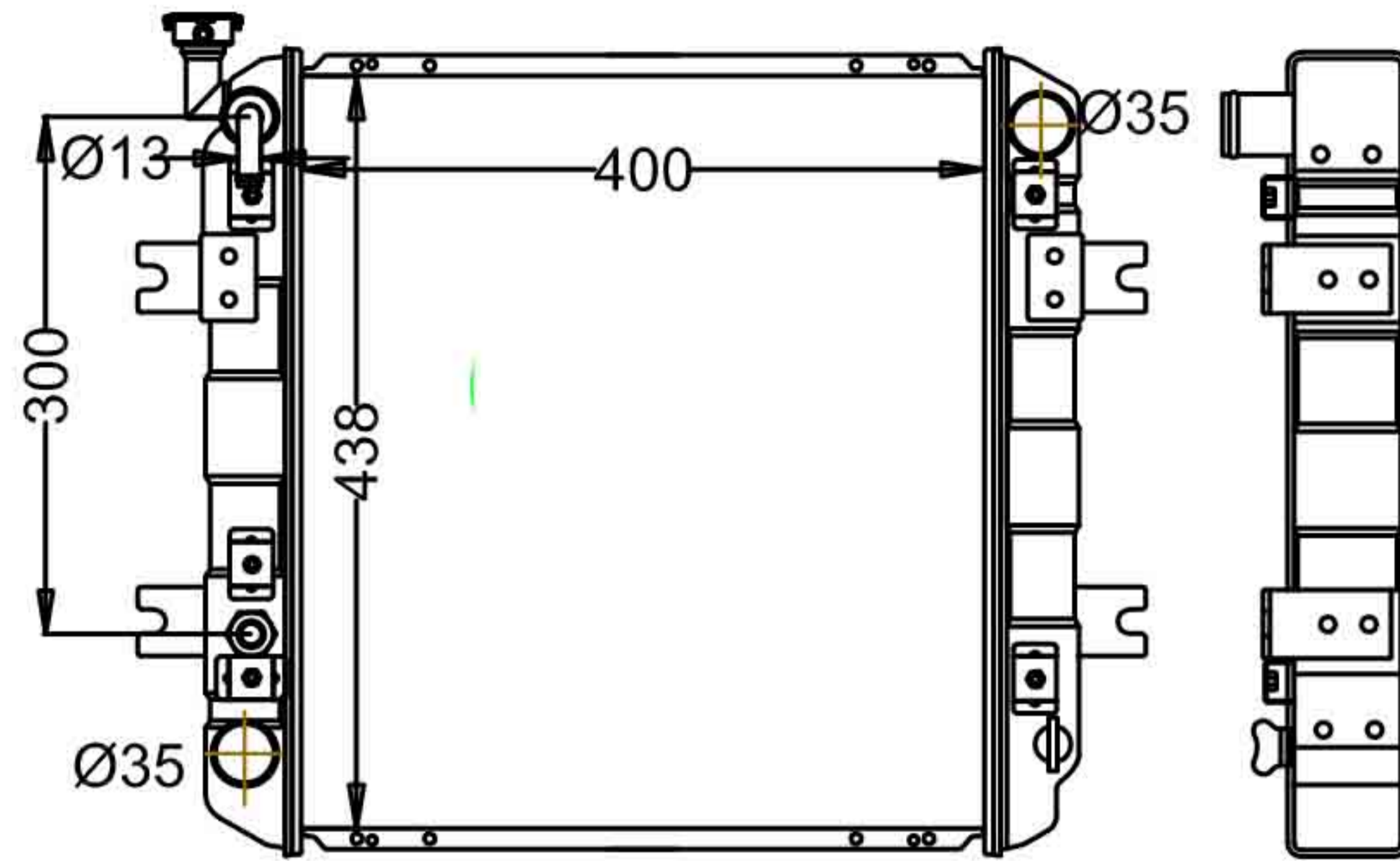
# FORK

**FORK-63013**



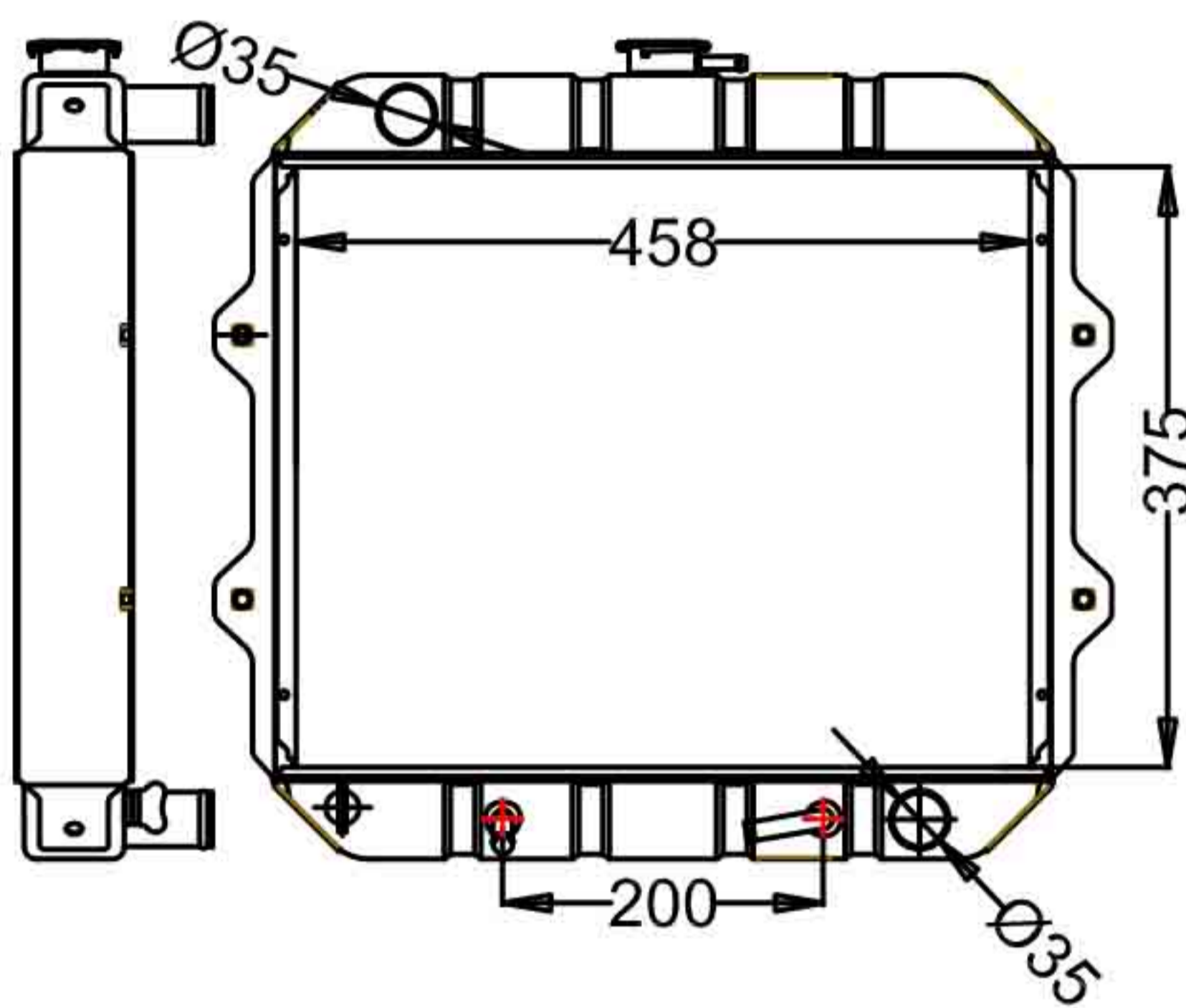
CARTYPE: NISSAN 30DHBG 32 (日产) AT  
 CORE SIZE: BC 450\*438\*64 TANK SIZE: 467\*70  
 CARTON:  
 OEM:  
 DPI:

**FORK-63014**



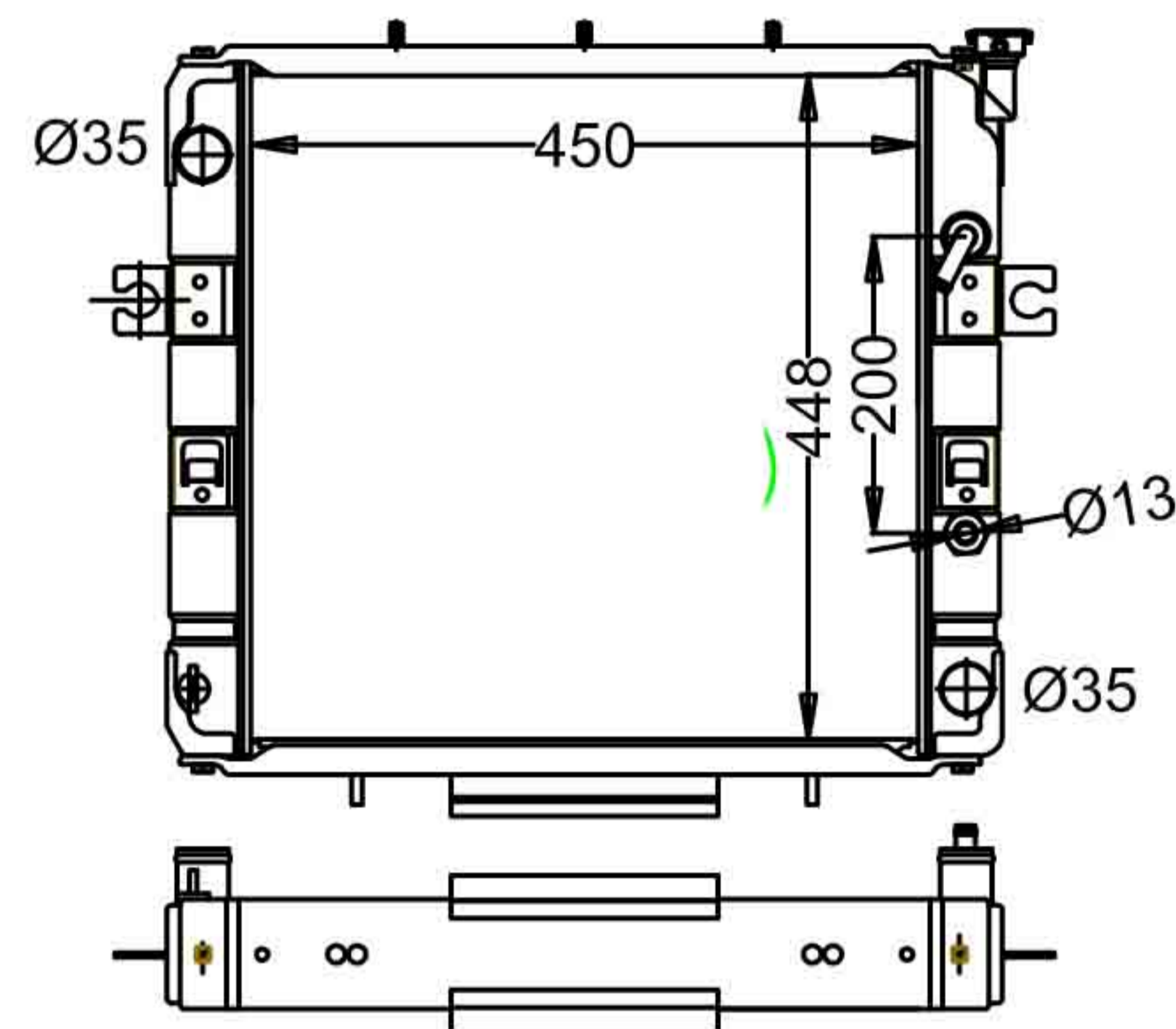
CARTYPE: NISSAN N040-334000 (日产) AT  
 CORE SIZE: BC :400\*438\*64 TANK SIZE: 467\*70  
 CARTON:  
 OEM:  
 DPI:

**FORK-63015**



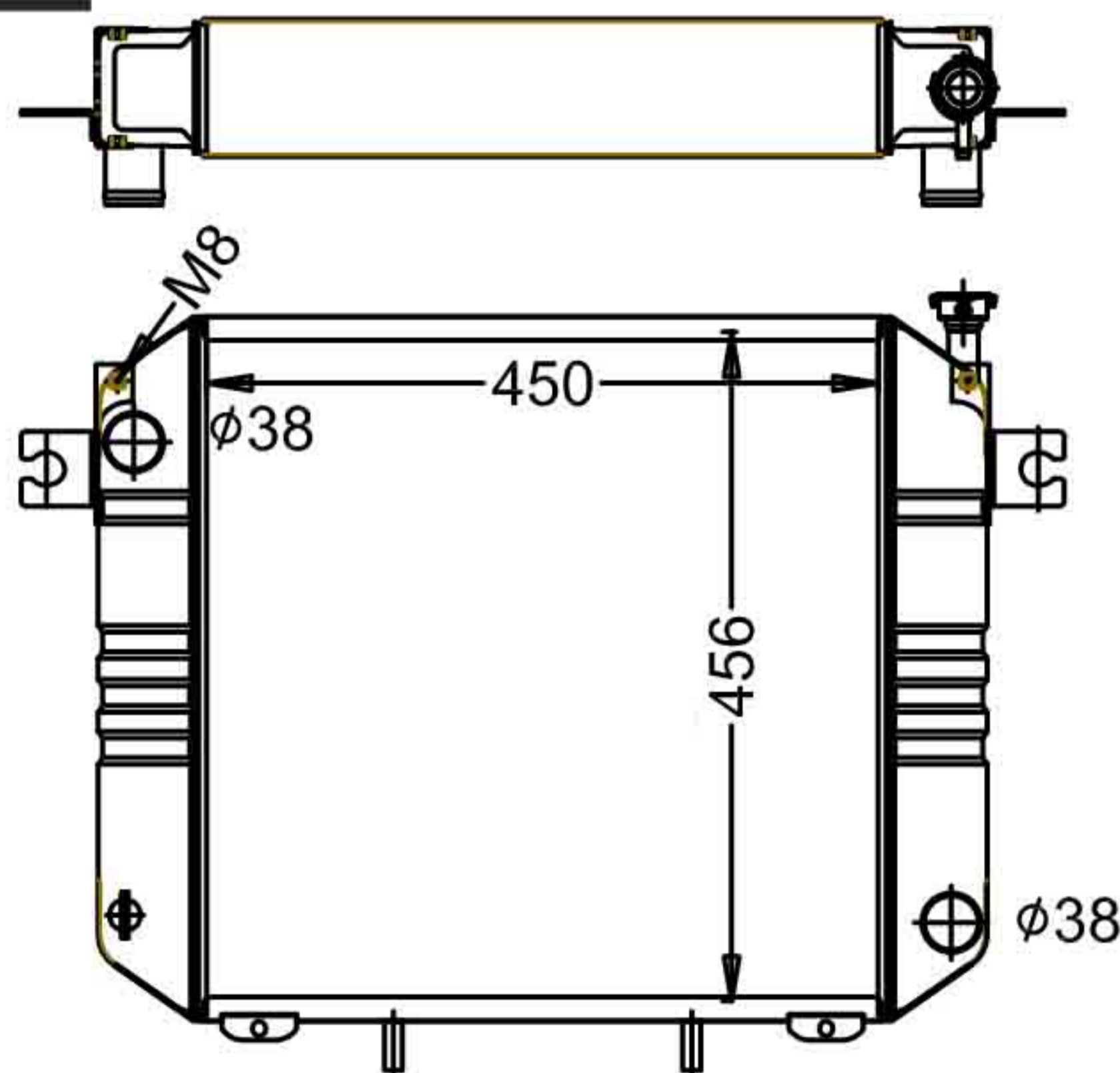
CARTYPE: TOYOTA RA-18 GENERATOR (丰田RA-18发电机) AT  
 CORE SIZE: BC 375\*458\*49 TANK SIZE: 476\*70  
 CARTON:  
 OEM:  
 DPI:

**FORK-63016**



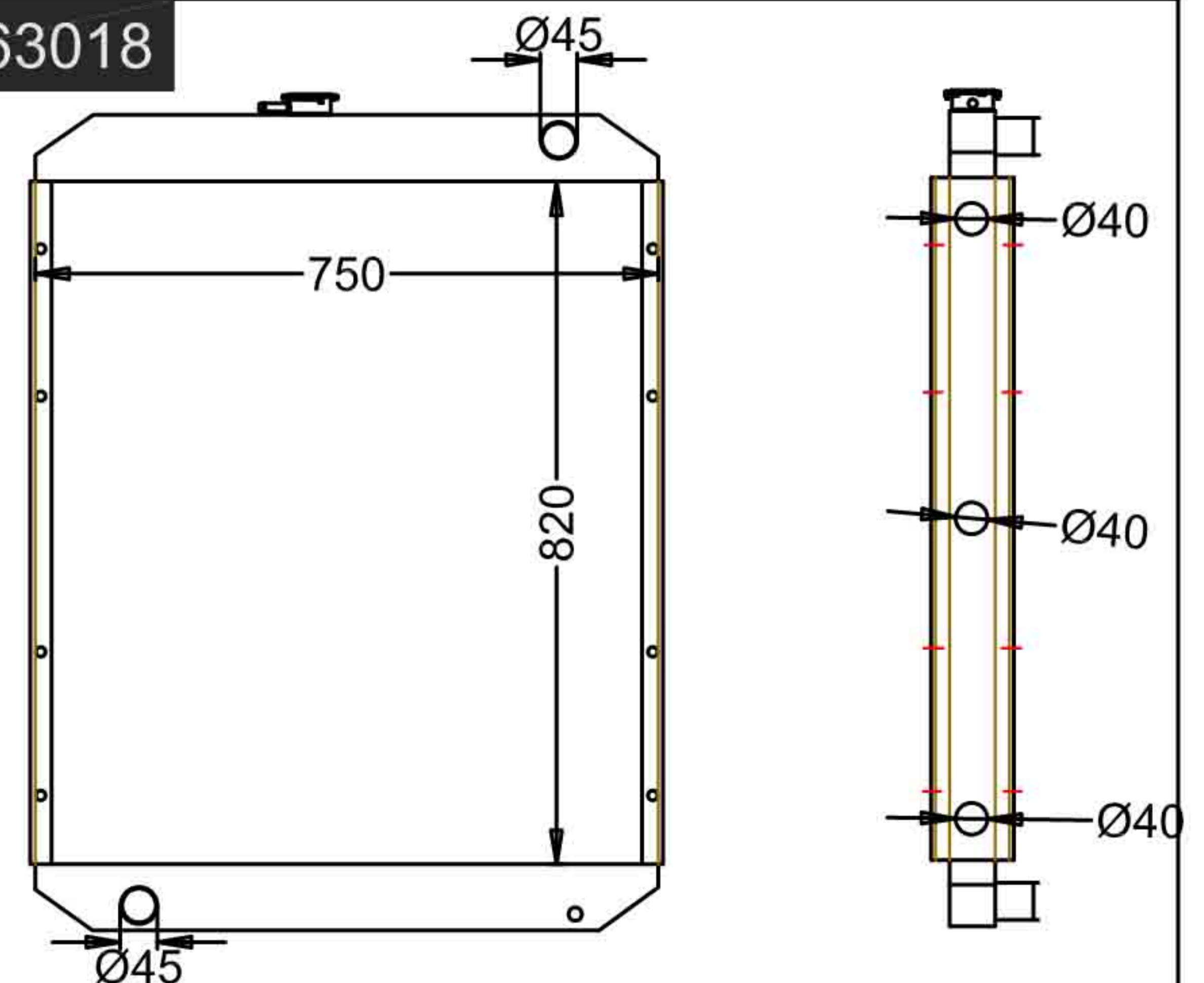
CARTYPE: TOYOTA(改款丰田) RA-18 AT  
 CORE SIZE: BC 450\*448\*49 TANK SIZE: 467\*70  
 CARTON:  
 OEM:  
 DPI:

**FORK-63017**



CARTYPE: FORKLIFT(改款叉车) MT  
 CORE SIZE: BC 450\*456\*70 TANK SIZE: 466\*85  
 CARTON:  
 OEM:  
 DPI:

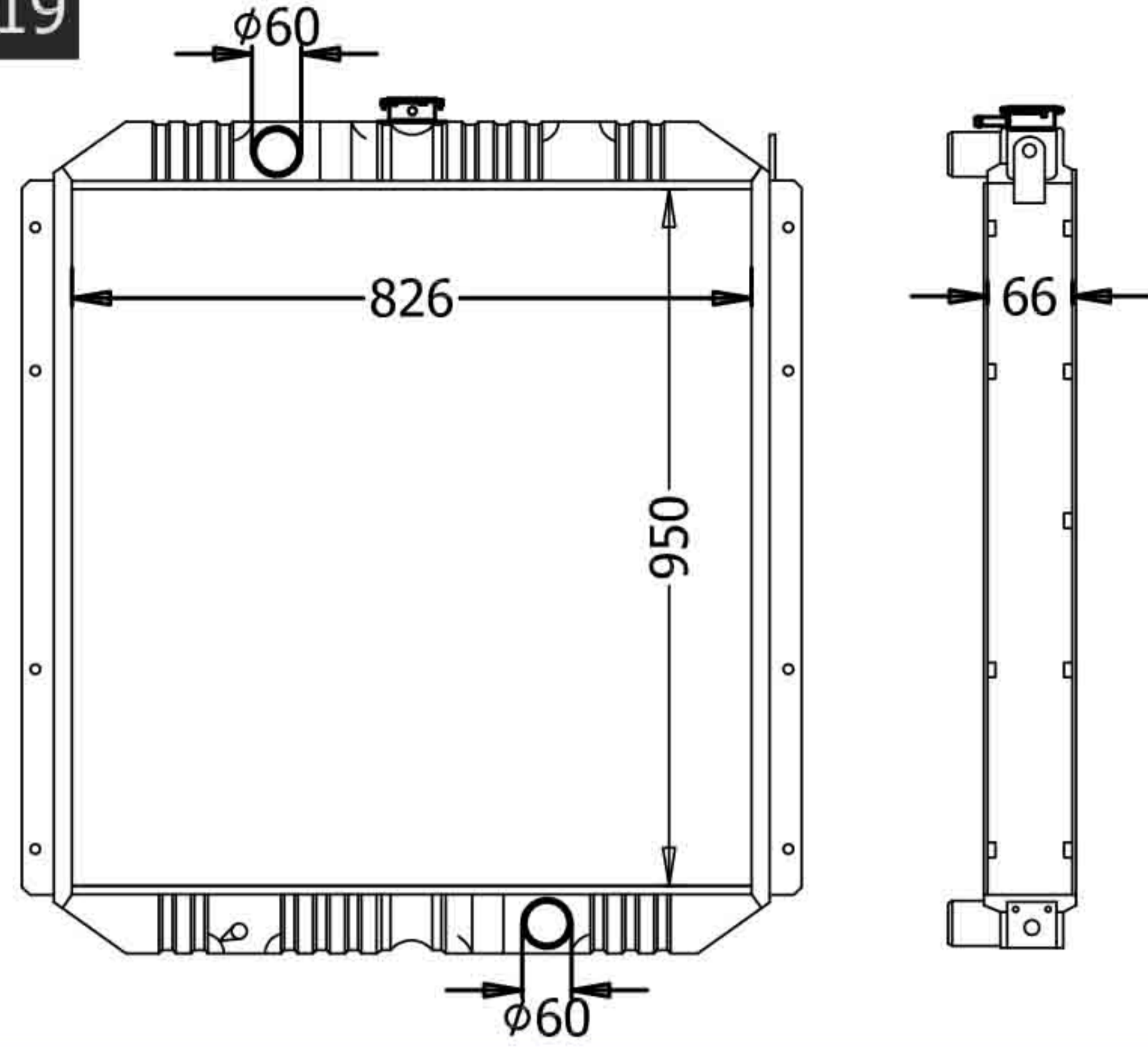
**FORK-63018**



CARTYPE:  
 CORE SIZE: BC :820\*750\*55 TANK SIZE: 760\*100  
 CARTON:  
 OEM:  
 DPI:

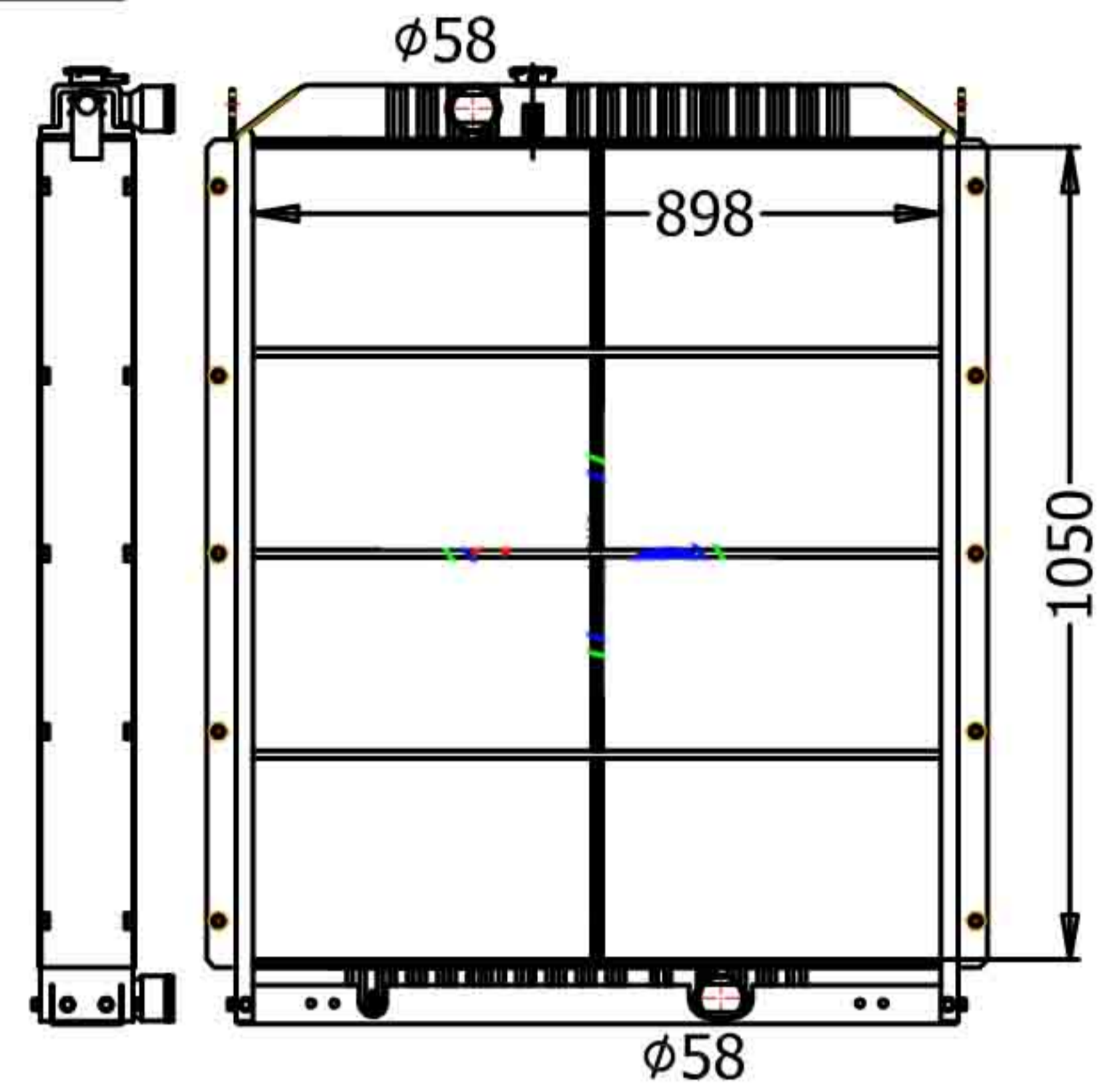
# FORK

**FORK-63019**



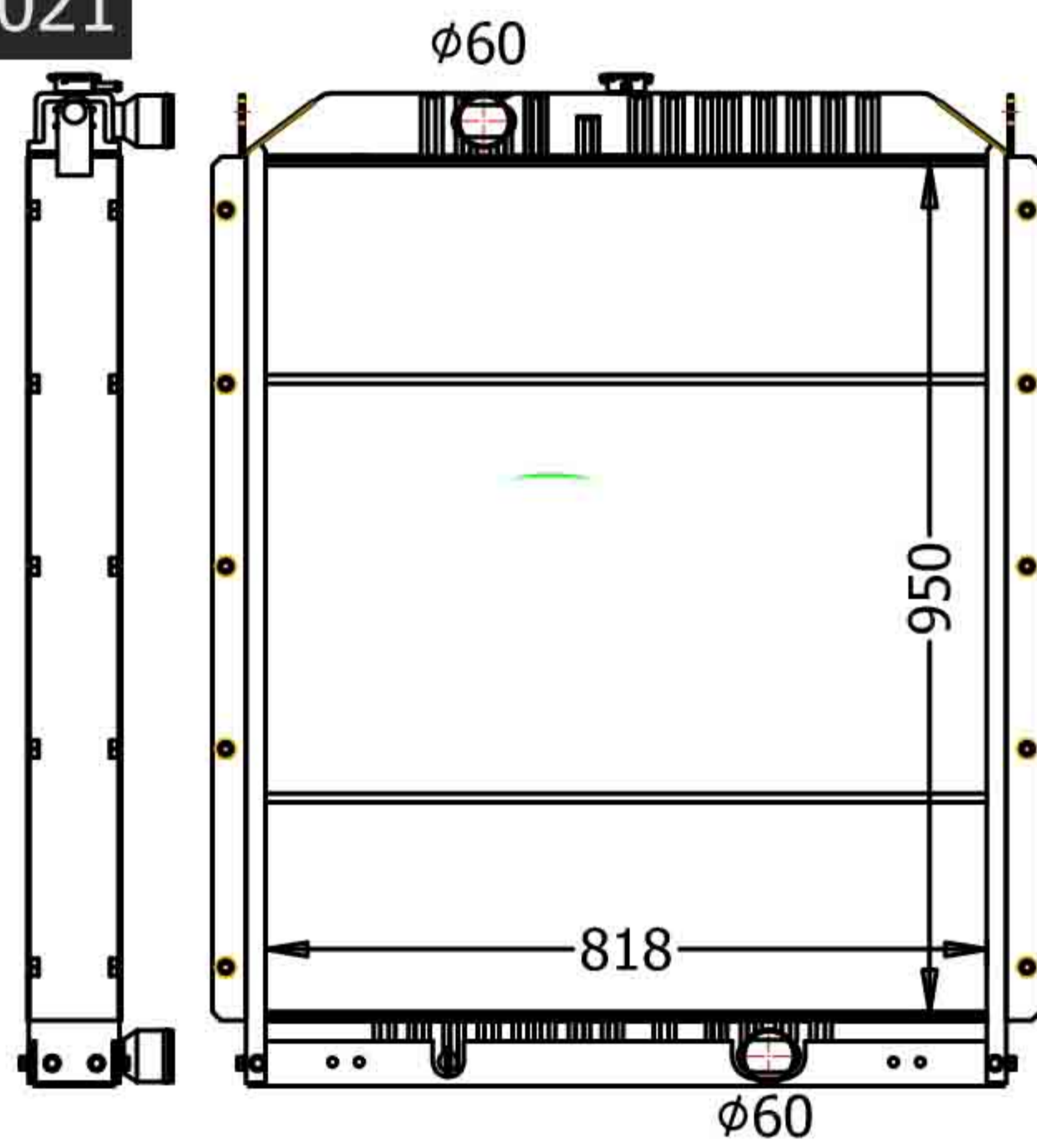
CARTYPE: KOMATSU  
 CORE SIZE: BC :950\*826\*66 TANK SIZE:  
 CARTON:  
 OEM: 208-03-51111  
 DPI:

**FORK-63020**



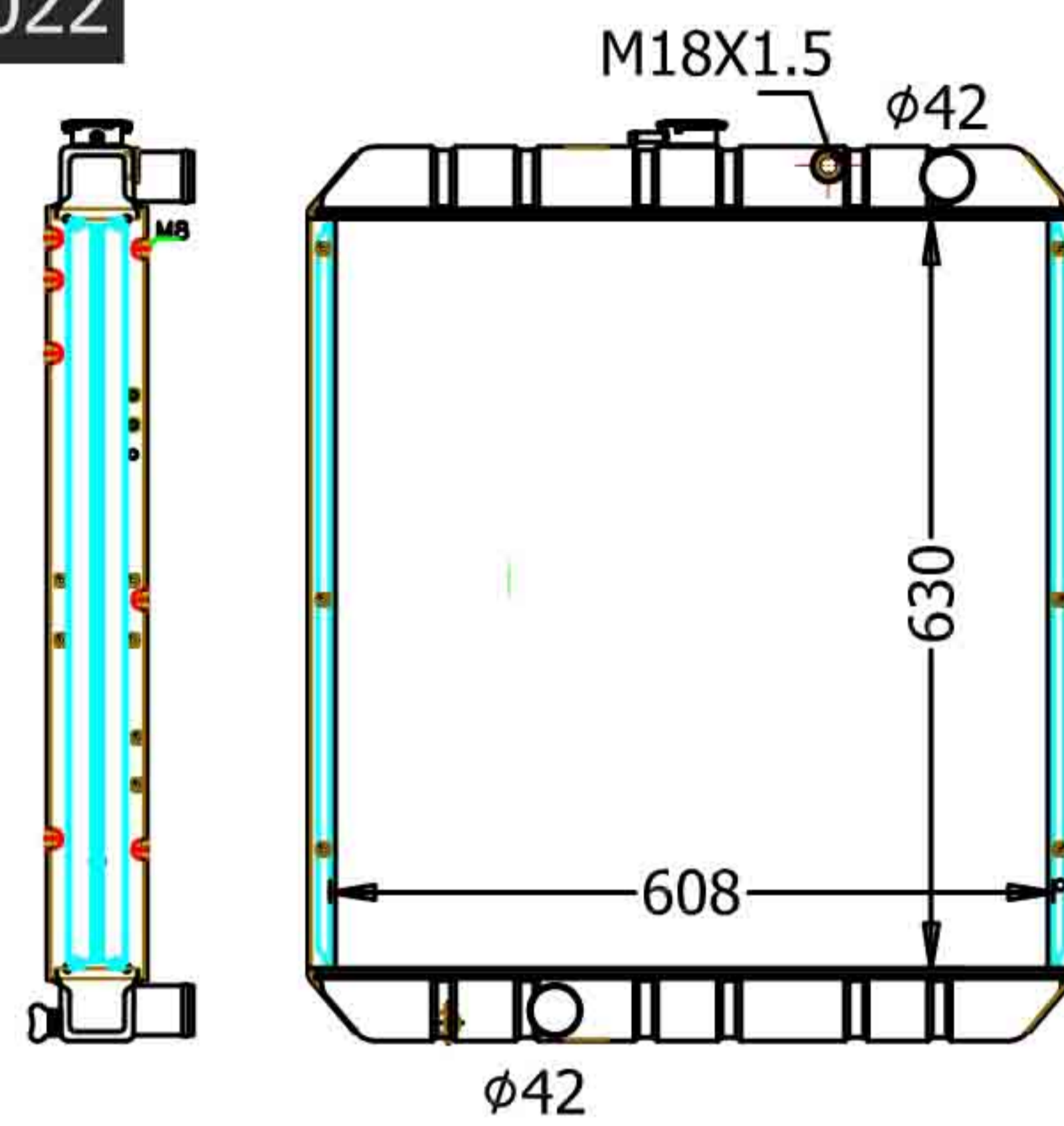
CARTYPE: HITACHI 450 HOOK MACKINE(日立450勾机) MT  
 CORE SIZE: BC :1050\*898\*81 TANK SIZE: 915\*95  
 CARTON:  
 OEM:  
 DPI:

**FORK-63021**



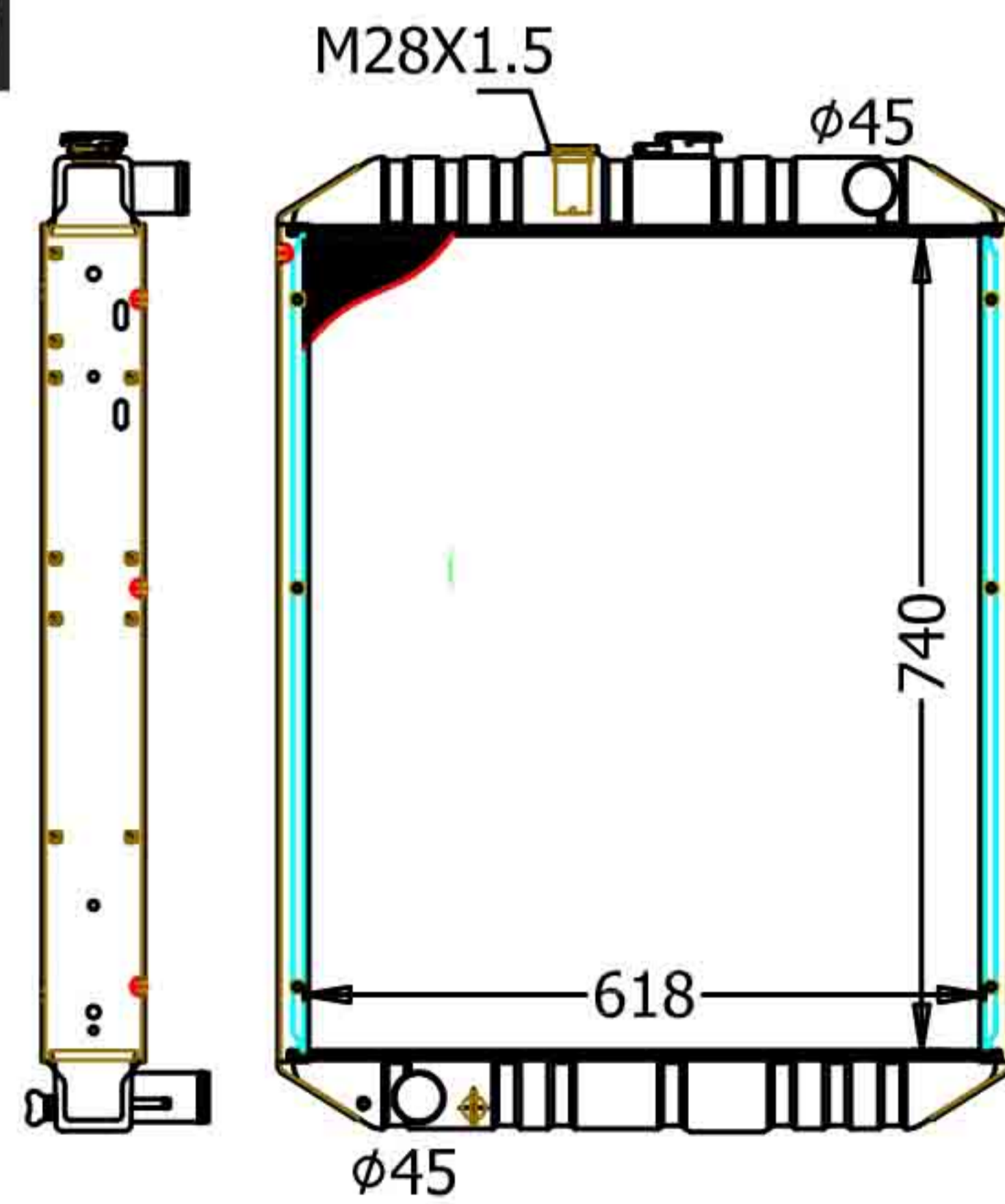
CARTYPE: 950勾机  
 CORE SIZE: BC :950\*818\*64 TANK SIZE: 835\*95  
 CARTON:  
 OEM:  
 DPI:

**FORK-63022**



CARTYPE:  
 CORE SIZE: BC :630\*608\*49 TANK SIZE: 630\*69  
 CARTON:  
 OEM:  
 DPI:

**FORK-63023**

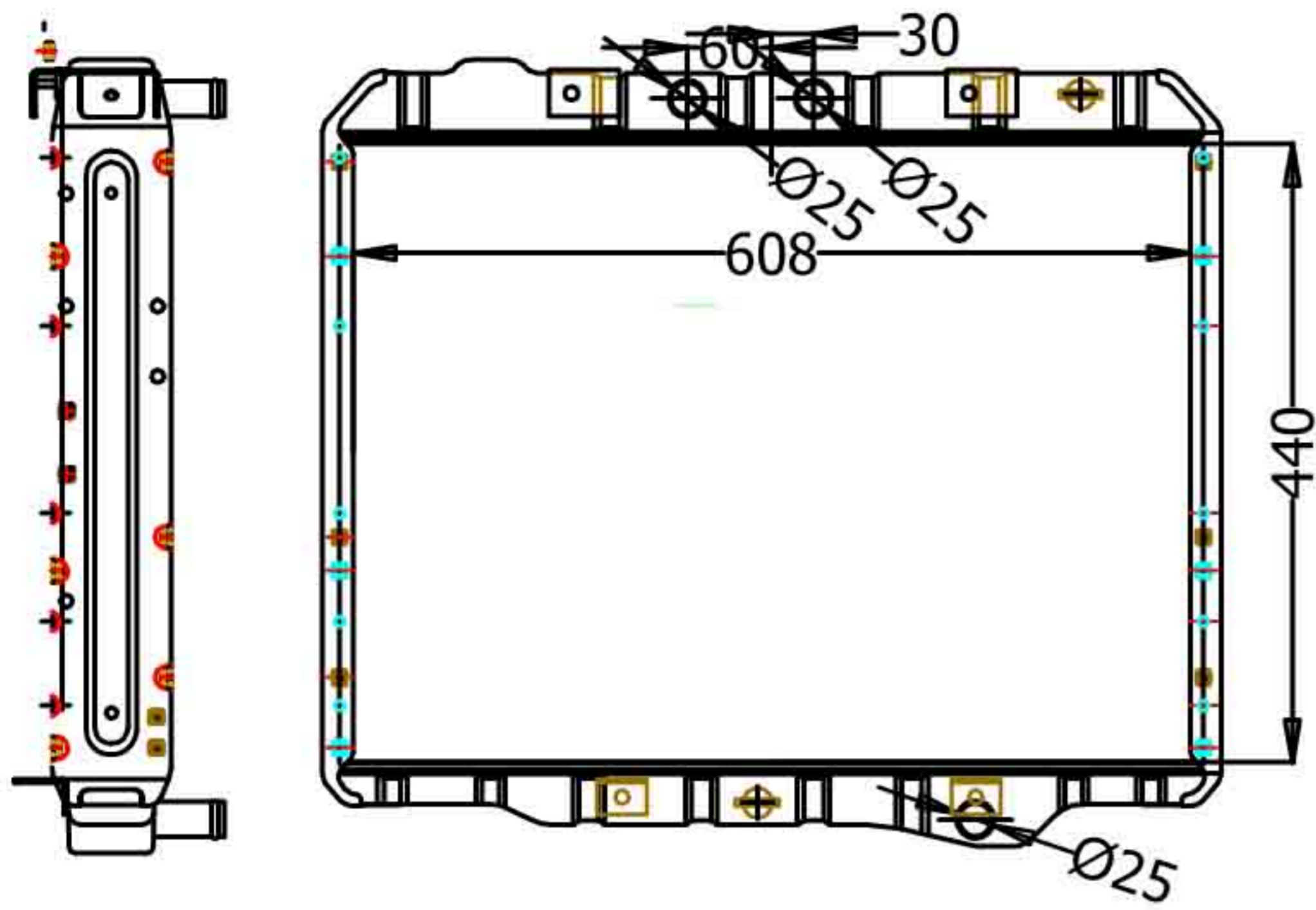


CARTYPE:  
 CORE SIZE: BC :740\*618\*64 TANK SIZE: 645\*78  
 CARTON:  
 OEM:  
 DPI:

**FORK-63024**

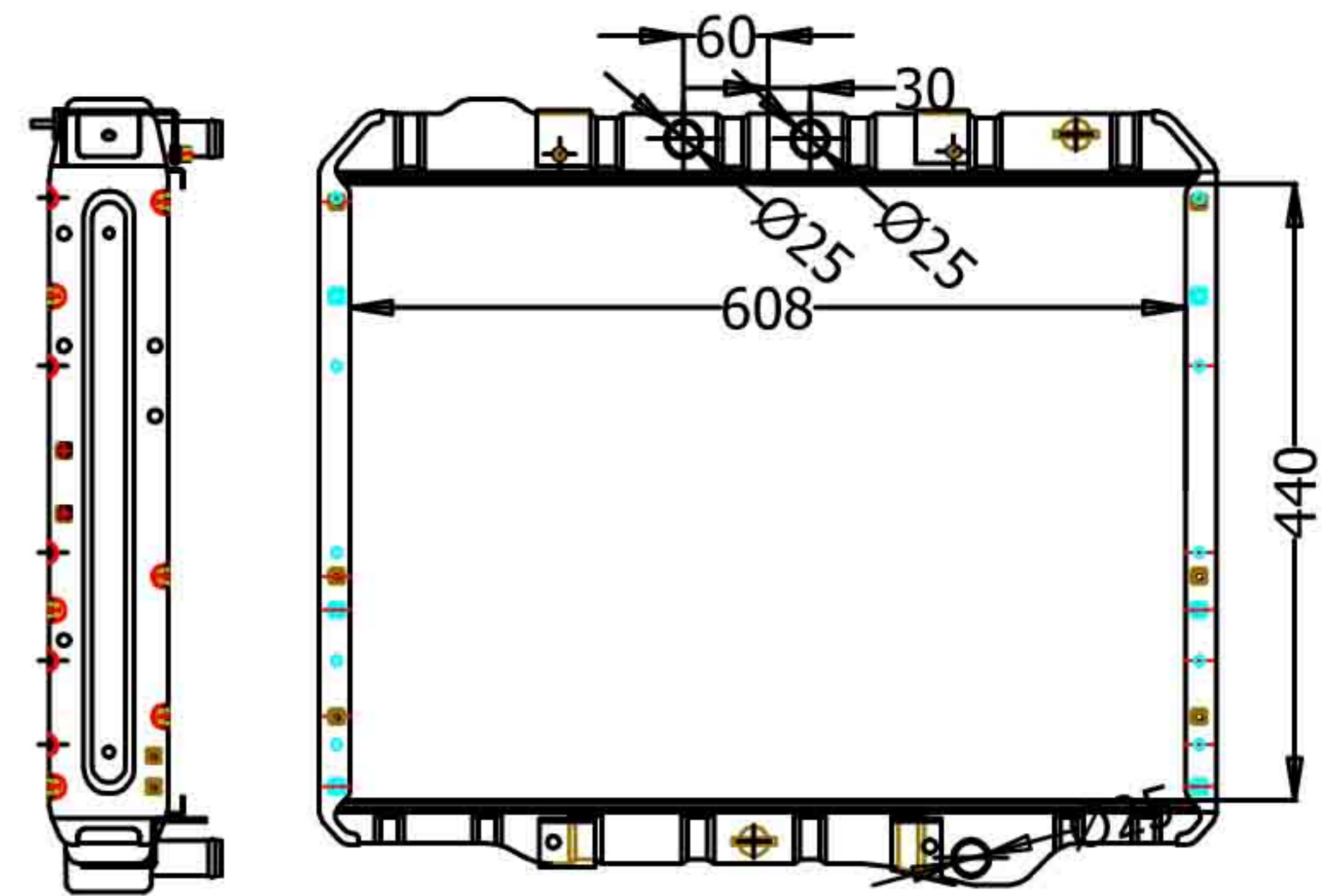
# GENERATOR

**GE-80001**



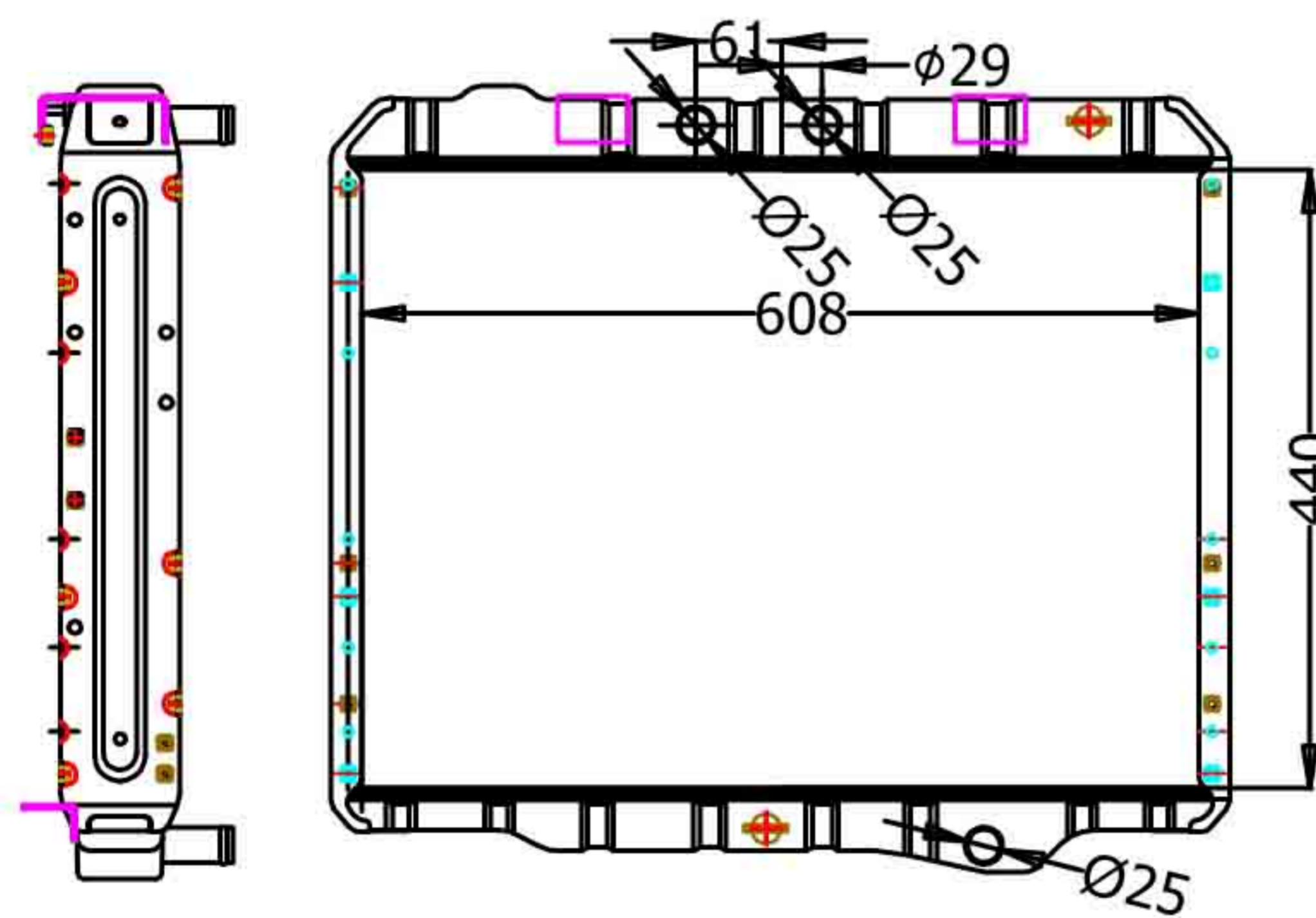
CARTYPE: GENERATOR(发电机) MT  
 CORE SIZE: BC 440\*608\*49 TANK SIZE: 630\*69  
 CARTON:  
 OEM:  
 DPI:

**GE-80002**



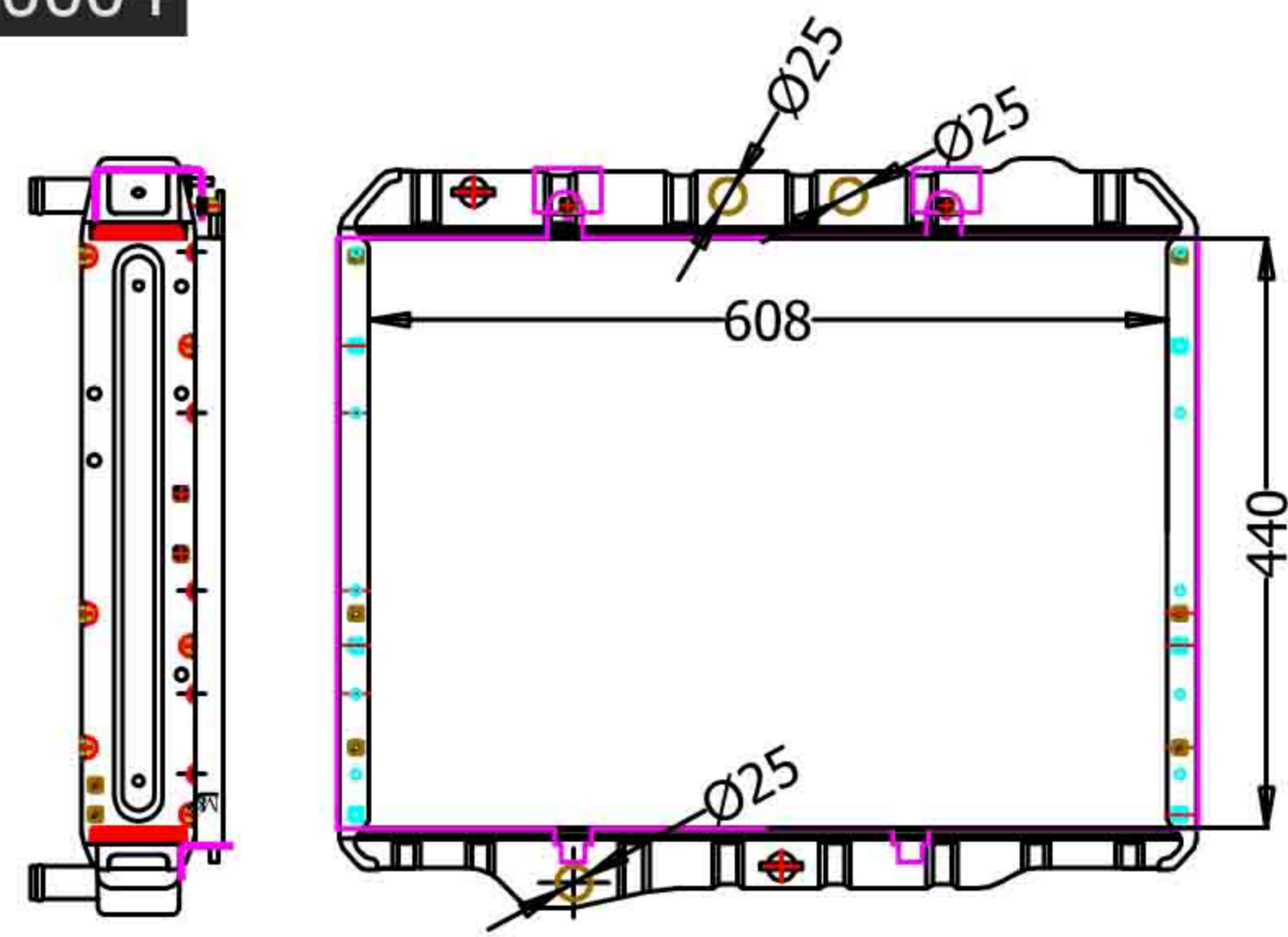
CARTYPE: GENERATOR(发电机) MT  
 CORE SIZE: BC 440\*608\*49 TANK SIZE: 630\*69  
 CARTON:  
 OEM:  
 DPI:

**GE-80003**



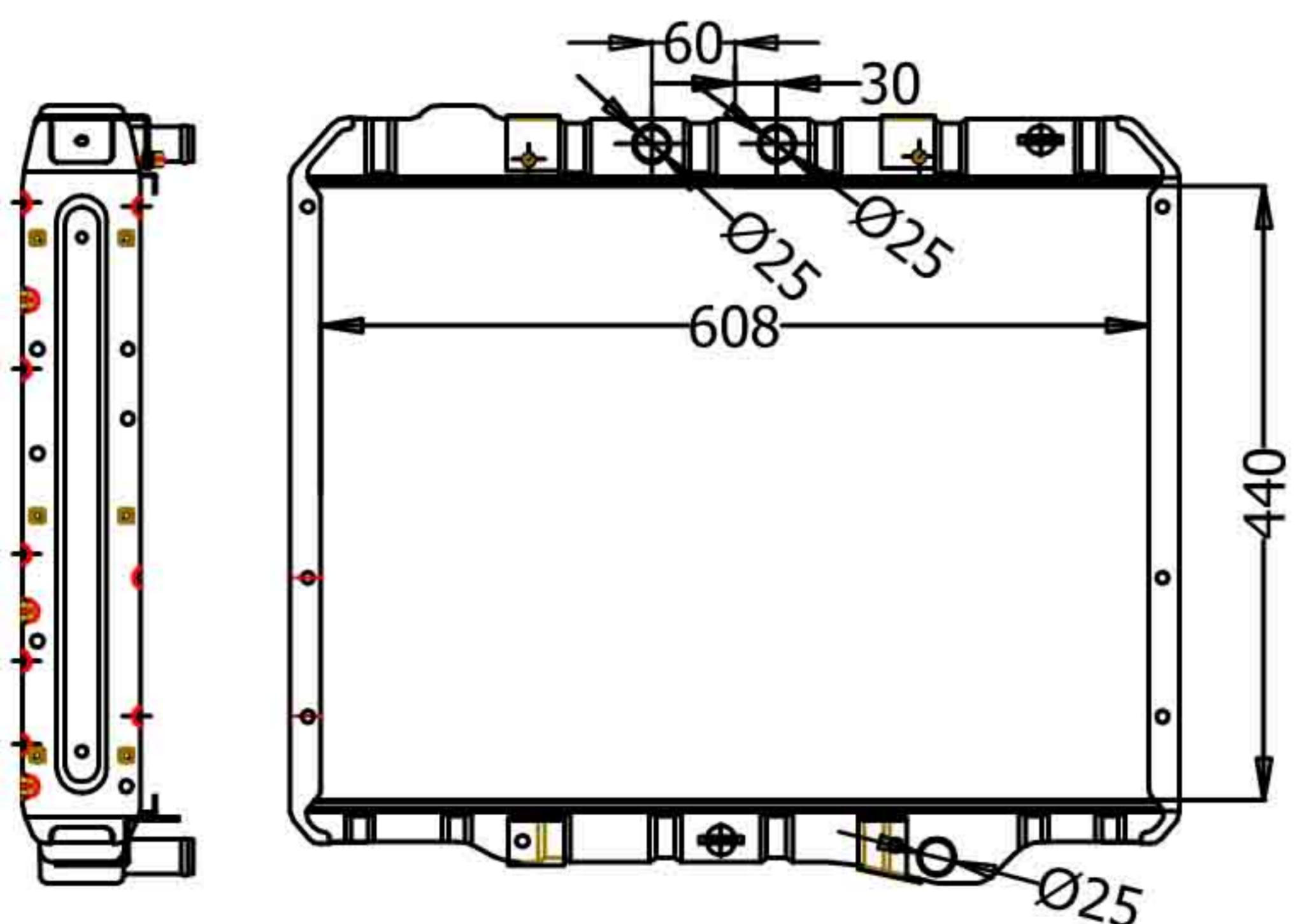
CARTYPE: GENERATOR(发电机) MT  
 CORE SIZE: BC 440\*608\*49 TANK SIZE: 630\*69  
 CARTON:  
 OEM:  
 DPI:

**GE-80004**



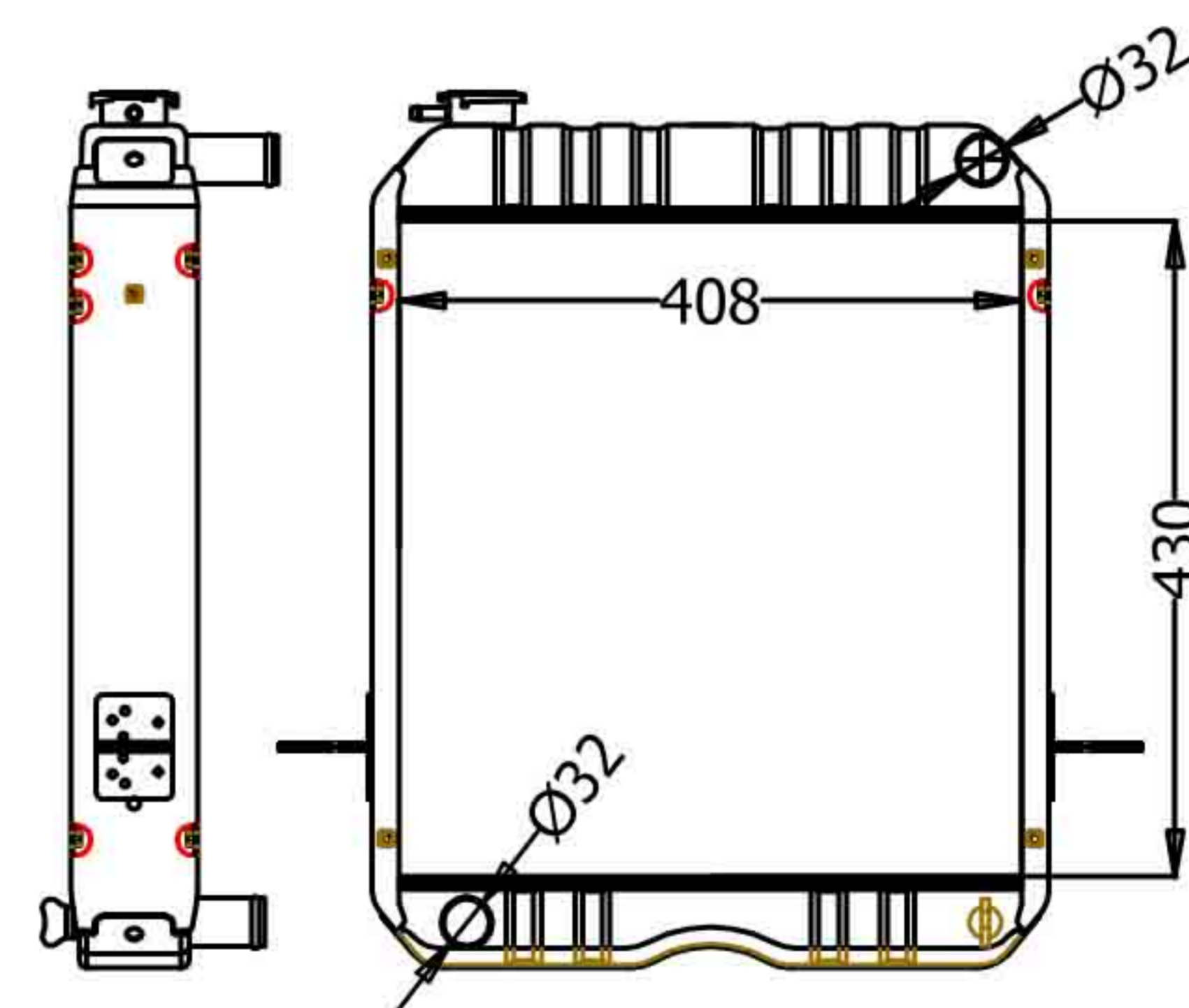
CARTYPE: GENERATOR(发电机) MT  
 CORE SIZE: BC 440\*608\*49 TANK SIZE: 630\*69  
 CARTON:  
 OEM:  
 DPI:

**GE-80005**



CARTYPE: GENERATOR(发电机) MT  
 CORE SIZE: BC 440\*608\*49 TANK SIZE: 630\*69  
 CARTON:  
 OEM:  
 DPI:

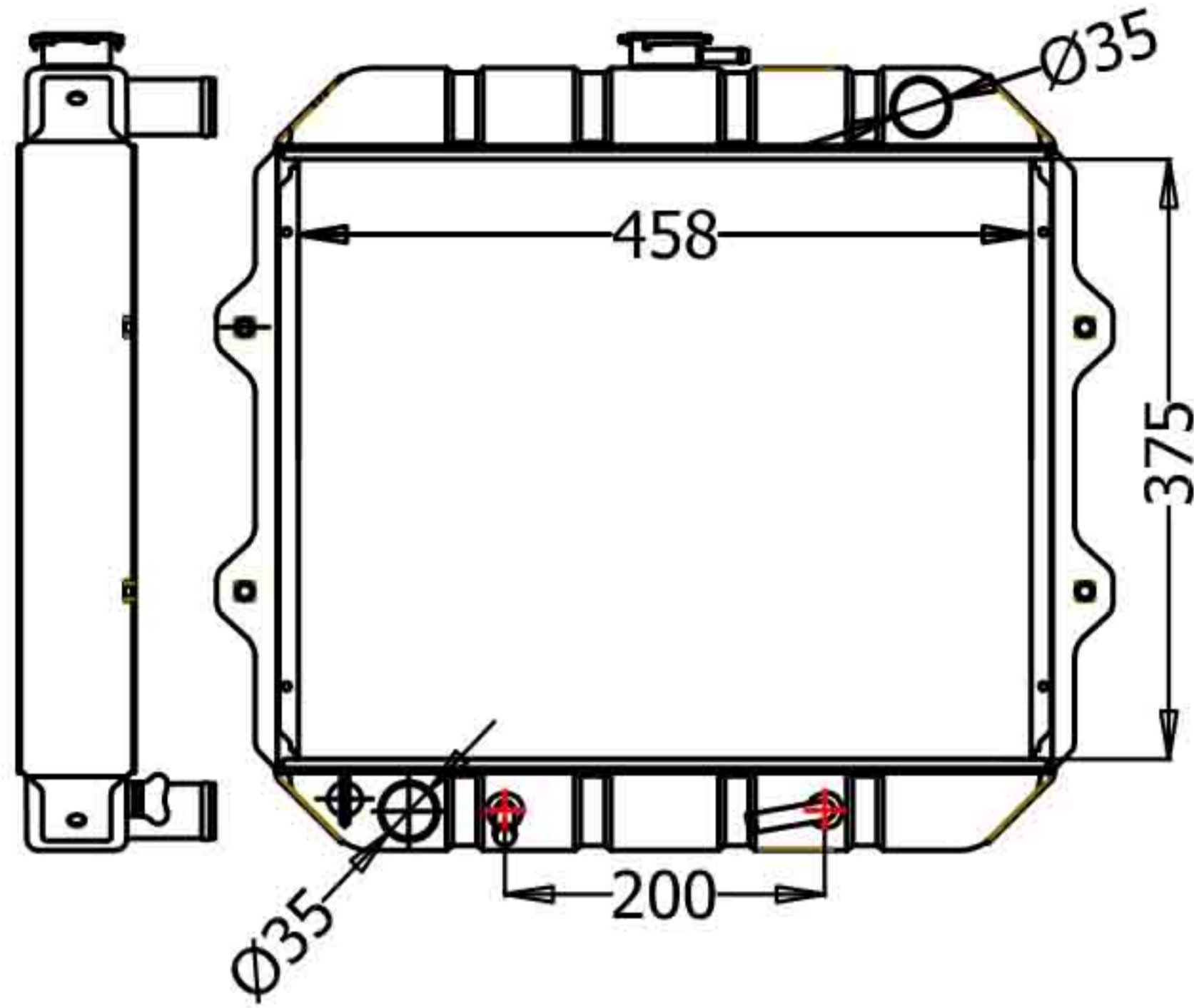
**GE-80006**



CARTYPE: SHEN ZHEN GENERATOR (深圳发电机) MT  
 CORE SIZE: BC 430\*408\*64 TANK SIZE: 435\*77  
 CARTON:  
 OEM:  
 DPI:

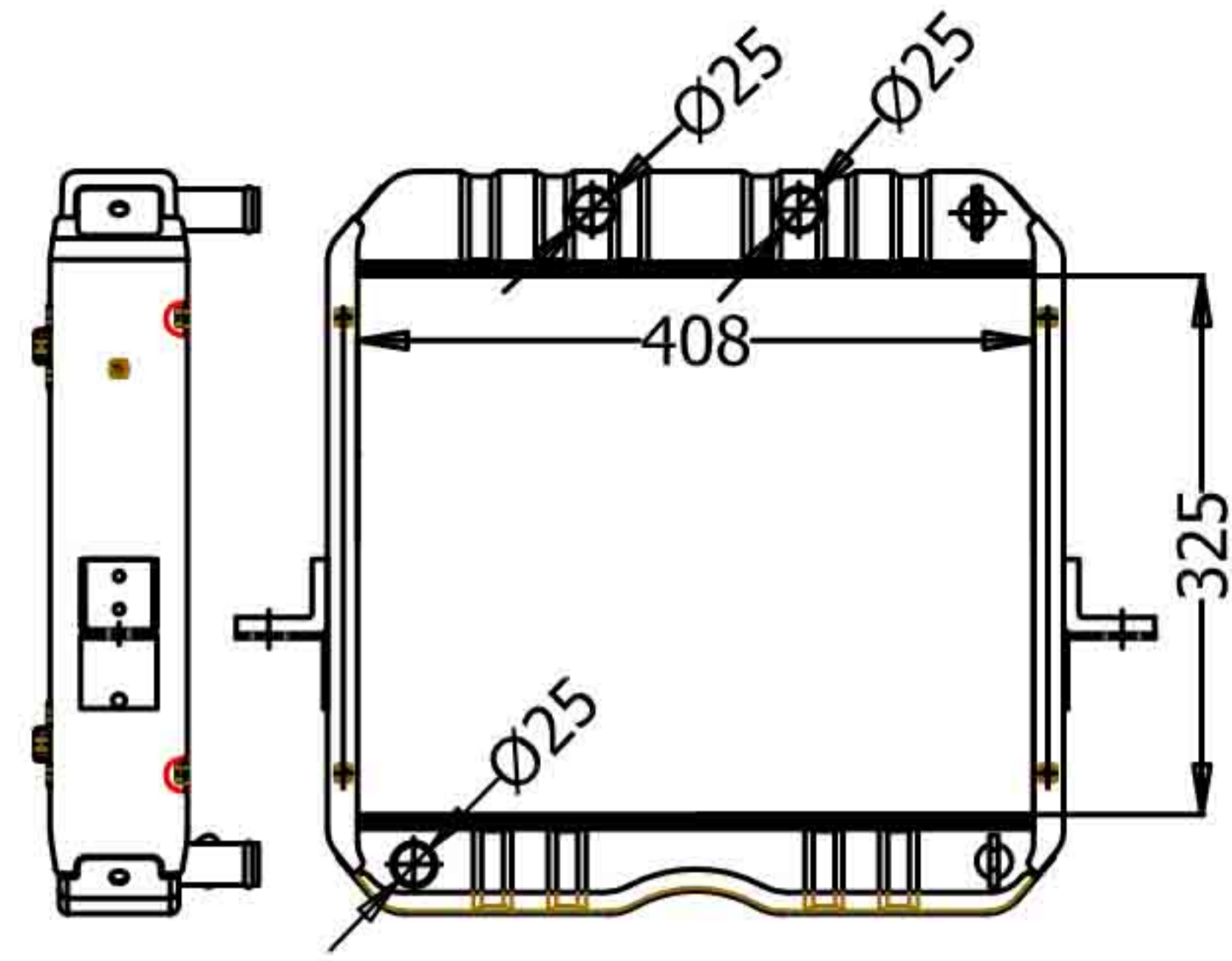
# GENERATOR

GE-80007



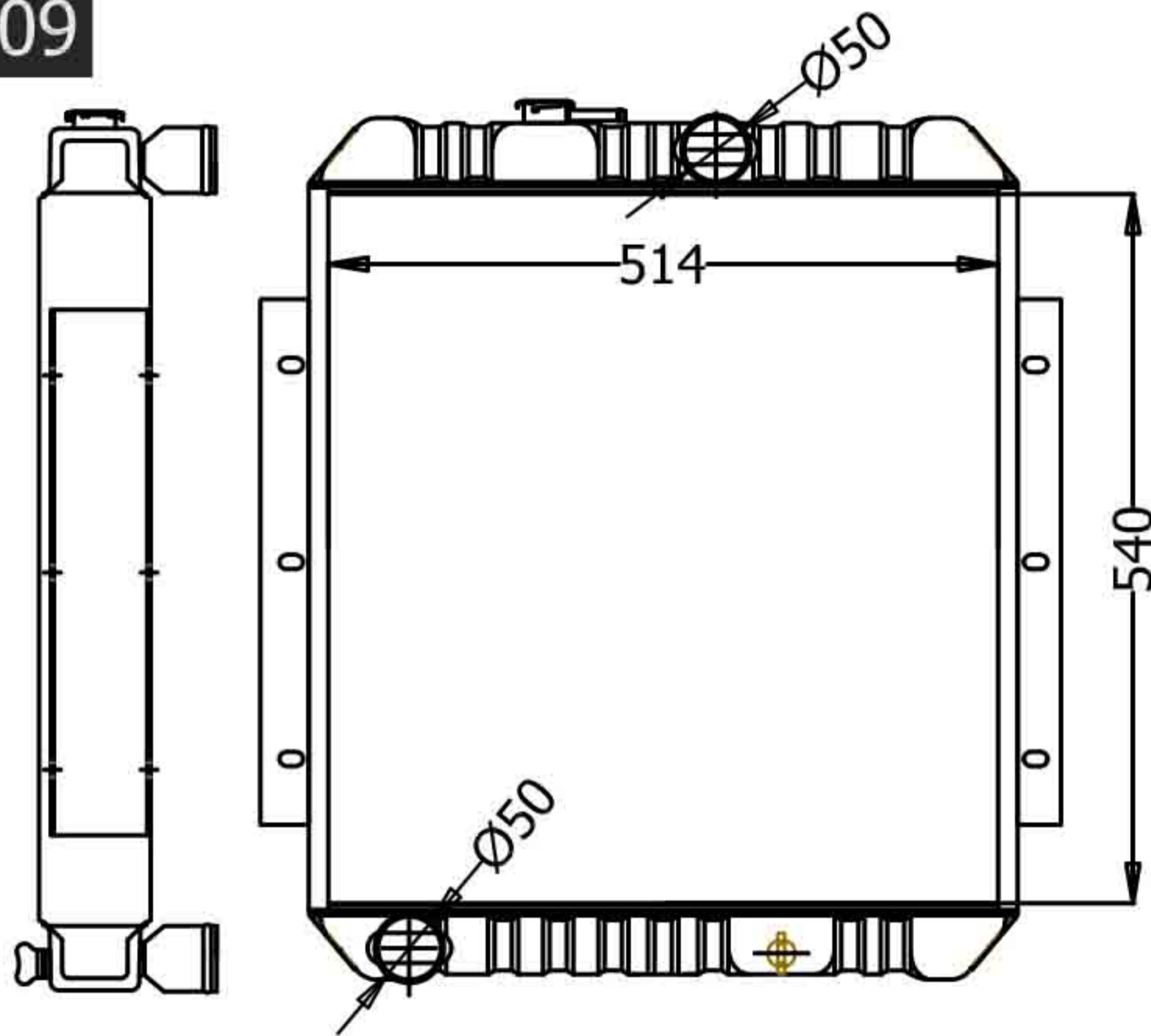
CARTYPE: TOYOTA RA-18 GENERATOR (RA-18发电机) AT  
 CORE SIZE: BC 375\*458\*49 TANK SIZE: 476\*70  
 CARTON:  
 OEM:  
 DPI:

GE-80008



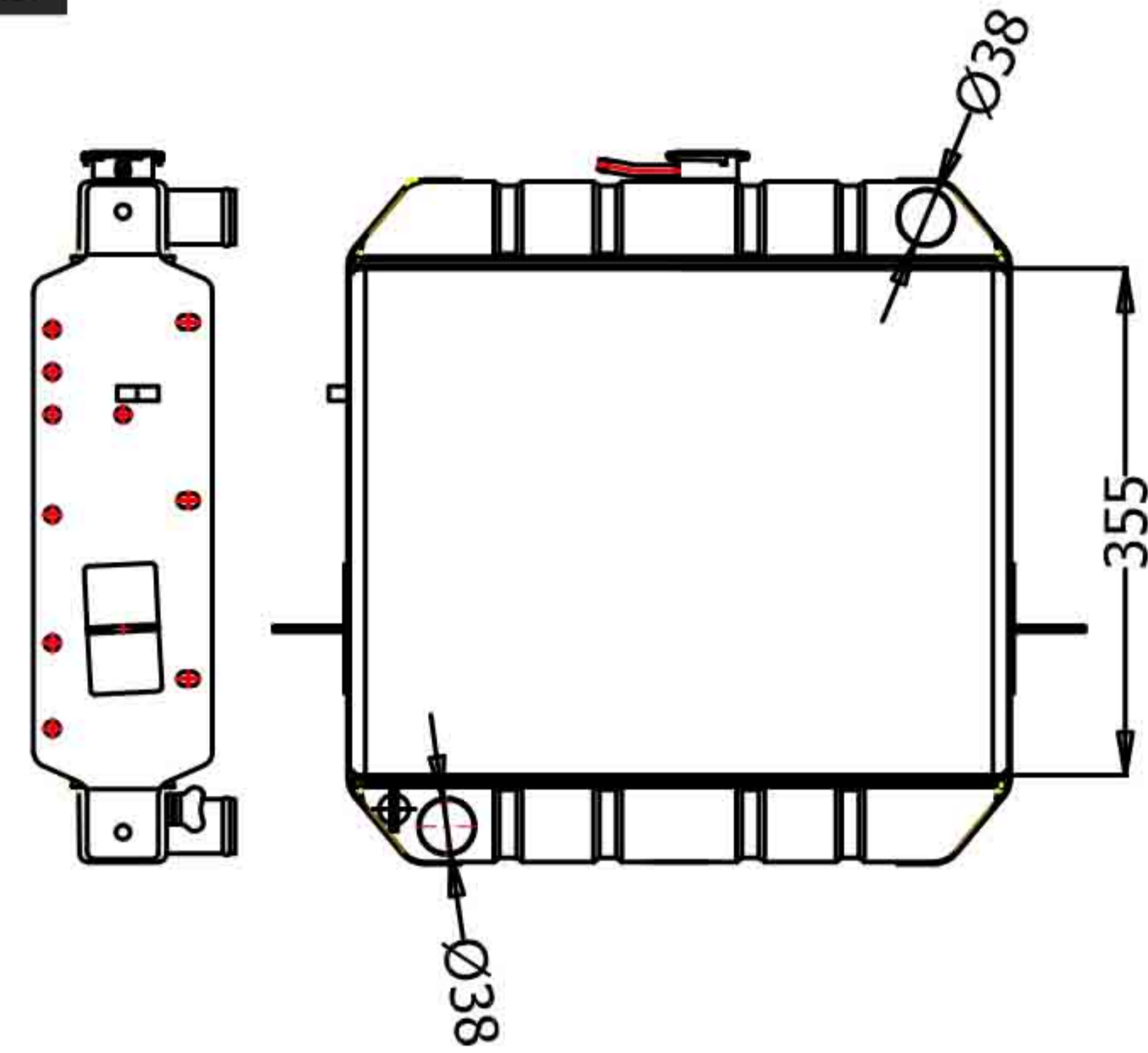
CARTYPE: SMALL GENERATOR(小发电机) MT  
 CORE SIZE: BC 325\*408\*64 TANK SIZE: 435\*77  
 CARTON:  
 OEM:  
 DPI:

GE-80009



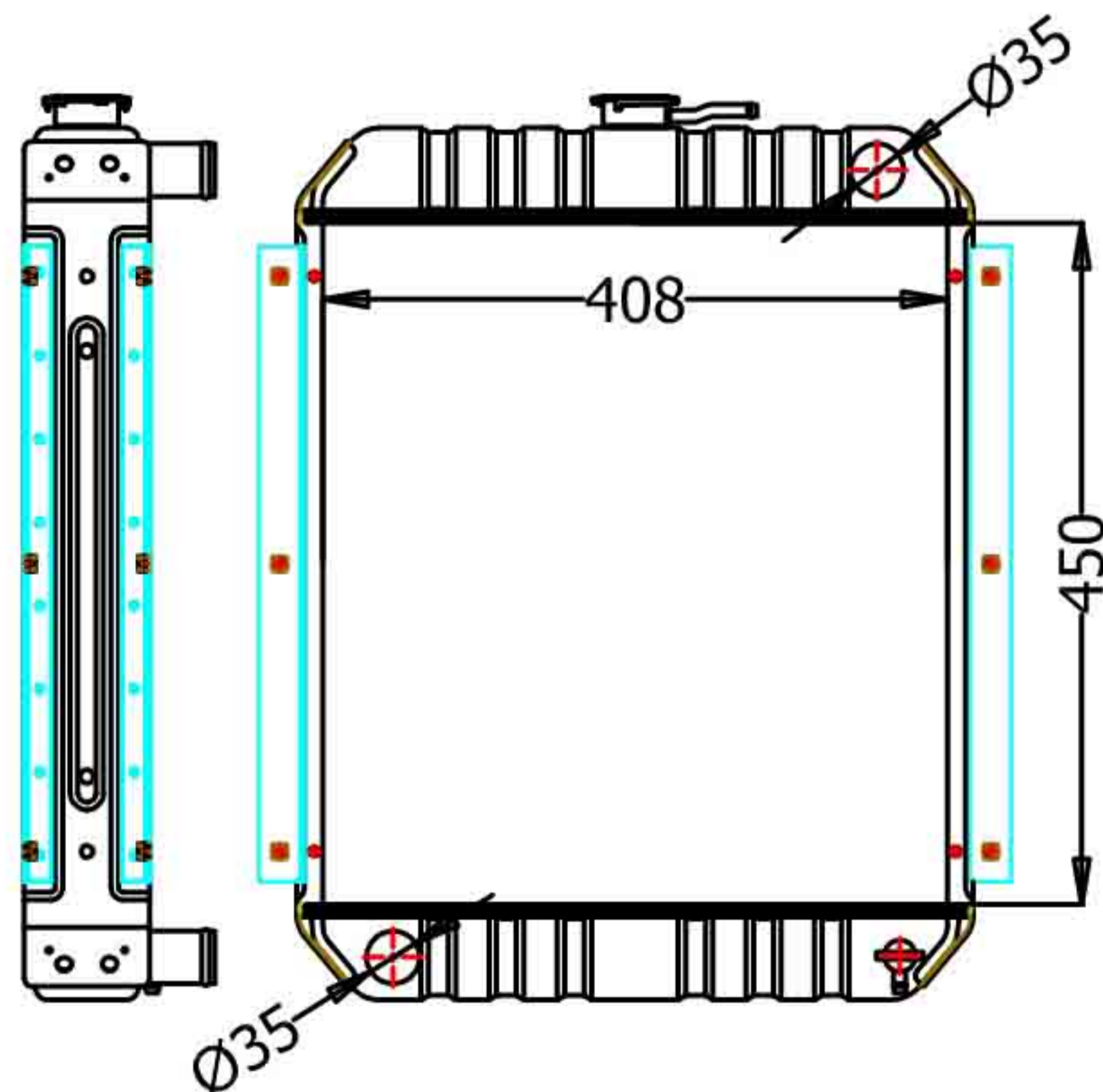
CARTYPE: 50KW GENERATOR(5.0KW发电机) MT  
 CORE SIZE: BC 540\*514\*64 TANK SIZE: 528\*76  
 CARTON:  
 OEM:  
 DPI:

GE-80010



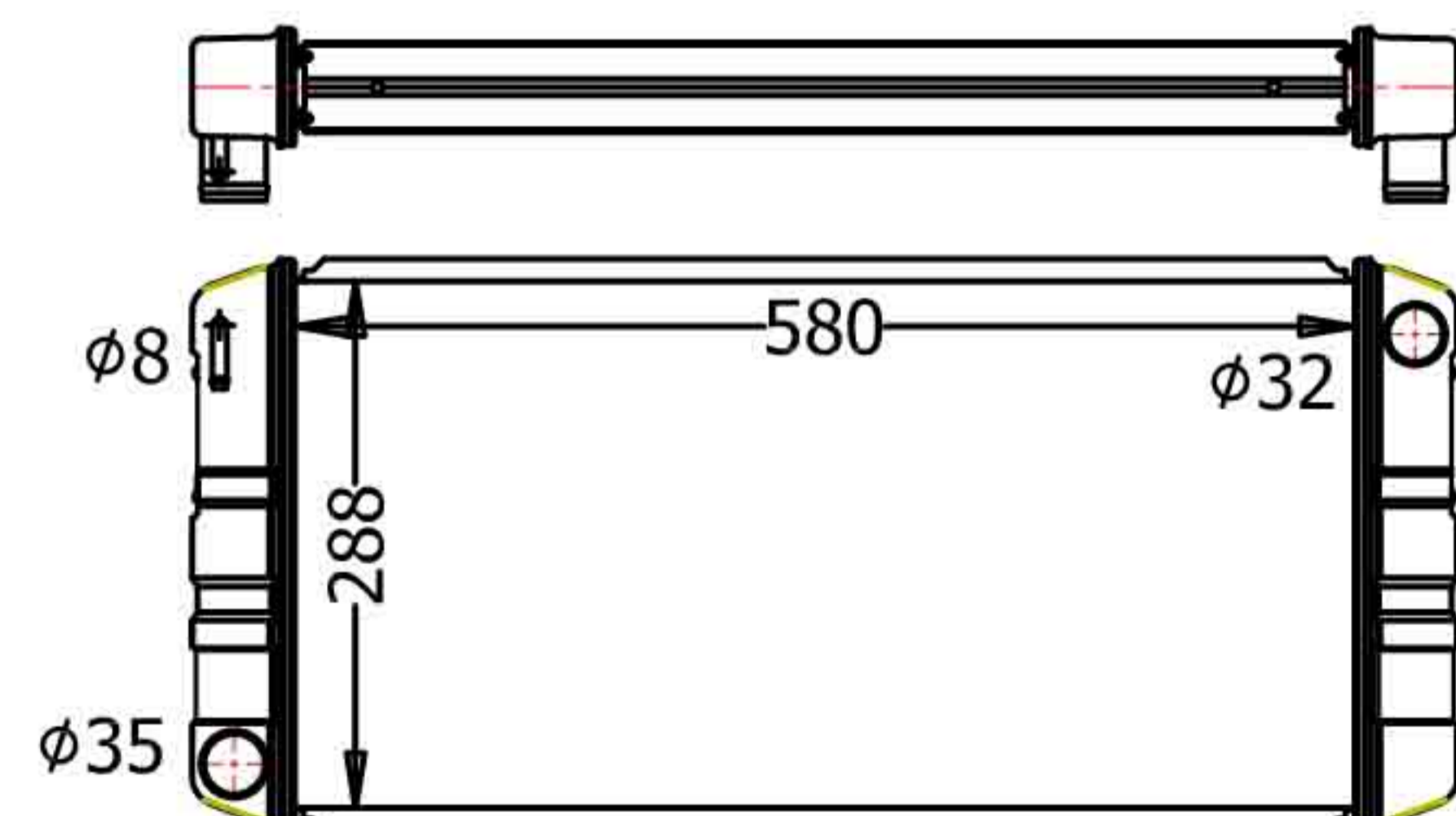
CARTYPE: CHAI480 GENERATOR(全柴480发电机) MT  
 CORE SIZE: BC 355\*? \*? TANK SIZE:  
 CARTON:  
 OEM:  
 DPI:

GE-80011



CARTYPE:450 CORE GENERATOR(450 芯高发电机) MT  
 CORE SIZE: BC 450\*408\*32 TANK SIZE: 435\*77  
 CARTON:  
 OEM:  
 DPI:

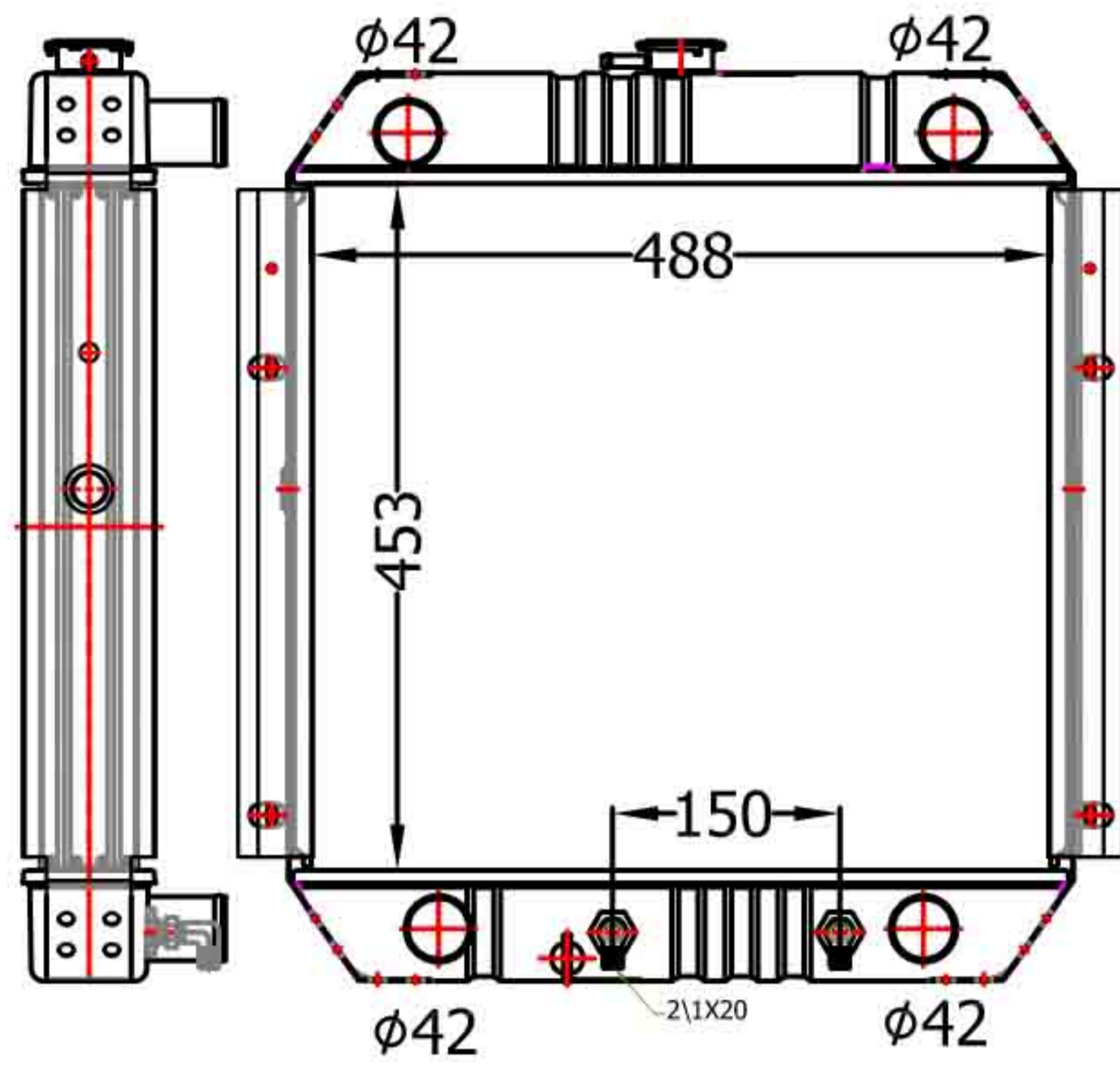
GE-80012



CARTYPE : MT  
 CORE SIZE : BC : 580x288x49 TANK SIZE :310x62  
 CORE SIZE :  
 OEM :  
 DPI :

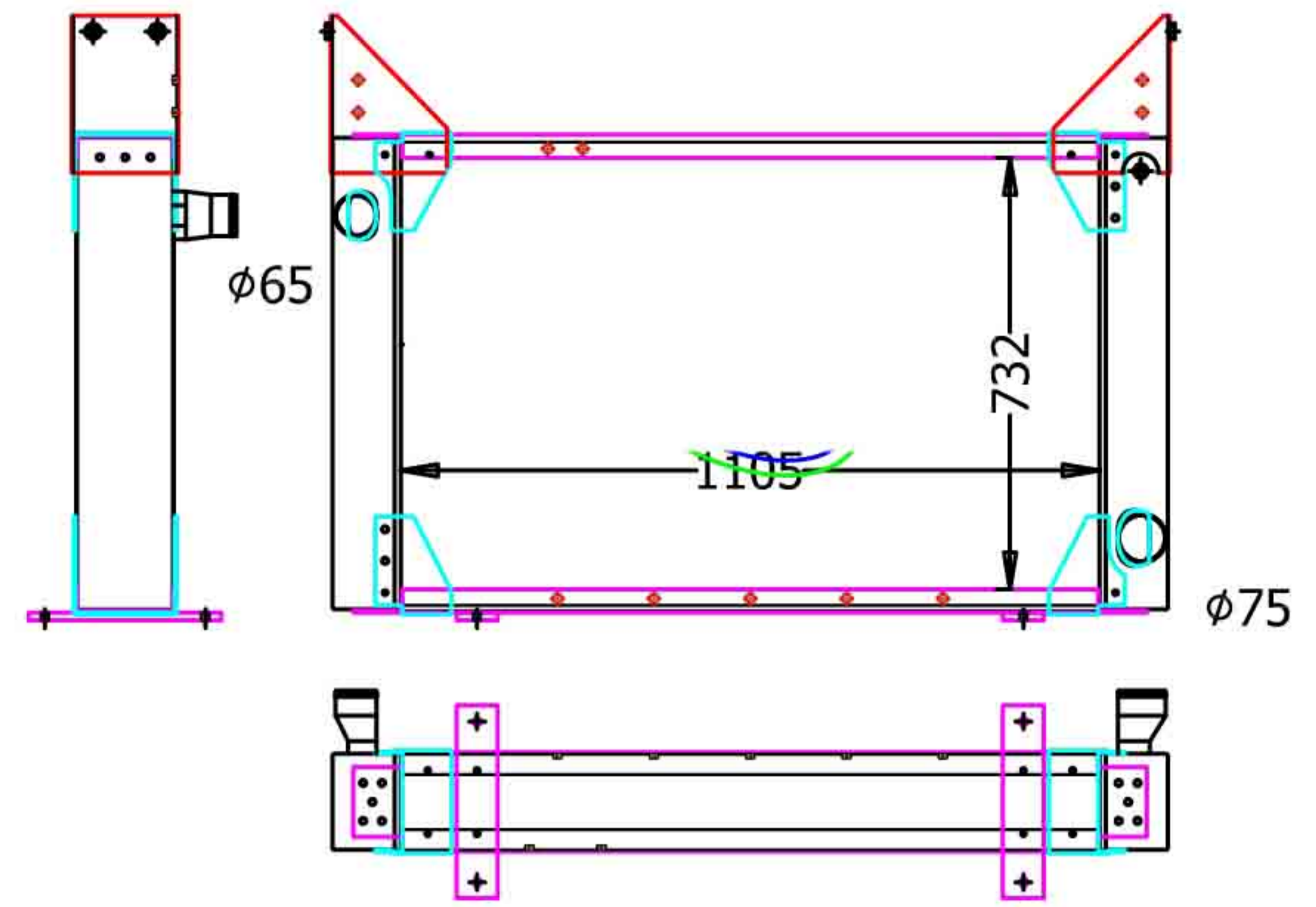
# GENERATOR

GE-80013



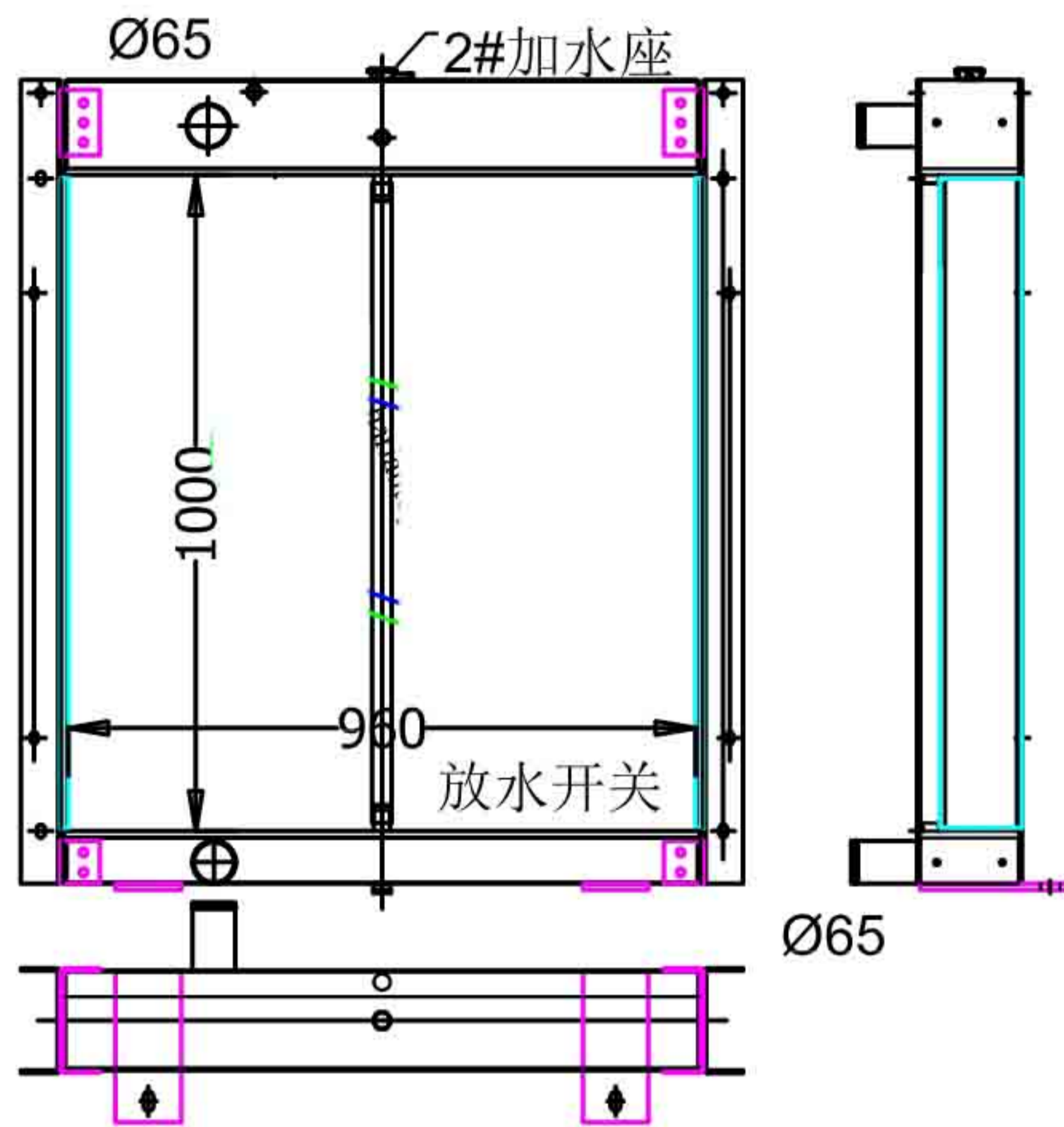
CARTYPE : MP001 MT  
 CORE SIZE : BC : 453x488x64 TANK SIZE : 610x85  
 CARTON :  
 OEM :  
 DPI :

GE-80014



CARTYPE : 61385全铜水箱  
 CORE SIZE : BC : 1105\*732\*87 TANK SIZE : 745\*152  
 CARTON :  
 OEM :  
 DPI :

GE-80015



CARTYPE : 60594全铜水箱  
 CORE SIZE : BC : 1000\*960\*108 TANK SIZE : 965\*150  
 CARTON :  
 OEM :  
 DPI :

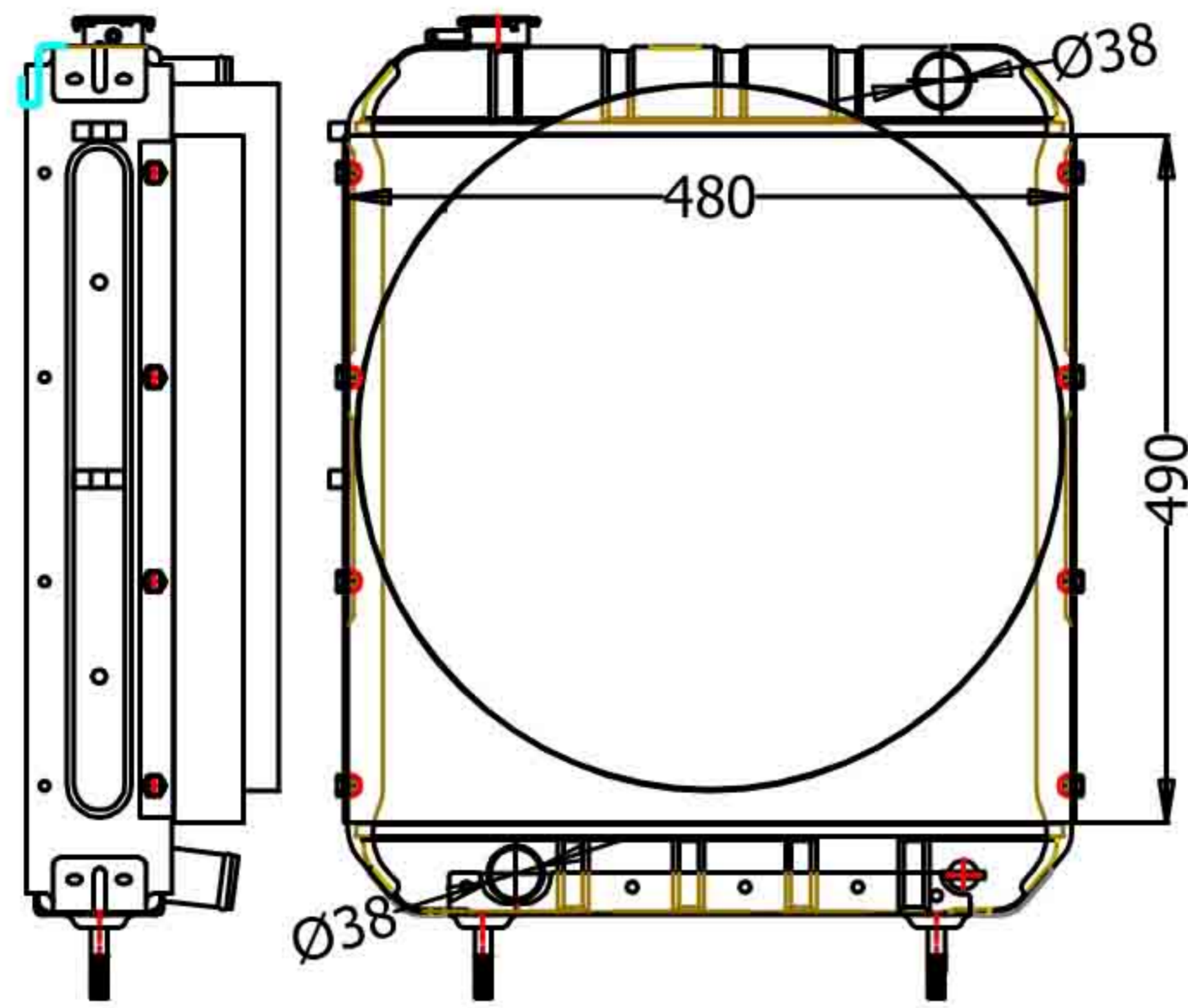
GE-80016

GE-80017

GE-80018

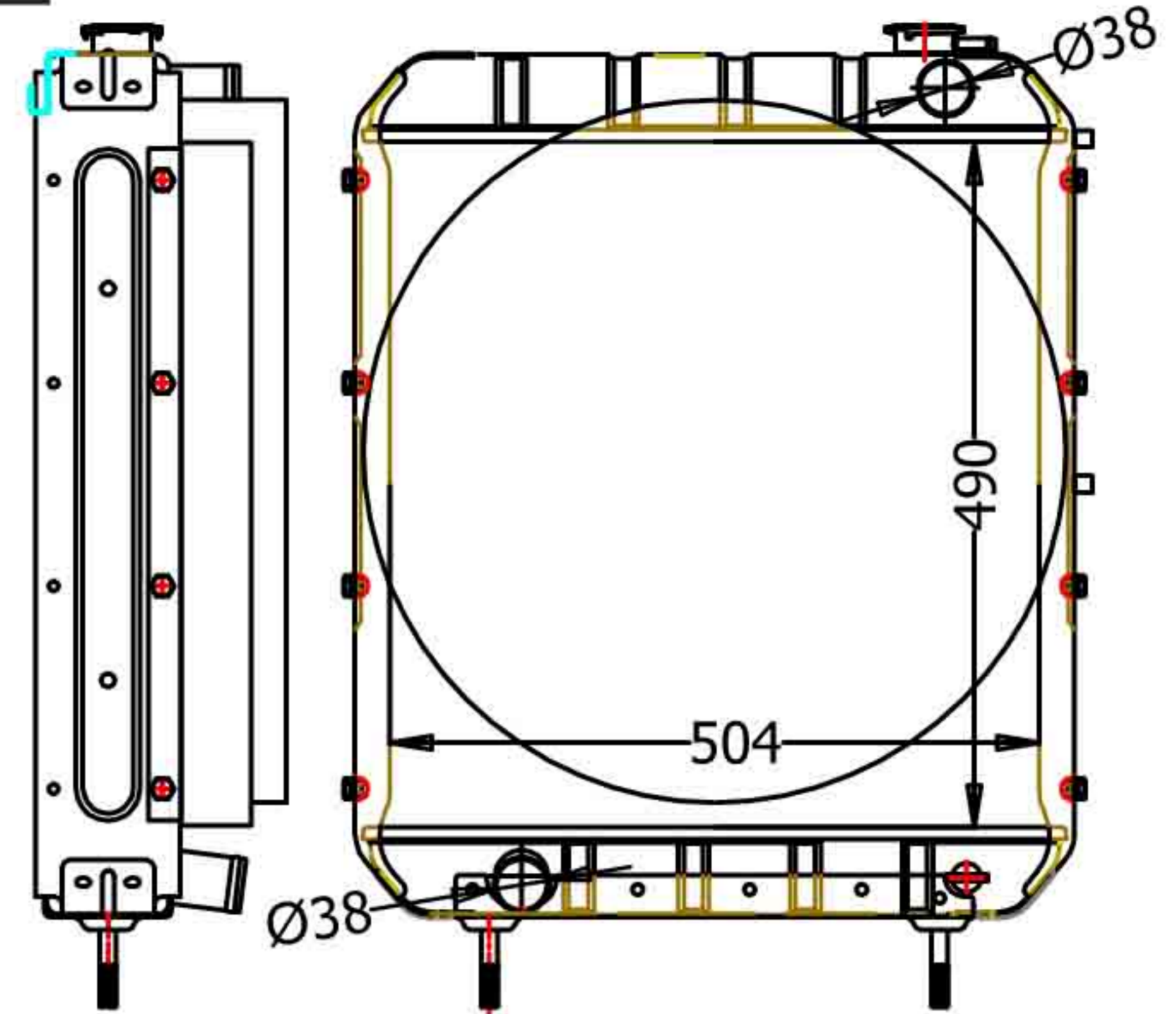
# HARVESTER

HA-90001



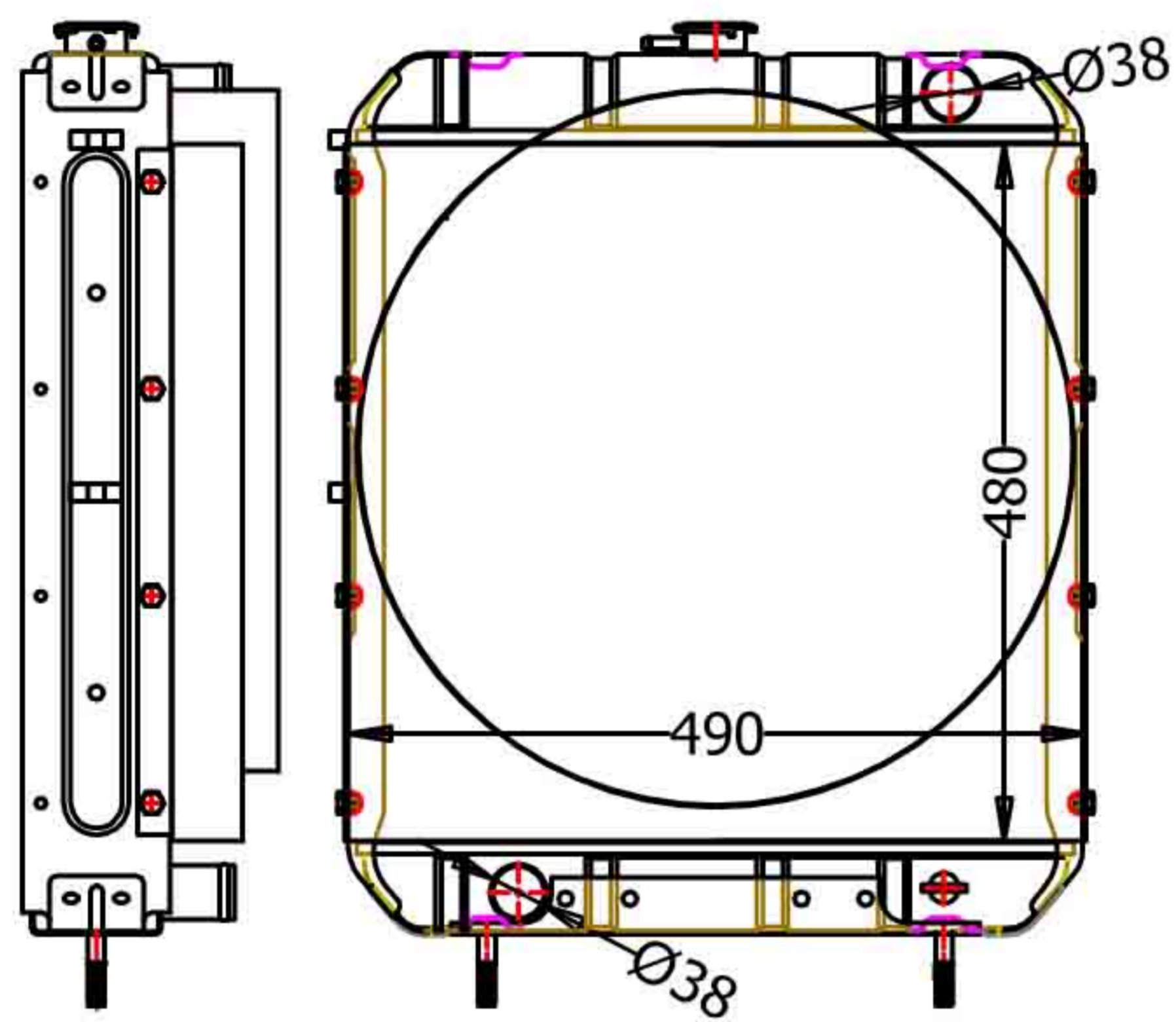
CARTYPE: HARVESTER 1 (收割机1#) MT  
 CORE SIZE: BC 490\*480\*87 TANK SIZE: 500\*95  
 CARTON:  
 OEM:  
 DPI:

HA-90002



CARTYPE: HARVESTER (收割机) MT  
 CORE SIZE: BC 490\*504\*87 TANK SIZE: 500\*95  
 CARTON:  
 OEM:  
 DPI:

HA-90003



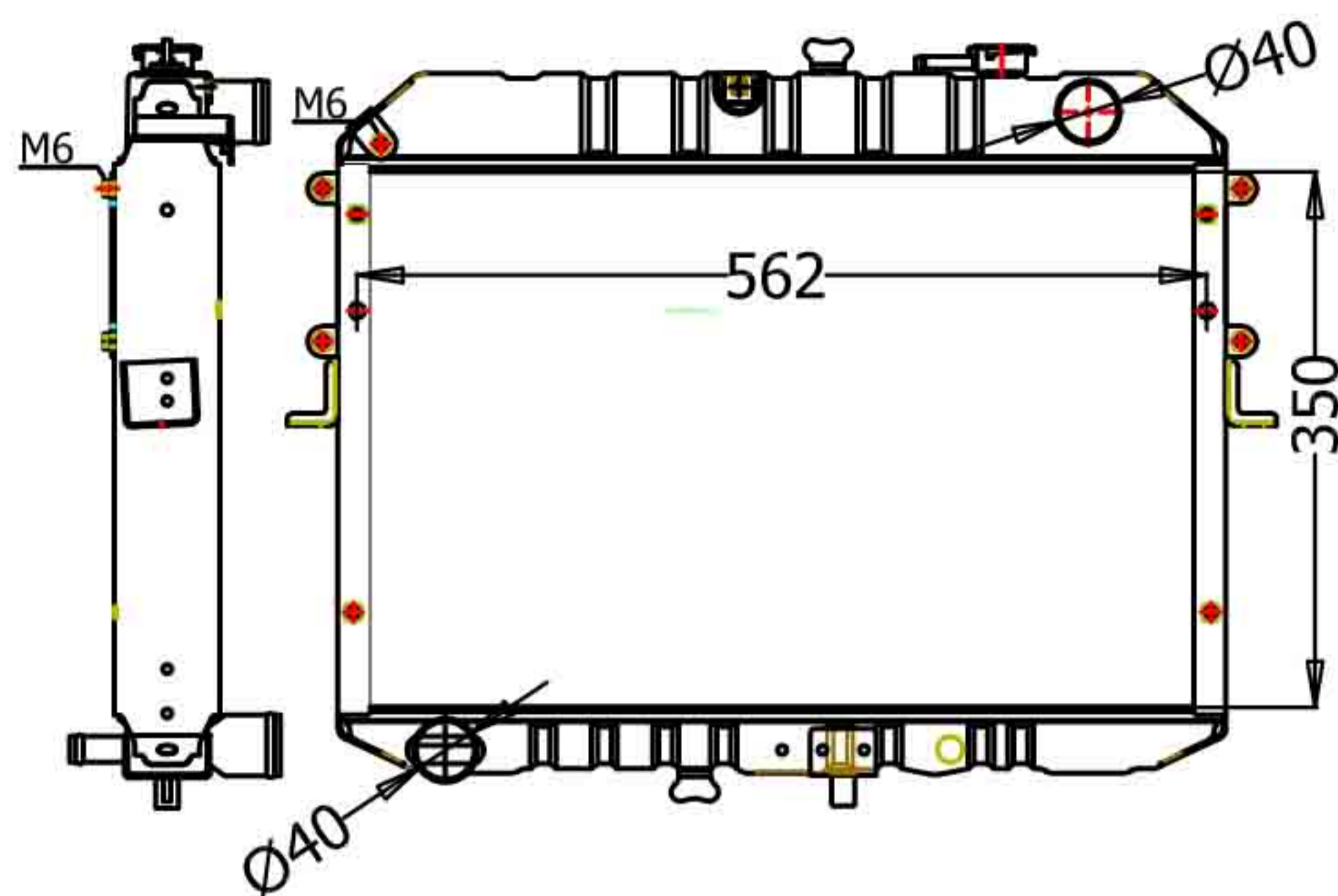
CARTYPE: HARVESTER (3改收割机1#) MT  
 CORE SIZE: BC 490\*480\*87 TANK SIZE: 499\*95  
 CARTON:  
 OEM:  
 DPI:

HA-90004

HA-90005

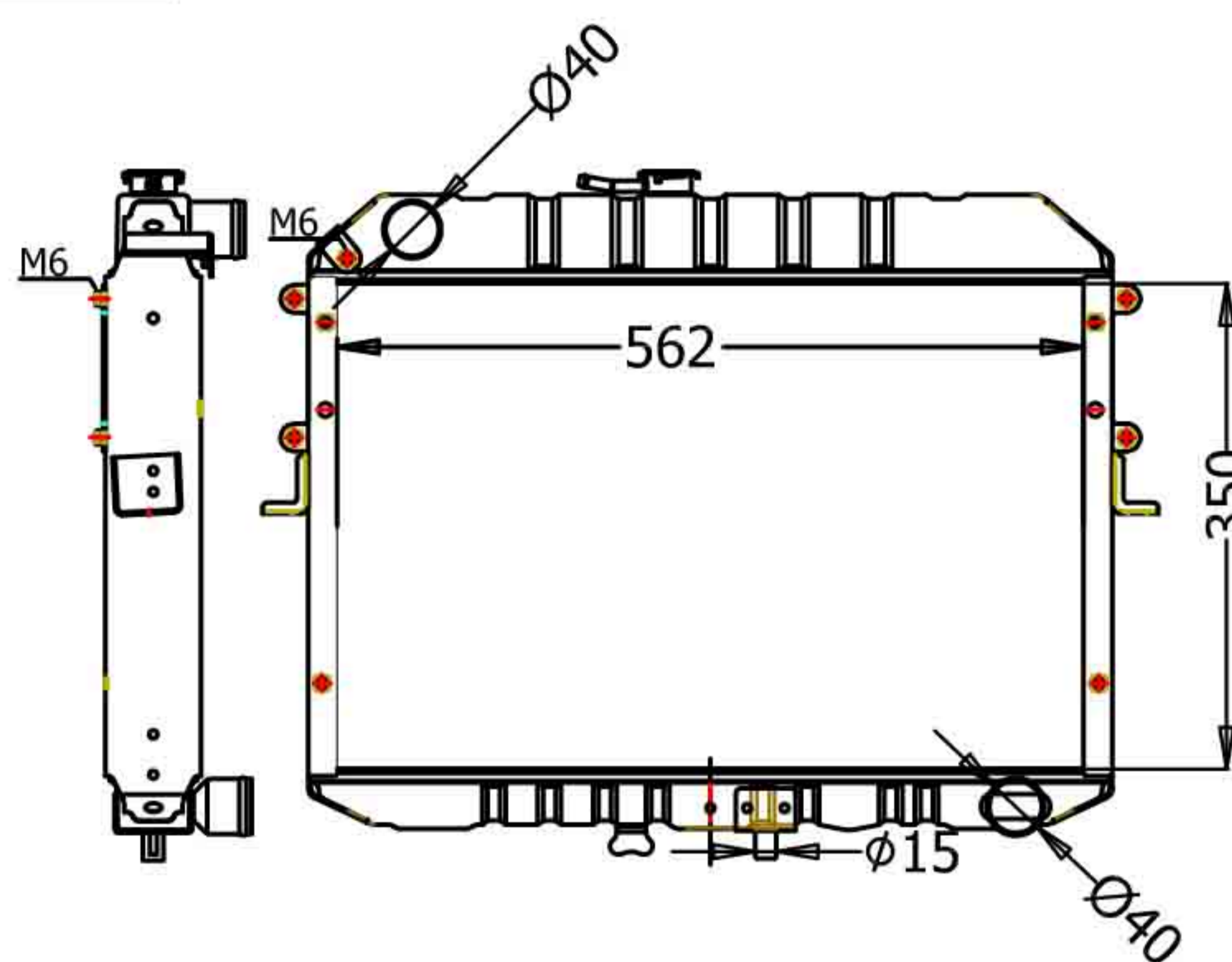
HA-90006

## MA-27001



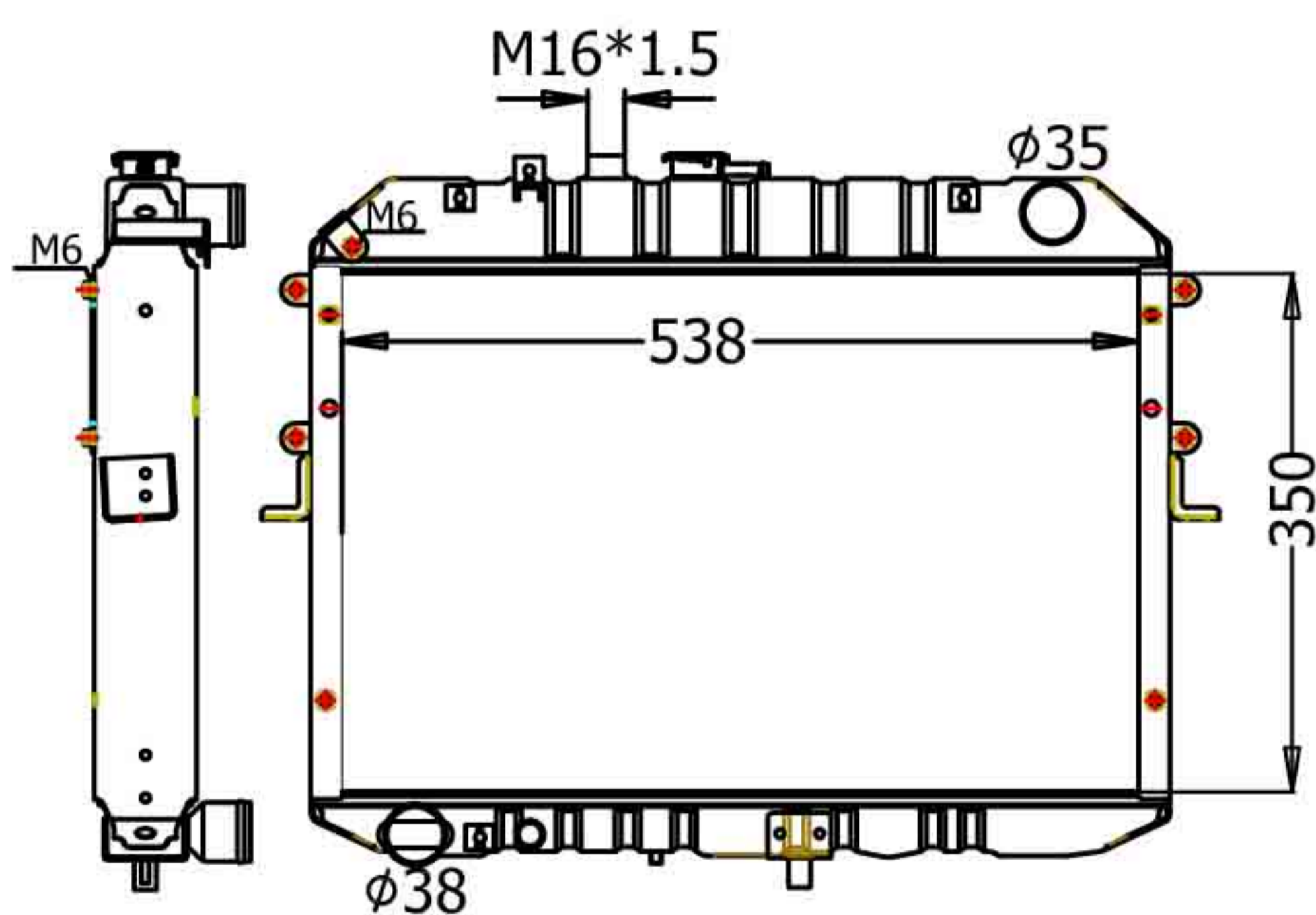
CARTYPE: E2000 MT  
 CORE SIZE: BC 350\*562\*49 TANK SIZE: 572\*60  
 CARTON:  
 OEM:  
 DPI:

## MA-27002



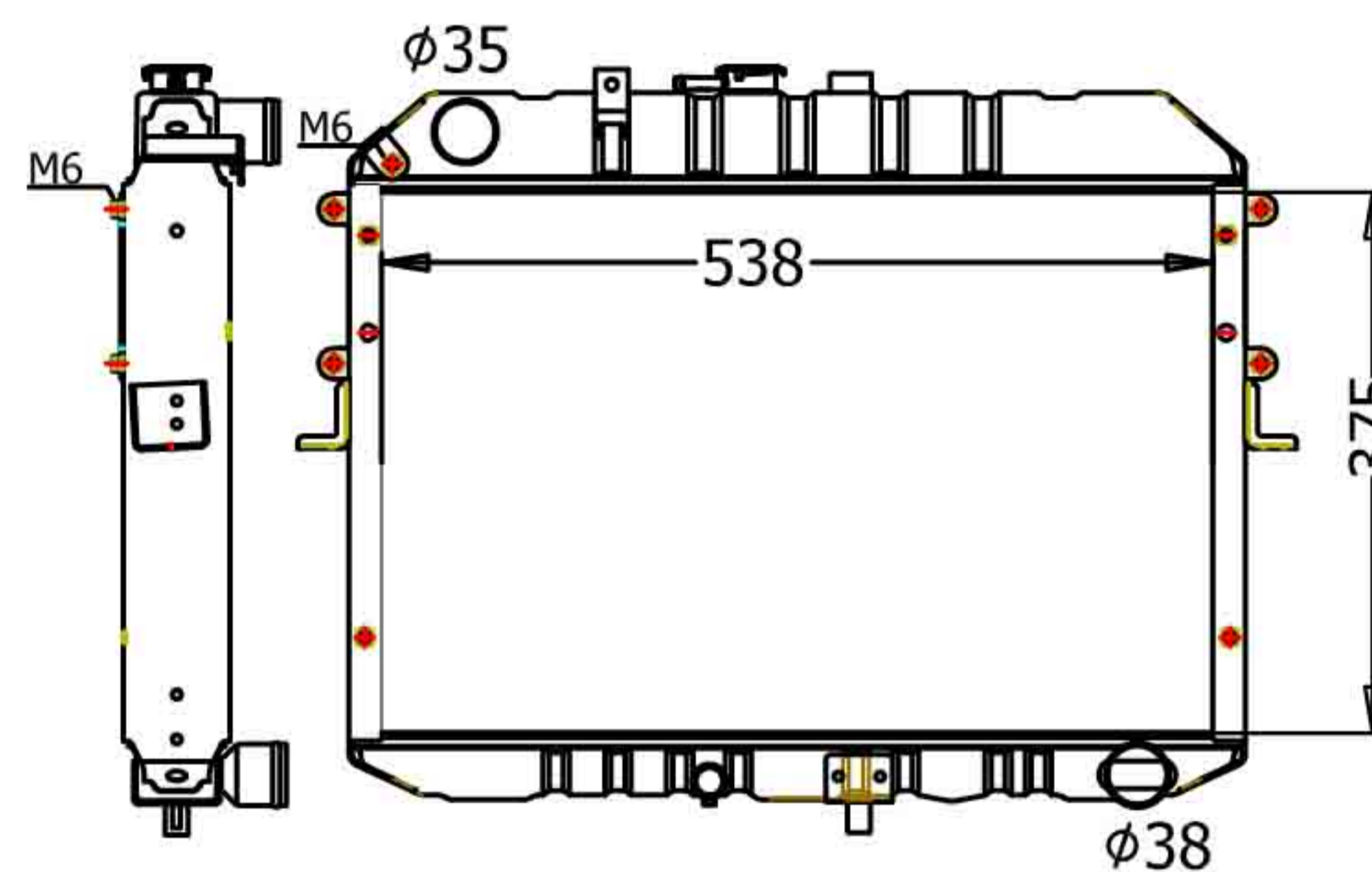
CARTYPE: E2000 MT  
 CORE SIZE: BC 350\*562\*49 TANK SIZE: 572\*60  
 CARTON:  
 OEM:  
 DPI:

## MA-27003



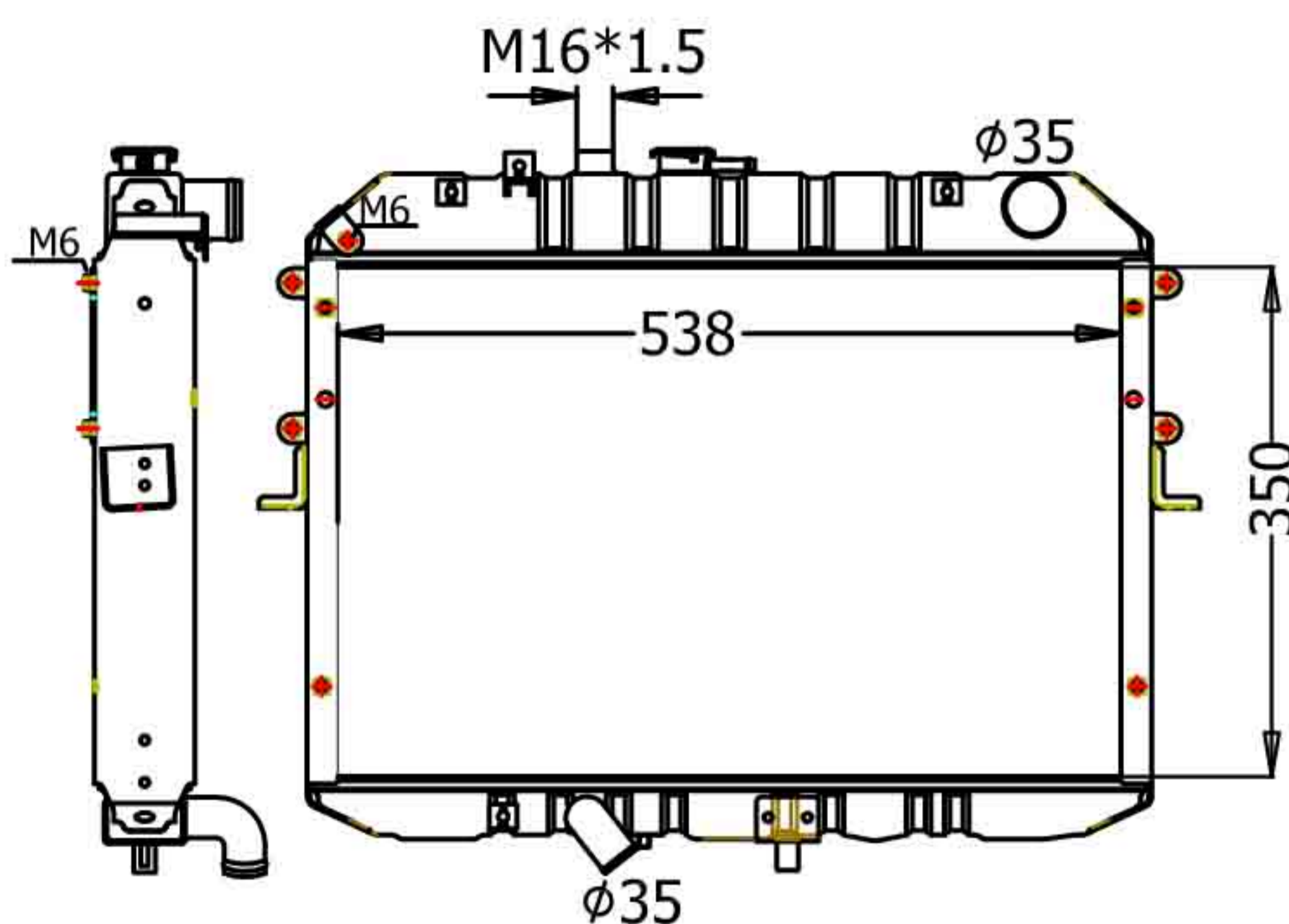
CARTYPE : ECONO VAN'99 E2000/(G) MTM  
 CORE SIZE : BC : 350 × 538 × 32 TANK SIZE : 47.5\*562.5  
 CARTON:  
 OEM :  
 DPI :

## MA-27004



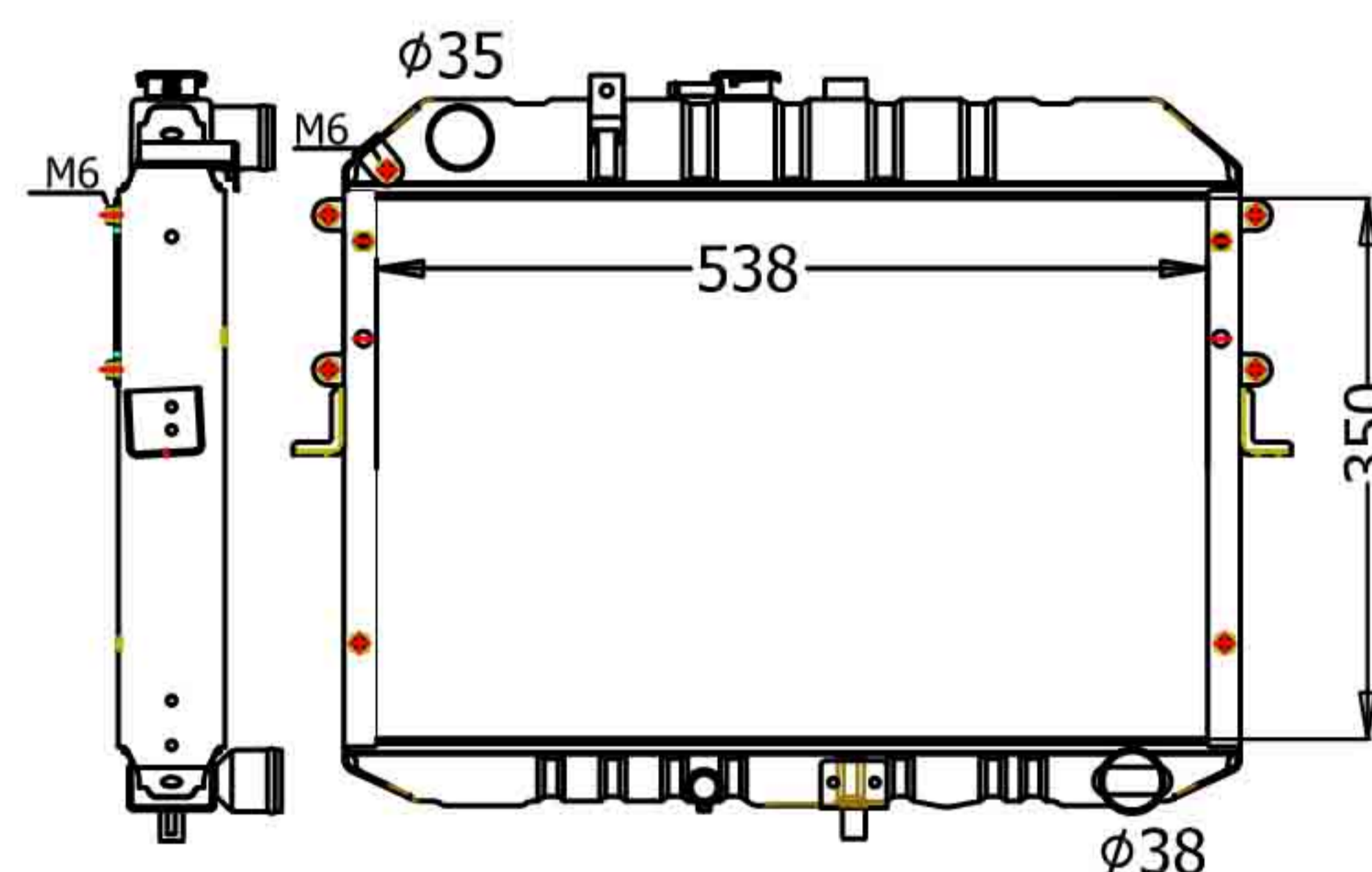
CARTYPE : BONGO '98-03 MTM  
 CORE SIZE : BC: 375 × 538 × 32 TANK SIZE : 52\*559.5  
 CARTON:  
 OEM : R2S2-15-200B/C/D  
 DPI :

## MA-27005



CARTYPE : MTM  
 CORE SIZE : BC : 350 × 538 × 16/32 TANK SIZE : 47.5\*562.5  
 CARTON:  
 OEM :  
 DPI :

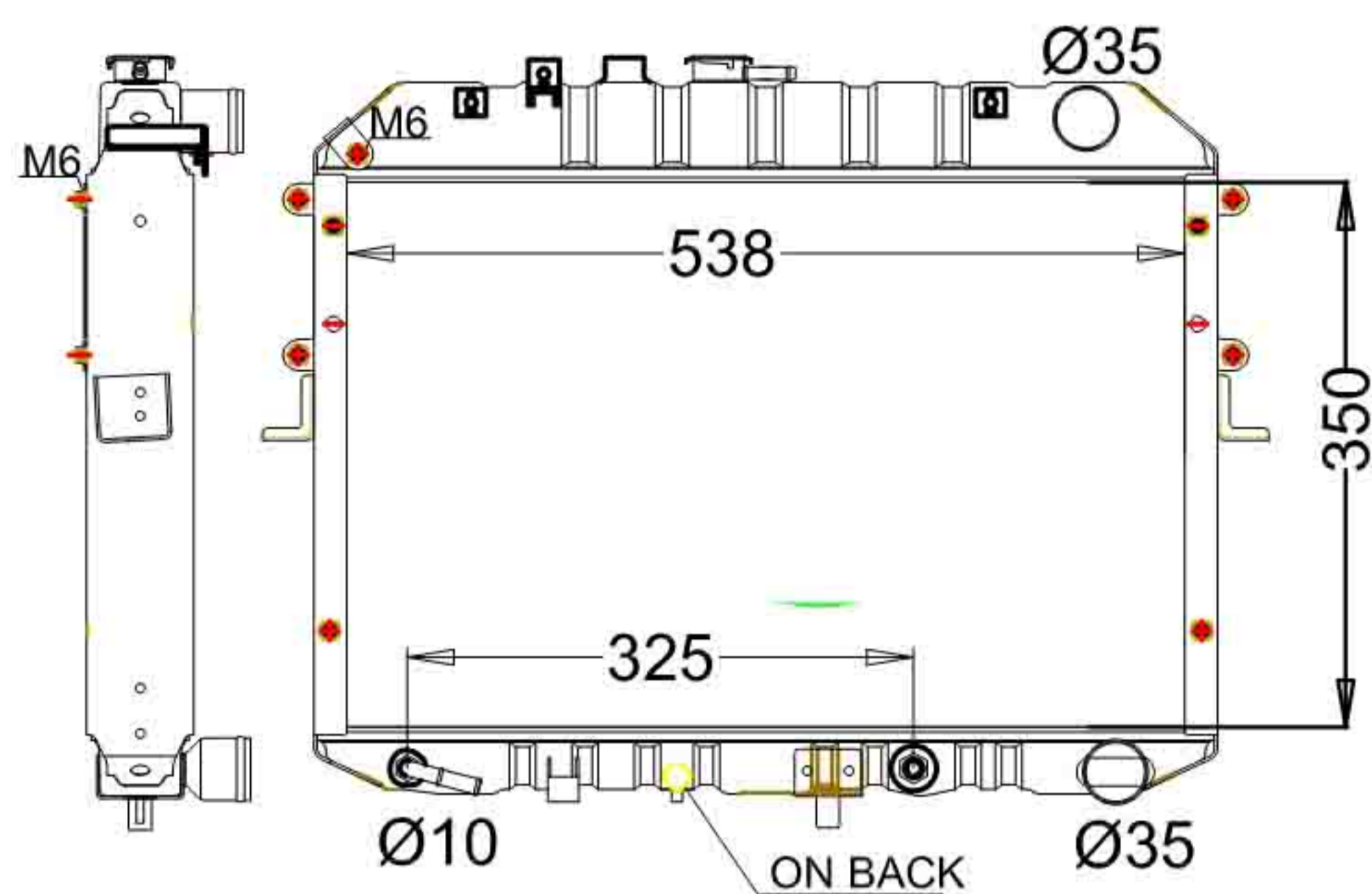
## MA-27006



CARTYPE : BONGO MTM  
 CORE SIZE : BC : 350 × 538 × 32 TANK SIZE : 52\*559.5  
 CARTON:  
 OEM :  
 DPI :

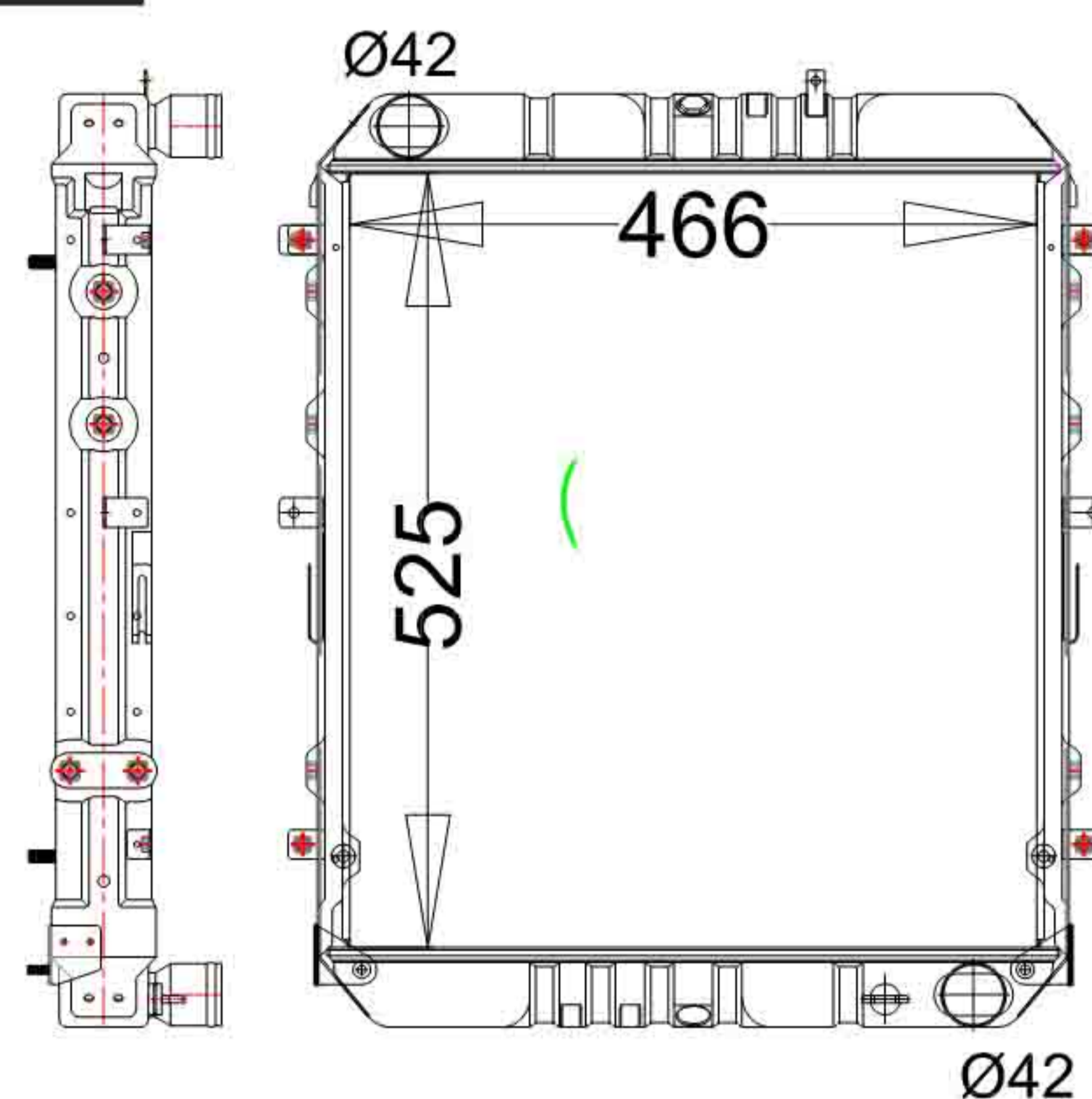
# MAZDA

## MA-27007



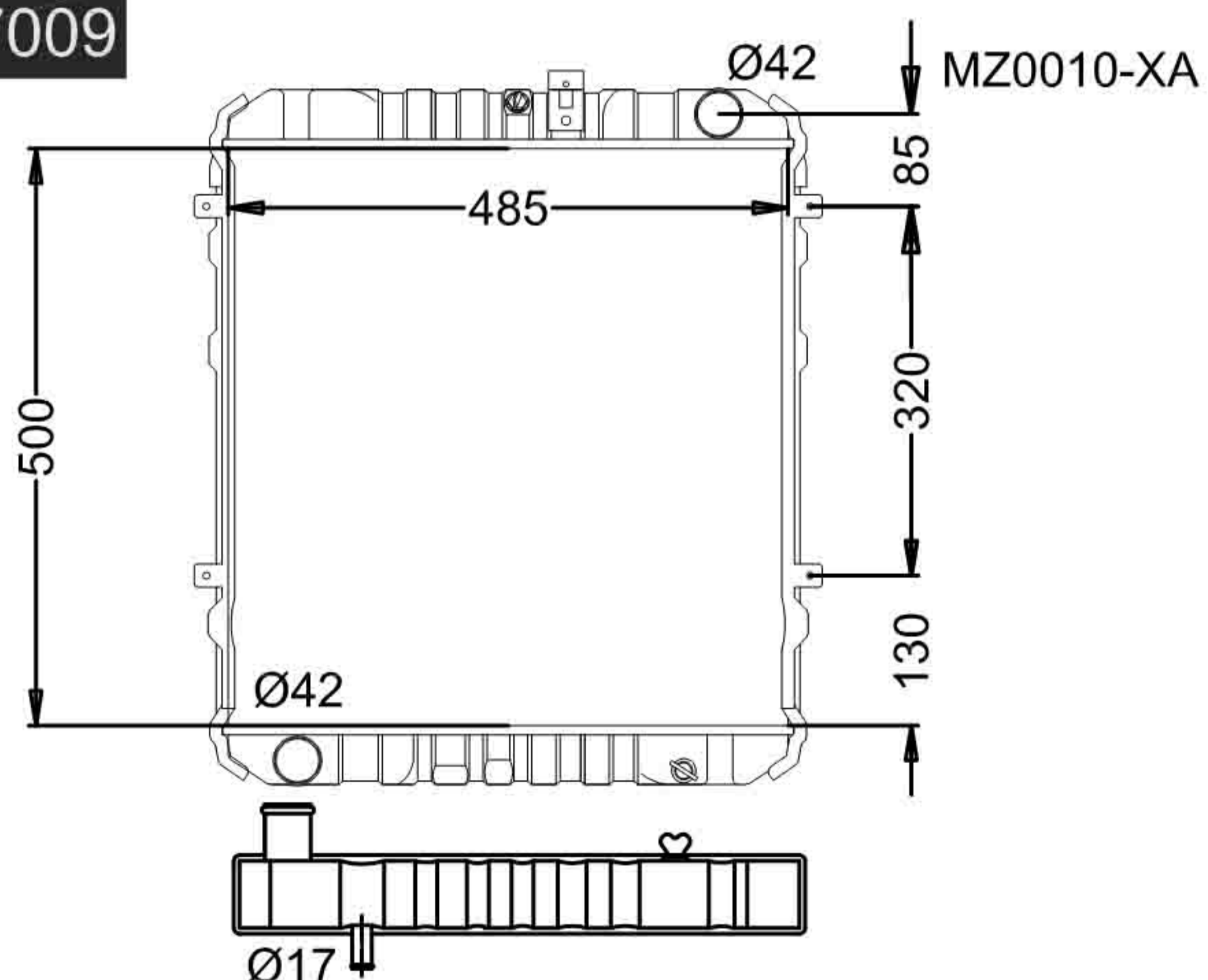
CARTYPE : BONGO VANETTE F8 SK82VN 2005 AT  
 CORE SIZE : BC : 350×538×26 TANK SIZE :47.5\*562.5  
 CARTON:  
 OEM :  
 DPI :

## MA-27008



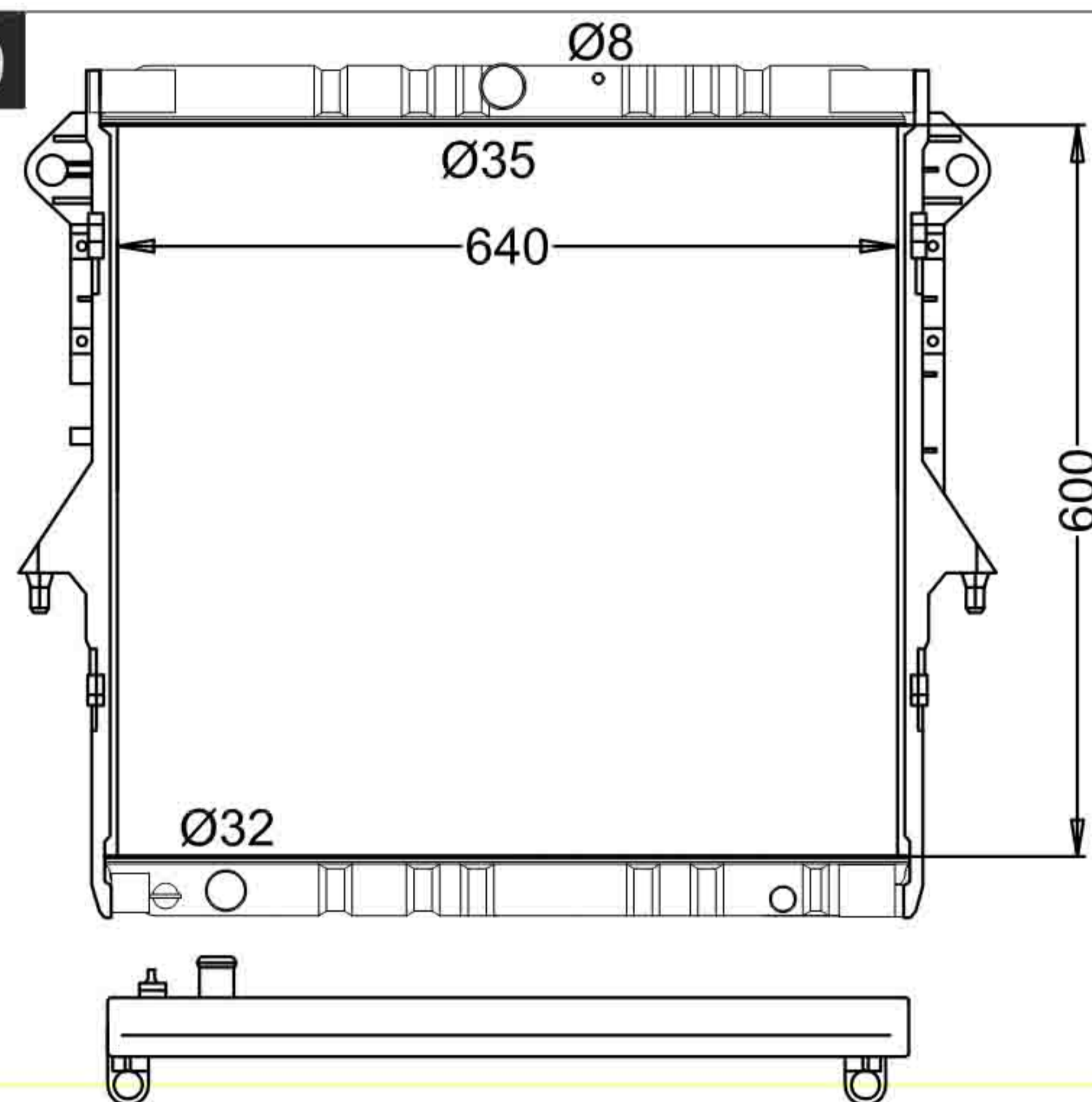
CARTYPE: MAZDA 6# MT  
 CORE SIZE:BC: 525\*466\*49 TANK SIZE:495\*68  
 CARTON:  
 OEM:  
 DPI:

## MA-27009



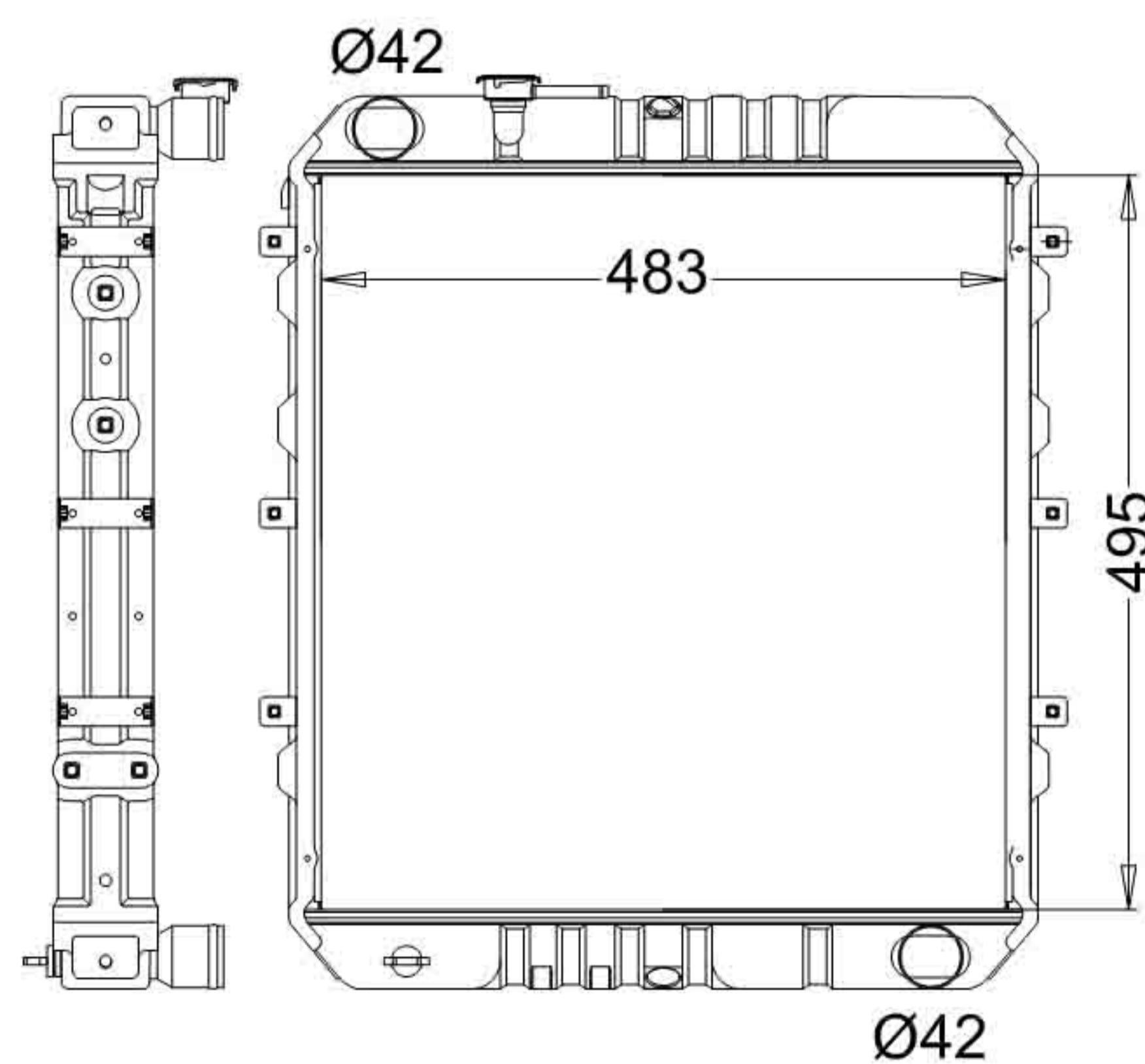
CARTYPE : MAZDA TITAN MT  
 CORE SIZE : BC: 500×485×48 TANK SIZE :68\*495  
 CORE SIZE :  
 OEM :  
 DPI :

## MA-27010



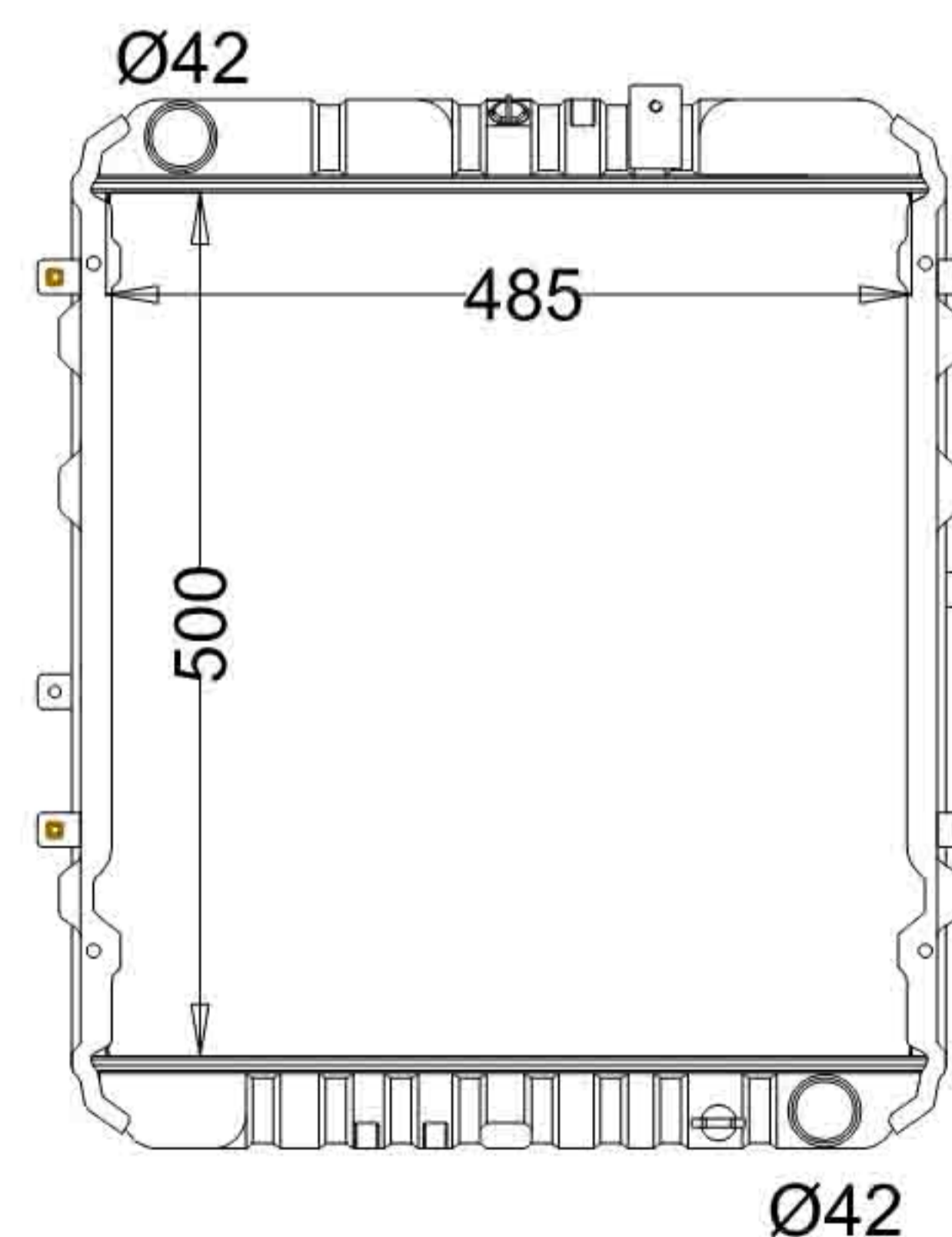
CARTYPE : RANGER MTM  
 CORE SIZE : BC : 600×640×26/32 TANK SIZE :47\*659  
 CORE SIZE:  
 OEM :  
 DPI :

## MA-27011



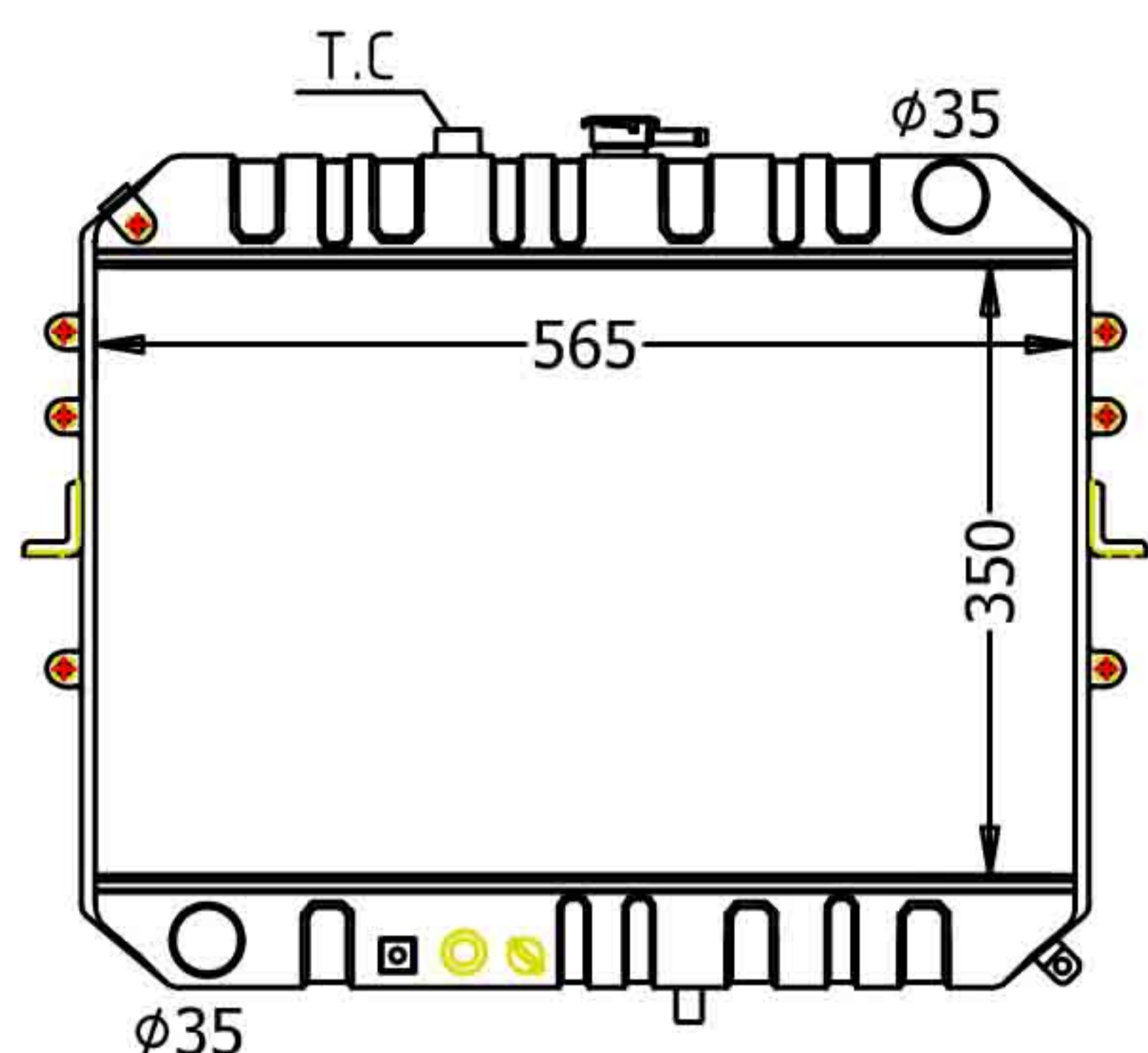
CARTYPE: MAZDA MT  
 CORE SIZE:BC :495\*483\*49 TANK SIZE:495\*68  
 CARTON:  
 OEM:  
 DPI:

## MA-27012



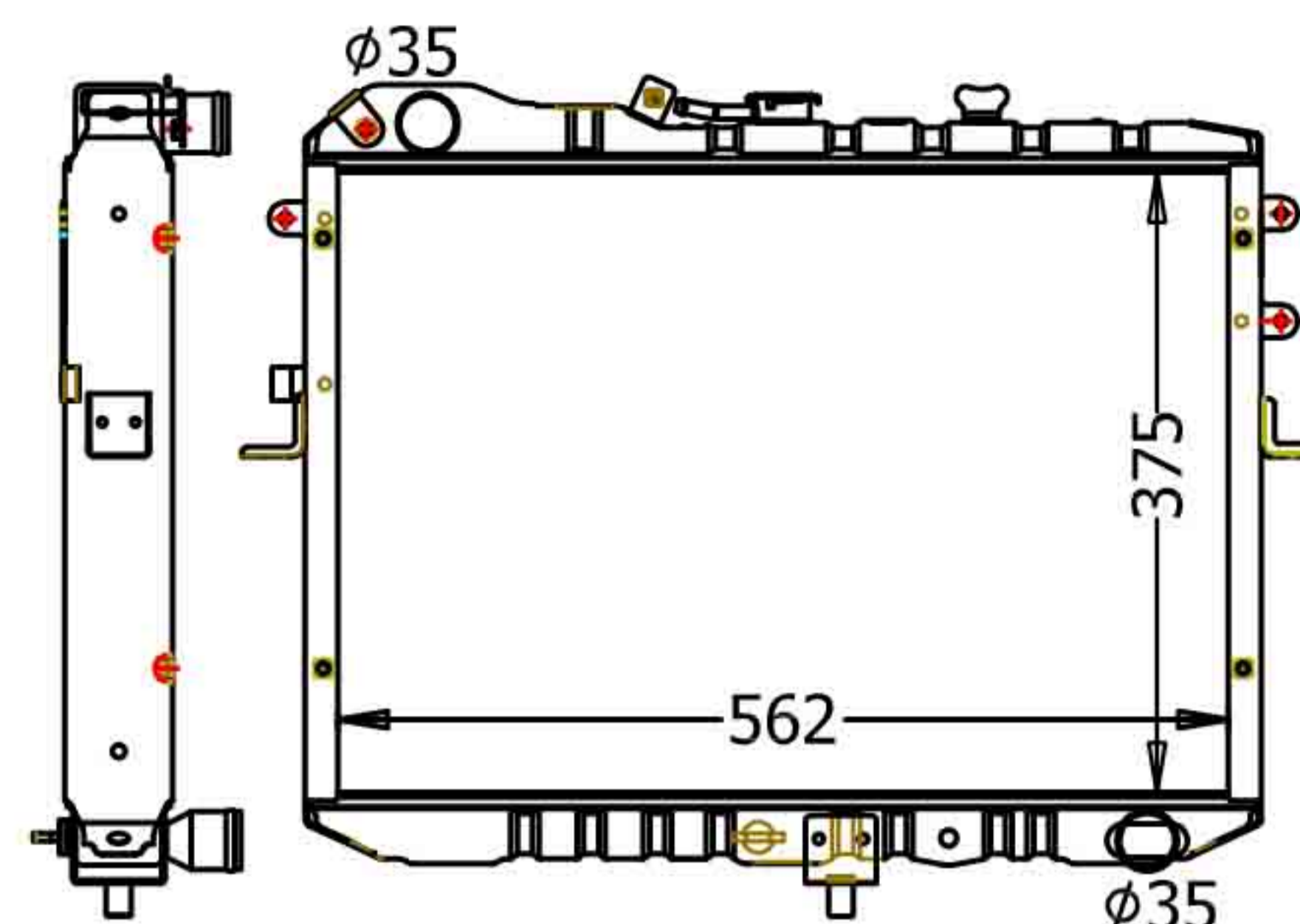
CARTYPE : MAZDA TITAN MT  
 CORE SIZE : BC : 500×485×32 TANK SIZE :50\*495  
 CORE SIZE :  
 OEM :  
 DPI :

**MA-27013**



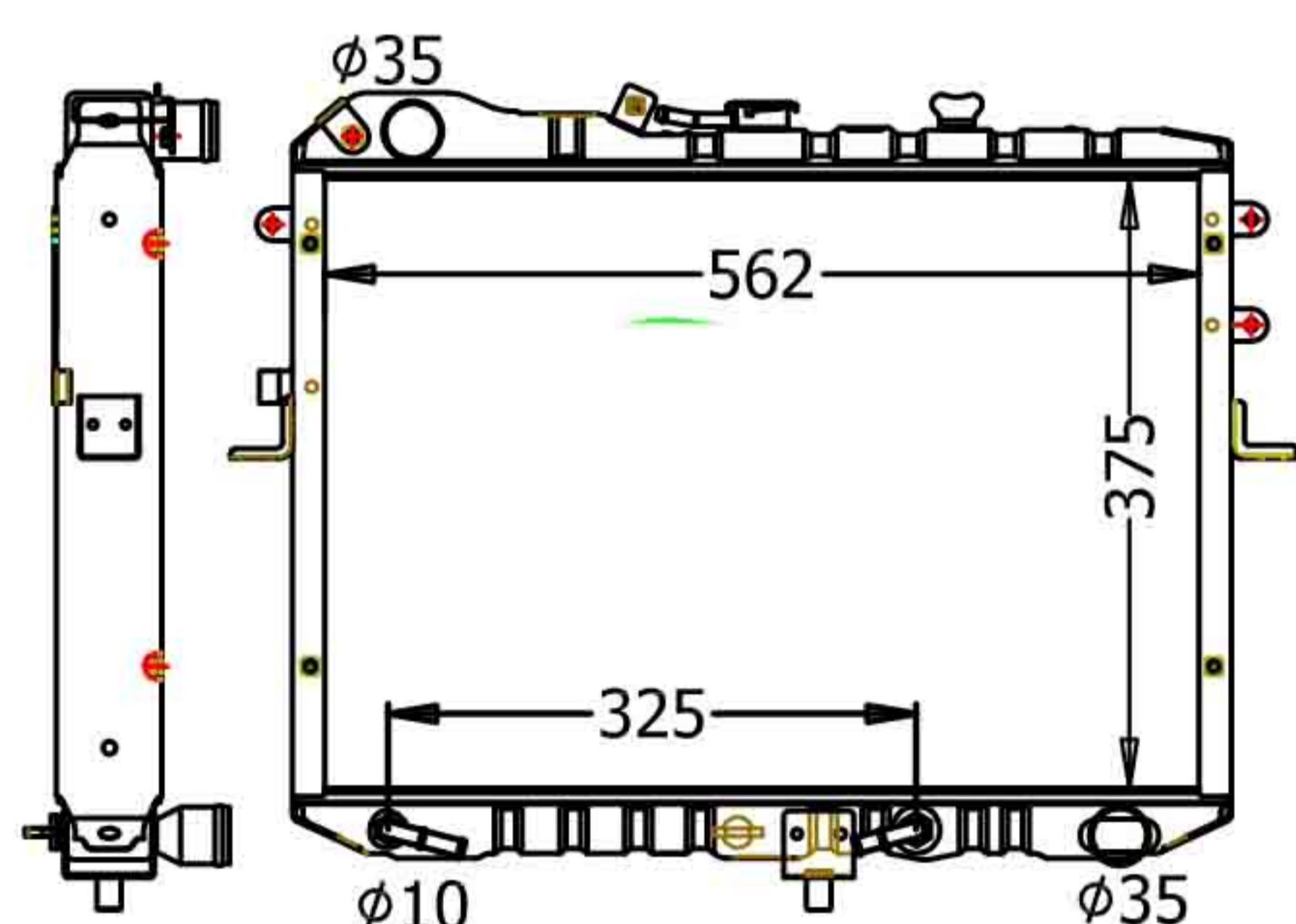
CARTYPE: F800-15-200A MTM  
 CORE SIZE:BC 350\*565\*48 TANK SIZE:  
 CARTON:  
 OEM:  
 DPI:

**MA-27014**



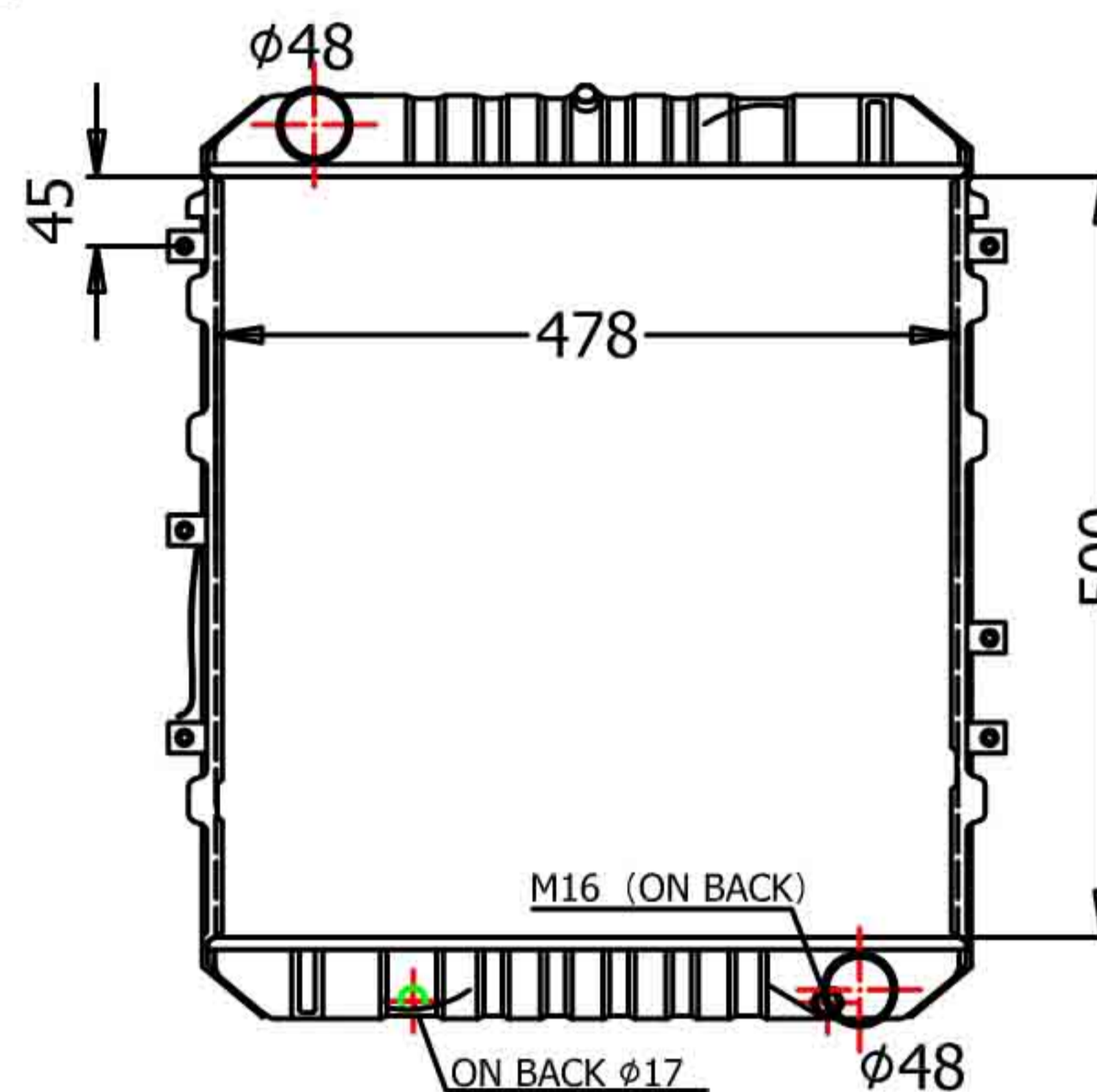
CARTYPE: MAZDA  
 CORE SIZE:BC:375\*562\*49 TANK SIZE:572\*60  
 CARTON:  
 OEM:  
 DPI:

**MA-27015**



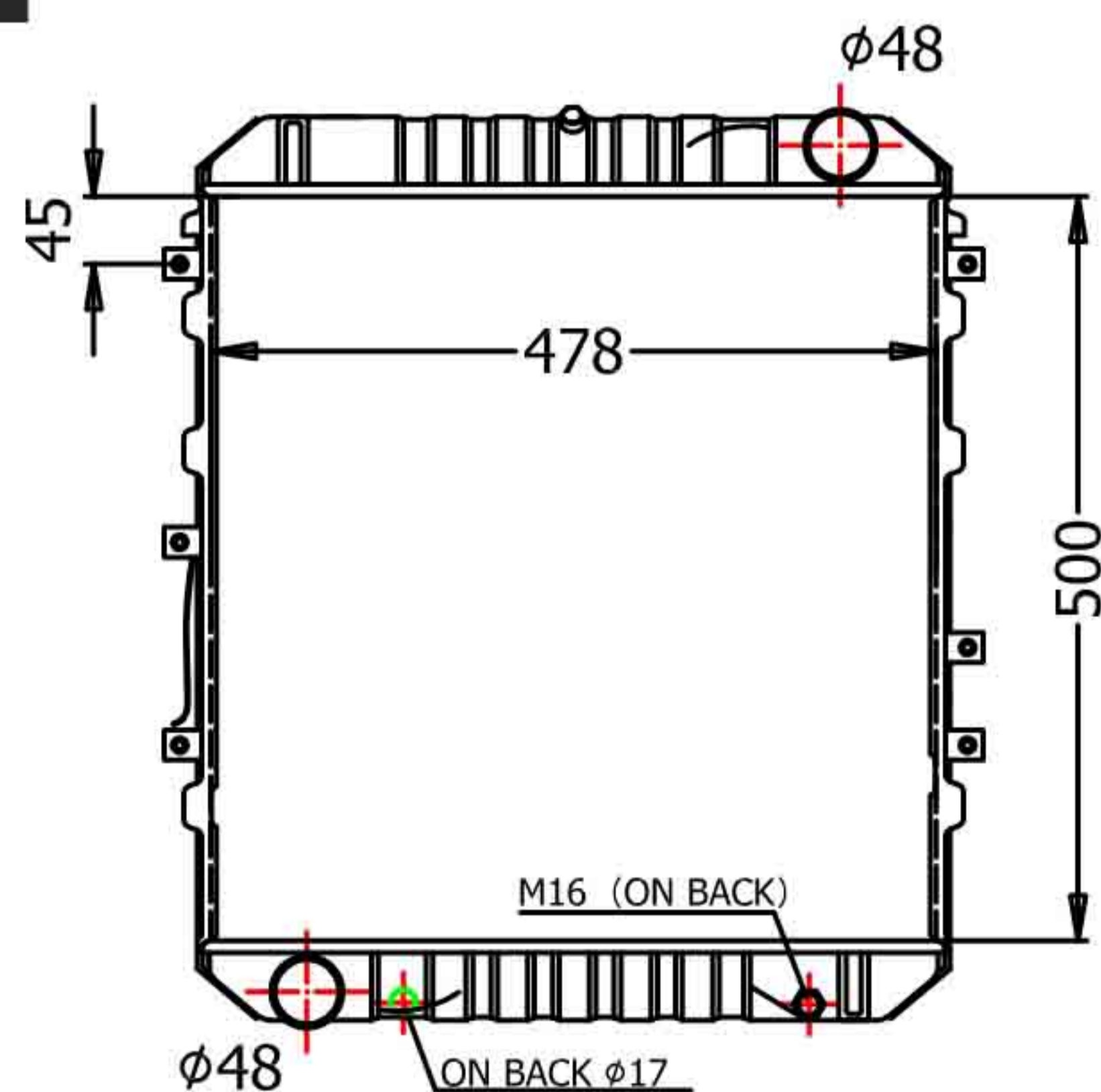
CARTYPE: MAZDA AT  
 CORE SIZE:BC:375\*562\*49 TANK SIZE:572\*60  
 CARTON:  
 OEM:  
 DPI:

**MA-27016**



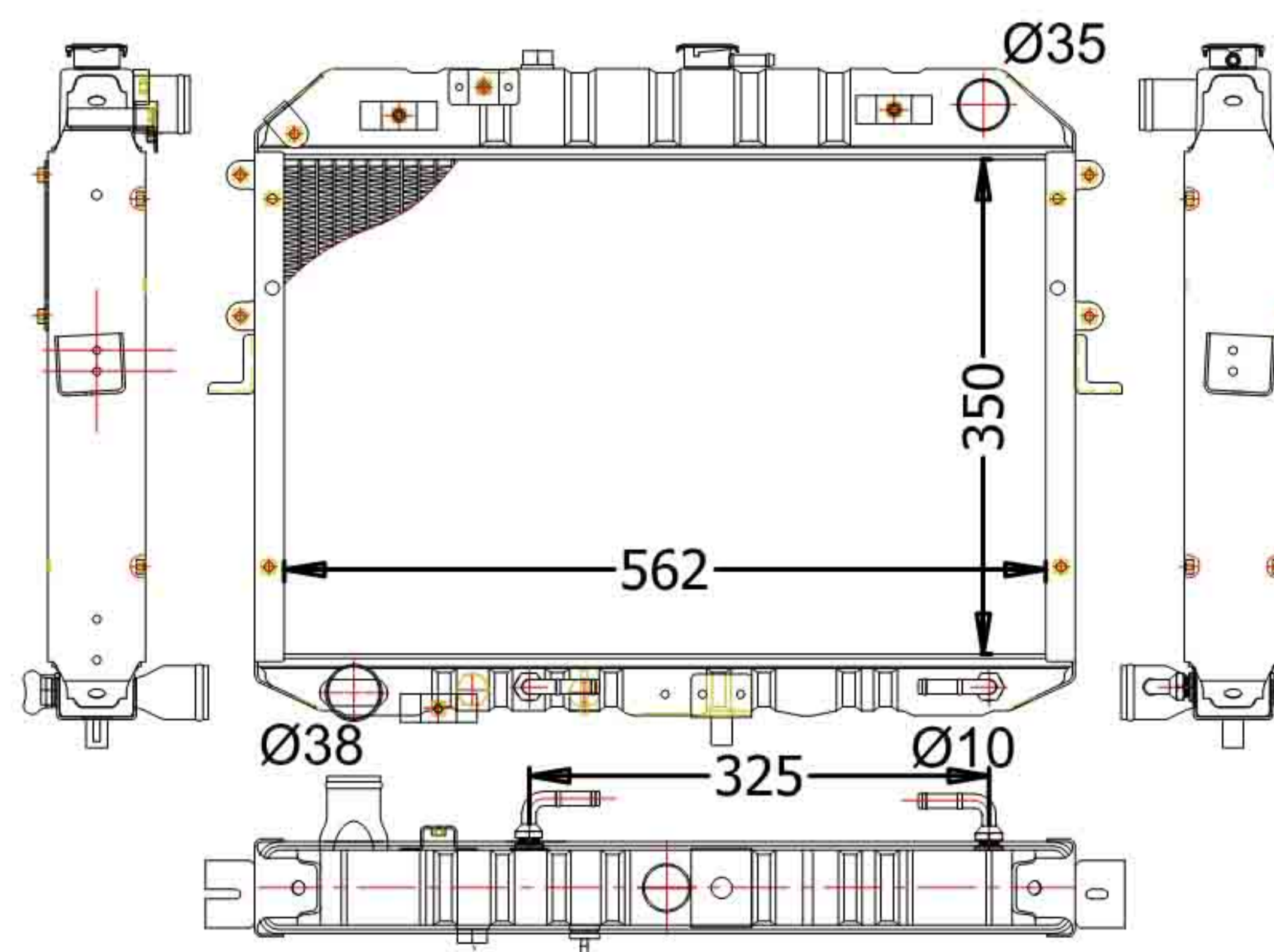
CARTYPE :MAZDA TITAN MTM  
 CORE SIZE : BC : 500\*478\*48 TANK SIZE :64\*496  
 CORE SIZE : PC :  
 OEM :  
 DPI :

**MA-27017**



CARTYPE :MAZDA TITAN MTM  
 CORE SIZE : BC : 500\*478\*48 TANK SIZE :64\*496  
 CORE SIZE : PC :  
 OEM :  
 DPI :

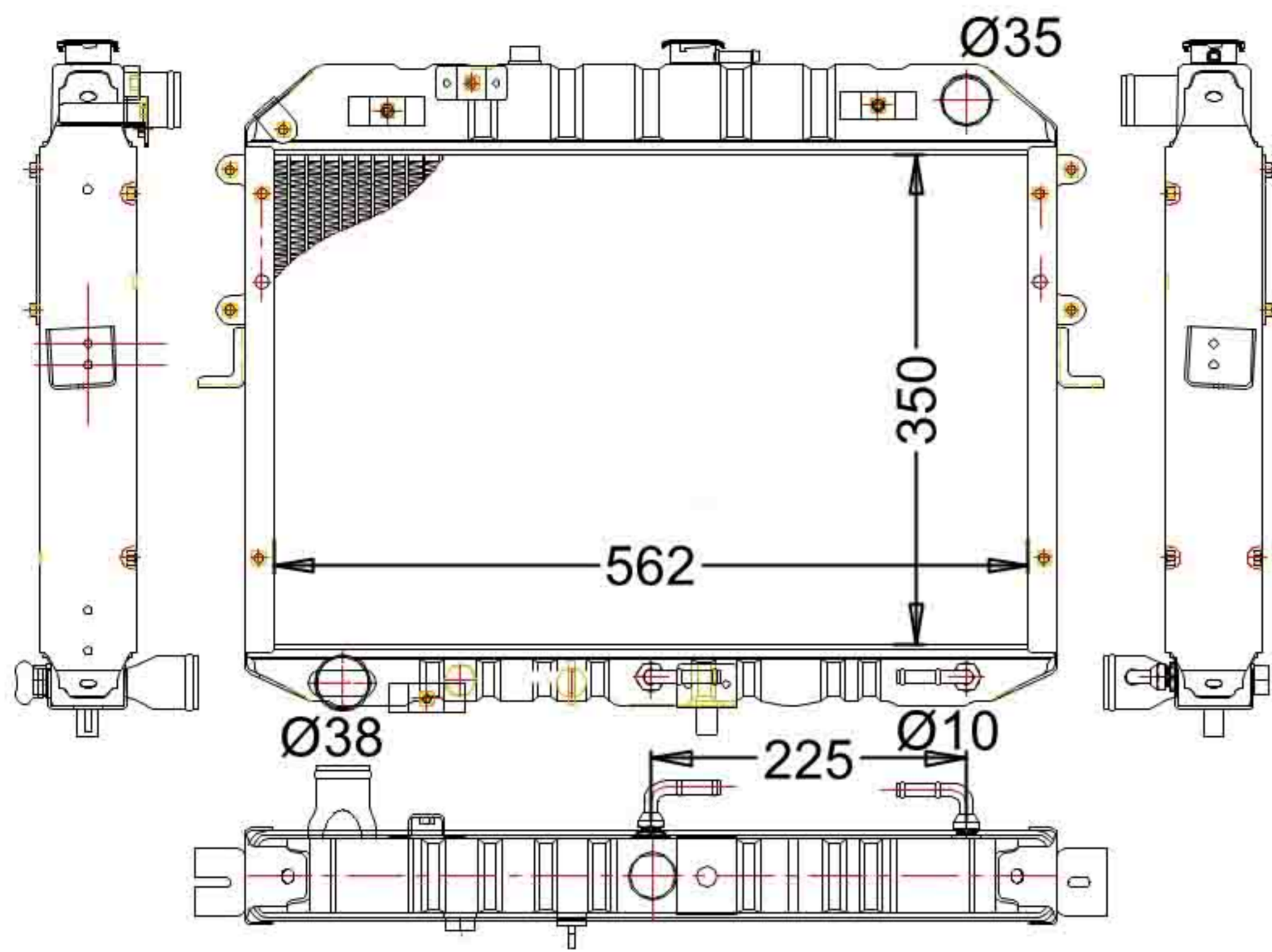
**MA-27018**



CARTYPE :MAZDA AT  
 CORE SIZE : BC : 562\*350\*49 TANK SIZE :572\*60  
 CORE SIZE : PC :  
 OEM :  
 DPI :

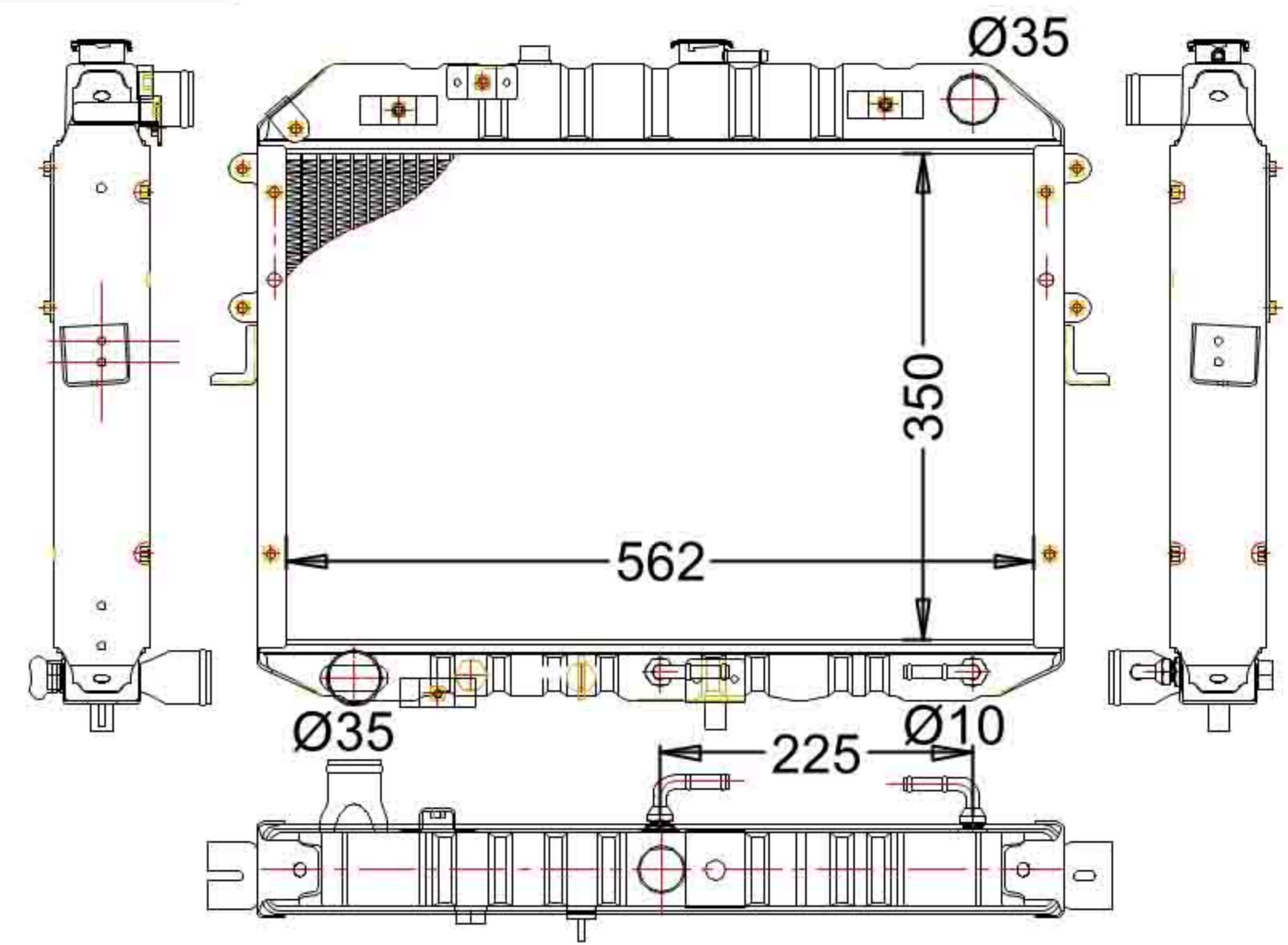
# MAZDA

MA-27019



CARTYPE :MAZDA AT  
CORE SIZE : BC : 562\*350\*49 TANK SIZE :572\*60  
CORE SIZE : PC :  
OEM :  
DPI :

MA-27020



CARTYPE :MAZDA AT  
CORE SIZE : BC : 562\*350\*49 TANK SIZE :572\*60  
CORE SIZE : PC :  
OEM :  
DPI :

MA-27021

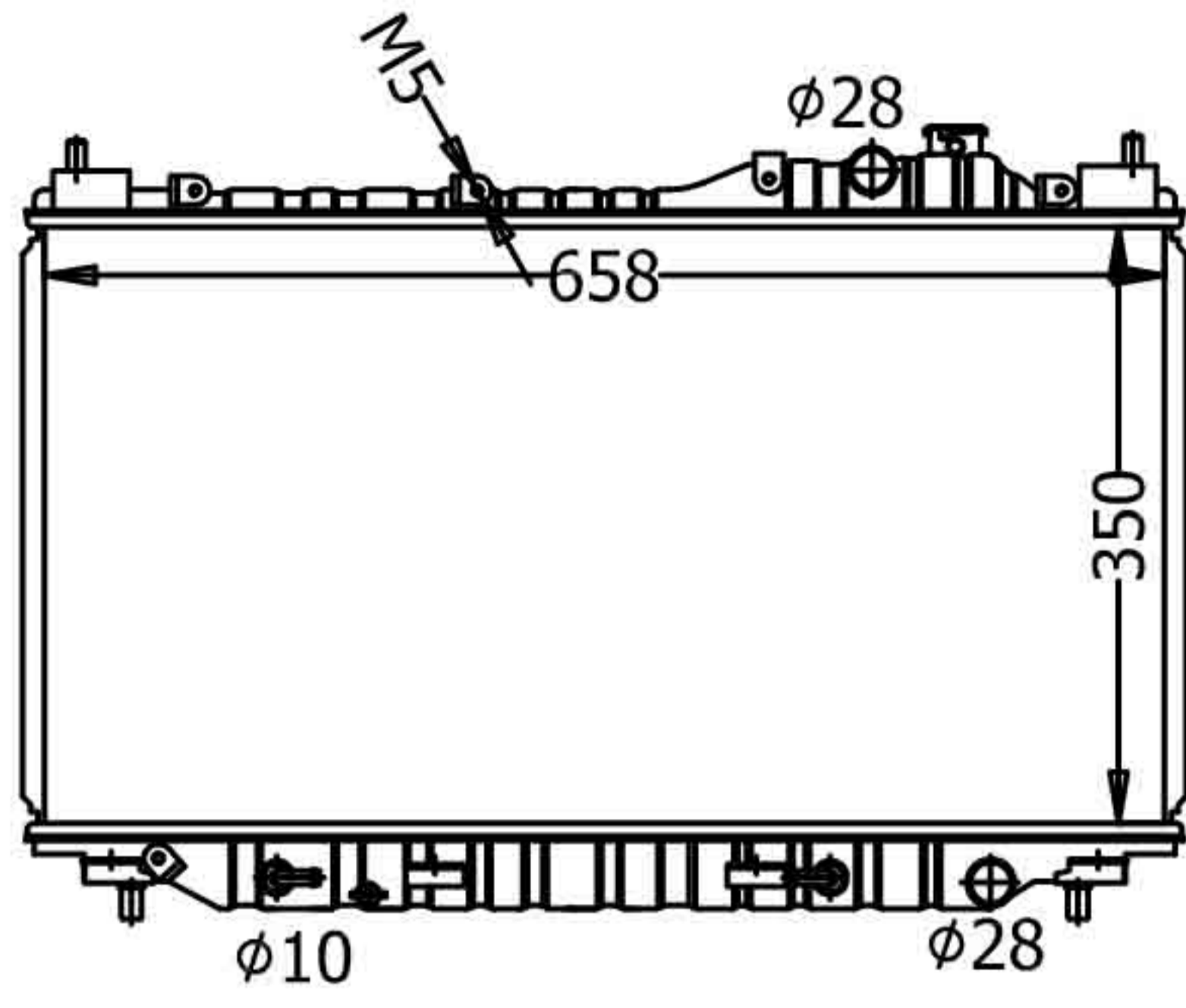
MA-27022

MA-27023

MA-27024

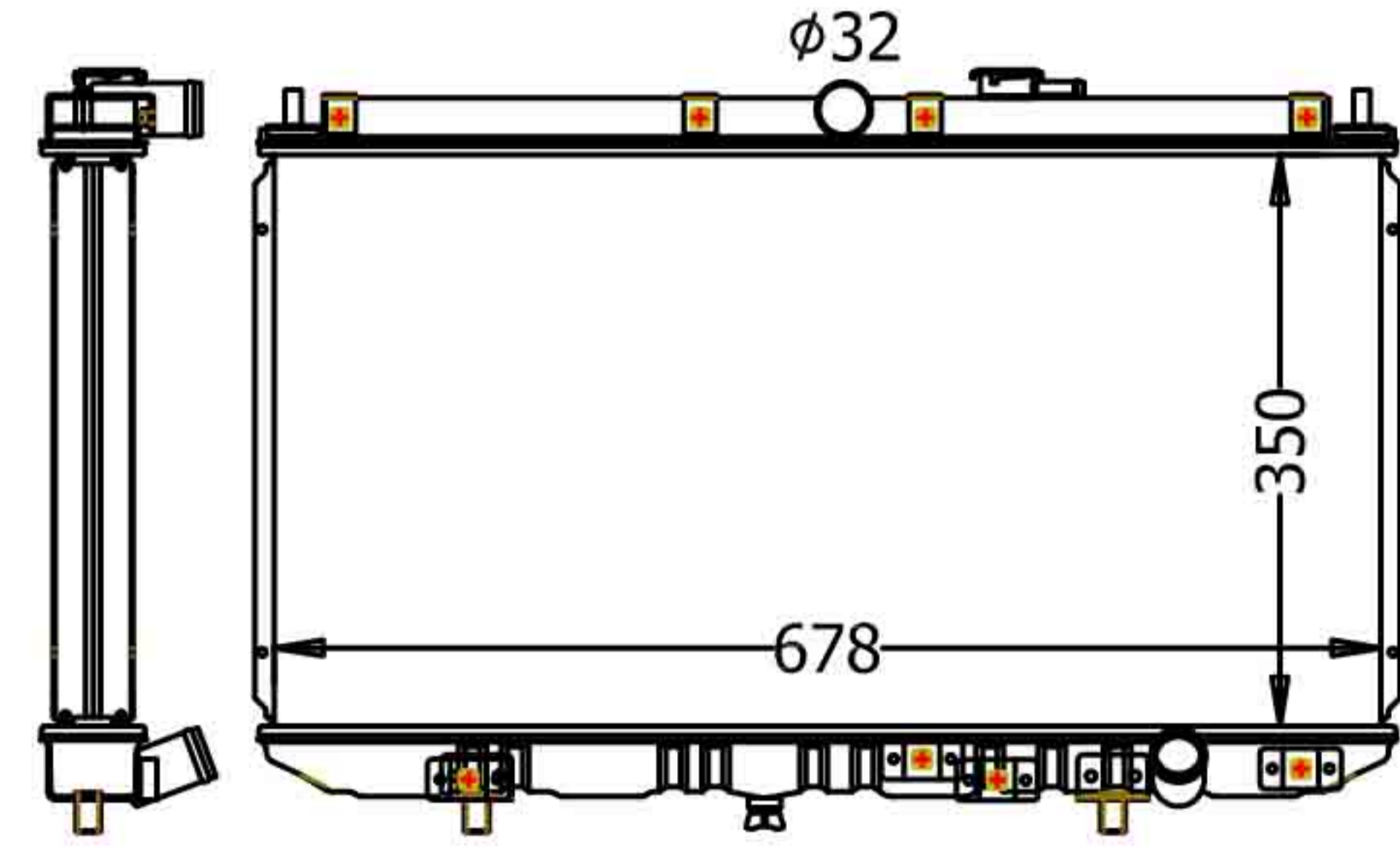
# HOND

HO-11001



CARTYPE : CIVIC'2001 ES7 ATM  
CORE SIZE : BC : 350 × 658 × 16 TANK SIZE : 33/40\*679  
CARTON:  
OEM : 19010-PMM-A51/PLC-901  
DPI : 2354

HO-11002



CARTYPE : 雅阁CD5 94-97  
CORE SIZE : BC : 350\*678\*49 TANK SIZE : 695\*62  
CARTON:  
OEM :  
DPI :

HO-11003

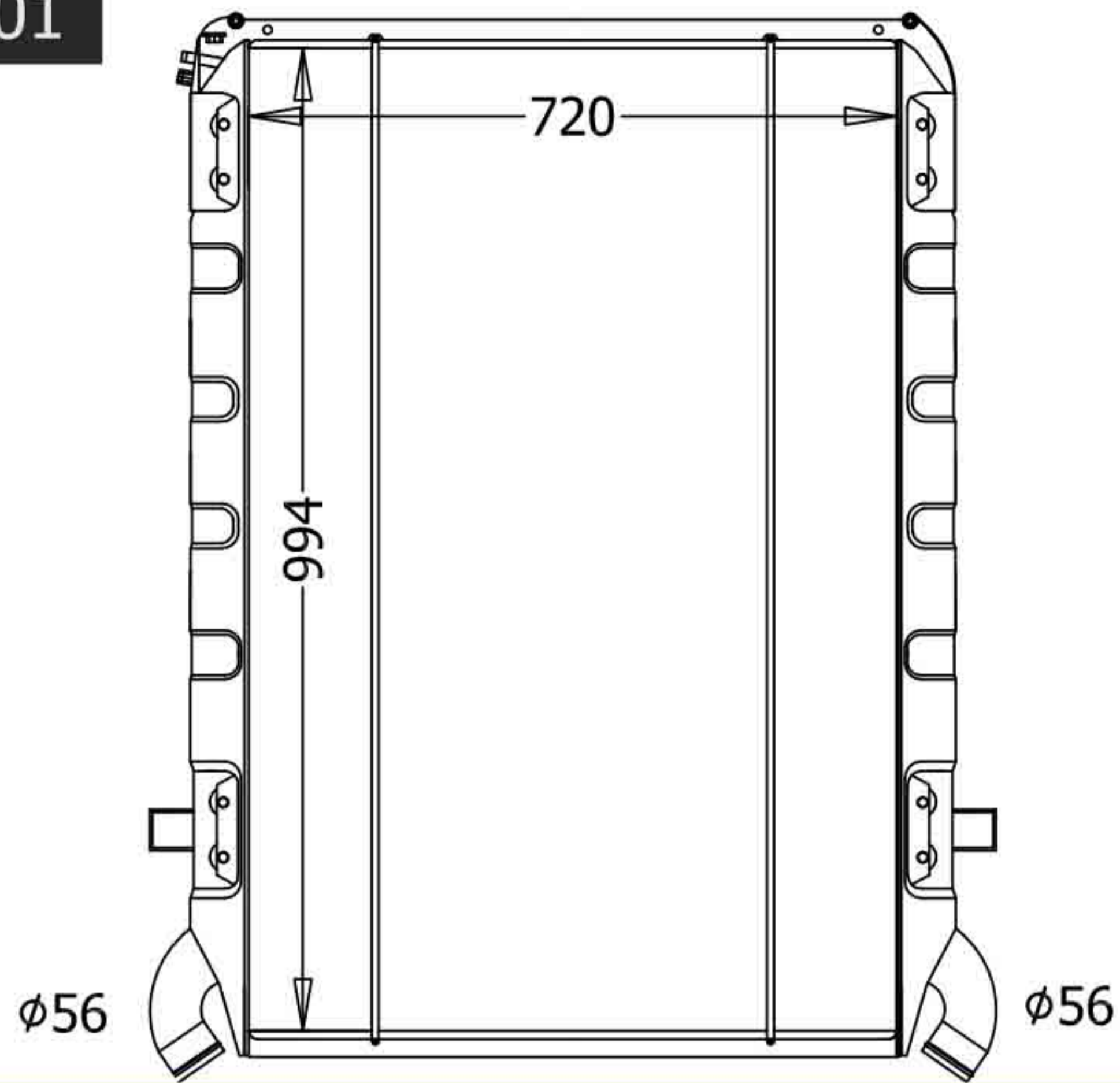
HO-11004

HO-11005

HO-11006

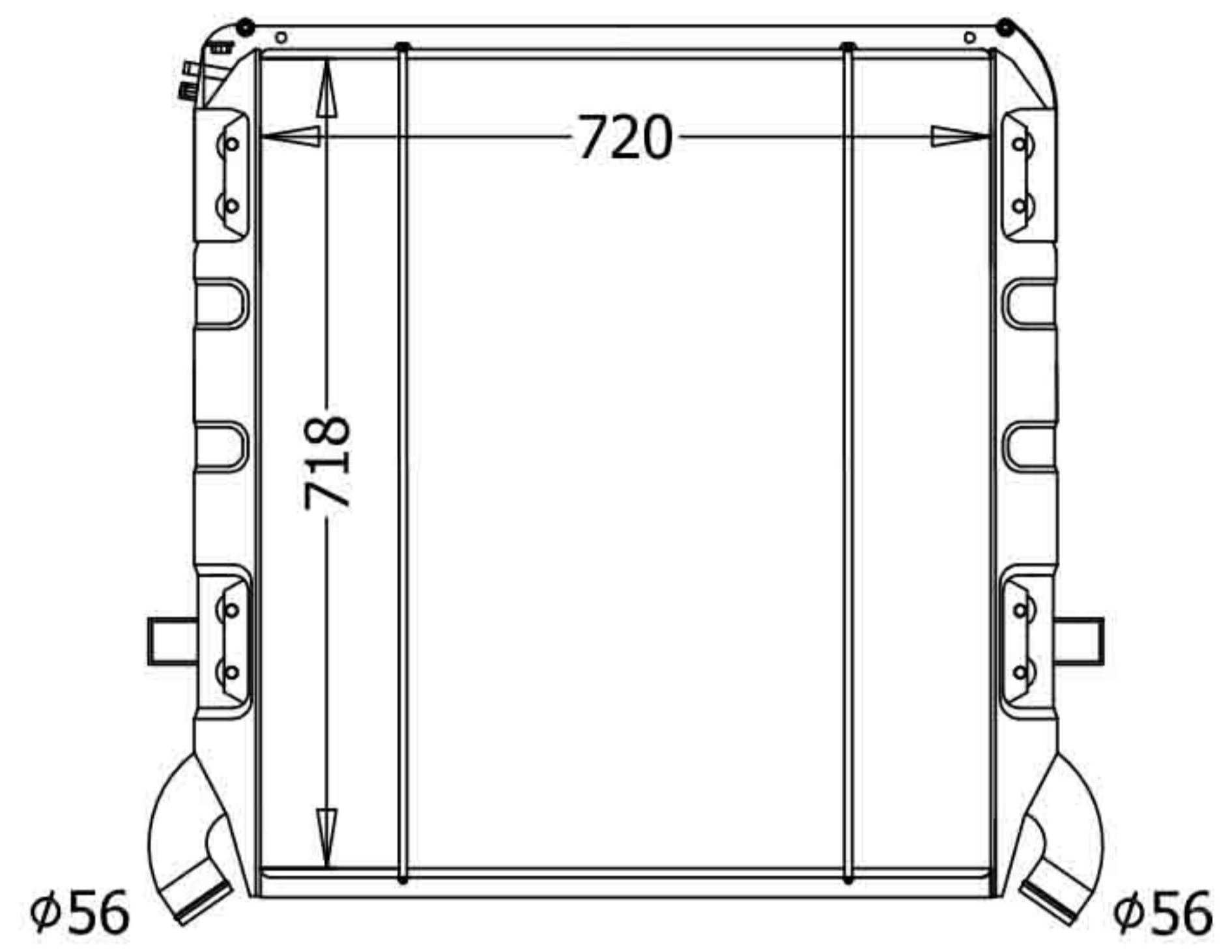
# SCANIA

**SC-16001**



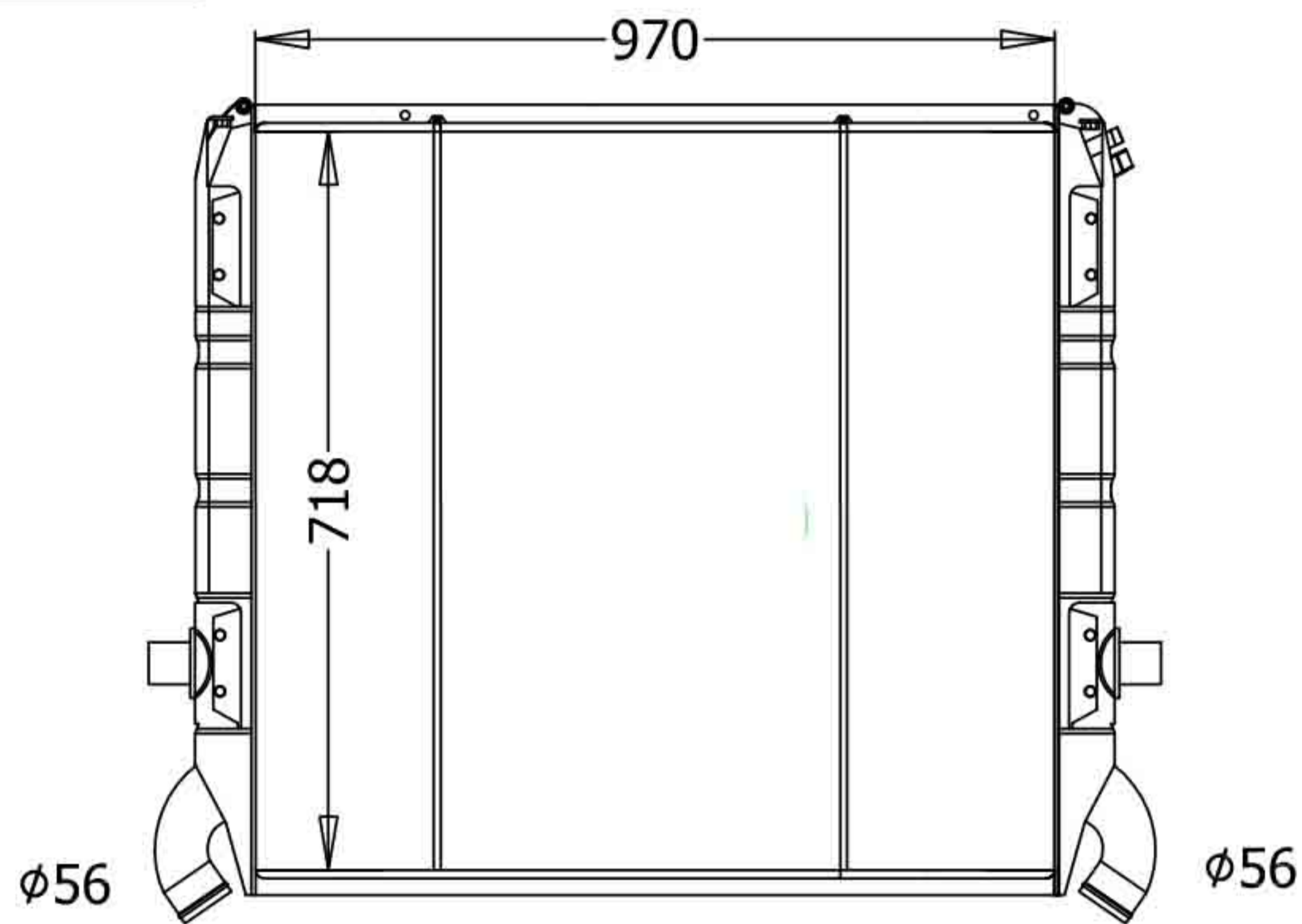
CARTYPE : SCANIA I R(81) 112 DSC11 MT  
 CORE SIZE : BC: 720 × 994 × 60  
 CORE SIZE :  
 OEM : 1321887/310082/334842  
 NISSENS:64071

**SC-16002**



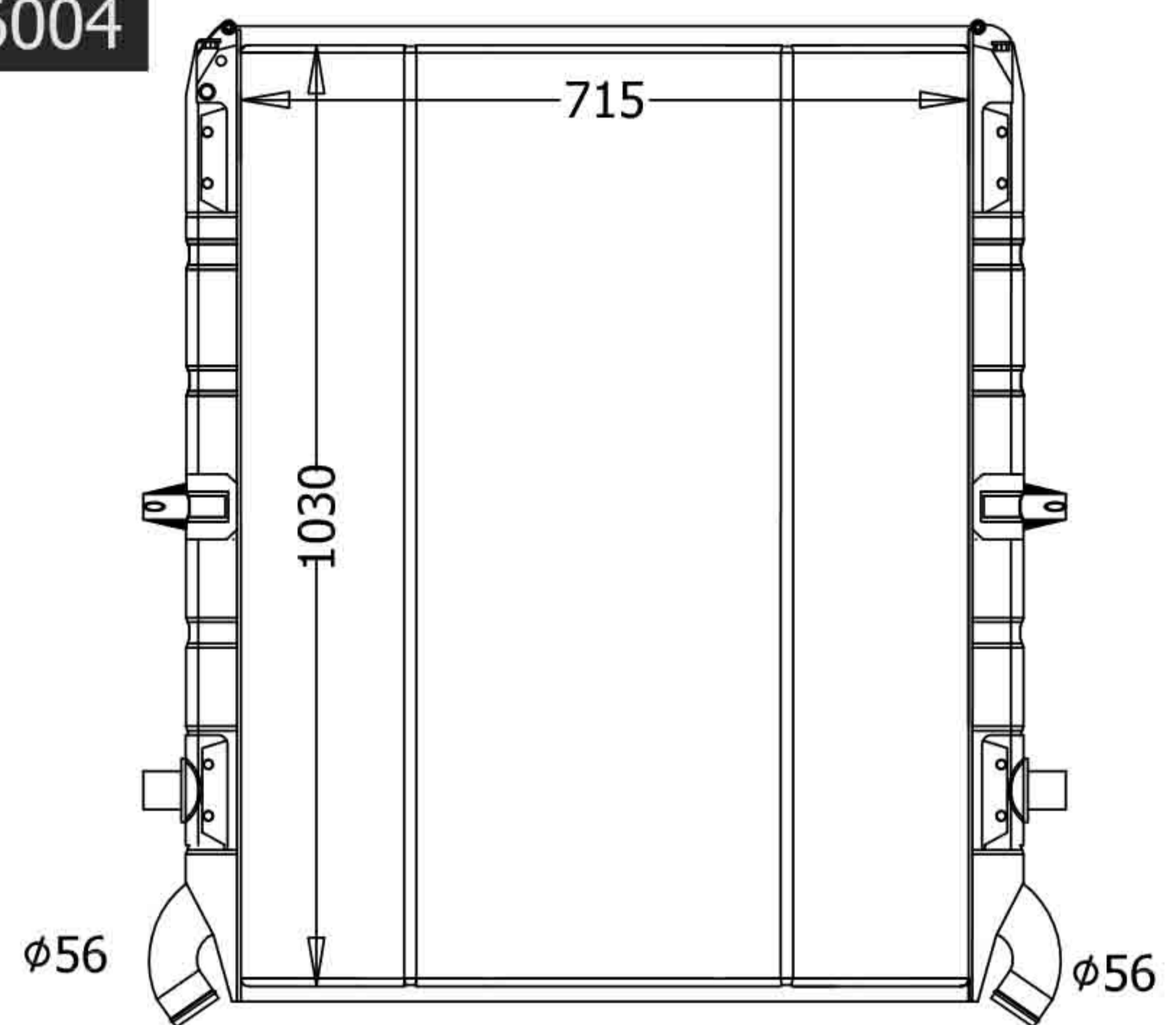
CARTYPE : SCANIA I I G(81) 82 DS8 MT  
 CORE SIZE : BC: 720 × 718 × 60  
 CORE SIZE :  
 OEM : 1100630/310080/334840  
 NISSENS:64075

**SC-16003**



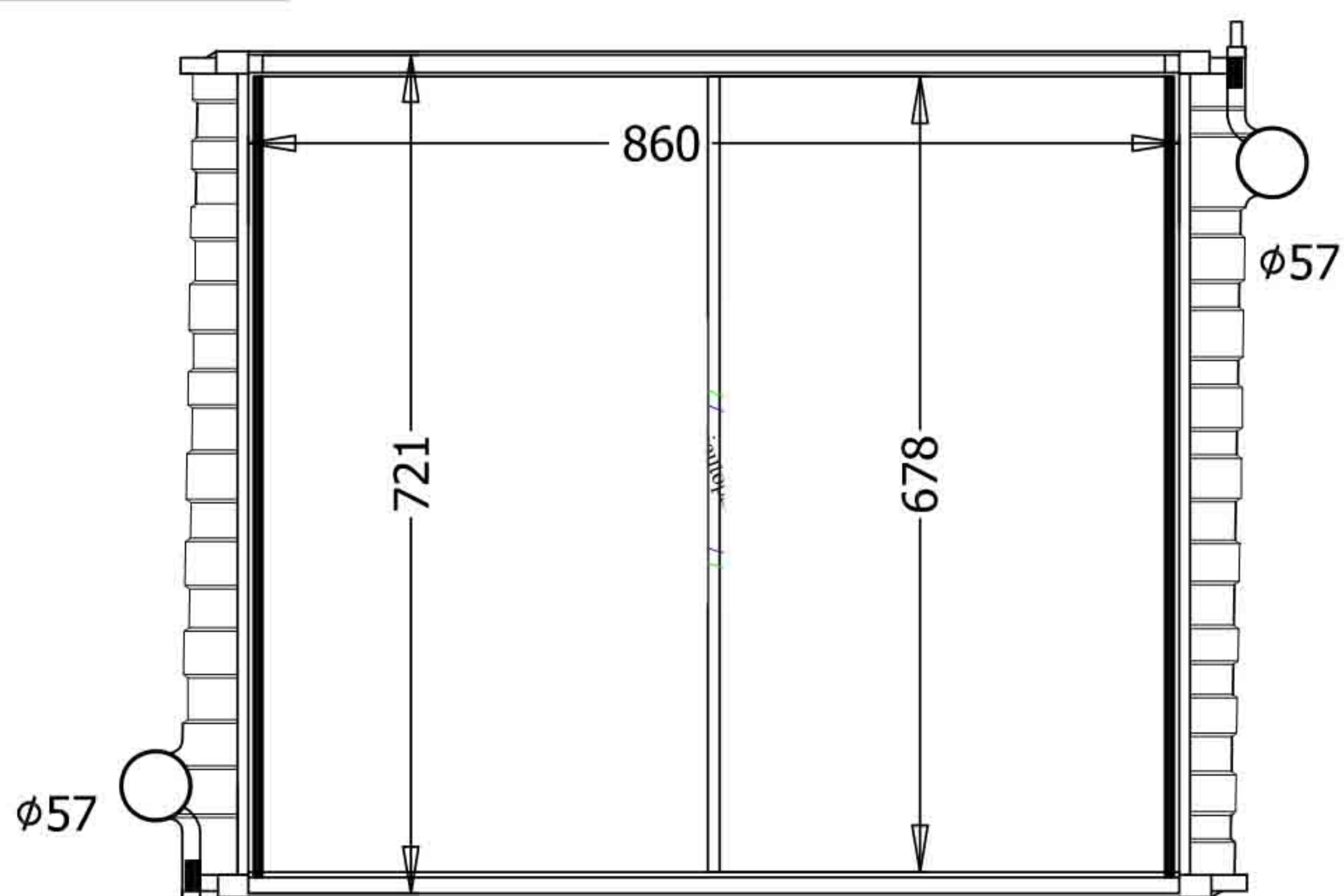
CARTYPE : P(89) 113 DSC11' 89 MT  
 CORE SIZE : BC: 970 × 718 × 60  
 CORE SIZE :  
 OEM : 1100631/310081/334841  
 NISSENS:64072

**SC-16004**



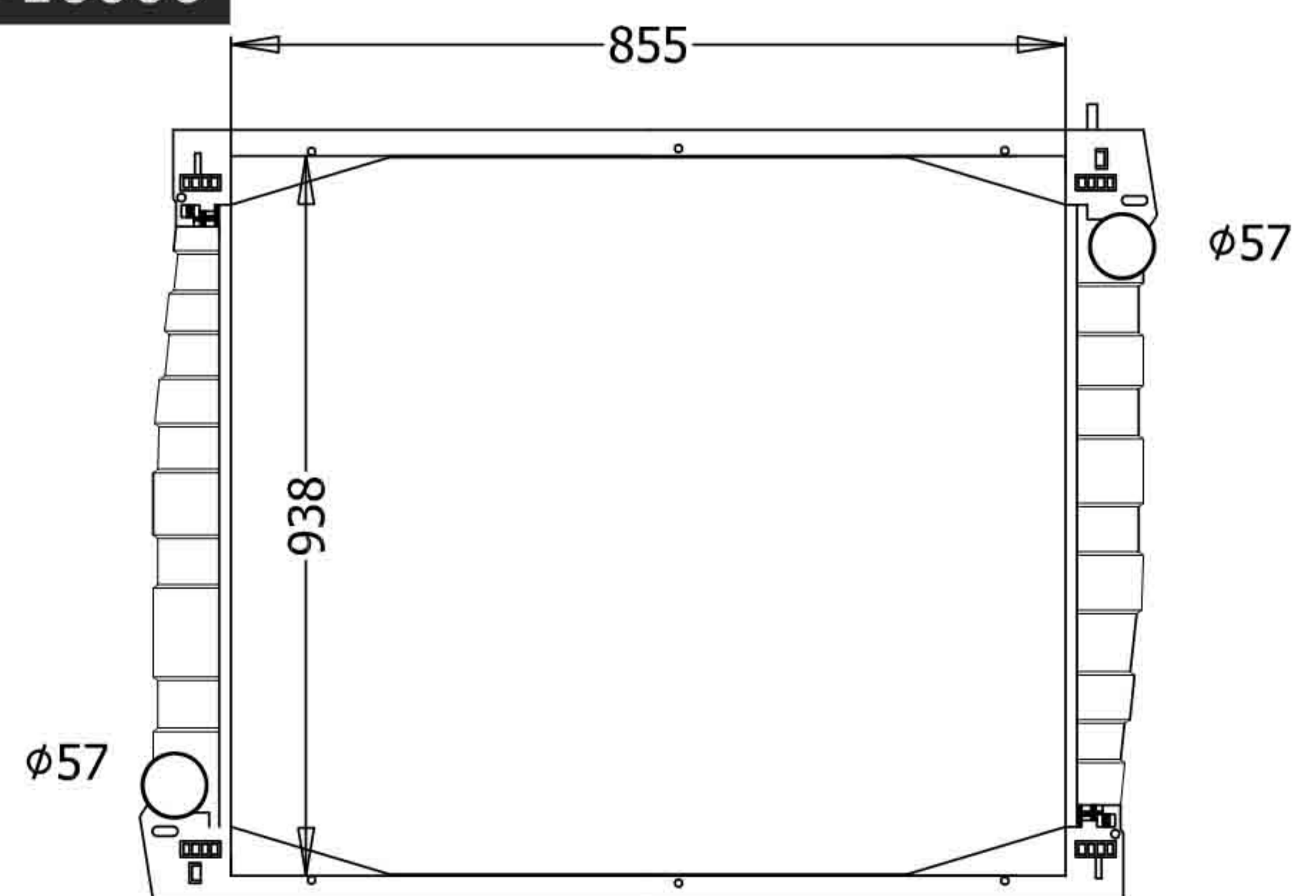
CARTYPE : R(89) 113 DSC11'89 MTM  
 CORE SIZE : BC: 715 × 1030 × 60  
 CORE SIZE :  
 OEM : 13218888/371625  
 NISSENS:64074

**SC-16005**



CARTYPE : P(95) 114 DSC11 MTM  
 CORE SIZE : BC : 860 × 678 × 48  
 CARTON:  
 OEM : 1365371/1439504/1516491/570468/  
 570473/570482/7517001  
 NISSENS:64068A

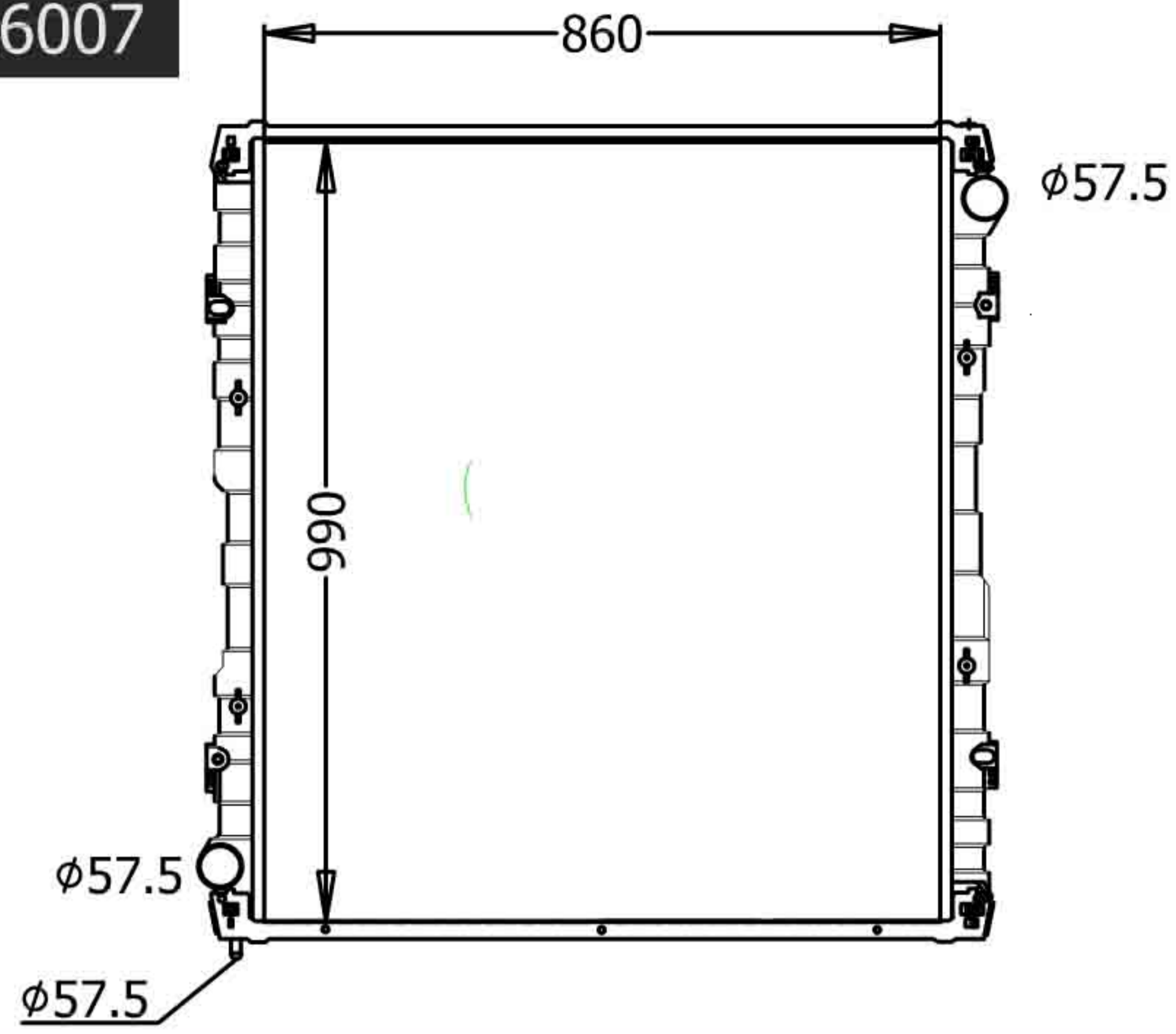
**SC-16006**



CARTYPE : MTM  
 CORE SIZE : BC: 855 × 938 × 42 TANK SIZE : 73\*965  
 CARTON :  
 OEM : 1327249/1408881  
 NISSENS:640690

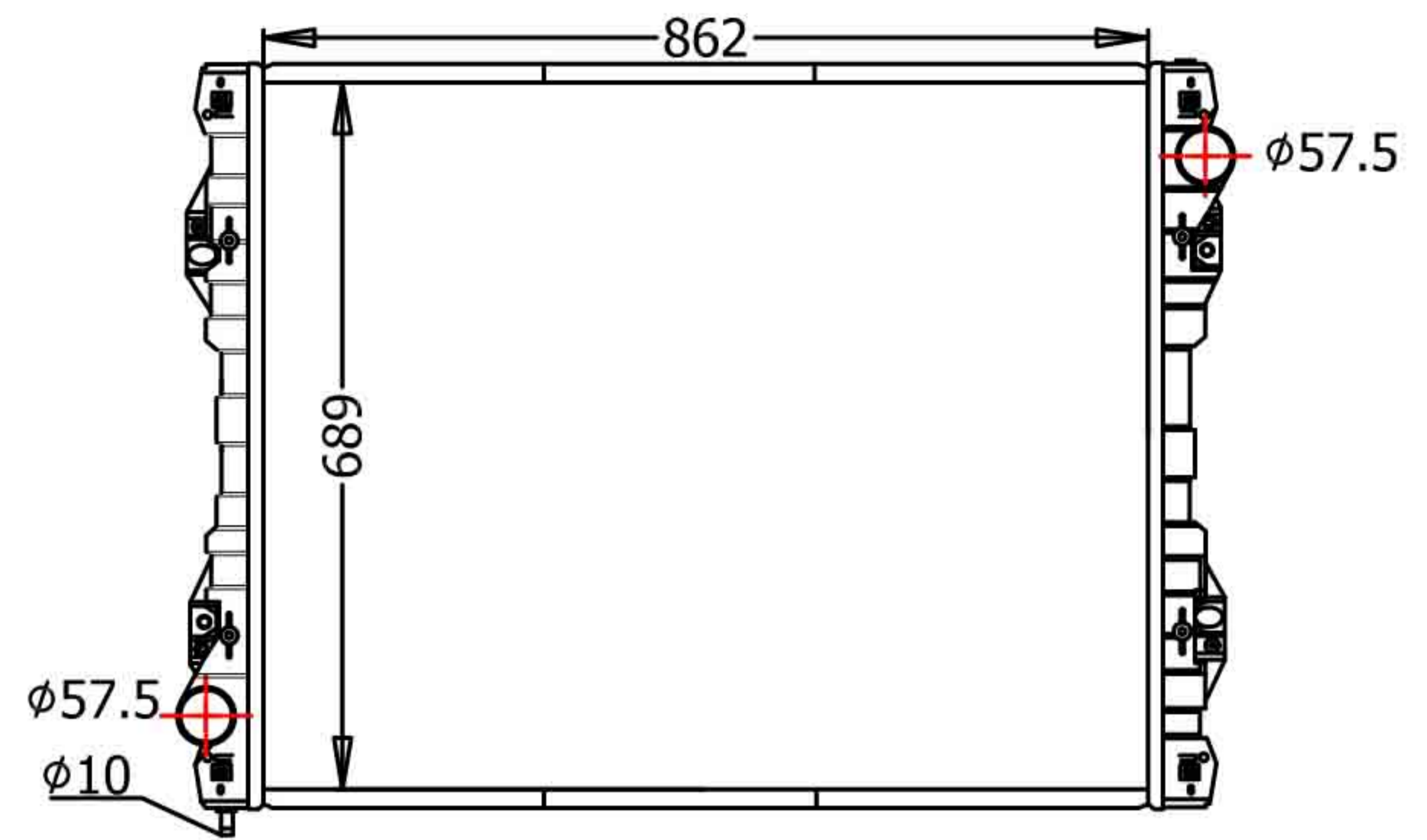
# SCANIA

SC-16007



CARTYPE : R340/420/470/500/580/620 2004 MTM  
CORE SIZE : BC: 860×990×60 TANK SIZE :  
CARTON :  
OEM : 1527653/1741588  
NISSENS:64067A

SC-16008



CARTYPE : SCANIA 9(04-) 360 DC13.09  
CORE SIZE : BC: 862×689×60  
CARTON :  
OEM :1491710/1766125/1784615  
NISSENS :672590

SC-16009

SC-16010

SC-16011

SC-16012