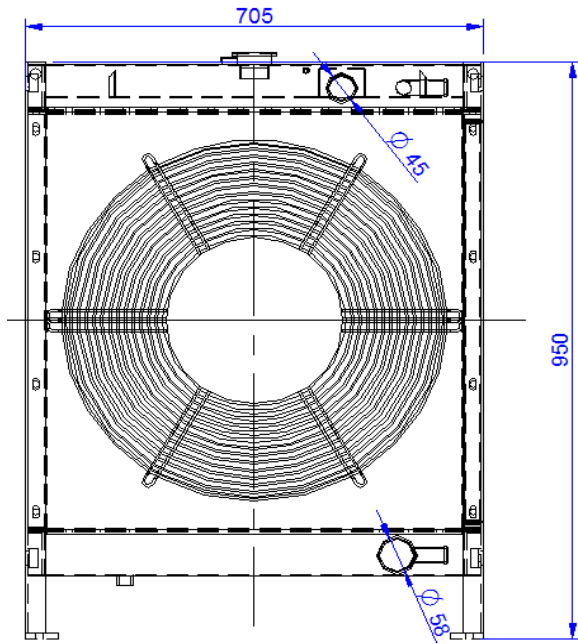


# Pakistan Engineering Industry

Manufacturer of Radiator Core & Assembly

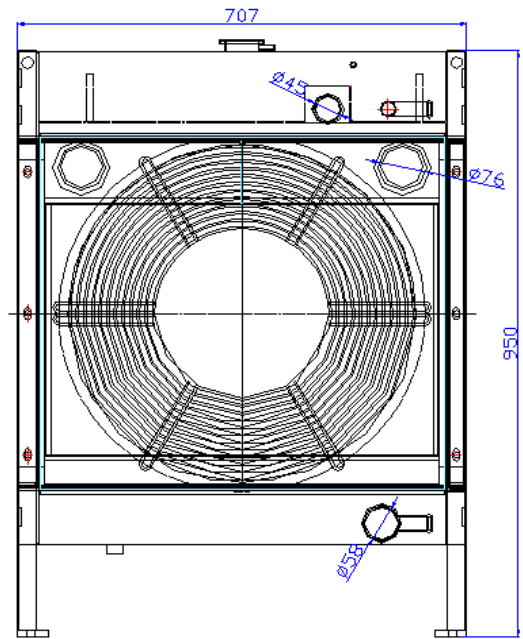
Generator Radiator Catalogue 2025-2026

51101



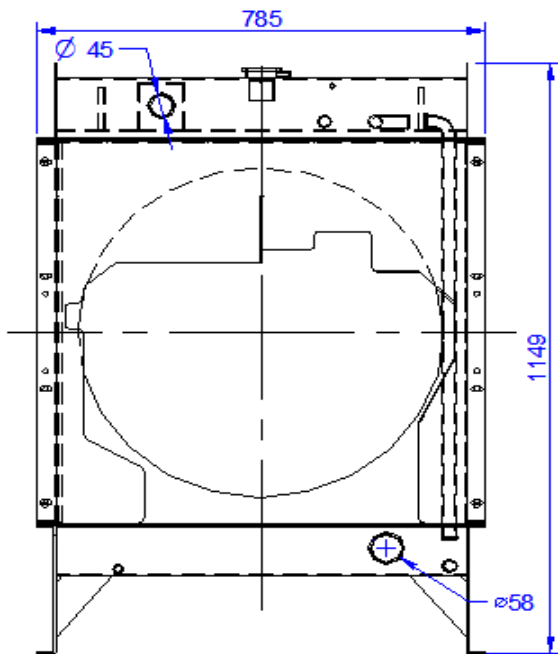
Engine model: Cummins 4BTA  
 Overall dimension: 950(H)\*705(W)\*320(T)  
 Core size: 688(H)\*641(W)\* 70(T)

51102



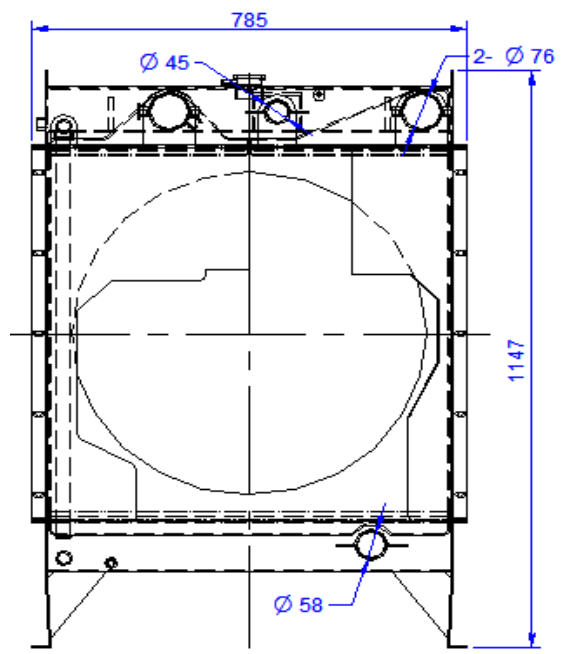
Engine model: Cummins 4BTAA  
 Overall dimension: 950(H)\*707(W)\*375(T)  
 Core size: JW555(H)\*641(W)\* 70(T)  
 AC 405(H)\*618(W)\* 41(T)

51103



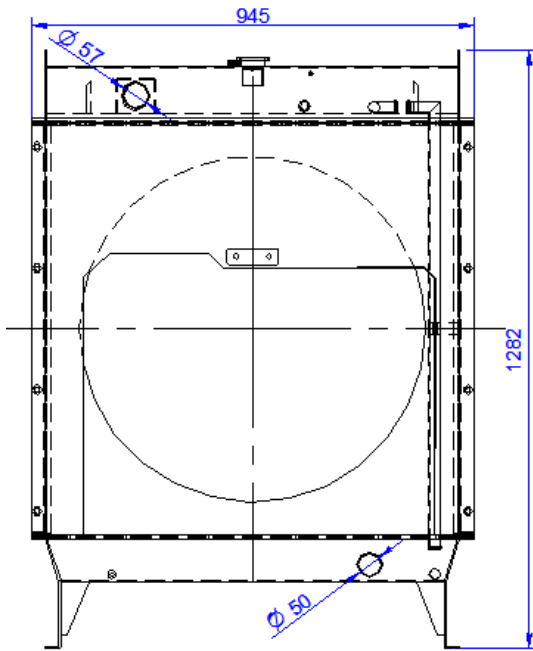
Engine model: Cummins 6BTA  
 Overall dimension: 1149(H)\*785(W)\*525(T)  
 Core size: 744(H)\*714.5(W)\* 88(T)

51104



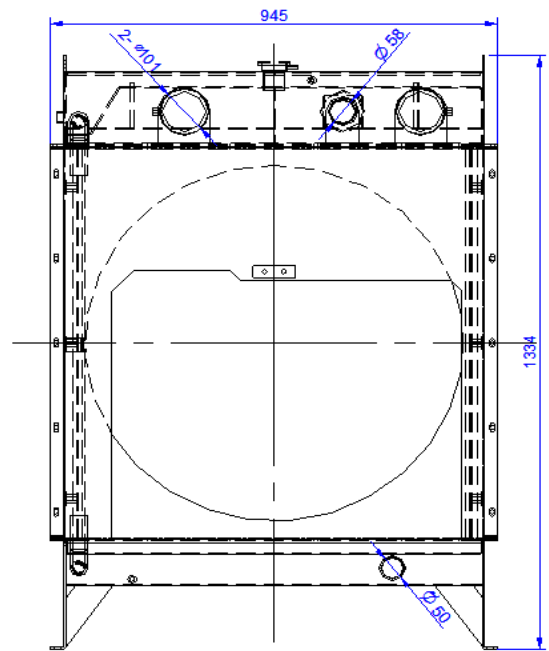
Engine model: Cummins 6BTAA  
 Overall dimension: 1147(H)\*785(W)\*575(T)  
 Core size: JW740(H)\*725(W)\* 106(T)  
 A C 705(H)\*714(W)\* 62(T)

51105



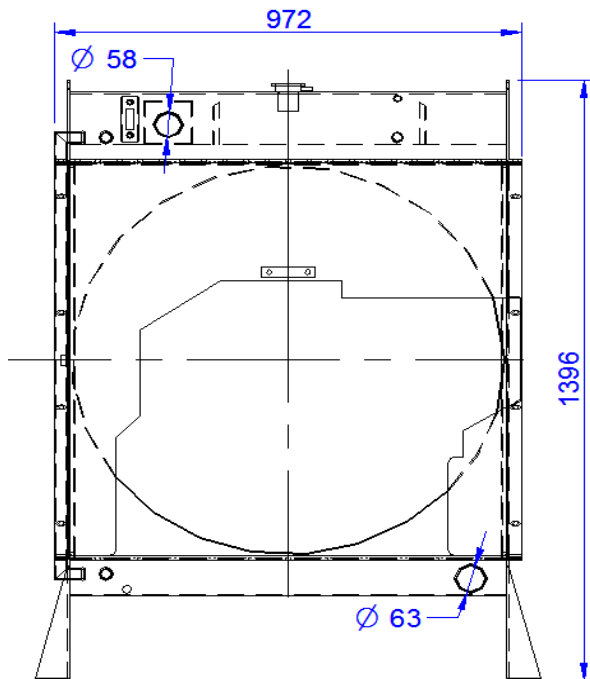
Engine model: Cummins 6CTA  
 Overall dimension: 1282(H)\*945(W)\*466(T)  
 Core size: 880(H)\*882.5(W)\*106(T)

51106



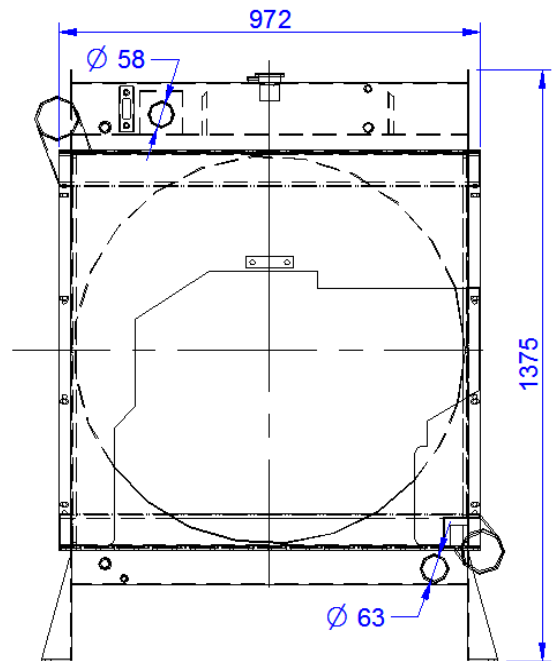
Engine model: Cummins 6CTAA  
 Overall dimension: 1334(H)\*945(W)\*537(T)  
 Core size: JW880(H)\*882(W)\*106(T)  
 A C 878(H)\*831(W)\*41(T)

51201



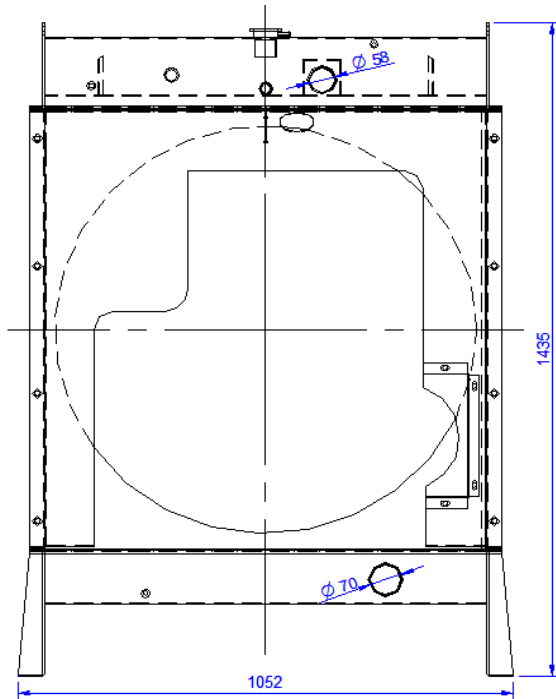
Engine model: Cummins MTA11-G2  
 Overall dimension: 1396(H)\*972(W)\*562(T)  
 Core size: 920(H)\*890(W)\*88(T)

51202



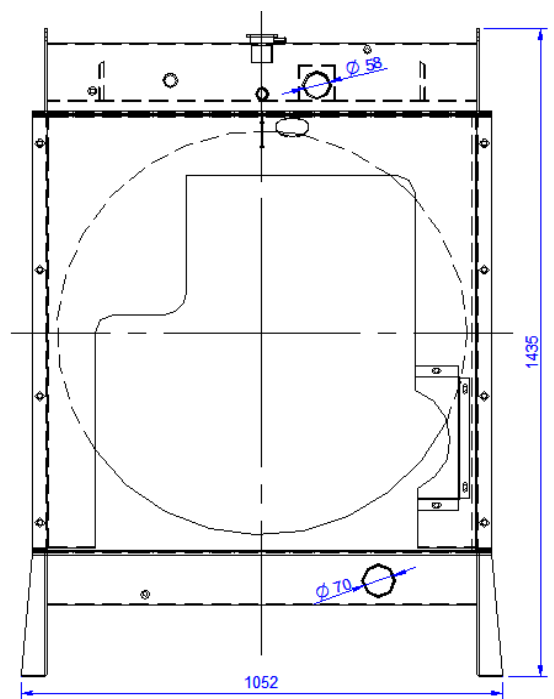
Engine model: Cummins MTAA11-G3  
 Overall dimension: 1375(H)\*972(W)\*645(T)  
 Core size: JW920(H)\*890(W)\*88(T)  
 A C 762(H)\*909(W)\*62(T)

51203



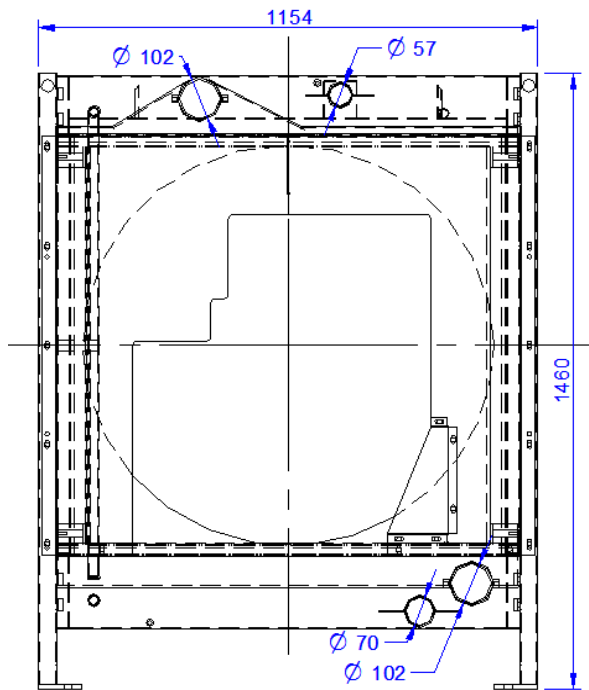
Engine model: Cummins NTA855GA  
 Overall dimension: 1435(H)\*1050(W)\*656(T)  
 Core size: 965(H)\*935(W)\*88(T)

51204



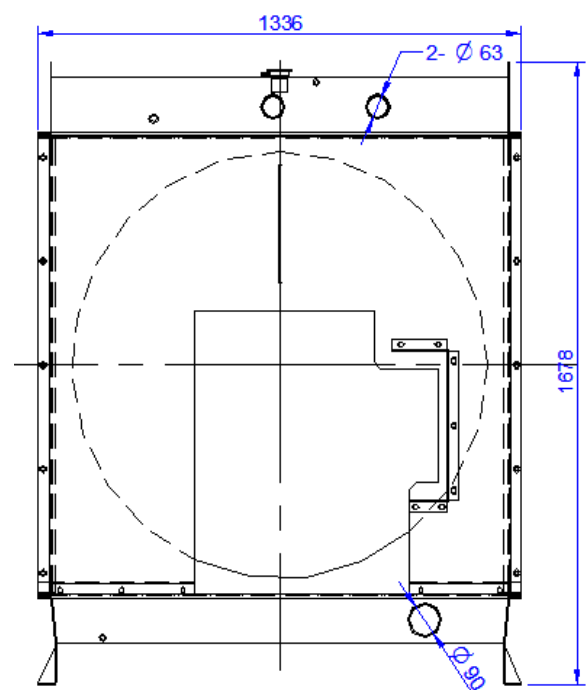
Engine model: Cummins NTA855G1/G2/G3/G4  
 Overall dimension: 1435(H)\*1050(W)\*656(T)  
 Core size: 965(H)\*935(W)\*106(T)

51205



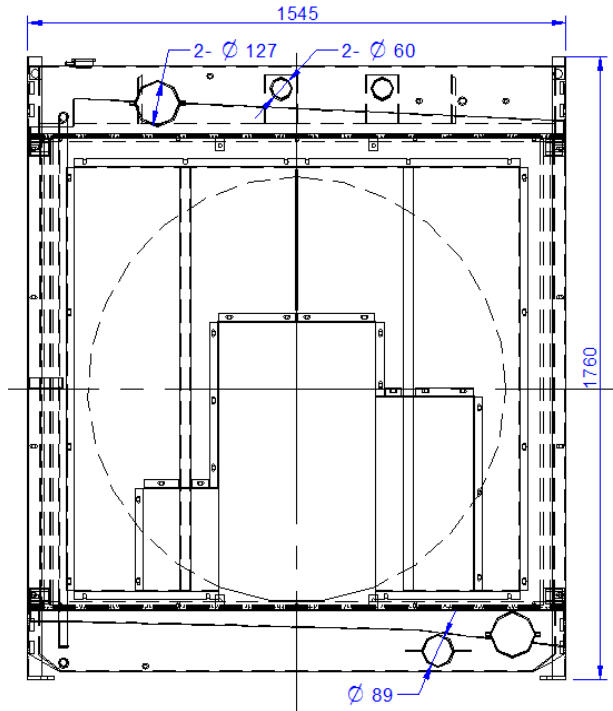
Engine model: Cummins NTAA855-G7/G7A  
 Overall dimension: 1460(H)\*1154(W)\*880(T)  
 Core size: JW994(H)\*1008.5(W)\*106(T)  
 A C 944(H)\*940(W)\*41(T)

51206



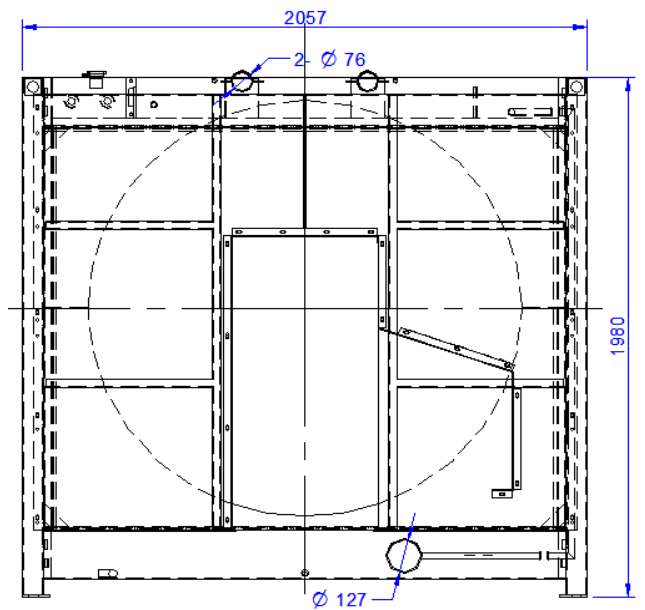
Engine model: Cummins KTA19-G2/G3/G4/G8  
 Overall dimension: 1375(H)\*972(W)\*645(T)  
 Core size: 1234(H)\*1261(W)\*106(T)

51207



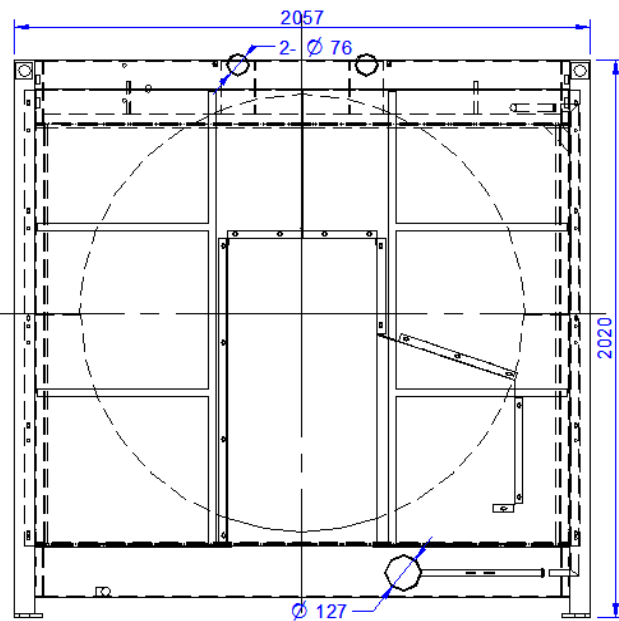
Engine model: CumminsKTAA19-G6/G7  
 Overall dimension: 1545(H)\*1760(W)\*909(T)  
 Core size: JW1330(H)\*1471(W)\* 106(T)  
 A C 1320(H)\*1418(W)\* 62(T)

51208



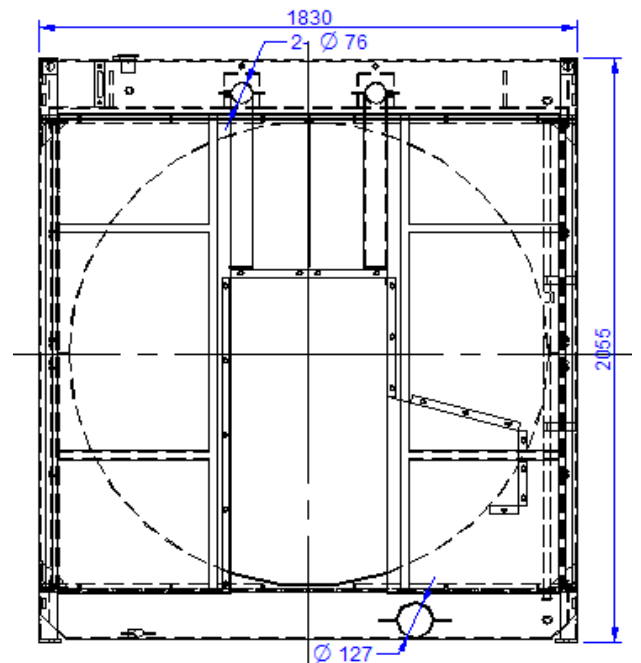
Engine model: CumminsKTA38-G2  
 Overall dimension: 2057(H)\*1980(W)\*867(T)  
 Core size: 1524(H)\*1838(W)\* 88(T)

51209



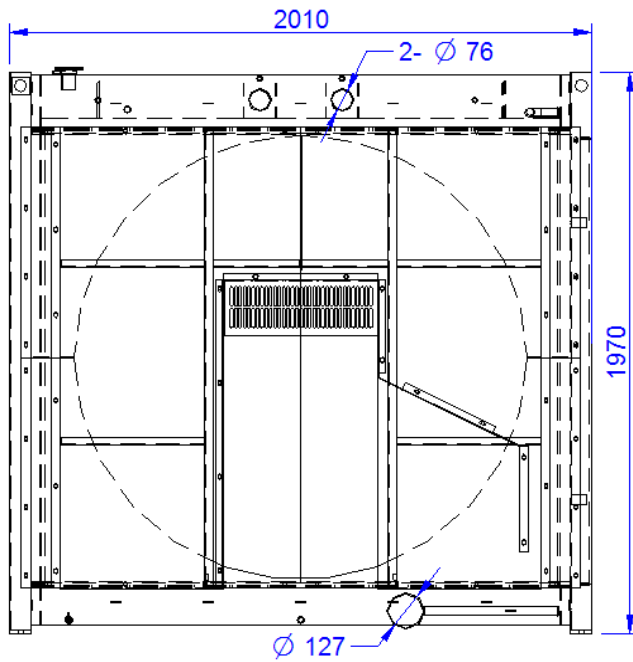
Engine model: CumminsKTA38-G5  
 Overall dimension: 2057(H)\*2020(W)\*867(T)  
 Core size: 1524(H)\*1838(W)\* 88(T)

51210



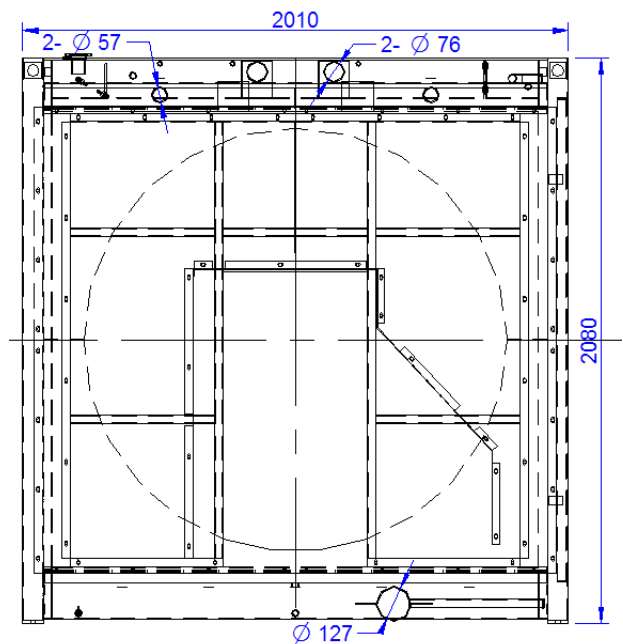
Engine model: CumminsKTA38-G9  
 Overall dimension: 2055(H)\*1830(W)\*1054(T)  
 Core size: 1650(H)\*1744(W)\*130(T)

51211



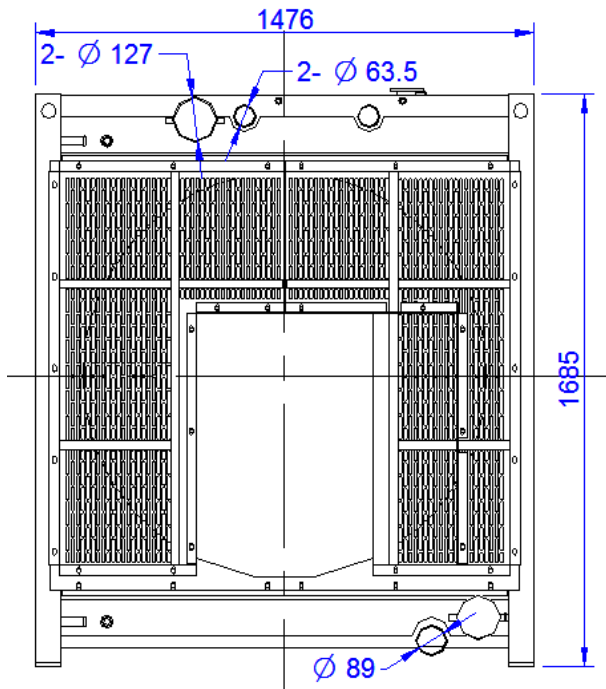
Engine model: CumminsKTA50-G3  
 Overall dimension: 1970(H)\*2010(W)\*1132(T)  
 Core size: 1600(H)\*1792(W)\* 106(T)

51212



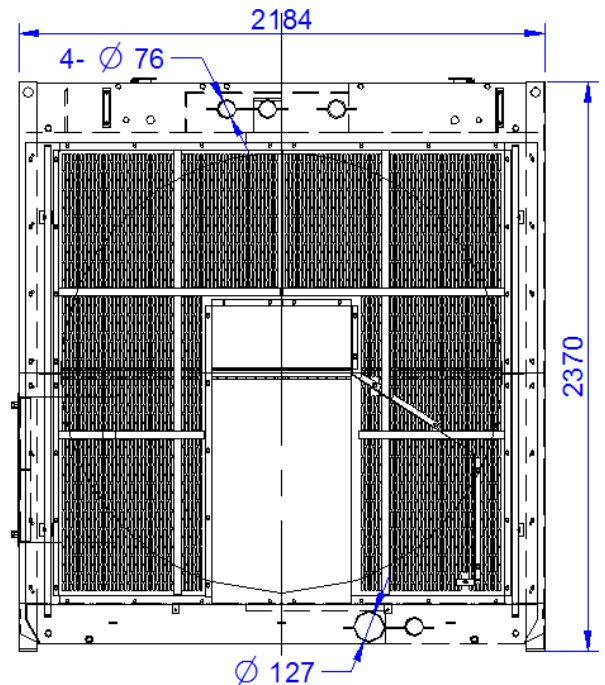
Engine model: CumminsKTA50-G8  
 Overall dimension: 2080(H)\*2010(W)\*1335(T)  
 Core size: JW1700(H)\*1792(W)\* 106(T)  
 A C 1700(H)\*1792(W)\* 52(T)

51213



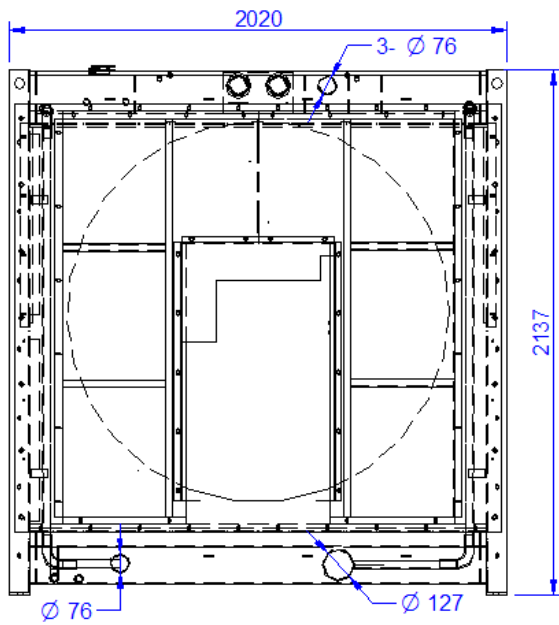
Engine model: CumminsQSK19-G3  
 Overall dimension: 1685(H)\*1476(W)\*812(T)  
 Core size: JW1225(H)\*1254(W)\* 106(T)  
 A C 1289(H)\*1248(W)\* 62(T)

51214



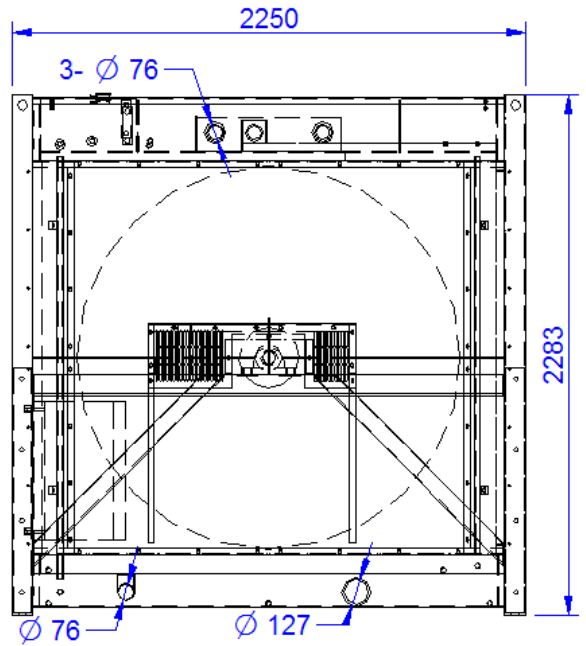
Engine model: CumminsQSK38-G  
 Overall dimension: 2370(H)\*2184(W)\*967(T)  
 Core size: 1905(H)\*2105(W)\*106(T)

51215



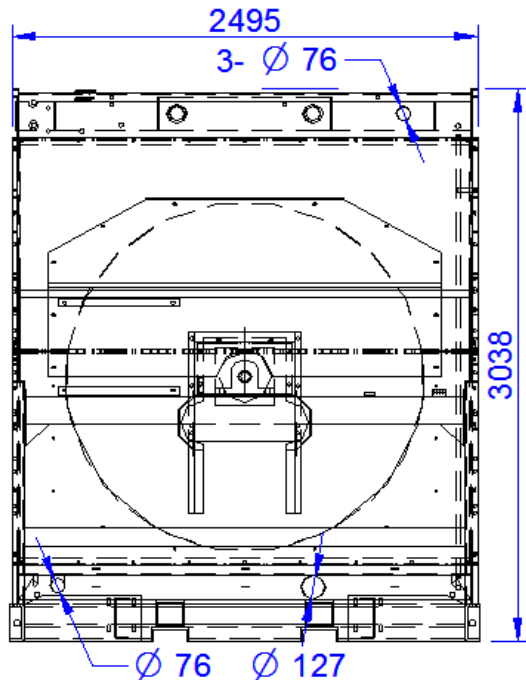
Engine model: CumminsQST30-G4  
 Overall dimension: 2137(H)\*2020(W)\*1132(T)  
 Core size: JW1650(H)\*1770(W)\* 70(T)  
 A C 1650(H)\*1770(W)\* 52(T)

51216



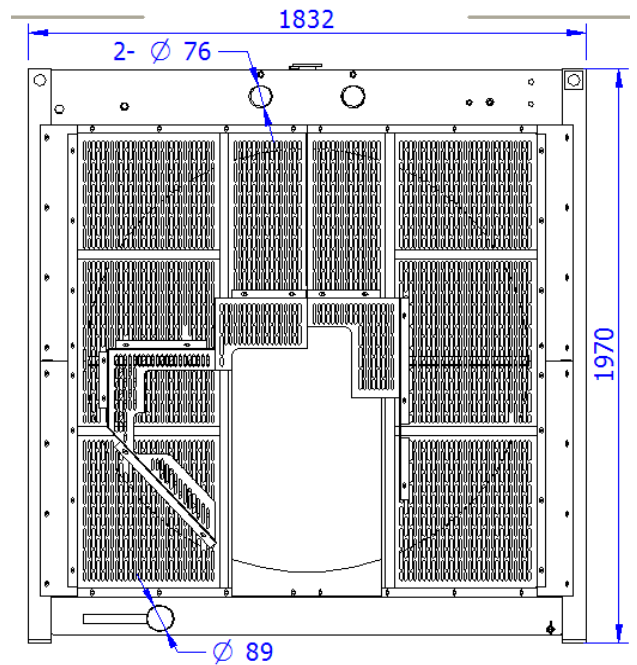
Engine model: CumminsQSK60-G3/G4  
 Overall dimension: 2283(H)\*2250(W)\*1396(T)  
 Core size: JW1724(H)\*2070(W)\* 106(T)  
 A C 1724(H)\*2070(W)\* 70(T)

51217

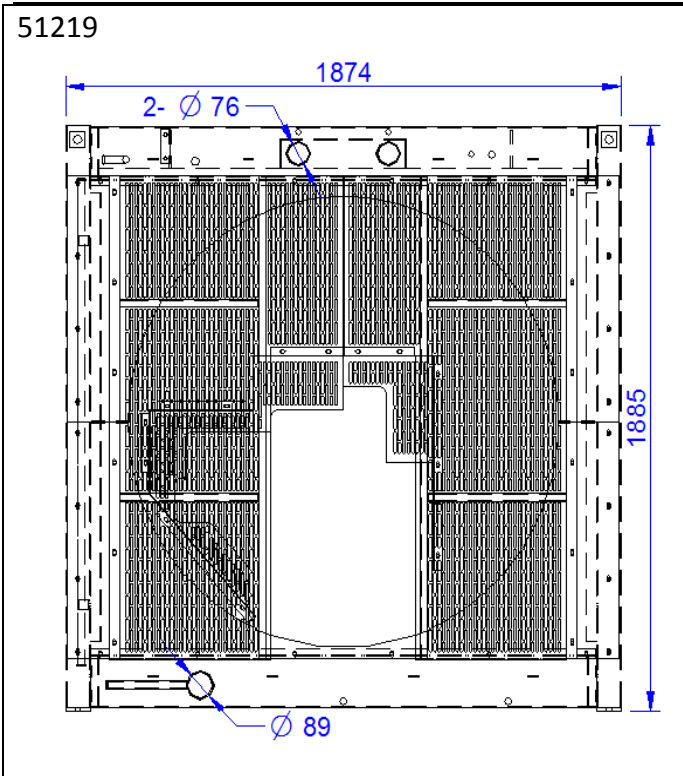


Engine model: CumminsQSK60-G8  
 Overall dimension: 3038(H)\*2495(W)\*1674(T)  
 Core size: JW2333(H)\*2419(W)\* 70(T)  
 A C 2333(H)\*2419(W)\* 52(T)

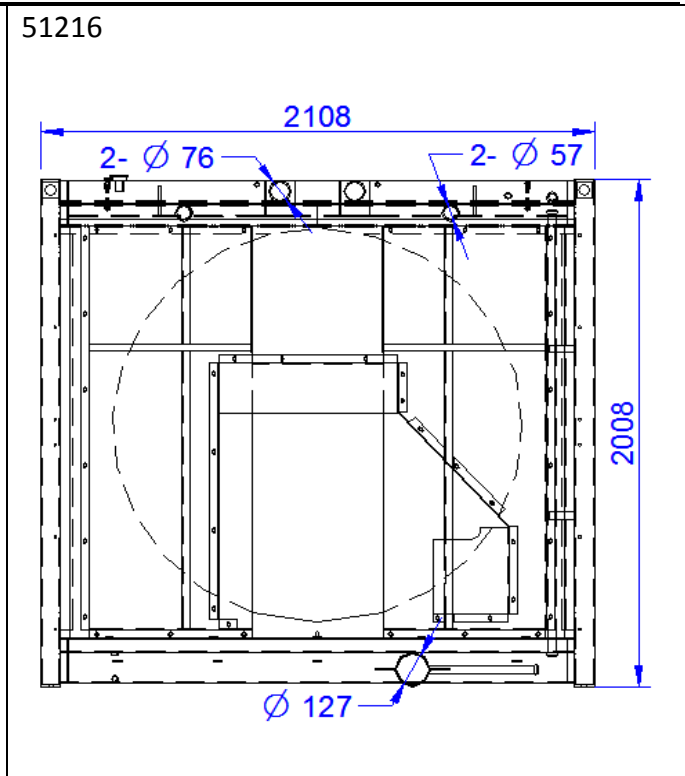
51218



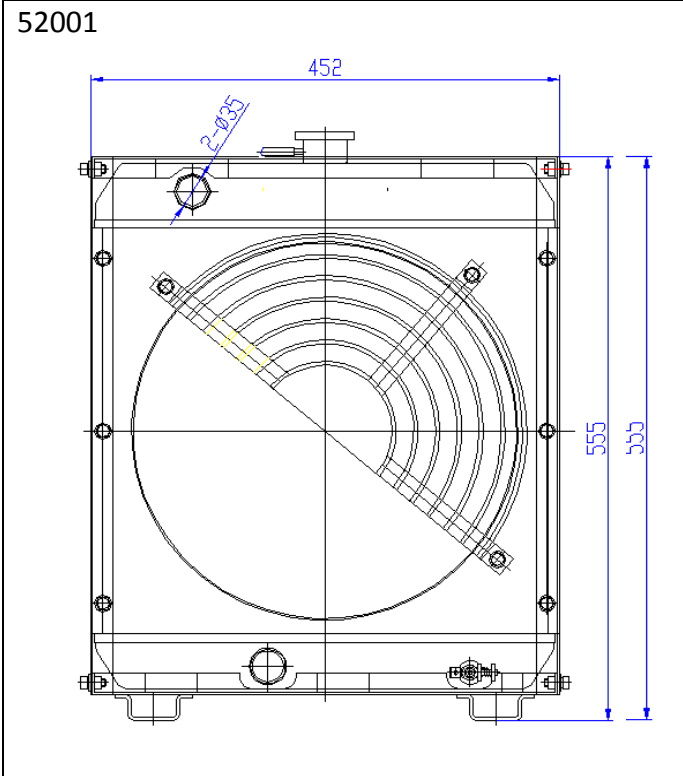
Engine model: CumminsVTA28-G5  
 Overall dimension: 1970(H)\*1832(W)\*838(T)  
 Core size: 1600(H)\*1768(W)\*70(T)



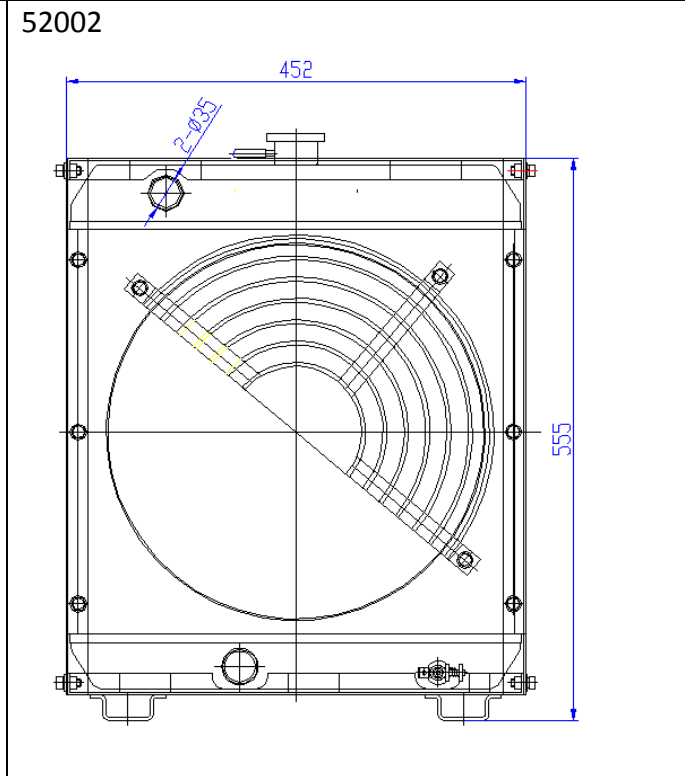
Engine model: CumminsVTA28-G6  
 Overall dimension: 1885(H)\*1874(W)\*817(T)  
 Core size: 1524(H)\*1635(W)\* 106(T)



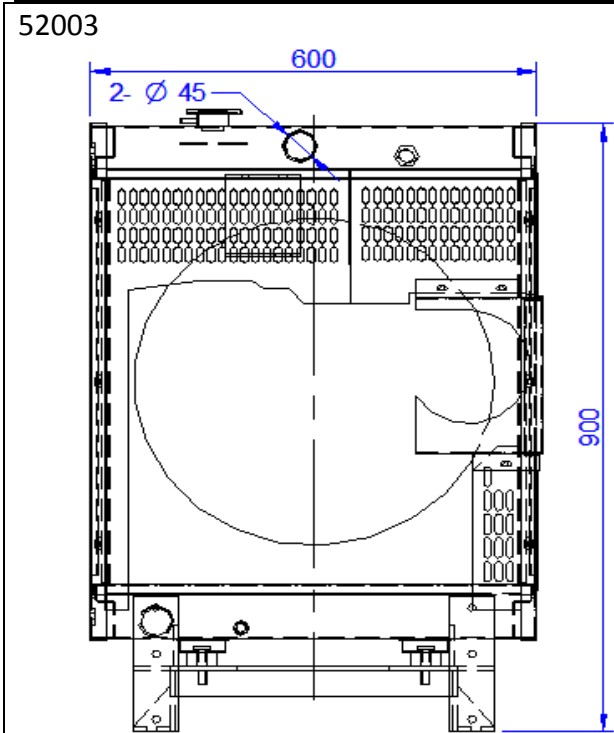
Engine model: CumminsKTA50-GS8  
 Overall dimension: 2008(H)\*21080(W)\*1340(T)  
 Core size: JW1631(H)\*1881(W)\* 106(T)  
 A C 1631(H)\*1881(W)\* 52(T)



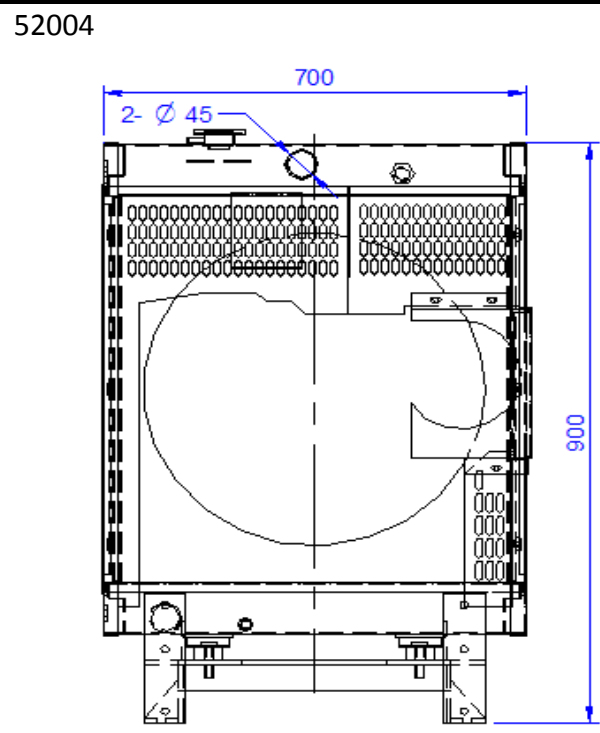
Engine model: Perkins 403D-15G  
 Overall dimension: 555(H)\*452(W)\*210(T)  
 Core size: 400(H)\*422.5(W)\* 52(T)



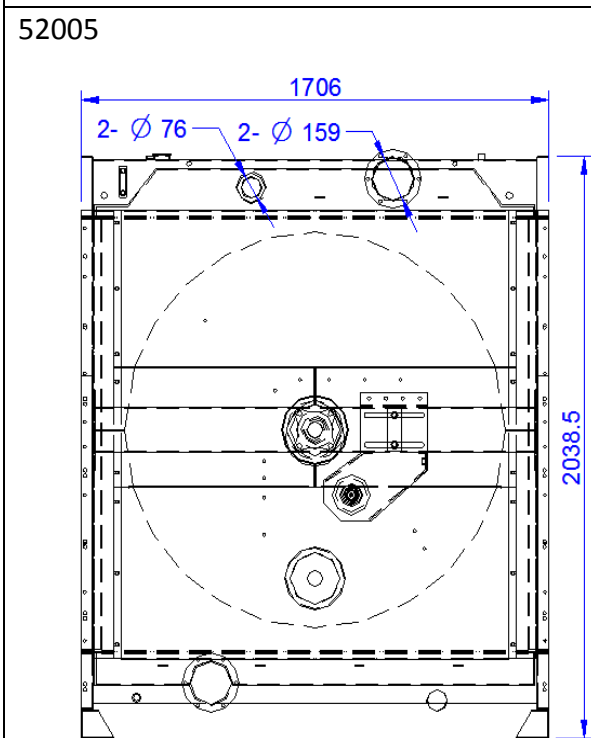
Engine model: Perkins 404D-22G  
 Overall dimension: 555(H)\*452(W)\*210(T)  
 Core size: 400(H)\*430(W)\* 70(T)



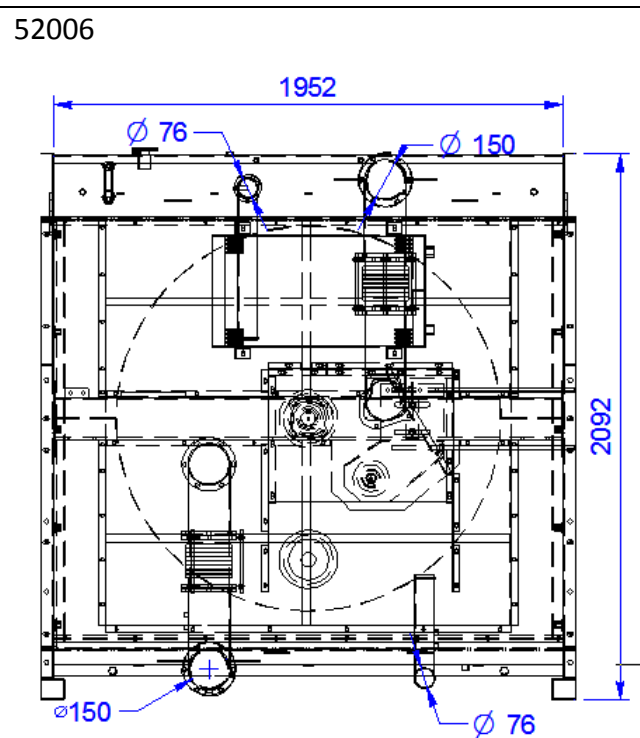
Engine model:Perkins 1103A-33G  
 Overall dimension:900(H)\*600(W)\*410(T)  
 Core size: 600(H)\*571(W)\* 52(T)



Engine model:Perkins 1103A-33TG1/TG2  
 Overall dimension:900(H)\*700(W)\*410(T)  
 Core size: 600(H)\*671(W)\*70(T)

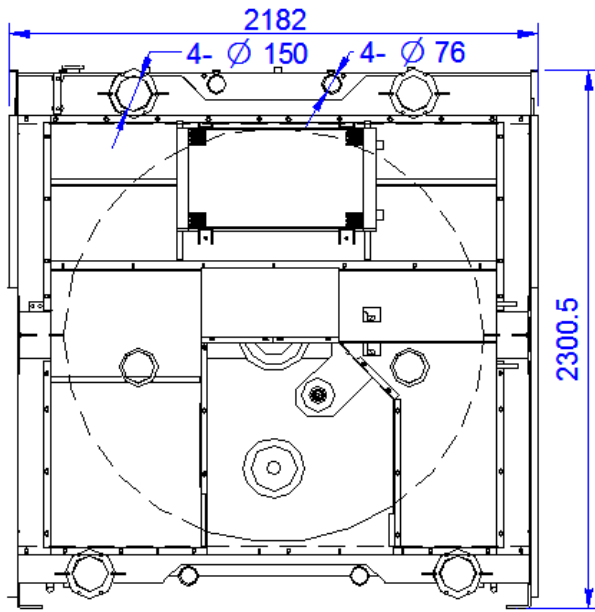


Engine model:Perkins4006-23TAG3A  
 Overall dimension:2038.5(H)\*1706(W)\*943(T)  
 Core size: JW1523(H)\*1612(W)\* 88(T)  
 A C 1510(H)\*1554(W)\* 90(T)



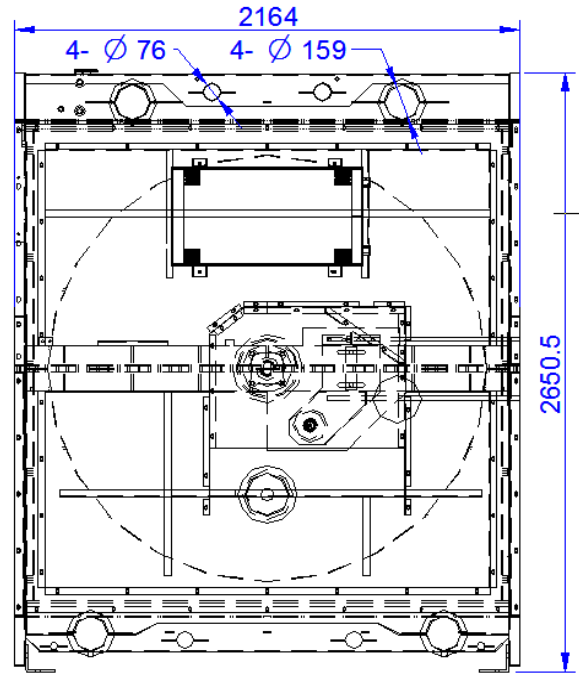
Engine model:Perkins 4008-TAG2A  
 Overall dimension:2092(H)\*1952(W)\*1026.5(T)  
 Core size: JW1642(H)\*1952(W)\* 88(T)  
 A C 1595(H)\*1866(W)\* 90(T)

52007



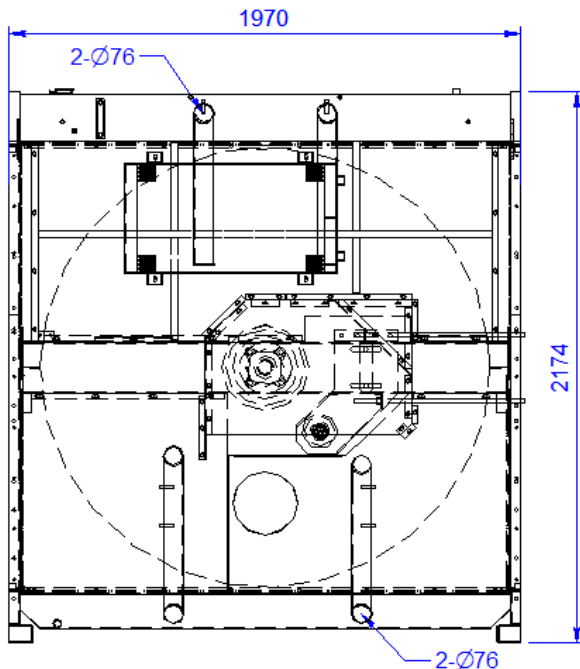
Engine model:Perkins 4012-46TAG2A  
 Overall dimension:2300.5(H)\*2182(W)\*1130(T)  
 Core size: JW1793(H)\*2100(W)\* 88(T)  
 A C 1765(H)\*2037(W)\* 90(T)

52008



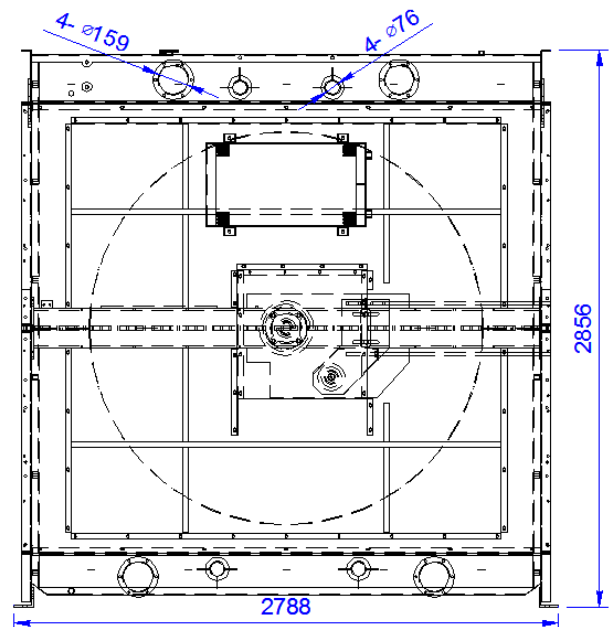
Engine model:Perkins 4012-46TAG3A  
 Overall dimension:2650.5(H)\*2164(W)\*1060(T)  
 Core size: JW2188(H)\*2078(W)\* 106(T)  
 A C 2082(H)\*2008(W)\* 90(T)

52009



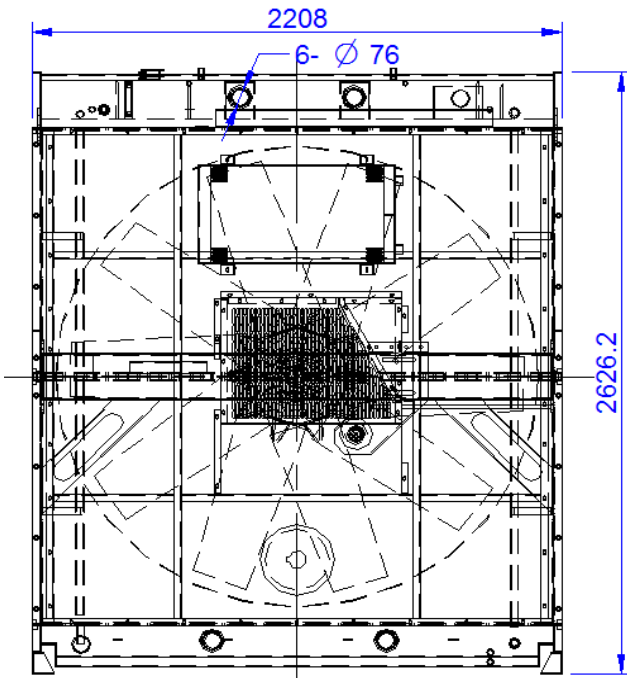
Engine model:Perkins 4006-46TWG2A  
 Overall dimension:2174(H)\*1970(W)\*921.5(T)  
 Core size: 1753(H)\*1881(W)\* 88(T)

52010



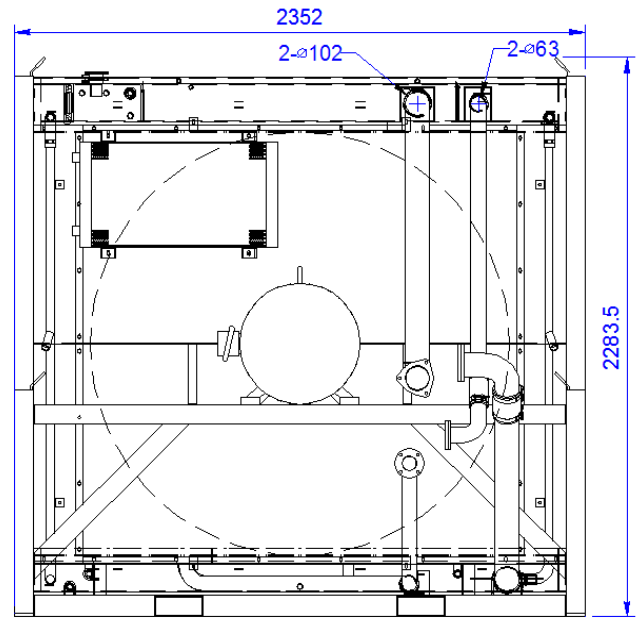
Engine model:Perkins 4016-TAG2A  
 Overall dimension:2856(H)\*2788(W)\*1152.5(T)  
 Core size: JW2300(H)\*2602.5(W)\*103(T)  
 A C 2295(H)\*2530(W)\* 90(T)

52011



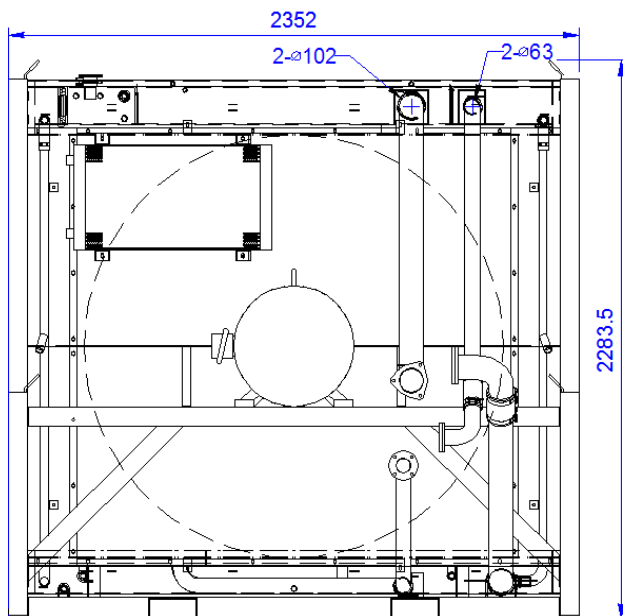
Engine model:Perkins 4016-61TRG3  
 Overall dimension:2626.2(H)\*2208(W)\*1478(T)  
 Core size: JW2133.5(H)\*2127(W)\*150(T)  
 A C 2133.5(H)\*2127(W)\* 88(T)

53001



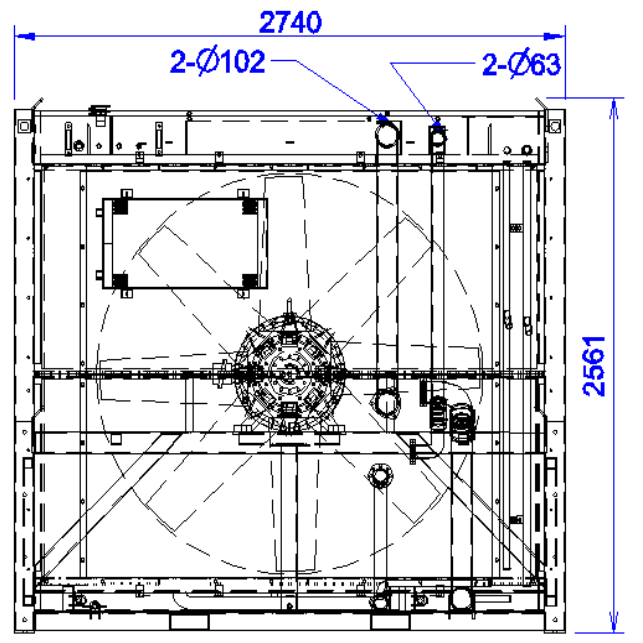
Engine model:MTU12V4000G23  
 Overall dimension:2283.5(H)\*2352(W)\*1695(T)  
 Core size: JW1722(H)\*2127(W)\*88(T)  
 A C 1693.5(H)\*2127(W)\* 52(T)

53002



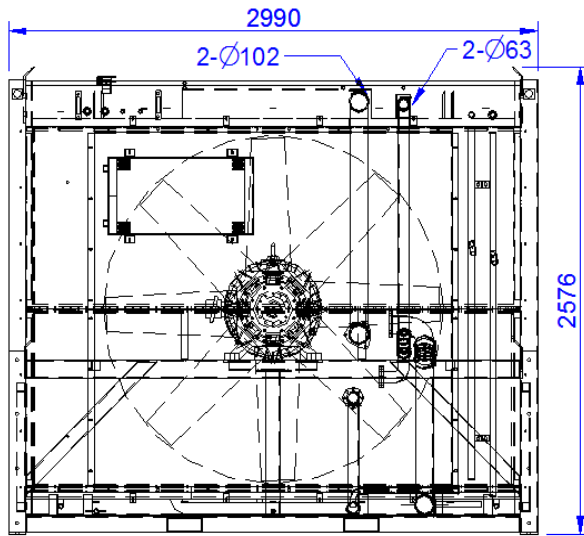
Engine model:MTU 12V4000G63  
 Overall dimension:2283.5(H)\*2352(W)\*1740(T)  
 Core size: JW1722(H)\*2127(W)\*88(T)  
 A C 1693.5(H)\*2127(W)\* 52(T)

53003



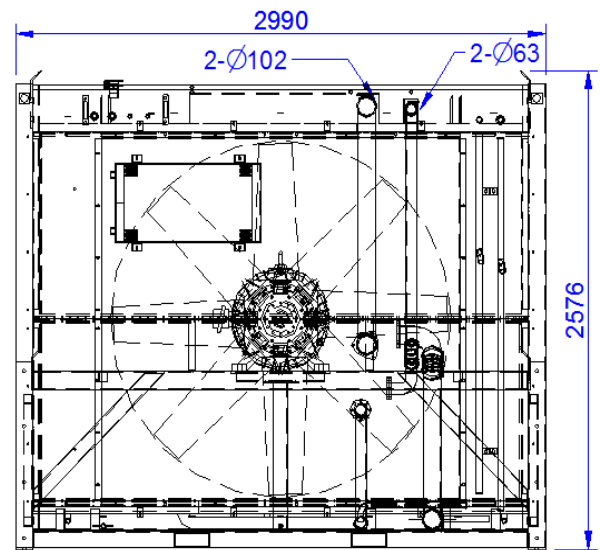
Engine model:MTU 16V4000G23/G63  
 Overall dimension:2561(H)\*2740(W)\*1842(T)  
 Core size: JW1977(H)\*2463(W)\*70(T)  
 A C 1977(H)\*2463(W)\* 52(T)

53004



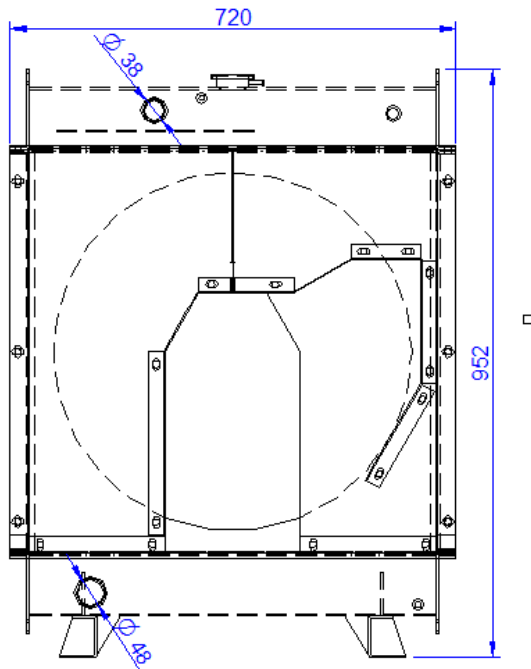
Engine model:MTU 20V4000G23  
 Overall dimension:2576(H)\*2990(W)\*1907(T)  
 Core size: JW2006(H)\*2710(W)\*70(T)  
 A C1978(H)\*2710(W)\* 52(T)

53005



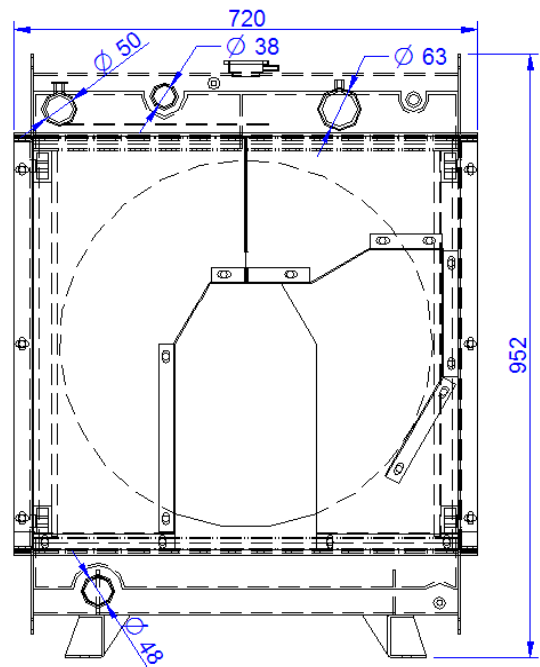
Engine model:MTU 20V4000G63/G63L  
 Overall dimension:2283.5(H)\*2352(W)\*2087(T)  
 Core size: JW1722(H)\*2127(W)\*88(T)  
 A C 1693.5(H)\*2127(W)\* 52(T)

54001



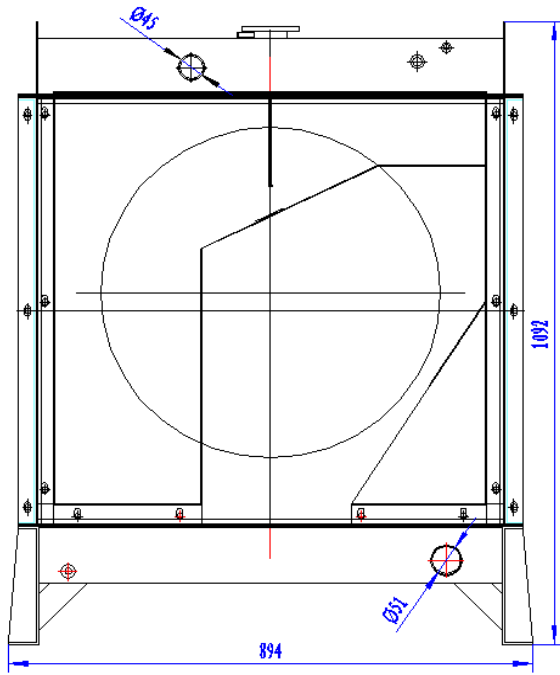
Engine model:John Deer 3029TFG89  
 Overall dimension:952(H)\*720(W)\*437.5(T)  
 Core size: 650(H)\*662(W)\*52(T)

54002



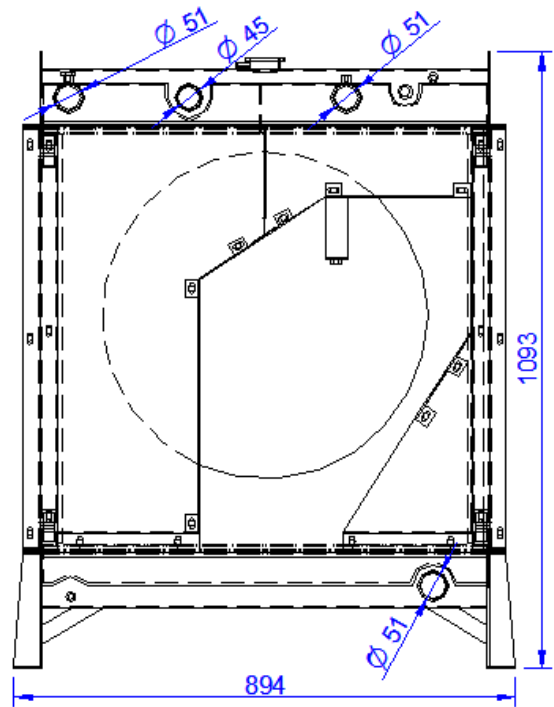
Engine model:John Deer 3029HFG89  
 Overall dimension:952(H)\*720(W)\*458.5(T)  
 Core size: JW 650(H)\*662(W)\*52(T)  
 A C 610(H)\*605(W)\*41(T)

54003



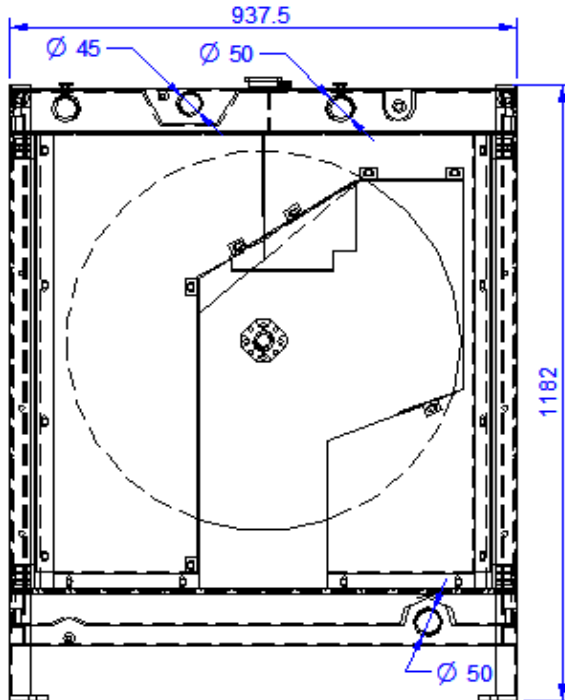
Engine model: John Deer 4045TF280  
 Overall dimension: 1092(H)\*894(W)\*435(T)  
 Core size: 748(H)\*796(W)\*52(T)

54004



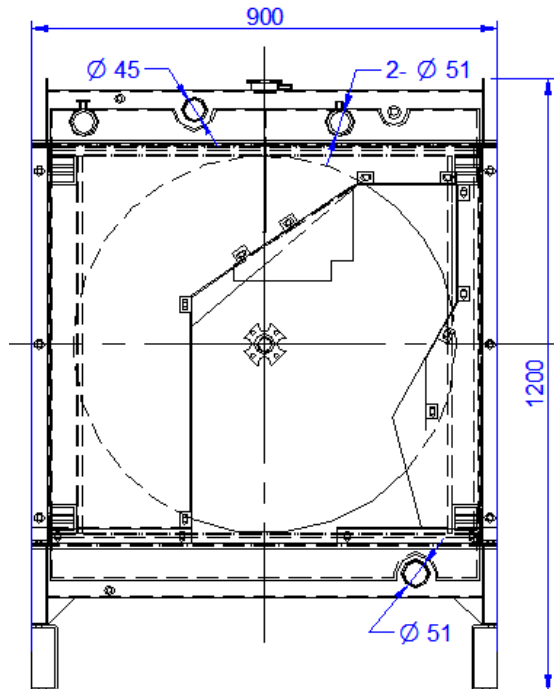
Engine model: John Deer 4045HF280  
 Overall dimension: 1093(H)\*894(W)\*525(T)  
 Core size: JW750(H)\*798.5(W)\*52(T)  
 A C 728(H)\*742.5(W)\*41(T)

54005



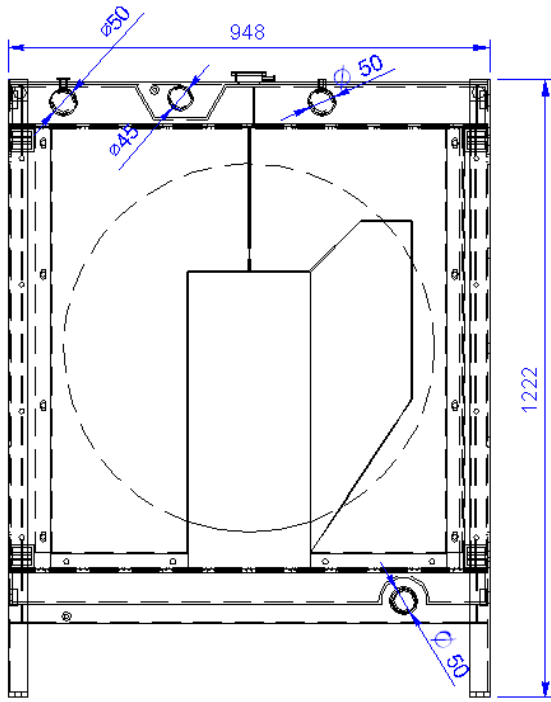
Engine model: John Deer 4045HF285 (147KW)  
 Overall dimension: 1182(H)\*937.5(W)\*643(T)  
 Core size: JW 880(H)\*882.5(W)\*70(T)  
 A C 870(H)\*849(W)\*41(T)

54006



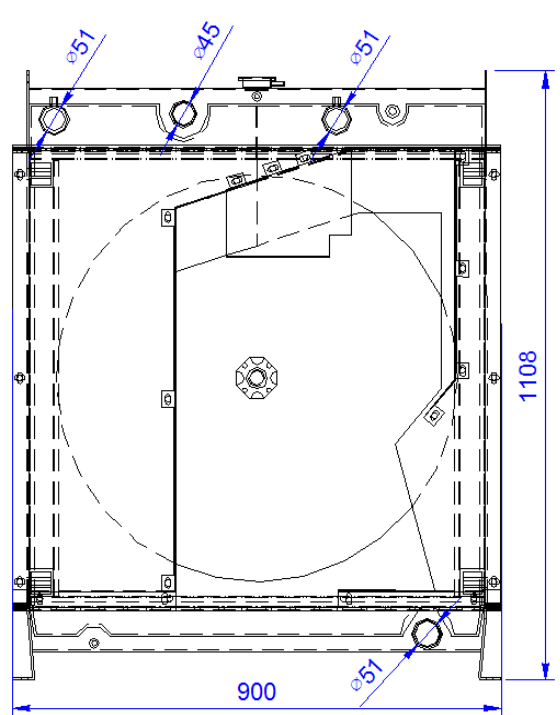
Engine model: John Deer 4045HF285(118/94KW)  
 Overall dimension: 1200(H)\*900(W)\*587.5(T)  
 Core size: JW 780(H)\*830(W)\*70(T)  
 A C 740(H)\*725(W)\*41(T)

54007



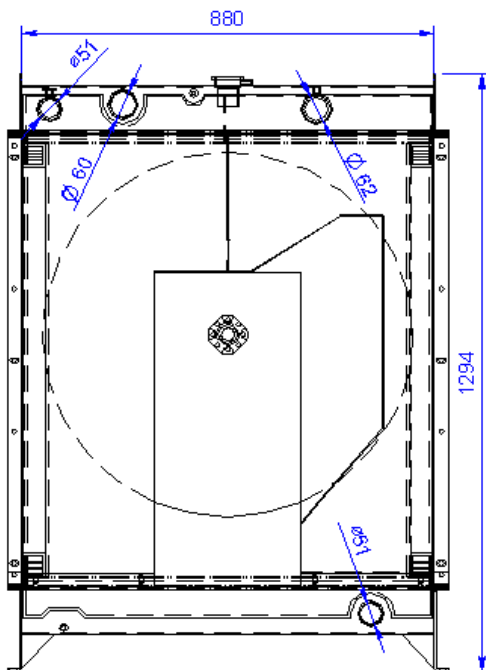
Engine model:John Deer 4045HF285 (147KW)  
 Overall dimension:1222(H)\*948(W)\*509(T)  
 Core size: JW 880(H)\*882.5(W)\*70(T)  
 A C 870(H)\*849(W)\*41(T)

54008



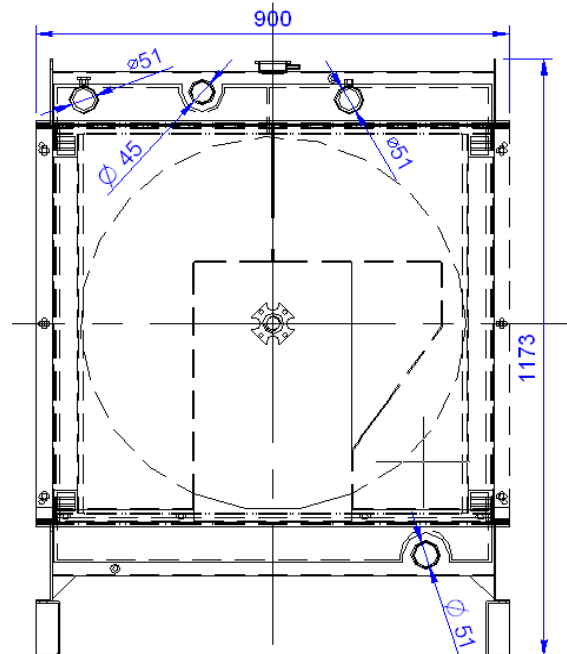
Engine model:John Deer 6068HF285(177kw)  
 Overall dimension:1108(H)\*900(W)\*627.5(T)  
 Core size: JW 830(H)\*840.5(W)\*88(T)  
 A C 794(H)\*749(W)\*41(T)

54009



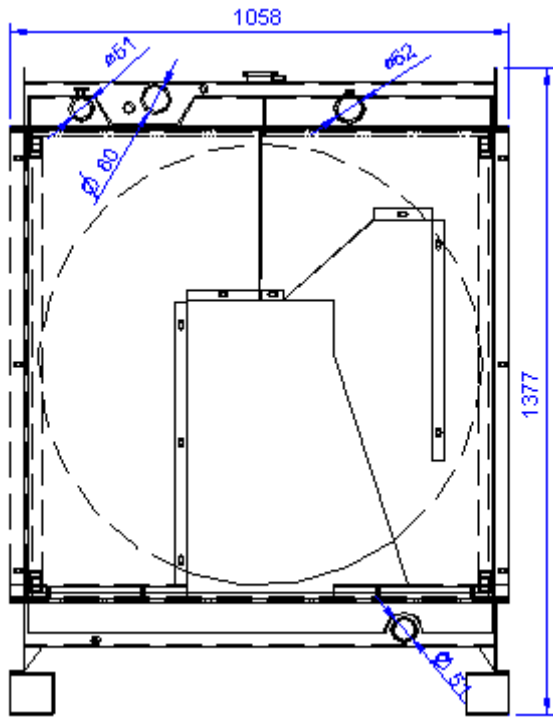
Engine model:John Deer 4045HF285(177KW)  
 Overall dimension:1294(H)\*880(W)\*499(T)  
 Core size: JW 980(H)\*872(W)\*88(T)  
 A C 940(H)\*778(W)\*41(T)

54010



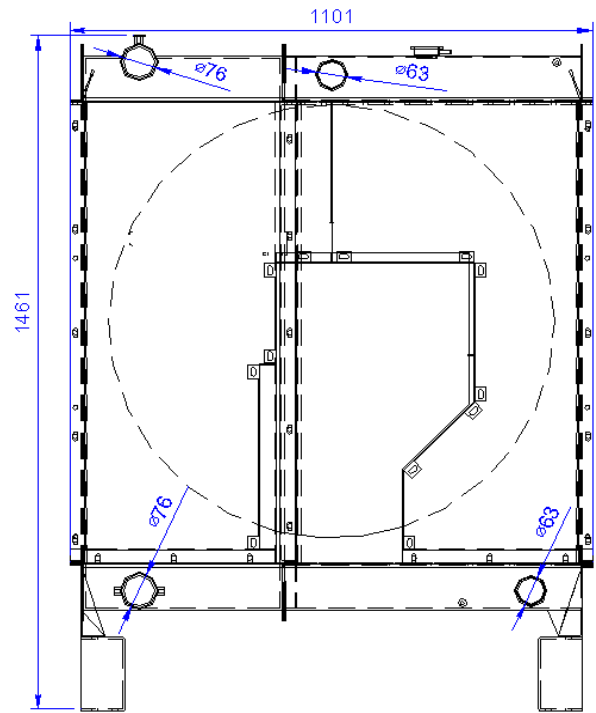
Engine model:John Deer 6068HFG82(212KW)  
 Overall dimension:1173(H)\*900(W)\*481.5(T)  
 Core size: JW 780(H)\*830(W)\*88(T)  
 AC 744(H)\*742.5(W)\*62(T)

54011



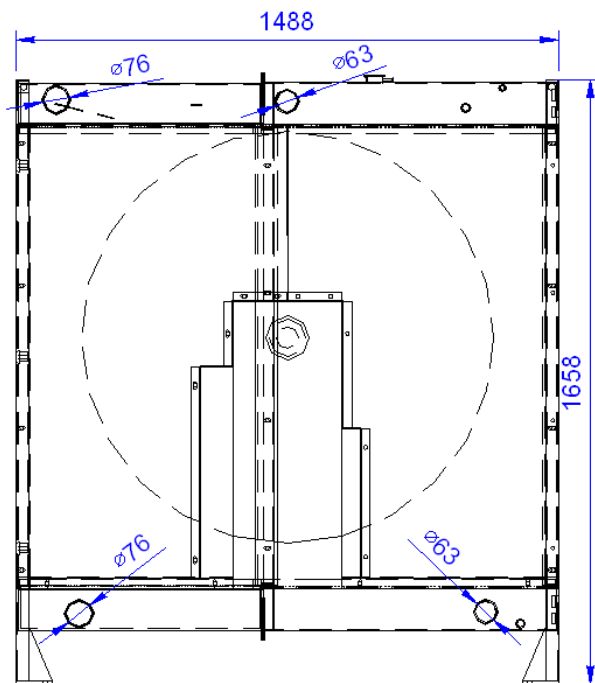
Engine model:John Deer 6068HF485 (234KW)  
 Overall dimension:1377(H)\*1058(W)\*669(T)  
 Core size: JW 1000(H)\*987.5(W)\*70(T)  
 A C 990(H)\*925(W)\*62(T)

54012



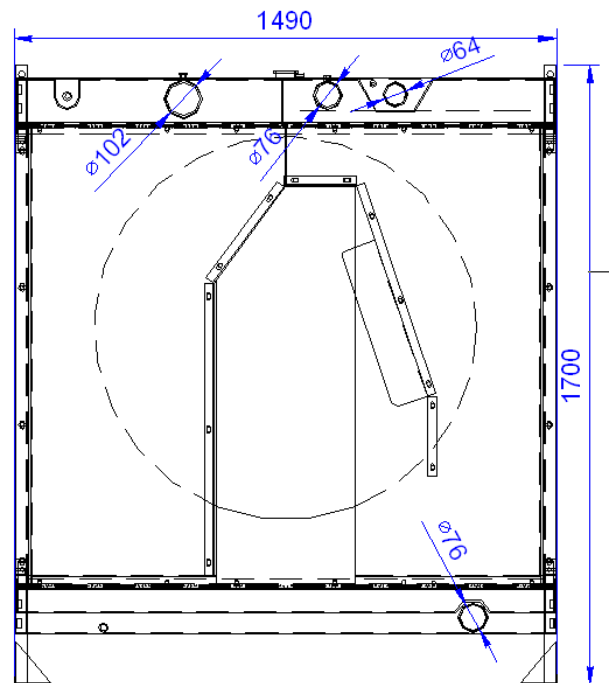
Engine model:John Deer 6090HF484(287/315kw)  
 Overall dimension:1466(H)\*1101(W)\*737(T)  
 Core size: JW 1000(H)\*599(W)\*106(T)  
 A C 1000(H)\*417(W)\*62(T)

54013



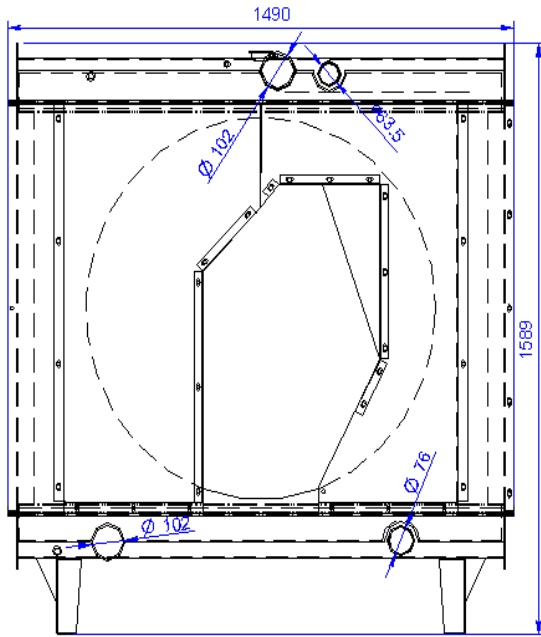
Engine model:John Deer 6090HFG86(345KW)  
 Overall dimension:1658(H)\*1488(W)\*732(T)  
 Core size: JW1260(H)\*746(W)\*88(T)  
 A C 1255(H)\*621(W)\*96(T)

54014



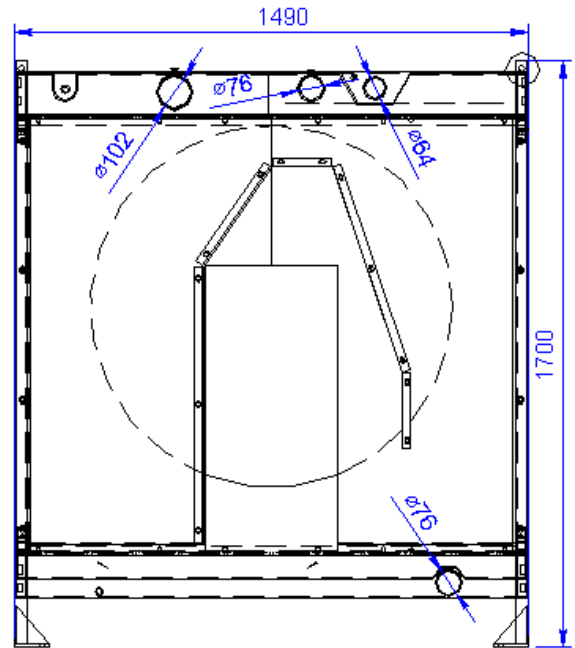
Engine model:John Deer 6135HFG84(401/460KW)  
 Overall dimension:1700(H)\*1490(W)\*672(T)  
 Core size: JW 1260(H)\*1418(W)\*88(T)  
 AC 1255(H)\*1414(W)\*62(T)

54015



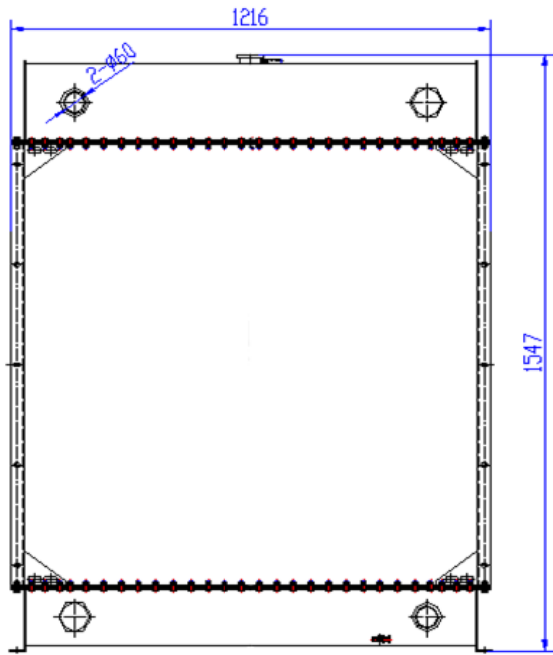
Engine model:John Deer 6135HF485 (460KW)  
Overall dimension:1589(H)\*1490(W)\*592.5(T)  
Core size: JW 1100(H)\*1428.5(W)\*88(T)  
A C 1054(H)\*1341(W)\*62(T)

54016



Engine model:John Deer 6135HFG75(563kw)  
Overall dimension:1700(H)\*1490(W)\*662(T)  
Core size: JW 1260(H)\*1418(W)\*88(T)  
A C 1255(H)\*1414(W)\*62(T)

55001

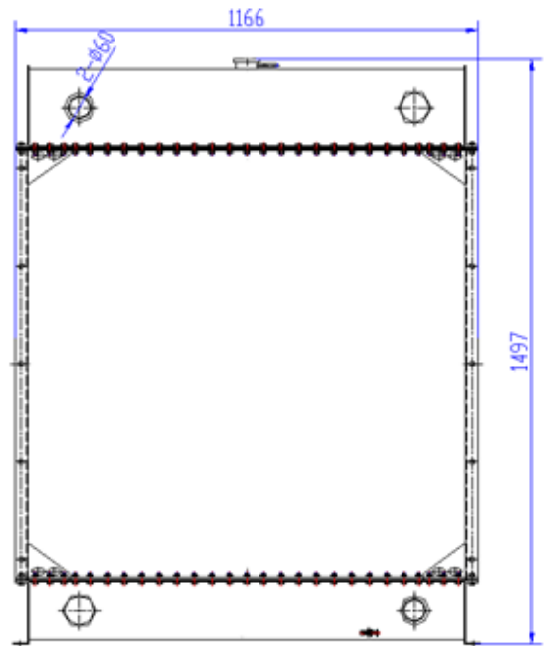


Engine model:

Overall dimension:1547(H)\*1216(W)\*300(T)

Core size: 1150(H)\*1131(W)\*96(T)

55002

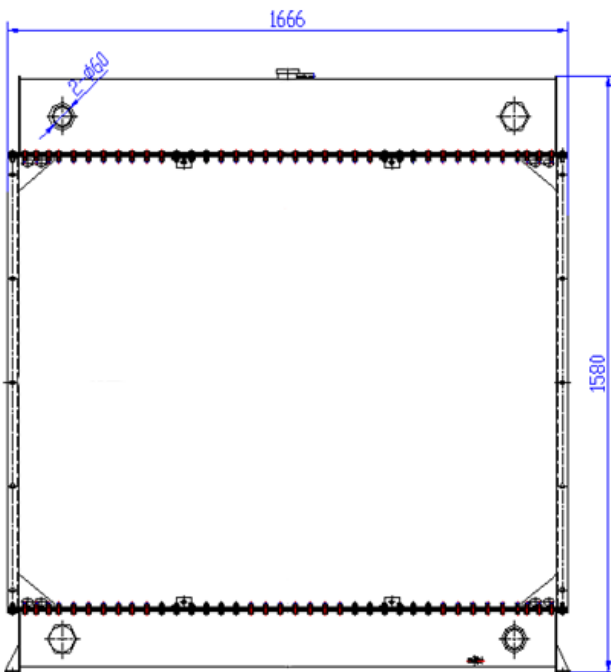


Engine model:

Overall dimension:1497(H)\*1166(W)\*300(T)

Core size: 1100(H)\*1176(W)\*96(T)

55003

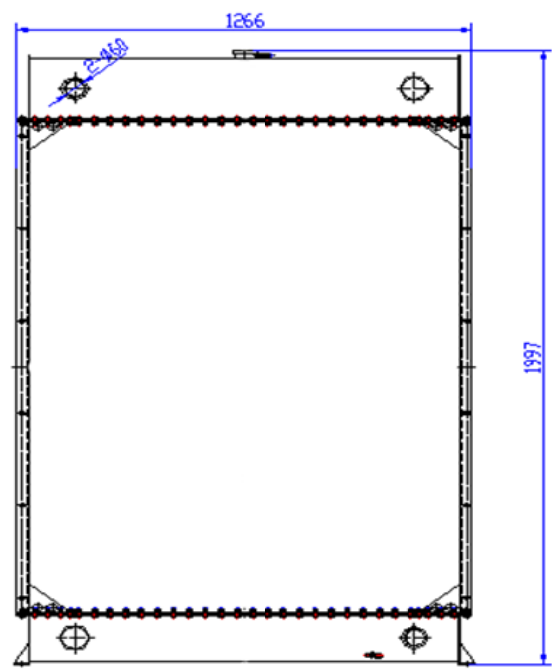


Engine model:

Overall dimension:1580(H)\*1666(W)\*300(T)

Core size: 1200(H)\*1598(W)\*96(T)

54004

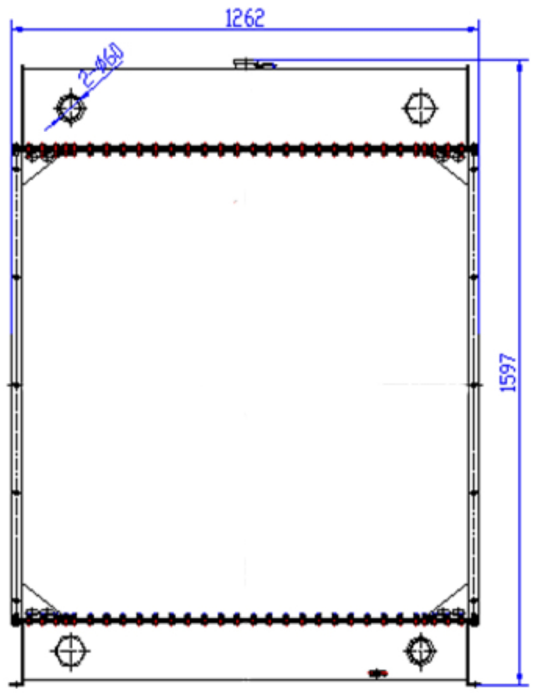


Engine model:

Overall dimension:1997(H)\*1266(W)\*300(T)

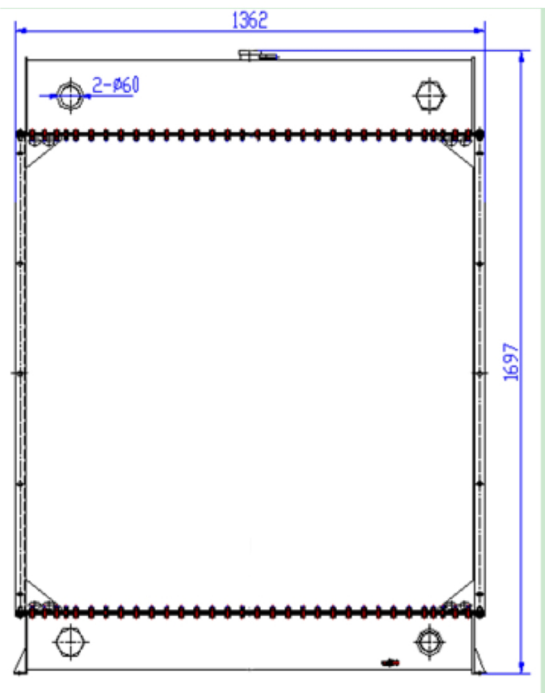
Core size: 1600(H)\*1202(W)\*96(T)

55005



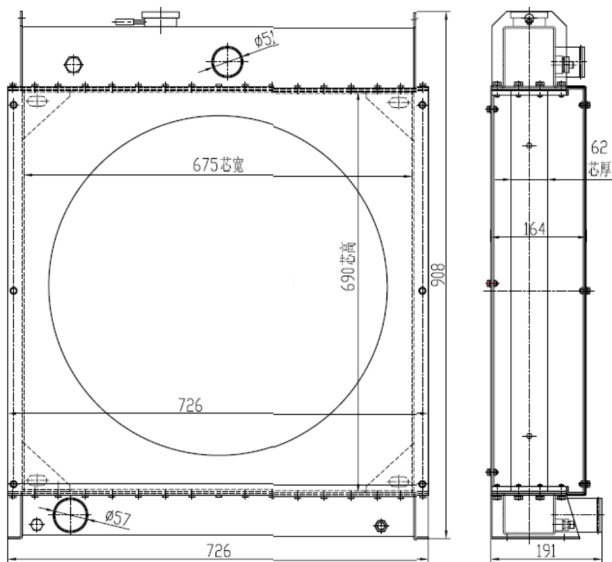
Engine model:  
 Overall dimension:1597(H)\*1262(W)\*300(T)  
 Core size: 1200(H)\*1202(W)\*96(T)

55006



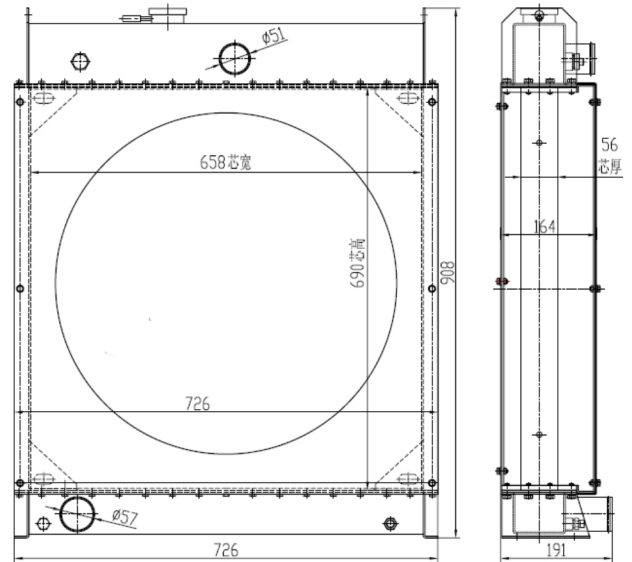
Engine model:  
 Overall dimension:1697(H)\*1362(W)\*300(T)  
 Core size: 1300(H)\*1300(W)\*96(T)

55007



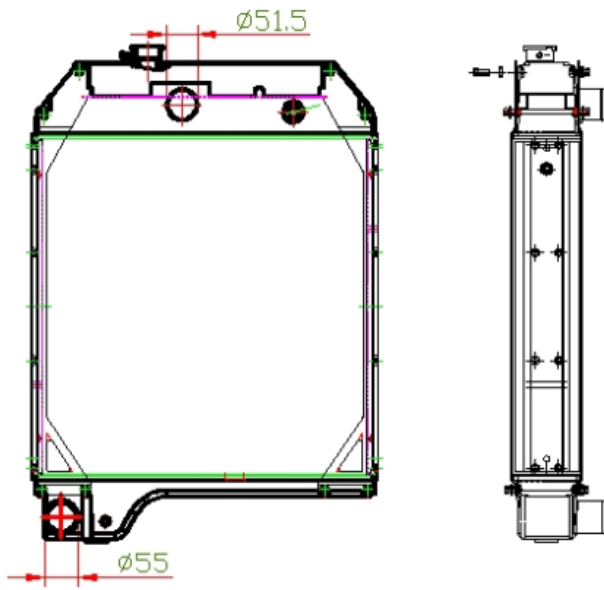
Engine model: PERKINS 1006  
 Overall dimension:908(H)\*726(W)\*191(T)  
 Core size: 690(H)\*675(W)\*62(T)  
 (Copper core)

55008



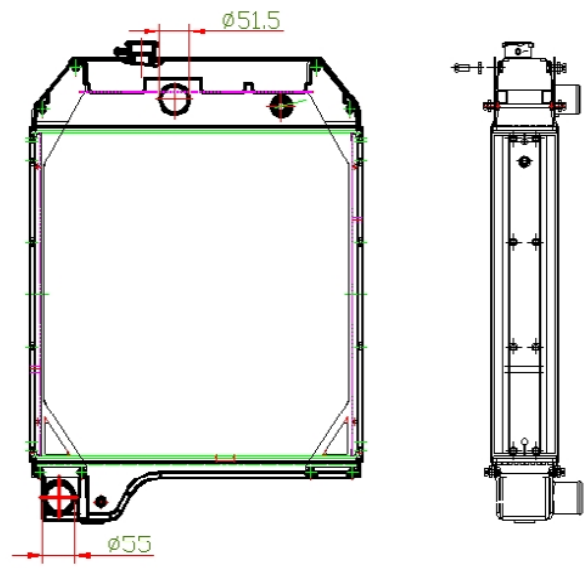
Engine model: PERKINS 1006  
 Overall dimension:908(H)\*726(W)\*191(T)  
 Core size: 690(H)\*658(W)\*56(T)  
 (Aluminum core)

56001



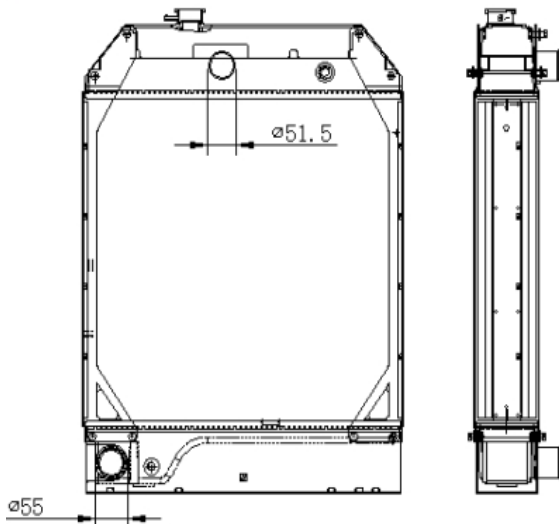
Engine model: DOUIZ  
 Overall dimension: 850\*180\*670  
 Core size: PA 559\*558\*56

56002



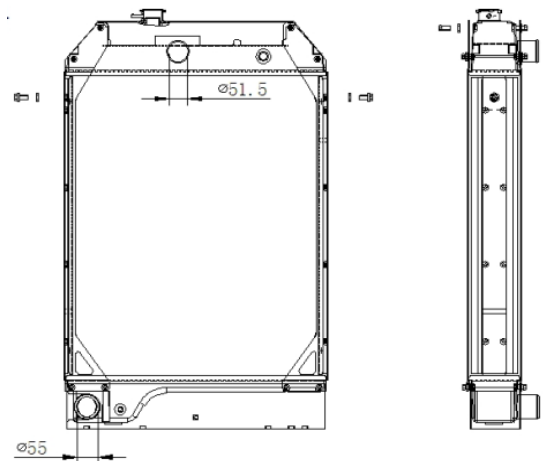
Engine model:  
 Overall dimension:  
 Core size: PA 700\*558\*56

56010

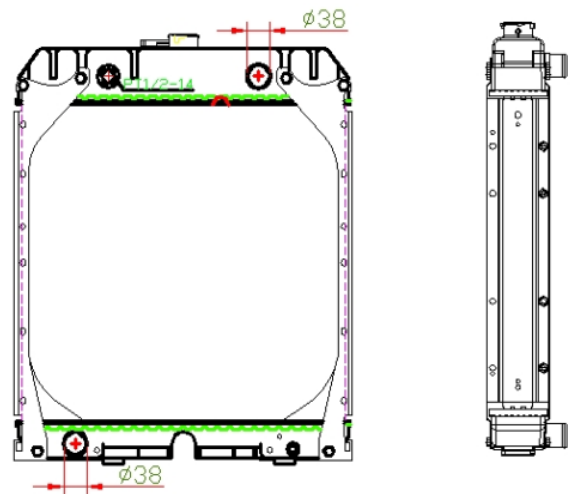
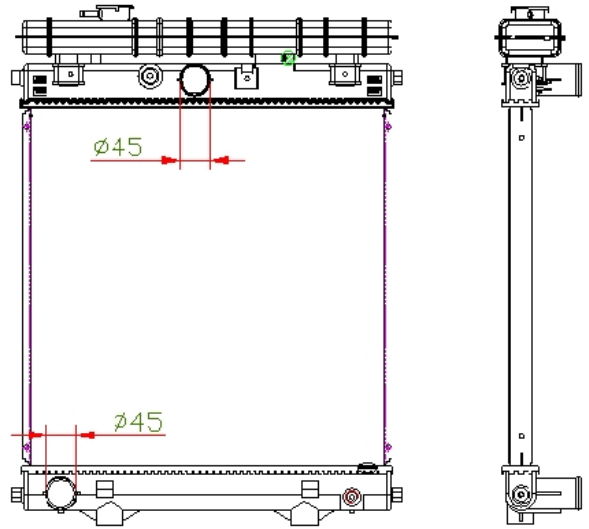


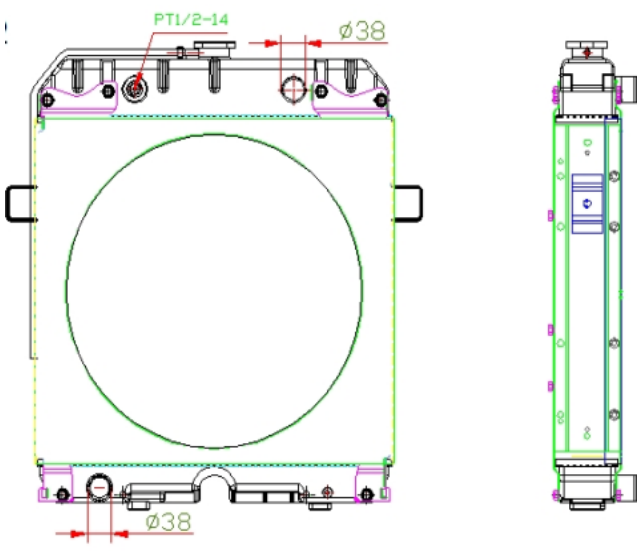
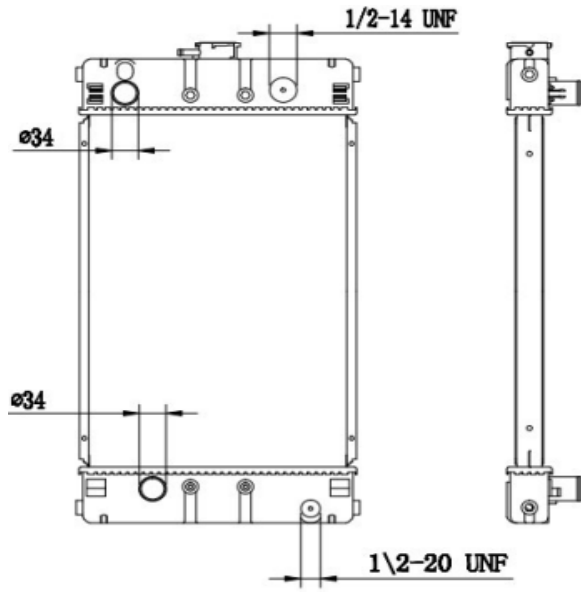
Engine model: DOUIZ  
 Overall dimension:  
 Core size: PA 559\*558\*56

56011

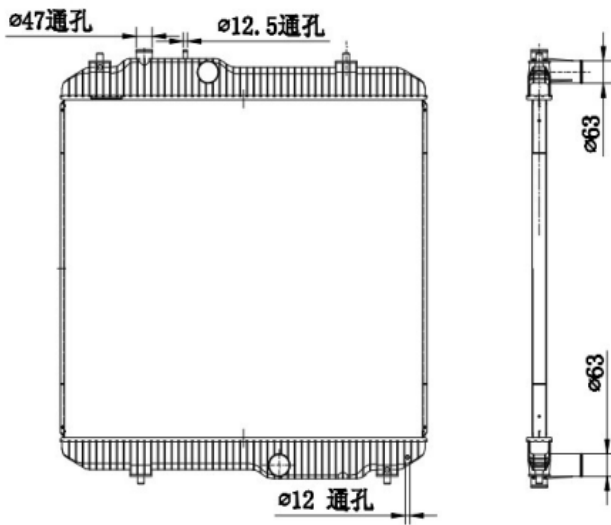


Engine model: DOUIZ  
 Overall dimension:  
 Core size: PA 700\*558\*56

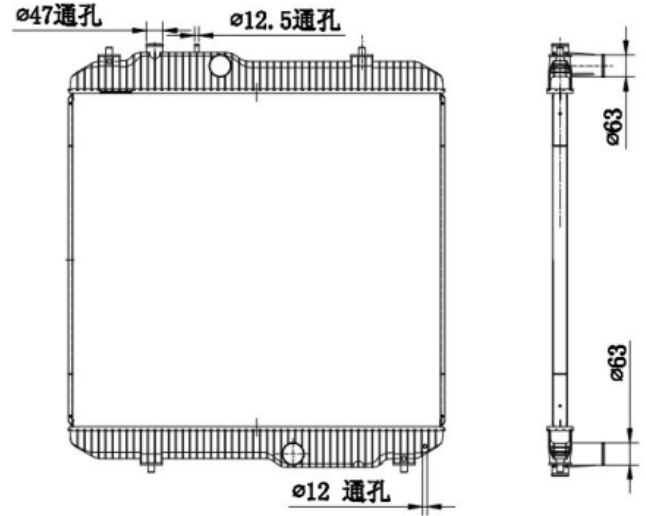
<p>56003</p> 	<p>56004</p> 
<p>Engine model: Perkins  Overall dimension: 730*167*610  Core size: PA 500*538*48  PC 500*538*49</p>	<p>Engine model: MT  Overall dimension:  Core size: PA 520*518*36</p>

<p>56009</p> 	<p>56012</p> 
<p>Engine model: Perkins  Overall dimension: 730*167*610  Core size: PC 500*538*49  PA 500*538*48</p>	<p>Engine model: PERKINS TPN440 MT  Overall dimension:  Core size: PA 500*328*36</p>

56015



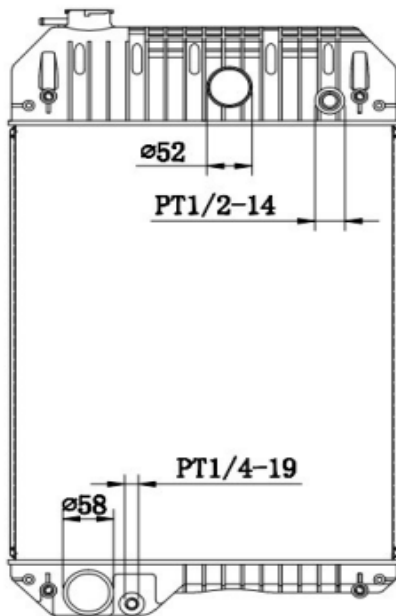
56016



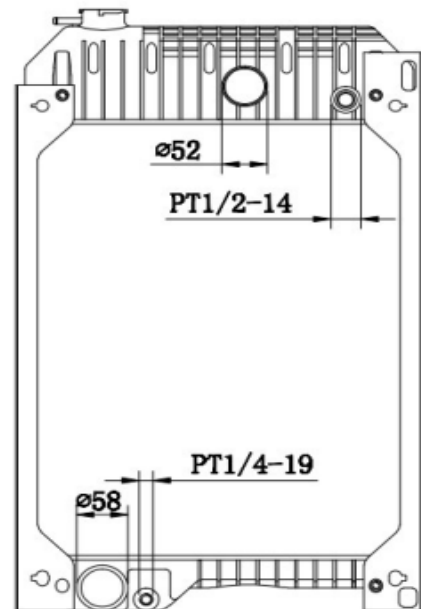
Engine model: GENERATOR RADIATOR  
 Overall dimension:  
 Core size: PA 950\*1048\*48/42

Engine model: GENERATOR RADIATOR  
 Overall dimension:  
 Core size: PA 1180\*1048\*48/42

56020



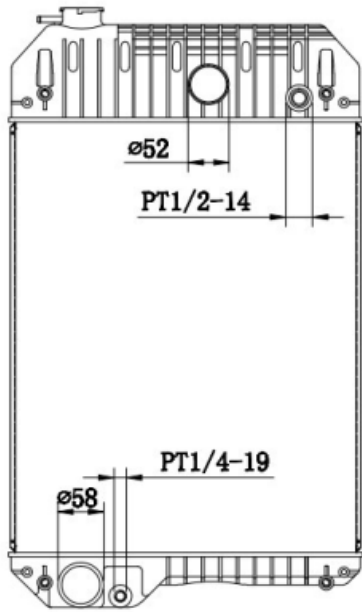
56020F (56017)



Engine model: PERKINS  
 Overall dimension:  
 Core size: PA 570\*438\*104

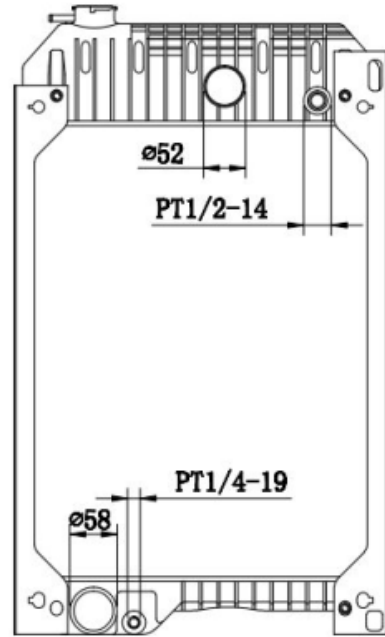
Engine model: PERKINS  
 Overall dimension:  
 Core size: PA 570\*438\*104

56018



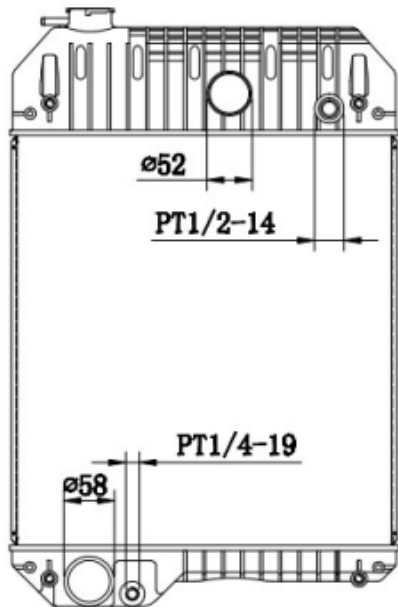
Engine model: PERKINS  
Overall dimension:  
Core size: PA 889\*438\*104

56018F (56026)



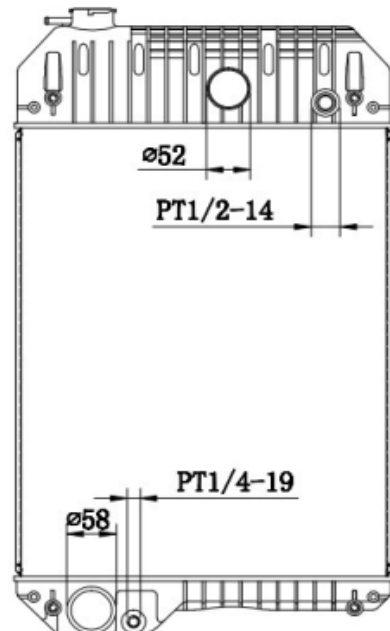
Engine model: PERKINS MT  
Overall dimension:  
Core size: PA 889\*438\*104

56023

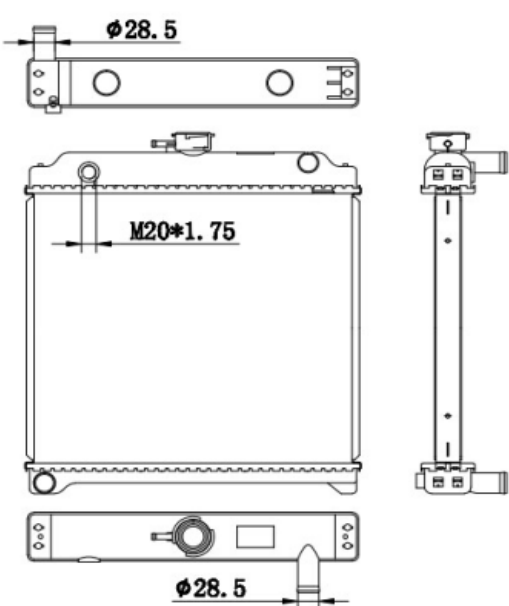
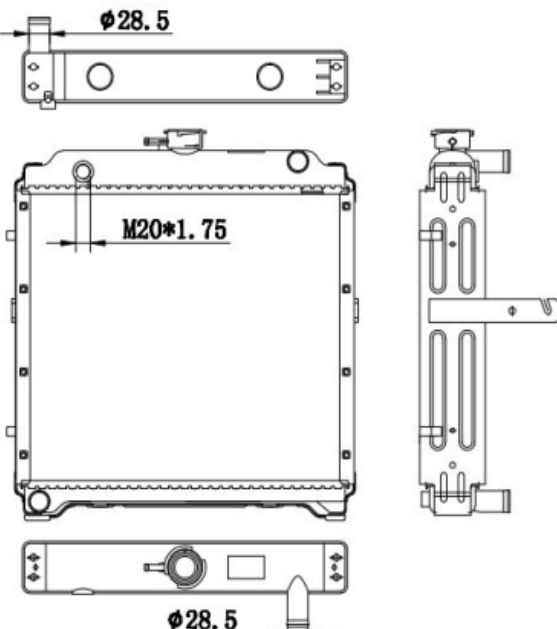


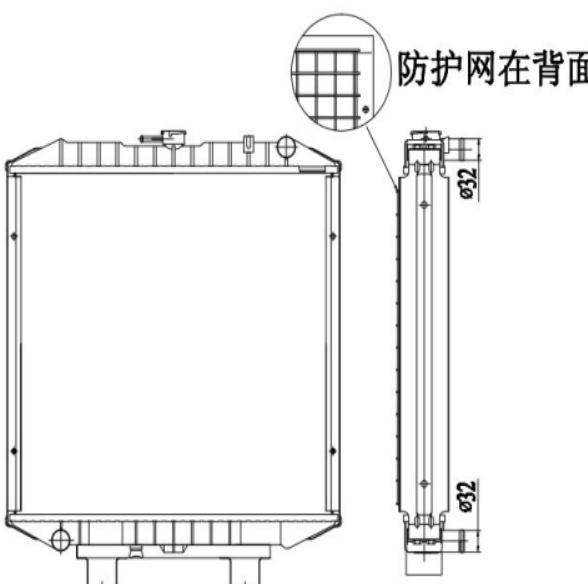
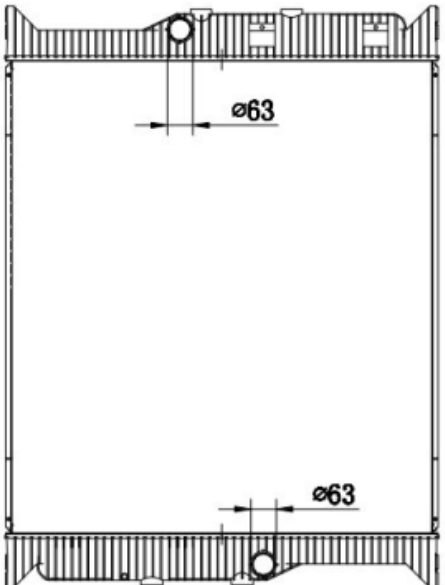
Engine model: PERKINS MT  
Overall dimension: 870\*207\*535  
Core size: PA 490\*438\*104

56021

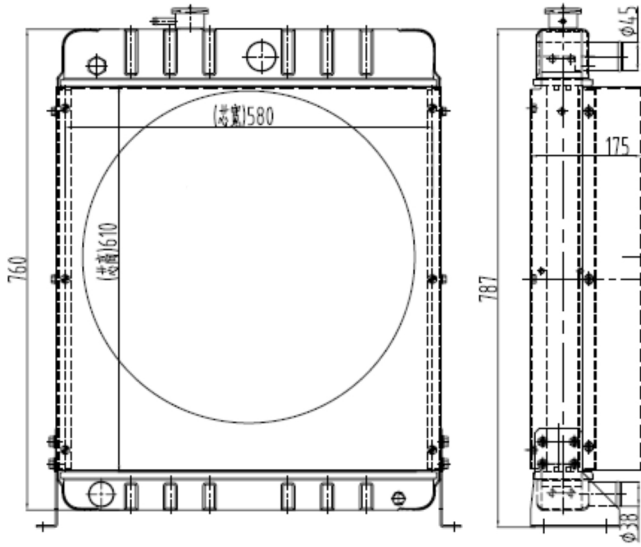


Engine model: PERKINS  
Overall dimension:  
Core size: PA 798\*438\*104

<p>56025</p> 	<p>56025F (56024)</p> 
<p>Engine model: GENERATOR RADIATOR MT Overall dimension: Core size: PA 380*428*36</p>	<p>Engine model: GENERATOR MT Overall dimension: Core size: PA 383*428*36</p>

<p>56028</p> 	<p>56029</p> 
<p>Engine model: GEMERATO MT Overall dimension: 700*130*575 Core size: PA 500*528*26</p>	<p>Engine model: GENERATOR RADIATOR' MT Overall dimension: 1495*220*1100 Core size: PA 1180*1048*48</p>

56030



Engine model: PERKINS 1004  
Overall dimension: 787\*671\*175  
Core size: PA 610\*580\*50